

In-Sash Wood Windows

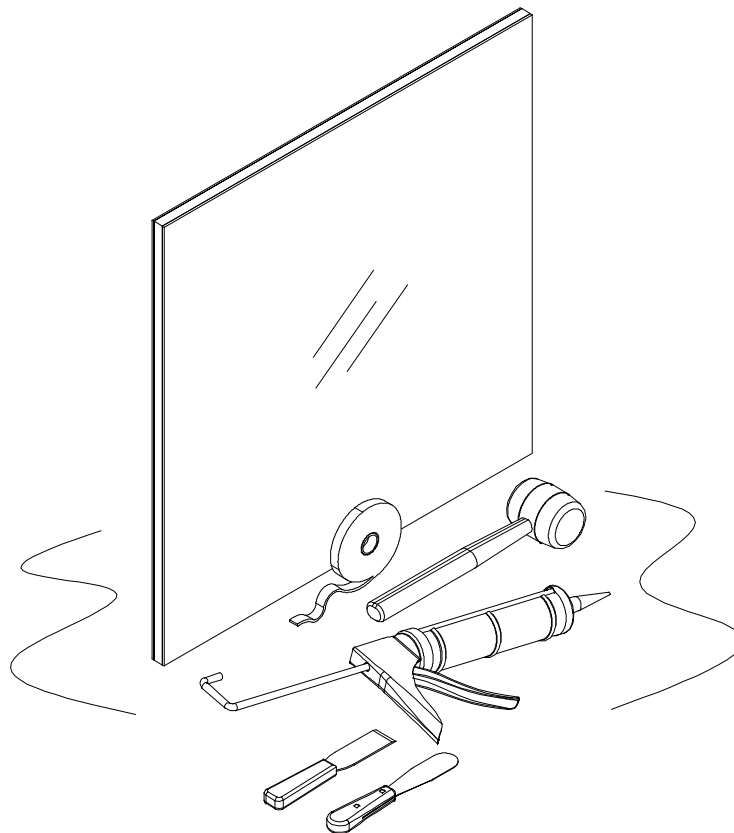
Reglazing Instructions

Exterior Glazed

Casemaster
Awning
French Casemaster
Double Hung
Double Hung Tilt Pac
Double Hung - Magnum
Glider

Interior Glazed

Tilt-Turn/Hopper



BEFORE YOU BEGIN

- Read these instructions thoroughly **BEFORE** beginning to reglaze your Marvin window or door product.
- Alterations to Marvin products including window films, insulating or reflective interior window treatments or additional glazings can cause excessive heat buildup and/or condensation. This may lead to premature failures not covered under warranty by Marvin Windows and Doors.
- Prior to beginning, inspect new glass for: size and type, cracks, scratches, collapse, water spots, dirt or other imperfections.

- Replacement parts listed within these instructions may be obtained by contacting your Marvin representative.

WARNING: Practice safety! Wear safety glasses or goggles and appropriate safety equipment when installing or performing adjustments to a Marvin window or door product.

ATTENTION: Specifications and technical data are subject to change without notice.

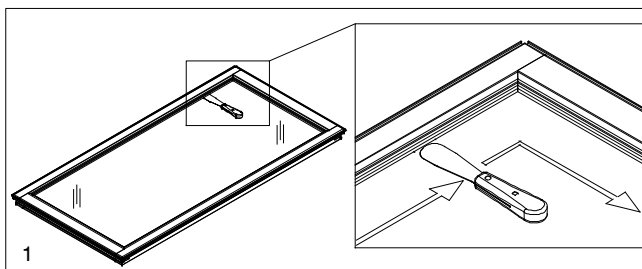
NOTE: Numbers listed in parentheses () are metric equivalents in millimeters rounded to the nearest whole number.

The following **EXTERIOR GLAZED** products incorporate an interior glass rabbet, exterior wood bead, and both interior and exterior sealant glazing: Casemaster, Awning, French Casemaster, Double Hung, Double Hung Tilt-Pac, Magnum-Double Hung and Glider.

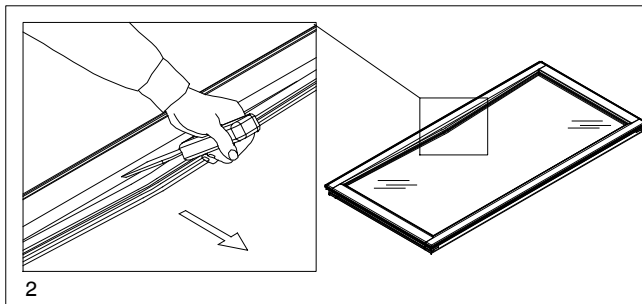
The following **INTERIOR GLAZED** products incorporate an exterior glass rabbet, interior wood bead, exterior sealant glazing and interior glazing tape: Tilt Turn and Hopper.

NOTE: Wood Casemaster sash are shown in the following illustration. Reglazing procedures are identical for all exterior glazed wood products listed above and on cover page.

INDEX	Page
Reglazing Exterior Glazed Sash	3.2.9
Removing Old Glass	3.2.9
Installing New Glass	3.2.10
Reglazing Interior Glazed Sash	3.2.11
Removing Old Glass	3.2.11
Installing New Glass	3.2.11



3. Starting at the center of each piece, remove the wood bead by cutting between the bead and sash with a stiff bladed putty knife, prying the bead away from the sash. See illustration 2.



4. Remove all staples from sash with a side cutter.

CAUTION: If reglazing sash installed, assistance will be necessary while attempting the following procedures. Glass may fall out if not held in place from the exterior while cutting the interior glazing seal.

REGLAZING EXTERIOR GLAZED SASH

STANDARD PARTS NEEDED

- Matching wood glazing bead
- Replacement glass

YOU WILL NEED TO SUPPLY

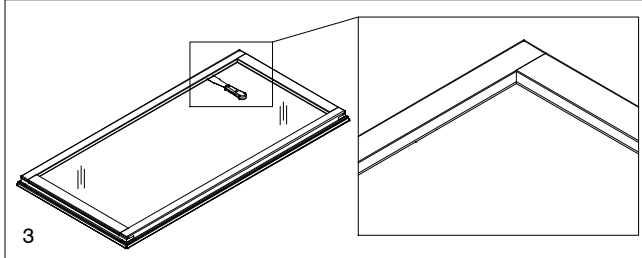
- | | |
|-----------------------------------------|------------------------|
| Safety glasses | Protective gloves |
| Small pry bar | Side cutter |
| Stiff bladed putty knife | Hammer |
| Flexible putty knife | Nail set |
| Wood filler | 7/8" 18 ga. brad nails |
| Grade NS Class 25 sealant per ASTM C920 | |

CAUTION: Use extreme care when reglazing or handling glass. Always use proper eye and hand protection.

Removing Old Glass

1. If possible, remove sash from frame and place on flat sturdy surface exterior side up (stationary sash are normally reglazed in position).
2. Cut the exterior glazing seal by sliding a flexible putty knife between exterior wood bead and glass along the entire perimeter of sash as shown in illustration 1.

- Carefully turn the sash over. Cut the interior glazing seal by sliding a flexible putty knife between interior glass rabbet and glass similar to step 2. See illustration 3. More than one pass may be needed to completely free glass from sash frame. If necessary, carefully push the glass out from interior and remove. Note positions of glass setting blocks, remove and set aside for reuse later.

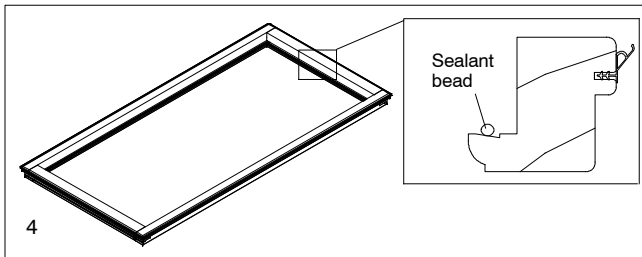


- Clean all remaining glazing sealant from glass rabbet and wood bead (if it is to be reused). It is very important that glazing surfaces are free from debris to ensure a proper seal on new glass.

Installing New Glass

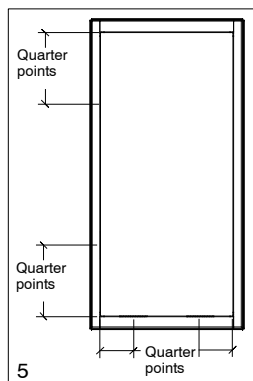
CAUTION: Always wear proper hand protection when handling replacement glass.

- With a caulking gun run a 3/16" (5) bead of sealant in the glazing bevel of glass rabbet as shown in illustration 4.

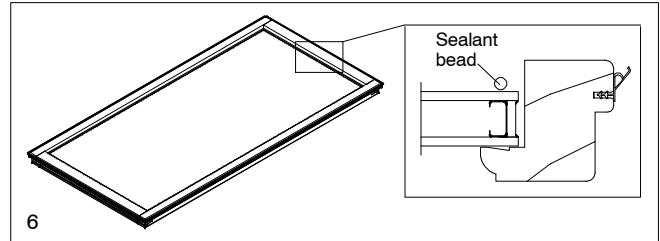


NOTE: If reglazing with sash installed in frame be sure to replace setting blocks on bottom rail prior to installing glass. See illustration below for correct placement of setting blocks.

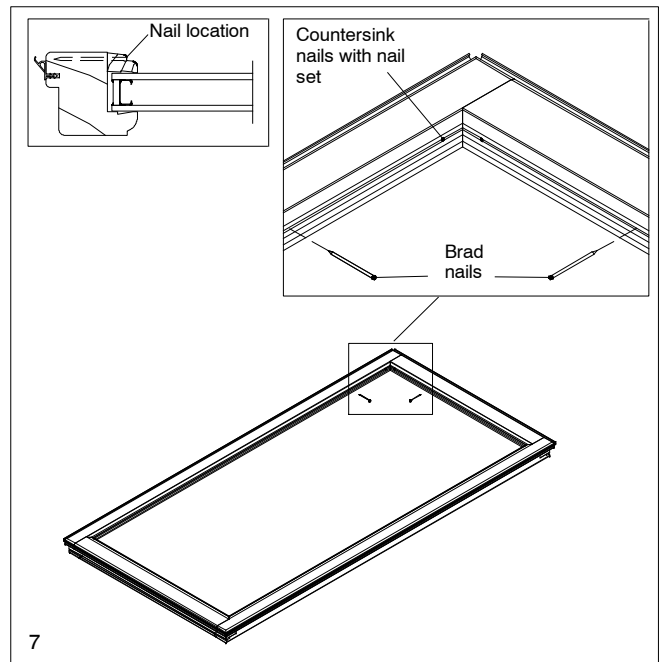
- Carefully set replacement glass into sash. If reglazing with sash installed set bottom of glass on sill then tip into place.
- Glass must be blocked on bottom rail and at least one side at quarter points before the sealant sets. If possible reuse the glass setting blocks removed previously. See illustration 5 for correct location of setting blocks. Press glass into sealant at edges to ensure a proper seal.



- Dry fit replacement exterior wood bead to ensure a proper fit. Some trimming may be necessary. Begin with the shortest pieces first then install the longer pieces. On Round Top units install the radius wood bead first then the bottom rail bead. When all wood bead components fit correctly remove and set aside for use later.
- Apply a continuous 3/16" bead of sealant along the perimeter of the glass. Center the sealant bead directly over the glass spacer as shown in illustration 6.



- Beginning with the shortest pieces (or radius on a round top) press wood bead into place. Some sealant squeeze out should appear.
- When all wood bead is in place press down firmly and nail to sash 1" (25) from each corner and every 4"-6" (102-152) with 7/8" 18 gauge brad nails. See illustration 7. Be careful not to angle nail toward glass. If using a hammer to fasten wood bead, it may be necessary to place a piece of cardboard over glass to avoid damage to glass surface.



- When wood bead is completely fastened, counter sink nails with a nail set.
- Fill in nail holes with wood filler and finish as desired following manufacturer's instructions.

NOTE: Do not clean excess sealant from glass until fully cured (at least 24 hours).

REGLAZING INTERIOR GLAZED SASH

STANDARD PARTS NEEDED

Matching wood glazing bead
Replacement glass
Glazing tape - 1/16" x 5/8"

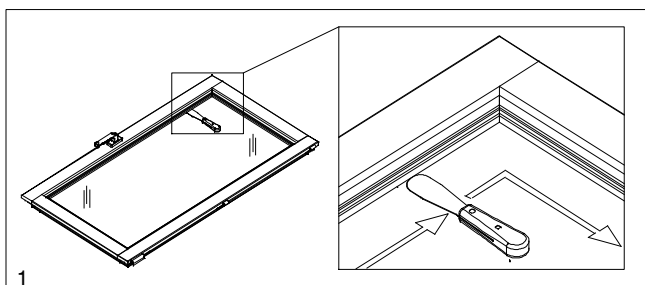
YOU WILL NEED TO SUPPLY

Safety glasses	Protective gloves
Small pry bar	Side cutter
Stiff bladed putty knife	Hammer
Flexible putty knife	Nail set
Wood filler	1 1/2" 16 ga. brad nails
Grade NS Class 25 sealant per ASTM C920	

CAUTION: Use extreme caution when reglazing or handling glass. Always use proper eye and hand protection.

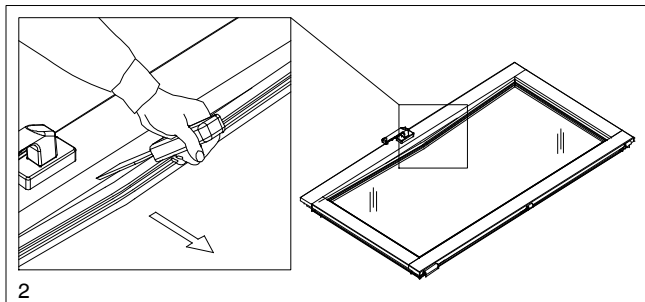
Removing Old Glass

1. If possible, remove sash from frame and place on flat sturdy surface interior side up (stationary sash are normally reglazed in position).
2. Cut the glazing seal by sliding a flexible putty knife between interior wood bead and glass along the entire perimeter of sash as shown in illustration 1.



3. Starting at the center of each piece, remove the wood bead by cutting between the bead and sash with a stiff bladed putty knife. Pry the bead away from the sash. See illustration 2.

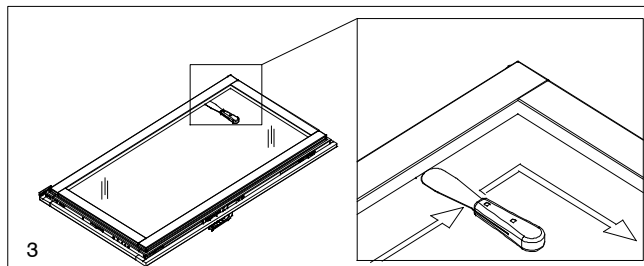
CAUTION: Be careful not to mar the sash while removing the wood bead. If reusing take care not to damage or split wood bead during removal.



4. Remove all staples from sash with a side cutter.

CAUTION: If reglazing sash installed, assistance will be necessary while attempting the following procedures. Glass may fall out if not held in place from the interior while cutting the exterior glaze seal.

5. Carefully turn the sash over. Slide a flexible putty knife between exterior glass rabbet and glass. Push knife around perimeter of glass. See illustration 3. More than one pass may be needed to completely free glass from sash frame. If necessary, carefully push glass out from interior and remove. Note positions of glass setting blocks and set aside for reuse later.

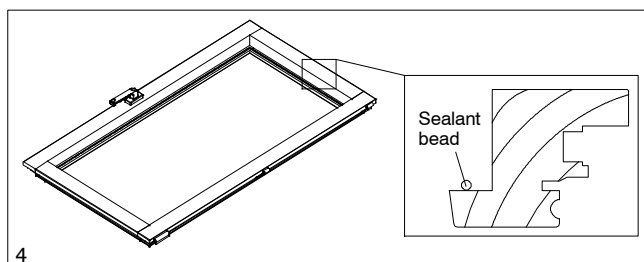


6. Clean all remaining sealant from glass rabbet and wood bead (if it is to be reused). It is very important that glazing surfaces are free from debris to ensure a proper seal on new glass.

Installing New Glass

7. With a caulking gun run a 3/16" (5) bead of sealant centered on the glass rabbet as shown in illustration 4.

CAUTION: Always wear proper hand protection when handling replacement glass.

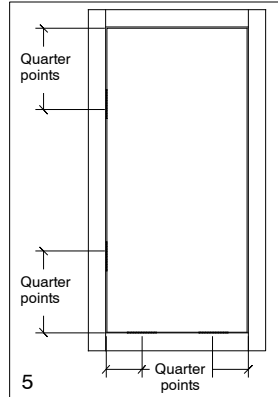


NOTE: If reglazing with sash installed in frame be sure to replace setting blocks on bottom rail prior to installing glass. See illustration below for correct placement of setting blocks.

8. Carefully set replacement glass into sash frame. If reglazing with sash installed set bottom of glass on bottom rail then tip into place.

REGLAZING, IN-SASH WOOD WINDOWS

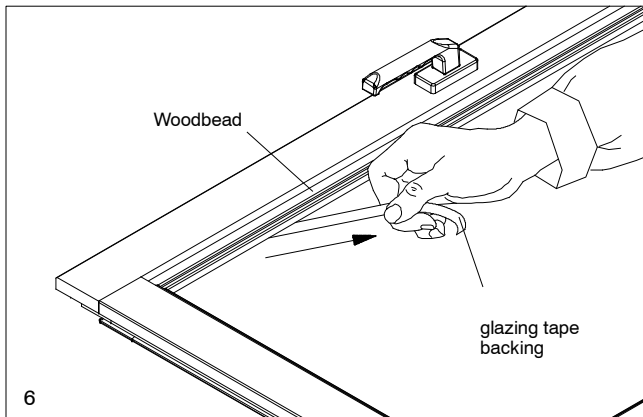
9. Glass must be blocked on the bottom rail and at least one side at quarter points before the sealant sets. If possible reuse the glass setting blocks removed previously. See illustration 5 for correct location of setting blocks. Press glass into sealant at edges to ensure a proper seal.



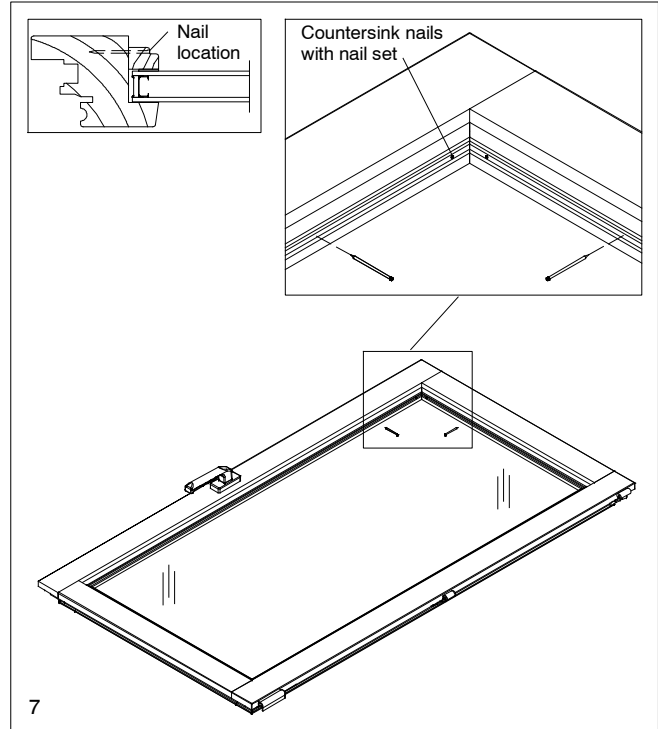
10. Dry fit replacement interior wood bead to ensure a proper fit. Some trimming may be necessary. DO NOT remove backing from glazing tape. Begin with the shortest pieces first then install the longer pieces. On Round Top units install the radius wood bead first then the bottom rail bead. When all wood bead components fit correctly remove and proceed to next step.

NOTE: If reusing old wood bead make sure the bottom side of bead is free from debris or adhesive residue. Apply new glazing tape to the bottom of the wood bead flush with the interior edge.

11. Fold ends of the protective backing on the glazing tape back slightly leaving 1"-2" (25-52) of the glazing tape visible when removed. Beginning with the shortest pieces (or radius on a round top) install wood bead. When properly positioned remove backing and press into place. See illustration 6 .



12. Press down on bead firmly and nail to sash 1" from each corner and every 4"-6" with 1 1/2" 16 gauge brad nails. Be careful not to angle nail toward glass. See illustration 7. If using a hammer to fasten wood bead, it may be necessary to place a piece of cardboard over glass to avoid damage to glass surface.



13. When wood bead is completely fastened, countersink nails with a nail set. Fill nail holes with wood filler and finish as desired following manufacturer's instructions.

NOTE: Do not clean excess sealant from glass until fully cured (at least 24 hours).