

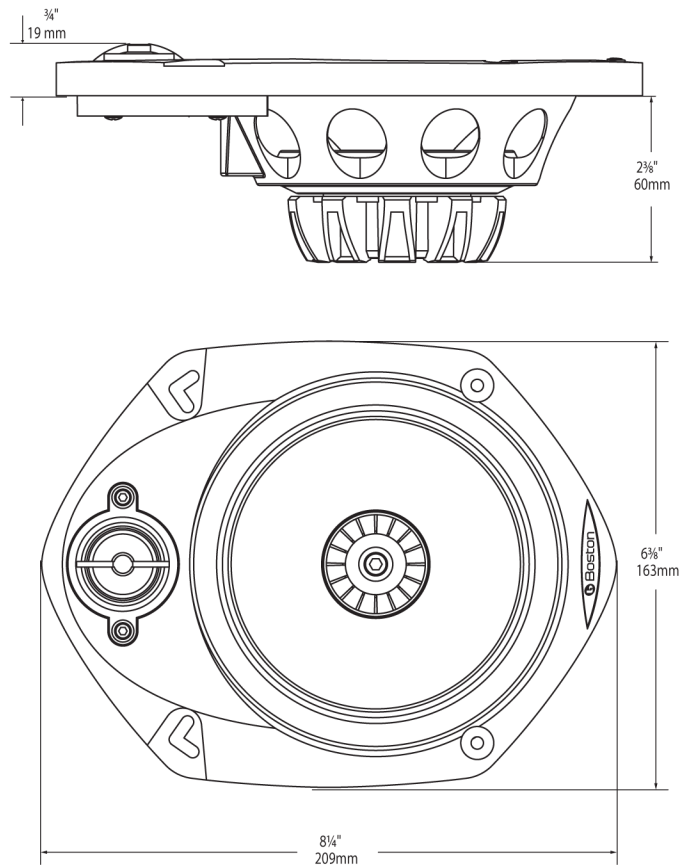
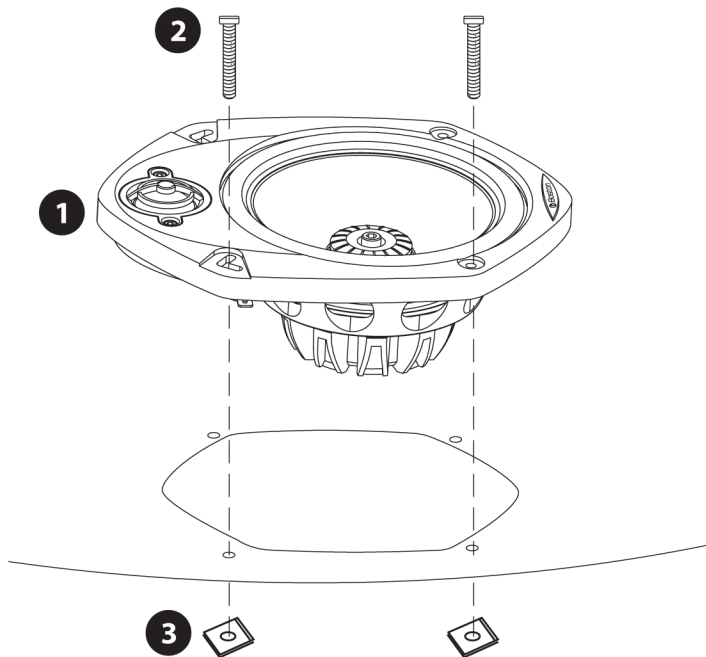
performance component speakers

SR80

#	Description	Quantity
1	SR80 Speaker	2
2	"8 x 1" Self-Tapping Screw	8
3	Speed Clips	8
not shown	Woofer Hardware Package	1
not shown	1/2" Pan Head Screw	2
not shown	Nylon Washer	6
not shown	16AWG Crimp Connectors	4
not shown	Pre Terminated Wires (short)	4

Specifications	SR80
Nominal Size	5 x 7"
RMS Power Handling	75 watts
Peak Power Handling	200 watts
Nominal Impedance	4 ohms
Frequency Response	45Hz-20kHz (±3dB)
Sensitivity	90dB (1watt @ 1meter)

SR80 Installation



Boston Acoustics, Inc. 300 Jubilee Drive, Peabody, MA 01960 USA

T: 978.538.5000 F: 978.538.5100 W: bostonacoustics.com

Boston, Boston Acoustics, and the Boston Acoustics logo are registered trademarks of Boston Acoustics, Inc.

Specifications are subject to change without notice.

© 2009 Boston Acoustics, Inc. All rights reserved. Covered by patents issued and/or pending.