
NO. S051-800

ISSUED: MAR. 26, 2010

REVISED: _____



**HOSHIZAKI
COUNTER SHOWCASE**

**MODEL HNC-120BE-L/R-B
 HNC-150BE-L/R-B
 HNC-180BE-L/R-B
 HNC-210BE-L/R-B**

SERVICE MANUAL

IMPORTANT

This manual should be read carefully before the showcase is serviced or maintenance operations are performed. Only qualified service technicians should install, service, and maintain the showcase. Read the warnings contained in this booklet carefully as they give important information regarding safety. Please retain this booklet for any further reference that may be necessary.

CONTENTS	PAGE
1. SAFETY INSTRUCTIONS-----	1
2. MODEL NAME-----	3
3. OPERATING INSTRUCTIONS-----	4
4. DIMENSIONS/SPECIFICATIONS-----	5
[a] HNC-120BE-L-B-----	5
[b] HNC-120BE-R-B-----	6
[c] HNC-150BE-L-B-----	7
[d] HNC-150BE-R-B-----	8
[e] HNC-180BE-L-B-----	9
[f] HNC-180BE-R-B-----	10
[g] HNC-210BE-L-B-----	11
[h] HNC-210BE-R-B-----	12
5. REFRIGERATION CIRCUIT-----	13
6. WIRING DIAGRAM-----	14
7. CONSTRUCTION-----	15
8. REMOVAL AND REPLACEMENT-----	16
[a] SIDE COVER-----	16
[b] TOP COVER-----	16
[c] FRONT GLASS-----	16
[d] SIDE FRAME-----	17
[e] CENTER FRAME-----	17
[f] HOLDER - EVAPORATOR PIPE-----	17
[g] UNIT-----	17
9. REFRIGERANT SERVICE INFORMATION-----	18
10. CONSTANT PRESSURE EXPANSION VALVE AND REFRIGERANT CHARGE----	19
[a] SPECIFICATIONS-----	19
[b] FUNCTION-----	19

[c] CONSTRUCTION -----	19
[d] REPLACEMENT -----	20
11. SERVICE DIAGNOSIS -----	21

1. SAFETY INSTRUCTIONS

The following instructions contain important safety precautions and should be strictly observed. The terms used here are defined as follows:

⚠ WARNING: There is a possibility of death or serious injury for the service person and a third party or the user due to improper service operations or defects in serviced products.

CAUTION: There is a possibility of injury for the service person and a third party or the user or damage to their property* due to improper service operations or defects in serviced products.

* The term “damage to their property” here refers to extensive damage to household effects, houses and pets.

⚠ WARNING

1. Always ask the user to keep children away from the work area. They may be injured by tools or disassembled products.
2. When there is no need to energize the unit during disassembly or cleaning, be sure to unplug the unit or disconnect the main power supply before servicing the unit to prevent electric shocks.
3. If the unit must be energized for inspection of the electric circuit, use rubber gloves to avoid contact with any live parts resulting in electric shocks.
4. Keep the following in mind when servicing the refrigeration circuit:
 - (1) Be sure to recover the refrigerant. Do not discharge it into the atmosphere. It will affect the environment.
 - (2) Check for any flames in the vicinity, and ensure good ventilation.
 - (3) If the refrigerant should leak in servicing, immediately put out any fire used in the vicinity.
 - (4) When unbrazing the refrigeration circuit connections, check that the circuit is completely evacuated. The refrigerant may produce a poisonous gas when coming in contact with an open flame.
 - (5) Do not braze in an enclosed room to prevent carbon monoxide poisoning.
 - (6) In case of a refrigerant leak, locate and repair the leaking part completely. Leaked refrigerant may produce a poisonous gas when coming in contact with an open flame.

(7) Before servicing, check the surface temperature of the refrigeration circuit to prevent a burn.

5. Keep the following in mind when making electrical connections:

(1) Check for proper grounding connections, and repair if necessary to prevent electric shocks.

(2) Always use service parts intended for the applicable model for replacement of defective parts. Use proper tools to secure the wiring. Otherwise abnormal operation or trouble may occur and cause electric leaks or fire.

(3) Check for proper part installations, wiring conditions and soldered or solderless terminal connections to avoid fire, heat or electric shocks.

(4) Be sure to replace damaged or deteriorated power cords and lead wires to prevent fire, heat or electric shocks.

(5) Cut-off lead wires must be bound using closed end connectors or the like, with their closed ends up to avoid entrance of moisture that could lead to electric leaks or fire.

(6) After servicing, always use a megohmmeter (500V DC) to check for the insulation resistance of at least 1 megohm between the live part (attachment plug) and the dead metal part (grounding terminal).

(7) Do not service the electrical parts with wet hands to prevent electric shocks.

(8) The capacitors used for the compressor and other components may be under high voltage and should be discharged properly before servicing.

CAUTION

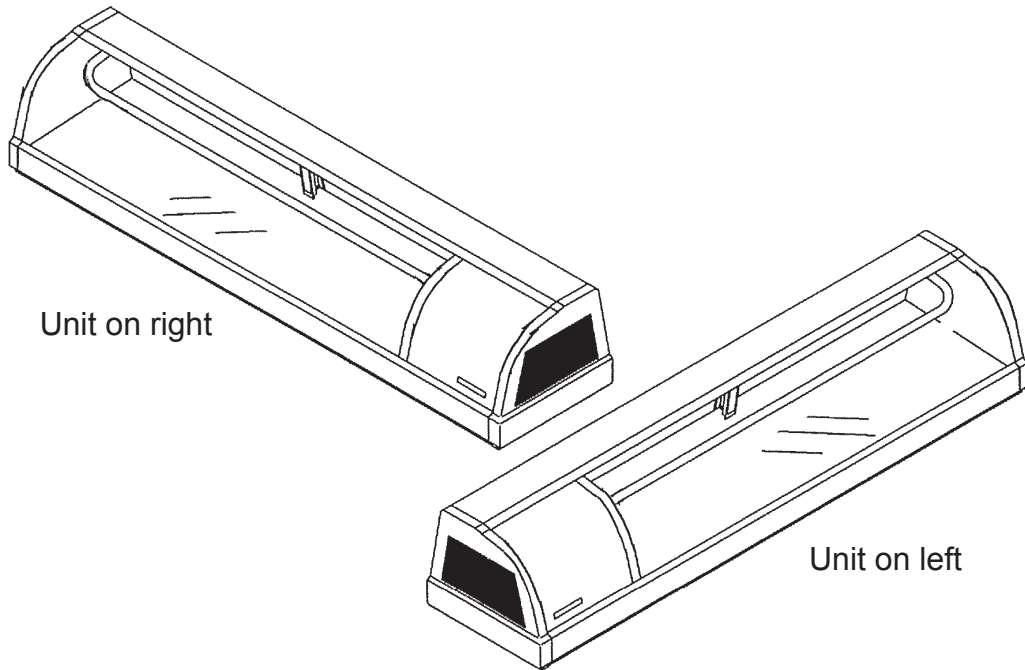
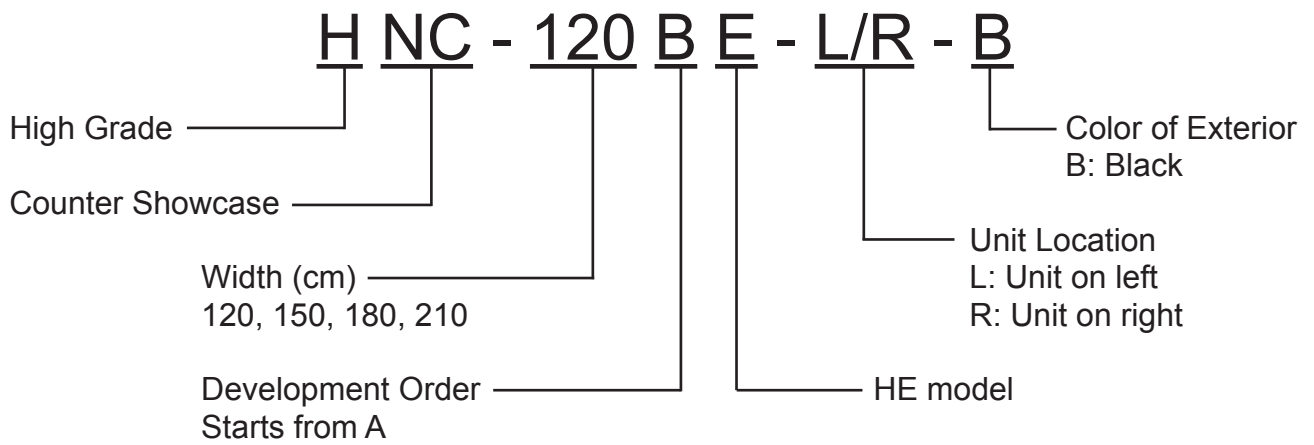
1. After servicing, follow the instructions below:

(1) Check for water leaks in the water supply and drain pipes to prevent damage to the vicinity including household effects.

(2) Always check the unit for proper operation before finishing services.

(3) Be sure to reassemble the parts completely. Loose assembly of such parts as control box cover may cause entrance of vermins resulting in a short circuit between terminals and possible ignition.

2. MODEL NAME



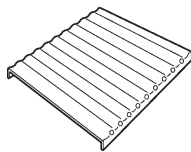
3. OPERATING INSTRUCTIONS

IMPORTANT

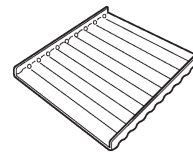
Hoshizaki Counter Showcase is intended for temporary food display. Constructed with much glass, this showcase gives relatively insufficient heat insulation and poor cooling performance compared with refrigerators in general. For safe and efficient operation, be sure to follow the instructions below.

- 1) Do not leave foods in the showcase after service hours, or they may dry or spoil. Foods that should not dry must be covered or wrapped up in a plastic film.
- 2) Store only pre-refrigerated items in the showcase. It takes longer for foods to cool in the showcase than in a refrigerator.
- 3) Do not leave the doors open or open them too frequently. The interior temperature may rise, resulting in food deterioration.
- 4) Do not pack the showcase with foods. The cooling performance may reduce, resulting in food deterioration.
- 5) The showcase should not be exposed to direct sunlight or located next to ovens, grills or other high heat producing equipment. The interior temperature may rise, resulting in food deterioration.
- 6) The ambient temperature should not exceed 30°C. The cooling performance may reduce, resulting in food deterioration.
- 7) The food mount can be used on either side. The food temperature is controllable by turning over the food mount to change the distance from the interior bottom.

Normal condition
When food temperature is too low



For more intensive cooling



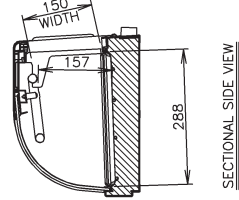
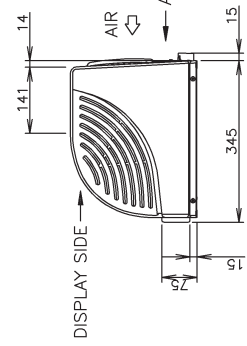
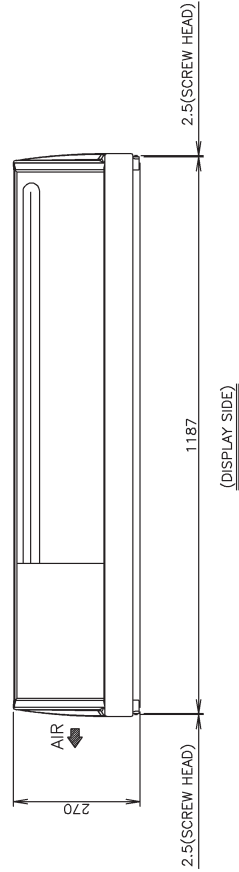
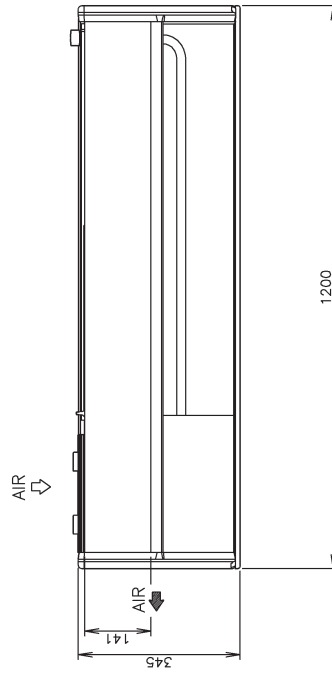
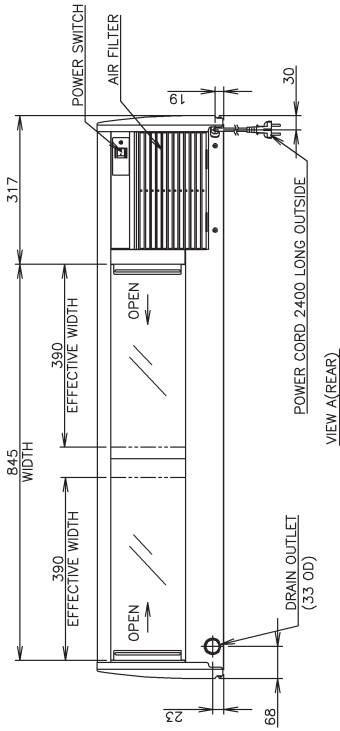
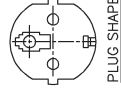
- 8) The maximum safe height for displaying food products is 3.5" (9 cm) above the interior bottom. Food products should not be placed above this height as they may not remain cold enough to avoid spoilage.

4. DIMENSIONS/SPECIFICATIONS

[a] HNC-120BE-L-B

ITEM	Hoshizaki Counter Showcase
MODEL	HNC-120BE-L-B
POWER SUPPLY	1 Phase 220-240V 50Hz Capacity: 0.67kVA (2.8A)
AMPERAGE	Rated: 1.1A Starting: 10A
ELECTRIC CONSUMPTION	150W (Power Factor: 55%)
HEAT REJECTION	350W
POWER CORD	2.4m
EFFECTIVE CAPACITY	42L
OUTSIDE DIMENSIONS	1200mm(W) x 345mm(D) x 270mm(H)
INSIDE DIMENSIONS	845mm(W) x 288mm(D) [Floor] x 157mm(H)
EXTERIOR	Clear Glass, ABS Plastic, PVC Plastic
INTERIOR	Clear Glass, ABS Plastic, Stainless Steel
DOOR	Sliding Glass x 2 [435mm(W) x 172mm(H)]
REFRIGERATION SYSTEM	Convection Cooling
DEFROST SYSTEM	N/A
COMPRESSOR	Hermetic 100W
CONDENSER	Fan and Tube Type (Tubes high 2 rows deep) Cooling Fan Motor provided
EVAPORATOR	(Upper) Tube Type, (Lower) Pipe on Sheet Type
REFRIGERANT	R134a
ELECTRICAL PROTECTION	Earth Leakage Circuit Breaker 15A, Earth Wire
COMPRESSOR PROTECTION	Motor Protector
WEIGHT	Net: 32kg (Gross: 44kg)
PACKAGE	Carton (Wooden Pallet) 1280mm(W) x 415mm(D) x 517mm(H)
ACCESSORIES	Food Mount x 3, Joint x 1, Drain Hose x 1
OPERATING CONDITIONS	Ambient Temperature: 10 - 30°C Voltage Range: Rated Voltage ±6%

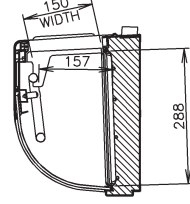
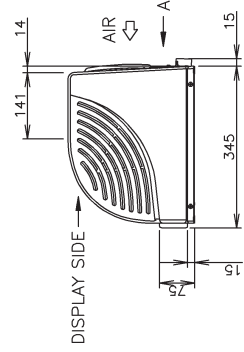
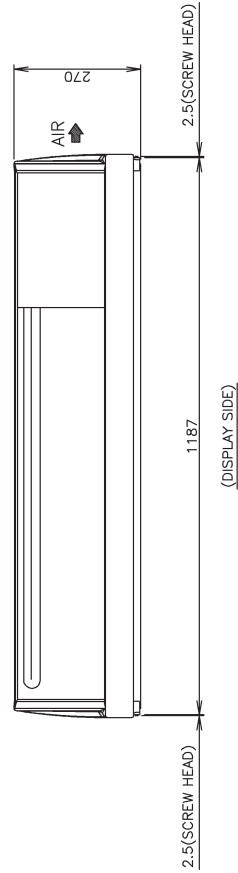
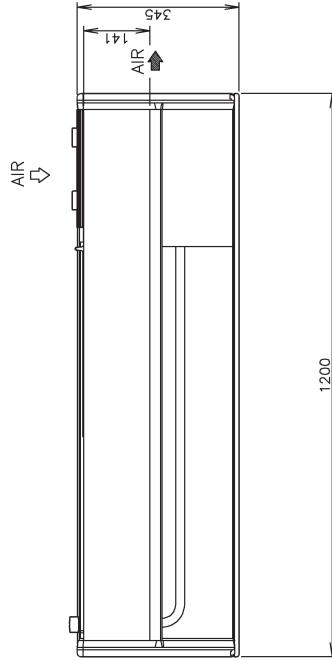
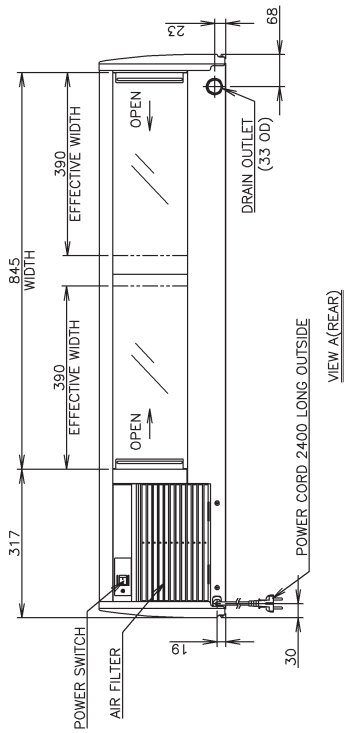
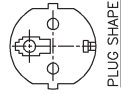
1. Install the sushi case properly in accordance with the instructions on location, water supply/drain connections and electrical connections stated in the instruction manual provided. Allow 10mm extra space at the installation site to meet any installation requirements (additional spacing is also required for proper air flow and water connections).
2. Relative humidity exceeding 60% may result in excessive condensation on the exterior. The food temperature is controllable by turning over the food mounts.
3. The food temperature is controllable by turning over the food mounts.
4. Product Code: S051-C168



[b] HNC-120BE-R-B

ITEM	Hoshizaki Counter Showcase
MODEL	HNC-120BE-R-B
POWER SUPPLY	1 Phase 220-240V 50Hz Capacity: 0.67kVA (2.8A)
AMPERAGE	Rated: 1.1A Starting: 10A
ELECTRIC CONSUMPTION	150W (Power Factor: 55%)
HEAT REJECTION	350W
POWER CORD	2.4m
EFFECTIVE CAPACITY	42L
OUTSIDE DIMENSIONS	1200mm(W) x 345mm(D) x 270mm(H)
INSIDE DIMENSIONS	845mm(W) x 288mm(D) [Floor] x 157mm(H)
EXTERIOR	Clear Glass, ABS Plastic, PVC Plastic
INTERIOR	Clear Glass, ABS Plastic, Stainless Steel
DOOR	Sliding Glass x 2 [435mm(W) x 172mm(H)]
REFRIGERATION SYSTEM	Convection Cooling
DEFROST SYSTEM	N/A
COMPRESSOR	Hermetic 100W
CONDENSER	Fan and Tube type (7 tubes high, 2 rows deep) Coaling Fan Motor provided
EVAPORATOR	(Upper) Tube Type, (Lower) Pipe on Sheet Type
REFRIGERANT	R134a
ELECTRICAL SAFETY PROTECTION	Earth Leakage Circuit Breaker 15A, Earth Wire
COMPRESSOR PROTECTION	Motor Protector
WEIGHT	Net: 32kg (Gross: 44kg)
PACKAGE	Carton (Wooden Pallet) 1280mm(W)x415mm(D)x517mm(H)
ACCESSORIES	Food Mount x 3, Joint x 1, Drain Hose x 1
OPERATING CONDITIONS	Ambient Temperature: 10 - 30°C Voltage Range: Rated Voltage ±6%

1. Install the sushi case properly in accordance with the instructions on location, water supply/drain connections and electrical connections stated in the instruction manual provided. Allow 10mm extra space at the installation site to meet any installation requirements (additional spacing is also required for proper air flow and water connections).
2. Relative humidity exceeding 60% may result in excessive condensation on the exterior.
3. The food temperature is controllable by turning over the food mounts.
4. Product Code: S052-C168

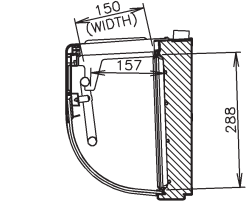
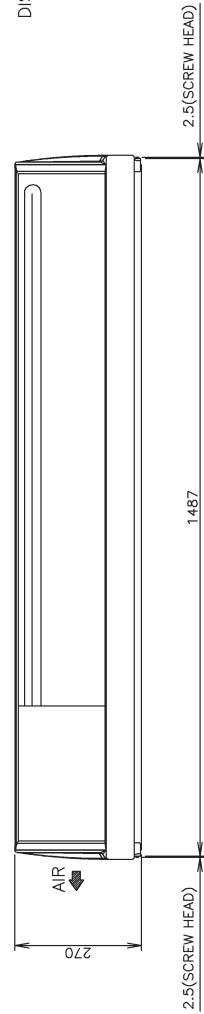
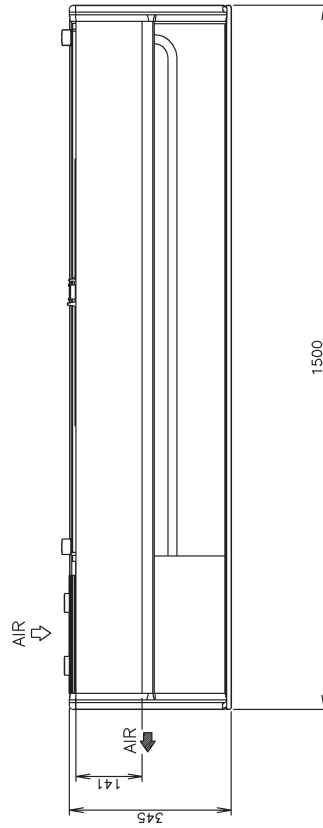
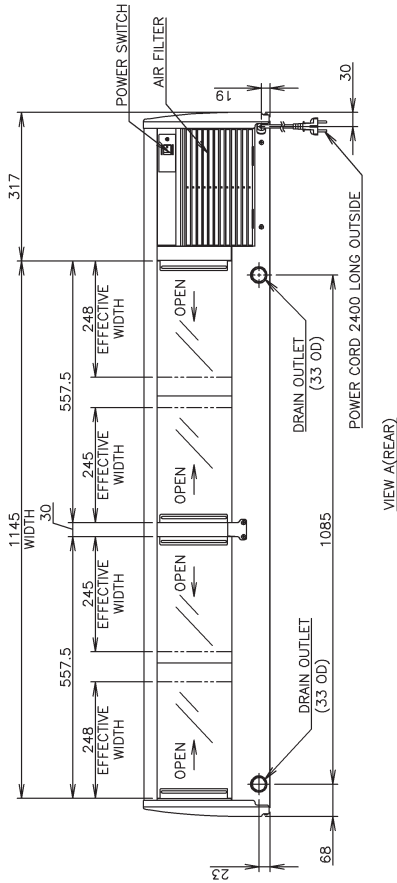
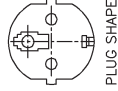


[c] HNC-150BE-L-B

ITEM	Hoshizaki Counter Showcase
MODEL	HNC-150BE-L-B
POWER SUPPLY	1 Phase 220-240V 50Hz Capacity: 0.67kVA (2.8A)
AMPERAGE	Rated: 1.1A Starting: 10A
ELECTRIC CONSUMPTION	150W (Power Factor: 55%)
HEAT REJECTION	360W
POWER CORD	2.4m
EFFECTIVE CAPACITY	57L
OUTSIDE DIMENSIONS	1500mm(W) x 345mm(D) x 270mm(H)
INSIDE DIMENSIONS	1145mm(W) x 288mm(D)[Floor] x 157mm(H)
EXTERIOR	Clear Glass, ABS Plastic, PVC Plastic
INTERIOR	Clear Glass, ABS Plastic, Stainless Steel
DOOR	Sliding Glass x 4 [293mm(W) x 172mm(H)]
REFRIGERATION SYSTEM	Convection Cooling
DEFROST SYSTEM	N/A
COMPRESSOR	Hermetic 100W
CONDENSER	Fin and Tube Type (7 tubes high 2 rows deep) Coating: Fan Motor provided
EVAPORATOR	(Upper) Tube Type, (Lower) Pipe on Sheet Type
REFRIGERANT	R134a
ELECTRICAL PROTECTION	Earth Leakage Circuit Breaker 15A, Earth Wire
COMPRESSOR PROTECTION	Motor Protector
WEIGHT	Net: 37g (Gross: 52kg)
PACKAGE	Carton (Wooden Pallet) 1580mm(W)x415mm(D)x517mm(H)
ACCESSORIES	Food Mount x 4, Joint x 2, Drain Hose x 1
OPERATING CONDITIONS	Ambient Temperature: 10-30°C Voltage Range: Rated Voltage ±6%

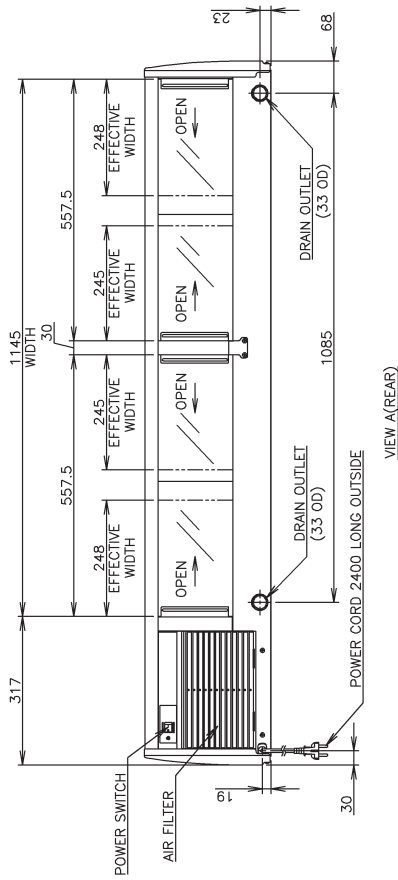
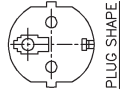


1. Install the sushi case properly in accordance with the instructions on location, water supply/drain connections and electrical connections stated in the instruction manual provided. Allow 10mm extra space at the installation site to meet any installation requirements (additional spacing is also required for proper air flow and water connections).
2. Relative humidity exceeding 60% may result in excessive condensation on the exterior.
3. The food temperature is controllable by turning over the food mounts.
4. Product Code: S053-C168

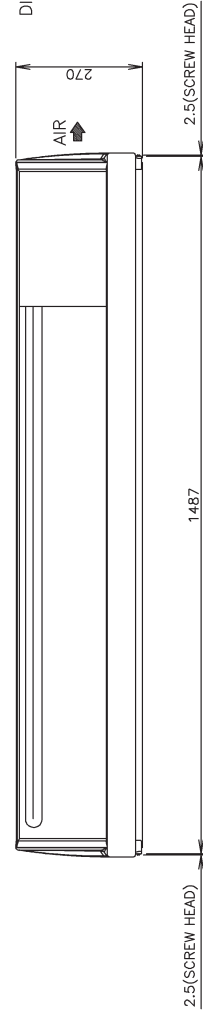
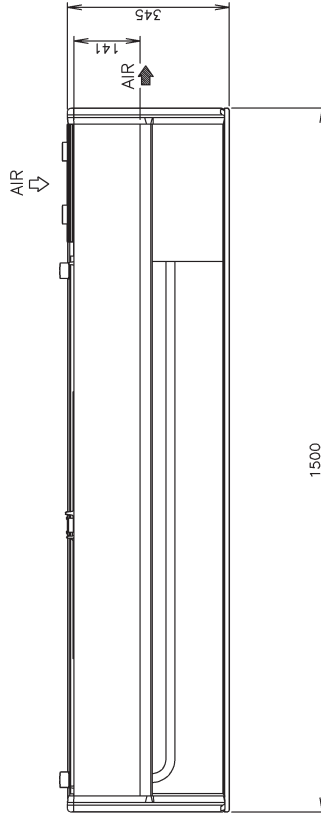


[d] HNC-150BE-R-B

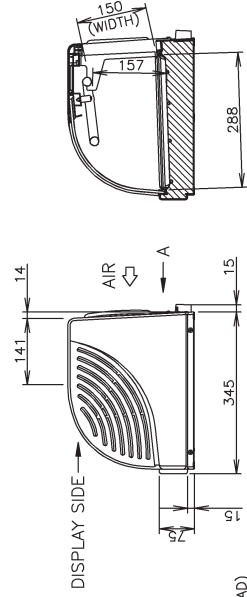
ITEM	Hoshizaki Counter Showcase
MODEL	HNC-150BE-R-B
POWER SUPPLY	1 Phase 220-240V 50Hz Capacity: 0.67kVA (2.8A)
AMPERAGE	Rated: 1.1A Starting: 10A
ELECTRIC CONSUMPTION	150W (Power Factor: 55%)
HEAT REJECTION	360W
POWER CORD	2.4m
EFFECTIVE CAPACITY	57L
OUTSIDE DIMENSIONS	1500mm(W) x 345mm(D) x 270mm(H)
INSIDE DIMENSIONS	1145mm(W) x 288mm(D)[Floor] x 157mm(H)
EXTERIOR	Clear Glass, ABS Plastic, PVC Plastic
INTERIOR	Clear Glass, ABS Plastic, Stainless Steel
DOOR	Sliding Glass x 4 [293mm(W) x 172mm(H)]
REFRIGERATION SYSTEM	Convection Cooling
DEFROST SYSTEM	N/A
COMPRESSOR	Hermetic 100W
CONDENSER	Fin and Tube Type (7 tubes high 2 rows deep) Coating: Fan Motor provided
EVAPORATOR	(Upper) Tube Type, (Lower) Pipe on Sheet Type
REFRIGERANT	R134a
ELECTRICAL PROTECTION	Earth Leakage Circuit Breaker 15A, Earth Wire
COMPRESSOR PROTECTION	Motor Protector
WEIGHT	Net: 37g (Gross: 52kg)
PACKAGE	Carton (Wooden Pallet) 1580mm(W)x415mm(D)x517mm(H)
ACCESSORIES	Food Mount x 4, Joint x 2, Drain Hose x 1
OPERATING CONDITIONS	Ambient Temperature: 10-30°C Voltage Range: Rated Voltage ±6%



VIEW A(REAR)



(DISPLAY SIDE)

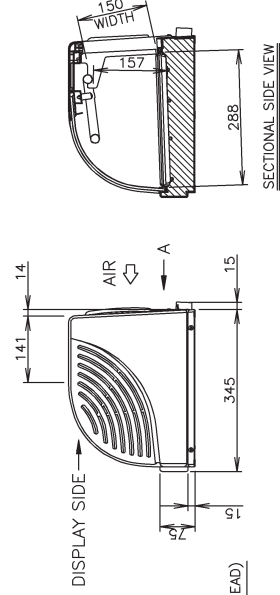
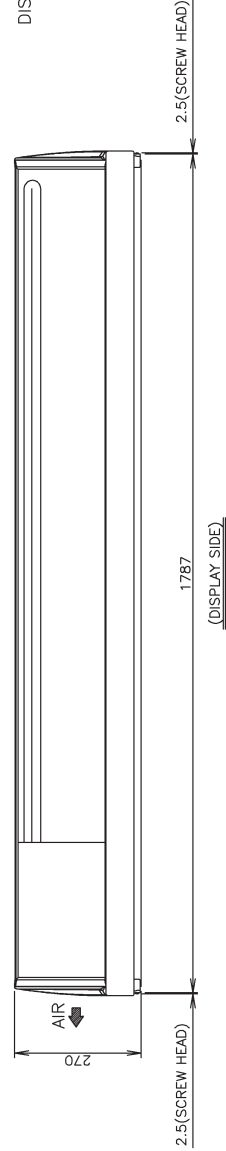
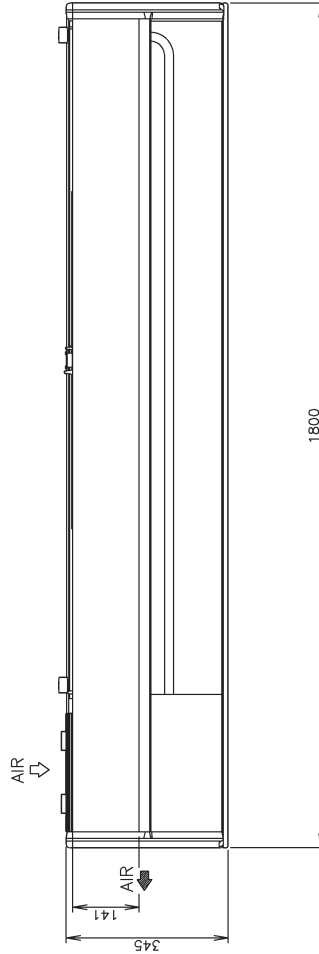
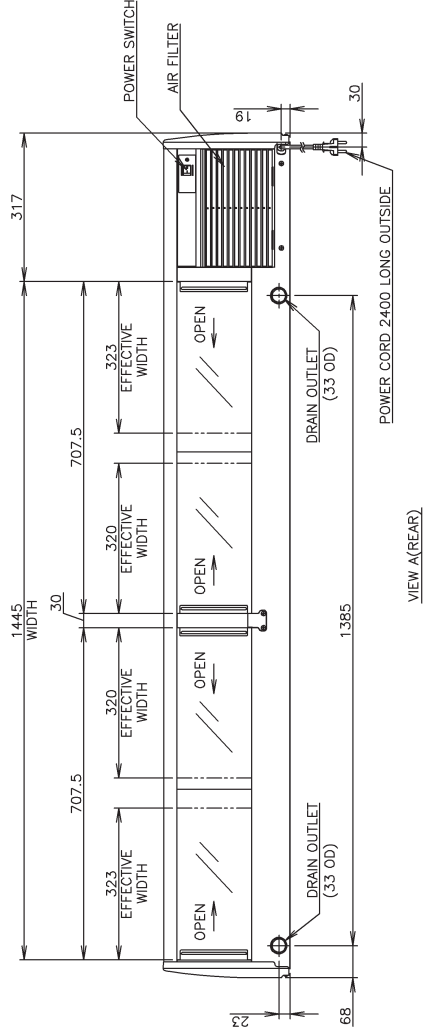
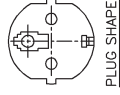


SECTIONAL SIDE VIEW

1. Install the sushi case properly in accordance with the instructions on location, water supply/drain connections and electrical connections stated in the instruction manual provided. Allow 10mm extra space at the installation site to meet any installation requirements (additional spacing is also required for proper air flow and water connections).
2. Relative humidity exceeding 60% may result in excessive condensation on the exterior.
3. The food temperature is controllable by turning over the food mounts.
4. Product Code: S054-C168

[e] HNC-180BE-L-B

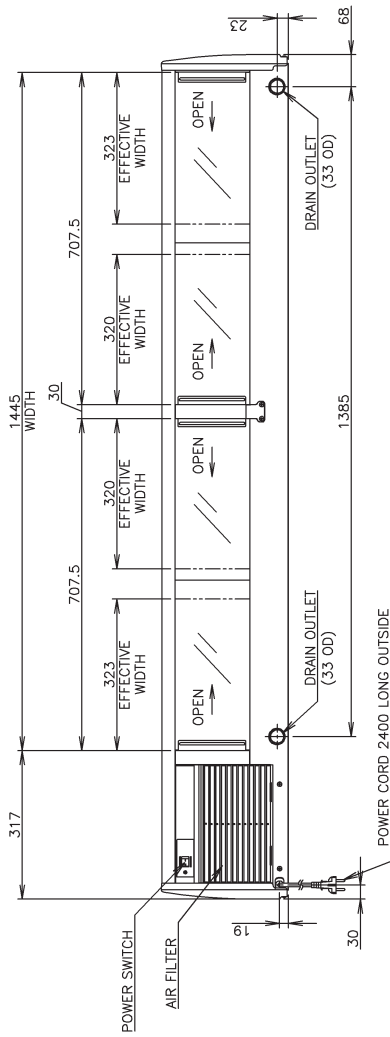
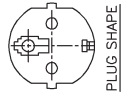
ITEM	Hoshizaki Counter Showcase
MODEL	HNC-180BE-L-B
POWER SUPPLY	1 Phase 220-240V 50Hz Capacity: 0.67kVA (2.8A)
AMPERAGE	Rated: 1.1A Starting: 10A
ELECTRIC CONSUMPTION	150W (Power Factor: 55%)
HEAT REJECTION	370W
POWER CORD	2.4m
EFFECTIVE CAPACITY	72L
OUTSIDE DIMENSIONS	1800mm(W) x 345mm(D) x 270mm(H)
INSIDE DIMENSIONS	1445mm(W) x 288mm(D) [Floor] x 157mm(H)
EXTERIOR	Clear Glass, ABS Plastic, PVC Plastic
INTERIOR	Clear Glass, ABS Plastic, Stainless Steel
DOOR	Sliding Glass x 4 [368mm(W) x 172mm(H)]
REFRIGERATION SYSTEM	Convection Cooling
DEFROST SYSTEM	N/A
COMPRESSOR	Hermetic 100W
CONDENSER	Fin and Tube Type (7 tubes high 2 rows deep) Cooling Fan Motor provided
EVAPORATOR	(Upper) Tube Type, (Lower) Pipe on Sheet Type
REFRIGERANT	R134a
ELECTRICAL PROTECTION	Earth Leakage Circuit Breaker 15A, Earth Wire
COMPRESSOR PROTECTION	Motor Protector
WEIGHT	Net: 42kg (Gross: 60kg)
PACKAGE	Carton (Wooden Pallet) 1880mm(W)x415mm(D)x517mm(H)
ACCESSORIES	Food Mount x 5, Joint x 2, Drain Hose x 1
OPERATING CONDITIONS	Ambient Temperature: 10 - 30°C Voltage Range: Rated Voltage ±6%



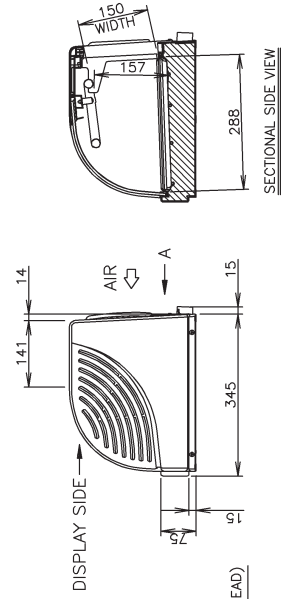
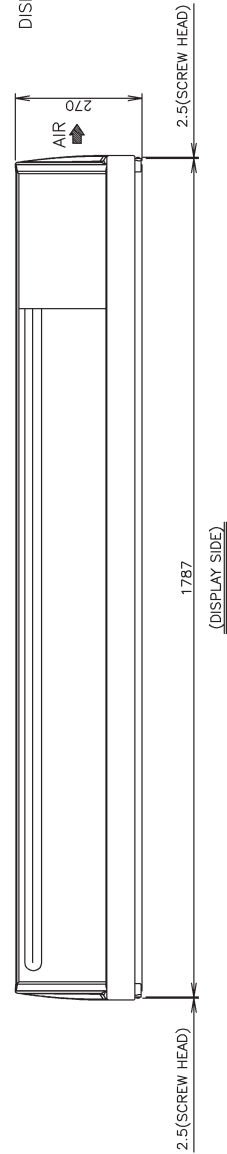
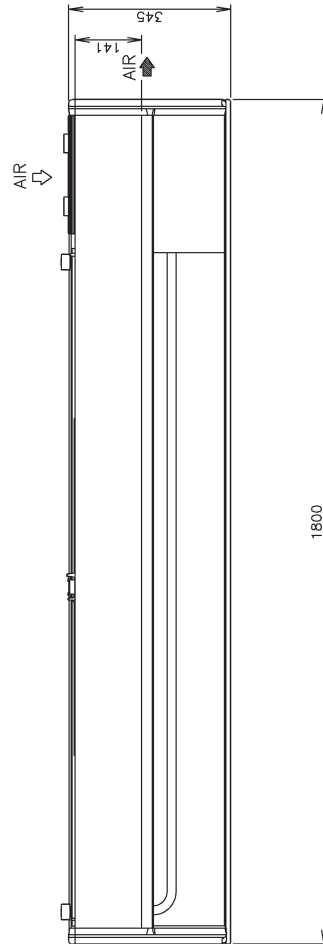
1. Install the sushi case properly in accordance with the instructions on location, water supply/drain connections and electrical connections stated in the instruction manual provided. Allow 10mm extra space at the installation site to meet any installation requirements (additional spacing is also required for proper air flow and water connections).
2. Relative humidity exceeding 60% may result in excessive condensation on the exterior.
3. The food temperature is controllable by turning over the food mounts.
4. Product Code: S055-C168

[f] HNC-180BE-R-B

ITEM	Hoshizaki Counter Showcase
MODEL	HNC-180BE-R-B
POWER SUPPLY	1 Phase 220-240V 50Hz Capacity: 0.67kVA (2.8A)
AMPERAGE	Rated: 1.1A Starting: 10A
ELECTRIC CONSUMPTION	150W (Power Factor: 55%)
HEAT REFLECTION	370W
POWER CORD	2.4m
EFFECTIVE CAPACITY	72L
OUTSIDE DIMENSIONS	1800mm(W) x 345mm(D) x 270mm(H)
INSIDE DIMENSIONS	1445mm(W) x 288mm(D)[Floor] x 157mm(H)
EXTERIOR	Clear Glass, ABS Plastic, PVC Plastic
INTERIOR	Clear Glass, ABS Plastic, Stainless Steel
DOOR	Sliding Glass x 4 [368mm(W) x 172mm(H)]
REFRIGERATION SYSTEM	Convection Cooling
DEFROST SYSTEM	N/A
COMPRESSOR	Hermetic 100W
CONDENSER	Fin and Tube Type (7 tubes high 2 rows deep) Cooling Fan Motor provided
EVAPORATOR	(Upper) Tube Type, (Lower) Pipe on Sheet Type
REFRIGERANT	R134a
ELECTRICAL PROTECTION	Earth Leakage Circuit Breaker 15A, Earth Wire
COMPRESSOR PROTECTION	Motor Protector
WEIGHT	Net: 42kg (Gross: 60kg)
PACKAGE	Carton (Wooden Pallet) 1880mm(W)x415mm(D)x517mm(H)
ACCESSORIES	Food Mount x 5, Joint x 2, Drain Hose x 1
OPERATING CONDITIONS	Ambient Temperature: 10-30°C Voltage Range: Rated Voltage ±6%



VIEW A (REAR)

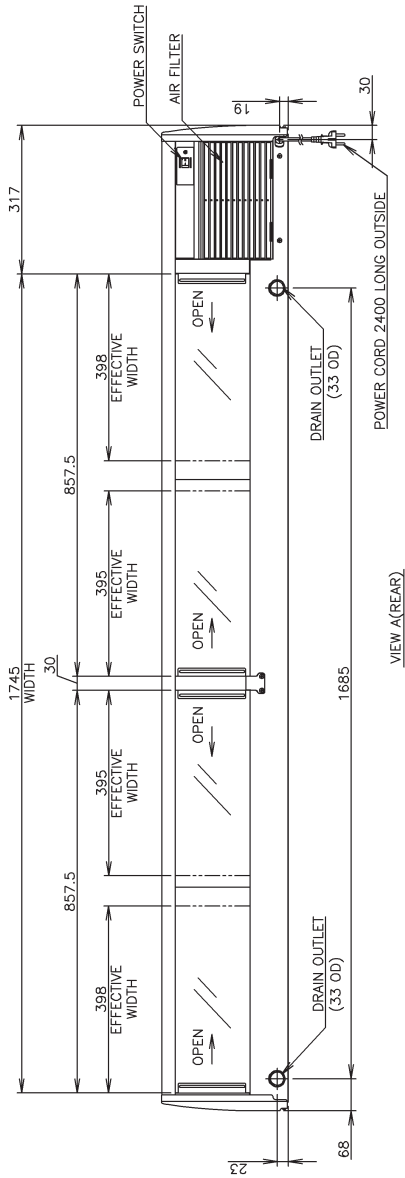


1. Install the sushi case properly in accordance with the instructions on location, water supply/drain connections and electrical connections stated in the instruction manual provided. Allow 10mm extra space at the installation site to meet any installation requirements (additional spacing is also required for proper air flow and water connections).
2. Relative humidity exceeding 60% may result in excessive condensation on the exterior.
3. The food temperature is controllable by turning over the food mounts.
4. Product Code: S056-C168

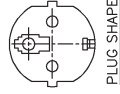
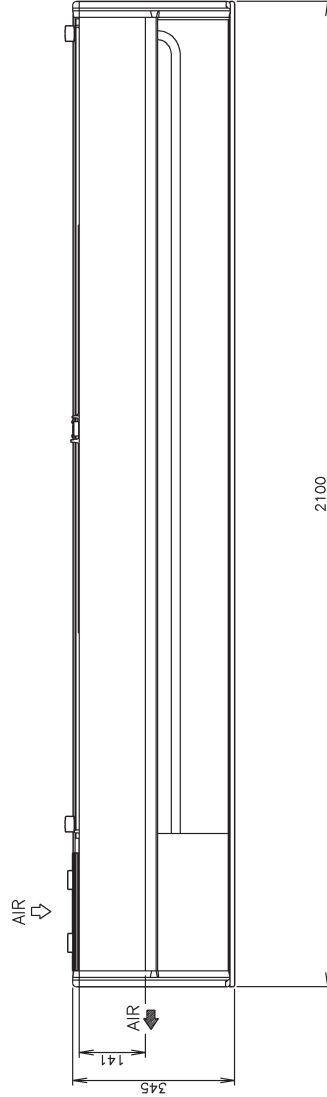
[g] HNC-210BE-L-B

ITEM	Hoshizaki Counter Showcase
MODEL	HNC-210BE-L-B
POWER SUPPLY	1 Phase 220-240V 50Hz Capacity: 0.67kVA (2.8A)
AMPERAGE	Rated: 1.1A Starting: 10A
ELECTRIC CONSUMPTION	150W (Power Factor: 55%)
HEAT REJECTION	380W
POWER CORD	2.4m
EFFECTIVE CAPACITY	87L
OUTSIDE DIMENSIONS	2100mm(W) x 345mm(D) x 270mm(H)
INSIDE DIMENSIONS	1745mm(W) x 288mm(D) [Floor] x 157mm(H)
EXTERIOR	Clear Glass, ABS Plastic, PVC Plastic
INTERIOR	Clear Glass, ABS Plastic, Stainless Steel
DOOR	Sliding Glass x 4 [443mm(W) x 172mm(H)]
REFRIGERATION SYSTEM	Convection Cooling
DEFROST SYSTEM	N/A
COMPRESSOR	Hermetic 100W
CONDENSER	Fin and Tube Type (7 tubes high 2 rows deep) Cooling Fan Motor provided
EVAPORATOR	(Upper) Tube Type, (Lower) Pipe on Sheet Type
REFRIGERANT	R134a
ELECTRICAL PROTECTION	Earth Leakage Circuit Breaker 15A, Earth Wire
COMPRESSOR PROTECTION	Motor Protector
WEIGHT	Net: 47kg (Gross: 68kg)
PACKAGE	Carton (Wooden Pallet) 2180mm(W) x 415mm(D) x 517mm(H)
ACCESSORIES	Food Mount x 6, Joint x 2, Drain Hose x 1
OPERATING CONDITIONS	Ambient Temperature: 10 - 30°C Voltage Range: Rated Voltage ±6%

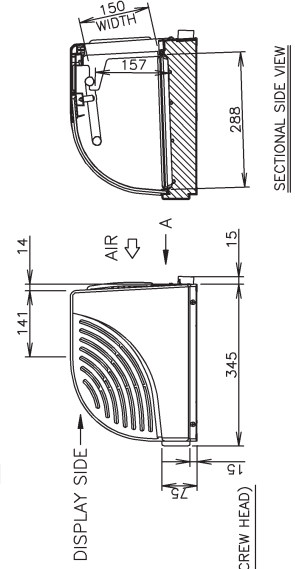
1. Install the sushi case properly in accordance with the instructions on location, water supply/drain connections and electrical connections stated in the instruction manual provided.
Allow 10mm extra space at the installation site to meet any installation requirements (additional spacing is also required for proper air flow and water connections).
2. Relative humidity exceeding 60% may result in excessive condensation on the exterior.
3. The food temperature is controllable by turning over the food mounts.
4. Product Code: S057-C168



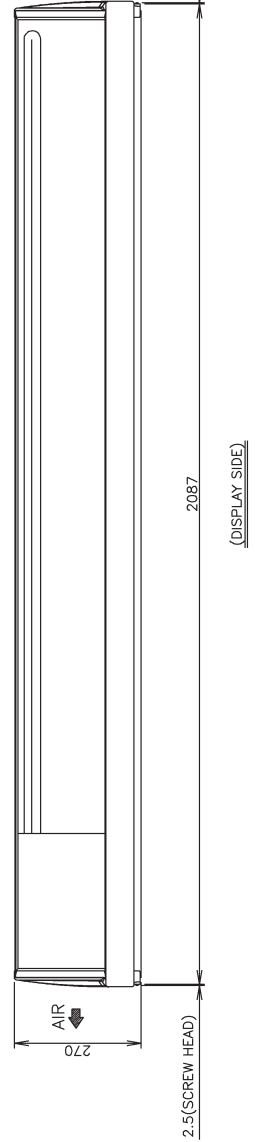
VIEW A (REAR)



PLUG SHAPE



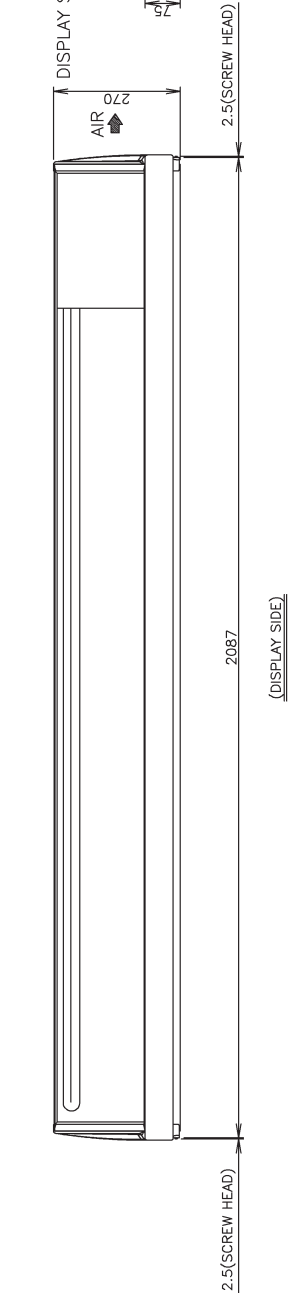
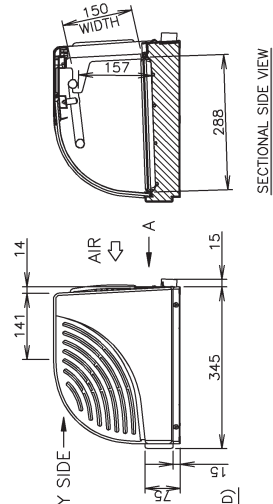
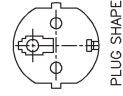
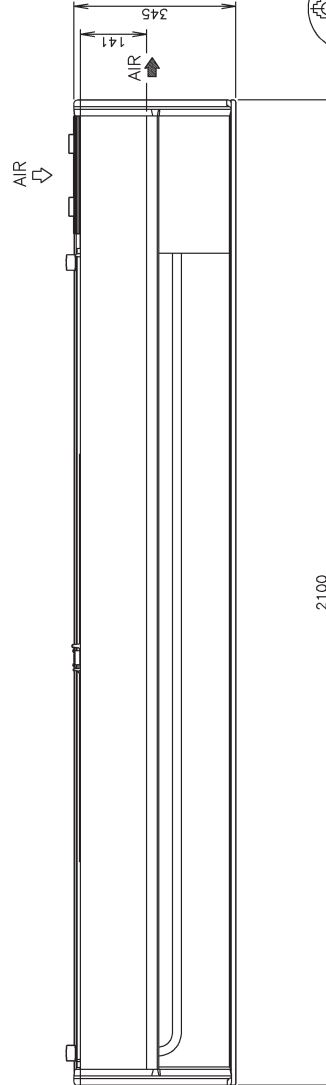
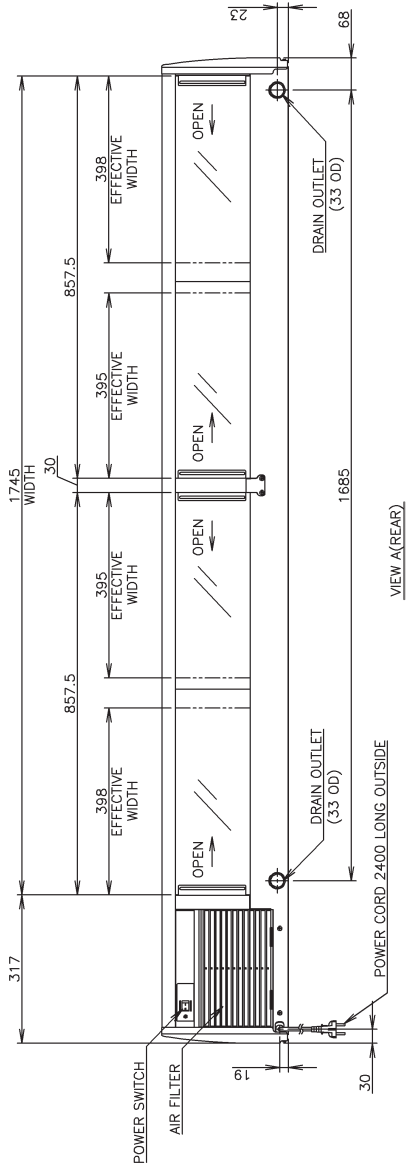
SECTIONAL SIDE VIEW



(DISPLAY SIDE)

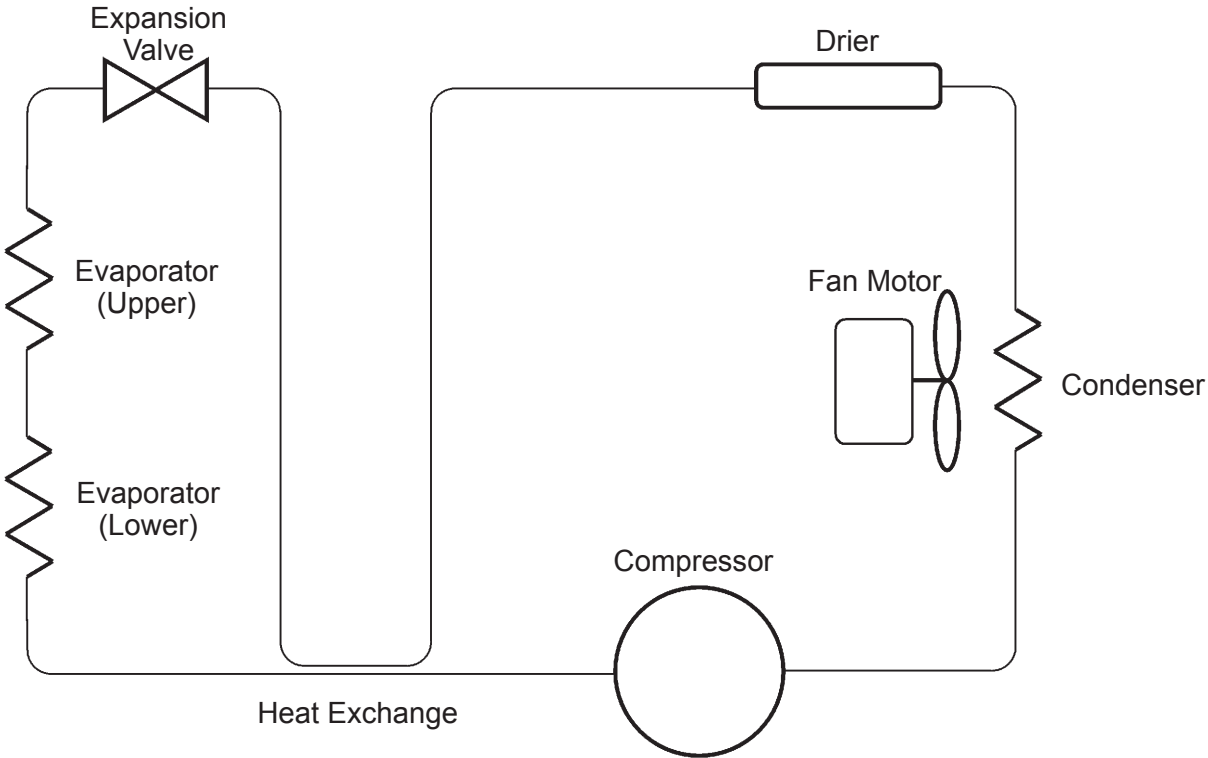
[h] HNC-210BE-R-B

ITEM	Hoshizaki Counter Showcase
MODEL	HNC-210BE-R-B
POWER SUPPLY	1 Phase 220-240V 50Hz Capacity: 0.67kVA (2.8A)
AMPERAGE	Rated: 1.1A Starting: 10A
ELECTRIC CONSUMPTION	150W (Power Factor: 55%)
HEAT REJECTION	380W
POWER CORD	2.4m
EFFECTIVE CAPACITY	87L
OUTSIDE DIMENSIONS	2100mm(W) x 345mm(D) x 270mm(H)
INSIDE DIMENSIONS	1745mm(W) x 288mm(D)[Floor] x 157mm(H)
EXTERIOR	Clear Glass, ABS Plastic, PVC Plastic
INTERIOR	Clear Glass, ABS Plastic, Stainless Steel
DOOR	Sliding Glass x 4 [443mm(W) x 172mm(H)]
REFRIGERATION SYSTEM	Convection Cooling
DEFROST SYSTEM	N/A
COMPRESSOR	Hermetic 100W
CONDENSER	Fin and Tube Type (7 tubes high 2 rows deep) Cooling Fan Motor provided
EVAPORATOR	(Upper) Tube Type, (Lower) Pipe on Sheet Type
REFRIGERANT	R134a
ELECTRICAL PROTECTION	Earth Leakage Circuit Breaker 15A, Earth Wire
COMPRESSOR PROTECTION	Motor Protector
WEIGHT	Net: 47kg (Gross: 68kg)
PACKAGE	Carton (Wooden Pallet) 2180mm(W)x415mm(D)x517mm(H)
ACCESSORIES	Food Mount x 6, Joint x 2, Drain Hose x 1
OPERATING CONDITIONS	Ambient Temperature: 10-30°C Voltage Range: Rated Voltage ±6%



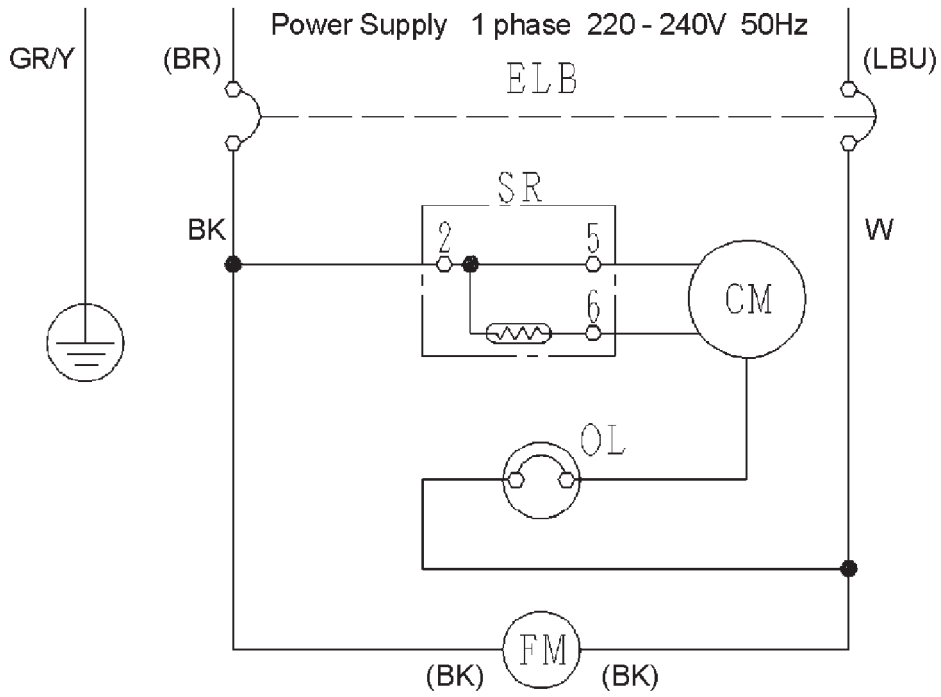
1. Install the sushi case properly in accordance with the instructions on location, water supply/drain connections and electrical connections stated in the instruction manual provided.
Allow 10mm extra space at the installation site to meet any installation requirements (additional spacing is also required for proper air flow and water connections).
2. Relative humidity exceeding 60% may result in excessive condensation on the exterior.
3. The food temperature is controllable by turning over the food mounts.
4. Product Code: S058-C168

5. REFRIGERATION CIRCUIT



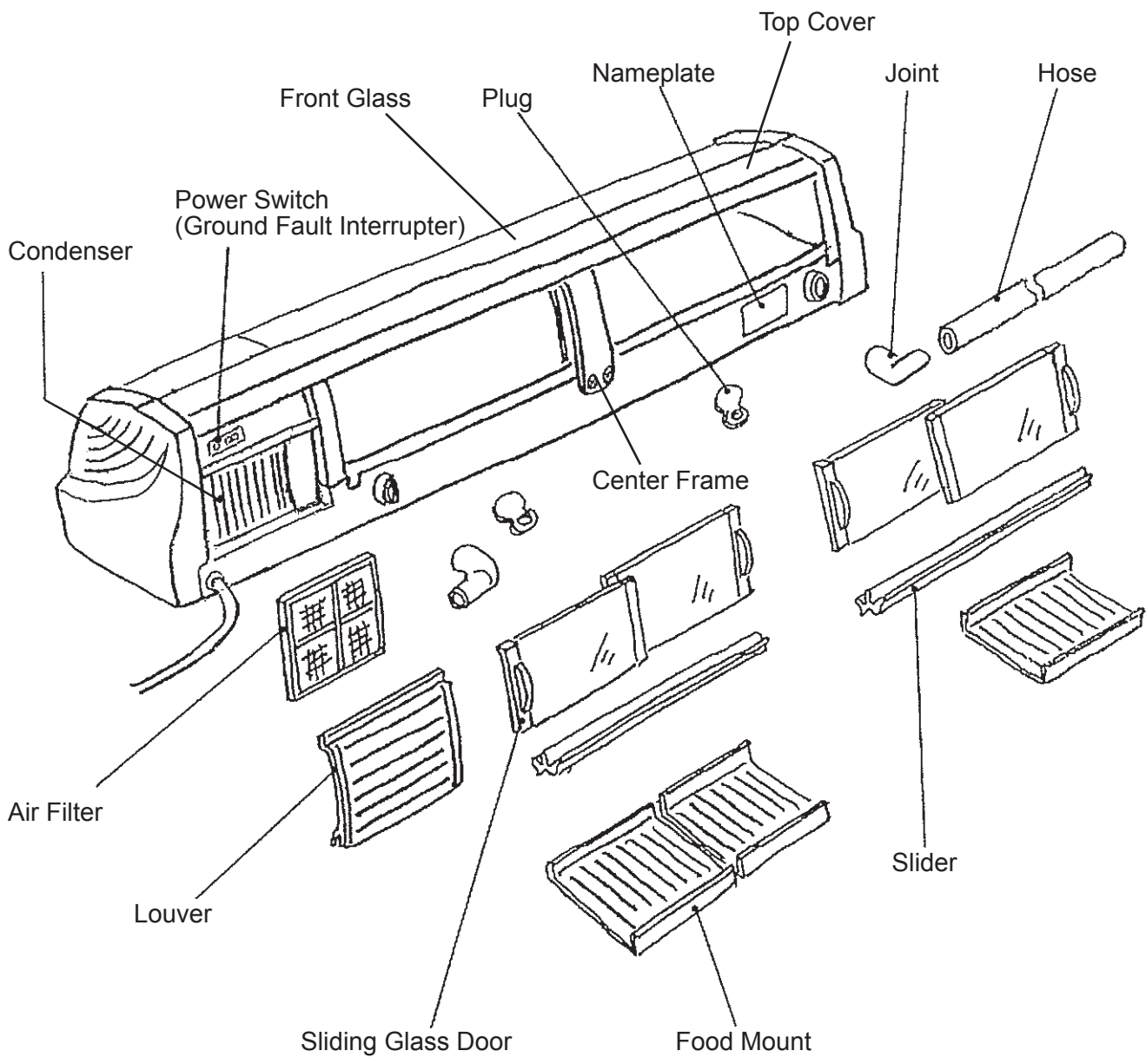
Refrigerant: R134a

6. WIRING DIAGRAM



CM	Compressor
SR	Start Relay
OL	Overload Relay
FM	Fan Motor
ELB	Ground Fault Circuit Interrupter

7. CONSTRUCTION



8. REMOVAL AND REPLACEMENT

CAUTION

1. Be sure to unplug the showcase before removing or replacing the parts.
2. Handle the glass parts with care.

[a] SIDE COVER

Remove the two machine screws at the bottom, lift up the side cover, and unhook the top.

[b] TOP COVER

Remove the sliding door and side cover.

- 1) The top cover is hooked and fixed on the top frame (aluminum).
- 2) Lift up and unhook the rear end of the top cover.
- 3) When the rear part is lifted off, move it forward to unhook and remove the front part.

The top cover is tightly hooked on the top frame and will not come off easily. Remove it with care to avoid injury. To replace, reverse the removal procedure.

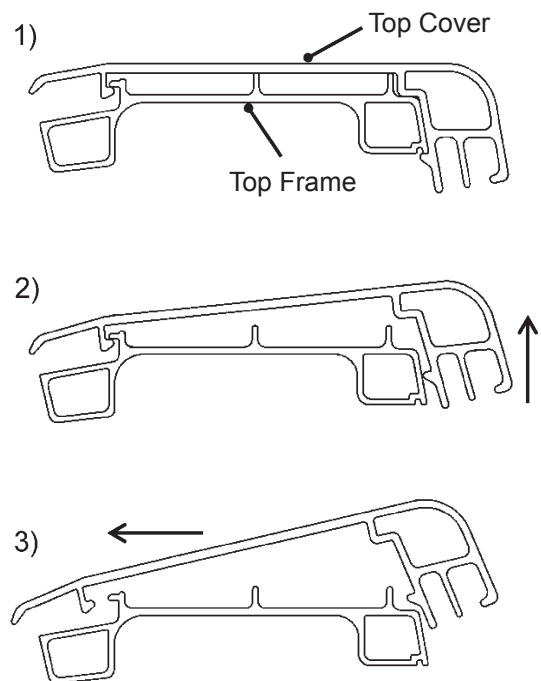


Fig. 1

[c] FRONT GLASS

Remove the sliding door, side cover and top cover. Lift the front glass off the bottom fit.

The bottom and side interior of the front glass is sealed with silicone sealant (black). Be sure to re-seal it at replacement.

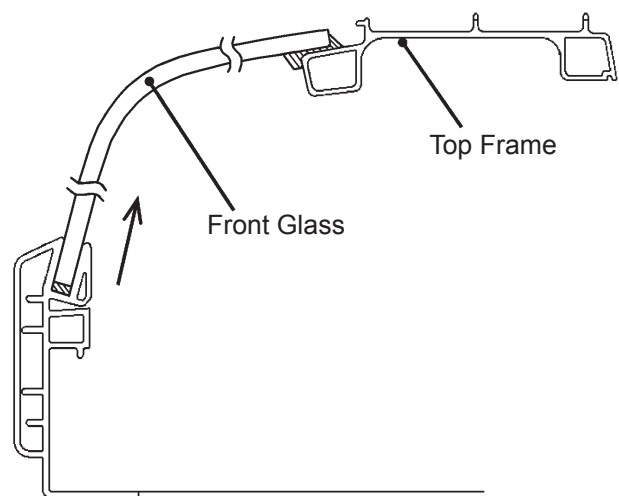


Fig. 2

[d] SIDE FRAME

Remove the sliding door, side cover and top cover. Unbind the wiring on the side frame. Remove the two screws securing the top frame and the top of the side frame. Lift the side frame off the bottom fit.

[e] CENTER FRAME (Except HNC-120 type)

Remove the two flat head machine screws (black) securing the center frame to the rear and the two machine screws securing the center frame to the top frame. Tilt the center frame and release it from the fit.

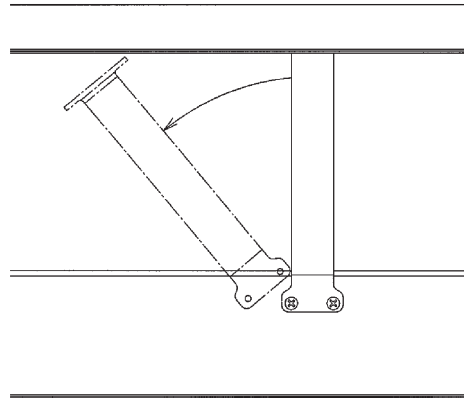


Fig. 3

[f] HOLDER - EVAPORATOR PIPE

Remove the truss head tapping screw (4 x 25) from the bottom of the top frame. Take off the center frame. Be careful with the evaporator pipe. It will be released and hang down. Remove the truss head tapping screw (4 x 10) from the bottom of the top frame.

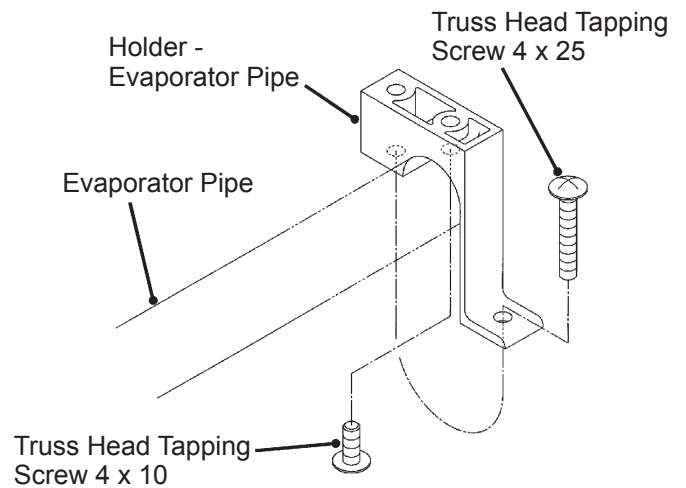


Fig. 4

[g] UNIT

Remove the sliding door, side cover, top cover, top frame and side frame. Take off the compressor terminal cover and remove the starter and motor protector. Uninsulate the expansion valve and unbrazed the outlet pipe with a gas burner (see "11. CONSTANT PRESSURE EXPANSION VALVE AND REFRIGERANT CHARGE").

Unbrazed the joint indicated. Remove the four machine screws securing the unit base. The whole unit can be pulled out.

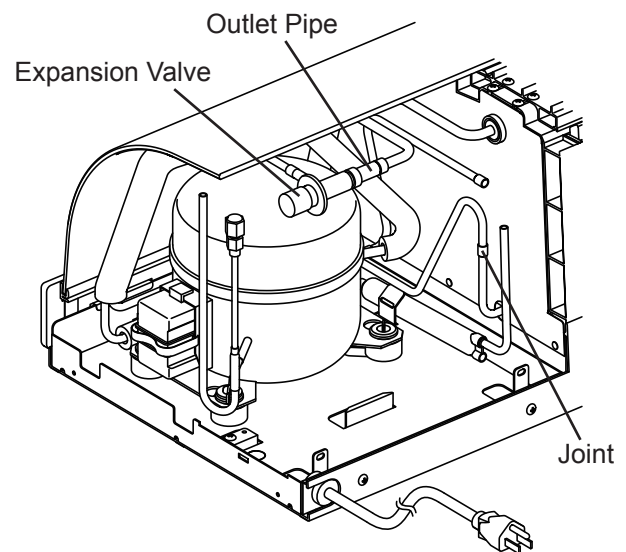


Fig. 5

9. REFRIGERANT SERVICE INFORMATION

1) Allowable Compressor Opening Time and Prevention of Lubricant Mixture [R134a]

The compressor must not be opened more than 30 minutes in replacement or service. Do not mix lubricants of different compressors even if both are charged with R134a, except when they use the same lubricant.

2) Treatment for Refrigerant Leak [R134a]

If a refrigerant leak occurs in the low side of a showcase charged with R134a, air may be drawn in. Even if the low side pressure is higher than the atmospheric pressure in normal operation, a continuous refrigerant leak will eventually lower the low side pressure below the atmospheric pressure and will cause air suction. Air contains a large amount of moisture, and ester easily absorbs a lot of moisture. If a showcase charged with R134a has possibly drawn in air, the drier must be replaced. Be sure to use a drier designed for R134a.

3) Handling of Handy Flux [R134a]

Repair of the refrigerant circuit needs brazing. It is no problem to use the same handy flux that has been used for the current refrigerants. However, its entrance into the refrigerant circuit should be avoided as much as possible.

4) Oil for Processing of Copper Tubing [R134a]

When processing the copper tubing for service, wipe off oil, if any used, by using alcohol or the like. Do not use too much oil and let it into the tubing, or wax contained in the oil will clog the capillary tubing.

5) Service Parts for R134a

Some parts used for refrigerants other than R134a are similar to those for R134a. But never use any parts unless they are specified for R134a because their endurance against the refrigerant has not been evaluated. Also, for R134a, do not use any parts that have been used for other refrigerants. Otherwise, wax and chlorine remaining on the parts may adversely affect R134a.

6) Replacement Copper Tubing [R134a]

The copper tubes currently in use are available for R134a. But do not use them if oily inside. The residual oil in copper tubes should be as little as possible. (Low residual oil type copper tubes are used in the shipped units.)

7) Evacuation, Vacuum Pump and Refrigerant Charge [R134a]

Never allow the oil in the vacuum pump to flow backward. The vacuum level and vacuum pump may be the same as those for the current refrigerants. However, the rubber hose

and gauge manifold to be used for evacuation and refrigerant charge should be exclusively for R134a.

8) Refrigerant Leak Check

Refrigerant leaks can be detected by charging the unit with a little refrigerant, raising the pressure with nitrogen and using an electric detector. Do not use air or oxygen instead of nitrogen for this purpose, or rise in pressure as well as in temperature may cause R134a to suddenly react with oxygen and explode. Be sure to use nitrogen to prevent explosion.

10. CONSTANT PRESSURE EXPANSION VALVE AND REFRIGERANT CHARGE

[a] SPECIFICATIONS

Model:	HYP-2-5QHD-1
Manufacturer:	Fuji Koki
Part Number:	447283-01
Refrigerant:	R134a
Adjustment Range:	0.01 - 0.29MPa
Pressure Rise by Adjusting Screw:	0.039 - 0.049MPa / turn

[b] FUNCTION

When the low side pressure drops, the Constant Pressure Expansion Valve opens and lets the refrigerant flow to keep a constant pressure.

[c] CONSTRUCTION

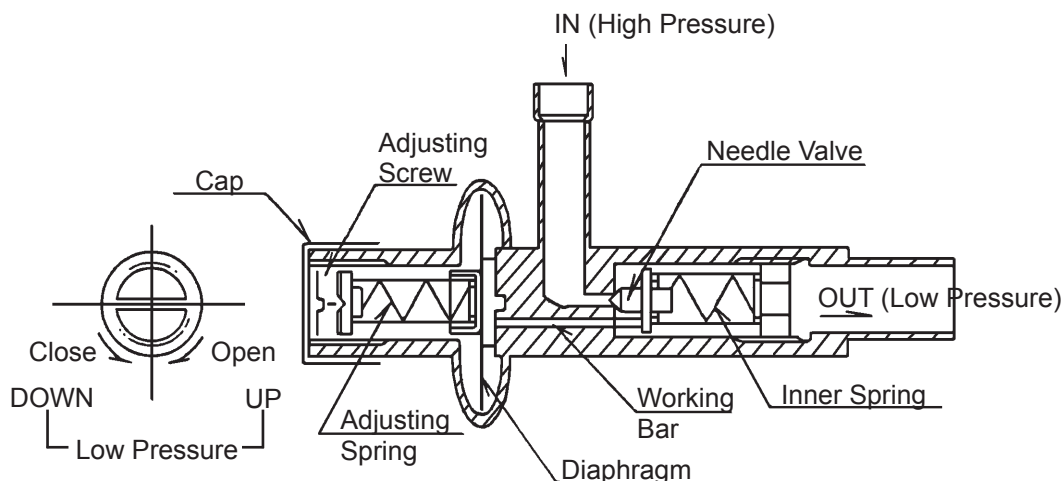


Fig. 6

[d] REPLACEMENT

⚠ WARNING

Always protect the valve body by using a damp cloth to prevent the valve from overheating. Do not braze with the valve body exceeding 110°C.

IMPORTANT

Always install a new Drier every time the sealed refrigeration system is opened. Do not replace the Drier until after all other repairs or replacement have been made.

- 1) Recover the refrigerant (R134a) and store it in an approved container.
- 2) Remove the Insulation Cover and Cap from the Expansion Valve.
- 3) Remove the Expansion Valve by heating the Inlet and Outlet Pipes with a gas burner.

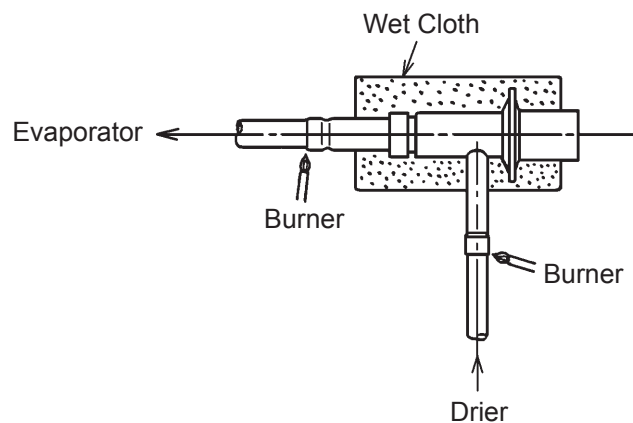


Fig. 7

11. SERVICE DIAGNOSIS

PROBLEM	POSSIBLE CAUSE	REMEDEY
[1] Showcase will not start.	1. Ground fault circuit interrupter in OFF position.	1. Turn ON.
	2. Unplugged.	2. Plug in.
	3. Supply voltage too low.	3. Plug into a separate receptacle of 220 - 240V \pm 6%.
	4. No power supply to the wall outlet. (Breaker or fuse blown out.)	4. Correct.
	5. Electrical circuit open or bad contacts.	5. Correct.
	6. Motor protector tripped.	6. Ventilate and reset fan motor.
[2] Poor cooling performance	1. Gas leaks.	1. Repair the leaks and recharge.
	2. Fan motor defective.	2. Replace.
	3. Condenser and/or air filter clogged.	3. Clean.
	4. Condenser air inlet blocked.	4 - 9. Instruct the user on characteristics and proper use of the showcase.
	5. Exposed to direct sunlight.	
	6. Located next to a high heat producing equipment.	
	7. Doors opened too frequently or left open.	
	8. Packed with foods, or warm or hot foods inside.	
	9. Ambient temperature exceeding 30°C.	
[3] Dry foods	1. Foods have been stored from the previous day.	1 - 2. Instruct the user on characteristics and proper use of the showcase.
	2. Foods have been stored for a long time.	
[4] Frosting	1. [Exterior] Relative humidity exceeding 60%.	1 - 2. Instruct the user on characteristics and proper use of the showcase. Wipe off excessive frost with a soft cloth.
	2. [Interior] Doors opened too frequently or left open.	