



INSTRUCTIONS

-J03976

REV. 2011-06-24

PREMIUM AIR HORN INSTALLATION KIT

GENERAL

Kit Numbers

69415-05A, 69000035

Models

For model fitment information, see the P&A Retail Catalog or the Parts and Accessories section of www.harley-davidson.com (English only).

Additional Parts Required

A Premium Air Horn (Part Number 69423-05) is needed for proper installation of these kits. This item is available from a Harley-Davidson Dealer.

WARNING

The rider's safety depends upon the correct installation of this kit. Use the appropriate service manual procedures. If the procedure is not within your capabilities or you do not have the correct tools, have a Harley-Davidson dealer perform the installation. Improper installation of this kit could result in death or serious injury. (00333a)

NOTE

This instruction sheet references service manual information. A service manual for your model motorcycle is required for this installation and is available from a Harley-Davidson Dealer.

Electrical Overload

NOTICE

It is possible to overload your vehicle's charging system by adding too many electrical accessories. If the combined electrical accessories operating at any one time consume more electrical current than the vehicle's charging system can produce, the electrical consumption can discharge the battery and cause damage to the vehicle's electrical system. See an authorized Harley-Davidson dealer for advice about the amount of current consumed by additional electrical accessories or for necessary wiring changes. (00211c)

WARNING

When installing any electrical accessory, be certain not to exceed the maximum amperage rating of the fuse or circuit breaker protecting the affected circuit being modified. Exceeding the maximum amperage can lead to electrical failures, which could result in death or serious injury. (00310a)

The Premium Air Horn requires up to **18 Amps** additional current from the electrical system when sounding the horn.

Kit Contents

See Figure 5 and Table 1.

INSTALLATION

Original Horn Removal

WARNING

To prevent accidental vehicle start-up, which could cause death or serious injury, disconnect battery cables (negative (-) cable first) before proceeding. (00307a)

WARNING

Disconnect negative (-) battery cable first. If positive (+) cable should contact ground with negative (-) cable connected, the resulting sparks can cause a battery explosion, which could result in death or serious injury. (00049a)

1. Refer to BATTERY DISCONNECTION AND REMOVAL in the owner's manual, and follow the instructions given to disconnect the negative (-) battery cable.

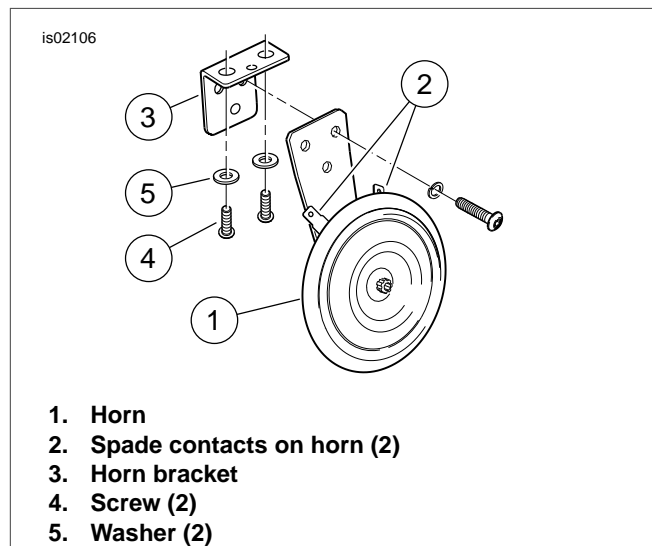


Figure 1. Original Equipment Horn Removal (XL except 1200C)

2. **All XL models except 1200C:** See Figure 1. Remove the elbow terminals from the two spade contacts (2) on the horn (1).
Remove the two button head TORX® screws (4) and washers (5) that fasten the horn bracket (3) and upper stabilizer link bracket to the vehicle frame. Remove the horn and horn bracket as an assembly, which can be discarded.

Attach the upper stabilizer link bracket to the vehicle frame with the screws and washers, and tighten to 25-35 ft-lbs (33.9-47.5 Nm).

XL 1200C models: See Figure 2. Remove the elbow terminals from the two spade contacts (2) on the horn (1), and release the main harness conduit from the clamp (3).

Remove the flanged locknut (5) and flat washer (6) to free the horn assembly from the horn and enricher bracket (4). Remove the horn, cover, support bracket and rubber mount from the horn and enricher bracket as an assembly.

The horn assembly, flanged locknut and flat washer can be discarded.

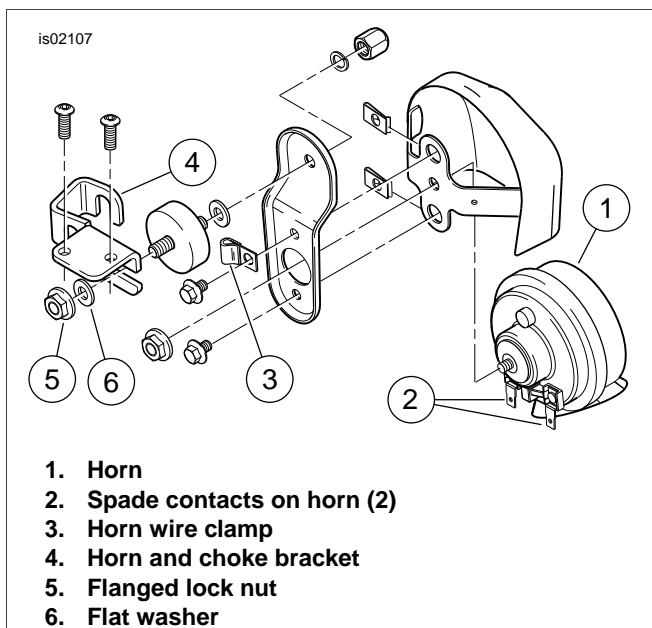


Figure 2. Original Equipment Horn Removal (XL 1200C)

NOTE

*DO NOT cut the elbow terminal from the **black** wire.*

3. Cut the elbow terminal from **ONLY** the **yellow/black** horn wire on the main harness conduit.
4. **For 2004 through 2006 models:** Proceed to Step 7.
For 2007 and later models: See Figure 3. Remove the two button head screws (1) from the holes (2) in the engine cylinder heads.
5. Position the new engine center mounting bracket (3) over the holes, and secure with the two 3/8-16 x 1-1/4 in. long socket head cap screws (4) and hardened flat washers (5) from the kit. Tighten the screws to 17-24 ft-lbs (23.0-32.5 Nm).

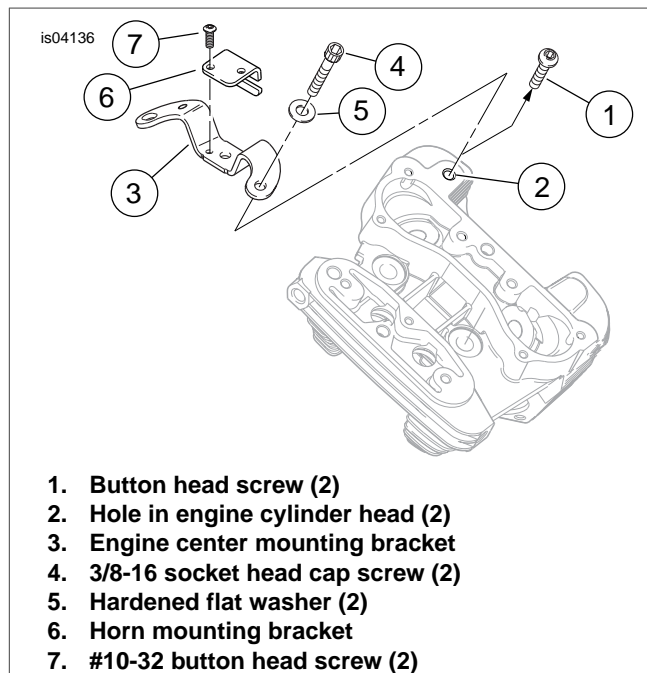


Figure 3. Engine Center Mounting Bracket (2007 and Later)

6. Position the horn mounting bracket (6) over the engine center mounting bracket, and secure with the two #10-32 x 1/2 in. long button head screws (7) from the kit. Tighten the screws to 36-60 **in-lbs** (4-7 Nm).

New Horn Installation

7. See Figure 5. Obtain the horn mounting bracket (1), chrome hex head screw (2) and one large flat washer (3) from the kit. Assemble the bracket to the slot in the horn bracket (Item C or 15), with the bent tab toward the vehicle, using the flanged locknut (16) and the second chrome flat washer (3) from the kit. Do not fully tighten at this time.
8. Obtain the **new** isolator (5) and hex locknut (4) from the kit. Insert the **threaded** stud on the isolator, from the outside, into the large hole in the horn mounting bracket. Fit the three pins on the isolator into the small holes in the bracket, and fasten the isolator to the bracket with the washer and nut. Tighten to 80-100 **in-lbs** (9.0-11.3 Nm).

NOTE

Rotating the bracket as follows will verify that the horn will be aimed forward and down at a 45-degree angle for best sound dispersion.

9. Rotate the horn mounting bracket clockwise, tight against the horn and enricher bracket. Tighten the chrome hex screw to 80-100 **in-lbs** (9.0-11.3 Nm).
10. Obtain the Premium Air Horn (Item A, purchased separately), and the socket head screw (6) and small chrome flat washer (7) from **this** kit.
Hook the mounting block (D) on the back of the horn over the T-stud (E) on the isolator. Line up the hole on the top of the mounting block with the threaded hole in the T-stud.
11. Fasten the horn to the stud with the screw and washer. Tighten to 100-120 **in-lbs** (11.3-13.6 Nm).

NOTE

On the underside of the horn, note the small + and - markings at the terminals. (For use later but not as readily visible at that point).

New Horn Wiring

12. Obtain the horn wiring harness (8) from the kit. Position the relay (F) on the harness with the electrical connector facing forward and down. Use a cable strap (10) to attach the relay to the positive (+) battery to maxi-fuse wire conduit.
 - a. See Figure 4. Bring the longest branch of the horn wiring harness upward and forward alongside the main harness (1) on the left side of the frame to a point directly above the **new** horn (2).
Tie the horn harness to the main harness rearward of the horn with cable straps from the kit as needed.
 - b. Continue the long harness branch down behind the horn and enricher bracket to the horn. Plug the elbow terminal on the **yellow** wire into one of the terminals on the underside of the horn.
 - c. Plug the elbow terminal on the **black** wire of the main harness conduit into the remaining horn terminal.
 - d. Refer to BUTT SPLICE CONNECTORS in the service manual. Connect the **yellow/ black** wire on the main harness conduit to the butt splice connector on the **yellow/ black** wire on the horn harness.

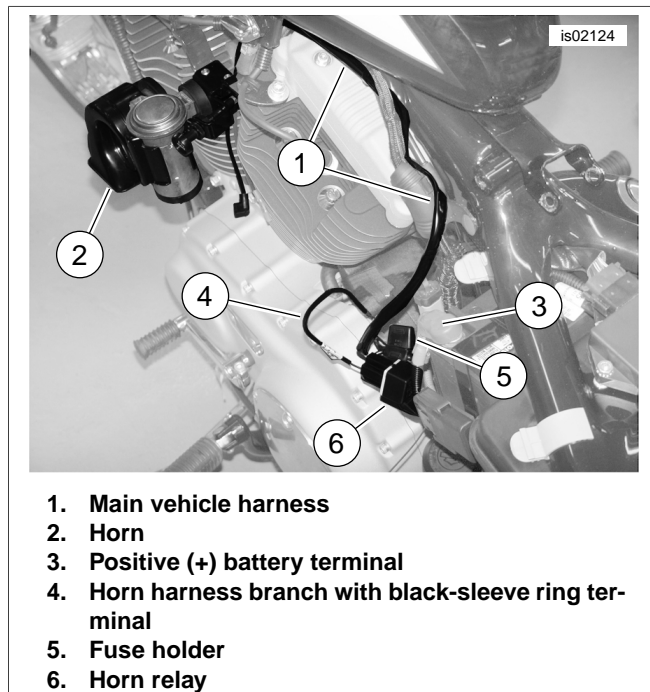


Figure 4. Horn Harness Routing

NOTE

To prevent possible damage to the electrical system, verify that the Ignition/ Light Key Switch is in the OFF position before installing the battery cables.

13. Verify that the Ignition/Light Key Switch is in the OFF position.

WARNING

Connect positive (+) battery cable first. If positive (+) cable should contact ground with negative (-) cable connected, the resulting sparks can cause a battery explosion, which could result in death or serious injury. (00068a)

NOTICE

Do not over-tighten bolts on battery terminals. Use recommended torque values. Over-tightening battery terminal bolts could result in damage to battery terminals. (00216a)

14. Refer to the service manual and follow the instructions given to attach the positive (red) battery cable and install the horn harness ring terminal with the **red** wire sleeve to the positive (+) battery terminal (3).
15. Bring the branch of the horn wiring harness with the ring terminal and **black** wire sleeve (4) over to the area of the ground stud on the left side of the crankcase **next to the starter**.
Remove the nut on the ground stud, and install the ring terminal with the black sleeve to the stud. Install the nut and tighten securely.
Follow the instructions in the service manual to attach the negative (black) battery cable to the **right-side** ground stud on the crankcase.
16. Tuck the fuse holder (5) and horn relay (6) into the available space alongside the battery.
17. Refer to the service manual and follow the instructions to remove the seat.
18. See Figure 5. Obtain the air intake tube (B, comes with Premium Air Horn). Push the tube connector into the opening near the bottom of the horn until the tab retainer clicks into place.

NOTES

Position the air intake tube so it will not get pinched by the seat after installation, contact hot engine or exhaust components, or interfere with the operation of the motorcycle.

Do not pinch the tube when fastening with cable straps.

19. Route the tube upward to the area under the seat. Tie the tube to the motorcycle with cable straps as needed. Do not pinch the tube by over-tightening the straps.
Cut off any excess tube or strap length.
20. Refer to the service manual and follow the instructions to install the seat.

WARNING

After installing seat, pull upward on seat to be sure it is locked in position. While riding, a loose seat can shift causing loss of control, which could result in death or serious injury. (00070b)

21. Test the horn for proper operation. If the horn output is diminished (sounds like a goose), reverse the connections at the horn, the positive (+) and negative (-) terminals are reversed.

SERVICE PARTS

is02100b

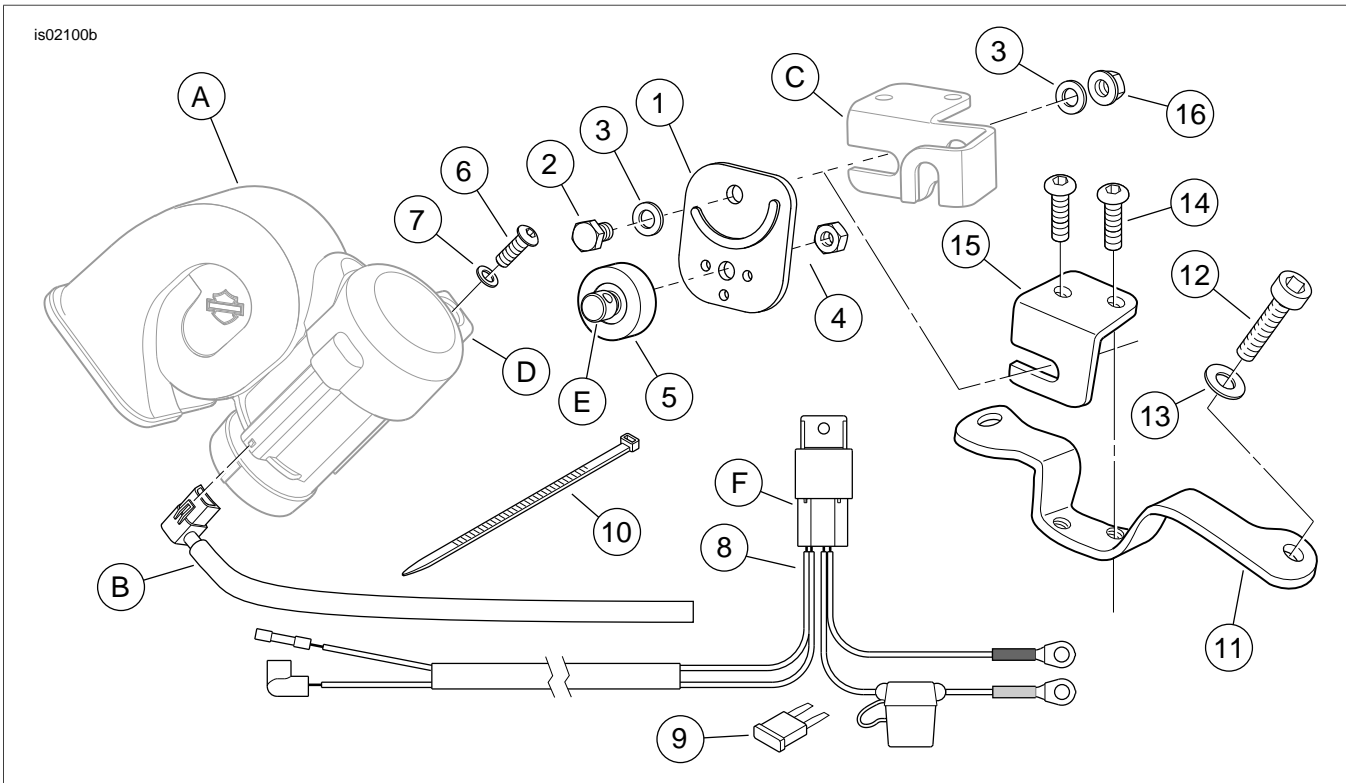


Figure 5. Service Parts: Horn Installation Kit

Table 1. Service Parts: Horn Installation Kit

Item	Description (Quantity)	Part Number
1	Bracket, horn mounting	69472-05A
2	Cap screw, hex head, 5/16-18 x 7/8 in. (22.2 mm) long	94193-91T
3	Flat washer, 0.59 in. (15 mm) O.D. (2)	6781
4	Hex lock nut, 5/16-18, with nylon insert	7739
5	Isolator	69471-05
6	Screw, hex socket, button head, 1/4-20 x 1/2 in. (12.7 mm) long, with lock patch	3063
7	Flat washer, 0.44 in. (11.2 mm) O.D.	6220W
8	Wire harness, horn	69200345
9	• Fuse, blade type, 20 amp (yellow)	72315-05
10	Cable strap (10)	10006
11	Engine center mounting bracket (for 2007 and later models)	16353-04
12	Cap screw, hex socket head, 3/8-16 x 1-1/4 in. (31.8 mm) long (2) (for 2007 and later models)	4748
13	Flat washer, hardened, 0.78 in (19.8 mm) O.D. (2) (for 2007 and later models)	6787
14	Screw, hex socket, button head, #10-32 x 1/2 in. (12.7 mm) long, with lock patch (for 2007 and later models)	3026
15	Bracket, horn mounting (for 2007 and later models)	69049-07
16	Locknut, flanged, 5/16-18 (for 2007 and later models)	7531

Table 1. Service Parts: Horn Installation Kit

Item	Description (Quantity)	Part Number
Items mentioned in text, but not included in kit:		
A	Horn (Part Number 69423-05, includes item B)	
B	• Tube, air intake (Part Number 59606-05)	
C	Horn and enrichener bracket (on 2004-2006 models)	
D	Mounting block on horn	
E	T-stud on isolator	
F	Relay on horn harness	