



Installation Instructions: Power Pucks™ Rear Speaker Harness Adapter

****Notice: Please read through the Power Pucks User Guide before attempting installation or adjustment of the Power Puck Speaker Amplifiers. Failure to properly adjust the amplifiers before use may result in damage to your radio, speakers and/or Power Pucks.***

1) Locate Rear Speaker Wires:

Start by locating the rear speaker wires on your vehicle by starting at the rear speakers and tracing the wires forward or consult your factory service manual for your make/model.

2) Prepare Rear Speaker Harness Adapter Wires:

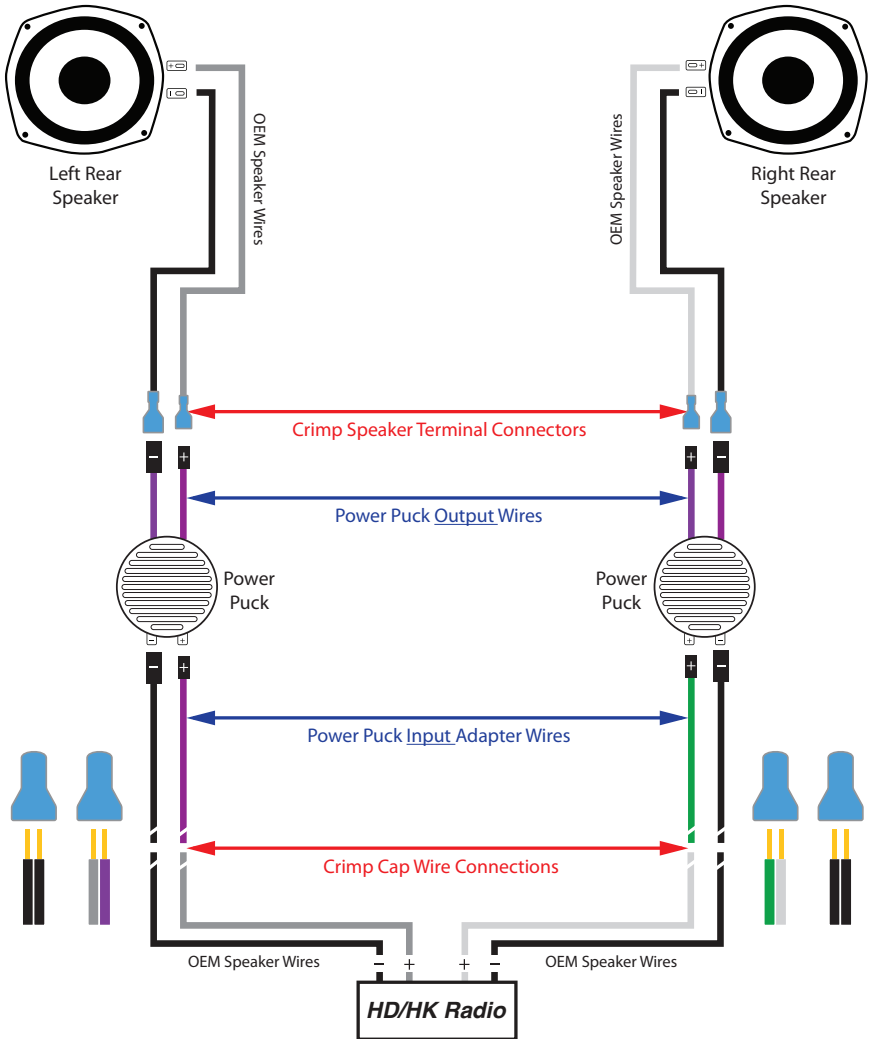
Next, cut the rear factory speaker wires in an accessible location for each side and prepare the wire connectors for installing the speaker harness adapter using the supplied speaker terminals and crimp cap connectors. Follow the wiring diagram closely on the reverse side of this sheet for correct crimping and connection of the factory speaker wires and amplifier adapter wires. Note that the small terminals always go to the positive leads and the large terminals go on the negative leads.

3) Connect the Power Pucks w/ Installed Adapter Wires:

Once the splices are completed following the wiring diagram on the reverse side of this sheet you are now ready to connect the Power Pucks to the rear speakers. Follow the wiring diagram closely for proper connection of the Power Pucks.

Once you have completed this step use the standard Power Pucks User Guide and Installation Instructions to finish the installation and adjust the amplifiers before attempting to play your stereo.

Power Pucks™ Rear Speaker Adapter Harness Wiring Diagram



If you have any other questions about your product please go to our website and click the contact us link to send us your questions.