

 **WARNING !** 

The AB38N Machine has been re-assessed to ensure compliance to the Machinery Directive (2006/42/EC).

The Machine rating has been changed from:

2 People Indoors and Outdoors.

To

2 People Indoors and 1 Person Outdoors.

Please attach to the front cover of  
your manual

**Manual part number 500426-006-EN for serial numbers 3700 to 04243**

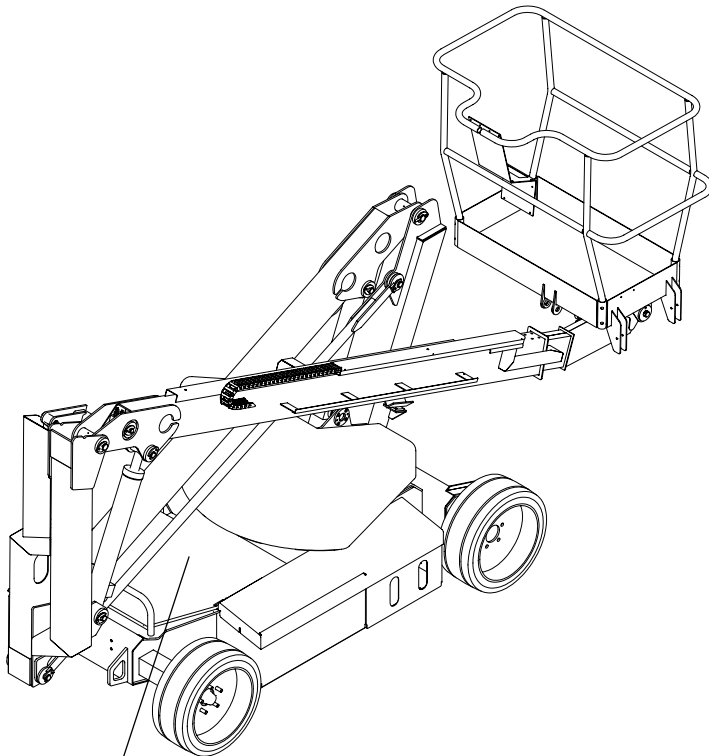


# AB38

## Serial Numbers 3700 – Current

### ENGLISH

When contacting UpRight for service or parts information, be sure to include the MODEL and SERIAL NUMBERS from the equipment nameplate. Should the nameplate be missing, the SERIAL NUMBER is also stamped on top of the chassis above the front axle pivot.



Serial number stamped on floor of chassis beneath the steering cylinder.

<b>UpRight</b>		VIGO CENTRE WASHINGTON, TYNE & WEAR, UK.		
MODEL	AB38W	SERIAL No.		
MAX. PLATFORM HEIGHT	11.5m	UNLADEN WEIGHT	3200 kg	
MAX. PLATFORM LOAD	200kg 2 Persons + 40kg. Equipment			
MAX. LATERAL FORCE	400N	MAX. WIND SPEED	12.5 m/s	
MAX. CHASSIS INCLINATION	0°	BATTERY VOLTAGE	48V	
MAX. GRADEABILITY	36%	CHARGER INPUT VOLTAGE	240V	
MAX. FORWARD SPEED	1.1 m/s	NOMINAL POWER	4kW	
CAUTION: ONLY TRAINED & AUTHORISED PERSONNEL MAY USE THIS MACHINE—CONSULT OPERATORS MANUAL BEFORE USE. THIS PLATFORM IS NOT ELECTRICALLY INSULATED 58472-008				

<b>UpRight</b>		VIGO CENTRE WASHINGTON, TYNE & WEAR, UK.		
MODEL	AB38N	SERIAL No.		
MAX. PLATFORM HEIGHT	11.5m	UNLADEN WEIGHT	3800 kg	
MAX. PLATFORM LOAD	215kg 2 Persons + 55kg. Equipment			
MAX. LATERAL FORCE	400N	MAX. WIND SPEED	12.5 m/s	
MAX. CHASSIS INCLINATION	0°	BATTERY VOLTAGE	48V	
MAX. GRADEABILITY	36%	CHARGER INPUT VOLTAGE	240V	
MAX. FORWARD SPEED	1.1 m/s	NOMINAL POWER	4kW	
CAUTION: ONLY TRAINED & AUTHORISED PERSONNEL MAY USE THIS MACHINE—CONSULT OPERATORS MANUAL BEFORE USE. THIS PLATFORM IS NOT ELECTRICALLY INSULATED 58472-000				

<b>UpRight</b>		VIGO CENTRE WASHINGTON, TYNE & WEAR, UK.		
MODEL	AB38N	SERIAL No.		
MAX. PLATFORM LOAD	475 lbs (2 PERSONS + 120 lbs)			
MAX. PLATFORM HEIGHT	38 ft	UNLADEN WEIGHT	9057 lbs	
MAX. PLATFORM REACH	18ft 4in			
MAX. LATERAL FORCE	90 lbs	MAX. WIND SPEED	28 mph	
MAX. CHASSIS INCLINATION	0°	MAX. GRADEABILITY	36%	
MAX. HYDRAULIC PRESSURE	2105psi			
BATTERY VOLTAGE	48V dc	CHARGER INPUT VOLTAGE	110/120V	
MAX. FORWARD SPEED	2.5mph	NOMINAL POWER	5.4 hp	
THIS MACHINE IS MANUFACTURED TO COMPLY WITH ANSI A92.5 - 1992				
CAUTION: ONLY TRAINED & AUTHORISED PERSONNEL MAY USE THIS MACHINE—CONSULT OPERATORS MANUAL BEFORE USE. THIS PLATFORM IS NOT ELECTRICALLY INSULATED 58472-002				

<b>UpRight</b>		VIGO CENTRE, WASHINGTON, TYNE & WEAR, UK		
MODEL	AB38W	SERIAL No.		
MAX. PLATFORM LOAD	475 lbs (2 PERSONS + 120 lbs)			
MAX. PLATFORM HEIGHT	38 ft	UNLADEN WEIGHT	7496 lbs	
MAX. PLATFORM REACH	18ft 4in			
MAX. LATERAL FORCE	90 lbs	MAX. WIND SPEED	28 mph	
MAX. CHASSIS INCLINATION	0°	MAX. GRADEABILITY	36%	
MAX. HYDRAULIC PRESSURE	2105psi			
BATTERY VOLTAGE	48V dc	CHARGER INPUT VOLTAGE	110/120V	
MAX. FORWARD SPEED	2.5mph	NOMINAL POWER	5.4 hp	
THIS MACHINE IS MANUFACTURED TO COMPLY WITH ANSI A92.5 - 1992				
CAUTION: ONLY TRAINED & AUTHORISED PERSONNEL MAY USE THIS MACHINE—CONSULT OPERATORS MANUAL BEFORE USE. THIS PLATFORM IS NOT ELECTRICALLY INSULATED 58472-006				

# UpRight

## POWERED ACCESS

www.upright.com



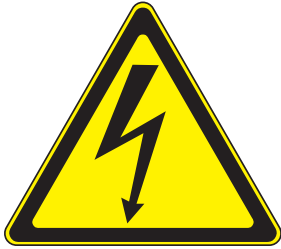
# OPERATION MANUAL

## WARNING

All personnel shall carefully read, understand and follow all safety rules and operating instructions before operating or performing maintenance on any UpRight aerial work platform.

## Safety Rules

### Electrocution Hazard



**THIS MACHINE IS NOT INSULATED!**

### Tip Over Hazard



**NEVER** elevate the platform or drive the machine while elevated unless the machine is on a firm, level surface.

### Collision Hazard



**NEVER** position the platform without first checking for overhead obstructions or other hazards.

### Fall Hazard



**NEVER** climb, stand, or sit on platform guardrails or midrail.

**USE OF THE AERIAL WORK PLATFORM:** This aerial work platform is intended to lift persons and his tools as well as the material used for the job. It is designed for repair and assembly jobs and assignments at overhead workplaces (ceilings, cranes, roof structures, buildings etc.). All other uses of the aerial work platform are prohibited!

**THIS AERIAL WORK PLATFORM IS NOT INSULATED!** For this reason it is imperative to keep a safe distance from live parts of electrical equipment!

Exceeding the specified permissible maximum load **is prohibited!** See "Platform Capacity" for details.

The use and operation of the aerial work platform as a lifting tool or a crane **is prohibited!**

**NEVER** exceed the manual force allowed for this machine. See "Manual Force" for details.

**DISTRIBUTE** all platform loads evenly on the platform.

**NEVER** operate the machine without first surveying the work area for surface hazards such as holes, drop-offs, bumps, curbs, or debris; and avoiding them.

**OPERATE** machine only on surfaces capable of supporting wheel loads.

**NEVER** operate the machine when wind speeds exceed this machine's wind rating. "Beaufort Scale" for details.

**IN CASE OF EMERGENCY** push EMERGENCY STOP switch to deactivate all powered functions.

**IF ALARM SOUNDS** while platform is elevated, STOP, carefully lower platform. Move machine to a firm, level surface.

Climbing up the railing of the platform, standing on or stepping from the platform onto buildings, steel or prefab concrete structures, etc., **is prohibited!**

Dismantling the entry gate or other railing components **is prohibited!** Always make certain that the entry gate is closed and securely locked!

**It is prohibited** to keep the entry gate in an open position when the platform is raised!

To extend the height or the range by placing of ladders, scaffolds or similar devices on the platform **is prohibited!**

**NEVER** perform service on machine while platform is elevated without blocking elevating assembly.

**INSPECT** the machine thoroughly for cracked welds, loose or missing hardware, hydraulic leaks, loose wire connections, and damaged cables or hoses before using.

**VERIFY** that all labels are in place and legible before using.

**NEVER** use a machine that is damaged, not functioning properly, or has damaged or missing labels.

To bypass any safety equipment **is prohibited** and presents a danger for the persons on the aerial work platform and in its working range.

**NEVER** charge batteries near sparks or open flame. Charging batteries emit explosive hydrogen gas.

Modifications to the aerial work platform **are prohibited** or permissible only at the approval by **UpRight**.

**AFTER USE**, secure the work platform from unauthorized use by turning the keyswitch off and removing key.

The driving of **MEWP's** on the public highway is subject to regulations made under the Road Traffic Acts.

**ALWAYS** use a full body harness, **prior to raising the platform**, as recommended by the Health and Safety Executive (H1/05/05)

# CONTENTS

Safety Rules.....	Page 1
Introduction & General Description.....	Page 3
Special Limitations .....	Page 4
Controls & Indicators .....	Page 5
Pre-Operation & Safety Inspection .....	Page 5
System Functions .....	Page 6
Operation .....	Page 6
Emergency Lowering .....	Page 7
Transporting the Machine .....	Page 8
Hour Meter .....	Page 8
Maintenance.....	Page 9
Battery Maintenance .....	Page 10
Inspection & Maintenance Schedule .....	Page 11
Daily Preventative Maintenance Checklist .....	Page 12
Decal Location.....	Page 13
Specifications .....	Page 14

## INTRODUCTION

This manual covers the AB38N and the AB38W Aerial Work Platforms.

This manual must be stored on the machine at all times.

Read, understand and follow all safety rules and operating instructions before attempting to operate the machine.

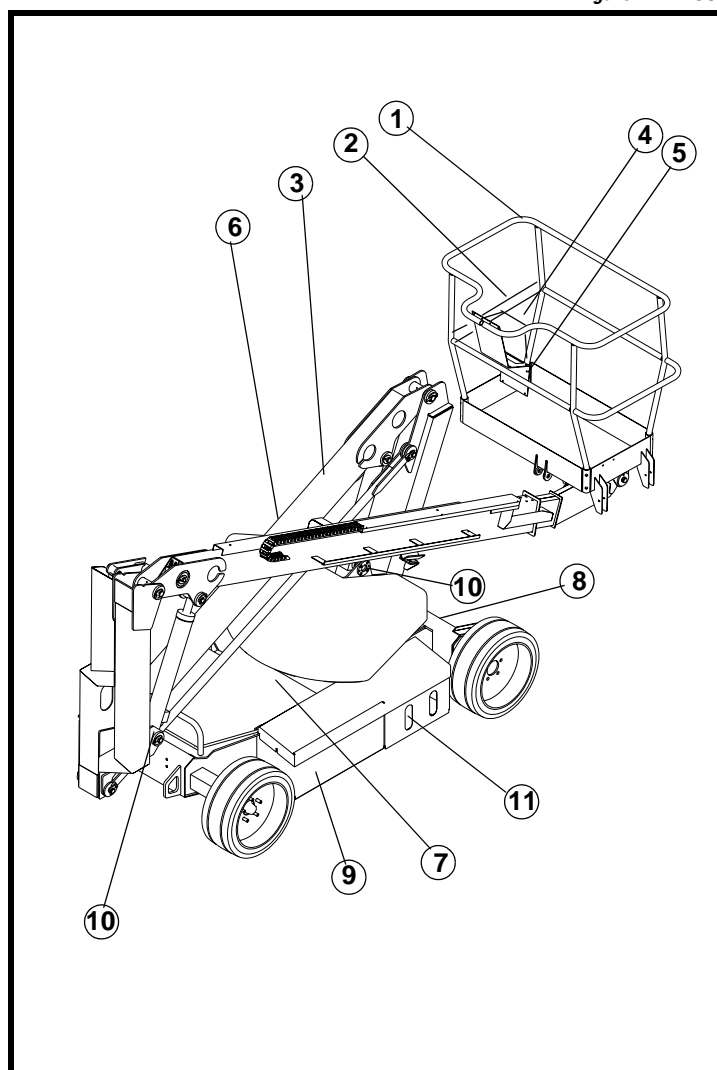
## GENERAL DESCRIPTION

### **! WARNING !**

**DO NOT** use the maintenance platform without guardrails properly assembled and in place.

Figure 1: AB38

1. Platform
2. Entry Bar
3. Elevating Assembly
4. Platform Controls
5. Manual Case
6. Lower Controls
7. Hydraulic Reservoir
8. Level Sensor
9. Batteries
10. Emergency Lowering Valves
11. Battery Charger



## SPECIAL LIMITATIONS

Travel with the platform raised is limited to creep speed range.

Elevating the platform is limited to firm, level surfaces only.

### **⚠ DANGER ⚠**

*The elevating function shall ONLY be used when the work platform is level and on a firm surface.*

*The work platform is NOT intended to be driven over uneven, rough, or soft terrain.*

## PLATFORM CAPACITY

Two people and tools may occupy the platform. The maximum platform capacity for the AB38N/W is stated in the 'Specifications' on page 14.

### **⚠ DANGER ⚠**

*DO NOT exceed the maximum platform capacity or the platform occupancy limits for this machine.*

## MANUAL FORCE

Manual force is the force applied by the occupants to objects such as walls or other structures outside the work platform.

The maximum allowable manual force is limited to 200 N (45 lbs.) of force per occupant, with a maximum of 400 N (90 lbs.) for two occupants.

### **⚠ DANGER ⚠**

*DO NOT exceed the maximum amount of manual force for this machine.*

## LIFT OVERLOAD ALARM

The AB38 is fitted with a load sensing system designed to comply with the requirements of BS EN 280: 2001

If a load equivalent to 90% of safe working load is lifted a fault code "03" will be displayed on the digital display on the platform control box. If a load which is greater than the safe working load is present in the basket all machine functions will cease to operate and an acoustic warning will sound. In order to return to normal operation a load equal to or less than the safe working load must be present in the basket and the power must be re-cycled, power can be re-cycled by pushing the emergency stop button and releasing it again.

## BEAUFORT SCALE

Never operate the machine when wind speeds exceed 12.5 m/s (28mph) [Beaufort scale 6].

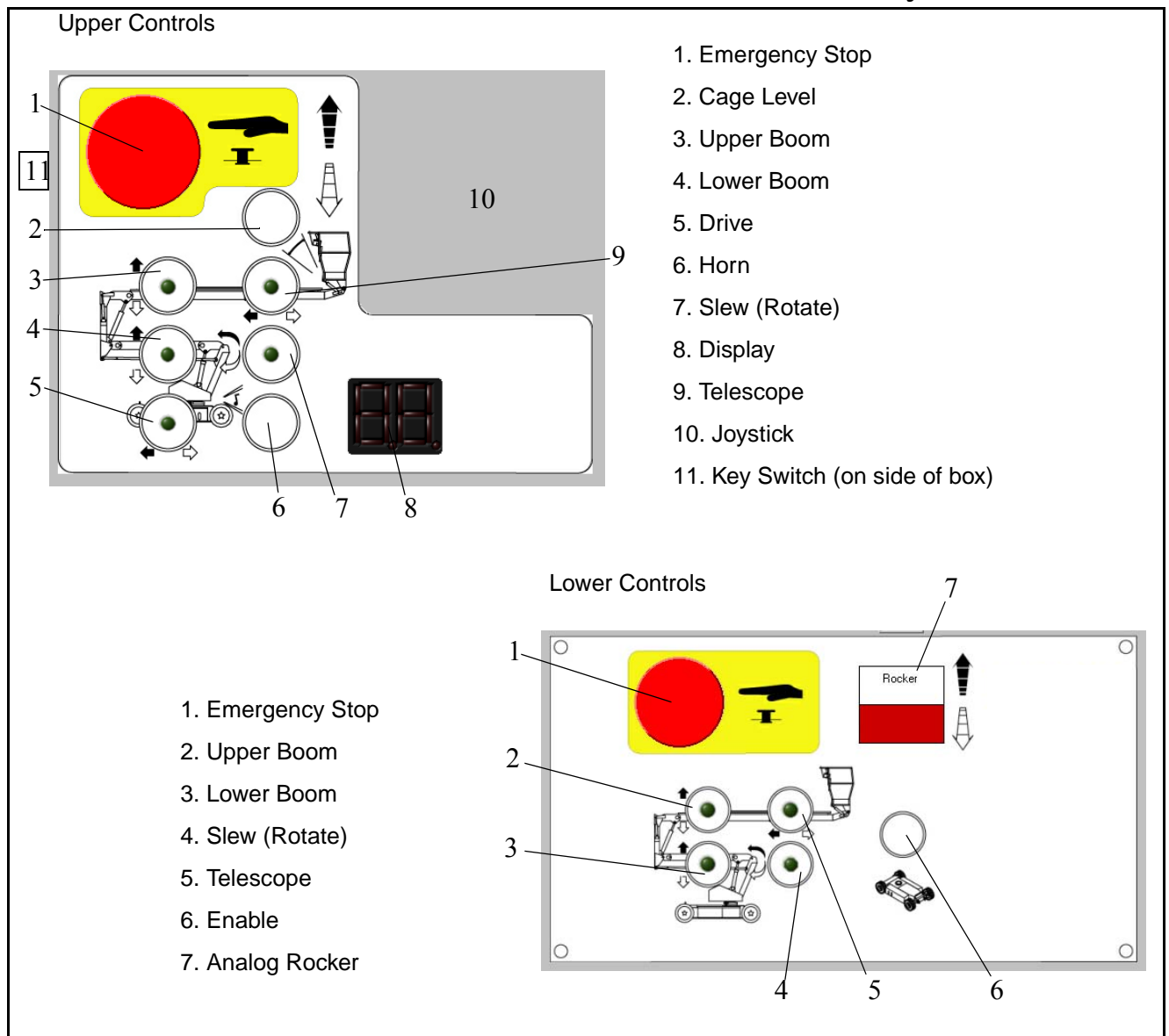
BEAUFORT RATING	WIND SPEED				GROUND CONDITIONS
	m/s	km/h	ft/s	mph	
3	3,4~5,4	12,25~19,4	11.5~17.75	7.5~12.0	Papers and thin branches move, flags wave.
4	5,4~8,0	19,4~28,8	17.75~26.25	12.0~18	Dust is raised, paper whirls up, and small branches sway.
5	8,0~10,8	28,8~38,9	26.25~35.5	18~24.25	Shrubs with leaves start swaying. Wave crests are apparent in ponds or swamps.
6	10,8~13,9	38,9~50,0	35.5~45.5	24.5~31	Tree branches move. Power lines whistle. It is difficult to open an umbrella.
7	13,9~17,2	50,0~61,9	45.5~56.5	31.-38.5	Whole trees sway. It is difficult to walk against the wind.



# CONTROLS AND INDICATORS

The operator shall know the location of each control and indicator and have a thorough knowledge of the function and operation of each before attempting to operate the unit.

Figure 2: Controls and Indicators



## PRE-OPERATION SAFETY INSPECTION

**NOTE:** Carefully read, understand and follow all safety rules, operating instructions, labels and National Safety Instructions/Requirements. Perform the following steps each day before use.

1. Remove the Chassis Covers and inspect for damage, fluid leaks or missing parts.
2. Check the level of the hydraulic fluid with the platform fully lowered. Remove the Chassis Covers and remove the reservoir cap, fluid should be visible on the dipstick. Add recommended hydraulic fluid if necessary. See "Specifications" on page 14.
3. Check that the fluid level in the batteries is correct. See "Battery Maintenance" on page 10.
4. Verify that the batteries are charged.
5. Check that the A.C. extension cord has been disconnected from the chassis outlet.
6. Check that all guardrails are in place and all fasteners are properly tightened.
7. Inspect the machine thoroughly for cracked welds and structural damage, loose or missing hardware, hydraulic leaks, damaged control cable and loose wire connections.

## SYSTEM FUNCTION INSPECTION

Refer to Figure 1 and Figure 2 for the locations of various controls and indicators.

### **⚠ WARNING ⚠**

**STAND CLEAR** of the work platform while performing the following checks.

Before operating the machine, survey the work area for surface hazards such as holes, drop-offs, bumps and debris.

Check in **ALL** directions, including above the work platform, for obstructions and electrical conductors.

Protect the control console cable from possible damage while performing checks.

1. Move the machine, if necessary, to an unobstructed area to allow for full elevation.
2. Pull Chassis Emergency Stop Switch to the ON position.
3. Pull Platform Emergency Stop Switch to the ON position.
4. Visually inspect the elevating assembly, lift cylinder, cables, and hoses for cracked welds and structural damage, loose hardware, hydraulic leaks, loose wire connections, and erratic operation. Check for missing or loose parts.
5. Test each machine function (Lift, Slew, Telescope) from the lower control station by pressing and holding the desired function button then moving the Analog Rocker to the Up or Down position (ref: chassis controls illustration on page 5)
6. Open the Emergency Lowering Valve (see Figure 3) by pulling the knob out to check for proper operation. When the platform is lowered, release the knob.
7. Push the Chassis Emergency Stop Switch to check for proper operation. All machine functions should be disabled. Twist the Chassis Emergency Stop Switch to resume.
8. Climb onto the cage.
9. Check that the route is clear of obstacles (persons, obstructions, debris), is level, and is capable of supporting the wheel loads.
10. Mount the platform and properly close the drop bar.
11. Test each machine function (Drive, Lift, Slew, Telescope, Platform Rotate, Cage Level) from the upper control station by pressing the desired function button then moving the Joystick to the Forward or Back position (ref: platform controls illustration on page 5)
12. Push the Platform Emergency Stop Switch to check for proper operation. All machine functions should be disabled. Pull out the Platform Emergency Stop Switch to resume.

## OPERATION

Before operating the work platform, ensure that the Pre-Operation Safety Inspection has been completed and that any deficiencies have been corrected. **Never operate a damaged or malfunctioning machine.** The operator must be thoroughly trained on this machine.

### ELEVATING THE PLATFORM

1. Select either the lower or upper boom lift function button (the button will illuminate to confirm selection).
2. While engaging the Interlock Switch, push the Control Handle forward.
3. If the machine is not level the tilt alarm will sound and the machine will not lift.

### LOWERING THE PLATFORM

1. Select either the lower or upper boom lift function button (the button will illuminate to confirm selection).
2. While engaging the Interlock Switch, pull the Control Handle backwards.
3. If the machine is not level the tilt alarm will sound and the machine will only descend.

## ROTATING THE PLATFORM

1. Select the rotate function button (the button will illuminate to confirm selection).
2. While engaging the Interlock Switch, move the Control Handle forwards or backwards to achieve clockwise or counter clockwise rotation.
3. If the machine is not level the tilt alarm will sound and the machine will not rotate.

## OPERATING THE TELESCOPE

1. Select telescope function button (the button will illuminate to confirm selection).
2. While engaging the Interlock Switch, move the Control Handle forwards or backwards to extend or retract the telescopic boom.
3. If the machine is not level the tilt alarm will sound and the telescope boom will only retract.

**NOTE:** The AB38W is equipped with a safety system preventing any drive motion when the machine is out of the stow position and with the telescope extended beyond a pre-set limit.

## LEVELLING THE CAGE

1. Select platform level function button (the button will illuminate to confirm selection).
2. While engaging the Interlock Switch, move the Control Handle forwards or backwards to adjust the floor angle of the cage (this can only be done when the machine is in the stowed position).
3. If the machine is not level the tilt alarm will sound and the machine will not operate.

## EMERGENCY LOWERING

### ⚠ WARNING ⚠

*If the platform should fail to lower, NEVER climb down the elevating assembly.*

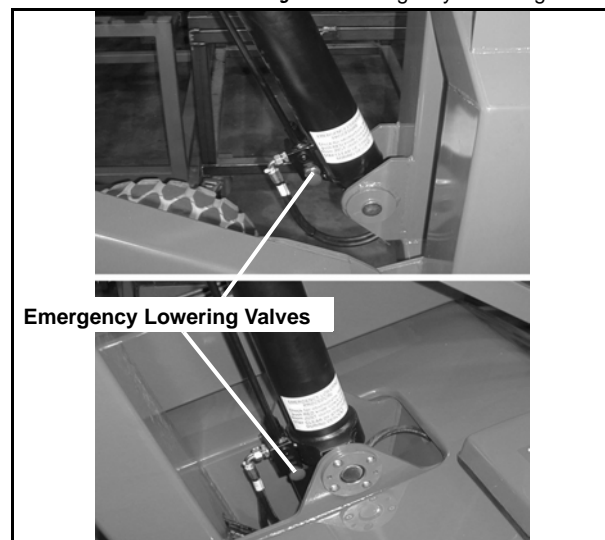
*Stand clear of the elevating assembly while operating the Emergency Lowering Valve Knob.*

Ask a person on the ground to open the Emergency Lowering Valve to lower the platform. The Emergency Lowering Valve is located on the base of each lift cylinder.

1. Open the Emergency Lowering Valve by pulling the knob out.
2. To close, release the knob.

**NOTE:** The platform will not elevate if the Emergency Lowering Valve is open.

Figure 3: Emergency Lowering Valve



## AFTER USE EACH DAY

1. Ensure that the platform is fully lowered.
2. Park the machine on a firm level surface, preferably under cover, secure against vandals, children and unauthorized operation.
3. Turn the Chassis Key Switch to OFF and remove the key to prevent unauthorized operation.

## TRANSPORTING THE MACHINE

### BY CRANE

Secure the straps to chassis lifting/tie down points only.

### BY FORKLIFT

**⚠ DANGER ⚠**

*Forklifting and Lifting by Crane are for transport only.*

*See specifications for weight of machine and be certain that forklift is of adequate capacity to lift the machine.*

Forklift from the side by lifting under the Chassis.

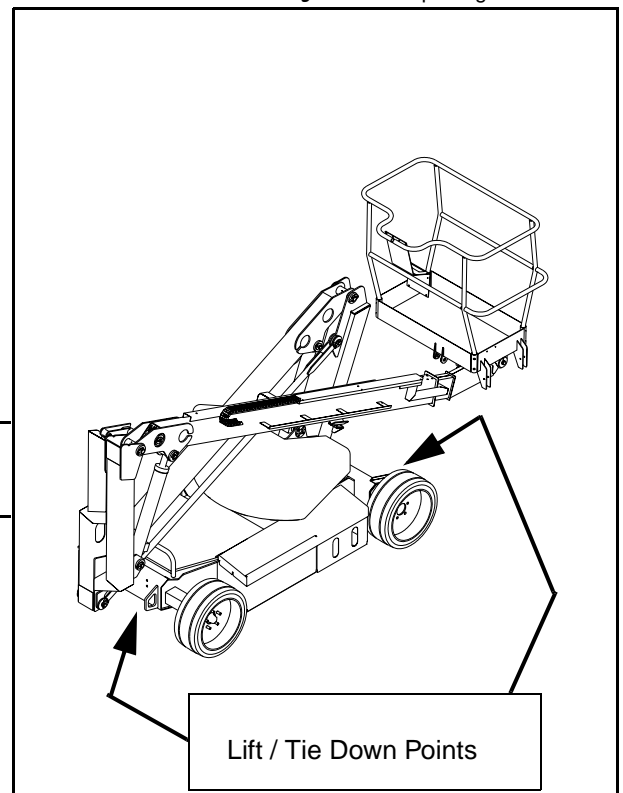
### BY TRUCK

1. Maneuver the machine into transport position and chock wheels.
2. Secure the machine to the transport vehicle with chains or straps of adequate load capacity attached to the chassis lifting/tie down points.

**CAUTION**

*Over tightening of the chains or straps attached to the Tie Down lugs may result in damage to the machine*

Figure 4: Transporting the Machine



### HOURLY METER

To access the hour meter function perform the following steps.

1. Climb into the basket (with the machine powered up)
2. Push the platform emergency stop button.
3. Hold down the following buttons, Horn, Telescope & Upper Boom Lift.
4. While holding the buttons twist the emergency stop button to return power to the machine.
5. "hr" will now be displayed on the read-out, Pressing the right turn button will scroll through the accumulated hours two digits at a time. For example, if pressing the right turn button once displays "20", pressing it a 2nd time displays "58", and pressing it a 3rd time displays "hr", the elapsed time of operation is 2058 hours.

# MAINTENANCE

## ⚠ WARNING ⚠

*Never perform service while the platform is elevated.*

### HYDRAULIC FLUID

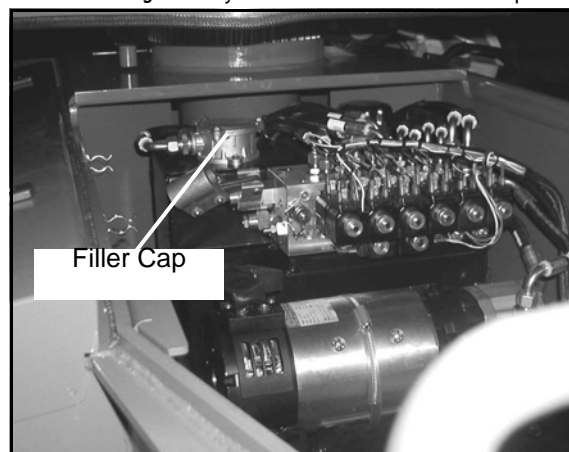
The hydraulic fluid reservoir is located in the chassis door.

**NOTE:** Never add fluid if the platform is elevated.

#### CHECK HYDRAULIC FLUID

1. Make sure that the platform is fully lowered.
2. Open the chassis door.
3. Remove the filler cap from the hydraulic fluid reservoir.
4. Check the fluid level on the dipstick on the filler cap.
5. Add the appropriate fluid to bring the level to show on the dipstick. See "Specifications" on page 14

*Figure 5:* Hydraulic Fluid Reservoir and Dipstick



## BATTERY MAINTENANCE

Figure 6: Access to Batteries

### ⚠ WARNING ⚠

*Hazard of explosive gas mixture. Keep sparks, flame, and smoking material away from batteries.*

*Always wear safety glasses when working near batteries.*

*Battery fluid is highly corrosive. Thoroughly rinse away any spilled fluid with clean water.*

*Always replace batteries with UpRight batteries or manufacturer approved replacements weighing 26,3 kg (58 lbs.) each.*



- Check the battery fluid level daily, especially if the machine is being used in a warm, dry climate.
- If electrolyte level is lower than 10 mm ( $\frac{3}{8}$  in.) above the plates add distilled water only. DO NOT use tap water with high mineral content, as it will shorten battery life.
- Keep the terminals and tops of the batteries clean.
- Refer to the Service Manual to extend battery life and for complete service instructions.

## BATTERY CHARGING

Charge the batteries at the end of each work shift or sooner if the batteries have been discharged.

Figure 7: Battery Charge Indicator

### ⚠ WARNING ⚠

*Charge the batteries in a well ventilated area.*

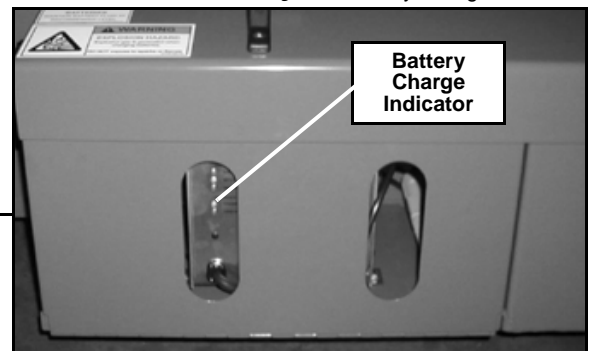
*Do not charge the batteries when the machine is near a source of sparks or flames.*

*Permanent damage to the batteries will result if the batteries are not immediately recharged after discharging.*

*Never leave the battery charger operating for more than two days.*

*Never disconnect the cables from the batteries when the charger is operating.*

*Keep the charger dry.*



1. Check the battery fluid level. If the battery fluid level is lower than 10 mm ( $\frac{3}{8}$  in.) above the plates add distilled water only.
2. Connect an appropriate extension cord to charger outlet plug in Right Module Door. Plug the extension cord into a properly grounded outlet of proper voltage and frequency.
3. The charger turns on automatically after a short delay. The LED charge indicator will illuminate. After completion of the charge cycle the LED will blink, indicating that the charger is in a continuing maintenance mode. DO NOT leave the charger plugged in for more than 48 hours, as permanent damage to the batteries may occur.

**NOTE:** The battery charger circuit must be used with a GFI (Ground Fault Interrupt) outlet.

**NOTE:** DO NOT operate the machine while the charger is plugged in.

## **INSPECTION AND MAINTENANCE SCHEDULE**

The Complete Inspection consists of periodic visual and operational checks, along with periodic minor adjustments that assure proper performance.

Daily inspection will prevent abnormal wear and prolong the life of all systems. The inspection and maintenance schedule should be performed at the specified intervals. Inspection and maintenance shall be performed by personnel who are trained and familiar with mechanical and electrical procedures.

### **! WARNING !**

---

*Before performing preventative maintenance, familiarize yourself with the operation of the machine.*

*Always block the elevating assembly whenever it is necessary to perform maintenance while the platform is elevated.*

---

The daily preventative maintenance checklist has been designed for machine service and maintenance. Please photocopy the Daily Preventative Maintenance Checklist and use the checklist when inspecting the machine.

# DAILY PREVENTATIVE MAINTENANCE CHECKLIST

## MAINTENANCE TABLE KEY

- Y = Yes/Acceptable
- N = No/Not Acceptable
- R = Repaired/Acceptable

## PREVENTATIVE MAINTENANCE REPORT

Date: \_\_\_\_\_

Owner: \_\_\_\_\_

Model No: \_\_\_\_\_

Serial No: \_\_\_\_\_

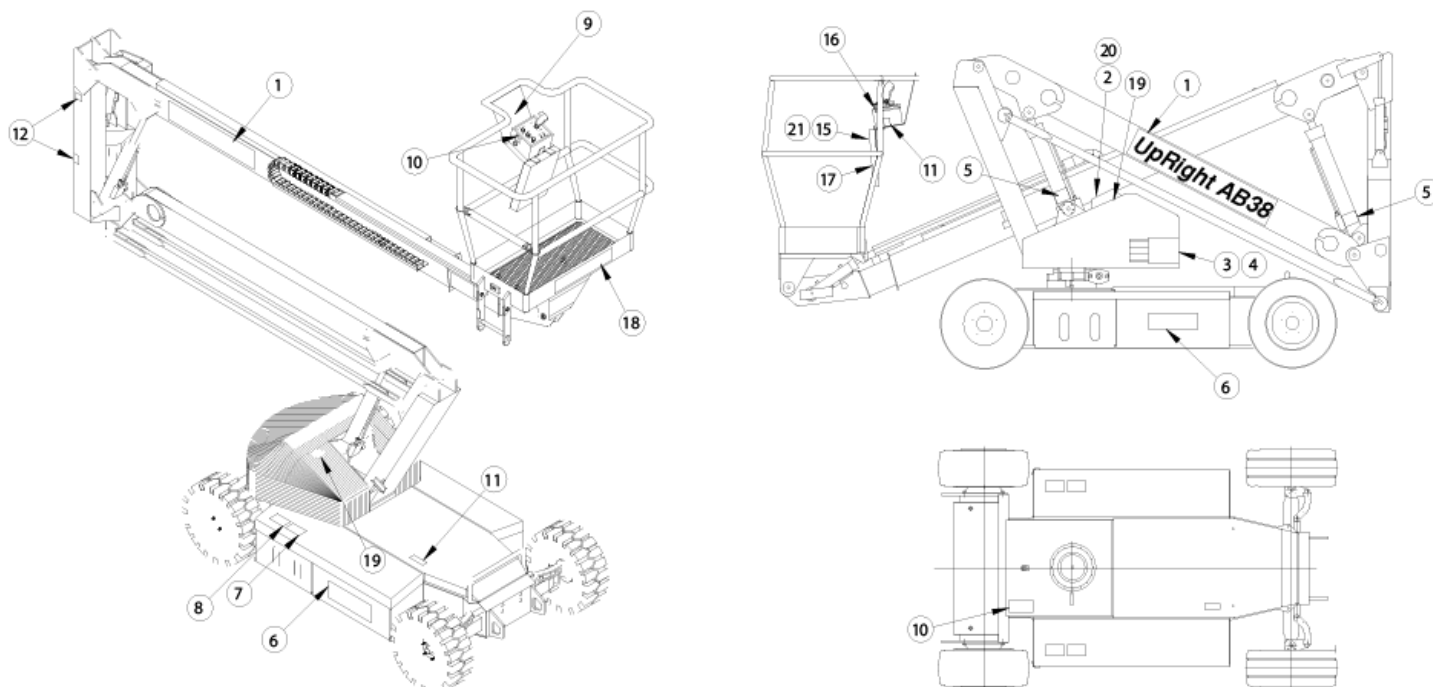
Serviced By: \_\_\_\_\_

COMPONENT	INSPECTION OR SERVICES	Y	N	R
Battery	Check electrolyte level.			
	Check battery cable condition.			
Chassis	Check hoses for pinch or rubbing points.			
	Check welds for cracks.			
Control Cable	Check the exterior of the cable for pinching, binding or wear.			
Controller	Check switch operation.			
Drive Motor/Gearbox	Check for operation and leaks.			
Elevating Assembly	Inspect for structural cracks.			
Emergency Hydraulic System	Operate the emergency lowering valve and check for serviceability.			
Entire Unit	Check for and repair collision damage.			
Hydraulic Fluid	Check fluid level.			
Hydraulic Pump	Check for hose fitting leaks.			
Hydraulic System	Check for leaks.			
Labels	Check for peeling, missing, or unreadable labels & replace.			
Platform Deck and Rails	Check welds for cracks.			
Platform Deck and Rails	Check condition of deck.			
Tires	Check for damage.			



# DECAL LOCATION

ITEM	PART NO.	DESCRIPTION	QTY.
1	500264-000	DECAL - UpRight AB38 BOOM	2
2	501870-000	DECAL - LOWER CONTROL BOX	1
3	500257-000	DECAL - AB38 LOGO	1
4	057695-000	DECAL - BALLAST STRIP	1
5	502480-000	DECAL - EMERGENCY LOWERING	2
6	057696-000	DECAL - 'UpRight' LOGO	2
7	057429-000	DECAL - BATTERY FLUID LEVEL	2
8	057430-000	DECAL - EXPLOSION HAZARD	2
9	057692-000	DECAL - IMPORTANT BEFORE USING	1
10	058472-000	NAMEPLATE	1
11	500467-000	DECAL - HANDPUMP	1
12	058881-001	DECAL - HAZARD TAPE	2
13	058080-000	DECAL - CAGE LEVELLING	1
14	058186-000	DECAL - ON/OFF UPPER CONTROL	1
15	500423-006	OPERATOR MANUAL CE	1
16	501869-000	DECAL - UPPER CONTROL BOX	1
17	058181-000	DECAL - 3 POINT	1
18	057392-000	DECAL - S.W.L. LARGE	1
19	058860-000	DECAL - PINCH POINT	2
20	500438-000	DECAL - LOWER CONTROL COVER	1
21	500422-006	SERVICE & PARTS MANUAL	1



**SPECIFICATIONS****Table 1-1 : Specifications**

ITEM	METRIC	IMPERIAL
Duty Cycle	45% of 8 hour shift	
Platform Size	0.7 m x 1.3 m (inside guardrails)	
Max. Platform Capacity		
CE Version	200kg (W) or 215kg (N)	441lbs(W) or 475lbs (N)
ANSI Version	215 kg	475 lbs
Max. Number of Occupants	2 People	2 People
Height		
Maximum Working Height	13.45 m	44.12 ft
Maximum Platform Height	11.45 m	37.56 ft
Min. Platform Floor Height	0.65 m	2.13 ft
Max. Working Outreach	6.10 m	20.00 ft
Platform Height at		
Maximum Outreach	5.40 m	17.72 ft
Stowed Dimensions		
Length	4.04 m	13.25 ft
Width	1.72m (W) or 1.5m (N)	5.61ft (W) or 4.92 ft (N)
Height	2.00 m	6.56 ft
Ground Clearance	0.13 m	0.43 ft
Wheel Base X Guage	2.00m x 1.49m (W) or 1.27m (N)	6.56 ft (W) x 4.16 ft (N)
Rotation	362 degrees non-continuous	362 degrees non-continuous
Gross Weight-CE Version	3200kg (W) or 3800kg (N)	7055lbs (W) or 8378lbs (N)
Gross Weight-ANSI Version	3400kg (W) or 4108kg (N)	7496lbs (W) or 9057lbs (N)
Drive Speed Stowed	0 - 4 km/h	0 - 2.49 mph
Drive Speed Elevated	0 - 0.72 km/h	0 - 0.45 mph
Maximum Gradeability	36%	36%
Inside Turning Radius	0.40 m	1.31 ft
Outside Turning Radius	2.66 m (W) or 2.4 m (N)	8.72ft (W) or 7.87ft (N)
Power Source	48V DC 4kw, 8 x 6V 220Ah Batteries	48V DC 5.4 HP, 8 x 6V 220Ah Batteries
System Voltage	48V	48V
Battery Charger	48V 25A 220/110VAC 50/60 Hz	48V 25A 220/110VAC 50/60 Hz
Hydraulic Tank Capacity	25 Litres	6.5 Gallons US
Max. Hydraulic Pressure	175 bar	2540 psi
Hydraulic Oil	ISO #46	ISO #46
Lift System	2 Double acting lift cylinders with Lock Valves and Manual Emergency Lowering Facility. 1 Double Acting Telescopic Cylinder	2 Double acting lift cylinders with Lock Valves and Manual Emergency Lowering Facility. 1 Double Acting Telescopic Cylinder
Control System	One handed Proportional Joystick Operating Energy Efficient Motor Control System	One handed Proportional Joystick Operating Energy Efficient Motor Control System
Wheels/Tyres	400 mm Diameter Steel Disc Wheel with Solid all Surface tyres	15.75 inch Diameter Steel Disc Wheel with Solid all Surface tyres
Braking	Automatic Spring Applied Hydraulic Release	Automatic Spring Applied Hydraulic Release
Sound Pressure Level at	70 db(A)	70 db(A)



**Local Distributor:**

**Lokaler Vertiebshändler:**

**Distributeur local:**

**El Distribuidor local:**

**Il Distributore locale:**

**USA**

TEL: +1 (559) 443 6600  
FAX: +1 (559) 268 2433



[www.upright.com](http://www.upright.com)

**Europe**

TEL: +44 (0) 845 1550 058  
FAX: +44 (0) 195 2299 948

PN - 500423-006