



INSTRUCTIONS

-J05751

REV. 2013-05-01

OUTER FAIRING SKIRT

GENERAL

Kit Number

57100227

Models

For model fitment information, see the P&A Retail Catalog or the Parts and Accessories section of www.harley-davidson.com (English only).

Kit Contents

This kit contains one outer fairing skirt. There are no service parts available for this kit.

Additional Parts Required

⚠ WARNING

The rider's safety depends upon the correct installation of this kit. Use the appropriate service manual procedures. If the procedure is not within your capabilities or you do not have the correct tools, have a Harley-Davidson dealer perform the installation. Improper installation of this kit could result in death or serious injury. (00333a)

NOTE

This instruction sheet references service manual information. A service manual for your model motorcycle is required for this installation and is available from a Harley-Davidson dealer.

REMOVAL

⚠ WARNING

To prevent accidental vehicle start-up, which could cause death or serious injury, remove main fuse before proceeding. (00251b)

1. Remove main fuse.
2. Remove outer fairing and windshield following the instructions in the service manual.
3. Remove front turn signals following the instructions in the service manual.
4. See Figure 1. Remove the stock fairing skirt. Save double studs (2) for installation.

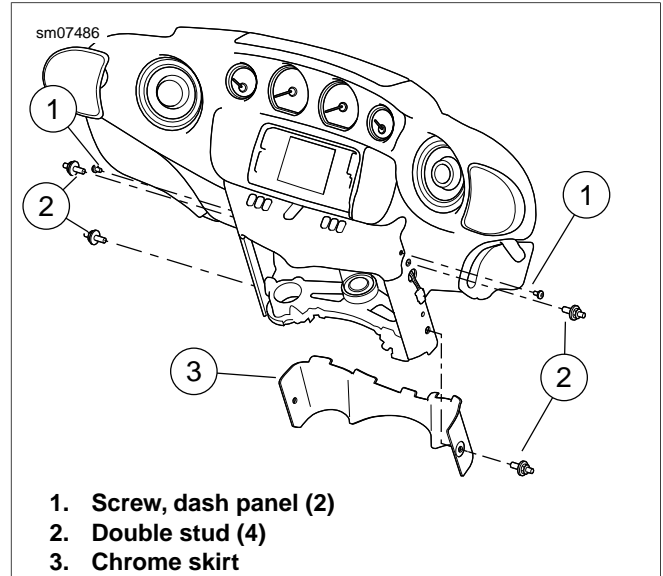


Figure 1. Inner Fairing and Skirt

INSTALLATION

1. See Figure 1. Install new fairing skirt with double studs (2).
Tighten double studs to 120-180 **in-lb** (13.6-20.3 Nm).
2. Install front turn signals following the instructions in the service manual.
3. Install outer fairing and windshield following the instructions in the service manual.

KIT CONTENTS

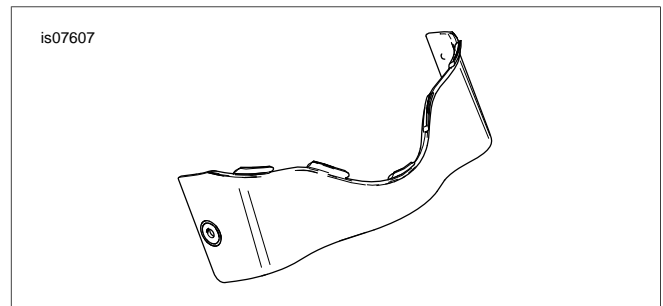


Figure 2. Kit Contents: Outer Fairing Skirt