



HAMPTON[®]
CAST IRON FIREPLACES



cast iron
fireplaces



why choose Hampton?

Almost 30 years ago, I founded this company with a mission to produce the finest fireplace products available anywhere. The Hampton line is the result of millions of dollars in product development, years of research and listening to what consumers are looking for in a fireplace: timeless styling, exceptional quality and a way to cut home heating costs.

Hampton Quality

The rich, porcelain, enamel finish of each Hampton cast iron product is a work of art. Select the tasteful glass grill, one of four fashionable colors, side shelves, double screen doors and create your own Hampton.

Exceptional Fire

Without question, the Hampton fire is the best in the industry. Gas fires feature dancing flames and glowing embers, wood fires reveal the age old joy of the snap of wood as it catches fire and the curl of yellow flames from glowing embers.

Cut Fuel Bills in Half

Turn your furnace down and enjoy comforting Hampton heat in the living

areas you spend time in. Have peace of mind, even during power outages. All Hampton products continue to operate without electricity.

One Hampton = One Tree

At Hampton Fireplaces, we are committed to protecting our environment. For every Hampton sold, we will plant a tree. Working with *American Forests*, the trees planted across North America will offset carbon emissions and take one more step to restore nature's balance.

Lifetime Warranty

I am so confident in the quality workmanship, the finest materials and durable heavy-duty construction invested in each and every product, that I offer a Limited Lifetime Warranty. I know that you will be as proud of your Hampton as I am – I guarantee it.

Robert Little
Founder & CEO



index

Hampton Wood Inserts HI300 & HI200	4
Hampton Wood Stoves H300 & H200	6
Hampton Gas Stoves H35, H25, H15	8
Hampton Gas Fireplaces P36, P36D	10
Hampton Gas Inserts U31, U32	11
Technical specs	12



Hampton® HI200 & HI300 Wood Inserts



Hampton HI300 Wood Insert in enamel timberline brown finish.

High Efficiency Heat

The Hampton cast wood inserts install easily into your existing fireplace adding the timeless beauty of cast iron while eliminating drafts from an open fireplace. These fireplace inserts can deliver up to 75,000 BTU of high efficiency heat, circulating comforting warmth to the living areas you spend time in. Decrease your heating bills and increase the value of your home with one of two inserts sized to fit your fireplace and your lifestyle.



Hampton HI200 Wood Insert in metallic black finish.



HI300 shown with oversize faceplate, in metallic black finish.



HI300 in metallic black finish.



HI200 in enamel timberline brown finish.

Specifications	HI300	HI200
	Medium	Small
Maximum BTU	75,000	55,000
Optimum efficiency	77%	73.8%
Emissions (grams/h)	3.8	3.0
Firebox size	2.3 cu. ft.	1.4 cu. ft.
Maximum log size	18"	16"

Min. Fireplace Opening	HI300	HI200
Width (front)	25"	23"
Height	21-1/2"	19"
Depth	17-1/2"	13-3/4"
Depth (with offset flue)	--	16-1/2"

Standard Features

- EPA Certified
- Non-catalytic technology
- Single rod draft control
- Airwash system
- Brick-lined firebox
- Ceramic safety glass
- Burn time: up to 8 hrs.
- 6" flue

Optional Features

- Metallic black or timberline brown finish
- 2-speed blower
- Surrounds in two sizes (HI300)
- Standard or 4-1/2" offset flue adaptor (HI200)
- Stainless steel liner kit



Hampton® H200 & H300 Wood Stoves



Hampton H300 large wood stove shown with optional side shelves in an enamel timberline brown finish.

Comfort and Convenience

Convenient and efficient, these wood stoves will keep your home comfortable all year – even during power outages. Add a two speed blower to circulate even more heat to every part of your room. All Hampton wood products are certified by the Environmental Protection Agency (EPA) and meet strict clean air standards. Available in two sizes including a hearth mount version, Hampton wood stoves work hard and look great!



Hampton H200 medium wood stove in charcoal gray finish.



H300 shown in enamel slate blue finish.



H300 shown in enamel ivory finish.



H200 shown with short cast legs, timberline brown finish.

Specifications	H300	H200
	Medium	Small
Maximum BTU	45,500	38,800
Optimum efficiency	74%	74%
Emissions (grams/h)	4.1	3.9
Firebox size	1.71 cu. ft.	1.34 cu. ft.
Maximum log size	18"	16"
Burn time (typical)	up to 8 hrs.	up to 6 hrs.

* Length of burn time and BTU range depend on type of wood, climate conditions and installation.

Standard Features

- EPA Certified
- Non-catalytic technology
- Airwash system
- Single rod draft control
- Front and side door loading (H300)
- Cast iron cooktop surface (H300)
- Brick-lined firebox
- Ceramic safety glass
- Top or rear vent
- 6" flue

Optional Features

- Metallic black, enamel timberline brown, enamel ivory (H300), enamel slate blue (H300) finish
- Matching side shelves
- Short cast legs
- Two speed blower
- Outside air adaptor
- Ash drawer (use with standard legs only)



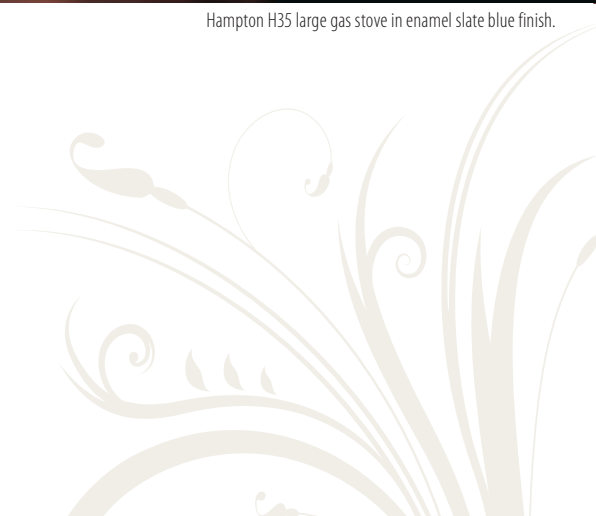
Hampton® H15, H25, H35 Gas Stoves



Hampton H35 large gas stove in enamel slate blue finish.

Outstanding Fire

Hampton's beautiful styling is matched by its unsurpassed fire and log package. Convenient gas flames have been carefully engineered to twist and flicker in yellows and reds around the most realistic logs available anywhere today. In addition – this fire is designed to deliver controllable high efficiency heat with the added option of a wall thermostat or FireGenie Remote Control. Available in 3 sizes, these gas stoves will heat anywhere while saving money on your heating bill.





Hampton H25 medium gas stove in enamel timberline brown finish with decorative glass grill.



H35 in enamel ivory finish with decorative glass grill



H25 in charcoal gray finish with decorative glass grill



H15 in enamel slate blue finish

Specifications	H35	H25	H15
Natural Gas	Large	Medium	Small
Maximum BTU	36,000	25,000	18,000
Turn down to (BTU)	18,000	12,500	10,500
EnerGuide rating (Canada only)	68.34%	61.15%	62.31%
Efficiency	83%	83%	80%
Propane			
Maximum BTU	34,000	23,000	18,000
Turn down to (BTU)	17,500	11,500	10,600
EnerGuide rating (Canada only)	69.72%	61.63%	62.31%
Efficiency	85%	85%	82%

Standard Features

- Flame height adjustment with up to 50% turndown
- Heavy-duty ceramic safety glass
- Top mounted easy access controls
- Reversible flue for top or rear venting

Optional Features

- Charcoal gray, enamel slate blue, ivory or timberline brown finish
- Decorative glass grill (included with H15)
- Double screen doors (H35 only)
- Standard brick panels (H35 only)
- Variable speed blower
- FireGenie® remote control
- Wall thermostat
- AstroCap™ vent system
- Color match vent paint
- LP conversion kit
- BTU reduction kit (H35 only)

Hampton® P36 & P36D Medium Gas Fireplaces



Hampton P36 gas fireplace in enamel timberline brown finish.

A Direct Vent Fireplace ... anywhere.

Direct vent technology allows you to install your unique Hampton fireplace almost anywhere in your home without a costly chimney system. The fireplace simply vents directly to the outside of your home, either through a wall or up through your roof.

Standard Features

- Flame height adjustment with up to 50% turndown
- Heavy-duty ceramic safety glass
- Easy access faceplate mounted controls

Optional Features

- Grills and surrounds in metallic black or enamel timberline brown
- Enamel door frame (timberline brown)
- Double screen doors (metallic black only)
- Brick panels in standard or herringbone design
- FireGenie® remote control
- Wall thermostat
- AstroCap™ vent system
- LP conversion kit

Specifications	P36		P36 Deep	
	NG	LP	NG	LP
Maximum BTU	30,000	30,000	30,000	30,000
Turn down to (BTU)	15,500	15,500	15,500	15,500
EnerGuide rating (Canada only)	62.7%	62.7%	64.62%	64.62%
Efficiency	82%	82%	82%	82%

Hampton® U31 & U32 Gas Fireplace Inserts



Hampton U32 gas fireplace insert in enamel metallic brown finish.

Upgrade your drafty fireplace

The Hampton Fireplace Insert slides easily into your existing masonry fireplace to eliminate drafts and provide 30,000 BTU of heat instantly to any room; even during power outages.

Specifications	U31		U32	
	NG	LP	NG	LP
Maximum BTU	30,000	27,500	30,000	30,000
Turn down to (BTU)	14,500	13,700	15,300	15,000
EnerGuide rating (Canada only)	52.9%	48.07%	57.17%	57.17%
Efficiency	76%	77%	76%	77%

Standard Features

- Flame height adjustment with up to 50% turndown
- Heavy-duty ceramic safety glass
- Blower
- Easy access faceplate mounted controls

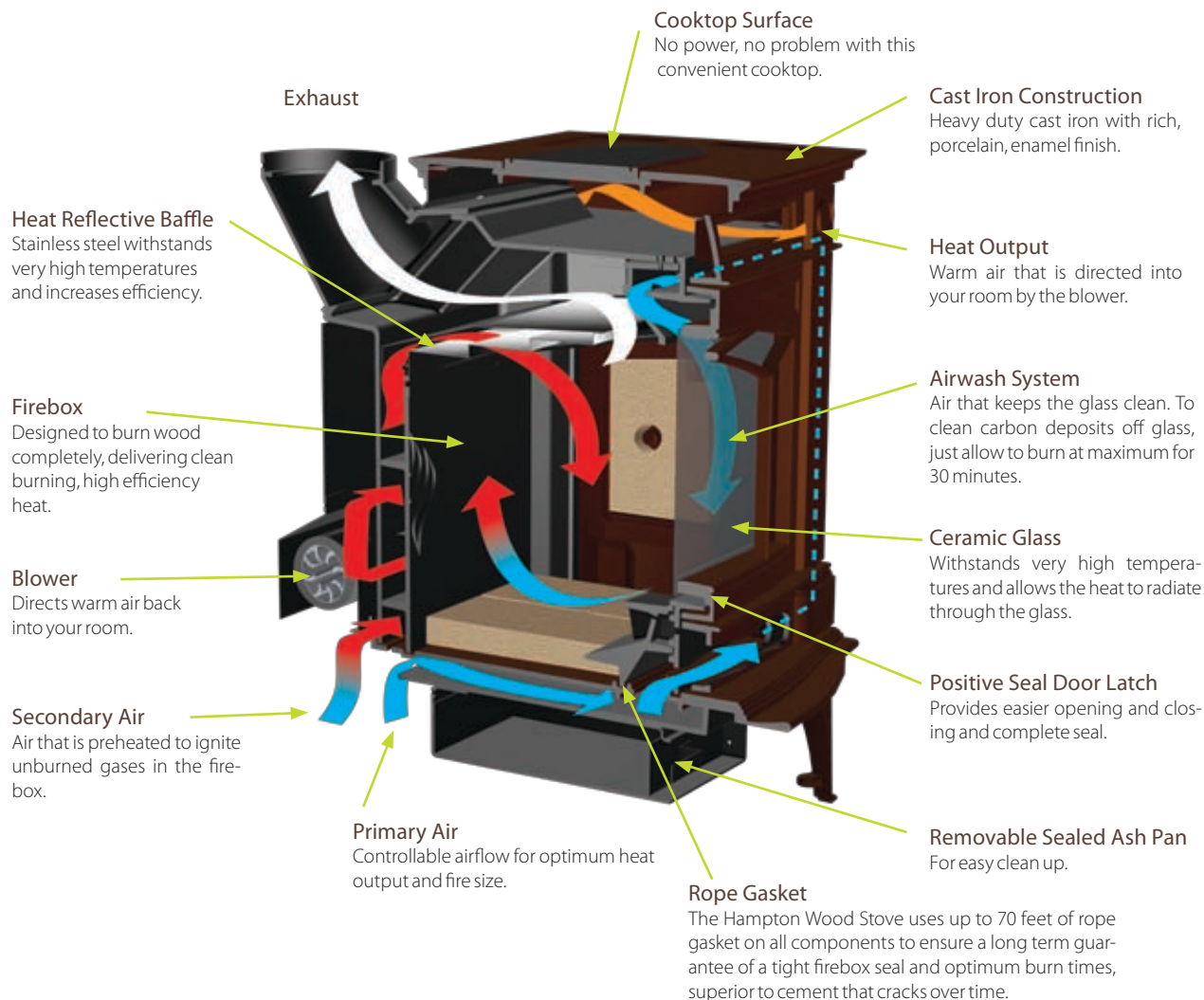
Optional Features

- Grills and surrounds in metallic black or enamel timberline brown
- Enamel door frame (timberline brown)
- Double screen doors (metallic black only)
- Brick panels in standard or herringbone design
- FireGenie® remote control
- Wall thermostat
- Flexible chimney liner (U31/U32)
- LP conversion kit

Hampton® Wood Products

Non-catalytic Technology

Hampton stoves use non-catalytic technology. This means that the airflow in the firebox is directed to reburn smoke, creating greater efficiency, a spectacular fire and cleaner emissions.



burning wood - a green choice

Renewable Resource

Wood is a renewable natural resource - well-managed forests are a renewable, sustainable source of energy that helps us reduce greenhouse gas emissions and be less dependent on oil & gas.

Wood is Carbon Neutral

As trees grow they absorb carbon dioxide from the atmosphere. When trees die and are left to decompose in the forest or burn in forest fires the carbon stored in the trees is released in the atmosphere as carbon dioxide.

Burning firewood produces the same amount of carbon dioxide as the tree has absorbed during its life cycle - making wood burning carbon neutral.

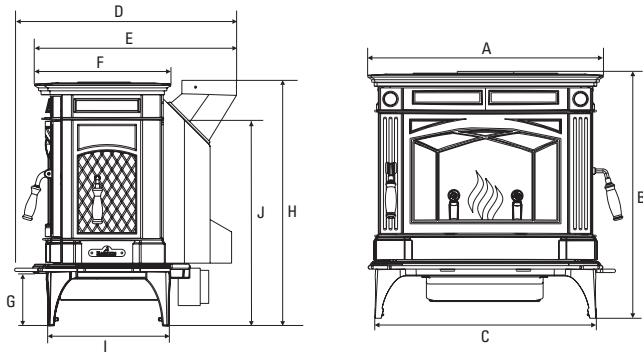
All Hampton Wood Stoves and Fireplace Inserts have been tested and certified to the strictest clean air standards as set by the Environmental Protection Agency.

One Hampton = One Tree

At Hampton Fireplaces, we are committed to protecting our environment. For every Hampton sold, we will plant a tree. Working with American Forests, the trees planted across North America will offset carbon emissions and take one more step to restore nature's balance.



wood stoves

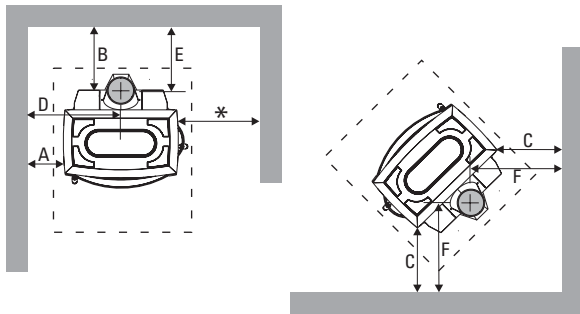


Dimensions	H200	H300
A	23-7/8"	27"
B	27-5/8"	29-3/4"
B (short legs)	22-5/8"	24-3/8"
C	22-1/8"	25-1/2"
D	25-1/8"	26"
E	21"	24"
F	16"	16-1/8"
G	7"	7-1/8"
H	28-3/4"	30-1/4"
H (short legs)	23-3/4"	24-3/4"
I	15"	15"
J*	25-7/8"	27-1/4"
J* (short legs)	21"	22-1/8"

* to center line if rear vented.

Specifications	H200	H300
EPA Certified	Yes	Yes
Optimum Efficiency	74%	74%
Emissions (grams/hr)	3.9	4.1
Maximum BTU*	38,800	45,500
Typical Sq. Ft. Heated	400-1,000	800-2,000
Maximum Log Size	16"	18"
Firebox Size	1.34 cu. ft.	1.71 cu. ft.
Flue size	6"	6"
Burn time (typical)*	up to 6 hrs	up to 8 hrs.
Shipping Weight	425 lb	500 lb

* Length of burn time and BTU range depend on type of wood, climate conditions and installation.

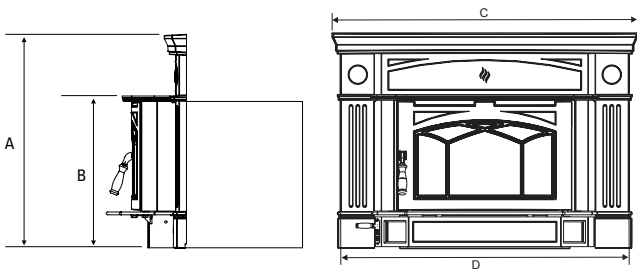


Minimum Clearance To Combustibles		A	B	C	D	E	F
H300	Residential Installation "C" Vent	17"	15"	13"	30"	15"	19"
	Residential Close Clearance	15"	10"	9"	28"	10"	15"
	Mobile Home Close Clearance	15"	10"	9"	28"	10"	15"
H200	Residential Installation "C" Vent	17"	15"	13"	29"	17-1/8"	19-7/8"
	Residential Close Clearance	15"	10"	9"	27"	12-1/8"	15-7/8"
	Mobile Home Close Clearance	15"	10"	9"	27"	12-1/8"	15-7/8"

Note: In Canada floor protection must extend 18" to the front and 8" to the sides and back. With side load door floor protection must extend 18" to the side. In US same as above except floor protection extends 6" to sides and back.

*Minimum clearance with side load door is 18" to side wall. Refer to dimension (B) for clearance without side load door.

wood inserts

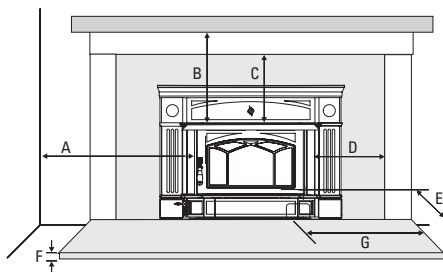
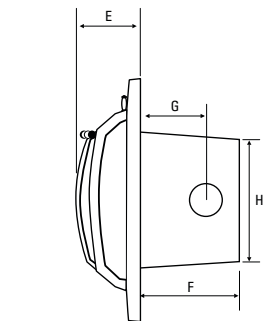


Dimensions	HI200	HI300	HI300 oversize
A	27-1/4"	30"	34-5/8"
B	--	21-1/2"	21-1/2"
C	39-13/16"	42-1/2"	51-3/4"
D	38-5/16"	40"	48-1/8"
E	6-3/8"	11-3/8"	11-1/4"
F	15-1/16"	17-1/4"	17-1/4"
G	9-5/8"	11-1/8"	11-1/8"
G (offset adaptor)	14-1/8"	--	--
H	21-1/4"	23-1/4"	23-1/4"

Specifications	HI-200	HI-300
EPA Certified	Yes	Yes
Optimum Efficiency	73.8%	77%
Emissions (grams/hour)	3.0	3.8
Maximum BTU*	55,000	75,000
Typical Sq. Ft. Heated	600-1,000	1,000-2,000
Maximum Log Size	18"	18"
Firebox Size	1.4 cu.ft.	2.3 cu.ft.
Flue size	6"	6"
Burn time (typical)*	up to 8 hrs.	up to 8 hrs.
Shipping Weight	258 lb.	500 lb.

* Length of burn time and BTU range depend on type of wood, climate conditions and installation.

Minimum Fireplace Opening	HI200	HI300
Width (front)	23"	25"
Height	19-5/8"	21-1/2"
Depth (w/ standard flue adaptor) (w/ offset flue adaptor)	13-3/4" 16-1/2"	17-1/2"



Masonry & Factory Built Fireplace Clearances

The minimum required clearances to combustible materials when installed into a masonry fireplace are:

	Adjacent Side Wall (to side)	Mantel (to top)	Top Facing (to top)***	Side Facing (to side)***	Min. Hearth Extension*	Min. Hearth Elevation*	Min Hearth Side Extension**
HI200	A	B	C	D	E	F	G
	15"	20"	14"	7-3/8"	18"CA/16"US	1-1/2"	8"6" US
HI300	11"	20"	12"	8"	18"CA/16"US	0.5"	8"

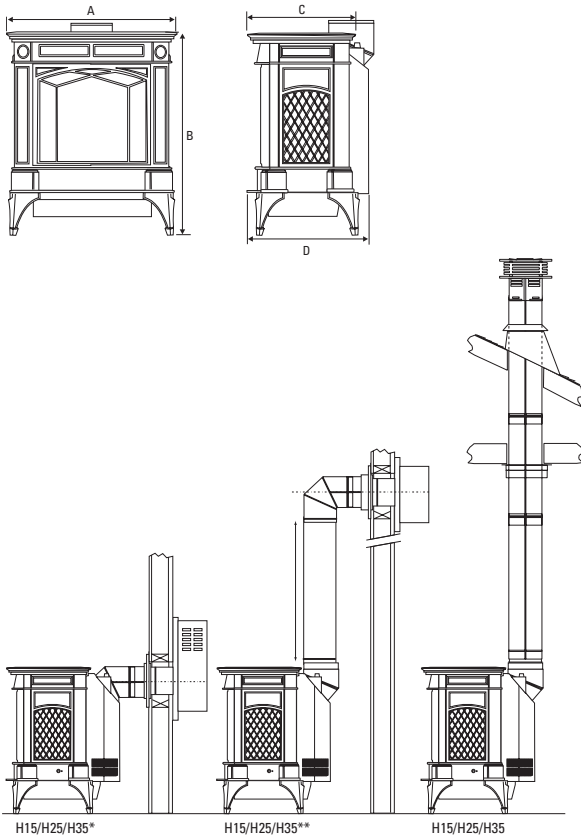
* Note: If the hearth extension is flush with the floor (item F) it must extend 19.5 in. in front of the body face (item E).

** Note: Hearth extension width (G) is measured from edge of fuel door to side of hearth.

*** up to 1-1/2" thick

Hampton® Gas Products

gas stoves

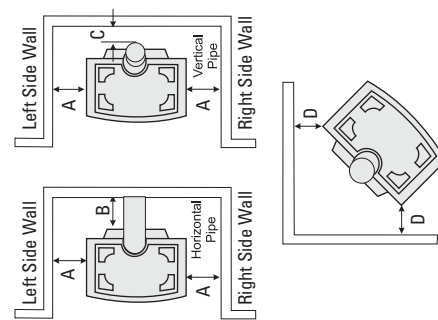


Dimensions	H15	H25	H35
A	20-11/16"	22-5/8"	27"
B	22-1/2"	27"	28"
C	14-1/4"	14-1/4"	19-3/4"
D	16-3/16"	16-7/16"	21"
Shipping Weight	182 lbs.	196 lbs.	308 lbs.

Specifications	H15		H25		H35	
	NG	LP	NG	LP	NG	LP
Maximum BTU	18,000	18,000	25,000	23,000	36,000	34,000
Turn down to (BTU)	10,500	10,600	12,500	11,500	18,000	17,500
EnerGuide rating (Canada only)	62.31%	62.31%	61.15%	61.63%	68.34%	69.72%
Efficiency	80%	82%	83%	85%	83%	85%

Clearances To Combustibles	H15	H25	H35
A Side Wall To Unit	6"	6"	6-1/2"
B Back Wall To Unit	0"	3"	6"
C Vertical Vent to Back Wall	2"	2"	2"
D Side Wall To Unit (Corner)	2"	2"	2"

Minimum clearance of vent terminal to outside corner and inside corner: AstroCap™ 6", Dura-Vent Cap 12"



* The H15 can be vented horizontally with the AstroCap™ system. For rear vent applications, H25 requires a riser vent; H35 requires a riser vent and BTU reduction kit.
 ** H35 requires minimum 1ft. rise.

NOTE: PRODUCT SPECIFICATIONS ARE SUBJECT TO CHANGE WITHOUT NOTICE. BEFORE INSTALLING REFER TO THE RELEVANT PRODUCT MANUAL FOR FULL AND UP TO DATE INFORMATION.

H15: Tested to the following standards:ANSIZ21.88-2003/CSA33-2002, CGA 2-17-M91

H25: Tested to the following standards: Gas-Fired Appliances For Use At High Altitudes CGA 2-17-M91, Vented Gas Fireplace Heaters ANS Z21.88a-2000/CSA 2.33a-2000. Certified for Canada and the US.

H35: Tested to the following standards: CGA 2-17-M91, ANSIZ21.88b-1999/CSA 2.33b-M99. Certified for Canada and the US.

H15, H25 and H35 are approved for bedroom, alcove and mobile home installations.

All products tested to the following standards: GRAVITY DIRECT VENT WALL FURNACE TESTED AND APPROVED FOR U.S.A. AND CANADA TO: CAN/CGA-2.17-M91, ANSIZ21.88b-1999/CSA 2.33b-M99.

accessories

FireGenie® Remote Control

Turn your Hampton on and off from the comfort of your sofa with the easy-to-use FireGenie.



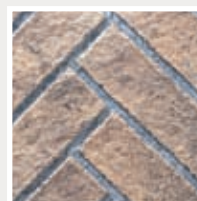
Programmable Thermostat

Set a specific temperature with a Hampton wall thermostat and maintain a constant comfort level in your home.

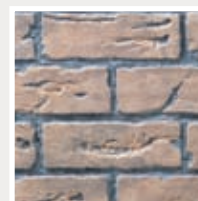
Brick Panels

Add one of three fully textured brick panels.

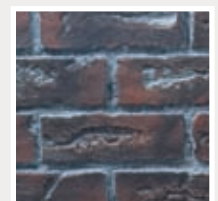
Note: Herringbone is not available for the H35.



Herringbone - Rustic Brown

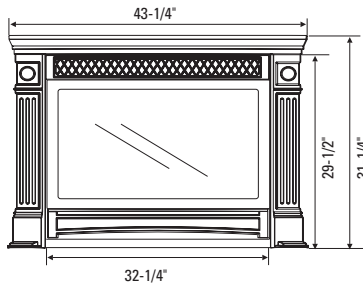


Standard - Rustic Brown

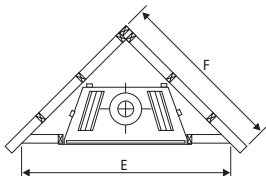


Standard - Old Town Red

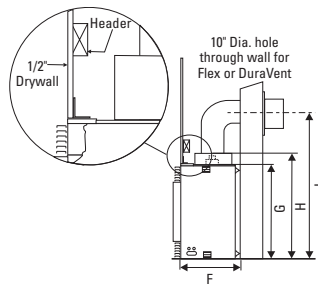
gas fireplaces



Corner Framing - Top View

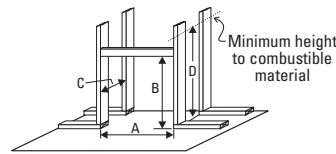


Minimum Termination Center Line

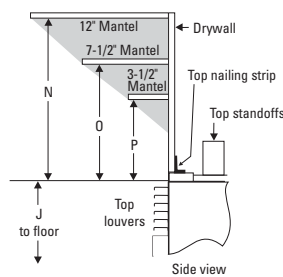


Specifications		P36	P36 Deep
Maximum BTU	Natural Gas	30,000	30,000
	Propane	30,000	30,000
Turn Down to (BTU)	Natural Gas	15,500	15,500
	Propane	15,000	15,000
EnerGuide Rating (Canada only)	Natural Gas	62.7%	64.62%
	Propane	62.7%	64.62%
Efficiency	Natural Gas	82%	82%
	Propane	82%	82%

Flush Framing - Front View



Mantel Clearances - Side View

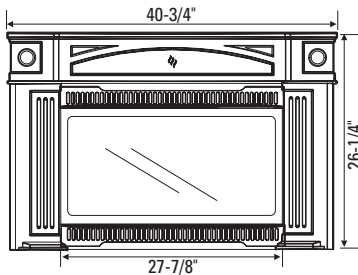


Framing	P36	P36 Deep
A	36-1/4"	36-1/4"
B	36-1/4"	37-1/4"
C	12-3/4"	17"
D	46"	46-1/2"
E (corner)	60"	68"
F (corner)	42-7/16"	48"

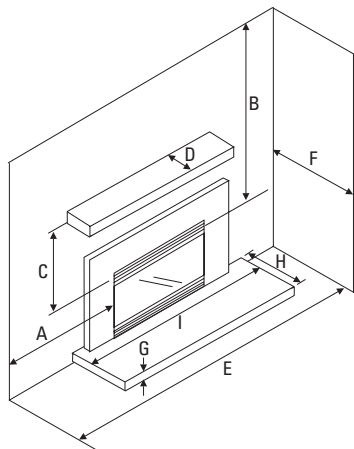
Minimum Termination Center Line		
	P36	P36 Deep
F	12-3/4"	17-1/8"
G	32-1/2"	32-1/2"
H	36"	37"
I	40-1/2"	40-1/2"

Mantel Clearances		
	P36	P36 Deep
J	30-1/2"	30-1/2"
N	14"	14"
O	10"	10"
P	7"	7"

gas fireplace inserts



* 4" hearth trim available for taller fireplace openings.



Specifications		U31	U32
Maximum BTU	Natural Gas	30,000	30,000
	Propane	27,500	30,000
Turn Down to (BTU)	Natural Gas	14,500	15,300
	Propane	13,700	15,000
EnerGuide Rating (Canada only)	Natural Gas	52.9%	57.17%
	Propane	48.07%	57.17%
Efficiency	Natural Gas	76%	76%
	Propane	77%	77%

Minimum Fireplace Opening		
	U31	U32
Width	26-1/2"	26-1/2"
Height	21"	22"
Depth	15"	14"

Canada

ENERGUIDE

Look for the EnerGuide Gas Fireplace Energy Efficiency Rating in this brochure

Based on CSA P.4.1-02

Clearances To Combustibles		
	U31	U32
A Side Wall	10"	
B Ceiling	47-1/2"	
C Mantel	17"	
D Mantel depth	12"	
E Alcove Width	48"	
F Max. Alcove Depth	36"	

Non-Combustible Hearth Requirements		
	U31	U32
G Hearth Thickness	0"	
H Hearth Depth	16"	
I Hearth Width	40"	

NOTE: All product specifications are subject to change without notice. Before installing, refer to the relevant product manual for full and up to date information.

Color and tone variations are a natural result of the enameling process. Actual colors may not appear exactly as shown.

U31: Tested to the following standards: GAS FIRED VENTED ROOM HEATER TESTED TO: ANSI Z21.88a-1998/CSA 2.33a-M98, CAN 1-2.1-M86, CAN/CGA 2.17-M91. Certified for Canada and the US.

U31 is bedroom and alcove approved.

U32: Tested to the following standards: GAS FIRED VENTED ROOM HEATER TESTED TO: ANSI Z21.88-1998/CSA 2.33-M98, CAN/CGA 2.17-M91. Certified for Canada and the US.

U32 is bedroom, alcove and mobile home approved.

All products tested to the following standards: GRAVITY DIRECT VENT WALL FURNACE TESTED AND APPROVED FOR U.S.A. AND CANADA TO: CAN/CGA-2.17-M91, ANSI Z21.88b-1999/CSA 2.33b-M99.



design your own fireplace

Your Hampton® matches your home and lifestyle perfectly. How do we know that? Because you designed it yourself!

Visit www.hampton-fire.com today and surf through our selection of products and accessories to design your own fireplace. The endless options are just a click away! Change the style until you have your perfect fireplace... then ask your friends and family for their opinion!

Click on Fireplace Design Centre at www.hampton-fire.com and then visit your authorized local dealer to design your own fireplace.

fireplace selection worksheet

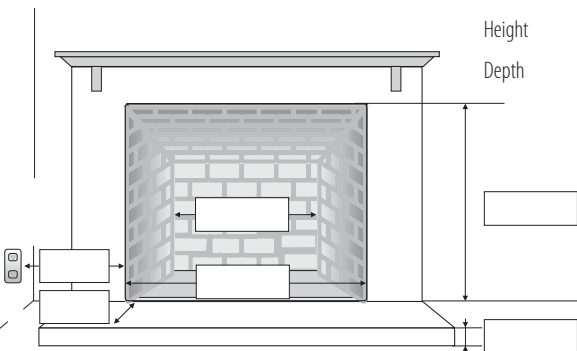
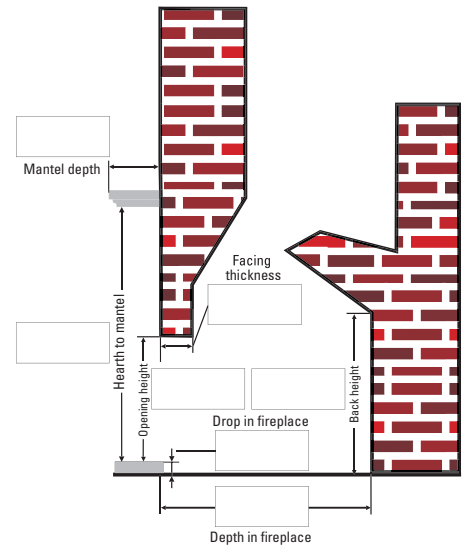
We want you to enjoy your beautiful Hampton fireplace for years to come. To help you figure out which product is just right for your home, fill in the following worksheet. Once complete, visit your nearest Hampton dealer. Your professional dealer will assess your needs - including local building codes - and install your Hampton.

1. BASIC PRODUCT FUNCTION QUESTIONS

- a. I would like my inbuilt to provide me with: Supplemental heating Priority heating
- b. The room/rooms I would like to heat are: _____ Square feet
- c. My fuel source will be: Natural gas Propane
- Has gas been piped to the proposed fireplace area? Yes No

2. FIREPLACE PRODUCT TYPE AND MEASUREMENTS

- a. I am: Installing a new fireplace Installing into an existing fireplace
- b. Fill in the following measurements:
- Ceiling Height: _____
- Location in the room: _____
- Flooring material: _____
- Wall material: _____
- Ceiling material: _____
- c. What is the:
- Width (front) _____
- Width (back) _____
- Height _____
- Depth _____
- d. Fireplace opening dimensions



www.hampton-fire.com

your hampton dealer