

Service  
Service  
Service



Philips Consumer Lifestyle

# Service Manual

## PRODUCT INFORMATION

### Features

#### Fast & powerful crease removal

- Soleplate: SteamGlide
- Continuous steam output
- Continuous steam output: 120 g/min
- Vertical steam
- Steam pressure: Up to 5 Bar
- Variable steam settings
- Steam tip
- Power: 2400 W

#### Easy to use

- Water tank capacity: 1000 ml
- Filling and emptying water: Extra large filling hole
- Refill any time
- Heat-up time: 2 min
- Hose storage: Hose clip
- Power cord length: 1.8 m
- Cord freedom (swivel): 180 degree cord freedom
- Hose length: 1.7 m

#### Calc management

- Suitable for tap water
- Calc clean solution: Easy rinsing

#### Safety Information

- This product meets the requirements regarding interference suppression on radio and TV.
- After the product has been repaired, it should function properly and has to meet the safety requirements as officially laid down at this moment.

## TECHNICAL INFORMATION

Voltage	:	220 - 240 V
Frequency	:	50 - 60 Hz
Power	Iron	: 800 W
	Boiler	: 1370 W
Product dimension	:	42.9 x 40 x 20.6 cm
Weight of iron	:	1.2 kg
Weight of iron + base	:	4.5 kg

### Water advice

If the tap water in your area is very hard, it is advisable to mix the tap water with an equal amount of demineralised water.

### SteamGlide Soleplate

SteamGlide soleplate is the best Philips soleplate. It has great scratch resistancy, glides excellent and is easy to clean.

### Separate Water Tank

The separate watertank allows you to re-fill the watertank any time, even during ironing, without waiting.

**BACKPLATE 18**

**HOSE CORD ASSY 19**

- Remove **Screw A**
- Disassemble **BACKPLATE 18**
- Remove **Screw B1, B2**
- Remove **Clamping plate**
- Remove **Power cord quick-connect S, E, L, N**
- Disassemble **Steam hose**
- Disassemble **HOSE CORD ASSY 19**

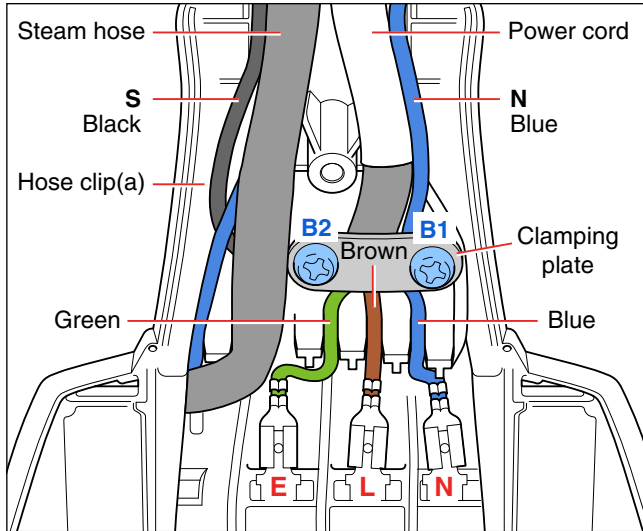


Fig 1. Wiring at rear HOUSING (Part 1)

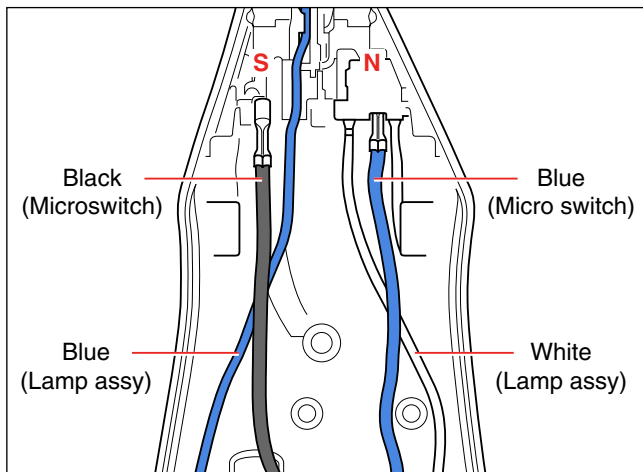


Fig 2. Wiring at rear HOUSING (Part 2)

**INLAY 17**

**STEAM LOCK 13**

**LAMP ASSY 8**

**MICROSWITCH ASSY 11**

**TRIGGER 12**

**THERMOSTAT DIAL ASSY 15**

**HOUSING PRINTED 10**

**SOLEPLATE COVER 6**

**THERMOSTAT BUSH 9**

**BRAIDED RUBBER HOSE 3**

**SOLEPLATE ASSY 1**

- Remove **Screw A**
- Disassemble **BACKPLATE 18**
- Release **Inlay rear catch**
- Disassemble **INLAY 17**
- Disassemble **STEAM LOCK 13**
- Disassemble **MICROSWITCH ASSY 11**
- Remove **Screw C**
- Disassemble **TRIGGER 12**
- Disassemble **THERMOSTAT DIAL 15**

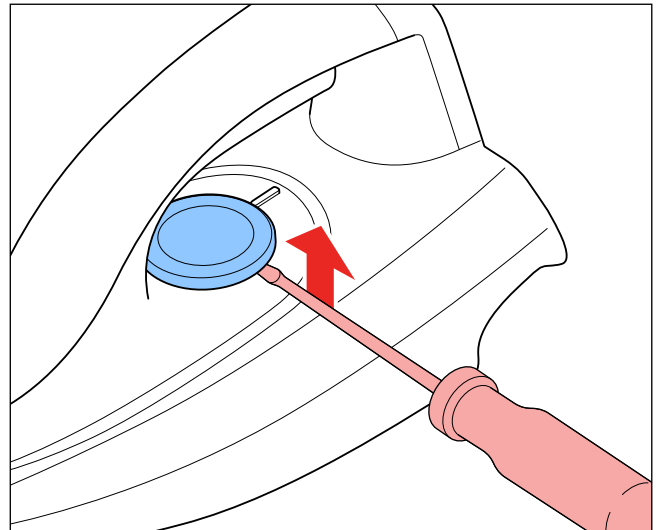


Fig 3.

- Remove **Screws D1, D2, D3**
- Disassemble **HOUSING PRINTED 10**
- Remove **HOSE CLIP 4**
- Disassemble **BRAIDED RUBBER HOSE 3**
- Remove **Screws E1, E2, E3**
- Disassemble **SOLEPLATE COVER 6**

Pos	Service code	Description	Remark
1	4239 021 6898I	Soleplate assy 230V	Steamglide-Non SOS
3	4239 015 5930I	Braided rubber hose	
4	4239 010 1028I	Hose clip-braided rubber hose	
5	4239 015 70153	Ryton ring	
6	4239 026 4863I	Soleplate cover	
8	4239 021 3686I	Lamp mounted assy	
9	4239 026 13222	Thermostat bush	
10	4239 021 6979I	Housing printed	White
11	4239 021 31793	Microswitch assy	
12	4239 026 4817I	Trigger	Blue
13	4239 026 4818I	Steam lock	Blue
14	4239 010 09293	Trigger spring	
15	4239 021 6911I	Thermostat dial assy	Blue
17	4239 026 4867I	Inlay	Blue
18	4239 026 4868I	Backplate	Blue
19	4239 021 6909I	Hose cord mounted assy	

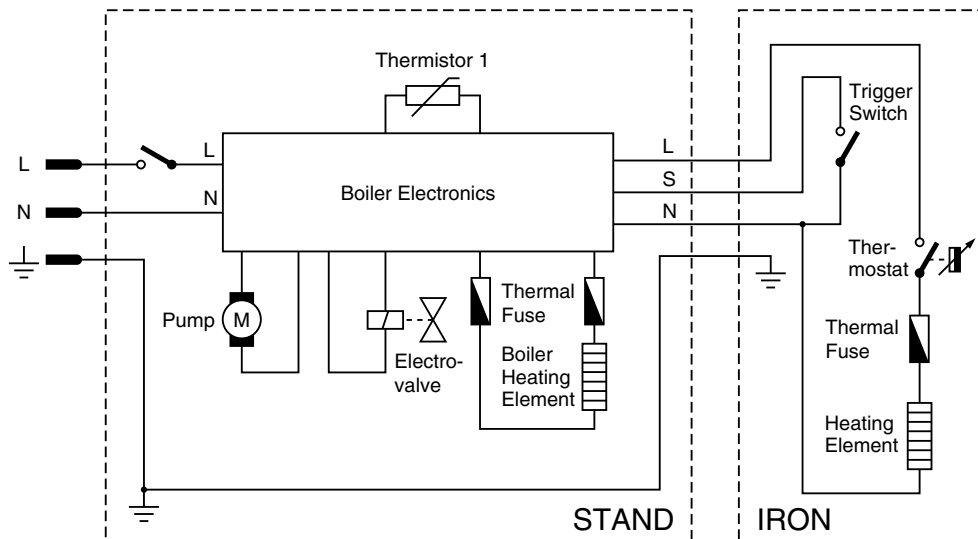
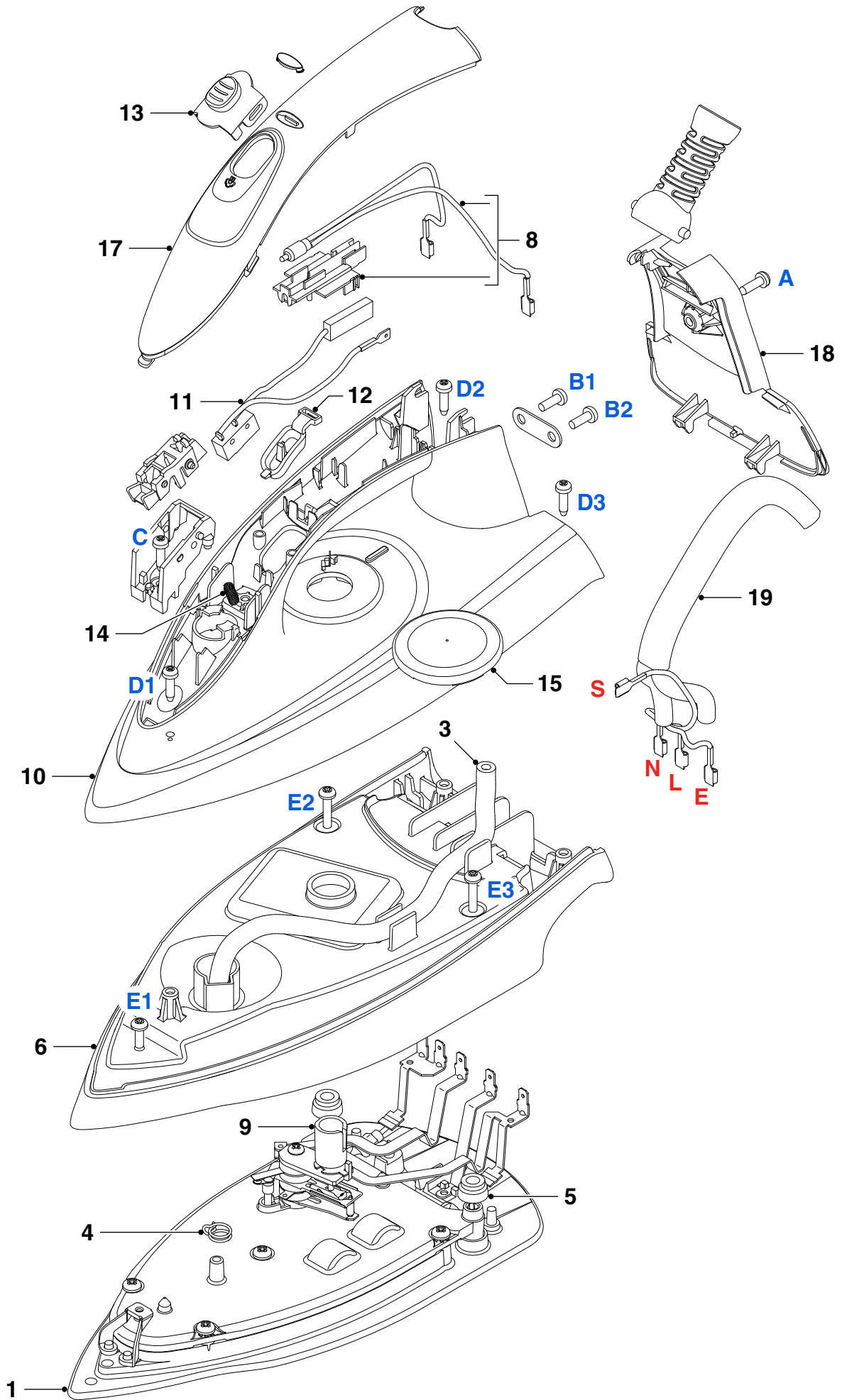


Fig 4. Electrical diagram



**TRAY RUBBER CAP 30**

**TRAY ASSY 33**

**DOOR ASSY**

- Remove **TRAY RUBBER CAP 30 (3x)**
- Remove **Screw F1, F2, F3**
- Disassemble **TRAY ASSY 33**
- Remove **Screw G**
- Disassemble **DOOR ASSY**

**FRONT PANEL PRINTED 37**

**POWER BOARD**

**LIGHT SWITCH 44**

- Remove **TRAY RUBBER CAP 30 (3x)**
- Remove **Screw F1, F2, F3**
- Disassemble **TRAY ASSY 33**
- Remove **Screw H1, H2**
- Disassemble **FRONT PANEL 37**
- Disassemble **LIGHT SWITCH 44**
- Disassemble **POWER BOARD**

**WATER TANK ASSY 34**

**HOSE CORD CAP 36**

**BOILER ASSY 38**

**BRAIDED RUBBER HOSE - BOILER**

**PUMP ASSY 45**

**INLET TUBE - PUMP**

**DE-AIR TUBE**

**RINSE RUBBER COUPLING 50**

**RINSE BUSH**

**RINSE CAP ASSY 52**

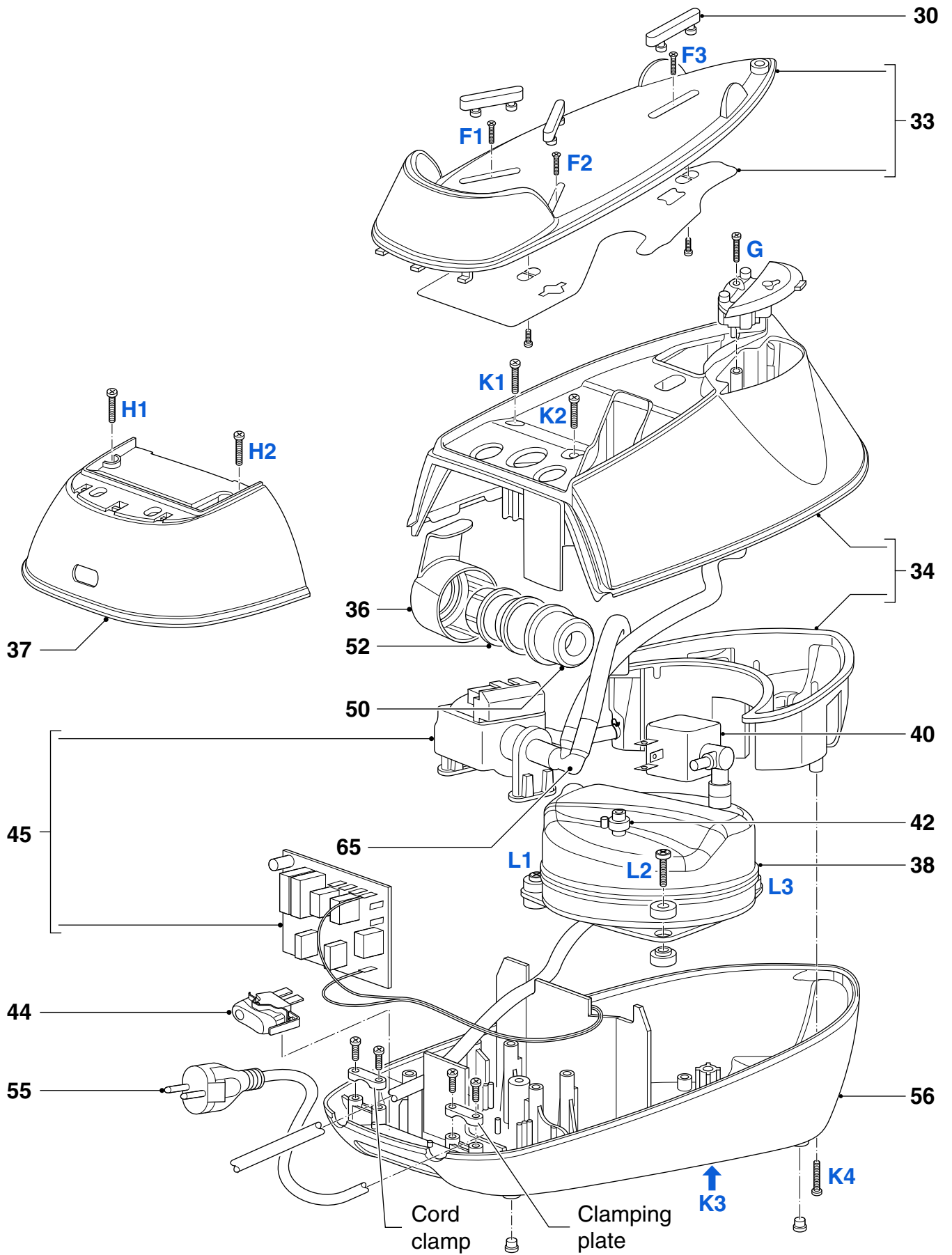
- Remove **TRAY RUBBER CAP 30 (3x)**
- Remove **Screw F1, F2, F3**
- Disassemble **TRAY ASSY 33**
- Remove **Screw H1, H2**
- Disassemble **FRONT PANEL 37**
- Disassemble **HOSE CORD CAP 36**
- Disassemble **RINSE CAP ASSY 52**
- Disassemble **RINSE BUSH**
- Disassemble **RINSE RUBBER COUPLING 50**
- Remove **Screws K1, K2, K3, K4**
- Disconnect **INLET TUBE - PUMP**
- Disconnect **DE-AIR TUBE**
- Disassemble **WATER TANK ASSY 34**
- Disassemble **BRAIDED RUBBER HOSE - BOILER**
- Disassemble **PUMP ASSY 45**
- Remove **Torx screws L1, L2, L3**
- Disassemble **TOP SPACER**
- Disassemble **BOILER ASSY 38**

**PARTS LIST - STAND**

Pos	Service code	Description	Remark
30	4239 015 59651	Tray rubber cap	Blue
33	4239 021 68791	Tray assy	White
34	4239 021 69812	Water tank assy	Blue
36	4239 026 48751	Hose cord knob	Blue
37	4239 021 69801	Front panel	Printed
38	4239 021 39542	Boiler assy	High End
40	4239 017 09892	Electrovalve	
42	4239 010 10261	Inox clamp	

Pos	Service code	Description	Remark
44	4239 026 48761	Light switch	
45	4239 022 66211	Control board- Pump assy kit	
50	4239 015 56761	Rinse rubber coupling	
52	4239 021 69131	Rinse cap assy	Blue
55	2422 070 98368	Cordset	EU
56	4239 021 69201	Stand bottom assy	White
65	4239 026 42081	De-air valve	High End

**Note: For Pos 45, please replace both components together when either one is faulty. The 2 components come as a service kit.**



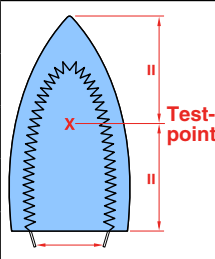
- Due to the high wattage of the iron, only the specified cord set must be used.
- Should damage be observed on the **HOSE-CORD ASSY** or **CORDSET 55**, they must be replaced. Continued usage is not allowed.
- When replacing the **MICROSWITCH ASSY 9**, please dress the 2 attached wires such that they are free of tension. Pulling force on the wires may affect the steam triggering.
- To avoid damage to the sealing & components of the **BOILER ASSY 38**, **NEVER** clean the boiler assy with vinegar, descaling agent or other corrosive chemicals.
- When replacing **ELECTROVALVE 40** or **PUMP ASSY 45**, please be reminded to apply loctite at the joints for good sealing.
- After the product has been repaired, it should function properly and has to meet the safety requirements & legal regulations as laid down & officially established at this moment.
- The following tests are common checks that are conducted on a repaired product before it is returned to the consumer.

**1. Soleplate temperature**

Check that soleplate temperature is within IEC requirement.

Measure the temperature of the soleplate after the iron has reached steady state i.e connected to the mains for at least 15 minutes. The table below shows the temperature requirement.

Marking	Soleplate temperature (Deg C)			Material, for example
	Minimum	Maximum	Nominal + Tolerance	
• (1 dot)	70	120	95 ± 25	Acetate, elastane, polyamide, polypropylene
•• (2 dots)	100	160	130 ± 30	Cupro, polyester, silk, triacetate, viscose, wool
••• (3 dots)	140	210	175 ± 35	Cotton, linen



**2. Leakage current**

Check that leakage current is within IEC requirement.

Measure leakage current between LIVE/NEUTRAL & EARTH.

IEC requirement is that at 230V supply, the EARTH leakage current must be less than 0.75 mA.

**3. Water leakage / Functionality**

Check that there is no water leakage from any part of the product during operation.

Check that the functionality of the product (product dependent) eg. steaming, variable steam, SOS, ASO etc is working properly.

**4. Loose part**

Check that there are no loose parts eg. extra screw in the product that can cause short-circuit or product malfunction.