



User-Service Manual
Joerns® Assist Device and Side Rails
Vari-Care models

To avoid injury, read user's manual before using.



Important Precautions

⚠ Warning: Risk of Serious Injury or Death.

These products are intended for use with Joerns® bed models B530, B330, B784, B694, B684, B684DC, B624, B675, B40, B40E, B41, and B41E. Use of these products on any bed they were not designed for could result in an unproven or unsafe configuration, potentially resulting in serious injury or death. For questions regarding compatibility, contact your Joerns representative.

⚠ Warning: Risk of Serious Injury or Death. Use

a properly sized mattress in order to minimize the gap between the side of the mattress and the Vari-Care assist device or side rail. This gap must be small enough to prevent a resident from getting his/her head or neck caught in this location. Make sure that raising or lowering the bed, or articulating the sleep surface, does not create hazardous gaps. Failure to do so could result in serious injury or death.

⚠ Warning: Risk of Serious Injury or Death.

Properly locate the mounting brackets. The gap between the head/foot board and the Vari-Care assist device or side rail must be small enough to prevent a resident from getting his/her head or neck caught in this location (see the installation instructions for more information, if applicable). If multiple assist devices are needed, position them such that the gap between them is large enough that the trunk and hips can easily pass through. Make sure that raising or lowering the bed, or articulating the sleep surface, does not create hazardous gaps. Vari-Care assist devices or side rails should not be used if ANY openings within the bed system allow a resident to get his/her head or neck lodged within these openings. Failure to do so could result in serious injury or death.

⚠ Warning: Risk of Serious Injury or Death. Do

not use the Vari-Care assist device as an assist until you have verified that it is up AND locked. Injury to resident or caregiver may result if this procedure is not followed.

Note: The Vari-Care assist devices are intended for use as an aid in entering or exiting the bed sleep area, as well as a stable handhold during self positioning within the sleep area.

Note: The Vari-Care side rails are intended to provide a physical indication of the bed edge, as well as a stable handhold during self positioning within the sleep area.

Joerns assist devices or side rails are designed to be used with specific Joerns bed frames. Once mounted on the appropriate bed frame, assist devices or side rails become an integral part of the Joerns bed system. As such, these mounted assist devices or side rails can handle the same safe working load, within normal use conditions, of the appropriate bed to which they are mounted.

When assessing the risk for entrapment, you need to consider your bed, mattress, head/foot boards, assist devices and other accessories, as a system. It is also extremely important to review the resident's physical and mental condition and initiate an appropriate individual care plan to address entrapment risk. All Joerns bed systems are evaluated for compliance to the FDA/CDRH "Hospital Bed System Dimensional and Assessment Guidance to Reduce Entrapment."

Joerns Side Rails/Assist Devices should be assembled, installed, utilized and maintained in the manner described in their accompanying Joerns User/ Service Manual. The instructions for use of these devices also list the bed type or model with which they may be used.

This product is only one part of your healthcare bed system. Proper combinations of mattress, head/foot boards and assist devices are needed to minimize the risk of entrapment. For more information, call Customer Care, 800-826-0270.

Save These Instructions

Thank you and congratulations for choosing Joerns Vari-Care assist devices and side rails. Joerns Assist Devices are developed with safety, comfort and convenience of both residents/patients and caregivers in mind.

Advanced ergonomic design will provide years of reliable service in your facility.



Table of Contents

Important Precautions2

Entrapment Information3

Assist Device/Side Rail Options4

Bed Compatibility4

Installation Instructions7

Warranty16

Bed System Entrapment Information

Although essential in the practice of long-term care, bedside rails, in recent years, have also been a subject of regulatory review and evolution in design and use.

That focus includes not only the challenge of achieving an appropriate balance between resident security and unnecessary restraint, but also the additional safety issue of entrapment.

The U.S. Food and Drug Administration (FDA), working with our company and other industry representatives has addressed the potential danger of entrapment with new safety guidelines for medical beds. These guidelines recommend dimensional limits for critical gaps and spaces between bed system components.

Entrapment zones involve the relationship of components often directly assembled by the healthcare facility rather than the manufacturer. Therefore, compliance is the responsibility of the facility.

As the leading manufacturer of long-term care beds and a frontrunner in addressing this critical issue, Joerns Healthcare can offer you the expertise, assistance and products to bring your facility into compliance.

Joerns® Compliance Solutions

Matching the right bed components in order to meet regulatory guidelines can be complex.

That's why Joerns offers a wide array of compliance options. We assist customers in selecting compliant accessories recommended for their specific bed model.

Creating a Safer Care Environment

While the guidelines apply to all healthcare settings (hospitals, nursing homes and at home), long-term care facilities have particular exposure since serious entrapment events typically involve frail, elderly or dementia patients.

For More Information

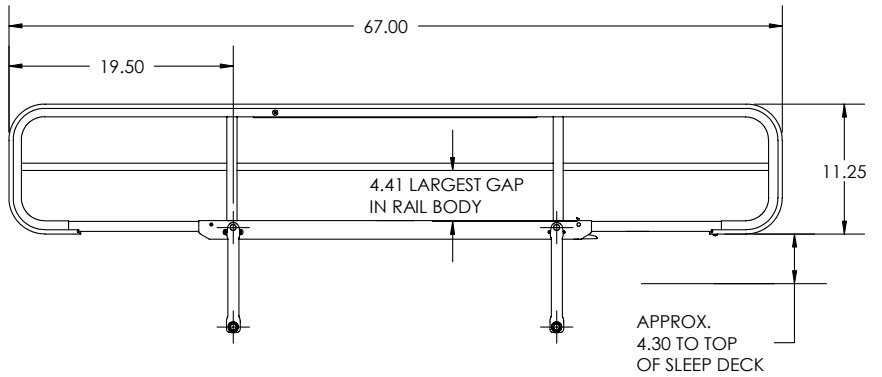
To learn more about compliance options with Joerns products, visit our website at www.joerns.com, or contact our Customer Care reps at 800-826-0270 and ask for free informational publications.

To learn more about entrapment zones, assessment methods, and guidelines concerning entrapment, contact Joerns Healthcare at 800-826-0270 or consult the FDA website: www.fda.gov/cdrh/beds

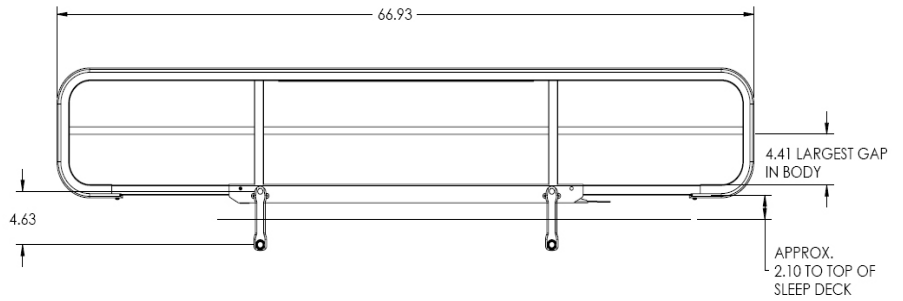


Matching Side Rail Options to your Beds

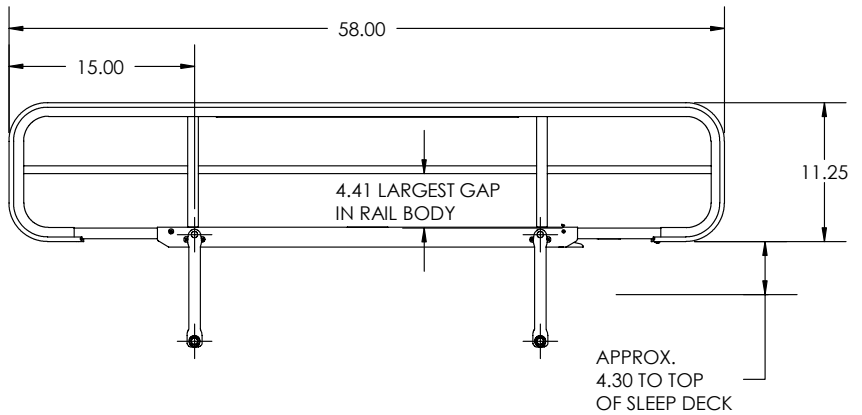
F16C and F06C



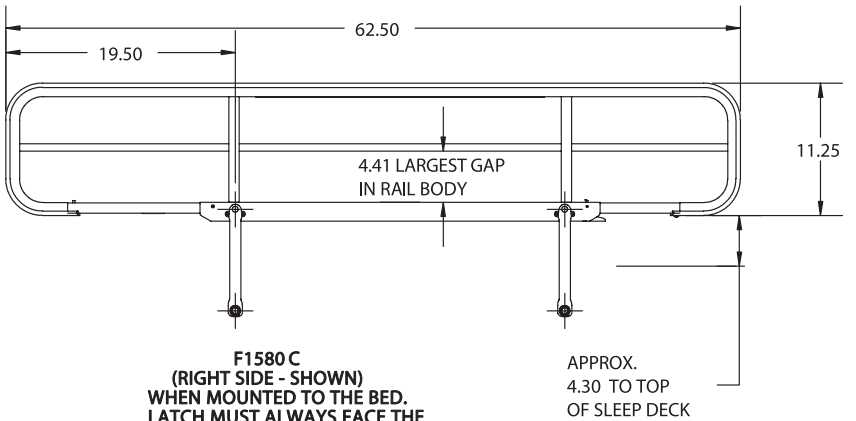
F168



F1576C and F057C
(for 76" beds)



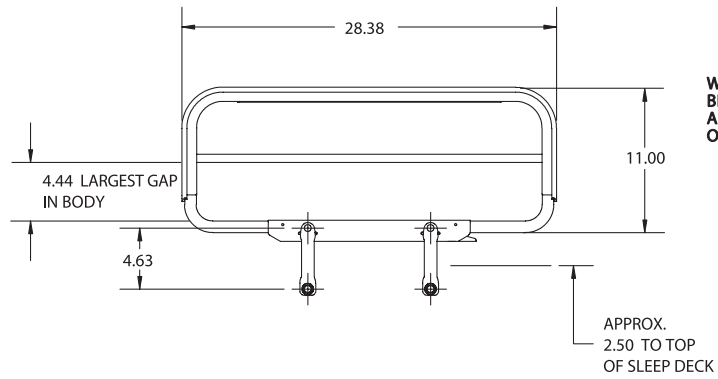
F1580C and F0580C
(for 80" beds)



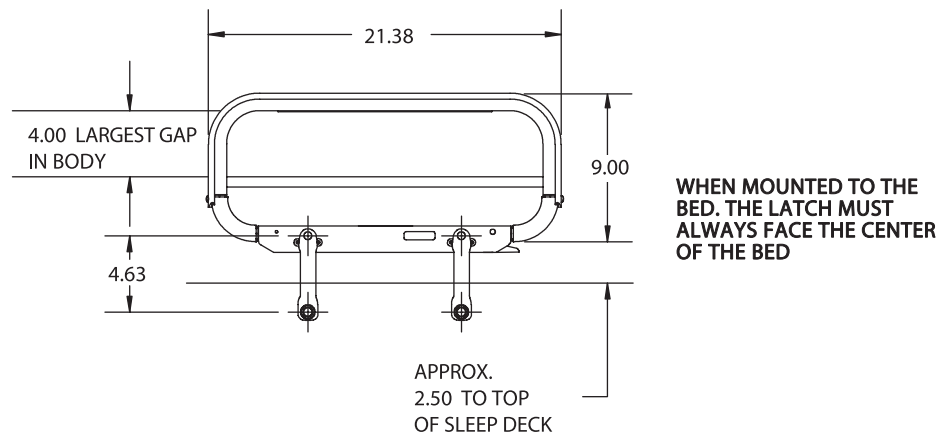
F1580 C
(RIGHT SIDE - SHOWN)
WHEN MOUNTED TO THE BED,
LATCH MUST ALWAYS FACE THE
FOOT END OF THE BED.
THERE IS A RIGHT AND LEFT SIDE RAIL.

Matching Assist Device Options to your Beds

F14SC



F14AC



Choosing the right Vari-Care Product

Vari-Care Products

Model #	F14SC	F14AC	F158/76C	F0580C/76C	F16C	F06C	F168
Description	Assist Device	Assist Device	3/4 Rail	3/4 Rail	Full Rail	Full Rail	Full Rail
B530	Y	N	N	N	N	N	Y
B330	Y	N	N	N	N	N	Y
B784	Y	Y	Y	Y	Y	Y	N
B694	Y	Y	Y	Y	Y	Y	N
B684	Y	Y	Y	Y	Y	Y	N
B684DC	Y	Y	Y	Y	Y	Y	N
B624	Y	Y	Y	Y	Y	Y	N
B675	Y	Y	N/A	N/A	N/A	N/A	N
B40	Y	Y	N	N	N	N	N
B40E	Y	Y	N	N	N	N	N
B41	Y	Y	N	N	N	N	N
B41E	Y	Y	N	N	N	N	N

Y = Recommended Combination N = Not Recommended Combination

* For older model beds, contact product service

* Joerns Healthcare recommends the use of a support surface with minimum dimensions of 35" in width by 6" in depth. Support surfaces used in conjunction with beds should be properly evaluated relative to state and federal guidelines.

Instruction Guide

Vari-Care Installation Instructions

Kit	Description	B530,B330	B784,B694,B684	B40,B40E,B41,B41E	B675
F14SC	Assist Device, Vari-Care Deluxe	Page 12	Page 7	Page 9	Page 7
F14AC	Assist Device, Vari-Care		Page 7	Page 9	Page 7
F1580C	Side Rail, ¾-80" Deluxe		Page 8	Page 10	
F1576C	Side Rail, ¾-76" Deluxe		Page 8	Page 10	
F0580C	Side Rail, ¾-80" Standard		Page 8	Page 10	
F0575C	Side Rail, ¾-76" Standard		Page 8	Page 10	
F16C	Side Rail, Full Deluxe		Page 8	Page 10	
F06C	Side Rail, Full Standard		Page 8	Page 10	
F168	Side Rail, Full Deluxe	Page 11			

Vari-Care Mounting Kit Installation Instructions

Kit	Description	B530,B330	B784,B694,B684	B40,B40E,B41,B41E	B675
N820	Assist Device			Page 9	
N821	¾, Full			Page 10	
N830	Assist Device				Page 7
N831	¾, Full		Page 7		
N832	Rail Mount	Page 11			
N840	Assist Device	Page 12			

N830 Assist Device Mount Kit

Models F14AC and F14SC

For Joerns® Bed Models B784, B694, B684DC, B624, B675

Item #	Description
1.....	4 - 1/4-20 Lock Nuts(PN:126772503)
2.....	4 - 1/4-20 Carriage Bolts (PN:12522584)
3.....	2 - Assist Mounts (PN:31008488)
4.....	1 - Connecting Tube (PN:11009704)

Suggested Tools: 7/16 socket wrench

Installation Instructions

1. Articulate bed as shown below.
2. Locate one mount assembly (Item 3) under the head section of the bed.
3. Slide two 1/4-20 carriage bolts (Item 2) through the square holes in the bed into the mount assembly (Item 3). **Note:** Align with square holes. Finger tighten two 1/4-20 elastic lock nuts (Item 1).
4. Slide the cross tube (Item 4) over the end of the mount assembly (Item 3).
5. Slide the second mount assembly (Item 3) into the cross tube (Item 4) and locate as in step 2.
6. Slide two 1/4-20 carriage bolts (Item 2) through the square holes in the bed into the mount assembly (Item 3). **Note:** Align with square holes. Finger tighten two 1/4-20 elastic lock nuts (Item 1).
7. Tighten all nuts securely.
8. Install both assist devices to the mounting brackets and install retaining clip onto pivot shafts from bottom.

Note: Assist devices are made for right or left side of bed as viewed from the foot of the bed. The latch on both assist devices must face toward the center of the bed, so they operate properly.

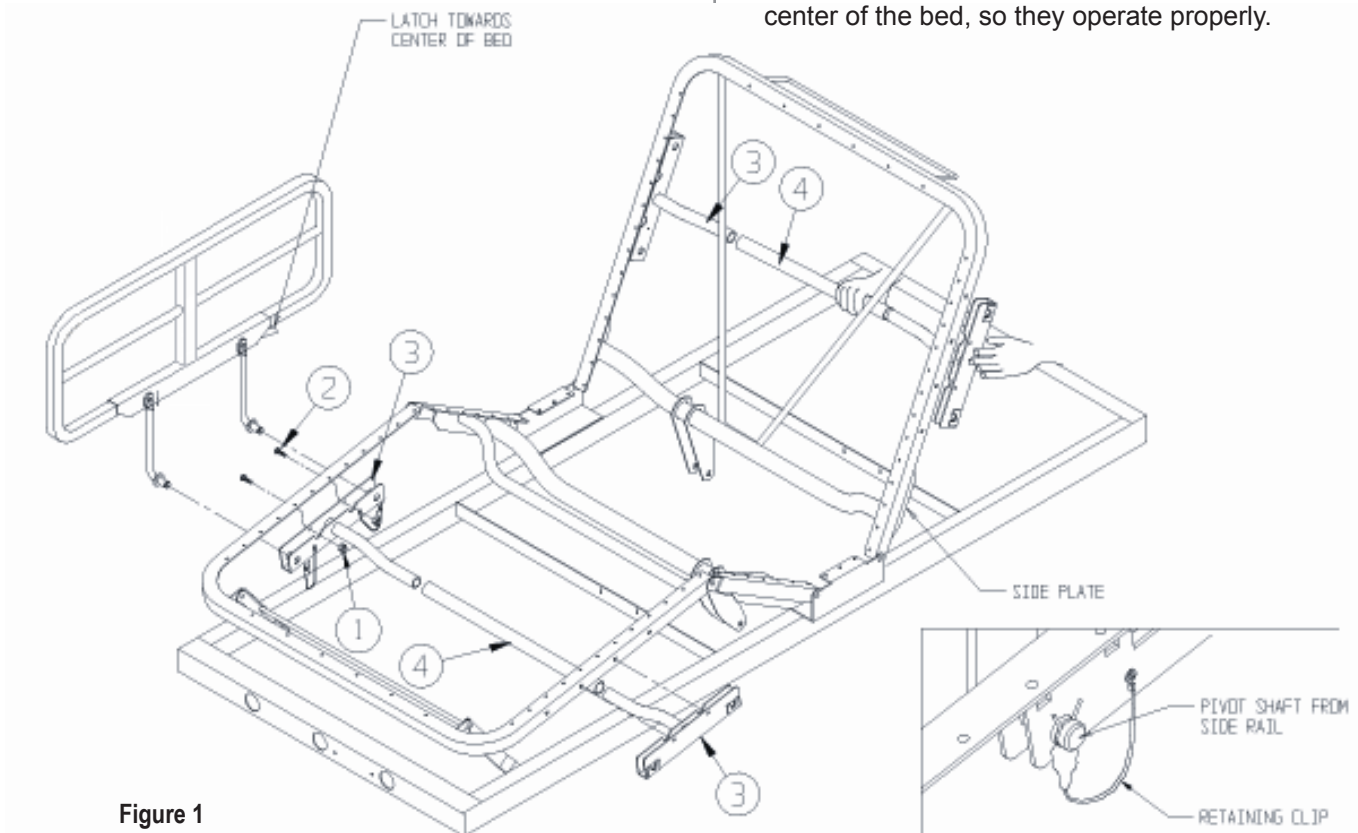


Figure 1

N831 3/4 And Full Length Side Rail Mount Kit

Models F1580C/F1576C; F0580C/F0576C
F16C/F06C for 80" beds only

For Joerns® Bed Models B784, B694, B684,
B684DC, B624

Item # Description

- 1..... 4 - Side Rail Mount Assembly (PN:31008011)
- 2..... 8 - Carriage bolt 3/8 x 3/4 (PN:12523709)
- 3..... 8 - Hex Nut 3/8-16 Nylock (PN:12673718)

Suggested Tools: 9/16 socket wrench

Installation Instructions

1. Position side rail mount assembly (Item 1) as shown.
2. Fasten side rail mount assembly (Item 1) to bed frame using carriage bolt 3/8 x 3/4 and hex nut 3/8-16 nylock (Items 2 and 3) as shown. Tighten securely.
3. Install side rail (not shown) into side rail mount and install rail retaining clips. Note: Side rails are made for both left and right sides of the bed as viewed from the foot of the bed. The latch on both sides must face the foot end of the bed.

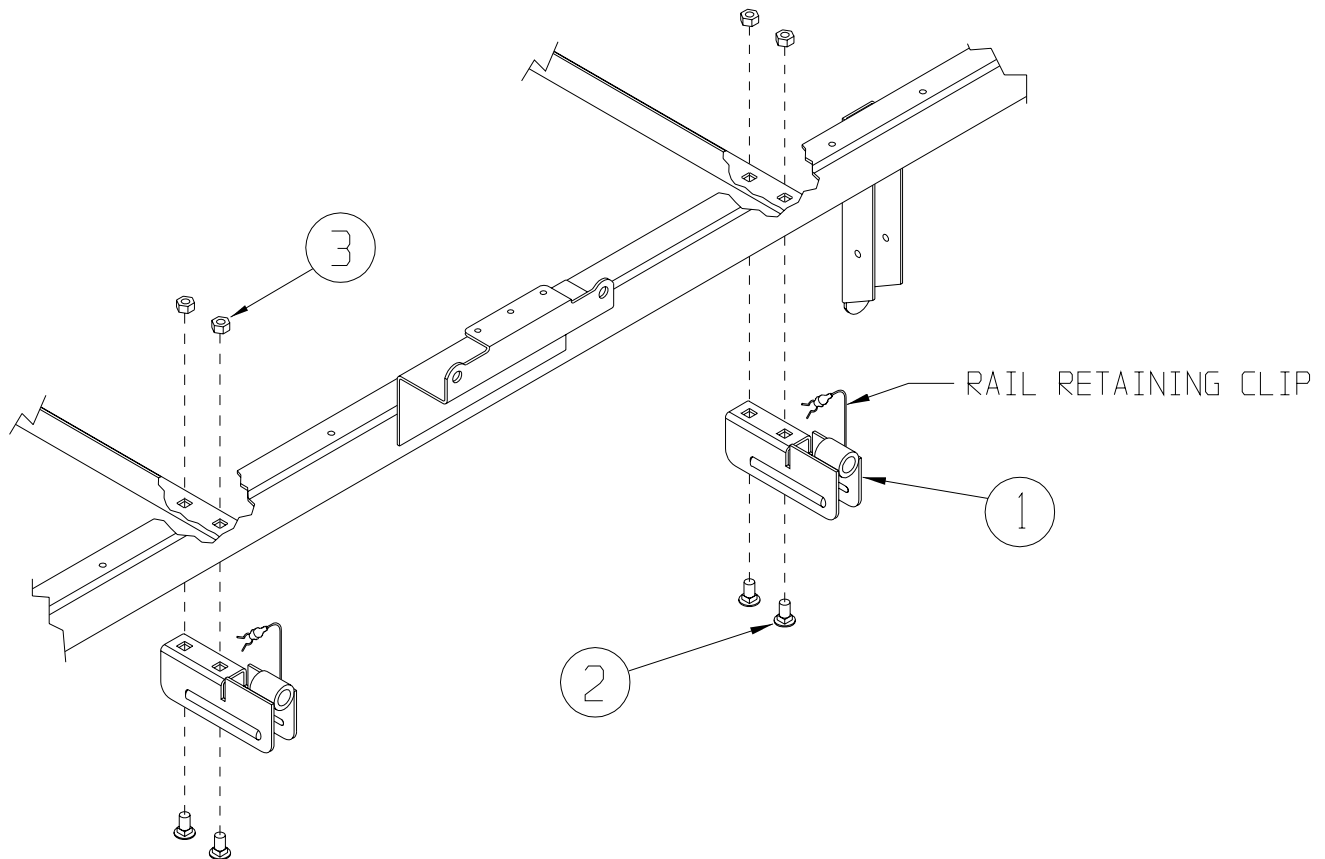


Figure 2

N820 Assist Device Mount Kit

Models F14AC and F14SC

For Joerns® Bed Models B40, B40E, B41, B41E

Item # Description

- 1.....2 - Rail Mount (PN:31007937)
- 2.....2 - 5/16-18 Lock Nuts (PN:12523155)
- 3.....2 - Clamp Plate (PN:11009326)
- 4.....2 - 5/16-18 Carriage Bolts (PN:12673105)
- 5.....4 - Retaining Clip (PN:24005271)

Suggested Tools: 9/16 socket wrench

Installation Instructions:

1. Position mounting brackets (item 1) onto deck. Mount tubes will mate with themselves when second mounting bracket is positioned on other side of bed.

Note: Position the edge of the mounting bracket (item 1) approx. 10" from the outside edge of the sleep surface tube as shown in the figure below.

2. Insert carriage bolt (item 4) through bracket, put clamp plate (item 3) over bolt and tighten with lock nut (item 2).
3. Install assists into mounts on back or foot section of bed with latch towards center of bed. Insert retaining clips (item 5) onto pivot shafts.
4. The head board needs to be mounted 3/4" from the outside plane of the sleep surface when the bed is in the raised position.
5. Test operation!

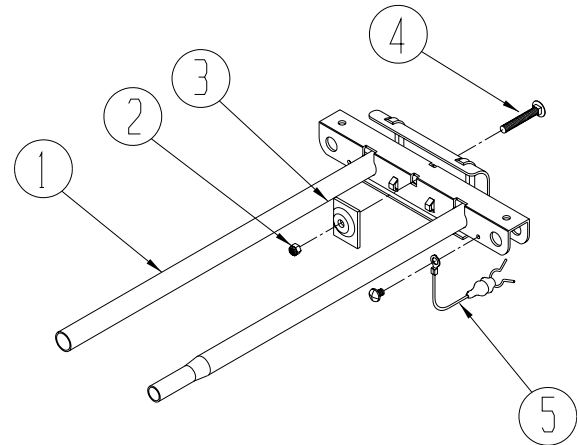


Figure 3

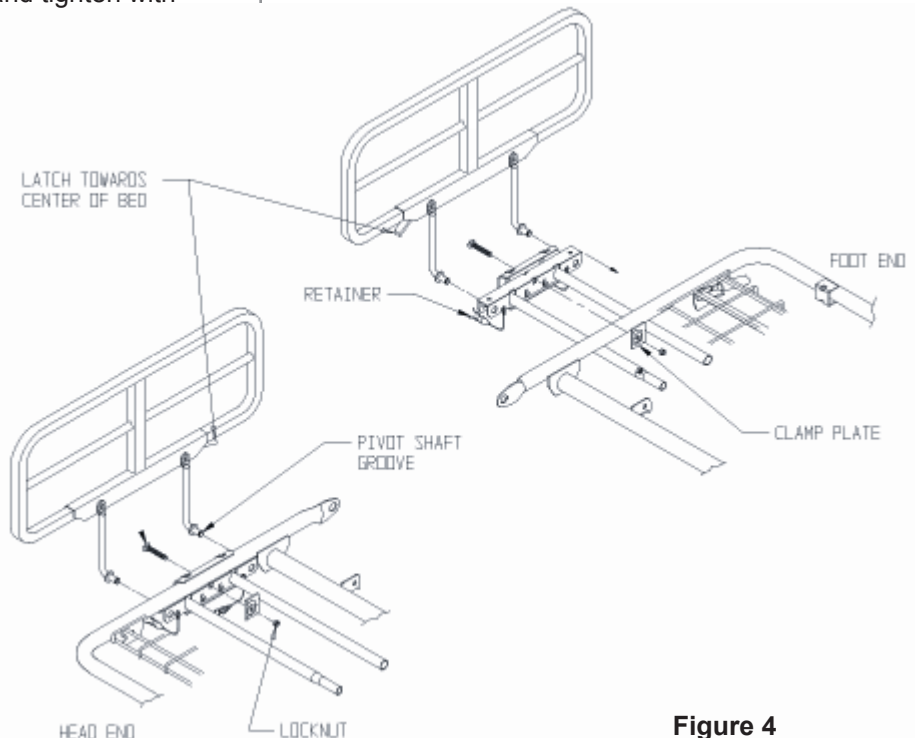


Figure 4

N821 3/4 And Full Length Side Rail Mount Kit

Models F1580C/F1576C; F0580C/F0576C; F16C/F06C

For Joerns® Bed Models B40, B40E, B41, B41E

Item #	Description
1.....	2 - Small Mounting Brackets (PN:24005543)
2.....	1 - Large Right-Hand Mounting Bracket (PN:31007930)
3.....	1 - Large Left-Hand Mounting Bracket (PN:31007929)
4.....	4 - Bushings (PN:11009312)
5.....	2 - 3/8 Clevis Pin (PN:12793108)
6.....	2 - Hair Clip Pins (PN:12751211)

Installation Instructions

Full side rails and 3/4 side rails are shipped with special mounting brackets made for any model FreeStyle bed. Side rails and mounting brackets are made for right and left sides as viewed from the foot end of the bed. The brackets attach to the bed using two sockets built into each side of the bed.

1. Elevate the bed to high position.
2. Insert the large bracket (using the colored dots for alignment) into the socket near the head of the bed (Figure 5).
3. Insert small bracket into the socket near the foot end of the bed by aligning the flat surfaces of the bushing with the flat sides of the socket (Figure 6). The bracket will turn freely when fully inserted. Once inserted turn both the large and the small brackets so the 3/8" clevis pin can be inserted to join the two brackets. Install the hair pin cotter to retain the clevis pin (Figure 7).
4. Install right or left side rail to assembled brackets noting that the proper side rail will have a latch that faces the foot end of the bed. Install the retainers on the end of the shafts of the side rail (Figure 8).
5. Repeat steps 2, 3 and 4 for the opposite side of the bed.
6. Place the bed in low position.

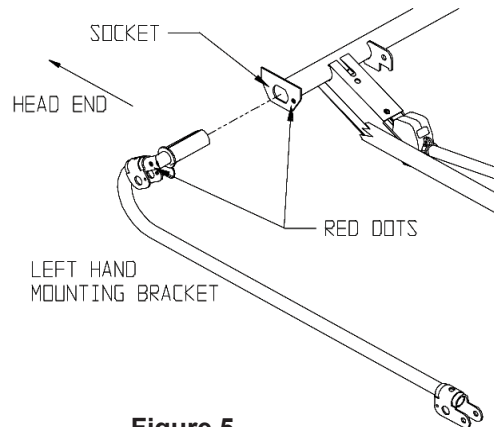


Figure 5

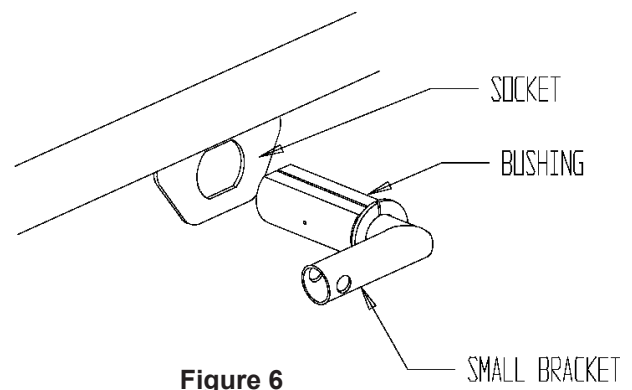


Figure 6

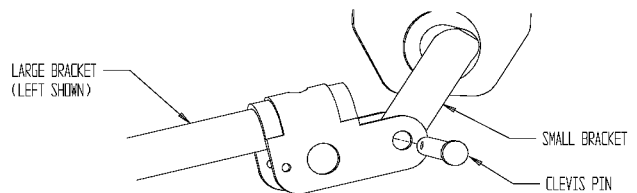


Figure 7

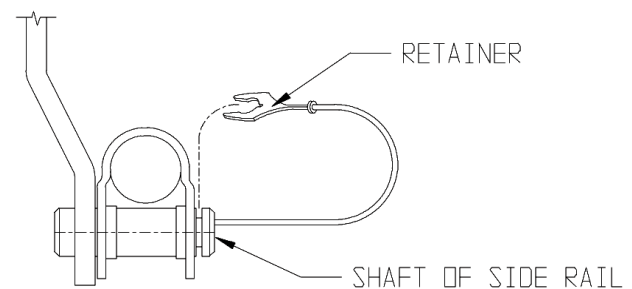


Figure 8

N832 Full Rail Mount Kit

Model F168

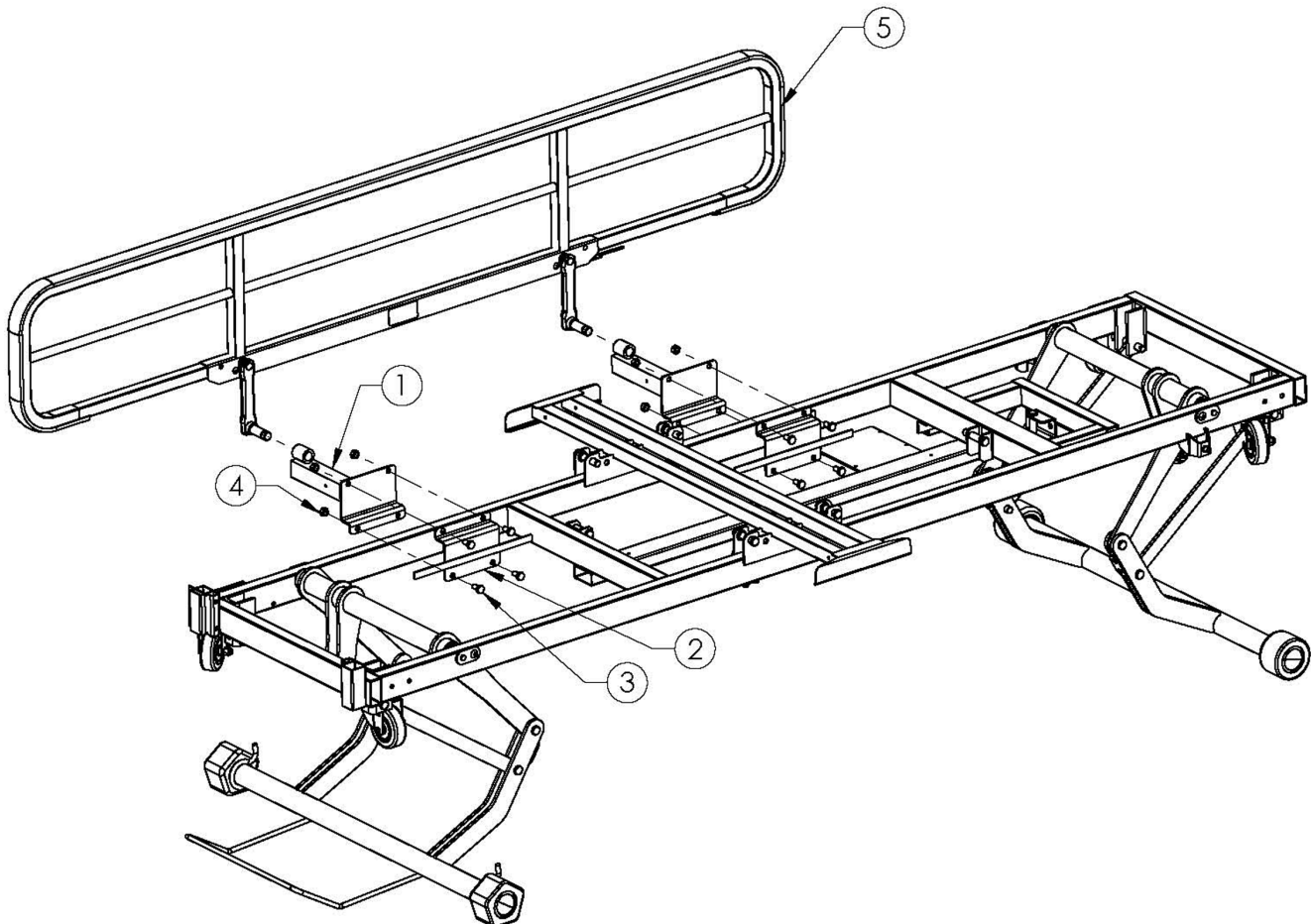
For Joerns® Bed Models B530, B330

Item #	Description
1.....	4 - Rail Mount (PN:31008989)
2.....	4 - Rail Mount Guide (PN:24006274)
3.....	16 - 5/16-18 Hex Hd Bolts (PN:12543183)
4.....	16 - 5/16-18 Hex Nuts (PN:12673101)
5.....	F168 Not included in N832 Full Rail Mount Kit. Shown for reference only.

Suggested tools: (2) ½" wrench or socket

Installation Instructions:

1. Raise bed completely.
2. Completely raise head and foot sections.
3. Place mounting bracket on bed frame under the head end sleep surface. Loosely attach mounting bracket assembly.
4. Locate head end bracket so the inside rail mount guide touches the cross tube member of the bed frame as shown in the illustration. Tighten head end bracket to bed frame.
5. Attach foot end bracket on frame under knee section. Leave nuts and bolts loose.
6. Install rail in both brackets and adjust the spacing of the foot end bracket so that the rail rotates up and down smoothly.
7. After the brackets are aligned properly, tighten nuts and bolts on the foot end brackets.
8. Attach rail retaining clips.
9. Repeat all steps on the opposite side of the bed for the second set of brackets.



N840 Assist Device Mount Kit

Model F14SC

For Joerns® Bed Models B330, B530

Item # Description

- 1.....4 - 1/4-20 Elastic Lock Nuts (PN:12672503)
- 2.....4 - Carriage Bolt (PN:12522584)
- 3.....2 - Asm., Assist Mount Kit, N840
(PN:31008969) (Figure 1)
- 4.....1 - Wld, Assist Mount, Cross Member, N840
(PN:24006259) (Figure 2)

Suggested tools: 2 - 1/2" sockets

Installation Instructions

1. Articulate bed so head and knee sections are raised to a position where access to the underside of the sleep surface section is possible.
2. Position one assist mount assembly (Figure 1) under the head (or foot) section of the bed in the location (Figure 3).

Note: The location of the assist mount relative to the end of the sleep surface is important relative to mitigating the risk of entrapment between the assist and the head/foot board.

3. Use two 1/4-20 carriage bolts and elastic lock nuts to fasten the assist mount assembly to the sleep surface. Do not tighten the hardware.
4. Slide the cross member element (Figure 2) onto the assist mount assembly installed in Step 2 above, then slide the remaining assist mount assembly onto the opposite end of the cross member element (Figure 4). Make sure the orientation of the cross member element is as shown in Figure 5. The cross member element fits between the inside rails of the sleep surface. When installed correctly, there will be a small gap between the cross member tube and the sleep surface rails (Figure 6).
5. Attach the second mount assembly to the sleep surface using the two 1/4-20 carriage bolts and elastic locknuts. Tighten all loose hardware.

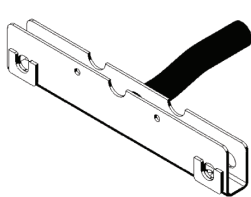


Figure 1

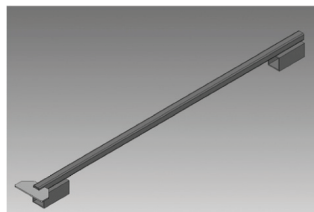


Figure 2

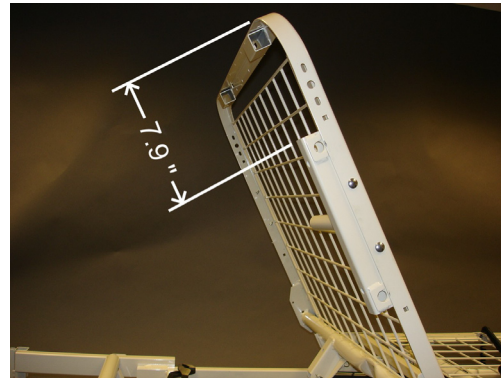


Figure 3

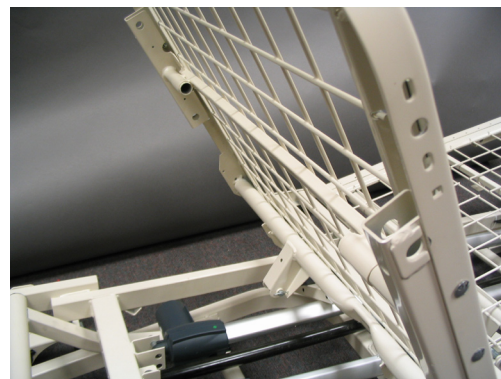


Figure 4



Figure 5



Figure 6



Notes:





Notes:





Notes:



Joerns Healthcare Warranty Program

for all Joerns® Assist Devices and Side Rails

Joerns assist devices and side rails are guaranteed for a period of 12 months from the date of delivery against defects in materials and workmanship under normal use and service.

Steel structural components and welds are covered under warranty for a period of 10 years from the date of delivery.

Damage caused by use in unsuitable environmental conditions, abuse or failure to maintain the product in accordance with user and service instructions is not covered.

Any alteration, modification, or repair unless performed by or authorized in writing by Joerns Healthcare, will void this warranty.

Parts

This warranty does not apply to damage or defects caused by misuse, incorrect handling or installation by a non-authorized installer. Damage caused by use in unsuitable environmental conditions or failure to maintain the product in accordance with user and service instructions is not covered.

The product contains various parts that wear from normal use. These parts, such as plastic bushings, are not covered under the 12-month warranty, but are covered for 90 days after purchase of product.

Joerns Healthcare's obligation under this warranty is limited to supplying replacement parts, servicing or replacing, at its option, any product which is found by Joerns Healthcare to be defective.

Warranty replacement parts are covered by the terms of this warranty until the product's original warranty period expires.

When requested by Joerns Healthcare, parts must be returned for inspection at the customer's expense. Credit will be issued only after inspection.

Service

Most service requests can be handled by the facility Maintenance Department with assistance from the Joerns Healthcare Product Service Department.

Most parts requested can be shipped next day air at the customer's expense.

Should a technician be required, one will be provided by Joerns Healthcare, at our discretion. Only the Joerns Healthcare Product Service Department can dispatch authorized technicians.

This warranty is extended to the original purchaser of the equipment.

