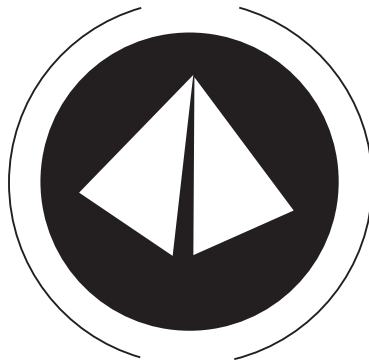


FIREHAWK^{VP}

QUICK REFERENCE GUIDE



P Y R A M I D
C O M M U N I C A T I O N S

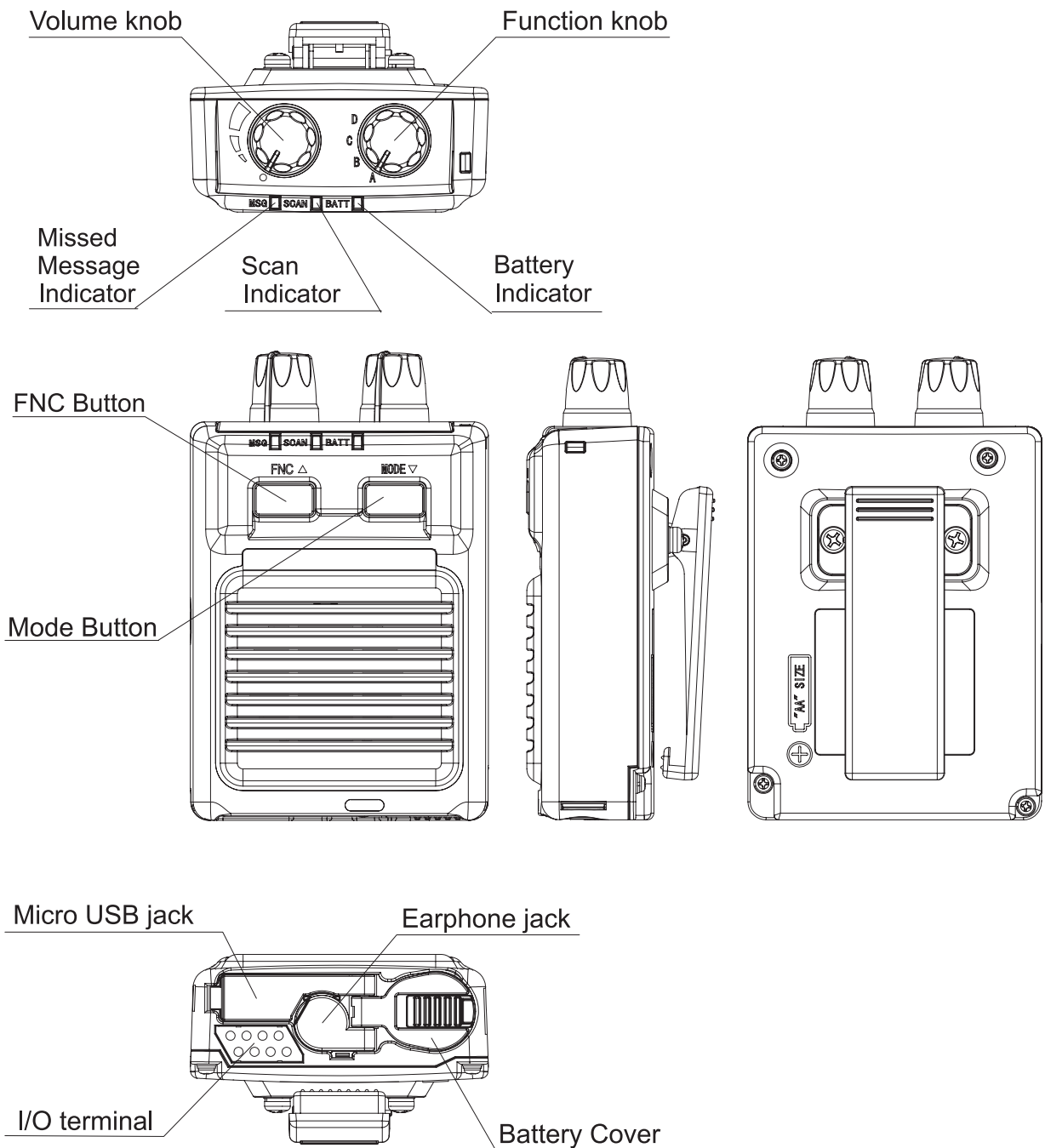
Since 1990

Pyramid Communications
37 Shield – Irvine, California - 92618
Tel 714-901-5462

Quick Reference Guide for FireHawk VP

Please read this guide before you use your FireHawk VP

Figure 1 Name of each part



Pager Components

- Tone & Voice Pager FireHawk VP (Model name VP-1VB1)
- USB Cable- Standard accessory
- Ni-MH battery- Standard accessory

Battery Installation (See Figure 2)

The FireHawk VP can be operated with a single “AA” battery which can be either a dry type (Alkaline) or a rechargeable 2000 mAh Ni-MH (Nickel Metal Hydride) battery. Alkaline batteries cannot be recharged.

1. Turn off pager.
2. Slide battery clasp on the bottom as indicated in the Figure 2.

Then open the battery cover. Insert “AA” size battery with the negative (-) end in the hole. Then press the positive (+) end until the battery is inserted completely.

3. Replace the battery cover and clasp.

Charging (See Figure 3)

Be sure to use only Ni-MH battery.

1. Attach the USB cable to the pager.
2. Connect the cable with USB jack on your PC, or to AC wall adapter.

Figure 2

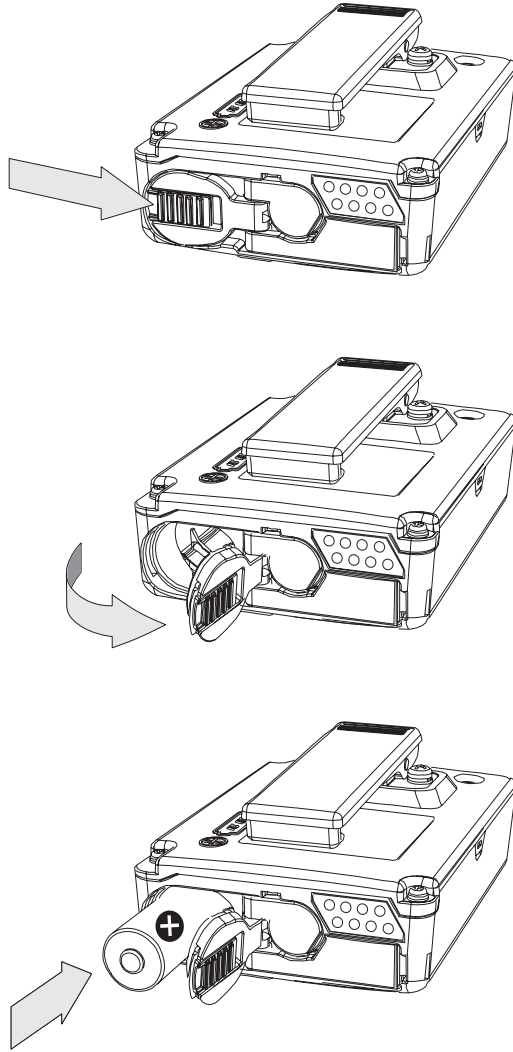
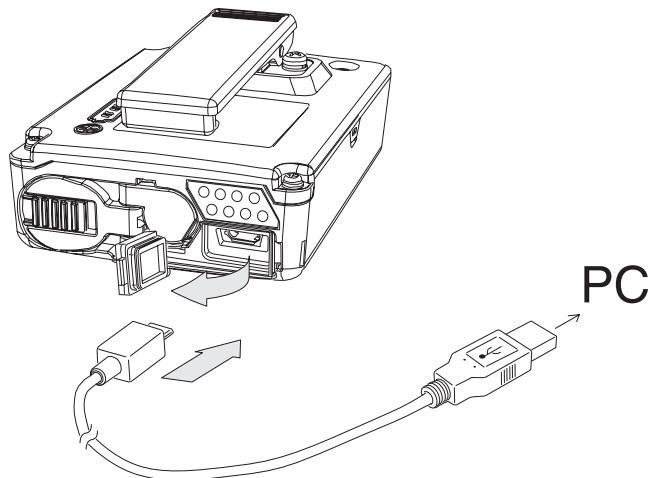
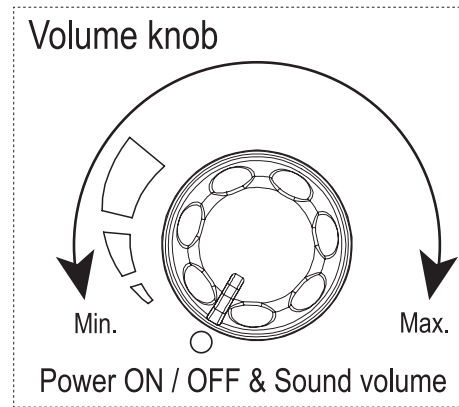


Figure 3

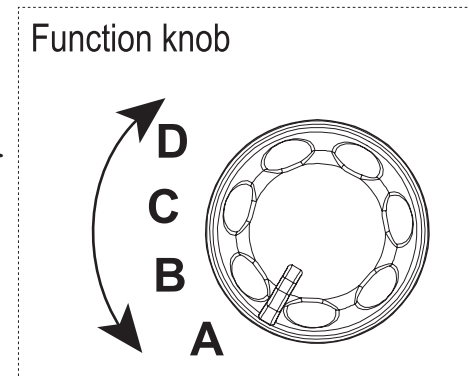


General Usage

1. Turn Volume Knob on the top of the unit to power on. Voice announcement will describe the selected operation mode. Selected mode is programmed by the PC software.



2. The FireHawk VP can set up 4 modes out of 7 total options, such as “Monitor Channel 1,” “Monitor Channel 2,” “Selective Call Channel 1,” Selective Call Channel 2,” “Priority Scan,” “Normal Scan,” or “Silent Scan.” A voice announcement will describe the operation mode every time you change it. The 4 mode settings are programmed by the PC software.



The main modes, “Selective Call” and “Monitor Call,” are explained on page 6.

3. Key/Function Lock

Hold the MODE button for 3 seconds to lock keypad and knob functions. Hold again to exit keypad lock mode.

This is designed to prevent the user from accidentally bumping the knobs and changing modes during use. Listen for a beep to confirm pager is locked.

Selective Call Mode

When “Selective Call” mode is selected, the pager will accept only calls addressed to it. When paged, an alert tone, vibration, or both will be activated, and a voice message will follow.

1. Turn the Volume knob on. (See Figure 1)
- 2.. Turn the Function knob to select “Selective call Ch 1 or Ch 2” mode position
3. Press the Volume knob to monitor and turn the Volume knob to set volume.
4. Press the Volume knob to reset the pager to “Selective Call” mode after call has been received.

Monitor Mode

When “Monitor” mode is selected, the pager will monitor all communication (as a “Carrier Squelch Receiver”) on the selected channel. When paged, an alert tone, vibration, or both will be activated, and a voice message will follow.

1. Turn the Volume knob to on.
2. Turn the Function knob to select “Monitor Ch 1 or Ch 2” mode position.
3. The Volume knob should not be pressed while receiving a message or alert tone.

Voice Storage

This function stores up to 8 minutes of messages.

Play back message:

Push the Function knob to play back the latest message.

If the Function knob is pushed during message playback, it will play the previous message.

If the Volume knob is pushed the message playback will stop.

Message playback will stop after all messages have played.

Programming

1. Turn off the pager.
2. Connect the USB to the PC.
3. Hold the “MODE” button for 3 seconds. If this is the first time the unit is connected to the PC, windows will install a driver. (Reboot required).
4. Use the FireHawk CPS to read and write programming parameters to the pager.



This equipment has been tested and found to comply with the limits for a Class B digital device, pursuant to part 15 of the FCC Rules. These limits are designed to provide reasonable protection against harmful interference in a residential installation. This equipment generates, uses and can radiate radio frequency energy and, if not installed and used in accordance with the instructions may cause harmful interference to radio communications. However, there is no guarantee that interference will not occur in a particular installation. If the equipment does cause harmful interference to radio or television reception, which can be determined by tuning the equipment off and on, the user is encouraged to try to correct the interference by one or more of the following measures:

- ◆ Reorient or relocate the receiving antenna
- ◆ Increase the separation between the equipment and receiver
- ◆ Connect the equipment into an outlet on a circuit different from that to which the receiver is connected
- ◆ Consult the dealer or an experienced radio/TV technician for help

This device complies with Industry Canada licensee-exempt RSS standard(s) Operation is subject to the following two conditions: (1) This device may not cause interference, and (2) this device must accept any interference, including interference that may cause undesired operation of the device.

Le présent appareil est conforme aux CNR d'Industrie Canada applicables aux appareils radio exempts de licence. L'exploitation est autorisée aux deux conditions suivantes: (1) l'appareil ne doit pas produire de brouillage, et (2) l'appareil ne doit pas produire de brouillage radioélectrique subi, même si le brouillage est susceptible d'en compromettre le fonctionnement.