

# Installation Guide

## Drop-In Bath Whirlpool

K-1014, K-1110, K-1158,  
K-1167, K-1168, K-1170,  
K-1173, K-1174, K-1368,  
K-1369, K-1375, K-1418,  
K-1433, K-1457, K-1460,  
K-1461, K-1477, K-1487,  
K-1492, K-1822, K-1835,  
K-1849, K-1969

**M** product numbers are for Mexico (i.e. K-12345**M**)  
Los números de productos seguidos de **M** corresponden a México  
(Ej. K-12345**M**)  
Français, page "Français-1"  
Español, página "Español-1"

THE BOLD LOOK  
OF **KOHLER**®

# Important Information



**WARNING:** When using electrical products, basic precautions should always be followed, including the following:



**DANGER: Risk of electric shock.** Connect only to circuits protected by a Ground-Fault Circuit-Interrupter (GFCI) or Residual Current Device (RCD).

Building materials and wiring should be routed away from the pump body and other heat-producing components of the unit.

Install to permit access for servicing.

Install this unit in accordance with the Canadian Electrical Code, Part 1.

A pressure wire connector marked "Earth/Ground" is provided within the wiring compartment. To reduce the risk of electric shock, connect this connector to the grounding terminal of your electric service or supply panel with copper wire equivalent in size to the circuit conductor supplying this equipment.

Pressure wire connectors are provided on the exterior of the junction box or control within this unit to permit connection of a bonding conductor between this unit and all other exposed metal in the vicinity, as needed to comply with local requirements.

**Grounding is required.** The unit should be installed by a qualified service representative, and grounded.



**WARNING: Risk of electric shock.** A licensed electrician should make all electrical connections.



**WARNING: Risk of electric shock.** Disconnect power before servicing.



**WARNING: Risk of injury or property damage.** Please read all instructions thoroughly before beginning installation, including the following requirements.

**NOTICE:** Follow all local plumbing and electrical codes.

## Product Information

### Electrical Requirements

The installation must have a Class A Ground-Fault Circuit-Interrupter (GFCI) or Residual Current Device (RCD). The GFCI or RCD protect against line-to-ground shock hazard. **Use a 220 - 240 V, 20 A, 50/60 Hz dedicated service for the whirlpool.**

### Product Notices



**WARNING: Unauthorized modification may cause unsafe operation and poor performance of the whirlpool.** Do not relocate the whirlpool pump, or make other modifications to the whirlpool system, as this could adversely affect the performance and safe operation of the whirlpool. Kohler Co. shall not be liable under its warranty or otherwise for personal injury or damage caused by any such unauthorized modification.

### Features

**"-N1" Series:** Components include a pump, heater, control, shut-off valve, neckjets, pulse cannister, and illuminated switch (user keypad).

**"-H2" Series:** Components include a pump, heater, control and illuminated switch (user keypad).

The whirlpool pump and piping are factory-assembled.

## Product Information (cont.)

### Connections and Service Access

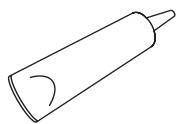
Before installation, ensure proper access to the final connections.

**NOTICE: Provide generous, unrestricted service access to the pump.** You must provide access for servicing the pump and controls. The access must be located immediately next to the pump. Study the roughing-in information packed with the whirlpool.

### Table of Contents

Important Information	2
Product Information	2
Electrical Requirements	2
Product Notices	2
Features	2
Connections and Service Access	3
Tools and Materials	3
Before You Begin	4
Prepare the Site	5
Prepare the Site	6
Prepare the Whirlpool	6
Install the K-1168 Whirlpool	7
Secure the Whirlpool to the Subfloor	8
Cut the Pump Banding Straps	9
Install the Plumbing	9
Install the Optional Pillow - For Models Without Neckjets	9
Make Electrical Connections	10
Install the Whirlpool Trim Kit	11
Install the Neckjet Pillow ("N1" Series Only)	11
Test Run the Whirlpool	11
Install the Optional Apron	13
Complete the Finished Wall/Deck	13
Complete the Concrete Installation	13
Clean-Up After Installation	13
Confirm Proper Operation	14
Operating Sequence	14
Troubleshooting Procedures	15

### Tools and Materials



Silicone Sealant



Measuring Tape



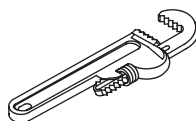
Pencil



Level



Safety Glasses



Pipe Wrench

**Plus:**

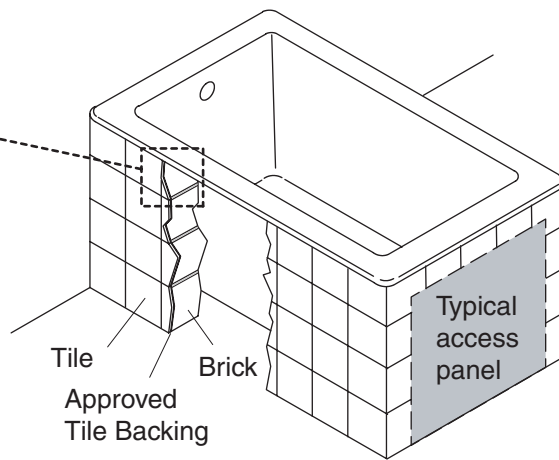
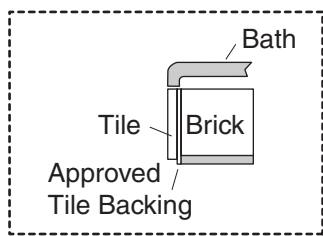
- Conventional woodworking or concrete installation tools and materials
- Drop cloth

## Before You Begin

**NOTICE:** Do not lift the whirlpool by the piping or pump, or use the piping or pump for structural support of the whirlpool. To avoid damage to the whirlpool, lift at the sides of the whirlpool.

**NOTICE:** Do not support the load weight of the whirlpool by the perimeter of the rim. To avoid damage to the product, support the whirlpool by its base or feet.

- We recommend this whirlpool for drop-in or alcove installation.
- Inspect the whirlpool for damage before you begin installation.
- You must install this whirlpool to an adequately supported, level subfloor.
- If an optional apron will be used: construct the required additional support and install the optional apron before the finished floor and wall materials are completed. Refer to the installation instructions packed with the apron.
- Confirm adequate support for a rim-mounted faucet; large faucets that may be inadvertently used as a means of support are not appropriate or safe for this installation.
- Kohler Co. reserves the right to make revisions in the design of products without notice, as specified in the Price Book.



*Whirlpool may be installed next to the wall or as an island installation.*

*Install an access panel to allow the pump to be serviced.*

## 1. Prepare the Site

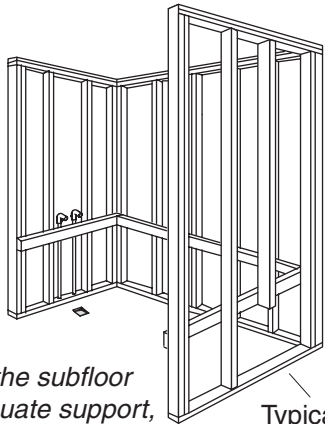
### Concrete Construction

**NOTICE:** Adequate floor support must be provided. Consult the roughing-in sheet packed with your whirlpool for specific floor loading requirements.

**NOTICE:** Do not support the load weight of the whirlpool by the perimeter of the rim. To avoid damage to product, support the whirlpool by its base or feet.

- Make sure the flooring offers adequate support for your whirlpool, and verify that the subfloor is flat and level.
- This whirlpool may be installed next to the wall or in an island installation. An island installation requires a four side surround. In both instances, make sure the deck is supported by brick or concrete.
- Install an access panel to allow the pump to be serviced.
- Construct brick or concrete supports.
- **For all installations:** To ensure the whirlpool does not rest on the rim, frame the floor or construct a frame for a raised installation. Refer to the roughing-in information packed with this bath.
- If an apron will be installed, construct the required additional support at this time. Refer to the installation instructions packed with the apron.
- Position the plumbing according to the roughing-in information packed with this bath. Cap the supplies, and check for leaks.

Position the rough plumbing.

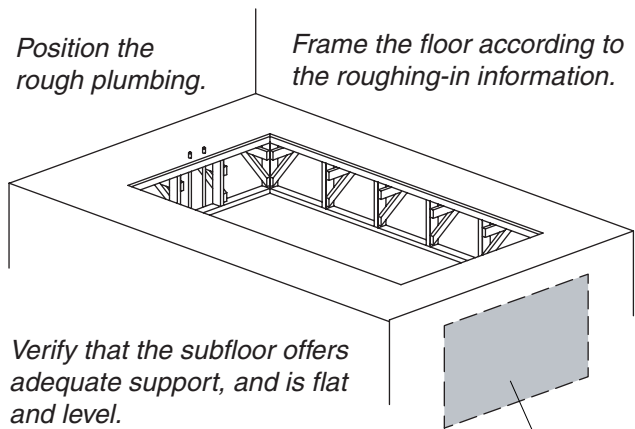


Construct 2x4 stud framing according to the roughing-in information.

Verify that the subfloor offers adequate support, and is flat and level.

Typical access panel

Position the rough plumbing.



Frame the floor according to the roughing-in information.

Verify that the subfloor offers adequate support, and is flat and level.

Typical access panel

## 2. Prepare the Site

### Wood Construction

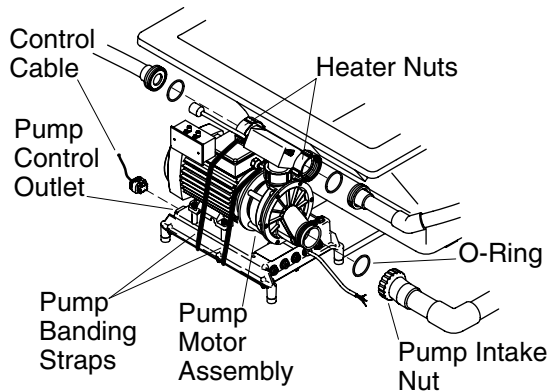
**NOTICE:** Adequate floor support must be provided. Consult the roughing-in sheet packed with your whirlpool for specific floor loading requirements.

**NOTICE:** Do not support the load weight of the whirlpool by the perimeter of the rim. To avoid damage to product, support the whirlpool by its base or feet.

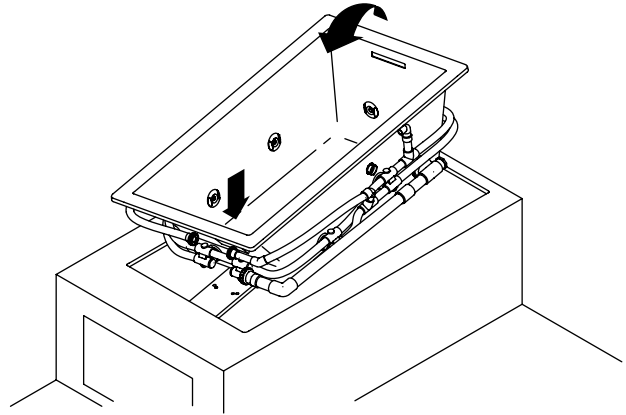
- Make sure the flooring offers adequate support for your whirlpool, and verify that the subfloor is flat and level.
- The whirlpool may be used in a drop-in or alcove installation. Construct 2x4 stud framing designed for your particular installation. Frame the floor, or construct a frame for a raised installation in accordance with the roughing-in information packed with the whirlpool.
- Use the roughing-in cut-out information to carefully lay out and cut the rough deck material.
- Install an access panel to allow the pump to be serviced.
- **For all installations:** To ensure the whirlpool does not rest on the rim, frame the floor or construct a frame for a raised installation. Refer to the roughing-in information packed with this bath.
- If an apron will be installed, construct the required additional support at this time. Refer to the installation instructions packed with the apron.
- Position the plumbing according to the roughing-in information. Cap the supplies, and check for leaks.

## 3. Prepare the Whirlpool

- We recommend a tiling-in bead for straight-rimmed whirlpools, if one or more sides of the whirlpool contact a wall. This bead prevents water from seeping between the whirlpool rim and the wall. Follow the instructions packed with the tiling-in bead to install the bead now.
- Install the drain to the whirlpool according to the drain manufacturer's instructions. Do not connect the trap at this time.
- Position a clean drop cloth or similar material in the bottom of the whirlpool. Be careful not to scratch the surface of the whirlpool.



*Tilt the whirlpool so the pump end enters the cutout first.*



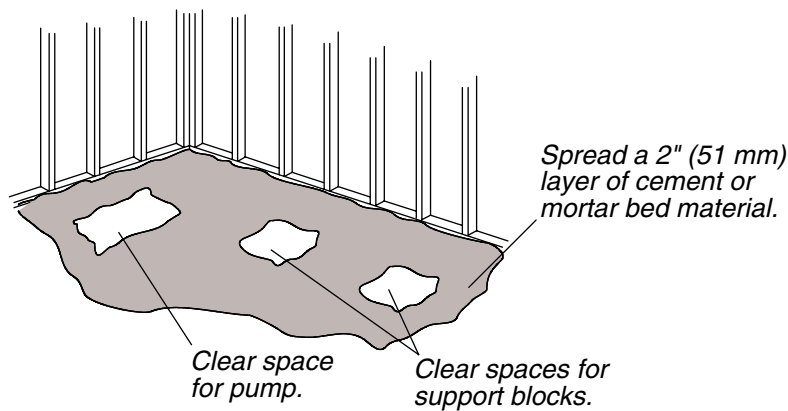
#### 4. Install the K-1168 Whirlpool

**NOTICE:** Follow these required steps to install the K-1168 whirlpool.

- Completely loosen the pump intake nut. Retain the O-ring if it is loose.
- Completely loosen the two heater nuts. Retain the O-rings if they are loose.
- Cut and remove the two pump banding straps.
- Unplug the control cable from the pump control outlet.
- Lift the pump motor and heater assembly out of the area.

**NOTICE:** Do not lift the whirlpool by the piping or pump, or use the piping or pump for structural support of the whirlpool. To avoid damage to the whirlpool, lift at the sides of the whirlpool.

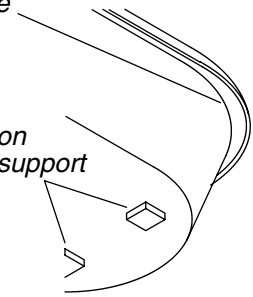
- With help, carefully position the whirlpool in the drop-in cutout. Tilt the whirlpool as needed so the pump end enters the cutout first.
- Secure the whirlpool to the subfloor as described in "Secure the Whirlpool to the Subfloor."
- Reposition the pump motor and heater assembly.
- Be sure the O-rings are in place, and securely hand tighten the pump intake and heater nuts.
- Plug the control cable into the pump control outlet.



Apply a bead of silicone sealant around the entire rim

or

Apply construction adhesive to the support blocks.



## 5. Secure the Whirlpool to the Subfloor

**NOTICE:** Do not lift the whirlpool by the piping or pump, or use the piping or pump for structural support of the whirlpool. To avoid damage to the whirlpool, lift at the sides of the whirlpool.

- Choose the installation option that best applies to your particular installation. Follow the appropriate instructions.
- If the subfloor is not level, shim the whirlpool support blocks as necessary.

### Option for Using a Cement or Mortar Bed

- Spread a 2" (51 mm) thick layer of cement or mortar on the subfloor where the whirlpool will be set. This will help secure, level, and support the unit. Clear all the material away from the pump control and support block locations.

**NOTE:** Do not use gypsum cement or drywall compound for this application, as they will not provide an acceptable, durable bond.

**NOTE:** The pump control (when the pump banding straps are cut) and support blocks must rest directly on the subfloor.

- Position a piece of plastic drop cloth material on top of the cement or mortar bed. With help, carefully lift the whirlpool into place, and make sure the pump control and support blocks do not rest in the bed material.
- Insert the drain tailpiece into the trap. Make sure the whirlpool is level and resting on all support blocks.

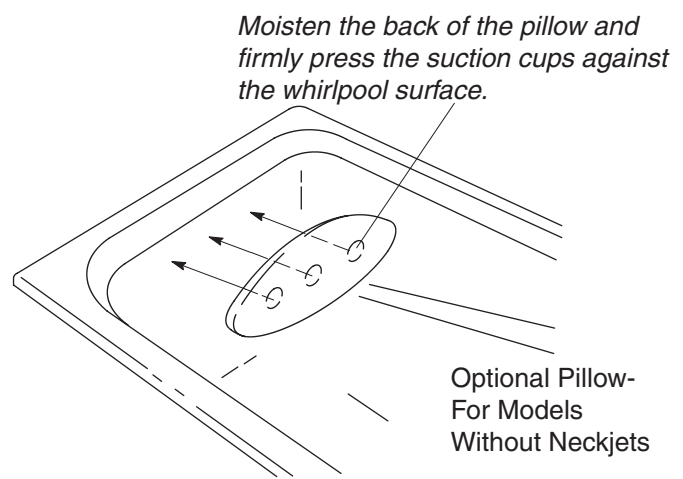
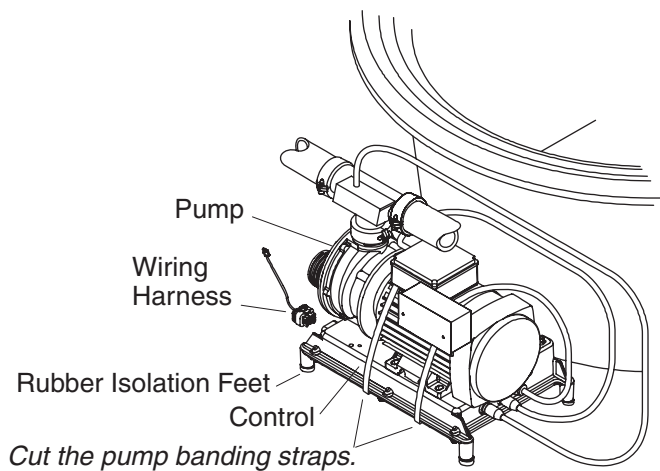
### Option for Using Construction Adhesive

- Apply a generous amount of high-quality construction adhesive to the bottom of the support blocks. With help, carefully lift the whirlpool into position.
- Insert the drain tailpiece into the trap. Make sure the whirlpool is level and resting on all support blocks.

### Option for Using Silicone Sealant

- With help, carefully lift the whirlpool into position.
- Insert the drain tailpiece into the trap. Make sure the whirlpool is level and resting on all support blocks.
- Apply a continuous bead of high-quality silicone sealant around the entire rim of the whirlpool.





## 6. Cut the Pump Banding Straps

**IMPORTANT!** This step is necessary to make your KOHLER whirlpool operate more quietly.

- Use tin snips to cut the two pump banding straps from the whirlpool pump.

**NOTE:** Do not raise the pump higher than it was before you cut the pump banding straps. If the pump is raised too high, it will not prime properly. Make sure the rubber isolation feet are in place.

- To minimize whirlpool noise and vibration, be sure the pump is not in direct contact with the shipping bracket after the pump banding straps are cut. The pump control contains rubber isolation feet to reduce pump noise.

## 7. Install the Plumbing



**CAUTION: Risk of property damage.** Ensure a watertight seal on the whirlpool drain.

- Connect the drain to the trap according to the drain manufacturer's instructions.

**NOTICE:** An access panel will simplify future maintenance.

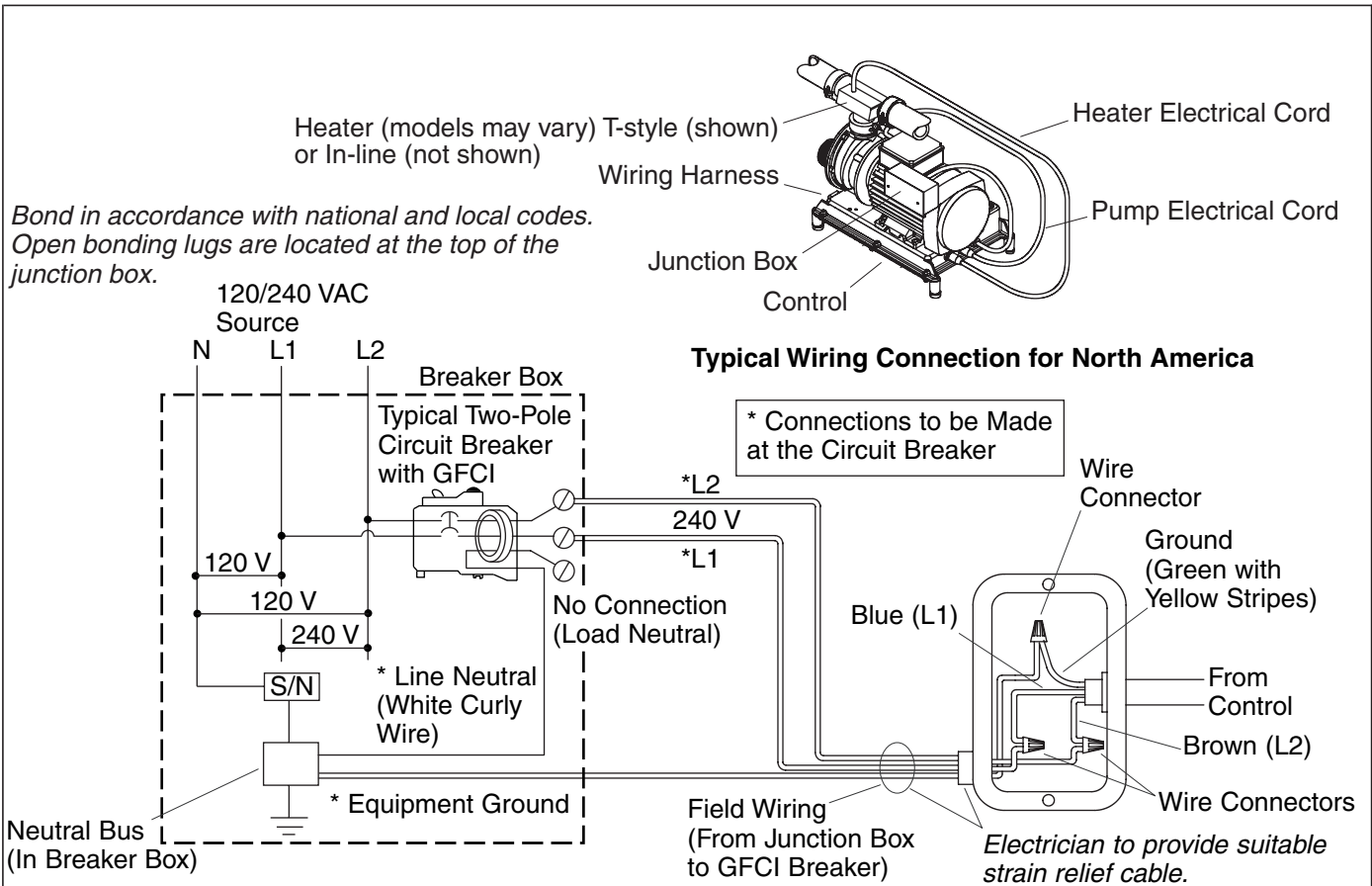
- Install the faucet valving according to the faucet manufacturer's instructions. Do not install the faucet trim until instructed. Open the hot and cold water supplies, and check the supply connections for leakage.
- Run water into the whirlpool, and check the drain connections for leakage.
- If required, install the grip rails. Refer to the installation instructions packed with the grip rails.

## 8. Install the Optional Pillow - For Models Without Neckjets



**CAUTION: Risk of property damage.** Do not submerge the pillow underwater, or use as a seat cushion.

- Clean the whirlpool surface of any soap film or oils. Suction cups are located on the back side of the pillow. Moisten the back side of the pillow at the suction cup locations, and position the pillow in the appropriate location on the whirlpool. Press firmly at the suction cup locations with the heel of your hand.
- Detach the pillow by lifting it off the whirlpool surface.



## 9. Make Electrical Connections

**NOTE:** The product model number is printed on a label on the pump side of the whirlpool bath. This label also identifies the electrical rating of the product. **All whirlpools come equipped with a wiring junction box and are designed to operate between 220 V and 240 V at either 50 Hz or 60 Hz.**



**WARNING: Risk of electrical shock.** Make sure the power has been disconnected before performing the following procedures. Refer to the "Important Information" section.

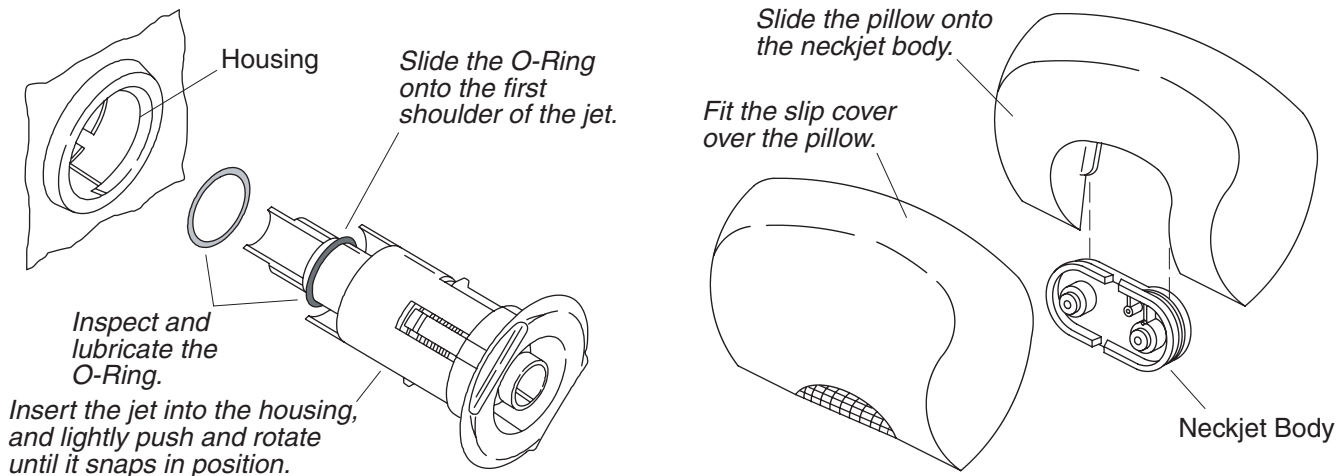


**WARNING: Risk of electrical shock.** To reduce the risk of electrical shock, connect the pump to a properly grounded Ground-Fault Circuit-Interrupter (GFCI) or Residual Current Device (RCD). This will provide additional protection against line-to-ground shock hazard. A 220-240 V, 20 A, 50/60 Hz dedicated circuit is required.

**IMPORTANT!** The **load neutral** is not used. There should be no connection to the **load neutral** terminal on the Ground-Fault Circuit-Interrupter (GFCI) breaker. The green wire with the yellow stripe is the **equipment ground** and needs to be connected to the neutral bus in the main circuit breaker box.

- The whirlpool bath control and system have been pre-wired at the factory. A licensed electrician should make a routine service connection to the junction box.
- Connect service to the junction box. The junction box contains blue, brown, and green with a yellow stripe colored wires.
- Follow local electrical codes. Bond in accordance with national and local codes.
- A wiring harness has been pre-wired at the factory, allowing communication between the keypad, all features, and the control. No additional wiring is required, but ensure that all wires are securely fastened.

**NOTE:** Your wiring harness included an antenna for the optional remote control. Do not alter or damage this antenna during installation.



## 10. Install the Whirlpool Trim Kit

- Install the whirlpool trim kit according to the instructions packed with the trim kit. Pay particular attention to the jet installation steps below - they are very important and are included here to help you obtain smooth, trouble-free jet operation.

**NOTE:** The jet O-ring must be correctly positioned, must be lubricated, and must be in good condition to permit easy rotation and proper operation of the jet.

- Install the O-ring onto the **first shoulder** of the jet. Lubricate the O-ring with silicone lubricant to prevent noisy operation of the jet.
- Carefully insert the jet into the housing, and lightly push and rotate the jet until it snaps into position. **Do not force the jet.**

**NOTE:** When installed correctly, the jet should turn smoothly both clockwise and counterclockwise.

## 11. Install the Neckjet Pillow ("-N1" Series Only)

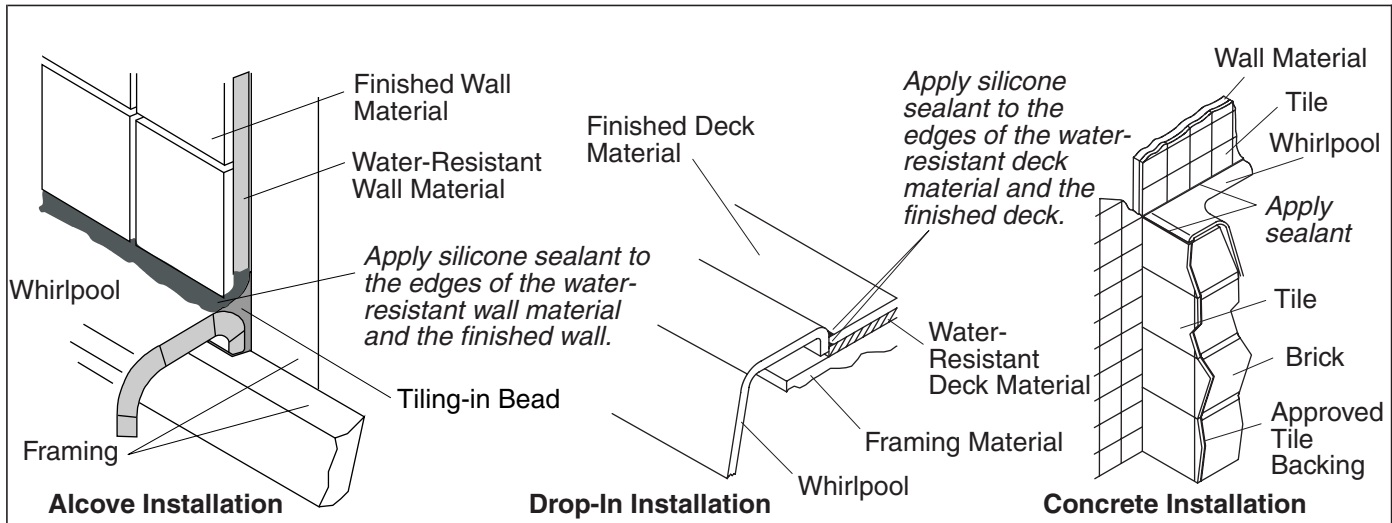
- The whirlpool is supplied with one pillow and two slip covers. The pillow includes a built-in magnetic reed switch. The neckjets will not operate unless the pillow is installed. Always use a slip cover to prevent water from spraying from the whirlpool.
- Choose a slip cover, and fit it over the pillow.
- Carefully slide the pillow down onto the neckjet body grooves until it is secure. The neckjets are now ready for use.
- We recommend periodic cleaning of the slip cover. Follow the cleaning instructions on the label attached to the slip cover.

## 12. Test Run the Whirlpool

- Check all electrical connections, and make sure the electrical power to the whirlpool is turned on.
- Make sure all union connections to the pump and heater are securely hand tightened.
- Verify that the pump banding straps have been cut, and that the pump control is resting directly on the subfloor. Ensure that the rubber isolation feet are in place.
- Fill the whirlpool to a level at least 2" (51 mm) above the top of the highest jet.
- Operate the whirlpool for 5 minutes (refer to the "Operating Sequence" section) and check all whirlpool piping connections, on the back side, for leaks.

**Test Run the Whirlpool (cont.)**

- Turn on each of the whirlpool features and verify proper function. Check for any water leakage on the whirlpool's back side.
- For additional information on whirlpool operation, see "Confirm Proper Operation" section.



### 13. Install the Optional Apron

- To install an optional apron, refer to the installation instructions included with the apron. Install this apron now, before the finished floor and wall materials are completed.

### 14. Complete the Finished Wall/Deck

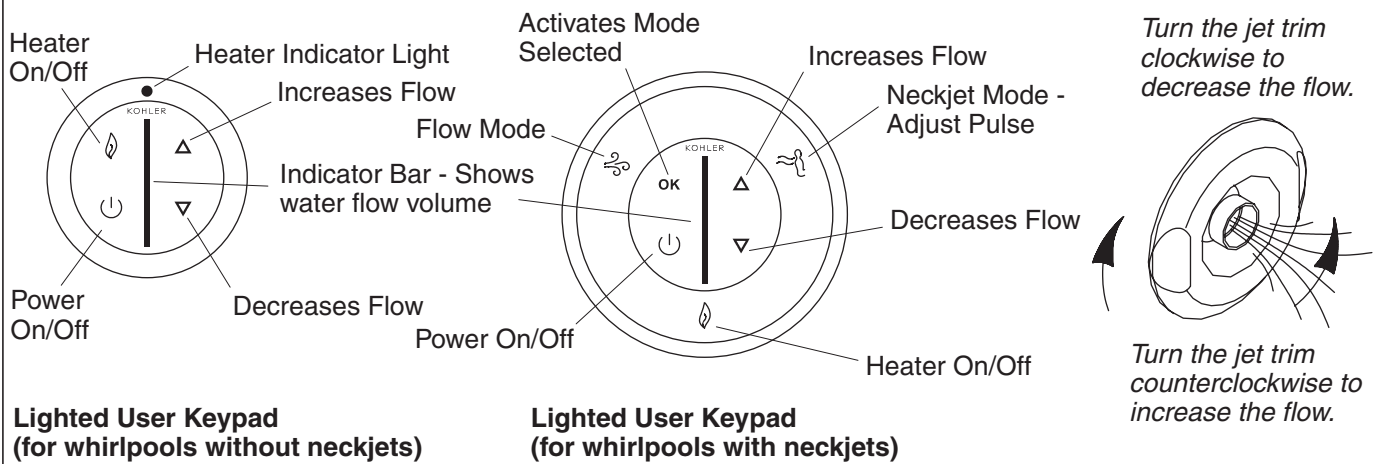
- If you have not already done so, carefully remove the protective tape from the whirlpool rim.
- Cover the framing with water-resistant wall/deck material. Seal the joints between the whirlpool rim edge and the water-resistant wall/deck material with silicone sealant.
- Tape and mud the water-resistant wall/deck material. Install the finished wall/deck to the water-resistant wall/deck material. Seal the joints between the whirlpool rim and the finished wall/deck material with silicone sealant.
- Install the faucet trim according to the instructions packed with the trim.

### 15. Complete the Concrete Installation

- If you have not already done so, carefully remove the protective tape from the whirlpool rim.
- Apply mortar and tile to the wall, deck and surround material as needed.
- Apply a bead of sealant where the tile meets the whirlpool surface.
- Install the faucet trim according to the instructions packed with the trim.

### 16. Clean-Up After Installation

- When cleaning up after installation, **do not use abrasive cleansers**, as they may scratch and dull the whirlpool surface. If necessary, use warm water and a liquid detergent to clean the surface of the whirlpool, user keypad and remote control.
- Remove stubborn stains, paint, or tar with turpentine or paint thinner. **Do not allow cleaners containing petroleum distillates to remain in contact with any whirlpool surfaces for long periods of time.** Remove plaster by carefully scraping with a wood edge. Do not use metal scrapers, wire brushes, or other metal tools. Use a powder-type detergent on a damp cloth to provide mild abrasive action to any residual plaster.



## 17. Confirm Proper Operation

### Fill the Whirlpool

**NOTE:** Please read these steps carefully before you operate your whirlpool.

- Position the jet nozzles so they face down toward the basin. Turn the jet trim rings fully counterclockwise.
- **Fill the whirlpool to a water level at least 2" (51 mm) above the top of the highest jet.**

**NOTE:** The water temperature in the whirlpool should not exceed 104°F (40°C). The heater will automatically turn off as the water temperature approaches 104°F (40°C) and will remain off until the water cools.

## 18. Operating Sequence

### Models without Neckjets

**NOTE:** A built-in heater automatically helps to maintain the water temperature when the whirlpool is running, as long as the water temperature does not exceed 104°F (40°C). The heater will disengage at higher temperatures.

**IMPORTANT!** Please refer to your Homeowners Guide for detailed instructions on the user keypad and optional remote control.

- Press the Power On/Off button to turn on the whirlpool. The whirlpool will start at medium flow.
- Increase or decrease the water flow by pressing either the up or down arrow buttons on the keypad. An indicator bar in the center of the keypad shows the water flow volume.
- Adjust each jet for optimum air/water mixture. Turn the jet trim clockwise to reduce the air flow, and counterclockwise to increase the air flow.
- Press the heater button to turn the heater off and back on. When illuminated, the indicator light shows that the water temperature will be maintained up to 104°F (40°C).
- Press the Power On/Off button a second time to turn the whirlpool off.

**NOTE:** A built-in timer automatically stops the pump and motor after approximately 20 minutes of operation.

### Models with Neckjets

## Operating Sequence (cont.)

**NOTE:** A built-in heater automatically helps to maintain the water temperature when the whirlpool is running, as long as the water temperature does not exceed 104°F (40°C). The heater will disengage at higher temperatures.

**IMPORTANT!** Please refer to your Homeowners Guide for detailed instructions on the user keypad and remote control.

- Press Power to turn on the whirlpool. The whirlpool will start at medium flow.
- Increase or decrease the water flow by pressing either the up or down arrow buttons on the keypad. An indicator bar in the center of the keypad shows the water flow volume.
- Adjust each jet for optimum air/water mixture. Turn the jet trim clockwise to reduce the air flow, and counterclockwise to increase the air flow.
- Make sure the slip cover is in place on the pillow, and the pillow is attached to the neckjet body.
- With the whirlpool operating, rotate the outer ring until the neckjet icon is flashing. Press "OK" to activate the neckjets. The neckjet pulsing action will start at medium speed.
- Increase or decrease the neckjet pulsing action by pressing either the up or down arrow buttons on the keypad.
- To activate or deactivate different modes while the neckjets are operating, rotate the outer ring until the desired mode is flashing and press "OK". (Example: To turn the heater off, rotate the dial until the heater icon is flashing and press "OK").
- Press "OK" while the neckjet mode is flashing to turn off the neckjets.
- Press the Power On/Off button a second time to turn the whirlpool off.

**NOTE:** A built-in timer automatically stops the pump and motor after approximately 20 minutes of operation.

## 19. Troubleshooting Procedures

This troubleshooting guide is for general aid only. A KOHLER Authorized Service Representative or qualified electrician should correct all electrical problems. For warranty service, contact your dealer or wholesale distributor.

### Troubleshooting the Whirlpool System

Symptoms	Probable Causes	Recommended Action
1. User keypad does not illuminate when power button is pressed or outer ring is rotated.	<p>A. No power to control.</p> <p>B. GFCI or RCD tripped.</p> <p>C. Wiring harness from user keypad to control is loose, disconnected or damaged.</p> <p>D. User keypad does not work.</p> <p>E. Control does not work.</p>	<p>A. Check wiring and connect power.</p> <p>B. Reset GFCI or RCD.</p> <p>C. Check wiring for proper connections. Replace wiring harness if necessary.</p> <p>D. Replace user keypad.</p> <p>E. Replace control.</p>
2. Motor starts, but all jets are not functioning.	<p>A. Jet is closed.</p> <p>B. Jet not installed correctly.</p> <p>C. Jets are blocked.</p>	<p>A. Rotate jet trim counterclockwise to open.</p> <p>B. Reinstall jet; check for O-ring damage.</p> <p>C. Remove blockage.</p>
3. User keypad is illuminated, but does not respond to buttons or outer ring.	<p>A. Control program is locked.</p>	<p>A. Reset GFCI or RCD.</p>

## Troubleshooting Procedures (cont.)

Symptoms	Probable Causes	Recommended Action
	<p><b>B.</b> Wiring harness from user keypad to control is loose, disconnected or damaged.</p> <p><b>C.</b> User keypad does not work.</p> <p><b>D.</b> Control does not work.</p>	<p><b>B.</b> Check wiring for proper connections. Replace wiring harness if necessary.</p> <p><b>C.</b> Replace user keypad.</p> <p><b>D.</b> Replace control.</p>
4. User keypad indicator bar keeps scanning at power-up.	<p><b>A.</b> Control program is locked.</p> <p><b>B.</b> Wiring harness from user keypad to control is loose, disconnected or damaged.</p> <p><b>C.</b> User keypad does not work.</p> <p><b>D.</b> Control does not work.</p>	<p><b>A.</b> Reset GFCI or RCD.</p> <p><b>B.</b> Check wiring for proper connections. Replace wiring harness if necessary.</p> <p><b>C.</b> Replace user keypad.</p> <p><b>D.</b> Replace control.</p>
5. User keypad is illuminated, but pump won't start.	<p><b>A.</b> Power cord from pump to control is loose, disconnected or damaged.</p> <p><b>B.</b> Pump does not work.</p> <p><b>C.</b> Control does not work.</p>	<p><b>A.</b> Check wiring for proper connections.</p> <p><b>B.</b> Replace pump.</p> <p><b>C.</b> Replace control.</p>
6. Motor runs but pump won't prime (cavitates).	<p><b>A.</b> Pump is shimmed too high.</p> <p><b>B.</b> Small air leak at pump inlet.</p> <p><b>C.</b> Motor/pump does not work.</p> <p><b>D.</b> Control does not work.</p>	<p><b>A.</b> Lower pump/control to subfloor level.</p> <p><b>B.</b> Securely tighten nut(s) on intake side of pump.</p> <p><b>C.</b> Replace motor/pump.</p> <p><b>D.</b> Replace control.</p>
7. Pump stops before 18 minutes.	<p><b>A.</b> GFCI or RCD tripped.</p> <p><b>B.</b> Suction is blocked.</p> <p><b>C.</b> Jets are blocked.</p> <p><b>D.</b> Motor overheated and protection device activated.</p>	<p><b>A.</b> Identify source of fault, and correct. Reset GFCI or RCD.</p> <p><b>B.</b> Remove obstruction.</p> <p><b>C.</b> Remove blockage.</p> <p><b>D.</b> Check for blockage at suction and/or jets. Remove blockage and allow motor to cool.</p>
8. Pump does not automatically stop after 22 minutes.	<p><b>A.</b> 20-minute timer inadvertently disabled.</p>	<p><b>A.</b> See service manual.</p>
9. Pump won't turn off when the power button on user keypad is pressed.	<p><b>A.</b> User keypad does not work.</p> <p><b>B.</b> Control does not work.</p>	<p><b>A.</b> Replace user keypad.</p> <p><b>B.</b> Replace control.</p>
10. Pump operates but variable speed feature does not work.	<p><b>A.</b> Motor/pump does not work.</p> <p><b>B.</b> Control does not work.</p>	<p><b>A.</b> Replace motor/pump.</p> <p><b>B.</b> Replace control.</p>
11. Bath water cools while pump is operating.	<p><b>A.</b> Water temperature above 104°F (40°C).</p> <p><b>B.</b> Heater is turned off on user keypad.</p> <p><b>C.</b> Wiring from heater to control is loose, disconnected or damaged.</p> <p><b>D.</b> Heater does not work.</p> <p><b>E.</b> Control does not work.</p>	<p><b>A.</b> Allow bath water to cool.</p> <p><b>B.</b> Turn heater on.</p> <p><b>C.</b> Check wiring for proper connections.</p> <p><b>D.</b> Replace heater.</p> <p><b>E.</b> Replace control.</p>
12. Noisy operation.	<p><b>A.</b> Pump banding straps have not been cut.</p>	<p><b>A.</b> Cut pump banding straps with tin snips.</p>



### Troubleshooting Procedures (cont.)

Symptoms	Probable Causes	Recommended Action
	B. Dry or dislodged jet O-ring (squeal).	B. Remove jet, replace and lubricate O-ring, and reinstall jet.
13. Remote control (if equipped) does not work.	A. Batteries improperly installed or dead. B. Antenna on wiring harness is damaged. C. Remote control not programmed correctly. D. Remote control does not work. E. Control does not work.	A. Replace batteries. B. Replace wiring harness. C. See homeowners guide or service manual. D. Replace remote control. E. Replace control.

### Troubleshooting the Neckjet System

Symptoms	Probable Causes	Recommended Action
14. Keypad does not respond when neckjet mode is selected.	A. User keypad does not work.	A. Replace user keypad.
15. Pump operates but neckjets do not turn on. Indicator bar on user keypad is flashing.	A. Pillow is not installed. B. Reed switch does not work. C. Wiring harness from neckjet to control is loose, disconnected or damaged.	A. Make sure the pillow is properly attached to the neckjet body. B. Check reed switch wiring and replace if necessary. C. Check wiring for proper connections. Replace wiring harness if necessary.
16. Pump operates but neckjets do not turn on. Indicator bar on user keypad is NOT flashing.	A. Neckjet line is blocked. B. Wiring harness from neckjet to control is loose, disconnected or damaged. C. Butterfly valve does not work. D. Control does not work.	A. Disconnect neckjet hoses and remove blockage. B. Check wiring for proper connections. Replace wiring harness if necessary. C. Replace butterfly valve. D. Replace control.
17. Water flows from neckjets, but neckjets do not pulse.	A. Wiring harness from neckjet pulse cannister to control is loose, disconnected or damaged. B. Pulse cannister does not work. C. Control does not work.	A. Check wiring for proper connections. Replace wiring harness if necessary. B. Replace pulse cannister. C. Replace control.

# Guide d'installation

## Baignoire à hydromassage encastrée

### Informations importantes



**AVERTISSEMENT:** Lors de l'utilisation des produits électriques, des précautions de base doivent toujours être observées, incluant ce qui suit:



**DANGER: Risque d'électrocution.** Raccorder uniquement à des circuits protégés par un Disjoncteur de Fuite de Terre (GFCI) ou un appareil de courant résiduel (RCD).

Les matériaux de construction et le câblage devraient être acheminés loin du corps de la pompe et des autres composants qui dégagent de la chaleur de l'unité.

Installer de façon à permettre l'accès pour l'entretien.

Installer l'unité conformément au Code canadien de l'électricité, 1ère partie.

Un connecteur à pression pour câbles marqué "Terre/Masse" est fourni dans le compartiment de câblage. Afin de réduire les risques de choc électrique, raccorder le connecteur à une borne de terre du panneau de service électrique avec un câble en cuivre ayant la même dimension que le fil conducteur qui alimente cet équipement.

Un connecteur à pression par câble est prévu à l'extérieur de la boîte de jonction de la pompe ou de la commande de cet appareil afin de permettre la connexion entre l'appareil et toutes autres surfaces de métal avoisinantes, tel que requis par les normes locales.

**Une mise à la terre est requise.** L'unité doit être installée par un représentant qualifié et être mise à la terre.



**AVERTISSEMENT: Risque d'électrocution.** Un électricien agréé devrait faire tous les branchements électriques.



**AVERTISSEMENT: Risque d'électrocution.** Débrancher l'alimentation avant de procéder à l'entretien.



**AVERTISSEMENT: Risque de blessures ou d'endommagement du matériel.** Toutes les instructions doivent être lues avec la plus grande attention avant de commencer l'installation, et toutes les conditions suivantes doivent être respectées.

**AVIS:** Respecter tous les codes de plomberie et électriques locaux.

### Information sur le produit

#### Branchements électriques requis

L'installation électrique doit avoir un Disjoncteur de Fuite de Terre (GFCI) ou un appareil de courant résiduel (RCD) de classe A. Le GFCI ou le RCD protège contre une électrocution par la mise à la terre. **Raccorder la baignoire à hydromassage à une alimentation indépendante de 220/240 V, 20 A, 50/60 Hz.**

#### Notices du produit



**AVERTISSEMENT:** Des modifications non approuvées pourraient provoquer un fonctionnement dangereux ou un mauvais fonctionnement de la baignoire à hydromassage. Ne pas déplacer la pompe d'hydromassage ou effectuer d'autres modifications au système d'hydromassage car cela pourrait affecter les performances et la sécurité de la baignoire à hydromassage. Kohler Co. décline

## Information sur le produit (cont.)

toute responsabilité sous ses garanties quant à toutes blessures ou dommages causés par des modifications non autorisées.

## Caractéristiques

**Série "-N1":** Les composants comprennent une pompe, un chauffe-eau, une valve d'arrêt, des jets de cou, un bandeau amovible et un voyant lumineux (clavier de l'utilisateur).

**Séries "-H2":** Les composants comprennent une pompe, un chauffe-eau, un contrôle et un voyant lumineux (clavier de l'utilisateur).

La pompe et la tuyauterie de la baignoire à hydromassage ont été assemblées en usine.

## Connexions et accès pour l'entretien

S'assurer d'avoir suffisamment d'accès pour les connexions finales avant l'installation.

**AVIS: Fournir un large accès non restreint de service à la pompe.** Il faut prévoir un accès pour l'entretien de la pompe et des contrôles. L'accès doit être situé tout près de la pompe. Étudier les instructions de raccordement accompagnant la baignoire à hydromassage.

## Sommaire

Informations importantes	1
Information sur le produit	1
Branchements électriques requis	1
Notices du produit	1
Caractéristiques	2
Connexions et accès pour l'entretien	2
Avant de commencer	3
Outils et matériels	3
Préparer le site	4
Préparer le site	5
Préparer la baignoire à hydromassage	5
Installer la baignoire à hydromassage K-1168	6
Fixer la baignoire à hydromassage au sous-plancher	7
Sectionner les sangles de retenue de la pompe	9
Installer la plomberie	9
Installer l'oreiller optionnel pour des modèles sans jets pour le cou	9
Faire les connexions électriques	11
Installer le kit de garniture de la baignoire à hydromassage	13
Installer l'oreiller du jet pour le cou (uniquement série "-N1")	13
Tester la baignoire à hydromassage	13
Installer le bandeau optionnel	15
Compléter le mur/comptoir fini	15
Compléter l'installation en béton	15
Nettoyage après installation	15
Confirmer le bon fonctionnement	17
Séquence d'opération	17
Procédures de dépannage	18

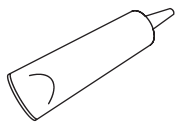
## Avant de commencer

**AVIS:** Ne pas soulever la baignoire à hydromassage par la tuyauterie ou la pompe ni utiliser la tuyauterie ou la pompe pour soutenir la baignoire à hydromassage. Afin d'éviter tout endommagement de la baignoire à hydromassage, la soulever par les côtés.

**AVIS:** Ne pas supporter le poids de charge de la baignoire à hydromassage par le périmètre du rebord. Pour éviter tout endommagement du produit, supporter le bain à hydromassage par sa base ou ses pieds.

- Nous recommandons cette baignoire à hydromassage pour une installation encastrée ou dans une alcôve.
- Avant de commencer l'installation, examiner la baignoire à hydromassage pour y déceler tout dommage.
- Cette baignoire à hydromassage doit être installée sur un sol nivelé adéquat.
- En cas d'utilisation d'un bandeau optionnel: construire le support supplémentaire requis et installer le bandeau optionnel avant de terminer la finition du plancher et du mur. Se référer aux instructions d'installation accompagnant le bandeau.
- Confirmer un support adéquat pour le robinet à montage sur rebord; les gros robinets qui auraient été utilisés par inadvertance comme moyen de support ne sont pas appropriés ou sécuritaires pour cette installation.
- Kohler Co. se réserve le droit d'apporter toutes modifications sur le design des produits et ceci sans préavis, tel que spécifié dans le catalogue des prix.

## Outils et matériels



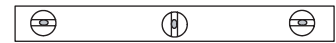
Silicone  
d'étanchéité



Mètre ruban



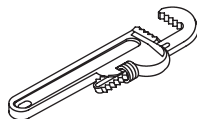
Crayon à  
papier



Niveau à bulle



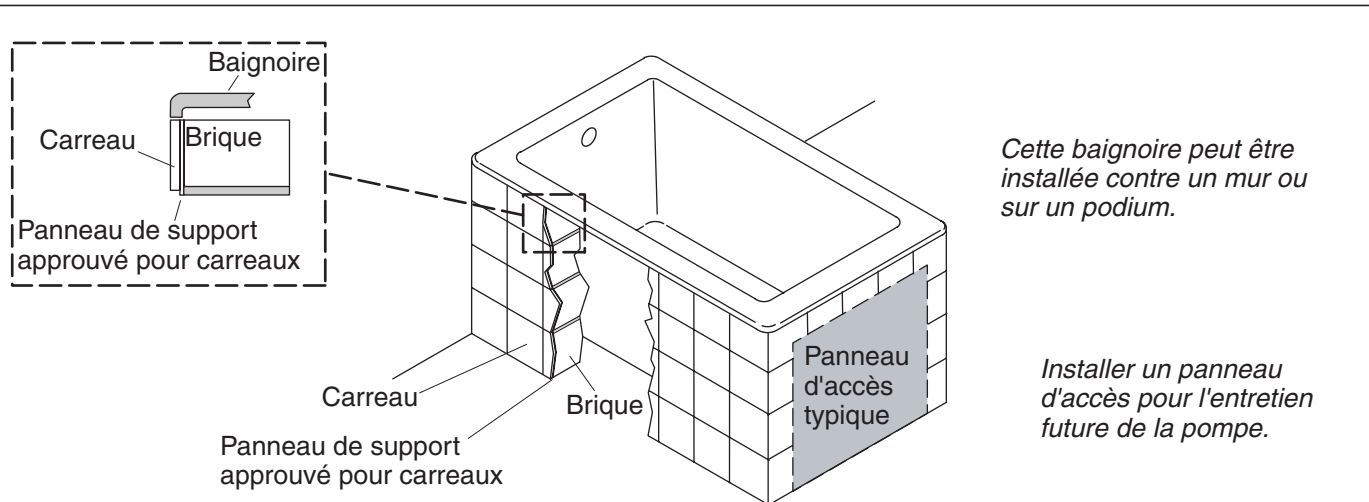
Lunettes de  
protection



Clé à griffes

**Plus :**

- Outils conventionnels de menuiserie ou outils et matériaux pour installation
- Bâche de protection



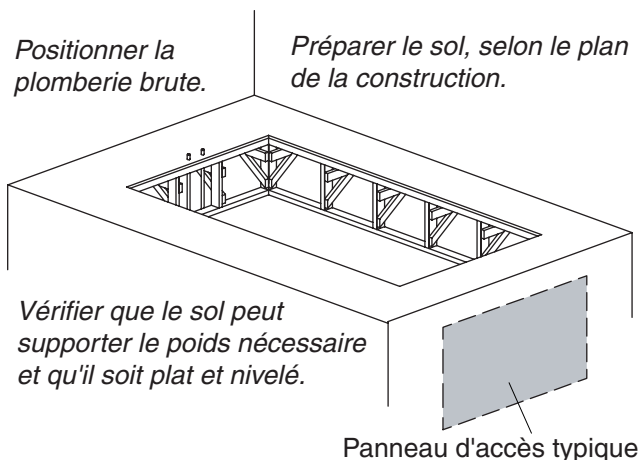
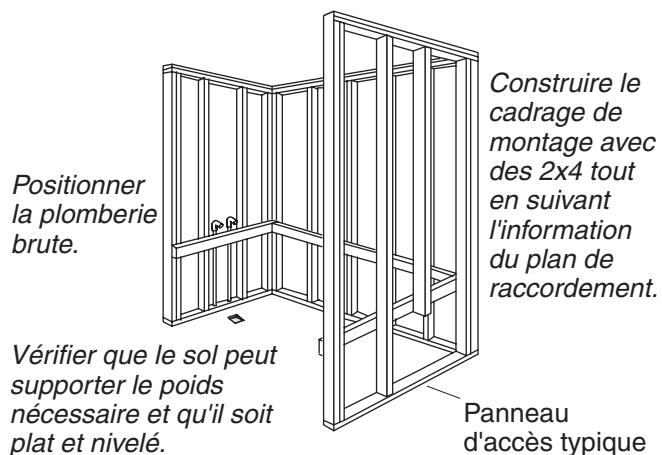
## 1. Préparer le site

### Construction en béton

**AVIS:** Un support adéquat doit être fourni. Consulter le guide du raccordement emballé avec la baignoire à hydromassage pour les spécifications de préparation du sol.

**AVIS:** Ne pas supporter le poids de charge de la baignoire à hydromassage par le périmètre du rebord. Pour éviter tout endommagement du produit, supporter le bain à hydromassage par sa base ou ses pieds.

- S'assurer que le sol constitue un support adéquat pour la baignoire à hydromassage et que le plancher soit plat et nivelé.
- Cette baignoire à hydromassage peut être installée contre le mur ou sur un podium. L'installation sur podium nécessite un encadrement sur les quatre côtés. Dans les deux cas, s'assurer que le comptoir soit supporté par des briques ou par une structure en béton.
- Installer un panneau d'accès pour un entretien futur de la pompe.
- Construire des supports en brique ou béton.
- **Pour toutes les installations:** Pour assurer que la baignoire à hydromassage ne repose pas sur le rebord, cadrer le plancher ou construire un cadre pour une installation surélevée. Consulter le plan de raccordement accompagnant cette baignoire.
- Lors de l'installation d'un bandeau, construire le support supplémentaire requis à ce point. Se référer aux instructions d'installation accompagnant le bandeau.
- Positionner la plomberie selon le plan de raccordement accompagnant cette baignoire. Boucher les alimentations et vérifier s'il y a des fuites.



## 2. Préparer le site

### Construction en bois

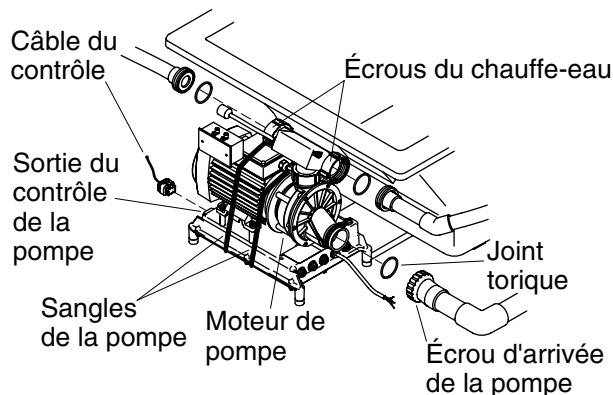
**AVIS:** Un support adéquat doit être fourni. Consulter le guide du raccordement emballé avec la baignoire à hydromassage pour les spécifications de préparation du sol.

**AVIS:** Ne pas supporter le poids de charge de la baignoire à hydromassage par le périmètre du rebord. Pour éviter tout endommagement du produit, supporter le bain à hydromassage par sa base ou ses pieds.

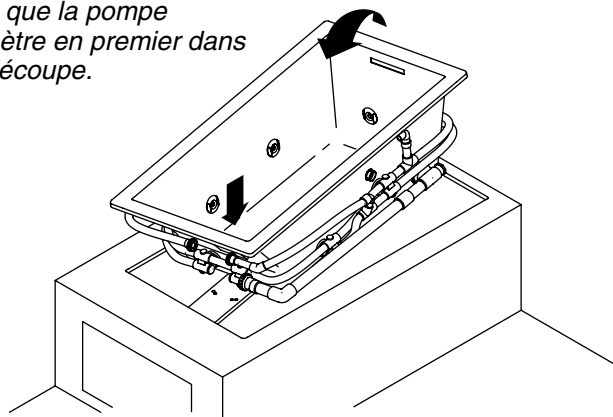
- S'assurer que le sol constitue un support adéquat pour la baignoire à hydromassage et que le plancher soit plat et nivelé.
- La baignoire à hydromassage peut être installée dans une installation encastré ou en alcôve. Construire un encadrement de montant de 2x4 conçu pour l'installation en question. Cadrer le sol ou construire un encadrement pour une installation surélevée en accordance avec le plan de raccordement fourni avec la baignoire à hydromassage.
- À l'aide du plan de raccordement, tracer et découper avec précaution le matériau brut du comptoir.
- Installer un panneau d'accès pour un entretien futur de la pompe.
- **Pour toutes les installations:** Pour assurer que la baignoire à hydromassage ne repose pas sur le rebord, cadrer le plancher ou construire un cadre pour une installation surélevée. Consulter le plan de raccordement accompagnant cette baignoire.
- Lors de l'installation d'un bandeau, construire le support supplémentaire requis à ce point. Se référer aux instructions d'installation accompagnant le bandeau.
- Positionner la plomberie selon l'information du plan du raccordement. Boucher les alimentations et vérifier s'il y a des fuites.

## 3. Préparer la baignoire à hydromassage

- Nous recommandons une bande à carrelé pour des baignoires à hydromassage à côté droit, si un ou plusieurs côtés de la baignoire sont en contact avec un mur. Ceci empêchera l'infiltration d'eau entre le rebord de la baignoire à hydromassage et le mur. Suivre les instructions d'installation fournies avec le rebord carrelé pour l'installer maintenant.
- Installer le drain sur la baignoire à hydromassage selon les instructions du fabricant. Ne pas connecter le siphon à ce moment.
- Placer un chiffon propre ou matière similaire à la base de la baignoire à hydromassage. S'assurer de ne pas rayer la surface de la baignoire à hydromassage.



*Pencher la baignoire à hydromassage afin que la pompe pénètre en premier dans la découpe.*



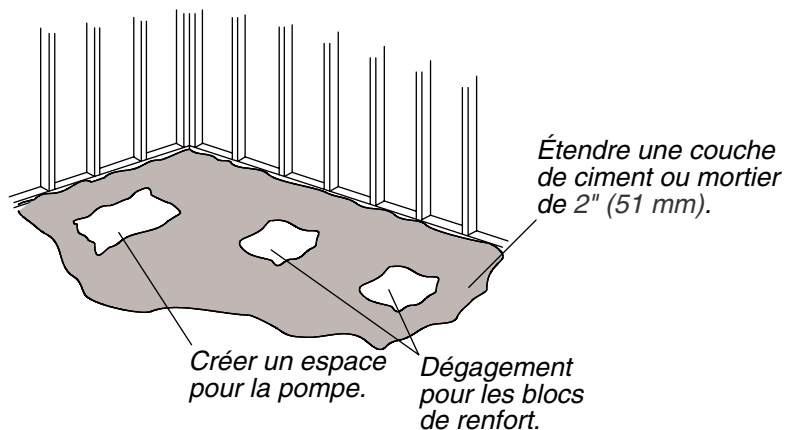
#### 4. Installer la baignoire à hydromassage K-1168

**AVIS:** Suivre les étapes requises ci-dessous pour installer la baignoire à hydromassage K-1168.

- Desserrer complètement l'écrou de la pompe d'arrivée. Retenir le joint torique s'il est lâche.
- Desserrer complètement les deux écrous du chauffe-eau. Retenir le joint torique s'ils sont lâches.
- Couper et retirer les deux sangles de retenue de la pompe.
- Débrancher le câble de contrôle de la prise de sortie de la pompe.
- Soulever et enlever le moteur de la pompe et l'ensemble du chauffe-eau.

**AVIS:** Ne pas soulever la baignoire à hydromassage par la tuyauterie ou la pompe ni utiliser la tuyauterie ou la pompe pour soutenir la baignoire à hydromassage. Afin d'éviter tout endommagement de la baignoire à hydromassage, la soulever par les côtés.

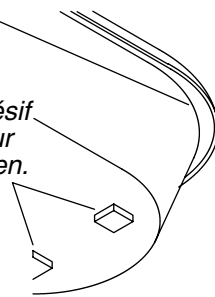
- Avec de l'aide, placer soigneusement la baignoire à hydromassage dans la découpe d'encastrement. Pencher la baignoire à hydromassage selon le besoin pour que la pompe pénètre en premier dans la découpe.
- Fixer la baignoire à hydromassage au sous-plancher tel que décrit à la section "Fixer la baignoire à hydromassage au sous-plancher".
- Replacer le moteur de la pompe et l'ensemble du chauffe-eau.
- Vérifier que les joints toriques sont en place et bien serrer à la main l'arrivée de la pompe et les écrous du chauffe-eau.
- Brancher le câble de contrôle de la prise de sortie de la pompe.



Appliquer un cordon de mastic à la silicone tout autour du rebord

ou

Appliquer un adhésif de construction sur les blocs de soutien.



## 5. Fixer la baignoire à hydromassage au sous-plancher

**AVIS:** Ne pas soulever la baignoire à hydromassage par la tuyauterie ou la pompe ni utiliser la tuyauterie ou la pompe pour soutenir la baignoire à hydromassage. Afin d'éviter tout endommagement de la baignoire à hydromassage, la soulever par les côtés.

- Choisir l'option d'installation qui s'applique le mieux à votre installation. Suivre les instructions correspondantes.
- Si le sous-plancher n'est pas à niveau, placer des blocs de renfort sous la baignoire à hydromassage, si nécessaire.

### Option pour l'utilisation de ciment ou de mortier

- Étendre une couche de ciment ou mortier de 2" (51 mm) d'épaisseur sur le sous-plancher à l'endroit d'installation de la baignoire à hydromassage. Ceci aidera à sécuriser, niveler et supporter l'unité. Nettoyer tout matériau se trouvant à la base de la pompe et aux emplacements des blocs de support.

**REMARQUE:** Ne pas utiliser de plâtre dur ou un mélange pour cloison sèche pour cette installation, car ces produits ne fourniront pas un scellement acceptable et durable.

**REMARQUE:** Le contrôle de la pompe (une fois les sangles de retenue coupées) et les blocs de support doivent reposer directement sur le sol.

- Positionner une bâche en plastique sur le lit de ciment ou de mortier. Avec de l'aide, soulever et mettre soigneusement la baignoire à hydromassage en place et s'assurer que le contrôle de la pompe et les blocs de support ne reposent pas dans le matériau de l'embase.
- Insérer la pièce de raccordement du drain dans le siphon. S'assurer que la baignoire à hydromassage soit nivelée et qu'elle repose sur tous les blocs de renfort.

### Option pour l'utilisation d'un adhésif de construction

- Appliquer un adhésif de construction de haute qualité à la base des blocs de renfort. Avec de l'assistance, soulever et mettre la baignoire à hydromassage en place avec précaution.
- Insérer la pièce de raccordement du drain dans le siphon. S'assurer que la baignoire à hydromassage soit nivelée et qu'elle repose sur tous les blocs de renfort.

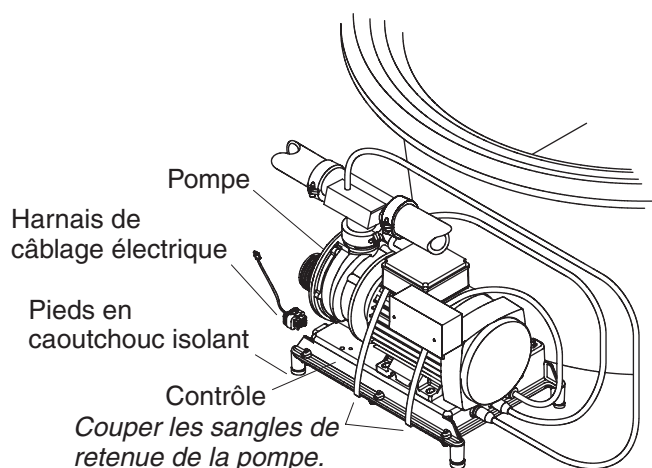
### Option d'utilisation d'un joint en silicone

- Avec de l'assistance, soulever et mettre la baignoire à hydromassage en place avec précaution.
- Insérer la pièce de raccordement du drain dans le siphon. S'assurer que la baignoire à hydromassage soit nivelée et qu'elle repose sur tous les blocs de renfort.

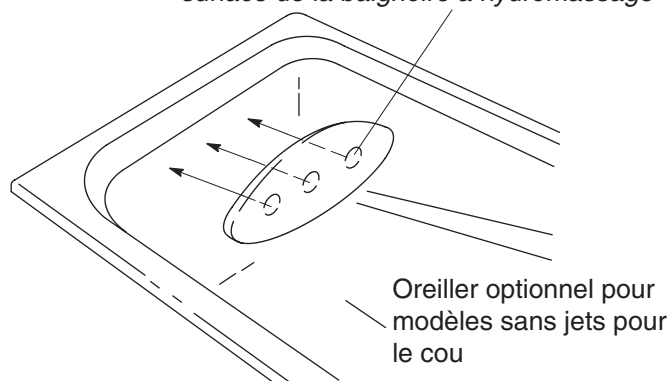


**Fixer la baignoire à hydromassage au sous-plancher (cont.)**

- Appliquer du mastic à la silicone de bonne qualité tout autour du rebord de la baignoire à hydromassage.



Humecter le dos de l'oreiller et presser fermement sur les ventouses contre la surface de la baignoire à hydromassage



## 6. Sectionner les sangles de retenue de la pompe

**IMPORTANT!** Cette étape est nécessaire pour que votre baignoire à hydromassage KOHLER fonctionne plus silencieusement.

- Utiliser une cisaille pour sectionner les sangles de retenue de la pompe de la baignoire à hydromassage.

**REMARQUE:** Ne pas soulever la pompe à un niveau supérieur à celui d'avant avoir coupé les sangles de retenue. Si la pompe est trop élevée, elle ne s'amorcera pas correctement. S'assurer que les pieds d'isolation en caoutchouc sont en place.

- Pour réduire les bruits et vibrations émanant de la baignoire à hydromassage, s'assurer que la pompe ne soit pas en contact direct des supports d'expédition après que les sangles aient été sectionnées. Le contrôle de la pompe contient des pieds en caoutchouc isolant pour réduire le bruit de la pompe.

## 7. Installer la plomberie



**ATTENTION: Risque d'endommagement du matériel.** Assurer un joint étanche sur le drain de la baignoire à hydromassage.

- Installer le vidage au siphon selon les instructions du fabricant qui accompagnent le produit.

**AVIS:** Un panneau d'accès facilitera une maintenance future.

- Installer les valves du robinet conformément aux instructions du fabricant. Ne pas installer la garniture du robinet avant l'instruction de le faire. Ouvrir les alimentations d'eau chaude et froide et vérifier qu'il n'y ait pas de fuites.
- Laisser couler l'eau dans la baignoire à hydromassage et vérifier s'il y a des fuites dans les connexions du drain.
- Si requis, installer les rails d'appui. Se référer aux instructions d'installation emballées avec les rails d'appui.

## 8. Installer l'oreiller optionnel pour des modèles sans jets pour le cou

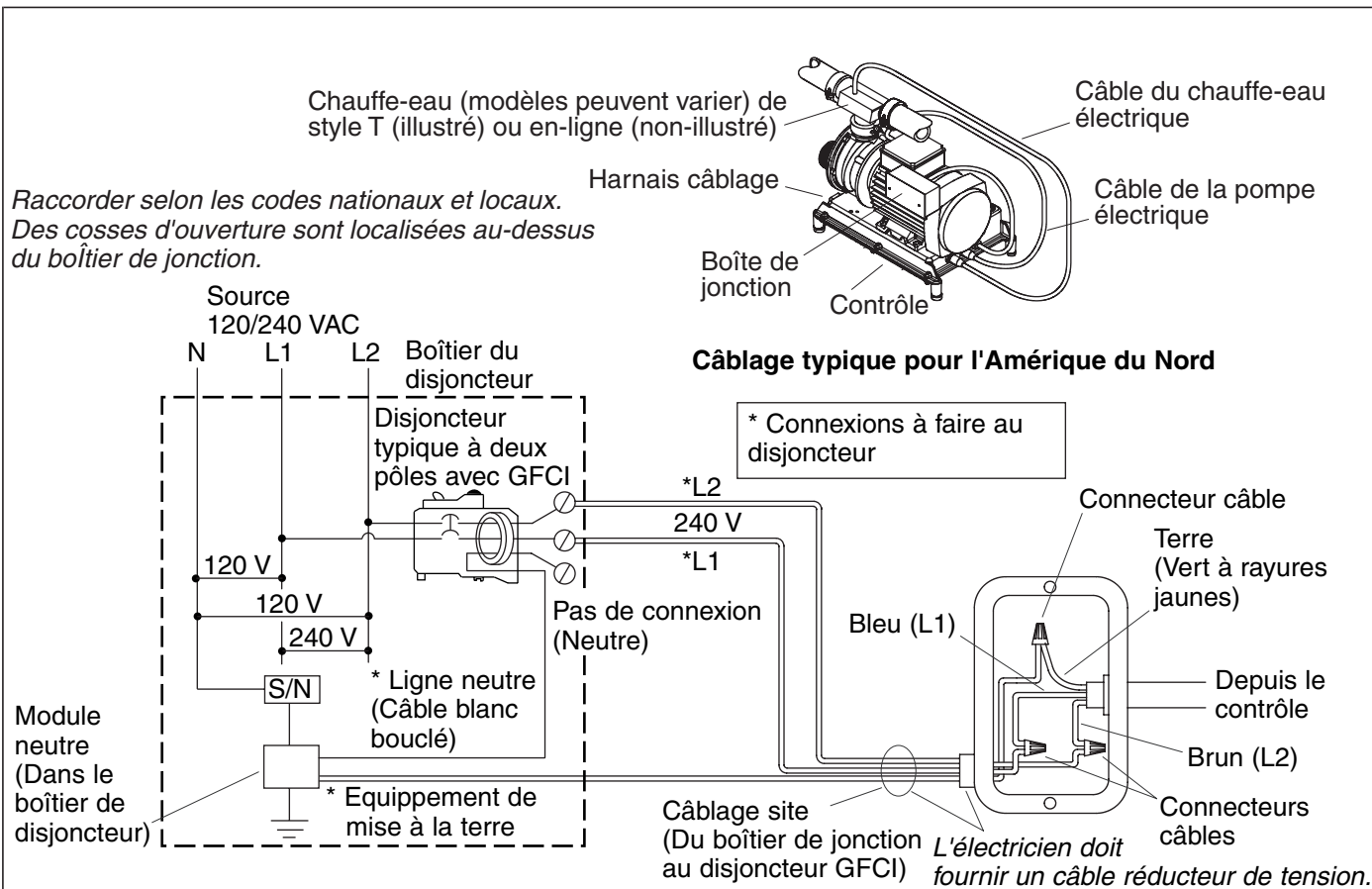


**ATTENTION: Risque d'endommagement du matériel.** Ne pas submerger le coussin dans l'eau, et ne pas l'utiliser comme siège.

- Éliminer toute trace de savon ou d'huile de la surface de la baignoire à hydromassage. Les ventouses se trouvent au dos du coussin. Humecter les ventouses au dos du coussin et presser au bon endroit contre la surface de la baignoire à hydromassage. Presser fermement au niveau des ventouses avec la paume de la main.

**Installer l'oreiller optionnel pour des modèles sans jets pour le cou (cont.)**

- Détacher le coussin en le soulevant de la surface de la baignoire.



## 9. Faire les connexions électriques

**REMARQUE:** Le numéro de modèle du produit est imprimé sur une étiquette placée du côté de la pompe de la baignoire à hydromassage. Cette étiquette identifie aussi les caractéristiques électriques du produit. **Toutes les baignoires à hydromassage sont équipées d'une boîte de jonction et sont conçues pour opérer entre 220 V et 240 V soit à 50 HZ ou 60 Hz.**



**AVERTISSEMENT: Risque d'électrocution.** S'assurer que l'alimentation ait été débranchée avant d'effectuer les procédures suivantes. Se référer à la section "Informations importantes".



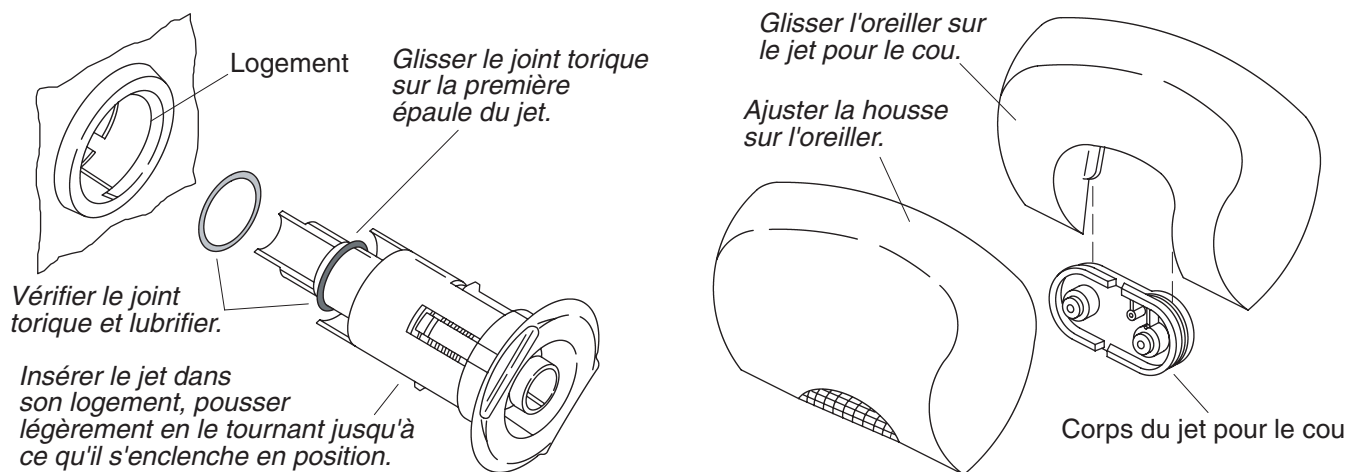
**AVERTISSEMENT: Risque d'électrocution.** Afin de réduire les risques de choc électrique, connecter la pompe à une prise de terre, protégée par un Disjoncteur de Fuite de Terre (GFCI) ou un appareil de courant résiduel (RCD). Ceci fournira une mesure de protection additionnelle contre le risque d'électrocution. Un circuit dédié de 220V/240V, 20 A, 50/60Hz. est nécessaire.

**IMPORTANT!** Les lavabos **charge neutre** n'est pas utilisée. Il ne devrait pas y avoir de connexion au terminal de **charge neutre** du disjoncteur coupe-circuit (GFCI). Le câble vert à rayure jaune est le **le conducteur de terre** et doit être connecté au module neutre du boîtier du disjoncteur principal.

- Le contrôle et le système de la baignoire à hydromassage ont été pré-câblés en usine. Un électricien agréé devrait faire la connexion de routine à la boîte de jonction.
- Connecter le service au boîtier de jonction. La boîte de jonction contient des câbles bleus, marrons et verts à rayures.
- Suivre tous les codes électriques locaux. Raccorder conformément aux codes nationaux et locaux.
- Un harnais a été pré-câblé en usine, permettant la communication entre le clavier, toutes les caractéristiques, et le contrôle. Aucun câblage supplémentaire n'est nécessaire, mais s'assurer que tous les câbles soient bien sécurisés.

**Faire les connexions électriques (cont.)**

**REMARQUE:** Votre harnais de câblage comprend une antenne pour la télécommande optionnelle. Ne pas modifier ni endommager cette antenne pendant l'installation.



## 10. Installer le kit de garniture de la baignoire à hydromassage

- Installer le kit de la garniture de la baignoire à hydromassage selon les instructions accompagnant la trousse de garniture. Observer avec attention les directives d'installation du jet ci-dessous - elles sont très importantes et sont incluses pour aider à réaliser une opération sans problème.

**REMARQUE:** Le joint torique doit être positionné correctement, il doit être en bon état et lubrifié adéquatement afin d'assurer la rotation et le bon fonctionnement du jet.

- Installer le joint torique sur le **premier épaulement** du jet. Lubrifier le joint torique avec de la silicone de lubrification afin d'éviter le fonctionnement bruyant du jet.
- Insérer délicatement le jet dans le logement, puis pousser et pivoter légèrement jusqu'à ce qu'il s'enclenche en place. **Ne pas forcer le jet.**

**REMARQUE:** Lorsqu'il est bien installé, le jet devrait pivoter aisément dans les deux sens.

## 11. Installer l'oreiller du jet pour le cou (uniquement série "-N1")

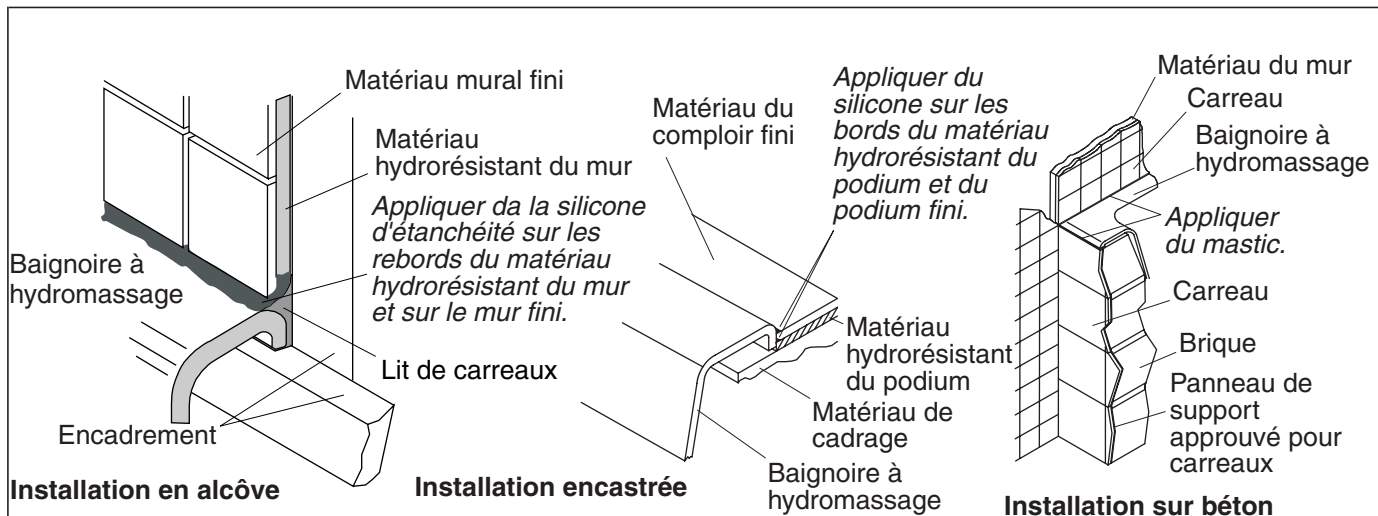
- La baignoire à hydromassage comprend un coussin et deux housses. Le coussin comprend un interrupteur magnétique intégré. Les jets du cou ne fonctionneront pas si le coussin n'est pas installé. Utiliser la housse pour éviter les éclaboussures d'eau de la baignoire à hydromassage.
- Choisir une housse et l'ajuster sur le coussin.
- Glisser délicatement le coussin sur les rainures du jet du cou jusqu'à sécuriser. Les jets du cou sont maintenant prêts à l'utilisation.
- Nous recommandons un entretien périodique des housses. Suivre les instructions d'entretien et nettoyage sur l'étiquette de la housse.

## 12. Tester la baignoire à hydromassage

- Contrôler toutes les connexions électriques, et s'assurer que l'alimentation électrique de la baignoire à hydromassage soit en marche.
- S'assurer que tous les raccords à la pompe et au chauffe-eau soient fermement serrés à la main.
- S'assurer également que les sangles de retenue des pompes aient été sectionnées et que la pompe repose directement sur le plancher. S'assurer que les pieds d'isolation en caoutchouc soient en place.
- Remplir la baignoire à hydromassage à un niveau se trouvant à au moins 2" (51 mm) au-dessus du haut du jet le plus élevé.

### **Tester la baignoire à hydromassage (cont.)**

- Opérer la baignoire à hydromassage pendant 5 minutes (se référer à la section "Séquence d'opération") et inspecter tous les raccords des tuyaux de la baignoire à hydromassage, à l'arrière, de toutes fuites.
- Activer chaque option de la baignoire à hydromassage et vérifier leur bon fonctionnement. Vérifier s'il y a des fuites au côté arrière de la baignoire à hydromassage.
- Pour plus d'information concernant le fonctionnement de la baignoire à hydromassage, se référer à la section "Confirmer le bon fonctionnement".



### 13. Installer le bandeau optionnel

- Pour installer le bandeau optionnel, consulter les instructions d'installation qui accompagnent le bandeau. Installer le bandeau à ce moment, avant de compléter le sol fini et les matériaux du mur.

### 14. Compléter le mur/comptoir fini

- Retirer soigneusement la pellicule de protection recouvrant la surface de la baignoire à hydromassage si cela n'a pas déjà été fait.
- Couvrir l'encadrement avec du matériau hydrorésistant de mur/comptoir. Sceller les joints entre le rebord de la baignoire à hydromassage et le matériau hydrorésistant du mur/comptoir à l'aide d'un mastic à la silicone.
- Poser et appliquer le matériau hydrorésistant du mur/comptoir. Installer le mur/comptoir fini sur le matériau hydrorésistant du mur/comptoir. Étancher les joints entre le rebord de la baignoire à hydromassage et le matériau du mur/comptoir fini à l'aide de silicone.
- Installer la garniture du robinet suivant les instructions emballées avec celle-ci.

### 15. Compléter l'installation en béton

- Retirer soigneusement la pellicule de protection recouvrant la surface de la baignoire à hydromassage si cela n'a pas déjà été fait.
- Appliquer du mortier et poser les carreaux sur le mur, le comptoir et le matériau avoisinant selon le besoin.
- Appliquer un lit d'étanchéité à l'endroit où les carreaux rencontrent le rebord de la baignoire à hydromassage.
- Installer la garniture du robinet suivant les instructions emballées avec celle-ci.

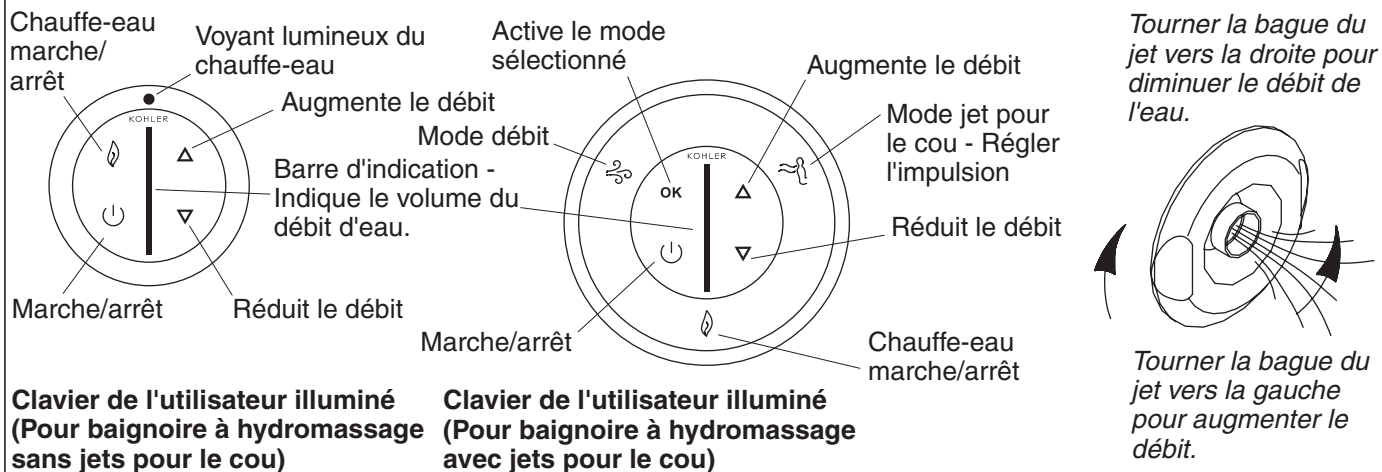
### 16. Nettoyage après installation

- Lors du nettoyage après installation, **ne pas utiliser de nettoyant abrasif**, car il pourrait rayer et abîmer la surface de la baignoire à hydromassage. Si nécessaire, nettoyer la surface de la baignoire à hydromassage avec un savon doux et de l'eau tiède ainsi que le clavier de l'utilisateur et la télécommande.



### **Nettoyage après installation (cont.)**

- Retirer les taches résistantes, peinture, ou goudron avec de l'essence de térébenthine ou un diluant pour peinture. **Ne pas laisser de nettoyants à base de distillats de pétrole rester en contact avec les surfaces de la baignoire à hydromassage pendant une longue période.** Retirer les résidus de plâtre en raclant au moyen d'un bord en bois. Ne pas utiliser de grattoirs en métal, une brosse en fer ou d'autres outils en métal. Utiliser des nettoyants en poudre sur un chiffon humide pour une action abrasive douce sur les résidus de plâtre.



## 17. Confirmer le bon fonctionnement

### Remplir la baignoire à hydromassage

**REMARQUE:** Veuillez lire avec attention ces étapes avant d'opérer la baignoire à hydromassage.

- Orienter les buses des jets vers le fond du bassin. Tourner les anneaux de garniture de jets entièrement dans le sens contraire des aiguilles d'une montre.
- Remplir la baignoire à hydromassage à au moins 2" (51 mm) au-dessus du jet le plus élevé.

**REMARQUE:** La température de la baignoire à hydromassage ne devrait pas excéder 104°F (40°C). Le chaque-éau s'arrêtera automatiquement si la température dépasse 104°F (40°C) et restera arrêté jusqu'à ce que l'eau refroidisse.

## 18. Séquence d'opération

### Modèles sans jets pour le cou

**REMARQUE:** Un chaque-éau intégré aide automatiquement à maintenir la température de l'eau constante quand la baignoire à hydromassage est en marche, tant que la température de l'eau ne dépasse 104°F (40°C). Le chaque-éau s'arrêtera aux températures plus hautes.

**IMPORTANT!** Veuillez s'il vous plaît vous référer au guide du propriétaire pour de plus amples informations concernant l'utilisation du clavier et la télécommande.

- Presser le bouton marche/arrêt pour activer la baignoire à hydromassage. La baignoire à hydromassage commencera à opérer avec un débit moyen.
- Augmenter ou diminuer le débit de l'eau en pressant sur les flèches haut et bas du clavier. Une barre d'indication située au centre du clavier indique le volume du débit d'eau.
- Ajuster chaque jet pour un mélange optimal d'eau et d'air. Pivoter l'anneau vers la droite pour réduire le débit d'air, ou vers la gauche pour l'augmenter.
- Presser sur l'icône du chaque-éau pour l'arrêter ou le redémarrer. Lorsqu'allumé, le voyant lumineux indique que la température d'eau sera maintenue jusqu'à 104°F (40°C).
- Appuyer sur le bouton marche/arrêt une deuxième fois, pour arrêter la baignoire à hydromassage.

**REMARQUE:** Une minuterie intégrée arrête automatiquement la pompe et le moteur après environ 20 minutes d'opération.

### Modèles avec jets pour le cou

## Séquence d'opération (cont.)

**REMARQUE:** Un chauffe-eau intégré aide automatiquement à maintenir la température de l'eau constante quand la baignoire à hydromassage est en marche, tant que la température de l'eau ne dépasse 104°F (40°C). Le chauffe-eau s'arrêtera aux températures plus hautes.

**IMPORTANT!** Veuillez s'il vous plaît vous référer au guide du propriétaire pour de plus amples informations concernant l'utilisation du clavier et la télécommande.

- Appuyer sur le bouton de marche pour démarrer la baignoire à hydromassage La baignoire à hydromassage commencera à opérer avec un débit moyen.
- Augmenter ou diminuer le débit de l'eau en pressant sur les flèches haut et bas du clavier. Une barre d'indication située au centre du clavier indique le volume du débit d'eau.
- Ajuster chaque jet pour un mélange optimal d'eau et d'air. Pivoter l'anneau vers la droite pour réduire le débit d'air, ou vers la gauche pour l'augmenter.
- S'assurer que la housse soit bien placée sur l'oreiller et que celui-ci soit attaché sur le corps du jet pour le cou.
- La baignoire à hydromassage en marche, tourner la bague extérieure du jet d'eau pour le cou jusqu'à ce que son icône sur le clavier clignote. Appuyer sur "OK" pour activer les jets pour le cou. Les pulsations des jets pour le cou commenceront à une vitesse moyenne.
- Augmenter ou diminuer le débit d'eau en pressant sur les flèches haut et bas du clavier.
- Pour activer ou désactiver les différents modes quand les jets pour le cou sont en fonction, tourner la bague extérieure jusqu'à ce que le voyant désiré clignote, puis appuyer sur "OK". (Exemple: Pour arrêter le chauffe-eau, tourner le cadran jusqu'à ce que le voyant du chauffe-eau clignote et appuyer sur "OK").
- Appuyer sur "OK" quand le mode jets pour le cou est activé pour les arrêter.
- Appuyer sur le bouton marche/arrêt une deuxième fois, pour arrêter la baignoire à hydromassage.

**REMARQUE:** Une minuterie intégrée arrête automatiquement la pompe et le moteur après environ 20 minutes d'opération.

## 19. Procédures de dépannage

Ce guide de dépannage est seulement destiné à une aide générale. Seul un technicien agréé Kohler ou un électricien qualifié devraient réparer tous les problèmes électriques. Pour une réparation sous garantie, s'adresser au concessionnaire ou au distributeur en gros.

### Dépannage du système de la baignoire à hydromassage

Symptômes	Causes probables	Action recommandée
1. Le clavier ne s'illumine pas quand le bouton est pressé ou quand la bague extérieure est tournée.	<p>A. Pas d'alimentation à la commande.</p> <p>B. Les disjoncteurs GFCI ou RCD se déclenchent.</p> <p>C. Le faisceau de câblage du clavier utilisateur à la commande est desserré, débranché ou endommagé.</p> <p>D. Le clavier utilisateur ne fonctionne pas.</p> <p>E. La commande ne fonctionne pas.</p>	<p>A. Vérifier le câblage et connecter l'alimentation électrique.</p> <p>B. Réinitialiser le GFCI ou le RCD.</p> <p>C. Inspecter le câblage et vérifier que les connexions sont adéquates. Remplacer le harnais du câblage si nécessaire.</p> <p>D. Remplacer le clavier.</p> <p>E. Remplacer la commande.</p>
2. Le moteur démarre, mais tous les jets ne fonctionnent pas.	<p>A. Le jet est fermé.</p>	<p>A. Tourner la bague du jet vers la gauche pour ouvrir.</p>

**Procédures de dépannage (cont.)**

Symptômes	Causes probables	Action recommandée
	<p><b>B.</b> Le jet n'est pas installé correctement.</p> <p><b>C.</b> Les jets sont bloqués.</p>	<p><b>B.</b> Réinstaller le jet; s'assurer que le joint torique ne soit pas endommagé.</p> <p><b>C.</b> Retirer le blocage.</p>
<p><b>3.</b> Le clavier est illuminé, mais il ne répond pas aux boutons ou à la bague extérieure.</p>	<p><b>A.</b> Le programme de commande est verrouillé.</p> <p><b>B.</b> Le faisceau de câblage du clavier utilisateur à la commande est desserré, débranché ou endommagé.</p> <p><b>C.</b> Le clavier utilisateur ne fonctionne pas.</p> <p><b>D.</b> La commande ne fonctionne pas.</p>	<p><b>A.</b> Réinitialiser le GFCI ou le RCD.</p> <p><b>B.</b> Inspecter le câblage et vérifier que les connexions sont adéquates. Remplacer le harnais du câblage si nécessaire.</p> <p><b>C.</b> Remplacer le clavier.</p> <p><b>D.</b> Remplacer la commande.</p>
<p><b>4.</b> La barre d'indication du clavier continue le balayage au démarrage.</p>	<p><b>A.</b> Le programme de commande est verrouillé.</p> <p><b>B.</b> Le faisceau de câblage du clavier utilisateur à la commande est desserré, débranché ou endommagé.</p> <p><b>C.</b> Le clavier utilisateur ne fonctionne pas.</p> <p><b>D.</b> La commande ne fonctionne pas.</p>	<p><b>A.</b> Réinitialiser le GFCI ou le RCD.</p> <p><b>B.</b> Inspecter le câblage et vérifier que les connexions sont adéquates. Remplacer le harnais du câblage si nécessaire.</p> <p><b>C.</b> Remplacer le clavier.</p> <p><b>D.</b> Remplacer la commande.</p>
<p><b>5.</b> Le clavier est illuminé, mais la pompe de démarre pas.</p>	<p><b>A.</b> Le câble de la pompe est desserré, déconnecté ou endommagé.</p> <p><b>B.</b> Le pompe ne fonctionne pas.</p> <p><b>C.</b> La commande ne fonctionne pas.</p>	<p><b>A.</b> Inspecter le câblage et vérifier que les connexions sont adéquates.</p> <p><b>B.</b> Remplacer la pompe.</p> <p><b>C.</b> Remplacer la commande.</p>
<p><b>6.</b> Le moteur fonctionne mais la pompe ne pompe pas (pompe cavitante).</p>	<p><b>A.</b> La pompe est trop élevée.</p> <p><b>B.</b> Petite fuite d'air à l'entrée de la pompe.</p> <p><b>C.</b> Le moteur/pompe ne fonctionne pas.</p> <p><b>D.</b> La commande ne fonctionne pas.</p>	<p><b>A.</b> Baisser la pompe/contrôle au niveau du plancher.</p> <p><b>B.</b> Serrer soigneusement le(s) écrou(s) des tuyaux de l'admission de la pompe.</p> <p><b>C.</b> Remplacer le moteur/la pompe.</p> <p><b>D.</b> Remplacer la commande.</p>
<p><b>7.</b> La pompe s'arrête automatiquement avant 18 minutes.</p>	<p><b>A.</b> Les disjoncteurs GFCI ou RCD se déclenchent.</p> <p><b>B.</b> L'aspiration est bloquée.</p> <p><b>C.</b> Les jets sont bloqués.</p> <p><b>D.</b> Moteur surchauffé et système de protection activé.</p>	<p><b>A.</b> Identifier la source du problème, puis y remédier. Réinitialiser le GFCI ou le RCD.</p> <p><b>B.</b> Retirer l'obstruction.</p> <p><b>C.</b> Retirer le blocage.</p> <p><b>D.</b> Vérifier s'il y a un blocage à l'aspiration et/ou aux jets. Éliminer l'obstruction et laisser le moteur se refroidir.</p>
<p><b>8.</b> La pompe ne s'arrête pas automatiquement après 22 minutes.</p>	<p><b>A.</b> La minuterie de 20 minutes est désactivée par inadvertance.</p>	<p><b>A.</b> Consulter le manuel de service.</p>

<b>Procédures de dépannage (cont.)</b>		
<b>Symptômes</b>	<b>Causes probables</b>	<b>Action recommandée</b>
9. La pompe ne s'arrête pas quand le bouton de marche du clavier est pressé.	A. Le clavier utilisateur ne fonctionne pas.  B. La commande ne fonctionne pas.	A. Remplacer le clavier.  B. Remplacer la commande.
10. La pompe fonctionne, mais la fonction de vitesse variable ne fonctionne pas.	A. Le moteur/pompe ne fonctionne pas.  B. La commande ne fonctionne pas.	A. Remplacer le moteur/la pompe.  B. Remplacer la commande.
11. L'eau de la baignoire se refroidit pendant l'opération de la pompe.	A. Température de l'eau au-dessus de 104 °F (40 °C).  B. Le chauffe-eau est arrêté par le clavier.  C. Le câblage du chauffe-eau est desserré, débranché ou endommagé.  D. Le chauffe-eau ne fonctionne pas.  E. La commande ne fonctionne pas.	A. Laisser l'eau du bain refroidir.  B. Mettre le chauffe-eau en marche.  C. Inspecter le câblage et vérifier que les connexions sont adéquates.  D. Remplacer le chauffe-eau.  E. Remplacer la commande.
12. Fonctionnement bruyant.	A. Les sangles de retenue de la pompe n'ont pas été coupées.  B. Joint torique sec ou délogé (crissement).	A. Couper les sangles de retenue avec des cisailles de ferblantier.  B. Retirer le jet, remplacer et lubrifier le joint torique, et réinstaller le jet.
13. La télécommande (si équipé) ne fonctionne pas.	A. Les piles sont mal installées ou épuisées.  B. L'antenne du câblage électrique est endommagée.  C. La télécommande n'est pas correctement programmée.  D. La télécommande ne fonctionne pas.  E. La commande ne fonctionne pas.	A. Remplacer les piles.  B. Remplacer le faisceau de câblage.  C. Consulter le guide du propriétaire ou le manuel d'entretien.  D. Remplacer la télécommande.  E. Remplacer la commande.
<b>Tableau de Dépannage du système de jets pour le cou</b>		
<b>Symptômes</b>	<b>Causes probables</b>	<b>Action recommandée</b>
14. Le clavier ne répond pas quand le mode jets pour le cou est sélectionné.	A. Le clavier utilisateur ne fonctionne pas.	A. Remplacer le clavier.
15. La pompe fonctionne mais les jets pour le cou ne fonctionnent pas. La barre indicatrice du clavier clignote.	A. Le coussin n'est pas installé.  B. L'interrupteur bilame ne fonctionne pas.  C. Le câblage du jet pour le cou est desserré, débranché ou cassé.	A. S'assurer que le coussin soit bien attaché au jet pour le cou.  B. Vérifier le câblage l'interrupteur bilame et remplacer si nécessaire.  C. Inspecter le câblage et vérifier que les connexions sont adéquates. Remplacer le harnais du câblage si nécessaire.

**Procédures de dépannage (cont.)**

<b>Symptômes</b>	<b>Causes probables</b>	<b>Action recommandée</b>
<b>16.</b> La pompe fonctionne mais les jets pour le cou ne fonctionnent pas. La barre indicatrice du clavier NE clignote PAS.	<b>A.</b> Le conduit du jet pour le cou est bouché. <b>B.</b> Le câblage du jet pour le cou est desserré, débranché ou cassé. <b>C.</b> La valve papillon ne fonctionne pas. <b>D.</b> La commande ne fonctionne pas.	<b>A.</b> Déconnecter les conduits du jet pour le cou et déboucher. <b>B.</b> Inspecter le câblage et vérifier que les connexions sont adéquates. Remplacer le harnais du câblage si nécessaire. <b>C.</b> Remplacer la valve papillon. <b>D.</b> Remplacer la commande.
<b>17.</b> L'eau coule des jets pour le cou, mais pas d'impulsion.	<b>A.</b> Le câblage de harnais des jets pour le cou est desserré, débranché ou cassé. <b>B.</b> La cartouche d'impulsion ne fonctionne pas. <b>C.</b> La commande ne fonctionne pas.	<b>A.</b> Inspecter le câblage et vérifier que les connexions sont adéquates. Remplacer le harnais du câblage si nécessaire. <b>B.</b> Remplacer la cartouche d'impulsion. <b>C.</b> Remplacer la commande.

# Guía de instalación

## Bañera de hidromasaje de sobreponer

### Información importante



**ADVERTENCIA:** Al usar aparatos eléctricos, siga siempre las precauciones básicas, incluyendo las siguientes:



**PELIGRO: Riesgo de descarga eléctrica.** Conecte sólo a circuitos protegidos con un interruptor de circuito con pérdida a tierra (GFCI) o dispositivo de corriente residual (RCD).

El material de construcción y el cableado se deben colocar lejos del cuerpo de la bomba y de otros componentes que produzcan calor.

Instale la unidad de manera que se permita el acceso para darle servicio.

Instale la unidad conforme al Código Eléctrico Canadiense, Parte 1.

El compartimento de cables incluye un conector de presión que tiene inscrito "Earth/Ground". Para reducir el riesgo de descarga eléctrica, conecte este conector al terminal de tierra de su tablero eléctrico o panel de suministro eléctrico con un cable de cobre del mismo tamaño que los conductores del circuito que alimentan este equipo.

Esta unidad incluye conectores de presión en la parte exterior de la caja de empalmes o control para permitir la conexión de un conductor de conexión a tierra entre este producto y cualquier metal expuesto en las proximidades de la unidad, tal como lo requieren las normas locales.

**La conexión a tierra es un requisito.** Un representante de servicio autorizado debe instalar esta unidad y conectarla a tierra.



**ADVERTENCIA: Riesgo de descarga eléctrica.** Un electricista calificado debe realizar todas las conexiones eléctricas.



**ADVERTENCIA: Riesgo de descarga eléctrica.** Desconecte el suministro eléctrico antes de dar servicio.



**ADVERTENCIA: Riesgo de lesiones personales o daños a la propiedad.** Lea atentamente todas las instrucciones antes de comenzar la instalación, incluyendo los requisitos detallados a continuación.

**AVISO:** Cumpla con todos los códigos locales de electricidad y de plomería.

### Información sobre el producto

#### Requisitos eléctricos

La instalación debe contar con un interruptor de circuito con pérdida a tierra (GFCI) de Clase A o dispositivo de corriente residual (RCD). El GFCI o RCD protege contra el peligro de descarga eléctrica de línea a tierra. **Utilice un circuito dedicado de 220 - 240 V, 20 A, 50/60 Hz para la bañera de hidromasaje.**

#### Avisos sobre el producto



**ADVERTENCIA:** Las modificaciones no autorizadas pueden causar un funcionamiento peligroso y bajo rendimiento de la bañera de hidromasaje. No cambie la ubicación de la bomba de la bañera de hidromasaje, ni haga otras modificaciones en el sistema de hidromasaje, ya que esto podría tener un efecto adverso en el rendimiento y en el funcionamiento seguro de la bañera de hidromasaje. Kohler Co. no se hace responsable bajo esta garantía o de ninguna otra forma, de las lesiones

## Información sobre el producto (cont.)

personales o los daños provocados por modificaciones no autorizadas.

## Características

**Serie "-N1":** Los componentes incluyen una bomba, un calentador, un control, una llave de paso, jets para el cuello, una caja de pulsación e interruptores iluminados (teclado).

**Serie "-H2":** Los componentes incluyen una bomba, un calentador, un control e interruptores iluminados (teclado).

La bomba y las tuberías de la bañera de hidromasaje están montadas en fábrica.

## Acceso de servicio y a las conexiones

Antes de instalar, asegúrese de proveer el acceso adecuado a las conexiones finales.

**AVISO: Provea bastante acceso, sin restricciones, para dar servicio a la bomba.** Se debe proveer acceso para dar servicio a la bomba y los controles. El panel de acceso se debe ubicar justo al lado de la bomba. Consulte el diagrama de instalación incluido con la bañera de hidromasaje.

## Contenido

Información importante	1
Información sobre el producto	1
Requisitos eléctricos	1
Avisos sobre el producto	1
Características	2
Acceso de servicio y a las conexiones	2
Antes de comenzar	3
Herramientas y materiales	3
Prepare el sitio	4
Prepare el sitio	5
Prepare la bañera de hidromasaje	5
Instale la bañera de hidromasaje K-1168	6
Fije la bañera de hidromasaje al subpiso	7
Corte las cintas que sujetan la bomba	9
Instale la plomería	9
Instale la almohada opcional - Modelos sin jets para el cuello	9
Realice las conexiones eléctricas	10
Instale el kit de guarnición de la bañera de hidromasaje	12
Instale la almohada del jet para el cuello (sólo Serie "-N1")	12
Pruebe el funcionamiento de la bañera de hidromasaje	12
Instale el faldón opcional	14
Termine la cubierta/pared acabada	14
Termine la instalación de concreto	14
Limpieza después de la instalación	14
Confirme el funcionamiento correcto	15
Secuencia de funcionamiento	15
Procedimientos para resolver problemas	16



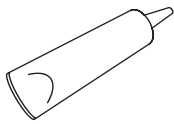
## Antes de comenzar

**AVISO:** No levante la bañera de hidromasaje por los tubos o la bomba, ni use los tubos o la bomba como soporte estructural de la bañera de hidromasaje. Para evitar daño a la bañera de hidromasaje, levántela por los lados.

**AVISO:** No apoye el peso de la bañera de hidromasaje en el perímetro del borde. Para evitar daño al producto, apoye la bañera de hidromasaje sobre la base o los pies.

- Recomendamos esta bañera de hidromasaje para una instalación de sobreponer o encajonada entre tres paredes.
- Verifique que la bañera de hidromasaje no esté dañada antes de iniciar la instalación.
- Es necesario instalar la bañera de hidromasaje en un subpiso nivelado y con suficiente soporte.
- Si va a utilizar un faldón opcional: construya el soporte adicional requerido e instale el faldón opcional antes de terminar el revestimiento del piso y las paredes. Consulte las instrucciones de instalación que se incluyen con el faldón.
- Verifique que haya suficiente soporte para la grifería de montaje en borde; las griferías grandes que puedan ser utilizadas inadvertidamente como medio de soporte no son apropiadas ni seguras para esta instalación.
- Kohler Co. se reserva el derecho de modificar el diseño de productos sin previo aviso, tal como se especifica en la lista de precios.

## Herramientas y materiales



Sellador de  
silicona



Cinta para medir



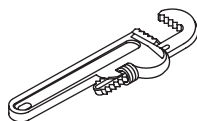
Lápiz



Nivel



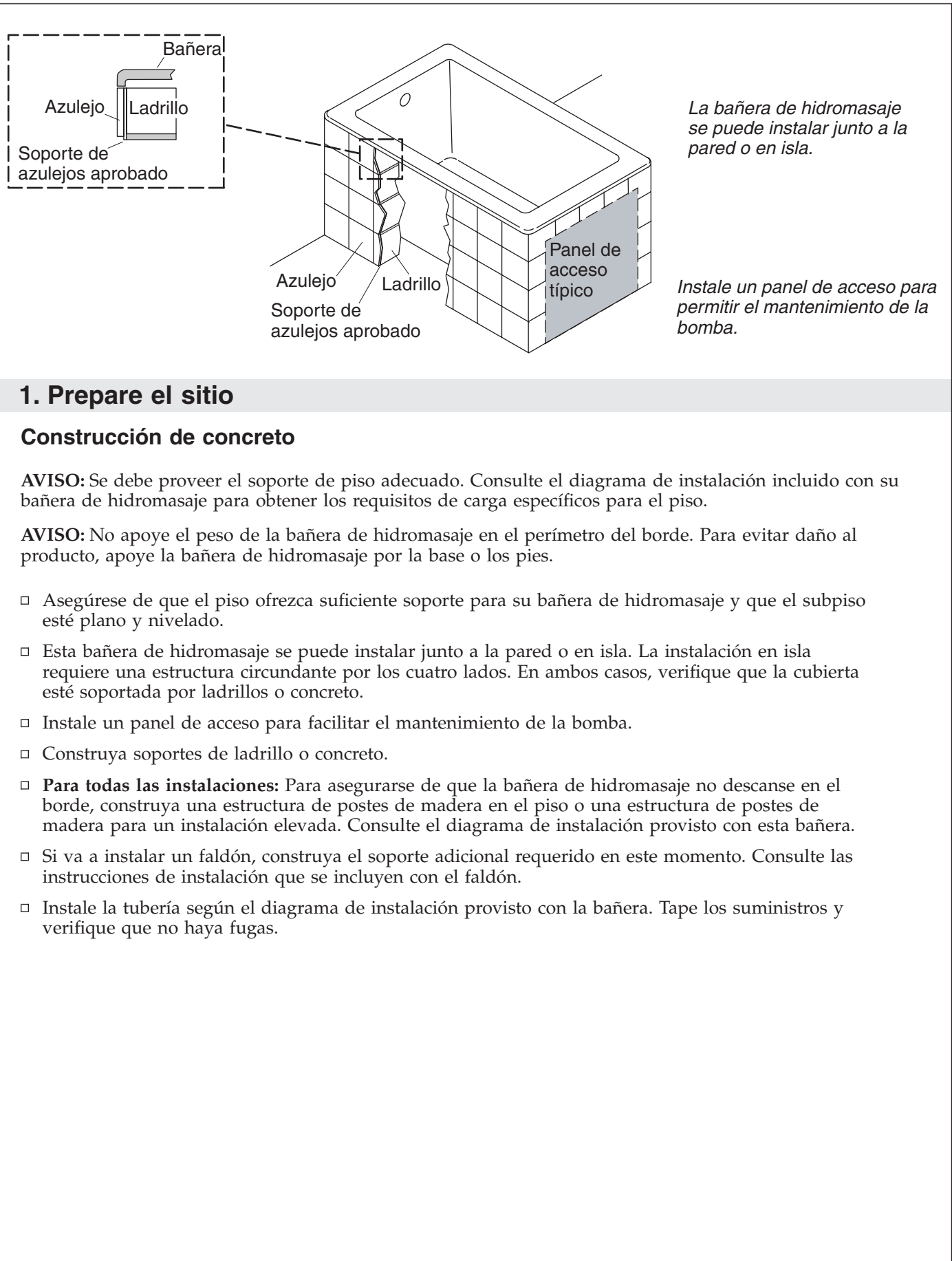
Lentes de  
seguridad



Llave para  
tubo

### Más:

- Herramientas y materiales convencionales para instalar la madera y el concreto
- Lona para el piso



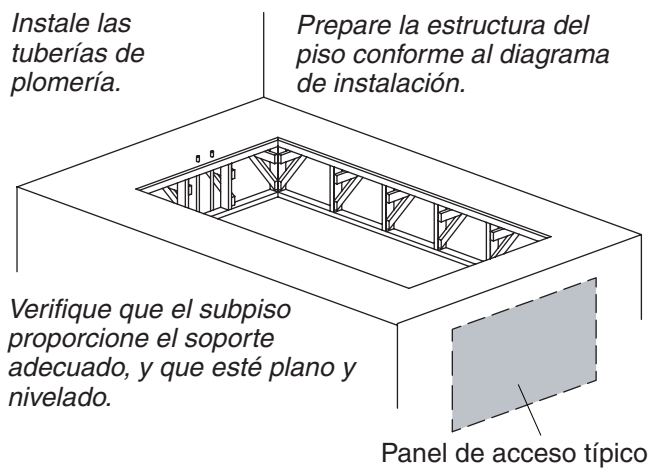
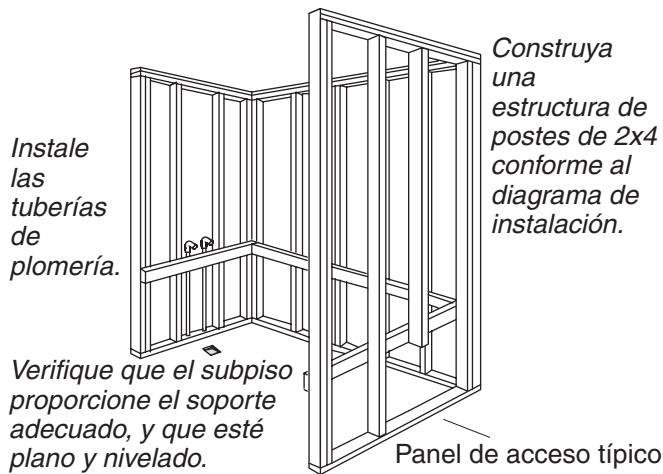
## 1. Prepare el sitio

### Construcción de concreto

**AVISO:** Se debe proveer el soporte de piso adecuado. Consulte el diagrama de instalación incluido con su bañera de hidromasaje para obtener los requisitos de carga específicos para el piso.

**AVISO:** No apoye el peso de la bañera de hidromasaje en el perímetro del borde. Para evitar daño al producto, apoye la bañera de hidromasaje por la base o los pies.

- Asegúrese de que el piso ofrezca suficiente soporte para su bañera de hidromasaje y que el subpiso esté plano y nivelado.
- Esta bañera de hidromasaje se puede instalar junto a la pared o en isla. La instalación en isla requiere una estructura circundante por los cuatro lados. En ambos casos, verifique que la cubierta esté soportada por ladrillos o concreto.
- Instale un panel de acceso para facilitar el mantenimiento de la bomba.
- Construya soportes de ladrillo o concreto.
- Para todas las instalaciones:** Para asegurarse de que la bañera de hidromasaje no descansa en el borde, construya una estructura de postes de madera en el piso o una estructura de postes de madera para una instalación elevada. Consulte el diagrama de instalación provisto con esta bañera.
- Si va a instalar un faldón, construya el soporte adicional requerido en este momento. Consulte las instrucciones de instalación que se incluyen con el faldón.
- Instale la tubería según el diagrama de instalación provisto con la bañera. Tape los suministros y verifique que no haya fugas.



## 2. Prepare el sitio

### Construcción de madera

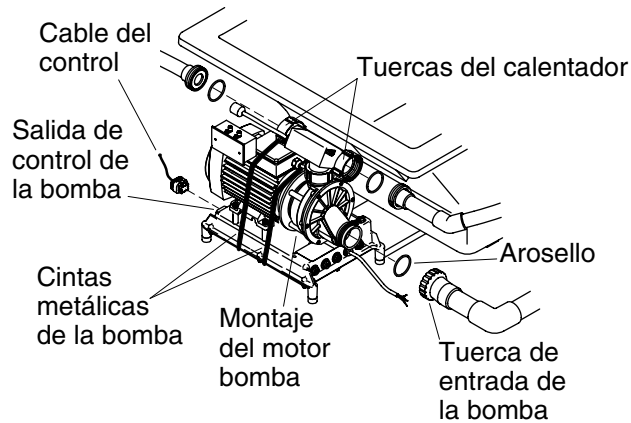
**AVISO:** Se debe proveer el soporte de piso adecuado. Consulte el diagrama de instalación incluido con su bañera de hidromasaje para obtener los requisitos de carga específicos para el piso.

**AVISO:** No apoye el peso de la bañera de hidromasaje en el perímetro del borde. Para evitar daño al producto, apoye la bañera de hidromasaje por la base o los pies.

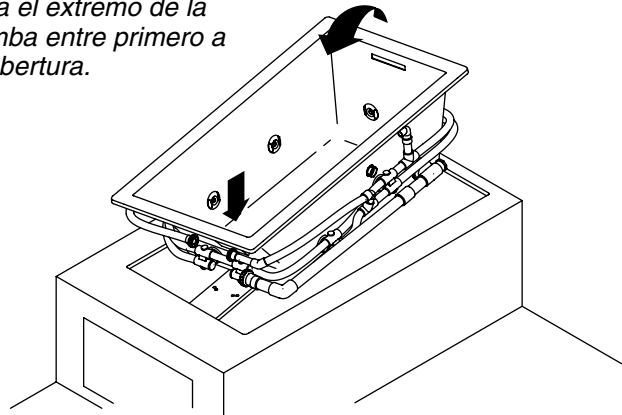
- Asegúrese de que el piso ofrezca suficiente soporte para su bañera de hidromasaje y que el subpiso esté plano y nivelado.
- Esta bañera de hidromasaje puede montarse en una instalación de sobreponer o encajonada entre tres paredes. Construya una estructura de postes de 2x4 para su instalación en particular. Construya la estructura del piso o construya una estructura para una instalación elevada, conforme a la información del diagrama de instalación provista con la bañera de hidromasaje.
- Utilice la información del diagrama de instalación para trazar la abertura y cortar con cuidado el material de la cubierta no acabada.
- Instale un panel de acceso para facilitar el mantenimiento de la bomba.
- **Para todas las instalaciones:** Para asegurarse de que la bañera de hidromasaje no descansa en el borde, construya una estructura de postes de madera en el piso o una estructura de postes de madera para una instalación elevada. Consulte el diagrama de instalación provisto con esta bañera.
- Si va a instalar un faldón, construya el soporte adicional requerido en este momento. Consulte las instrucciones de instalación que se incluyen con el faldón.
- Coloque las tuberías según el diagrama de instalación. Tape los suministros y verifique que no haya fugas.

## 3. Prepare la bañera de hidromasaje

- Recomendamos utilizar tiras selladoras en las bañeras de borde recto, si uno o más lados de la bañera de hidromasaje entran en contacto con la pared. Esta tira selladora impide que el agua se filtre entre la bañera de hidromasaje y la pared. Siga las instrucciones incluidas con la tira selladora para instalarla en este momento.
- Instale el desagüe en la bañera de hidromasaje según las instrucciones del fabricante del desagüe. Aún no conecte la trampa.
- Coloque una lona gruesa limpia o un material similar en el fondo de la bañera de hidromasaje. Tenga cuidado de no rayar la superficie de la bañera de hidromasaje.



*Incline la bañera de hidromasaje para el extremo de la bomba entre primero a la abertura.*



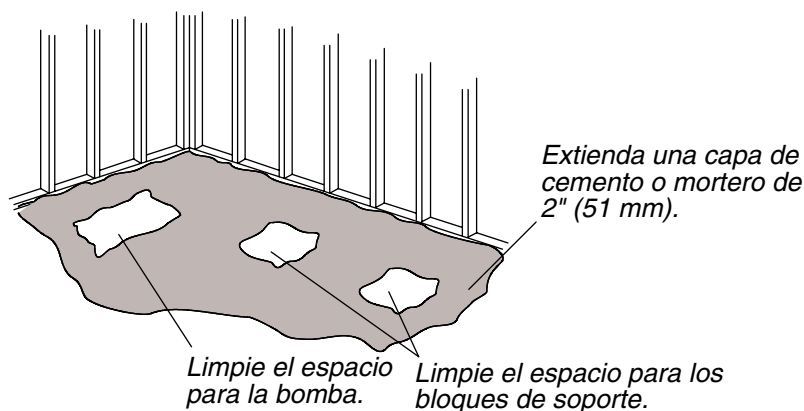
#### 4. Instale la bañera de hidromasaje K-1168

**AVISO:** Siga estos pasos requeridos para instalar la bañera de hidromasaje K-1168.

- Afloje completamente la tuerca de entrada de la bomba. Guarde el arosello si está suelto.
- Afloje completamente las dos tuercas del calentador. Guarde los arosellos si están sueltos.
- Corte y retire las dos cintas de la bomba.
- Desenchufe el cable de control del tomacorriente de control de la bomba.
- Levante el montaje de motor bomba y calentador fuera del área.

**AVISO:** No levante la bañera de hidromasaje por los tubos o la bomba, ni use los tubos o la bomba como soporte estructural de la bañera de hidromasaje. Para evitar daño a la bañera de hidromasaje, levántela por los lados.

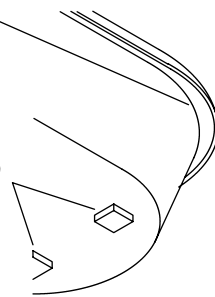
- Obtenga ayuda para colocar con cuidado la bañera de hidromasaje en la abertura de sobreponer. Incline la bañera de hidromasaje según sea necesario para el extremo de la bomba entre primero a la abertura.
- Fije la bañera de hidromasaje al subpiso como se describe en "Fije la bañera de hidromasaje al subpiso".
- Cambie la posición del montaje de motor bomba y calentador.
- Asegúrese de que los arosellos estén en su lugar y apriete a mano con seguridad las tuercas de la entrada de la bomba y el calentador.
- Enchufe el cable de control al tomacorriente de control de la bomba.



Aplique una tira de sellador de silicona alrededor de todo el borde

o

Aplique adhesivo de construcción en los bloques de soporte.



## 5. Fije la bañera de hidromasaje al subpiso

**AVISO:** No levante la bañera de hidromasaje por los tubos o la bomba, ni use los tubos o la bomba como soporte estructural de la bañera de hidromasaje. Para evitar daño a la bañera de hidromasaje, levántela por los lados.

- Elija la opción de instalación más apropiada para su instalación en particular. Siga las instrucciones correspondientes.
- Si el subpiso no está nivelado, acúñe los bloques de soporte de la bañera de hidromasaje según sea necesario.

### Opción que utiliza una capa de cemento o mortero

- Extienda una capa de 2" (51 mm) de espesor de cemento o mortero en el subpiso donde se instalará la bañera de hidromasaje. Esto ayudará a fijar, nivelar y dar soporte a la unidad. Limpie todo el material de los lugares donde se instalarán el control de la bomba y los bloques de soporte.

**NOTA:** No utilice cemento de yeso o pasta para paneles de yeso con esta aplicación, puesto que no proporcionarán una adherencia aceptable ni duradera.

**NOTA:** El control de la bomba (cuando las cintas estén cortadas) y los bloques de soporte deben descansar directamente en el subpiso.

- Coloque un pedazo de lona gruesa de plástico sobre el cemento o mortero. Obtenga ayuda para colocar con cuidado la bañera de hidromasaje en su lugar y verifique que el control de la bomba y los bloques de soporte no se apoyen sobre el material.
- Inserte el tubo final en la trampa. Asegúrese de que la bañera de hidromasaje esté nivelada y apoyada sobre todos los bloques de soporte.

### Opción que utiliza adhesivo de construcción

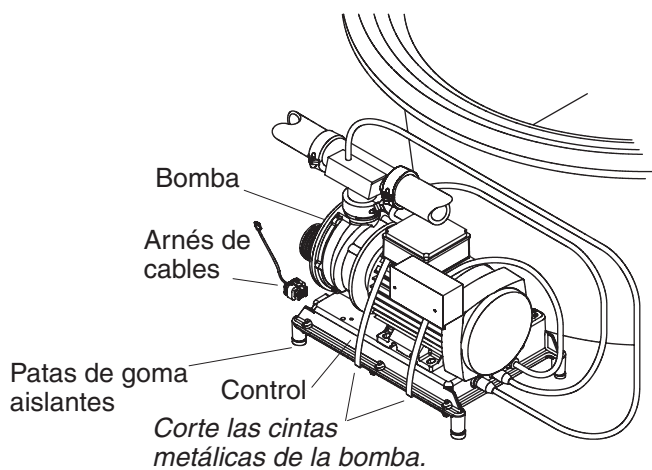
- Aplique una cantidad abundante de adhesivo de construcción de alta calidad en la parte inferior de los bloques de soporte. Obtenga ayuda para colocar con cuidado la bañera de hidromasaje en su lugar.
- Inserte el tubo final en la trampa. Asegúrese de que la bañera de hidromasaje esté nivelada y apoyada sobre todos los bloques de soporte.

### Opción que utiliza sellador de silicona

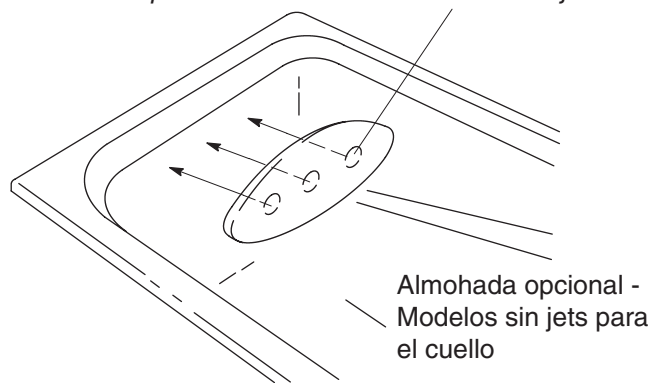
- Obtenga ayuda para colocar con cuidado la bañera de hidromasaje en su lugar.
- Inserte el tubo final en la trampa. Asegúrese de que la bañera de hidromasaje esté nivelada y apoyada sobre todos los bloques de soporte.

**Fije la bañera de hidromasaje al subpiso (cont.)**

- Aplique una tira continua de sellador de silicona de buena calidad alrededor de todo el borde de la bañera de hidromasaje.



Humedezca la parte de atrás de la almohada y presione las ventosas con fuerza contra la superficie de la bañera de hidromasaje.



## 6. Corte las cintas que sujetan la bomba

¡IMPORTANTE! Este paso es necesario para que su bañera de hidromasaje KOHLER funcione más silenciosamente.

- Utilice unas tijeras para chapa para cortar las dos cintas de la bomba en la bañera de hidromasaje.

**NOTA:** No levante la bomba a mayor altura de la que tenía antes de cortar las cintas. Si la bomba está demasiado alta, no cebará correctamente. Asegúrese de que las patas aislantes de goma estén en su lugar.

- Para minimizar el ruido y la vibración de la bañera de hidromasaje, asegúrese de que la bomba no esté en contacto directo con el soporte de transporte una vez cortadas las cintas. El control de la bomba contiene patas de goma aislantes para reducir el ruido de la bomba.

## 7. Instale la plomería



**PRECAUCIÓN: Riesgo de daños a la propiedad.** Asegúrese de que haya un sellado impermeable en el desagüe de la bañera de hidromasaje.

- Conecte el desagüe a la trampa según las instrucciones del fabricante del desagüe.

**AVISO:** Un panel de acceso facilitará el mantenimiento futuro.

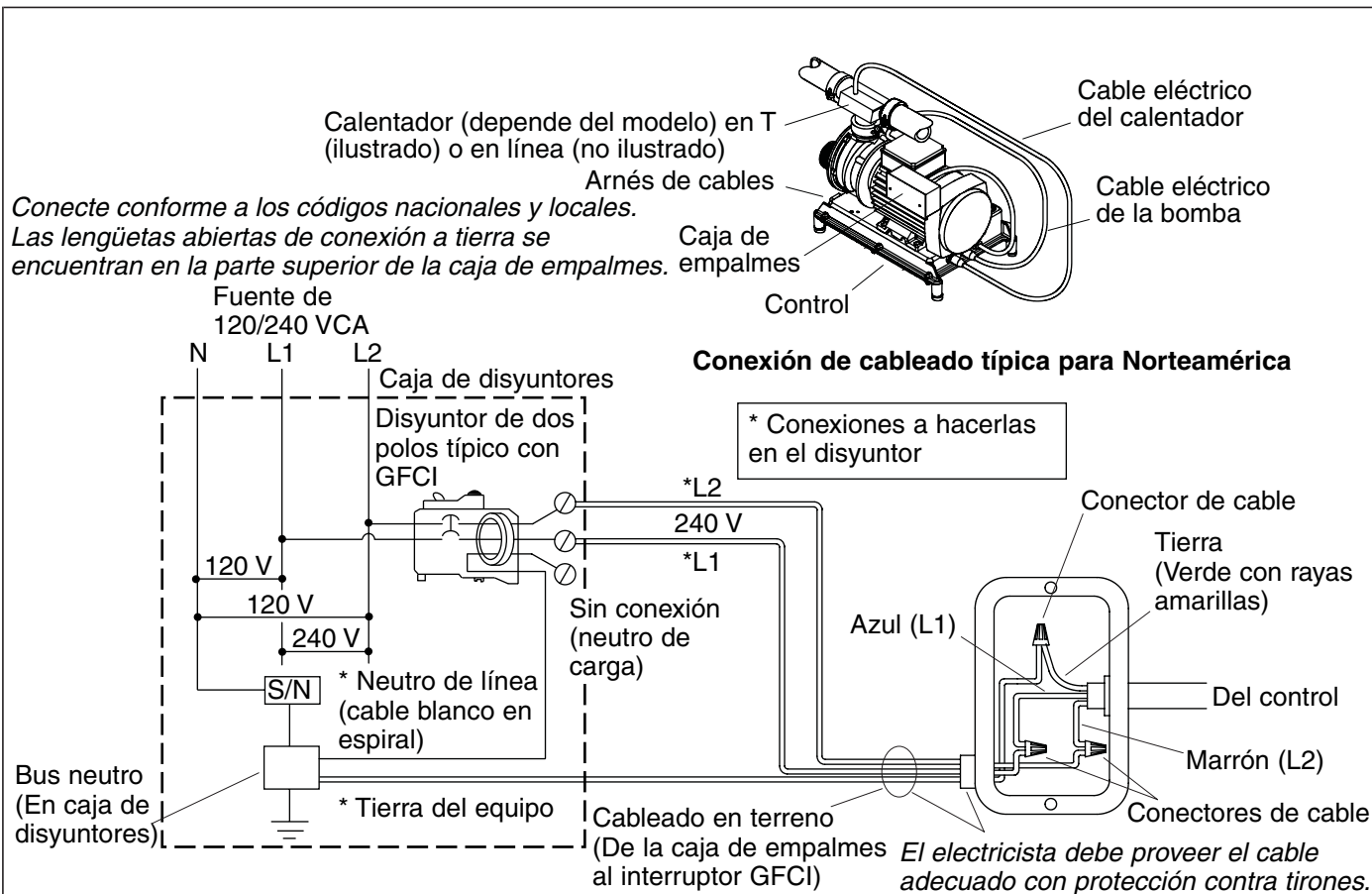
- Instale las válvulas de la grifería según las instrucciones del fabricante de la grifería. No instale la guarnición de la grifería hasta que se le indique. Abra los suministros del agua caliente y fría, y compruebe que no haya fugas en las conexiones de suministro.
- Haga que el agua circule en la bañera de hidromasaje y compruebe que no haya fugas en las conexiones del desagüe.
- Si se requiere, instale las agarraderas. Consulte las instrucciones de instalación que se incluyen con las agarraderas.

## 8. Instale la almohada opcional - Modelos sin jets para el cuello



**PRECAUCIÓN: Riesgo de daños a la propiedad.** No sumerja la almohada en el agua, ni la utilice como asiento.

- Limpie los restos de jabón y aceite de la superficie de la bañera de hidromasaje. Las ventosas se encuentran en el lado posterior de la almohada. Humedezca las ventosas de la almohada en el lado posterior de la almohada y coloque la almohada en el lugar indicado de la bañera de hidromasaje. Presione con fuerza sobre las ventosas con la palma de la mano.
- Levante la almohada para retirarla de la superficie de la bañera de hidromasaje.



## 9. Realice las conexiones eléctricas

**NOTA:** El número de modelo está impreso en una etiqueta ubicada del lado de la bomba de la bañera de hidromasaje. Esta etiqueta identifica la capacidad nominal eléctrica del producto. **Todas las bañeras de hidromasaje están equipadas con una caja de empalmes y están diseñadas para funcionar entre 220 V y 240 V a 50 Hz o 60 Hz.**



**ADVERTENCIA: Riesgo de descarga eléctrica.** Asegúrese de desconectar la corriente eléctrica antes de realizar el siguiente procedimiento. Consulte la sección "Información importante".



**ADVERTENCIA: Riesgo de descarga eléctrica.** Para reducir el riesgo de descarga eléctrica, conecte la bomba a interruptor de circuito con pérdida a tierra (GFCI) o un dispositivo de corriente residual (RCD). Esto servirá de protección adicional contra el peligro de descarga eléctrica de línea a tierra. Se requiere un circuito dedicado de 220-240 V, 20 A, 50/60 Hz.

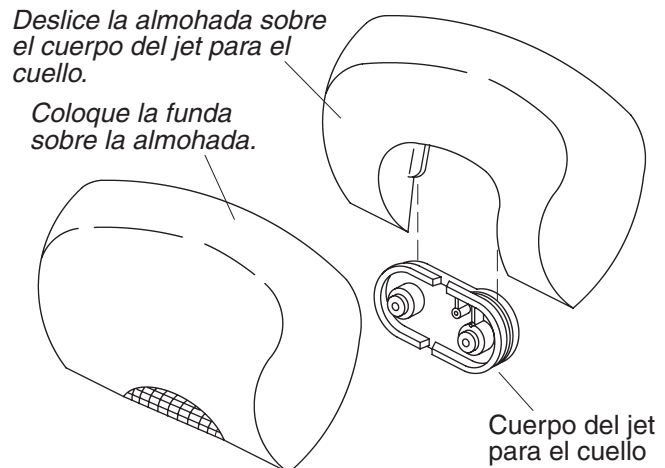
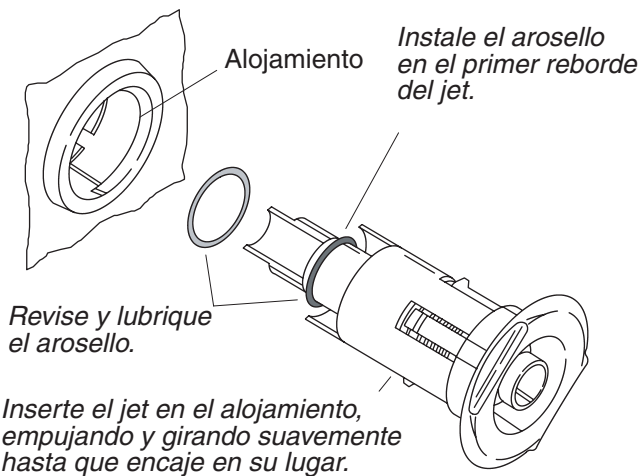
**¡IMPORTANTE!** El **neutro de carga** no se usa. No debe haber conexión al terminal **neutro de carga** del interruptor de circuito con pérdida a tierra (GFCI) de Clase A. El cable verde con raya amarilla es la **tierra del equipo** y es necesario conectarlo al bus neutro de la caja principal de circuitos eléctricos.

- El cableado del sistema y el control de la bañera de hidromasaje se ha realizado en la fábrica. Un electricista calificado debe realizar las conexiones eléctricas de la caja de empalmes.
- Conecte el cable de servicio eléctrico a la caja de empalmes. La caja de empalmes tiene cables de color azul, marrón y verde con una raya amarilla.
- Cumpla con todos los códigos eléctricos locales. Conecte conforme a los códigos nacionales y locales.
- El cableado del arnés de cables se ha realizado en la fábrica, permitiendo la comunicación entre el teclado, todas las funciones y el control. No es necesario realizar ningún cableado adicional, pero asegúrese de que todos los cables se hayan afianzado bien.



**Realice las conexiones eléctricas (cont.)**

**NOTA:** El arnés de cables incluye una antena para el control remoto opcional. No modifique ni dañe la antena durante la instalación.



## 10. Instale el kit de guarnición de la bañera de hidromasaje

- Instale el kit de guarnición de la bañera de hidromasaje según las instrucciones incluidas con el mismo. Siga atentamente los pasos de instalación de los jets que se presenta a continuación - pues los mismos contienen información importante para obtener un funcionamiento libre de problemas.

**NOTA:** El arosello (O-ring) del jet debe estar correctamente colocado, lubricado y en buenas condiciones para que el jet pueda girar fácilmente y funcione bien.

- Instale el arosello (O-ring) en el **primer reborde** del jet. Lubrique el arosello (O-ring) con lubricante de silicona para evitar que el jet haga ruido.
- Inserte con cuidado el jet en el alojamiento, empuje levemente y gire el jet hasta que encaje en su lugar. **No fuerce el jet.**

**NOTA:** Cuando está instalado correctamente, el jet gira sin problemas en ambos sentidos.

## 11. Instale la almohada del jet para el cuello (sólo Serie "-N1")

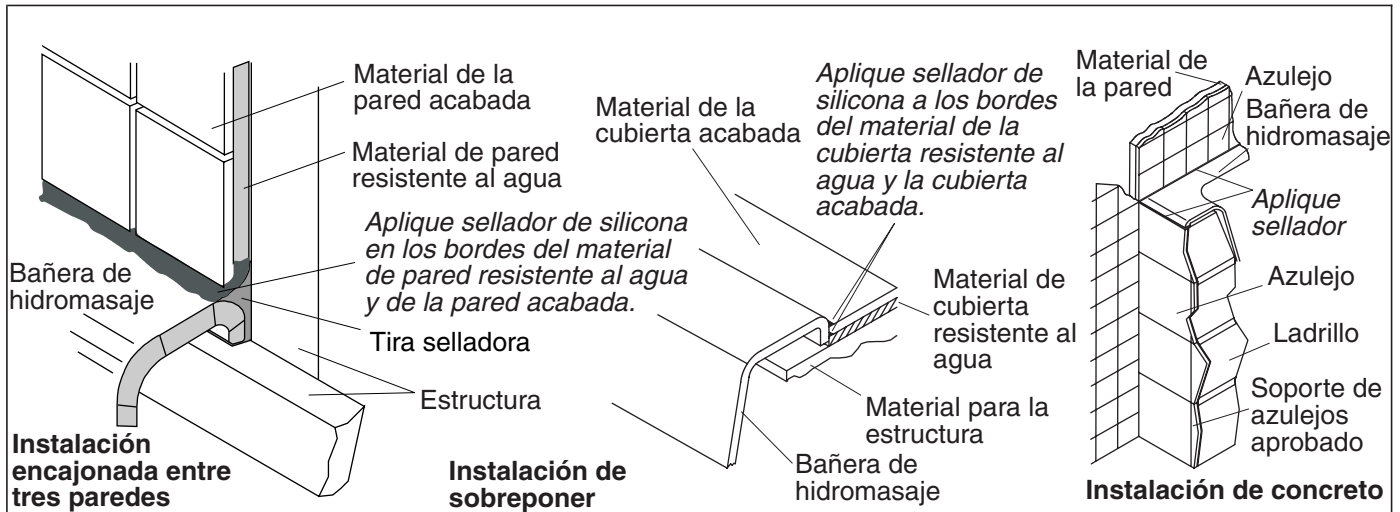
- La bañera de hidromasaje incluye una almohada y dos fundas. La almohada incluye un interruptor de láminas magnético integrado. Los jets para el cuello no funcionarán si la almohada no está instalada. La funda debe emplearse para evitar que el agua salpique fuera de la bañera de hidromasaje.
- Elija una funda y colóquela sobre la almohada.
- Deslice con cuidado la almohada sobre las ranuras de los jets para el cuello hasta que esté fija. A partir de este momento se podrán utilizar los jets para el cuello.
- Recomendamos que limpie periódicamente la funda de la almohada. Siga las instrucciones de limpieza en la etiqueta de la funda.

## 12. Pruebe el funcionamiento de la bañera de hidromasaje

- Revise todas las conexiones eléctricas y asegúrese de que la bañera de hidromasaje esté conectada a la alimentación eléctrica.
- Asegúrese de que todas las conexiones de unión de la bomba y el calentador estén bien apretadas a mano.
- Verifique que las cintas estén cortadas y que el control de la bomba descansa directamente sobre el subpiso. Asegúrese de que las patas aislantes de goma estén colocadas en su lugar.
- Llene la bañera de hidromasaje a un nivel por lo menos 2" (51 mm) arriba de la parte superior del jet más alto.

### **Pruebe el funcionamiento de la bañera de hidromasaje (cont.)**

- Haga funcionar la bañera de hidromasaje durante 5 minutos (consulte la sección "Secuencia de funcionamiento") y revise que no haya fugas en las conexiones de la tubería de el lado posterior de la bañera de hidromasaje.
- Encienda cada una de las funciones de la bañera de hidromasaje para verificar que funcione correctamente. Verifique que no haya fugas en el lado posterior de la bañera de hidromasaje.
- Para obtener información adicional acerca del funcionamiento de la bañera de hidromasaje, consulte la sección "Confirme el funcionamiento correcto".



### 13. Instale el faldón opcional

- Para instalar el faldón opcional, consulte las instrucciones de instalación incluidos con el mismo. Instale el faldón antes de terminar el revestimiento del piso y de las paredes.

### 14. Termine la cubierta/pared acabada

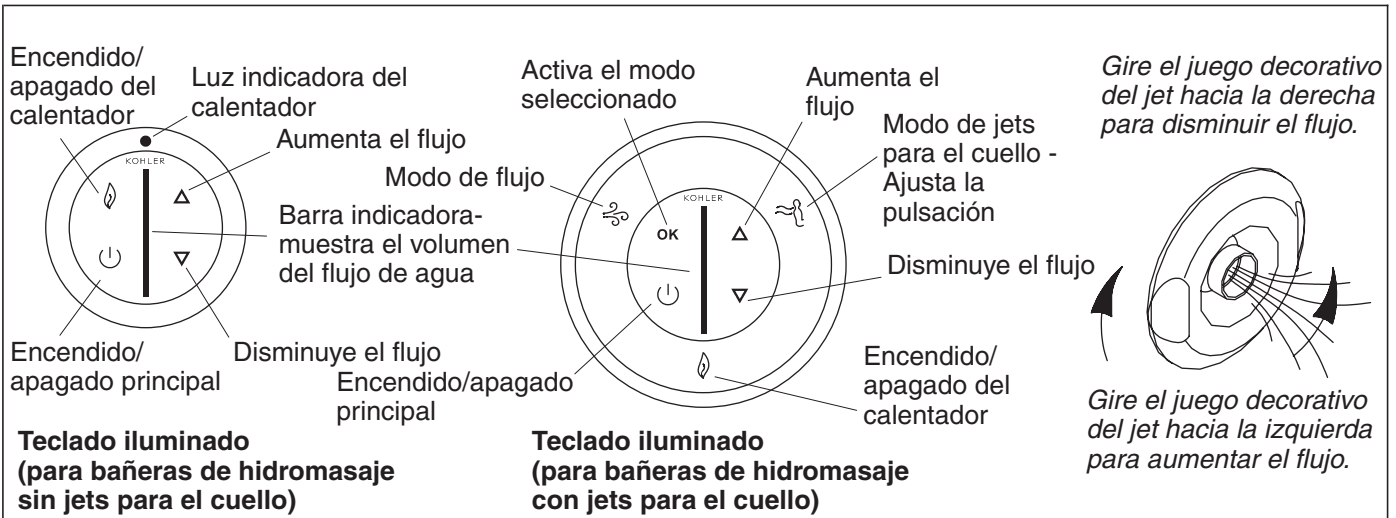
- Retire con cuidado la cinta protectora del borde de la bañera de hidromasaje, si aún no lo ha hecho.
- Cubra la estructura con un material de cubierta/pared resistente al agua. Selle las juntas entre el filo del borde de la bañera de hidromasaje y el material resistente al agua de la pared/cubierta con sellador de silicona.
- Adhiera el material resistente al agua a la pared o cubierta con cinta y yeso. Instale la pared acabada/cubierta con el material resistente al agua para la pared/cubierta. Selle las juntas entre el borde de la bañera de hidromasaje y la pared acabada/cubierta utilizando sellador de silicona.
- Instale la guarnición de la grifería conforme a las instrucciones incluidas con la guarnición.

### 15. Termine la instalación de concreto

- Retire con cuidado la cinta protectora del borde de la bañera de hidromasaje, si aún no lo ha hecho.
- Aplique cemento de construcción y adhiera los azulejos a la pared, cubierta y al material circundante según sea necesario.
- Aplique una tira de sellador en los lugares donde el azulejo entre en contacto con la superficie de la bañera de hidromasaje.
- Instale la guarnición de la grifería conforme a las instrucciones incluidas con la guarnición.

### 16. Limpieza después de la instalación

- Al limpiar después de la instalación, **no utilice productos de limpieza abrasivos**, pues pueden rayar y opacar la superficie de la bañera de hidromasaje. De ser necesario, utilice agua tibia y un detergente líquido para limpiar la superficie de la bañera de hidromasaje, el teclado y el control remoto.
- Limpie las manchas difíciles de quitar, la pintura y el alquitrán con aguarrás o diluyente de pintura. **No permita que los productos de limpieza que contengan destilados de petróleo permanezcan en contacto con la superficie de la bañera de hidromasaje por periodos prolongados.** El yeso se puede eliminar raspando con un canto de madera. No utilice raspadores de metal, cepillos de alambre ni otras herramientas metálicas. Se puede utilizar un detergente en polvo con un trapo húmedo para proporcionar una acción abrasiva suave en los residuos de yeso.



## 17. Confirme el funcionamiento correcto

### Llene la bañera de hidromasaje

**NOTA:** Por favor, lea atentamente estos pasos antes de activar la bañera de hidromasaje.

- Coloque las boquillas de los jets de manera que miren hacia abajo en la bañera. Gire los anillos decorativos de los jets totalmente hacia la izquierda.
- **Llene la bañera de hidromasaje hasta un nivel de agua por lo menos 2" (51 mm) arriba de la parte superior del jet más alto.**

**NOTA:** La temperatura del agua en la bañera de hidromasaje no debe exceder de 104°F (40°C). El calentador se apagará automáticamente conforme la temperatura del agua alcance los 104°F (40°C) y permanecerá apagado hasta que el agua se enfríe.

## 18. Secuencia de funcionamiento

### Modelos sin jets para el cuello

**NOTA:** El calentador integrado ayuda automáticamente a mantener la temperatura del agua mientras la bañera esté en marcha, siempre y cuando la temperatura no sobrepase los 104°F (40°C). El calentador se apagará a temperaturas superiores.

**¡IMPORTANTE!** Consulte la Guía del usuario para obtener las instrucciones detalladas del teclado y del control remoto opcional.

- Oprima el icono de encendido/apagado principal para encender la bañera de hidromasaje. La bañera de hidromasaje comenzará a funcionar con un flujo medio.
- En el teclado, oprima los botones de flecha hacia arriba o hacia abajo para aumentar o disminuir el flujo de agua. La barra indicadora en el centro del teclado muestra el caudal del flujo de agua.
- Ajuste cada jet para obtener una mezcla óptima de aire/agua. Gire la guarnición del jet hacia la derecha para reducir el flujo de aire, y hacia la izquierda para aumentarlo.
- Oprima el icono del calentador para apagarlo y volver a encenderlo. Cuando está iluminada, la luz indicadora muestra que la temperatura del agua se va a mantener hasta 104°F (40°C).
- Vuelva a oprimir el botón de encendido/apagado principal por segunda vez para apagar la bañera de hidromasaje.

**NOTA:** El temporizador integrado apaga automáticamente el motor y la bomba después de aproximadamente 20 minutos de funcionamiento.

### Modelos con jets para el cuello

## Secuencia de funcionamiento (cont.)

**NOTA:** El calentador integrado ayuda automáticamente a mantener la temperatura del agua mientras la bañera esté en marcha, siempre y cuando la temperatura no sobrepase los 104°F (40°C). El calentador se apagará a temperaturas superiores.

**¡IMPORTANTE!** Consulte la Guía del usuario para obtener las instrucciones detalladas del teclado y control remoto.

- Oprima el botón de encendido/apagado principal para encender la bañera de hidromasaje. La bañera de hidromasaje comenzará a funcionar con un flujo medio.
- En el teclado, oprima los botones de flecha hacia arriba o hacia abajo para aumentar o disminuir el flujo de agua. La barra indicadora en el centro del teclado muestra el caudal del flujo de agua.
- Ajuste cada jet para obtener una mezcla óptima de aire/agua. Gire la guarnición del jet hacia la derecha para reducir el flujo de aire, y hacia la izquierda para aumentarlo.
- Verifique que la funda esté bien colocada en la almohada y que la almohada esté bien sujeta al cuerpo del jet para el cuello.
- Con la bañera de hidromasaje en funcionamiento, gire el anillo externo hasta que el icono de jets para el cuello parpadee. Oprima el botón "OK" para activar los jets para el cuello. La acción de pulsación de los jets para el cuello comenzará a velocidad media.
- Oprima las flechas hacia arriba o hacia abajo del teclado para aumentar o disminuir la acción de pulsación de los jets para el cuello.
- Para activar o desactivar los distintos modos cuando los jets para el cuello estén en marcha, gire el anillo externo hasta que el modo deseado parpadee y pulse "OK". (Por ejemplo: Para apagar el calentador, gire el disco hasta que el icono del calentador parpadee, luego oprima "OK").
- Oprima "OK" cuando el modo de los jets para el cuello esté parpadeando para así apagarlo.
- Vuelva a oprimir el botón de encendido/apagado principal por segunda vez para apagar la bañera de hidromasaje.

**NOTA:** El temporizador integrado apaga automáticamente el motor y la bomba después de aproximadamente 20 minutos de funcionamiento.

## 19. Procedimientos para resolver problemas

Esta guía para resolver problemas está diseñada únicamente como ayuda general. Todos los problemas eléctricos deben ser resueltos por un representante de servicio autorizado de KOHLER o un electricista calificado. Para obtener servicio cubierto por la garantía, póngase en contacto con el vendedor o el distribuidor mayorista.

### Guía para resolver problemas del sistema de la bañera de hidromasaje

Síntomas	Causas probables	Acción recomendada
1. El teclado no se ilumina cuando se oprime el botón de encendido o se hace girar el anillo externo.	<p>A. El control no tiene alimentación eléctrica.</p> <p>B. El interruptor GFCI o RCD se ha disparado.</p> <p>C. El arnés de cables del teclado al control está suelto, desconectado o dañado.</p> <p>D. El teclado no funciona.</p> <p>E. El control no funciona.</p>	<p>A. Verifique el cableado y conecte el suministro eléctrico.</p> <p>B. Oprima el botón de restablecer el interruptor GFCI o RCD.</p> <p>C. Revise que los cables estén correctamente conectados. Reemplace el arnés de cables de ser necesario.</p> <p>D. Reemplace el teclado.</p> <p>E. Reemplace el control.</p>

**Procedimientos para resolver problemas (cont.)**

<b>Síntomas</b>	<b>Causas probables</b>	<b>Acción recomendada</b>
2. El motor se enciende, pero no todos los jets funcionan.	<p><b>A.</b> El jet está cerrado.</p> <p><b>B.</b> El jet no está instalado correctamente.</p> <p><b>C.</b> Los jets están obstruidos.</p>	<p><b>A.</b> Gire la guarnición del jet hacia la izquierda para abrirlo.</p> <p><b>B.</b> Vuelva a instalar el jet; revise que el arosello (O-ring) no esté dañado.</p> <p><b>C.</b> Elimine la obstrucción.</p>
3. El teclado está iluminado, pero no responde a los botones o anillo externo.	<p><b>A.</b> El programa del control está bloqueado.</p> <p><b>B.</b> El arnés de cables del teclado al control está suelto, desconectado o dañado.</p> <p><b>C.</b> El teclado no funciona.</p> <p><b>D.</b> El control no funciona.</p>	<p><b>A.</b> Oprima el botón de restablecer el interruptor GFCI o RCD.</p> <p><b>B.</b> Revise que los cables estén correctamente conectados. Reemplace el arnés de cables de ser necesario.</p> <p><b>C.</b> Reemplace el teclado.</p> <p><b>D.</b> Reemplace el control.</p>
4. Al encender la unidad, la barra indicadora del teclado continúa en modo de búsqueda.	<p><b>A.</b> El programa del control está bloqueado.</p> <p><b>B.</b> El arnés de cables del teclado al control está suelto, desconectado o dañado.</p> <p><b>C.</b> El teclado no funciona.</p> <p><b>D.</b> El control no funciona.</p>	<p><b>A.</b> Oprima el botón de restablecer el interruptor GFCI o RCD.</p> <p><b>B.</b> Revise que los cables estén correctamente conectados. Reemplace el arnés de cables de ser necesario.</p> <p><b>C.</b> Reemplace el teclado.</p> <p><b>D.</b> Reemplace el control.</p>
5. El teclado está iluminado pero la bomba no se enciende.	<p><b>A.</b> El cable eléctrico de la bomba al control está suelto, desconectado o dañado.</p> <p><b>B.</b> La bomba no funciona.</p> <p><b>C.</b> El control no funciona.</p>	<p><b>A.</b> Revise que los cables estén correctamente conectados.</p> <p><b>B.</b> Reemplace la bomba.</p> <p><b>C.</b> Reemplace el control.</p>
6. El motor funciona pero la bomba no hace el cebado (se produce cavitación).	<p><b>A.</b> La bomba se ha acuñado demasiado.</p> <p><b>B.</b> Pequeña fuga de aire en la entrada de la bomba.</p> <p><b>C.</b> El motor/bomba no funciona.</p> <p><b>D.</b> El control no funciona.</p>	<p><b>A.</b> Baje la bomba/control al nivel del subpiso.</p> <p><b>B.</b> Apriete firmemente la(s) tuerca(s) del lado de admisión de la bomba.</p> <p><b>C.</b> Reemplace el motor/bomba.</p> <p><b>D.</b> Reemplace el control.</p>
7. La bomba se detiene antes de funcionar durante 18 minutos.	<p><b>A.</b> El interruptor GFCI o RCD se ha disparado.</p> <p><b>B.</b> La succión está obstruida.</p> <p><b>C.</b> Los jets están obstruidos.</p> <p><b>D.</b> El motor se ha sobrecalentado, activando el dispositivo de protección.</p>	<p><b>A.</b> Identifique la causa de la falla y corrija. Oprima el botón de restablecer el interruptor GFCI o RCD.</p> <p><b>B.</b> Elimine la obstrucción.</p> <p><b>C.</b> Elimine la obstrucción.</p> <p><b>D.</b> Verifique que no haya obstrucciones en la succión y/o jets. Elimine la obstrucción y deje enfriar el motor.</p>
8. La bomba no se apaga automáticamente después de 22 minutos.	<p><b>A.</b> El temporizador de 20 minutos se ha desactivado inadvertidamente.</p>	<p><b>A.</b> Consulte el manual de mantenimiento.</p>
9. La bomba no se apaga cuando se oprime el botón de encendido/apagado en el teclado.	<p><b>A.</b> El teclado no funciona.</p>	<p><b>A.</b> Reemplace el teclado.</p>

<b>Procedimientos para resolver problemas (cont.)</b>		
<b>Síntomas</b>	<b>Causas probables</b>	<b>Acción recomendada</b>
	<b>B.</b> El control no funciona.	<b>B.</b> Reemplace el control.
<b>10.</b> La bomba funciona pero la opción de velocidad variable no funciona.	<b>A.</b> El motor/bomba no funciona.  <b>B.</b> El control no funciona.	<b>A.</b> Reemplace el motor/bomba.  <b>B.</b> Reemplace el control.
<b>11.</b> El agua de la bañera se enfría mientras la bomba está funcionando.	<b>A.</b> La temperatura del agua sobrepasa los 104°F (40°C).  <b>B.</b> El botón del calentador está apagado en el teclado. <b>C.</b> El cable del calentador al control está suelto, desconectado o dañado. <b>D.</b> El calentador no funciona. <b>E.</b> El control no funciona.	<b>A.</b> Deje enfriar el agua de la bañera.  <b>B.</b> Encienda el calentador. <b>C.</b> Revise que los cables estén correctamente conectados. <b>D.</b> Reemplace el calentador. <b>E.</b> Reemplace el control.
<b>12.</b> Funcionamiento ruidoso.	<b>A.</b> Las cintas de la bomba no se han cortado. <b>B.</b> El arosello (O-ring) del jet está mal colocado o seco (ruidoso).	<b>A.</b> Corte las cintas con unas tijeras para chapa. <b>B.</b> Extraiga el jet, reemplace y lubrique el arosello (O-ring); vuelva a instalar el jet.
<b>13.</b> El control remoto (si está equipado) no funciona.	<b>A.</b> Pilas mal instaladas o descargadas. <b>B.</b> La antena del arnés de cables está dañada. <b>C.</b> El control remoto no se ha programado correctamente. <b>D.</b> El control remoto no funciona. <b>E.</b> El control no funciona.	<b>A.</b> Reemplace las pilas. <b>B.</b> Reemplace el arnés de cables. <b>C.</b> Consulte la guía del usuario o el manual de mantenimiento. <b>D.</b> Reemplace el control remoto. <b>E.</b> Reemplace el control.
<b>Guía para resolver problemas del sistema de los jets para el cuello</b>		
<b>Síntomas</b>	<b>Causas probables</b>	<b>Acción recomendada</b>
<b>14.</b> El teclado no responde cuando el modo de los jets para el cuello está seleccionado.	<b>A.</b> El teclado no funciona.	<b>A.</b> Reemplace el teclado.
<b>15.</b> La bomba funciona pero los jets para el cuello no se encienden. La barra indicadora del teclado está parpadeando.	<b>A.</b> La almohada no está instalada.  <b>B.</b> El interruptor de láminas no funciona.  <b>C.</b> El arnés de cables del jet para el cuello al control está suelto, desconectado o dañado.	<b>A.</b> Asegúrese de que la almohada esté correctamente colocada al cuerpo del jet para el cuello.  <b>B.</b> Revise los cables del interruptor de láminas y replácelos si es necesario. <b>C.</b> Revise que los cables estén correctamente conectados. Reemplace el arnés de cables de ser necesario.
<b>16.</b> La bomba funciona pero los jets para el cuello no se encienden. La barra indicadora del teclado NO está parpadeando.	<b>A.</b> La tubería de los jets para el cuello está obstruida.  <b>B.</b> El arnés de cables del jet para el cuello al control está suelto, desconectado o dañado.	<b>A.</b> Desconecte las mangueras de los jets para el cuello y elimine la obstrucción.  <b>B.</b> Revise que los cables estén correctamente conectados. Reemplace el arnés de cables de ser necesario.



**Procedimientos para resolver problemas (cont.)**

<b>Síntomas</b>	<b>Causas probables</b>	<b>Acción recomendada</b>
	<b>C.</b> La válvula de mariposa no funciona. <b>D.</b> El control no funciona.	<b>C.</b> Reemplace la válvula de mariposa. <b>D.</b> Reemplace el control.
<b>17.</b> El agua fluye por los jets para el cuello, pero éstos no pulsan.	<b>A.</b> El arnés de cables que existe entre la caja de pulsación del jet para el cuello y el control está suelto, desconectado o dañado. <b>B.</b> La caja de pulsación no funciona. <b>C.</b> El control no funciona.	<b>A.</b> Revise que los cables estén correctamente conectados. Reemplace el arnés de cables de ser necesario. <b>B.</b> Reemplace la caja de pulsación. <b>C.</b> Reemplace el control.





USA/Canada: 1-800-4KOHLER

México: 001-800-456-4537

[kohler.com](http://kohler.com)

THE BOLD LOOK  
OF **KOHLER**®

©2011 Kohler Co.

1019749-2-M