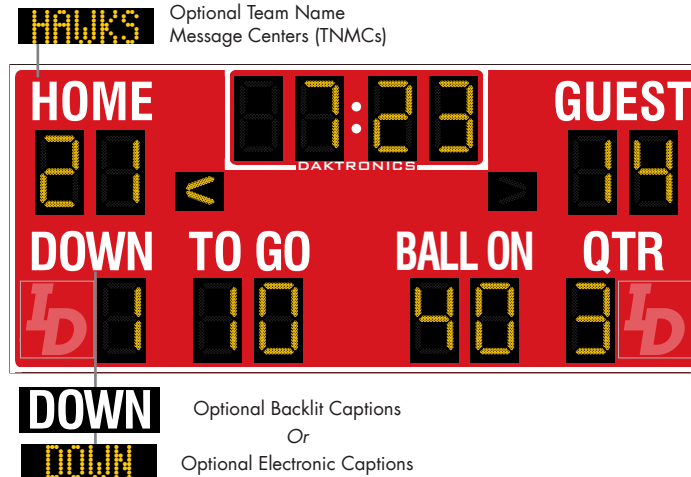


DAKTRONICS FB-2018 PRODUCT SPECIFICATIONS



This outdoor LED football scoreboard displays period time to 99:59, HOME and GUEST scores to 99 and DOWN/TO GO/BALL ON/QTR (quarter) information. T.O.L. (time outs left) to nine are optional. Arrows indicate possession. When period time is less than one minute, the scoreboard displays time to 1/10 of a second. Scoreboard shown with optional striping and amber PanaView® digits.

DIMENSIONS	# OF SECTIONS
8'-0" H x 18'-0" W x 8" D (2.44 m, 5.49 m, 203 mm)	Two Total
4'-0" H x 18'-0" W x 8" D (1.22 m, 5.49 m, 203 mm)	One Top & One Bottom

Notes:

- 1) Models with 240 VAC power at half the indicated amperage are also offered (International Use Only).
- 2) Backlit Captions use 120 VAC circular fluorescent bulbs and are not an option for 240 VAC models.

CAPTION OPTIONS	UNCRATED WEIGHT		POWER (120 VAC)
Vinyl Captions (Standard)	Top & Bottom: 288 lb (131 kg)	Total: 576 lb (261 kg)	600 Watts, 5 Amps
8x32 TNMCs	Top: 368 lb (167 kg) Bottom: 288 lb (131 kg)	Total: 656 lb (298 kg)	900 Watts, 7.5 Amps
8x32 TNMCs & Electronic Captions	Top: 368 lb (167 kg) Bottom: 448 lb (203 kg)	Total: 816 lb (370 kg)	1500 Watts, 12.5 Amps
Backlit Captions	Top: 328 lb (149 kg) Bottom: 368 lb (167 kg)	Total: 696 lb (316 kg)	1500 Watts, 12.5 Amps

DIGITS & INDICATORS

- All digits are 24" (610 mm) high. Optional T.O.L. digits are 15" (381 mm) high.
- Select all red or all amber LED digits and indicators. Scoreboard may instead have mixed LED digit colors (see [DD1965467](#)).
- Scoreboard features robust weather-sealed digits (see [DD2495646](#)).
- Digits may be dimmed for night viewing.

DISPLAY COLOR

Choose from 150+ colors (from Martin Senour® paint book) at no additional cost.

CONSTRUCTION

Alcoa aluminum alloy 5052 for excellent corrosion resistance

CAPTIONS

- All captions are 12" (305 mm) high. Optional T.O.L. captions are 8" (203 mm) high.
- Standard captions are vinyl, applied directly to the display face.
- Optional backlit captions are 12" (305 mm) high and consist of white letters on a black background.
- Optional electronic captions automatically change according to the sport mode, eliminating the need for caption panels. Electronic captions and TNMCs are 10.6" (269 mm) high.

WWW.DAKTRONICS.COM E-MAIL: SALES@DAKTRONICS.COM

201 Daktronics Drive, PO Box 5128, Brookings, SD 57006
Phone: 1-800-325-8766 or 605-692-0200 Fax: 605-697-4746
DD2167274 111513 Page 1 of 8



DAKTRONICS FB-2018 PRODUCT SPECIFICATIONS

PRODUCT SAFETY APPROVAL

ETL listed to UL Standards 48 and 1433; tested to CSA standards and CE labeled for outdoor use

OPERATING TEMPERATURES

- Display: -22 to 122° Fahrenheit (-30 to 50° Celsius)
- Console: 32 to 130° Fahrenheit (0 to 54° Celsius)

CONTROL CONSOLE	CONTROL OPTIONS
All Sport® 5000 (see SL-03991)	Wired (standard): One-pair shielded cable of 22 AWG minimum is required. A cover plate with mounted connector and standard 2" x 4" x 2" (51 mm x 102 mm x 51 mm) outlet box is provided. Connector mates with signal cable from control console. <hr/> Wireless (optional): 2.4 GHz spread spectrum radio features 64 non-interfering channels and 8 broadcast groups (see SL-04370).

SEGMENT TIMER MODE

The segment timer mode is ideal for keeping practices on schedule. The horn at the end of a segment allows coaches and athletes to focus on the practice and to listen for the horn when it is time to change drills (see [SL-04004](#)).

MOUNTING

Scoreboard is typically mounted on two vertical beams or poles. Hardware to mount scoreboard on two beams is included; hardware for more beams is at additional cost. Standard mounting uses I-beam clamps. Optional mounting method using angle brackets is also offered; maximum beam width is 12" (305 mm) and maximum beam depth is 22" (559 mm). Refer to attached drawings for more information on mounting methods.

SERVICE ACCESS

Digit panels and electronics are serviced from the front of the scoreboard.

GENERAL INFORMATION

Scoreboard provides scoring capabilities for two teams. 100% solid state electronics are housed in an all aluminum cabinet. Scoreboard is shipped in two sections. Specifications and pricing are subject to change without notice.

OPTIONS & ACCESSORIES

- Scoreboard border striping
- Multiple caption and striping colors (see [DD2101644](#))
- Team name caption in place of HOME *
- Team names on changeable panels *
- Programmable Team Name Message Centers (see [DD1696958](#))
- T.O.L. digits with captions
- Two 2'-0" (610 mm) tall x 1'-11" (584 mm) wide logo/sponsor panels (not available with T.O.L. digits). Copy is applied to removable panels.
- Backlit or electronic captions
- Baseball, lacrosse/field hockey and soccer captions on changeable panels
- LED colon
- Horn
- Standalone Time of Day – scoreboard acts as a clock when control console is unplugged/off
- Individual digit protective screens (see [SL-04939](#))
- Protective netting
- Optional angle bracket mounting method
- Advertising/identification panels
- Decorative accents
- Electronic message centers and video displays in multiple sizes

* Only for scoreboard without Team Name Message Centers

WWW.DAKTRONICS.COM E-MAIL: SALES@DAKTRONICS.COM

201 Daktronics Drive, PO Box 5128, Brookings, SD 57006
Phone: 1-800-325-8766 or 605-692-0200 Fax: 605-697-4746
DD2167274 111513 Page 2 of 8



DAKTRONICS FB-2018 PRODUCT SPECIFICATIONS

ADVERTISING/IDENTIFICATION PANELS

Backlit & Non-Backlit:

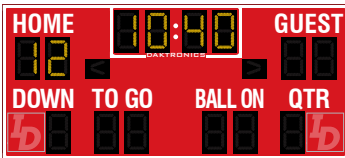
- 1'-6" H x 18'-0" W (457 mm, 5.49 m)
- 2'-0" H x 18'-0" W (610 mm, 5.49 m)
- 2'-6" H x 18'-0" W (762 mm, 5.49 m)
- 3'-0" H x 18'-0" W (914 mm, 5.49 m)
- 4'-0" H x 18'-0" W (1.22 m, 5.49 m)

For additional non-backlit panel sizes, see [SL-03761](#).

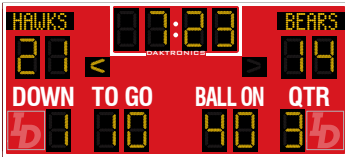
FOR ADDITIONAL INFORMATION

- Installation Specifications: DWG-302416 (attached)
- Standard I-beam Mounting: DWG-1052565 (attached)
- Optional Pole Mounting: DWG-1048184 (attached)
- Component Locations: DWG-1068840 (attached)
- Architectural Specifications: See [SL-10093](#)
- Installation Manual: See [DD1969938](#)
- Service Manual: See [DD2124597](#)

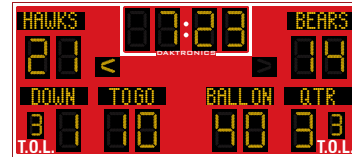
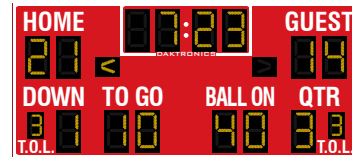
ALTERNATE CAPTIONS & SCORING MODES



Segment Timer Mode –
Standard vinyl captions shown



Football Mode –
Optional TNMCs shown



Football Mode with T.O.L. Option –
vinyl, backlit & electronic captions shown
(vinyl T.O.L. captions only)

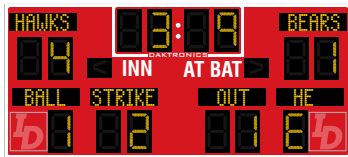
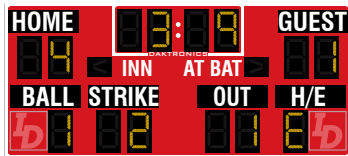
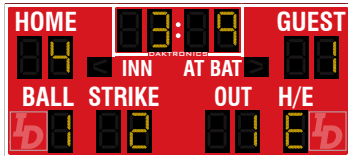


Soccer Mode –
vinyl, backlit & electronic captions shown
(SHOTS displayed with electronic captions)

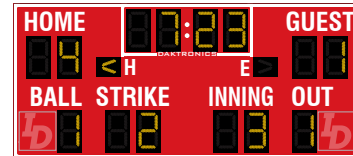


Lacrosse/Field Hockey Mode –
vinyl, backlit & electronic captions shown
(SHOTS & PER displayed with electronic captions)

DAKTRONICS FB-2018 PRODUCT SPECIFICATIONS



Baseball Mode, without Clock –
vinyl, backlit & electronic captions shown
(10" vinyl INN/AT BAT captions only)



Baseball Mode, with Clock –
vinyl, backlit & electronic captions shown
(10" vinyl H/E captions only)

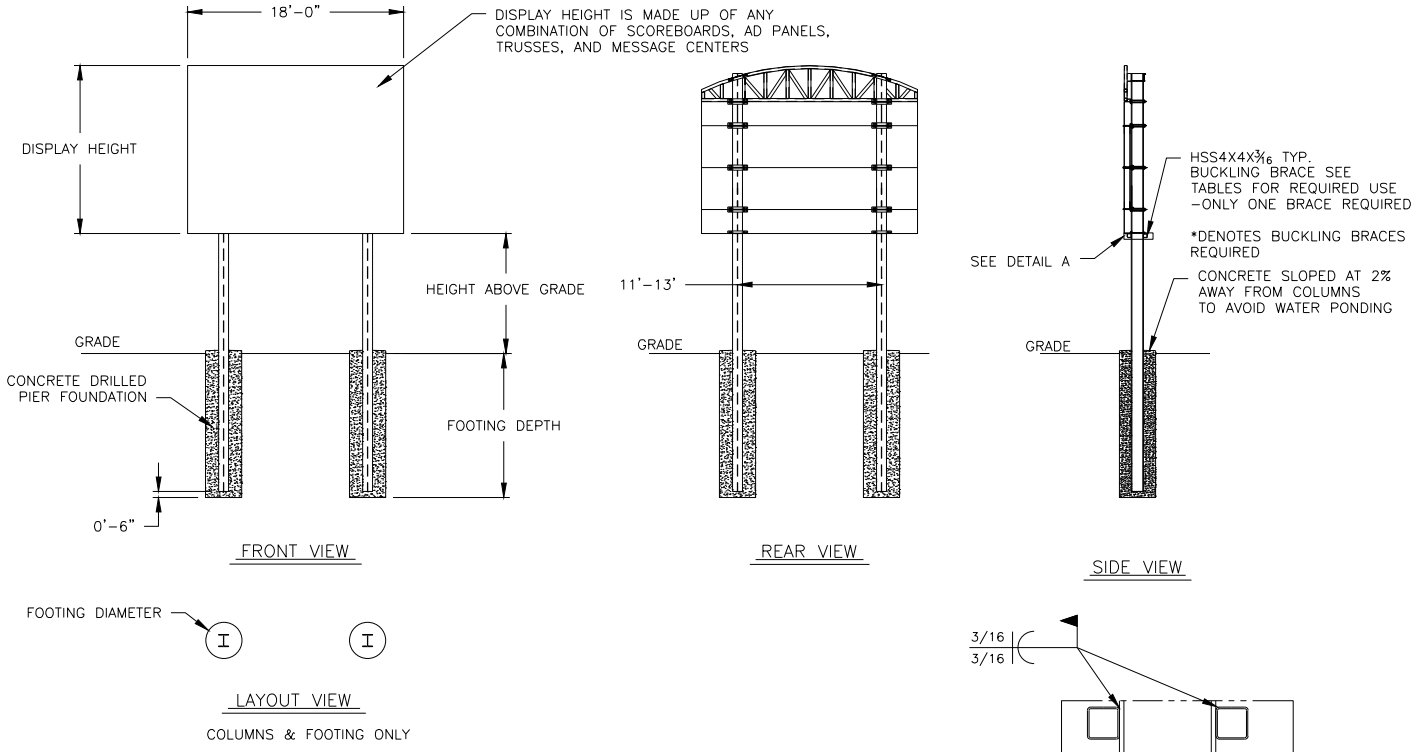


TABLE A - MOUNTING

EXPOSURE B

HEIGHT ABOVE GRADE = 10'				HEIGHT ABOVE GRADE = 15'					
DISPLAY HEIGHT (FT)		DESIGN WIND VELOCITY			DISPLAY HEIGHT (FT)		DESIGN WIND VELOCITY		
		90 MPH	110 MPH	130 MPH			90 MPH	110 MPH	130 MPH
8	COLUMN FOOTING	W8X24 3.0'X7.0'	W8X28 3.0'X8.5'	W10X33 3.0'X9.5'	8	COLUMN FOOTING	W8X31 3.0'X8.0'	W10X39 3.0'X9.5'	W10X45 3.0'X10.5'
10	COLUMN FOOTING	W8X28 3.0'X8.0'	W10X33 3.0'X9.0'	W12X40 3.0'X10.5'	10	COLUMN FOOTING	W10X39 3.0'X9.0'	W10X48 3.0'X10.0'	W12X53 3.0'X11.5'
12	COLUMN FOOTING	W10X33 3.0'X8.5'	W12X40 3.0'X10.0'	W14X48 3.0'X11.5'	12	COLUMN FOOTING	W10X45 3.0'X9.5'	W12X53 3.0'X11.0'	W14X61 3.0'X12.5'
14	COLUMN FOOTING	W10X39 3.0'X9.5'	W14X48 3.0'X11.0'	W12X58 3.0'X12.5'	14	COLUMN FOOTING	W16X36* 3.0'X10.5'	W14X48* 3.0'X12.0'	W21X55* 3.0'X14.5'
16	COLUMN FOOTING	W10X45 3.0'X10.0'	W12X53 3.0'X11.5'	W12X65 3.0'X14.0'	16	COLUMN FOOTING	W16X40 3.0'X11.0'	W21X48* 3.0'X13.0'	W21X62* 3.0'X16.0'
18	COLUMN FOOTING	W10X39* 3.0'X10.5'	W12X53* 3.0'X12.5'	W14X61* 3.0'X15.5'	18	COLUMN FOOTING	W12X53* 3.0'X11.5'	W14X61* 3.0'X14.5'	W18X76 3.0'X17.5'

FOOTING DIMENSIONS = DIAMETER X DEPTH
* DENOTES BUCKLING BRACE REQUIRED

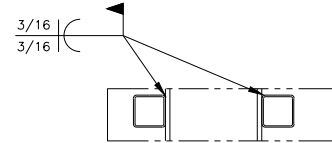
EXPOSURE C

HEIGHT ABOVE GRADE = 10'				HEIGHT ABOVE GRADE = 15'			
DISPLAY HEIGHT (FT)		DESIGN WIND VELOCITY		DISPLAY HEIGHT (FT)		DESIGN WIND VELOCITY	
		90 MPH	110 MPH			90 MPH	110 MPH
8	COLUMN FOOTING	W8X28 3.0'X8.0'	W10X33 3.0'X9.5'	8	COLUMN FOOTING	W10X39 3.0'X9.0'	W14X45 3.0'X10.5'
10	COLUMN FOOTING	W10X33 3.0'X9.0'	W12X40 3.0'X10.5'	10	COLUMN FOOTING	W10X45 3.0'X10.0'	W12X53 3.0'X11.5'
12	COLUMN FOOTING	W10X39 3.0'X10.0'	W14X49 3.0'X11.5'	12	COLUMN FOOTING	W12X53 3.0'X11.0'	W14X61 3.0'X12.5'
14	COLUMN FOOTING	W14X48 3.0'X10.5'	W12X58 3.0'X12.5'	14	COLUMN FOOTING	W16X45* 3.0'X11.5'	W21X55* 3.0'X14.5'
16	COLUMN FOOTING	W12X53 3.0'X11.5'	W12X65 3.0'X14.0'	16	COLUMN FOOTING	W21X48* 3.0'X12.5'	W21X62* 3.0'X16.0'
18	COLUMN FOOTING	W12X53* 3.0'X12.0'	W14X61* 3.0'X15.5'	18	COLUMN FOOTING	W14X61* 3.0'X13.5'	W18X76* 3.0'X17.5'

FOOTING DIMENSIONS = DIAMETER X DEPTH
* DENOTES BUCKLING BRACE REQUIRED

NOTE:
-REFER TO NOTE 8 FOR EXPOSURE CATEGORY DEFINITIONS.

DETAIL A
(8 X SCALE)



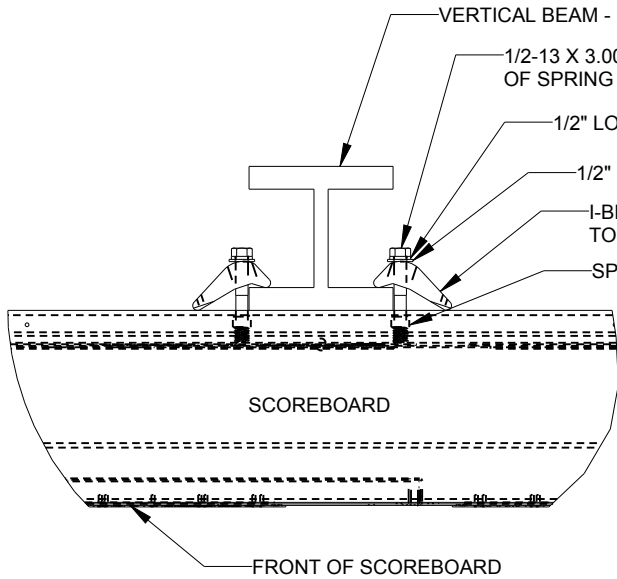
NOTES:

- FOOTING AND COLUMN SIZES ARE SUGGESTIONS ONLY, PROVIDED TO ASSIST WITH ESTIMATING INSTALLATION COSTS AND ARE NOT INTENDED FOR CONSTRUCTION PURPOSES. THE DESIGN MUST BE CERTIFIED BY A PROFESSIONAL ENGINEER LICENSED IN THE STATE OF THE INSTALLATION BEFORE THEY CAN BE USED FOR FABRICATION OR ERECTION.
- INTERNATIONAL BUILDING CODE 2006 USED IN DESIGN OF COLUMNS AND FOOTINGS WITH IMPORTANCE FACTOR=1, Kzt=1.0, Kd=0.85, G=0.85. SEISMIC DESIGN WAS NOT CONSIDERED.
- FOOTING DIMENSIONS ARE BASED ON ASSUMED SOIL CLASS 4 (ALLOWABLE LATERAL BEARING PRESSURE OF 150 psf).
- STRUCTURAL STEEL IS GRADE A992 (50 ksi) STEEL. CONCRETE SHALL HAVE A MINIMUM 28 DAY COMPRESSIVE STRENGTH OF 2500 psi.
- THE AVERAGE DISPLAY WEIGHT FOR A LAYOUT CAN NOT EXCEED 8 PSF.
- DAKTRONICS INC. IS NOT RESPONSIBLE FOR STRUCTURES DESIGNED AND INSTALLED BY OTHERS.
- REFER TO DAKTRONICS DRAWING 1407-E07B-299257 FOR DETAILS OF DISPLAY MOUNTING TO COLUMNS.
- LOCAL BUILDING OFFICIALS SHOULD BE CONTACTED TO DETERMINE THE WIND SPEED AND EXPOSURE CATEGORY FOR THE PROPOSED SIGN LOCATION. THE EXPOSURE CATEGORIES B AND C ARE DEFINED AS:

EXPOSURE B - URBAN AND SUBURBAN AREAS, WOODED AREAS, OR OTHER TERRAIN WITH NUMEROUS CLOSELY SPACED OBSTRUCTIONS HAVING THE SIZE OF SINGLE-FAMILY DWELLINGS OR LARGER. THESE CONDITIONS MUST PREVAIL FOR A DISTANCE FROM THE SIGN OF AT LEAST 2,600 ft OR 20 TIMES THE SIGN HEIGHT, WHICHEVER IS GREATER

EXPOSURE C - OPEN TERRAIN WITH SCATTERED OBSTRUCTIONS HAVING HEIGHTS GENERALLY LESS THAN 30 FT. THIS CATEGORY INCLUDES FLAT OPEN COUNTRY, GRASSLANDS, AND ALL WATER SURFACES IN HURRICANE PRONE REGIONS.
- FOR SPECIFIC PRODUCT DETAILS ON WEIGHT, MOUNTING, ETC. REFER TO THE INDIVIDUAL PRODUCT SPECIFICATION SHEETS.

REV 05	DATE: 26 OCT 11	ADDED "ONLY ONE BRACE REQUIRED" NOTE	BY: KDD		THE CONCEPTS EXPRESSED AND DETAILS SHOWN ON THIS DRAWING ARE CONFIDENTIAL AND PROPRIETARY. DO NOT REPRODUCE BY ANY MEANS WITHOUT THE EXPRESSED WRITTEN CONSENT OF DAKTRONICS, INC. COPYRIGHT 2011 DAKTRONICS, INC.
REV 04	DATE: 10 DEC 08	REMOVED PRODUCT TABLE AND CHANGED DRAWING TO A SIZE	BY: JKU		
REV 03	DATE: 20 NOV 08	CHARTS UPDATED	BY: JRK	PROJ: OUTDOOR SCOREBOARD INSTALLATION TITLE: 18' WIDTH SCOREBOARD INSTALLATION SPECS.	
REV 02	DATE: 18 NOV 08	ASYMETRICAL TRUSS REMOVED	BY: JRK	DESIGN: SVANHOV SCALE: 1/16" = 1'	DRAWN: SVANHOV DATE: 14 MAR 07
REV 01	DATE: 13 NOV 08	BRACED COLUMN SIZED ADDED MODEL NUMBERS CHANGED CROWNED TRUSS REMOVED	BY: JRK	SHEET 05 REV P1538	JOB NO: P1538 FUNC-TYPE-SIZE E-10-A 302416

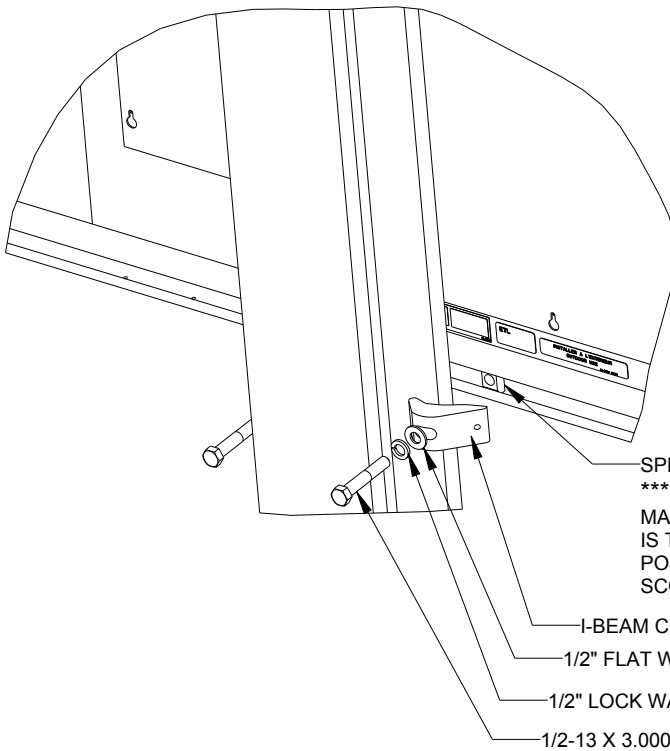


TOP VIEW

STANDARD MOUNTING METHOD

MOUNTING INSTRUCTIONS:

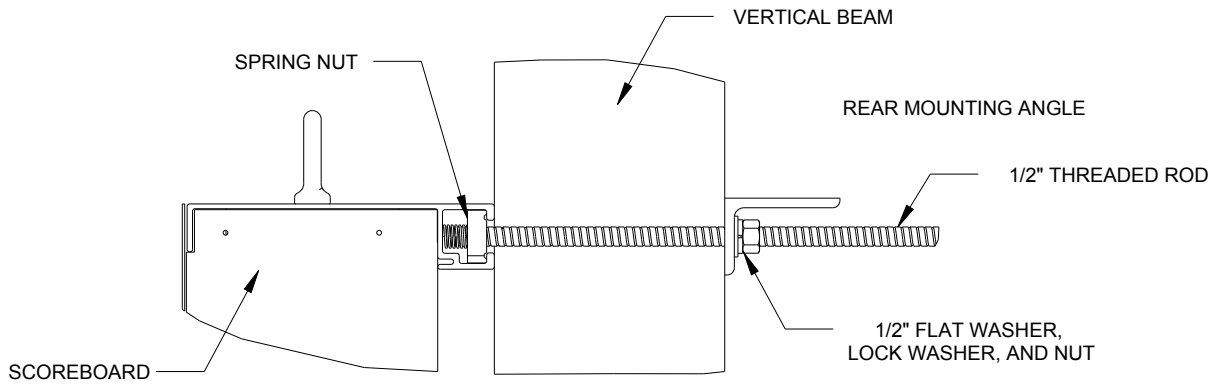
1. PLACE SPRING NUTS INTO SCOREBOARD CHANNEL IN APPROXIMATE LOCATION OF VERTICAL BEAMS
2. LIFT SCOREBOARD INTO POSITION
3. MAKE SURE THE 1/2-13 BOLTS ARE AS CLOSE TO THE I-BEAM FLANGES AS POSSIBLE
4. WHEN SCOREBOARD IS ADJUSTED TO FINAL DESIRED POSITION, TIGHTEN BOLTS FIRMLY
5. IF FLANGE THICKNESS IS MORE THAN 3/4" THICK LONGER BOLTS WILL BE REQUIRED AT THE CUSTOMER'S EXPENSE.



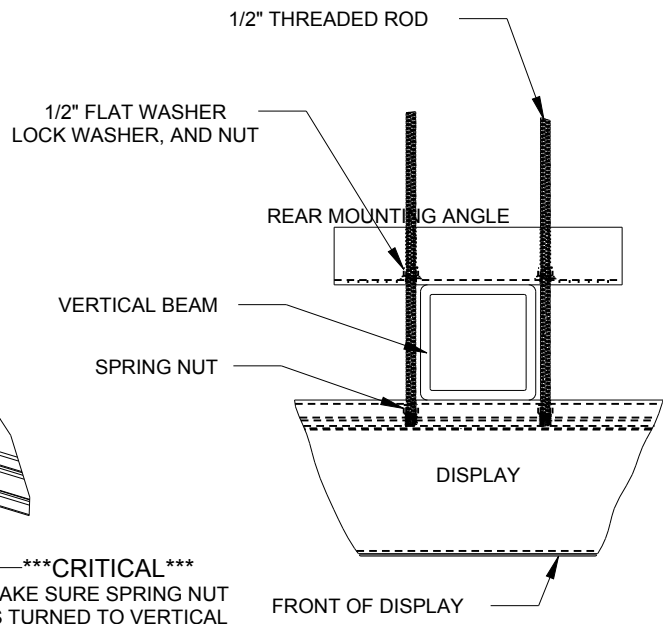
EXPLODED REAR ISOMETRIC VIEW

D DAKTRONICS, INC. BROOKINGS, SD 57006		THE CONCEPTS EXPRESSED AND DETAILS SHOWN ON THIS DRAWING ARE CONFIDENTIAL AND PROPRIETARY. DO NOT REPRODUCE BY ANY MEANS WITHOUT THE EXPRESSED WRITTEN CONSENT OF DAKTRONICS, INC. COPYRIGHT 2011 DAKTRONICS, INC.	
DO NOT SCALE DRAWING			
PROJ: OUTDOOR SCOREBOARD			
TITLE: P1647; I-BEAM CLAMP MOUNTING			
DESIGN: MCARSRU	DRAWN: MCARSRU	DATE: 23-OCT-13	
SCALE: 1/8			
SHEET: 1 OF 1	REV: 03	JOB NO: P 1647	FUNC-TYPE-SIZE: E - 07 - A
			1052565

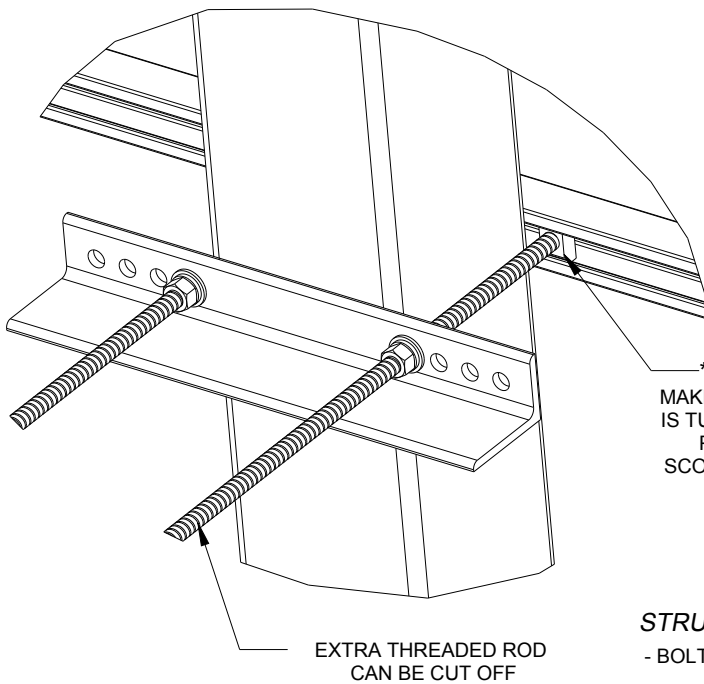
03	23 OCT 13	CHANGED BOLT TORQUE FROM 30 FT-LB TO 40 FT-LB PER EC-12382	NJM
02	07 MAR 12	ADDED STADNARD MOUNTING METHOD NOTES	KDD
01	21 FEB 12	CHANGED ROCKER TO I-BEAM	KDD
REV	DATE:		BY:



SIDE VIEW



TOP VIEW
SCALE 1/10



REAR ISOMETRIC VIEW


CRITICAL
MAKE SURE SPRING NUT IS TURNED TO VERTICAL POSITION INSIDE SCOREBOARD CHANNEL

STRUCTURAL NOTES:

- BOLT TORQUE: 30 FT-LB

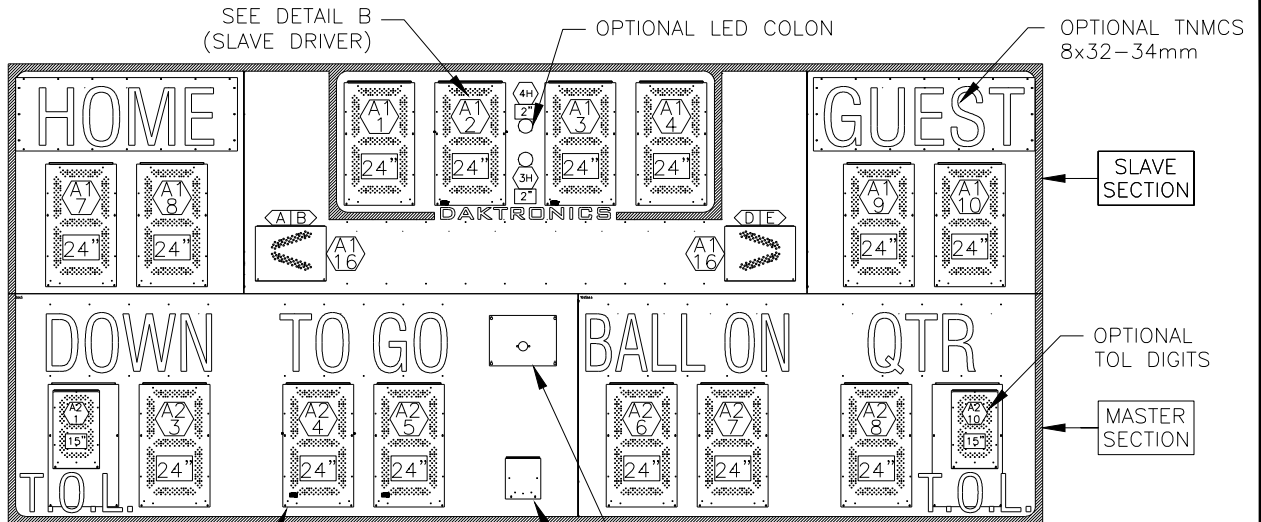
NOTES:

- THREADED RODS RUN ALONG BOTH SIDES OF BEAM
- RODS DO NOT PASS THROUGH THE FLANGES OF THE BEAM
- NO DRILLING NECESSARY
- MAKE SURE SPRING NUT IS PERPENDICULAR TO CHANNEL OPENING ON SCOREBOARD

 DAKTRONICS, INC. BROOKINGS, SD 57006 DO NOT SCALE DRAWING		THE CONCEPTS EXPRESSED AND DETAILS SHOWN ON THIS DRAWING ARE CONFIDENTIAL AND PROPRIETARY. DO NOT REPRODUCE BY ANY MEANS WITHOUT THE EXPRESSED WRITTEN CONSENT OF DAKTRONICS, INC. COPYRIGHT 2010 DAKTRONICS, INC.	
PROJ: OUTDOOR SCOREBOARDS			
TITLE: P1647; POLE MOUNTING OPTIONS			
DESIGN: DOPPELT		DRAWN: DOPPELT	
SCALE: 1/5		DATE: 22 MAR 11	
SHEET: 1 OF 1	REV: 03	JOB NO: P1647	FUNC-TYPE-SIZE: E - 10 - A
			1048184

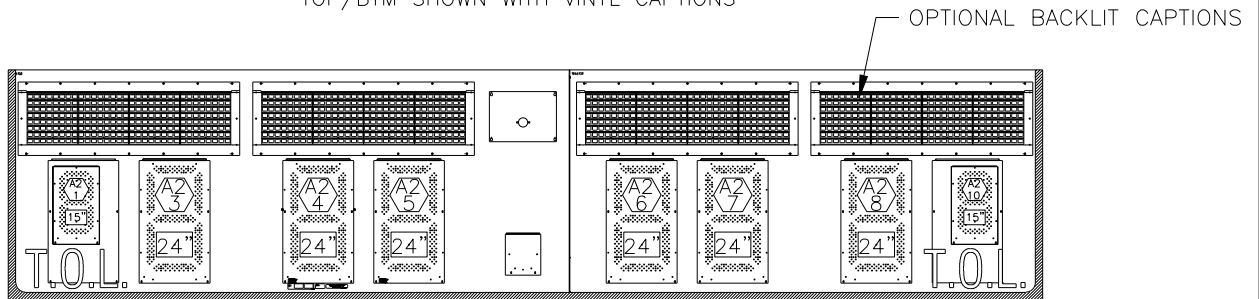
REV 03	DATE: 3 JULY 13	ADDED STRUCTURAL NOTE	BY: TTF
REV 02	DATE: 20 SEP 12	REMOVED CHAMFER FROM 0M-133259 PER EC-7114	BY: LMG
REV 01	DATE: 06 OCT 11	REPLACED VERTICAL I-BEAM WITH 6" X 6" SQUARE TUBE	BY: JAVA

FB-2018-R/A

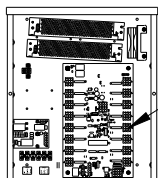


SEE DETAIL A
(MASTER DRIVER &
KNOCKOUT FOR 1/2" CONDUIT)

FRONT VIEW
TOP/BTM SHOWN WITH VINYL CAPTIONS



FRONT VIEW
BTM SHOWN WITH 8X32-34mm
ELECTRONIC CAPTIONS AND VINYL TOL



DETAIL: A
x2 SCALE

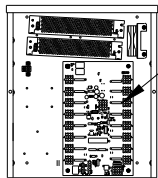
ENCLOSED 16 COLUMN MASTER LED DRIVER AND
SIGNAL ENCLOSURE @1.
(THE COVER HAS BEEN REMOVED TO SHOW THE
ENCLOSURE COMPONENT DETAIL.)

NOTES:

= LED DRIVER NUMBER &
LED DRIVER CONNECTOR
WIRED TO THAT DIGIT.

= DIGIT SIZE

= SEGMENT DESIGNATIONS



DETAIL: B
x2 SCALE

ENCLOSED 16 COLUMN SLAVE LED DRIVER
AND SIGNAL ENCLOSURE @1.
(THE COVER HAS BEEN REMOVED TO SHOW THE
ENCLOSURE COMPONENT DETAIL.)

		DAKTRONICS, INC. BROOKINGS, SD 57006 DO NOT SCALE DRAWING		THE CONCEPTS EXPRESSED AND DETAILS SHOWN ON THIS DRAWING ARE CONFIDENTIAL AND PROPRIETARY. DO NOT REPRODUCE BY ANY MEANS WITHOUT THE EXPRESSED WRITTEN CONSENT OF DAKTRONICS, INC. COPYRIGHT 2011 DAKTRONICS, INC.	
PROJ: OUTDOOR EXTRUDED SCOREBOARDS					
TITLE: COMPONENT LOCATION; FB-2018-R/A					
DESIGN: MCARSRU			DRAWN: JROBERS		DATE: 13 SEPT 11
SCALE: 1 = 40					
SHEET	REV	JOB NO:	FUNC-TYPE-SIZE	1068840	
01	23 APR 13	PER EC-9747, UPDATED FB INDICATOR	BY: KDD	01	P1647
				R-08-A	