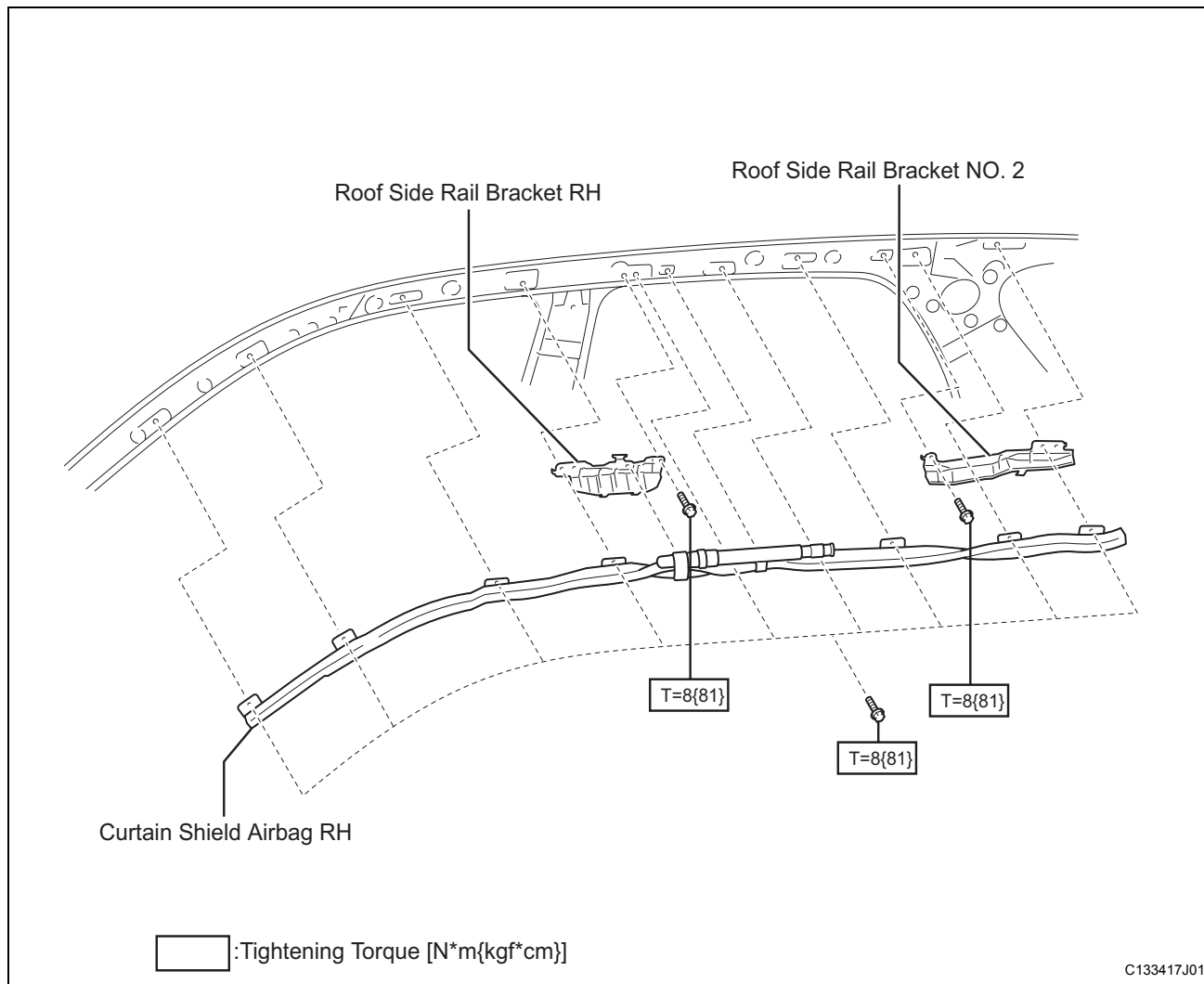


CURTAIN SHIELD AIRBAG RH

COMPONENTS



RS

REMOVAL

1. HANDLING AND OPERATING PRECAUTIONS

(See page RS-164.)

HINT:

This procedure is for the RH side. Use the same procedure for the LH side as for the RH side, except for the special sections.

2. DISCONNECT BATTERY NEGATIVE TERMINAL

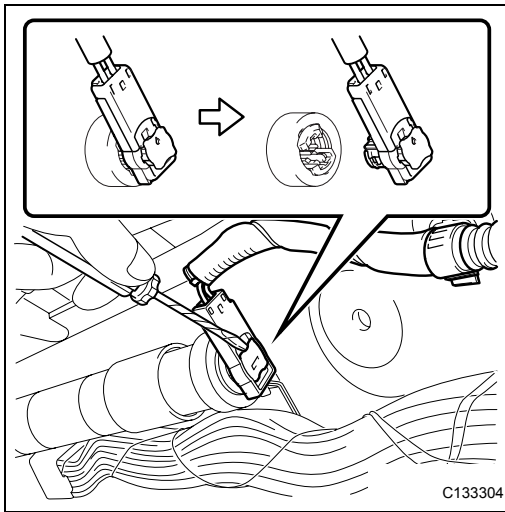
3. REMOVE ROOF HEADLINING ASSEMBLY

(See page IR-1.)

(See page IR-4.)



RS

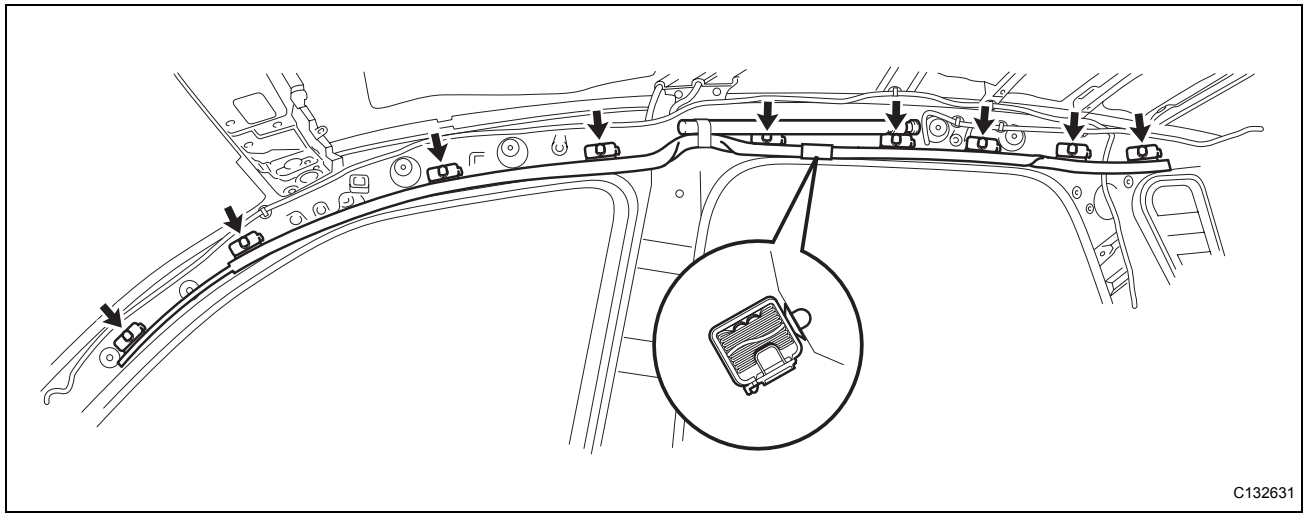


4. REMOVE CURTAIN SHIELD AIRBAG RH

- (a) Using a screwdriver with its tip wrapped in protection tape, release the lock of the airbag connector and then disconnect the connector.
- (b) Remove the 9 bolts and the clamp, and then remove the curtain shield airbag RH.

HINT:

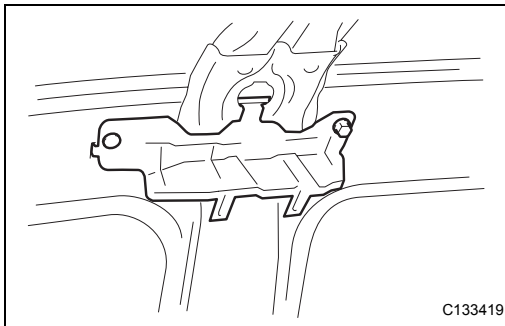
Remove the bolts in order starting from the front of the vehicle.

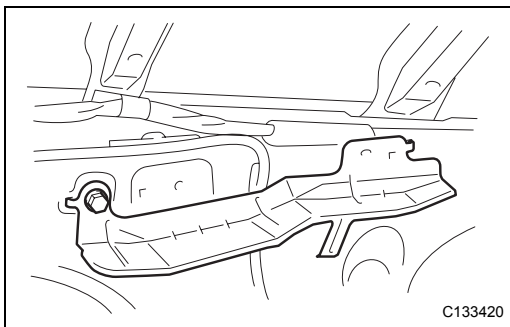


5. INSPECT CURTAIN SHIELD AIRBAG RH (See page RS-3)

6. REMOVE ROOF SIDE RAIL BRACKET RH

- (a) Remove the bolt and the roof side rail bracket RH.

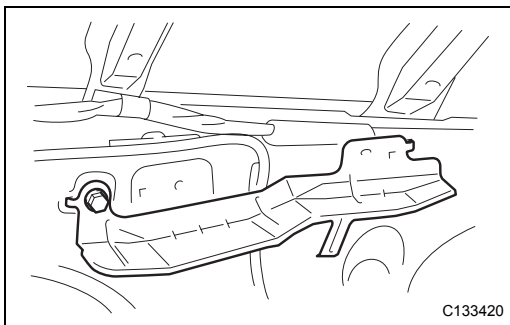




7. REMOVE ROOF SIDE RAIL BRACKET NO. 2

- (a) Remove the bolt, then remove the roof side rail bracket No. 2.

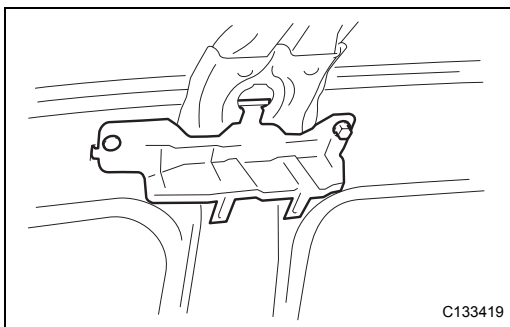
INSTALLATION



1. INSTALL ROOF SIDE RAIL BRACKET NO. 2

- (a) Insert the 2 hooks into the holes on the body, and install the roof side rail bracket No. 2 with the bolt.

Torque: 8 N*m (81 kgf*cm)



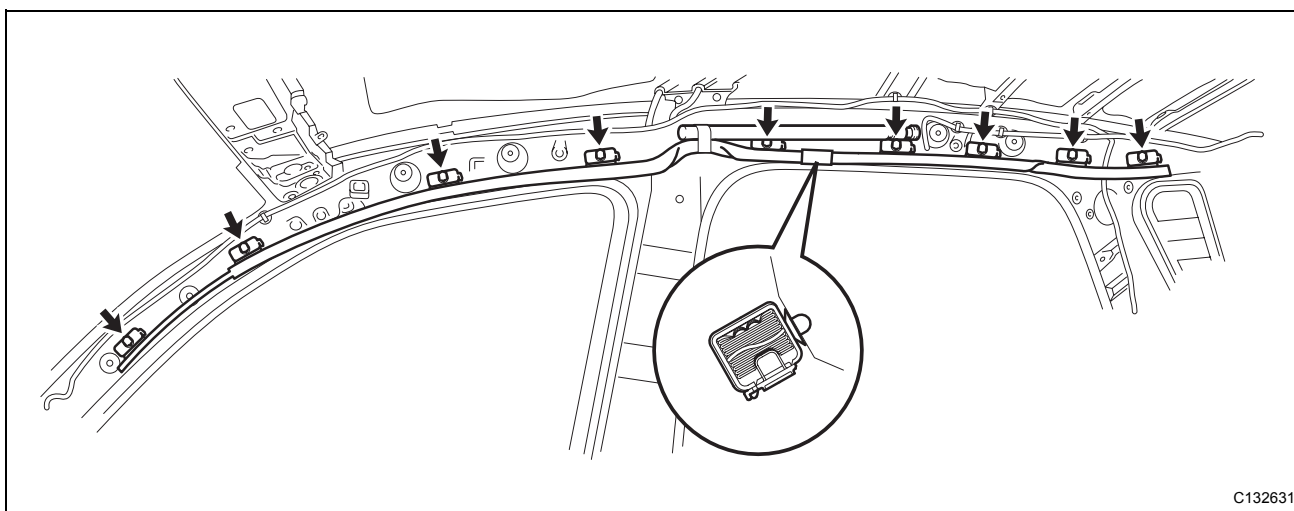
2. INSTALL ROOF SIDE RAIL BRACKET NO. 2 RH

- (a) Insert the hooks into the holes on the body, and install the roof side rail bracket RH with the bolt.

Torque: 8 N*m (81 kgf*cm)

3. INSTALL CURTAIN SHIELD AIRBAG RH

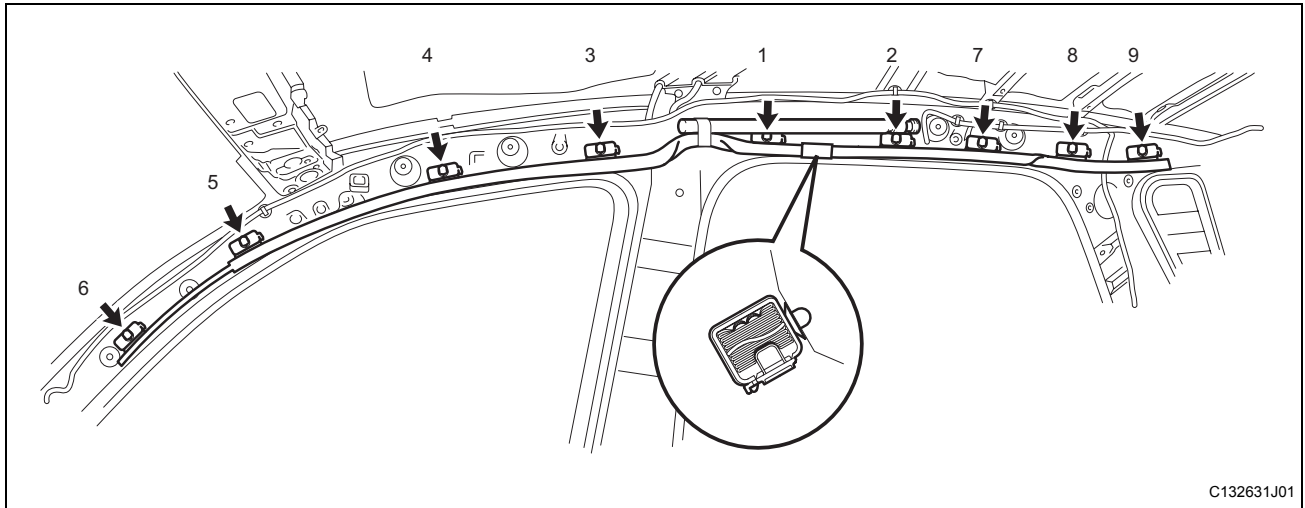
- (a) Temporarily install the curtain shield airbag RH with 9 new bolts and clamp.



NOTICE:

Do not rotate any parts of the curtain shield airbag RH 360° from the correct position by mistake when installing.

(b) Fully tighten the 9 bolts in the order shown in the illustration.

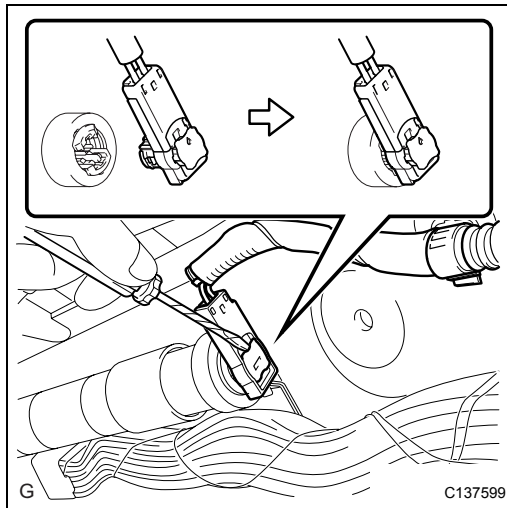


Torque: 8 N*m (81 kgf*cm)

(c) Connect the curtain shield airbag connector to the curtain shield airbag RH and lock it securely in place.

NOTICE:

Securely lock the curtain shield airbag connector in place.



4. INSTALL ROOF HEADLINING ASSEMBLY

(See page IR-1.)

(See page IR-9.)

5. PERFORM INITIALIZATION

(See page SS-10)

DISPOSAL

6. DISPOSE OF CURTAIN SHIELD AIRBAG RH (WHEN INSTALLED IN VEHICLE)

CAUTION:

- Conduct this work outside in a level location where safety can be assured. Avoid conducting this work in residential areas.
- As this work is noisy, make it known to all people in the surrounding areas before proceeding.

HINT:

Perform the same procedure for disposing of the LH side as for the RH.

(a) **DEPLOY CURTAIN SHIELD AIRBAG RH**

(1) Connect the following 3 SSTs.

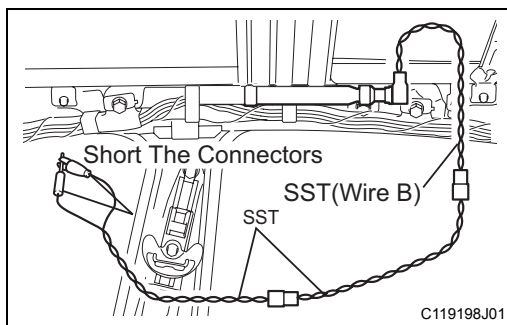
SST 09082-00711, 09082-00802 (09082-10801, 09082-20801)

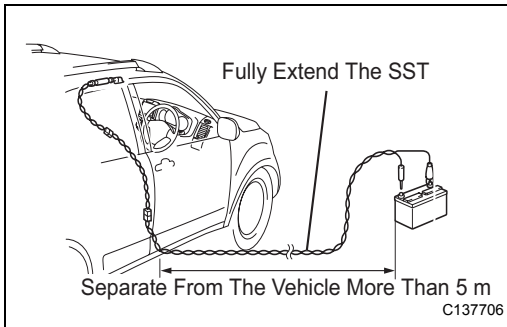
(2) Short circuit the SST alligator clip and terminal.

(3) Connect the SSTs to the curtain shield airbag RH and lock them securely in place.

CAUTION:

Check that there is no looseness in the curtain shield airbag RH.





- (4) Extend the SST as far as possible so that the battery is placed 5 m or more away from the vehicle.

CAUTION:

After connecting the connector, close all the doors and windows.

- (5) Check that the interior and the surrounding area of the vehicle are safe and then attach the alligator clip of the SST to the negative battery terminal.
- (6) Connect the SST terminal to the positive battery terminal and activate the instrument panel passenger airbag assembly.

RS**CAUTION:**

- Before proceeding, check that no one is inside or near the vehicle.
- Before proceeding, call out in a loud voice to warn anyone near the vehicle for scrapping.

HINT:

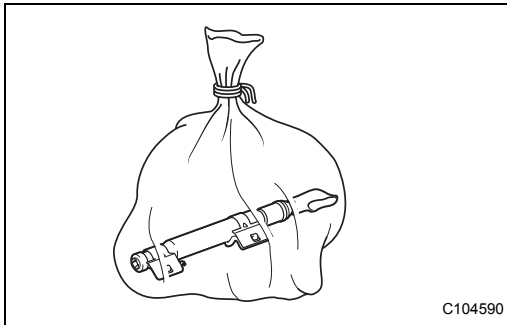
Note that the heat generated by the inflator when the airbag is deployed once will melt the connector of the SST (wire B) that is directly connected to the inflator.

- (b) Procedure for curtain shield airbag RH disposal

- (1) Place the curtain shield airbag RH that has been deployed in a strong, transparent plastic bag, tie it tightly and dispose of it.

CAUTION:

- As parts of the curtain shield airbag RH may get to a temperature of several hundreds of degrees Celsius when it is deployed, do not touch it for at least 30 minutes after deployment.
- Do not apply water to a curtain shield airbag RH that has been deployed.
- Use dust-proof safety glasses and gloves when handling a curtain shield airbag RH that has been deployed.
- Never dispose of a curtain shield airbag RH that has not been activated.
- After completing the work, always wash your hands with water.



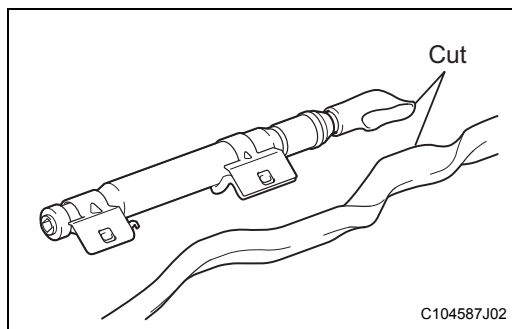
7. DISPOSE OF CURTAIN SHIELD AIRBAG RH (WHEN NOT INSTALLED IN VEHICLE)

CAUTION:

- Conduct this work outside in a level location where safety can be assured. Avoid conducting this work in residential areas.
- Before proceeding, call out in a loud voice to warn anyone near the vehicle for scrapping.

HINT:

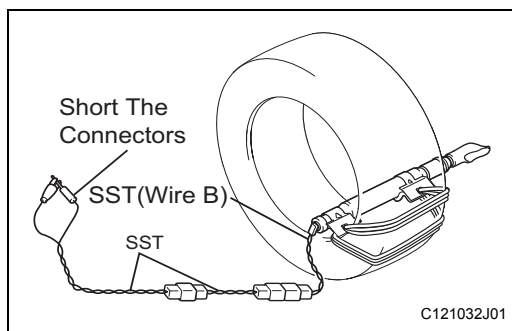
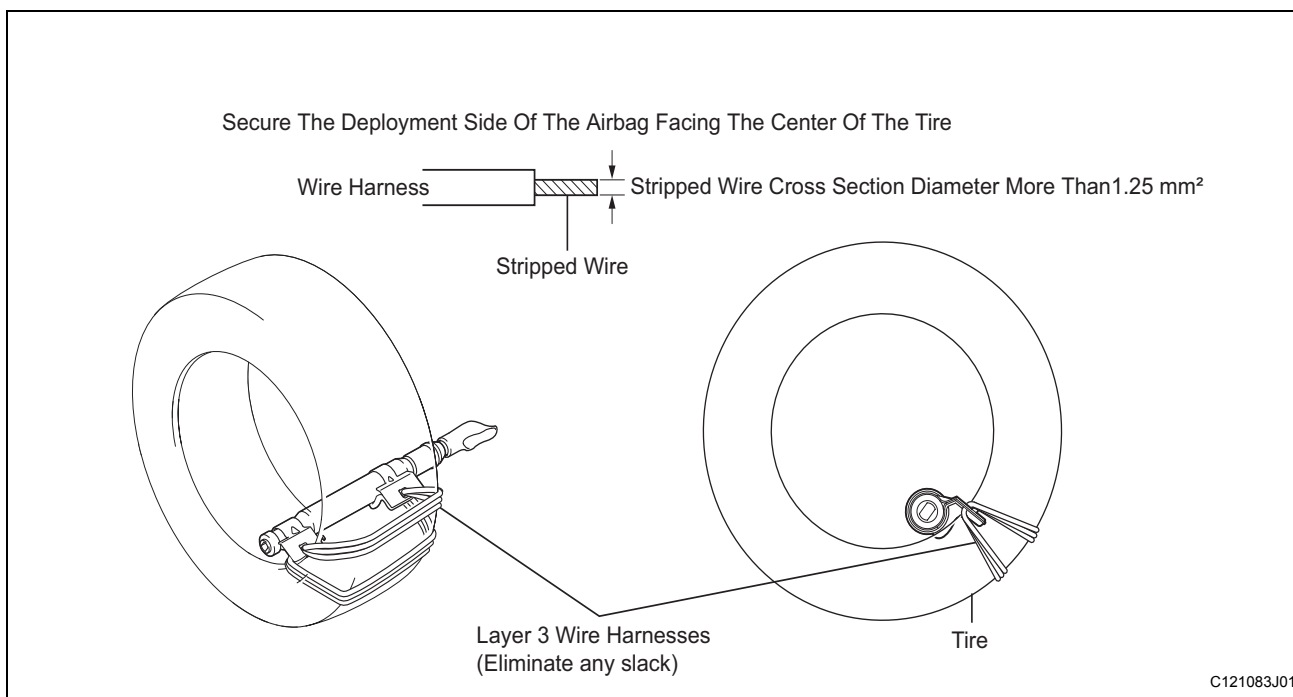
Perform the same procedure for disposing of the LH side as for the RH.



- (a) Cut off the curtain shield airbag RH.
 - (1) Cut off the deployment parts of the curtain shield airbag RH.
- (b) Secure the curtain shield airbag RH.
 - (1) Using a wire harness (core wire area: 1.25 mm² or more), secure the curtain shield airbag RH to a tire.

CAUTION:

- **Strictly adhere to the instructions for the following items. If the instructions are not followed, the curtain shield airbag may deploy, resulting in serious injury.**
- **Tightly wind the wire harness 3 times and make sure that there is no slack as the wire harness is subjected to a force of approximately 1 ton when the curtain shield airbag RH is deployed.**
- **Always tie down the curtain shield airbag RH with the deployment side facing toward the center of the tire, as shown in the illustration.**



- (c) **DEPLOY CURTAIN SHIELD AIRBAG RH**
 - (1) Connect the following 3 SSTs.
 - SST 09082-00711, 09082-00802 (09082-10801, 09082-20801)**
 - (2) Short circuit the SST alligator clip and terminal.
 - (3) Connect the SSTs to the curtain shield airbag RH and lock them securely in place.
 - NOTICE:**
 - Securely lock the SST connectors in place.**
 - (4) Stack 2 tires and place the tire that the curtain shield airbag RH is tied to on top of them, and then place

another tire with a disc wheel on top, as shown in the illustration.

CAUTION:

- Make sure the deployment section (tip) of the curtain shield airbag is facing toward the center of the tire.
- Never face the deployment section (tip) of the curtain shield airbag toward the ground.
- Select tires of the same width so that the deployment part (tip) does not get caught between one tire and the next.

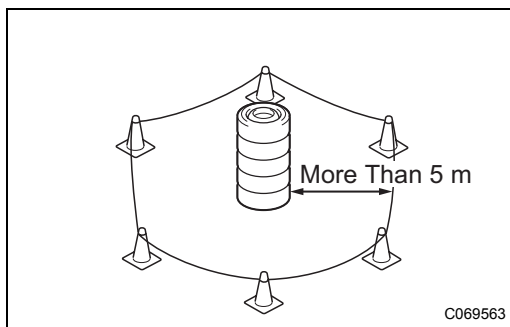
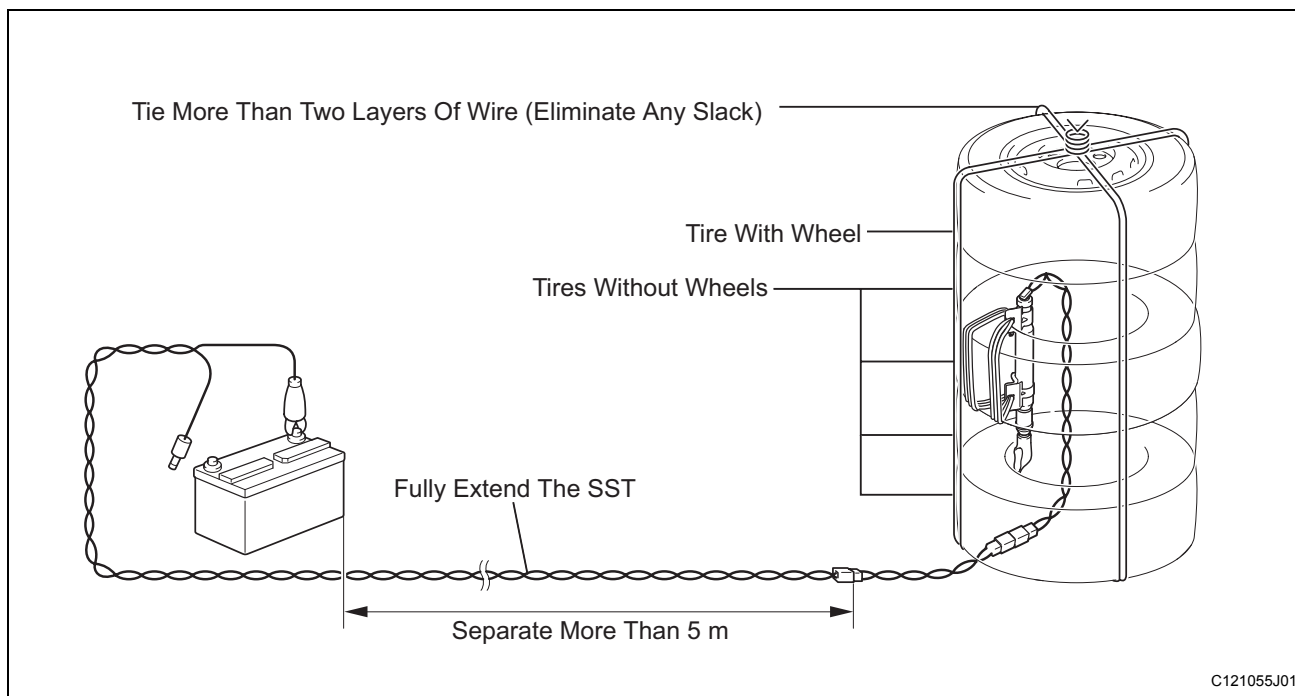
RS

- (5) Tie the tires together by tightly wrapping a wire of 1.8 mm diameter or more (normal steel wire for general use: equivalent to JIS SWM-B) around them 2 or more times, making sure there is no slack.

NOTICE:

Make sure that after the tires are fixed together they are capable of withstanding a load of 1 ton or more.

- (6) Extend the SST as far as possible away from the curtain shield airbag RH so that the battery is placed 5 m or more away from the tires.



- (7) Cordon off an area with a radius of 5 m from the outside edge of the tires with pylons and rope or similar to prevent people from getting any closer.
- (8) Check that the surrounding area is safe and then connect the alligator clip of the SST to the negative battery terminal.

CAUTION:

- Conduct this work outside in a level location where safety can be assured. Avoid conducting this work in residential areas.
- As this work is noisy, make it known to all people in the surrounding areas before proceeding.

RS



- (9) Connect the SST terminal to the positive battery terminal and activate the instrument panel passenger airbag assembly.

CAUTION:

- Before proceeding, check that no one is nearby.
- Before activating pretensioners, call out in a loud voice to warn anyone in or near the work area.

HINT:

Note that the heat generated by the inflator when the airbag is deployed once will melt the connector of the SST (wire B) that is directly connected to the inflator.

- (d) Procedure for curtain shield airbag RH disposal
- (1) Place the curtain shield airbag RH that has been deployed in a strong, transparent plastic bag, tie it tightly and dispose of it.

CAUTION:

- As parts of the curtain shield airbag RH may get to a temperature of several hundreds of degrees Celsius when it is deployed, do not touch it for at least 30 minutes after deployment.
- Do not apply water to a curtain shield airbag RH that has been deployed.
- Use dust-proof safety glasses and gloves when handling a curtain shield airbag RH that has been deployed.
- Never dispose of a curtain shield airbag RH that has not been activated.
- After completing the work, always wash your hands with water.

