



# INSTRUCTIONS

-J03640

REV. 2005-08-04

## ADVANCED AUDIO XM SATELLITE RADIO KIT

### GENERAL

#### Kit Number

76404-06

#### Models

This kit fits 2006 and later FLHT (Electra Glide®), FLHTC (Electra Glide Classic), FLHTCU (Ultra Classic® Electra Glide), FLHX (Street Glide™) and FLTR (Road Glide®) model motorcycles.

XM satellite radio is available within the continental United States. It is not available in Alaska or Hawaii.

#### Additional Parts Required

**FLHT models** will require prior installation of an Advanced Audio AM/ FM/ CD Radio Kit (Part Number 76412-06) and an AM/ FM Antenna Kit (Part Number 76325-06 or 76317-06).

Unless one has already been fitted as part of another Advanced Audio kit installation:

**FLHT, FLHTC, and FLHX models** will require the additional purchase of a Non-Ultra Overlay Harness (Part Number 70169-06) and a left-hand Antenna Bracket (Part Number 76456-06).

**FLHTCU models** will require the additional purchase of an Ultra Overlay Harness (Part Number 70164-06) and a left-hand Antenna Bracket (Part Number 76456-06).

**FLTR models** will require the additional purchase of a Non-Ultra Overlay Harness (Part Number 70169-06) and an Antenna Bracket (Part Number 76316-06).

If two modules are already installed on top of the radio, two Dual-Lock™ mounts, Part Number 76434-06, will be needed.

These items are available from a Harley-Davidson Dealer.

### WARNING

**The rider's safety depends upon the correct installation of this kit. Use the appropriate service manual procedures. If the procedure is not within your capabilities or you do not have the correct tools, have a Harley-Davidson dealer perform the installation. Improper installation of this kit could result in death or serious injury. (00333a)**

#### NOTE

*This instruction sheet references Service Manual information. A Service Manual for your model motorcycle is required for this installation and is available from a Harley-Davidson Dealer.*

### Electrical Overload

#### NOTICE

**It is possible to overload your motorcycle's charging system by adding too many electrical accessories. If your combined electrical accessories operating at any one time consume more electrical current than your vehicle's charging system can produce, the electrical consumption can discharge the battery and cause vehicle electrical system damage. See a Harley-Davidson dealer for advice about the amount of current consumed by additional electrical accessories, or for necessary wiring changes. (00211b)**

### WARNING

**When installing any electrical accessory, be certain not to exceed the maximum amperage rating of the fuse or circuit breaker protecting the affected circuit being modified. Exceeding the maximum amperage can lead to electrical failures, which could result in death or serious injury. (00310a)**

The XM Radio requires up to **400 milliamps** additional current from the electrical system.

#### Kit Contents

See Figure 6 and Table 1.

### INSTALLATION

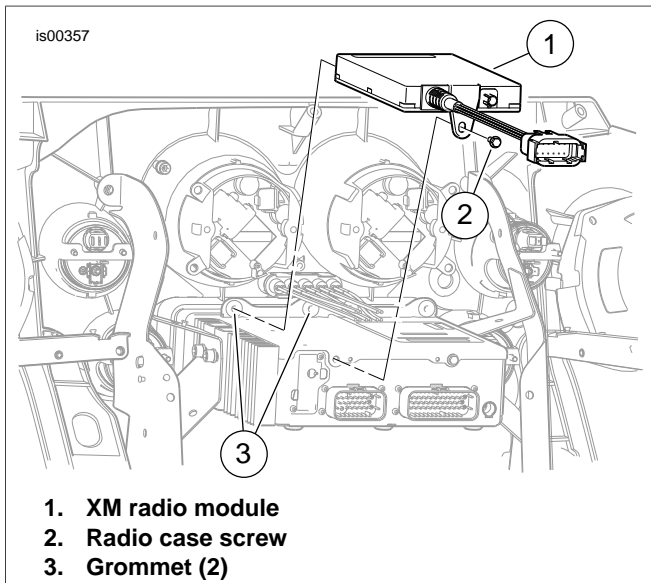
### WARNING

**To prevent accidental vehicle start-up, which could cause death or serious injury, remove maxi-fuse before proceeding. (00251a)**

1. Refer to the Service Manual and follow the instructions given to remove the maxi-fuse.
2. Remove the outer fairing and windshield. Refer to OUTER FAIRING/WINDSHIELD REMOVAL in the Service Manual.

#### NOTE

*If another module has been installed in the location reserved for the XM radio module, relocate **that** module per the instructions supplied with that kit.*



**Figure 1. XM Radio Module Installation**

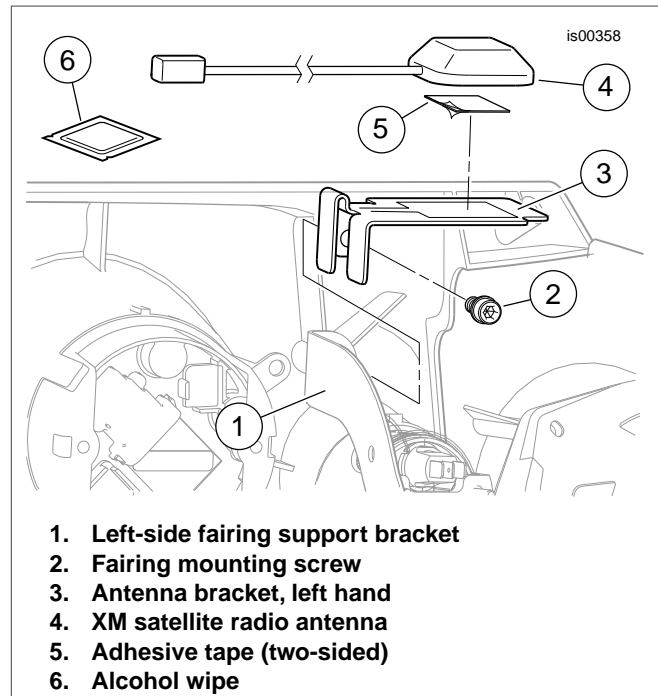
3. See Figure 1. Locate the XM radio module (1) on top of the AM-FM radio case:
  - a. Remove the screw (2) at the back of the radio.
  - b. Position the XM radio module on top of the AM-FM radio, with the metal cones on one end of the module fitting firmly into the leftmost rubber grommets (3) at the front of the radio.
  - c. Fasten the module to the radio with the radio case screw (2). Tighten to 35-45 **in-lbs** (4.0-5.1 Nm).

4. Obtain the antenna bracket (purchased separately).
 

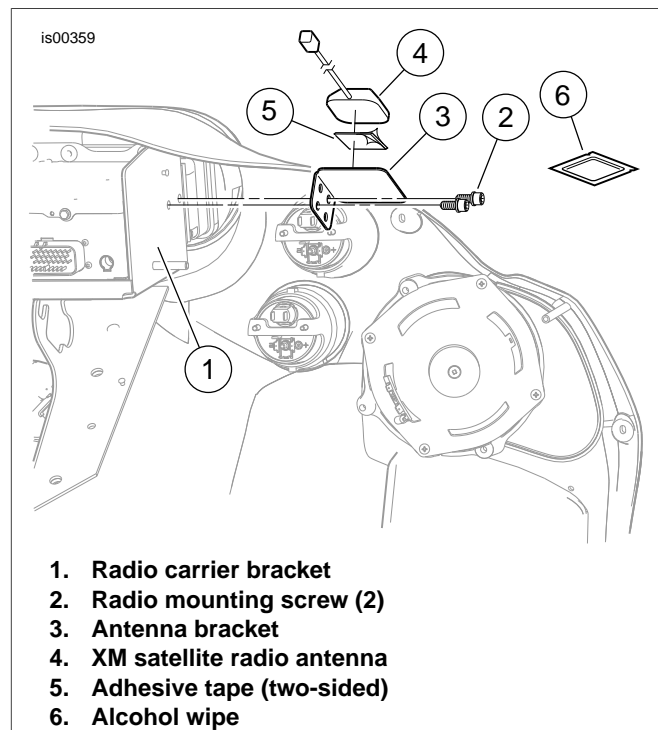
**FLH models:** See Figure 2. Remove the fairing mounting screw (2) at the top of the left-side fairing support bracket (1). Clip the antenna bracket (3) over the top edge of the support bracket, and fasten the antenna bracket through the support bracket to the inner fairing with the screw removed earlier. Tighten to 20-30 **in-lbs** (2.3-3.4 Nm).

**FLT models:** See Figure 3. Remove the left-side radio mounting screws (2). Position the antenna bracket (3) to the side of the radio carrier bracket (1) with the top plate horizontal, lining up two of the diagonal holes in the antenna bracket with the radio mounting holes. Fasten the antenna bracket through the radio carrier bracket to the radio with the screws removed earlier. Tighten to 35-45 **in-lbs** (4.0-5.1 Nm).

5. **All models:** Obtain the XM radio antenna (4), two-sided adhesive tape (5) and alcohol wipe (6) from the kit. Use the alcohol wipe to thoroughly clean the inscribed diagram area on the horizontal antenna mounting surface of the antenna bracket, and the bottom (mounting) surface of the antenna.
6. Peel the liner from one side of the tape, and apply the tape squarely to the bottom surface of the antenna.
7. Peel the liner from the exposed side of the adhesive tape on the antenna base.
8. Position the antenna over the diagram on the bracket without touching the adhesive to the bracket. Center the antenna over the diagram with the antenna cable toward the radio.



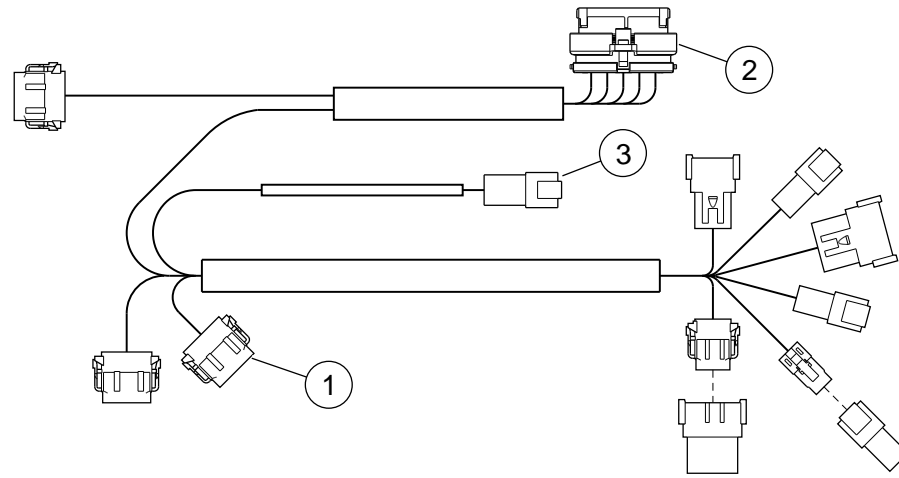
**Figure 2. XM Radio Antenna Mounting (FLH Models)**



**Figure 3. XM Radio Antenna Installation (FLT Models)**

9. Press the antenna squarely and firmly onto the bracket, and hold pressure for about 60 seconds. After releasing pressure, avoid direct contact with the antenna for about 20 minutes.
10. Insert the pink connector on the antenna cable into the mating pink connector on the back of the XM radio module.
11. Use tie straps from the kit to tie the antenna wire to the existing harnesses inside the fairing and loop the excess wire together.

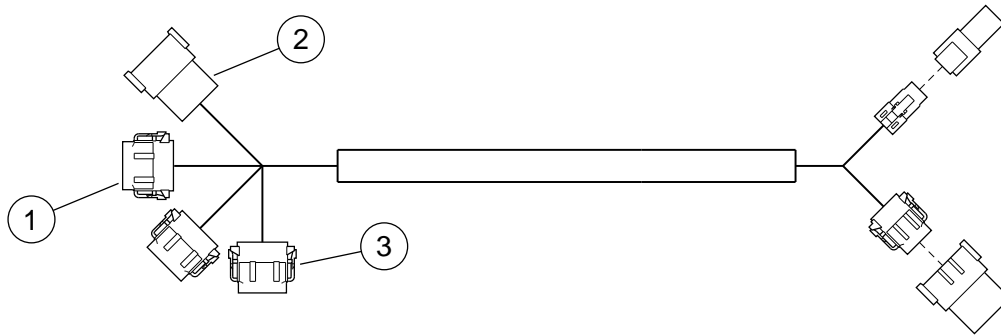
is00364



1. 12-place socket housing [185], labelled "XM" to XM satellite radio module
2. 35-place socket housing [28] to AM/ FM radio
3. 6-place pin housing [6A], labelled "Interconnect"

Figure 4. Non-Ultra Overlay Harness

is00365



1. 12-place socket housing [184], labelled "CB"
2. 12-place pin housing [184]
3. 12-place socket housing [185], labelled "XM"

Figure 5. Ultra Overlay Harness

12. Obtain the overlay harness (purchased separately), unless already installed.

**FLHT, FLHTC, FLHX and FLTR models:** See Figure 4.

- a. Plug the overlay harness 12-place socket housing (1) labelled "XM" [185] into the pin housing coming from the back of the XM radio module.
- b. Plug the 35-place radio socket housing [28] (2) into the radio.
- c. Locate the interconnect harness audio connector [6B] near the back of the radio. Plug 6-way pin housing [6A] (3) on the overlay harness into socket housing [6B].

**FLHTCU models:** See Figure 5.

- a. Unplug the two halves of the 12-place CB connector [184].
- b. Plug the overlay harness (C) 12-place socket housing (1) labelled "CB" [184] into pin housing [184A] coming from the back of the CB module.
- c. Plug the overlay harness 12-place pin housing (2) (also labelled "CB") [184] into the audio harness connector [184B].
- d. Plug the overlay harness 12-place socket housing (3) labelled "XM" [185] into the pin housing coming from the back of the XM radio module.

13. Use tie straps from the kit to fasten the overlay harness to the existing harnesses inside the fairing.

14. Verify that the Ignition/ Light Key Switch is in the OFF position. Refer to the Service Manual and follow the instructions given to re-install the maxi-fuse.

15. Test the XM radio and the rest of the sound system for proper operation.

16. Re-install the outer fairing and windshield. Refer to OUTER FAIRING/ WINDSHIELD INSTALLATION in the Service

Manual.

### SERVICE PARTS

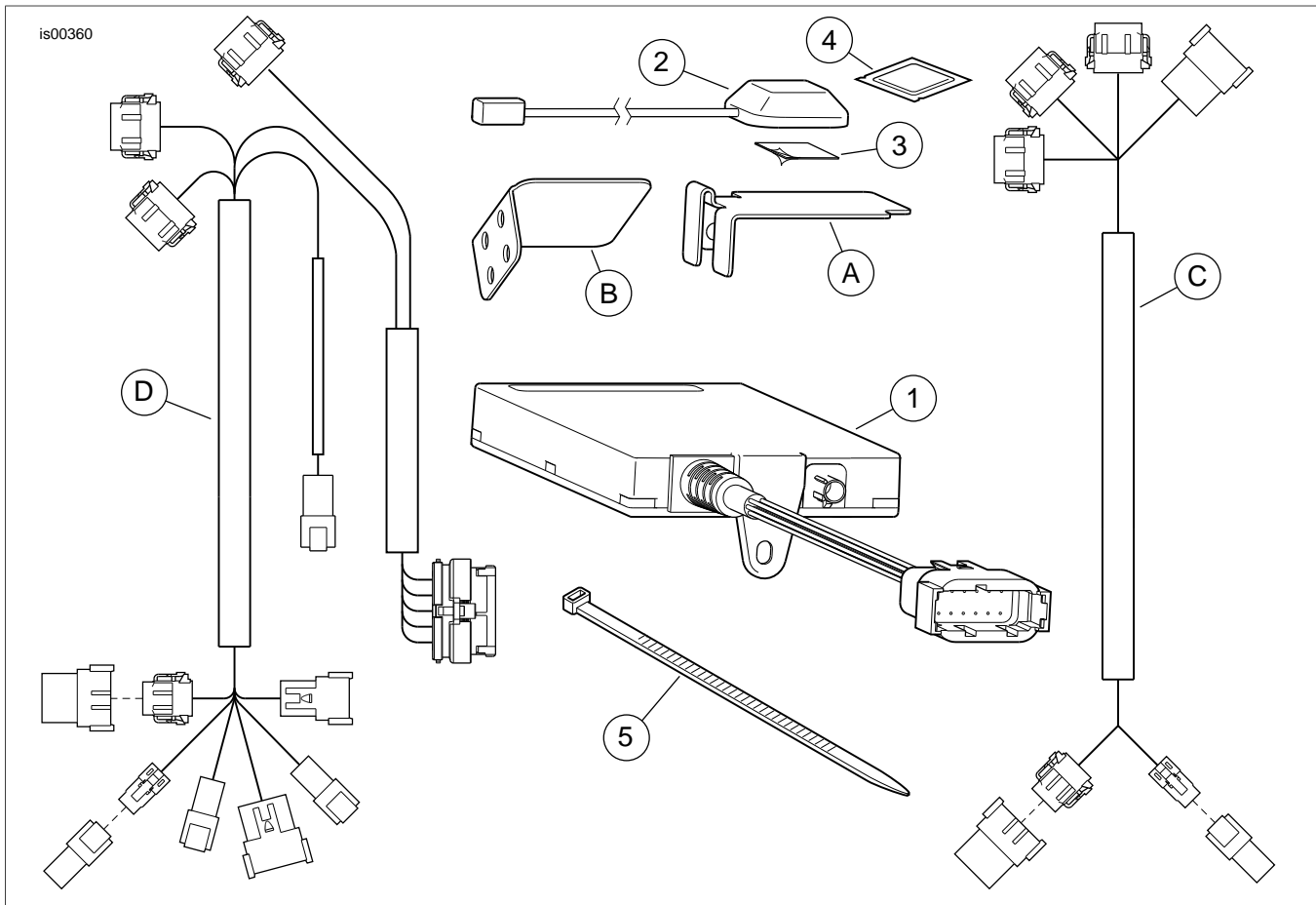


Figure 6. Service Parts, Touring XM Radio Kit

Table 1. Service Parts Table

Item	Description (Quantity)	Part Number
1	XM satellite radio module	Not Sold Separately
2	XM radio antenna	76337-06A
3	Adhesive tape (two-sided)	Not Sold Separately
4	Alcohol wipe	74678-00Y
5	Tie wrap (3)	10181
6	Owner's Manual (not shown)	76405-06
<b>Items mentioned in text, but not included in kit:</b>		
A	Antenna Bracket, left-hand (FLH)	
B	Antenna Bracket (FLT)	
C	Ultra overlay harness	
D	Non-Ultra overlay harness	