

LESLIE 9100 CONSOLE CONNECTOR KIT INSTALLATION INSTRUCTIONS
 For Use With: HAMMOND Models A-100, RT2, RT3, D-100
 LESLIE 900 Speaker

MULTIPLE SPEAKER INSTALLATION: For complete information, see the service manual of the specific model Leslie speaker to be added.

CONTENTS OF KIT:

1 Console Connector	043604	1 Reverb Control	
1 Extension Cable	043612	brown	042564
1 9-Conductor Cable	021600	ebony	042572
1 Instructions	043661	ivory	042580
10 Insulated Staples	028464		
1 Oiler	053025	1 Tremolo Control	
4 Screws, 8 X 1/2	029132	brown	042606
6 Screws, 8 X 1/2	029124	ebony	042614
12 Wire Nuts	028076	ivory	042622
1 Cable Assembly, Red/Black, 24"	043679		
		1 Echo Control	
		brown	032243
		ebony	032250
		ivory	03226B

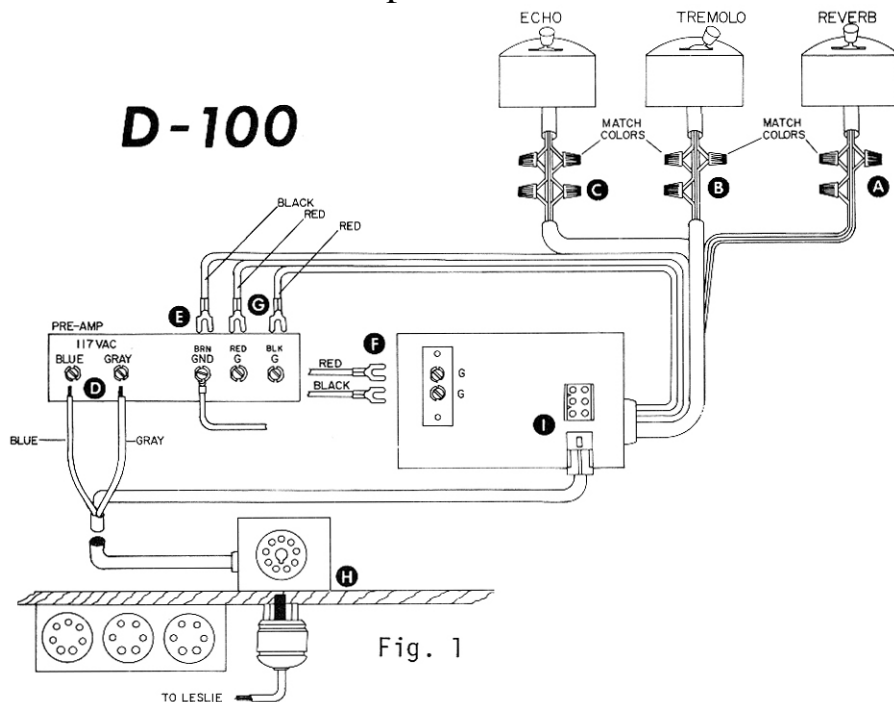
TO INSTALL THE KIT:

1. Mount the Echo, Tremolo and Reverb control switches to the wooden rail in front of the lower manual using the wood screws provided.
2. Route the control cables under the lower manual, through the keyboard shelf, and into the amplifier section of the console.
3. Mounting Console Connector Chassis:

D-100, RT2, RT3: Mount Console Connector Chassis to right of organ pre-amplifier above tone generator support shelf. (See "I" on Figs. 1 and 2).

A-100: Mount Console Connector Chassis to left of organ pre-amplifier under tone generator support shelf. (See "I" on Fig. 3).
4. Connect the three wires from the REVERB control and the RED, WHITE, and BLACK TWISTED wires from the connector chassis using the wire nuts provided. MATCH COLORS. (see "A" on Figs. 1,2 and 3) .
5. Connect the three wires from the TREMOLO control and the three JACKETED wires from the connector chassis using the wire nuts provided. MATCH COLORS. (See "B" on Figs. 1,2 and 3).

6. Connect the four wires from the ECHO control and the four JACKETED wires from the connector chassis using the wire nuts provided. MATCH COLORS. (See "C" on Figs. 1, 2 and 3).
 7. Connect the BLUE and GRAY extension cable wires to the 117VAC terminals behind the protective cover on the console Pre-amp. (See "D" on Figs. 1, 2, and 3).
 8. Connect the BLACK connector wire to the "GND" terminal on the console Pre-amp. (See "E" on Figs. 1,2 and 3).
 9. Remove the RED and BLACK wires from the two "G" terminals on the console Pre-amp and connect them to the two screw terminals on the connector chassis. (See "F" on Figs. 1, 2 and 3) .
 10. Strip ends of red and black wires removed from "G" Terminals. Now add them to matching red and black leads supplied in hardware package, using the two wire nuts provided. Connect ends of these extension wires to the two screw terminals on connector chassis. (See "F" on Figs. 1, 2 and 3).
 11. Connect the two RED connector wires to the two "G" terminals on the console Pre-amp. (See "G" on Figs. 1, 2 and 3).
- NOTE: Terminals in steps 8-11 may be solder-type terminals. If this is the case, remove the spade lugs from the connector wires and solder the wires to the terminals.
12. Plug the Leslie Speaker cable into the socket on the extension chassis.
 13. Adjust the volume as outlined on the speaker back card and in the Leslie Service Manual. The installation is now complete.



RT2, RT3

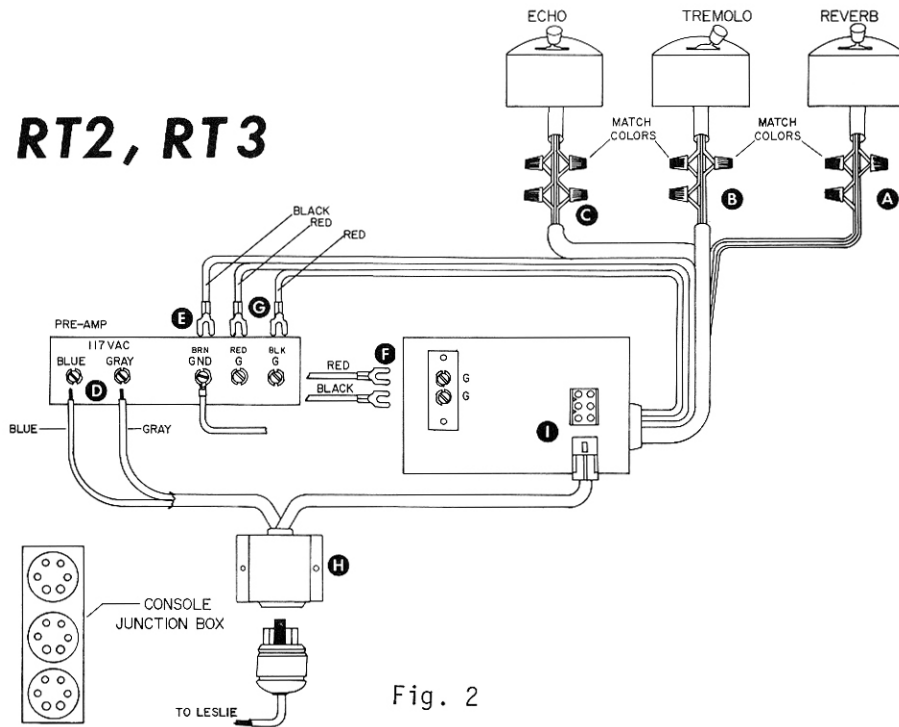


Fig. 2

A-100

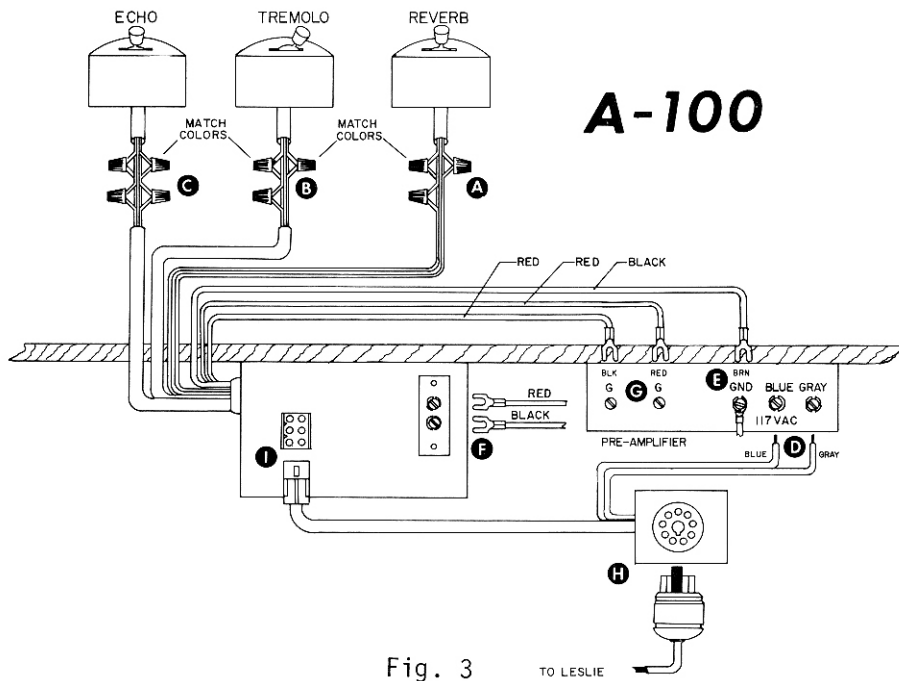


Fig. 3

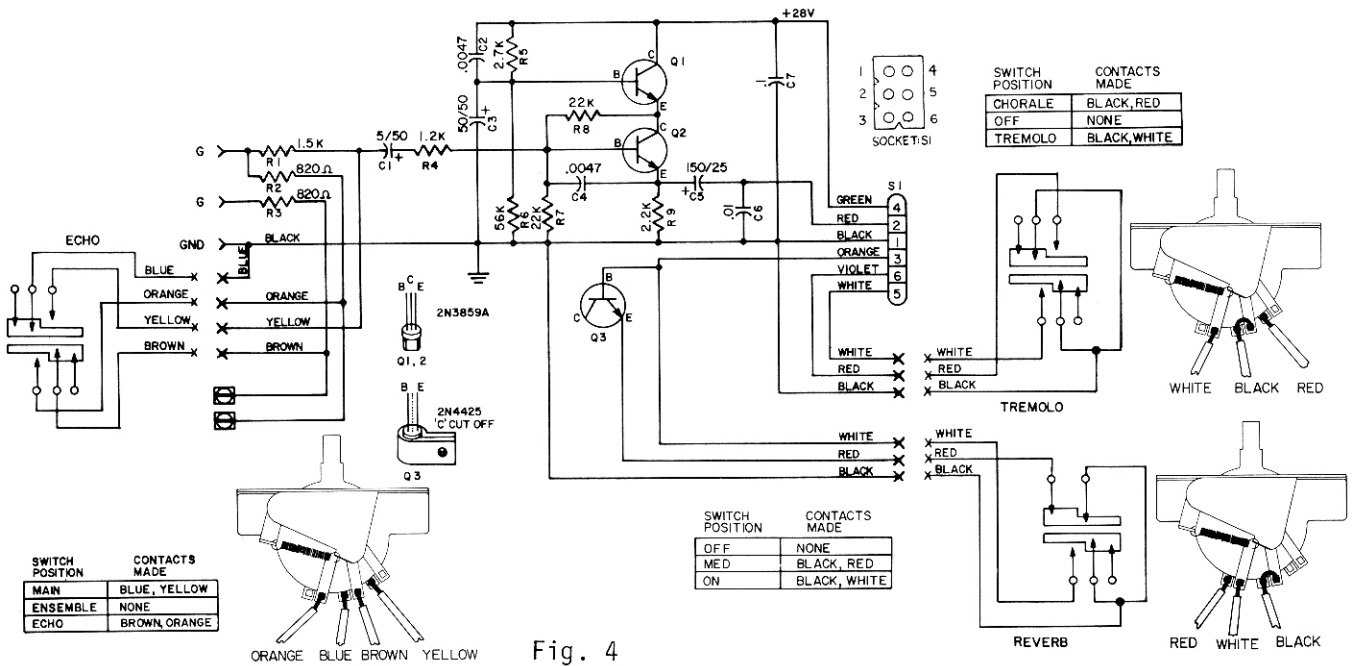


Fig. 4

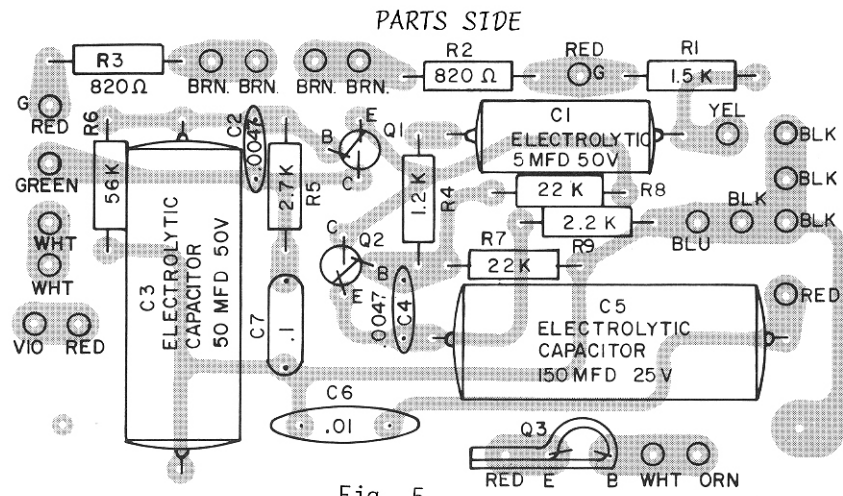


Fig. 5

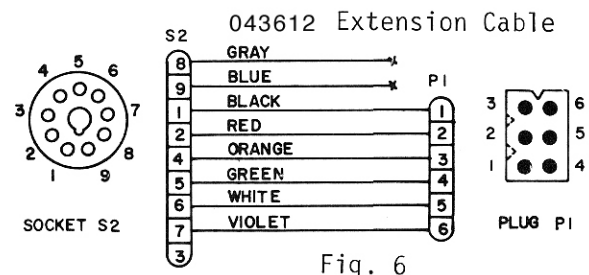


Fig. 6

PARTS LIST

CONSOLE CONNECTOR

Chassis	042390
Circuit Assy	042457
S1	042119
S1, Insert	023556
C1	028589
C2, C4	028431
C3	025262
C5	031294
C6	060467
C7	022251
R1	022277
R2, R3	028373
R4	018036

CONSOLE ADAPTER

R5	042549
R6	024133
R7, R8	028530
R9	028571
Q1, Q2	061366
Q3	033563
043612 Extension	
Chassis	043646
S2	061713
P1	023259
P1 Insert	023309

ECHO CONTROL

Echo Switch Case	
brown	029199
ebony	029207
ivory	029215
Switch Case Cover	
brown	048702
ebony	048710
ivory	048728
Switch Knob	
brown	048066
ebony	048074

TREMOLO CONTROL

Tremolo Switch Case	
brown	040543
ebony	040550
ivory	040568
Switch Case Cover	
brown	048702
ebony	048710
ivory	048728
Switch Knob	
brown	048066
ebony	048074

REVERB CONTROL

Reverb Switch Case	
brown	040576
ebony	040584
ivory	040592
Switch Case Cover	
brown	048702
ebony	048710
ivory	048728
Switch Knob	
brown	048066
ebony	048074

Switch Retainer (2)	048116
Switch Only	029173

Switch Retainer (2)	048116
Switch Only	029173

Switch Retainer (2)	048116
Switch Only	029173

ORDERING PARTS:

Standard hardware, connectors, and electronic components should be purchased locally. Non-standard items may be obtained through a Leslie speaker dealer. Orders should include part numbers shown above.