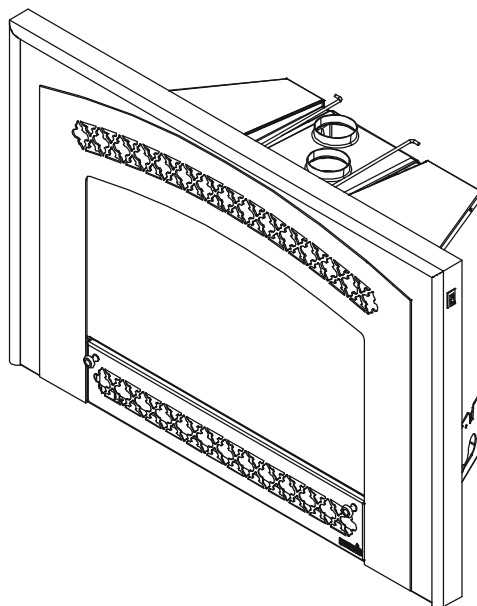


Installers Guide

Models:
FB-Grand
FB-IN
CFX-Grand-B
CFX-IN-B



Underwriters
Laboratories Listed

WARNING: IF THE INFORMATION IN THESE INSTRUCTIONS IS NOT FOLLOWED EXACTLY, A FIRE OR EXPLOSION MAY RESULT CAUSING PROPERTY DAMAGE, PERSONAL INJURY, OR DEATH.

- Do not store or use gasoline or other flammable vapors and liquids in the vicinity of this or any other appliance.
- **What to do if you smell gas**
 - Do not try to light any appliance.
 - Do not touch any electrical switch.
 - Do not use any phone in your building.
 - Immediately call your gas supplier from a neighbor's phone. Follow the gas supplier's instructions.
 - If you cannot reach your gas supplier, call the fire department.
- Installation and service must be performed by a qualified installer, service agency, or the gas supplier.

READ THIS MANUAL BEFORE INSTALLING OR OPERATING THIS APPLIANCE. THIS *INSTALLERS GUIDE* MUST BE LEFT WITH APPLIANCE FOR FUTURE REFERENCE.

WARNING: IMPROPER INSTALLATION, ADJUSTMENT, ALTERATION, SERVICE OR MAINTENANCE CAN CAUSE INJURY OR PROPERTY DAMAGE. REFER TO THIS MANUAL. FOR ASSISTANCE OR ADDITIONAL INFORMATION CONSULT A QUALIFIED INSTALLER, SERVICE AGENCY, OR THE GAS SUPPLIER.


1. This appliance may be installed in an after-market, permanently located, manufactured (mobile) home, where not prohibited by local codes.
2. This appliance is only for use with the type of gas indicated on the rating plate. This appliance is not convertible for use with other gases, unless a certified kit is used.


Printed in U.S.A. Copyright 2002,
Heat-N-Glo, a division of Hearth Technologies Inc.
20802 Kensington Boulevard, Lakeville, MN 55044


Please contact your Heat-N-Glo dealer with any questions or concerns. For the number of your nearest Heat-N-Glo dealer, please call 1-888-427-3973.

This product is covered by one or more of the following patents: (United States) 4,112,913; 4,408,594; 4,422,426; 4,424,792; 4,520,791; 4,793,322; 4,852,548; 4,875,464; 5,000,162; 5,016,609; 5,076,254 5,191,877; 5,218,953; 5,328,356; 5,429,495; 5,452,708; 5,542,407; 5,613,487; (Australia) 543790; 586383; (Canada) 1,123,296; 1,297,746; 2,195,264; (Mexico) 97-0457; (New Zealand) 200265; or other U.S. and foreign patents pending.


SAFETY AND WARNING INFORMATION


 **READ** and **UNDERSTAND** all instructions carefully before starting the installation. **FAILURE TO FOLLOW** these installation instructions may result in a possible fire hazard and will void the warranty.


 Prior to the first firing of the fireplace, **READ** the Using Your Fireplace section of the *Owners Guide*.


 **DO NOT USE** this appliance if any part has been under water. Immediately **CALL** a qualified service technician to inspect the unit and to replace any part of the control system and any gas control which has been under water.


 **THIS UNIT IS NOT FOR USE WITH SOLID FUEL.**


 Installation and repair should be **PERFORMED** by a qualified service person. The appliance and venting system should be **INSPECTED** before initial use and at least annually by a professional service person. More frequent cleaning may be required due to excessive lint from carpeting, bedding material, etc. It is **IMPERATIVE** that the unit's control compartment, burners, and circulating air passageways **BE KEPT CLEAN** to provide for adequate combustion and ventilation air.


 Always **KEEP** the appliance clear and free from combustible materials, gasoline, and other flammable vapors and liquids.


 **NEVER OBSTRUCT** the flow of combustion and ventilation air. Keep the front of the appliance **CLEAR** of all obstacles and materials for servicing and proper operations.


 Due to the high temperature, the appliance should be **LOCATED** out of traffic areas and away from furniture and draperies. Clothing or flammable material **SHOULD NOT BE PLACED** on or near the appliance.


 Children and adults should be **ALERTED** to the hazards of high surface temperature and should **STAY AWAY** to avoid burns or clothing ignition. Young children should be **CAREFULLY SUPERVISED** when they are in the same room as the appliance.


 These units **MUST** use one of the vent systems described in the Installing the Fireplace section of the *Installers Guide*. **NO OTHER** vent systems or components **MAY BE USED**.


 This gas fireplace and vent assembly **MUST** be vented directly to the outside and **MUST NEVER** be attached to a chimney serving a separate solid fuel burning appliance. Each gas appliance **MUST USE** a separate vent system. Common vent systems are **PROHIBITED**.


 **INSPECT** the external vent cap on a regular basis to make sure that no debris is interfering with the air flow.


 The glass door assembly **MUST** be in place and sealed, and the trim door assembly **MUST** be in place on the fireplace before the unit can be placed into safe operation.

 **DO NOT OPERATE** this appliance with the glass door removed, cracked, or broken. Replacement of the glass door should be performed by a licensed or qualified service person. **DO NOT** strike or slam the glass door.

 The glass door assembly **SHALL ONLY** be replaced as a complete unit, as supplied by the gas fireplace manufacturer. **NO SUBSTITUTE** material may be used.

 **DO NOT USE** abrasive cleaners on the glass door assembly. **DO NOT ATTEMPT** to clean the glass door when it is hot.

 Turn off the gas before servicing this appliance. It is recommended that a qualified service technician perform an appliance check-up at the beginning of each heating season.

 Any safety screen or guard removed for servicing must be replaced before operating this appliance.


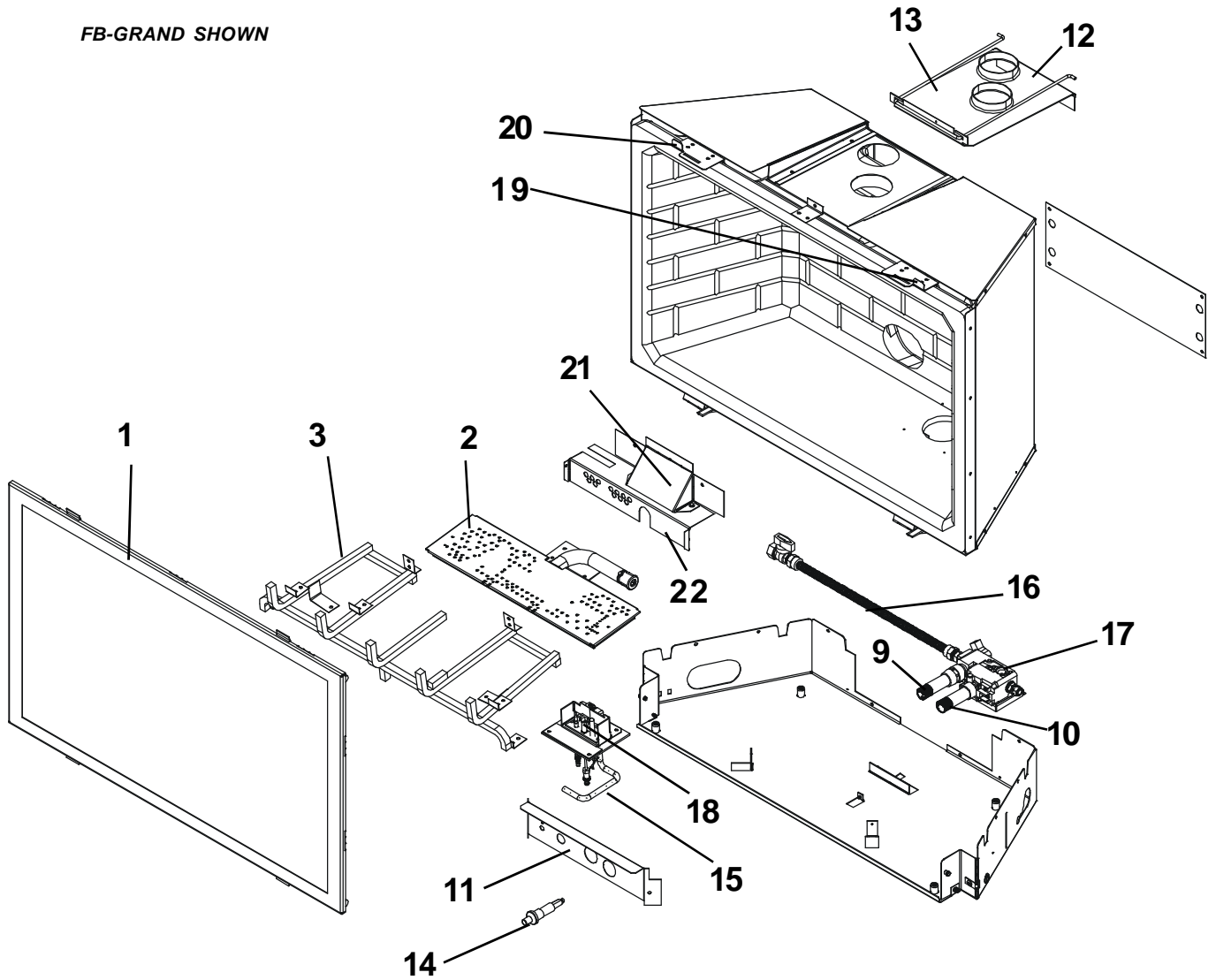
 **DO NOT** place furniture or any other combustible household objects within 36 inches of the fireplace front.

TABLE OF CONTENTS

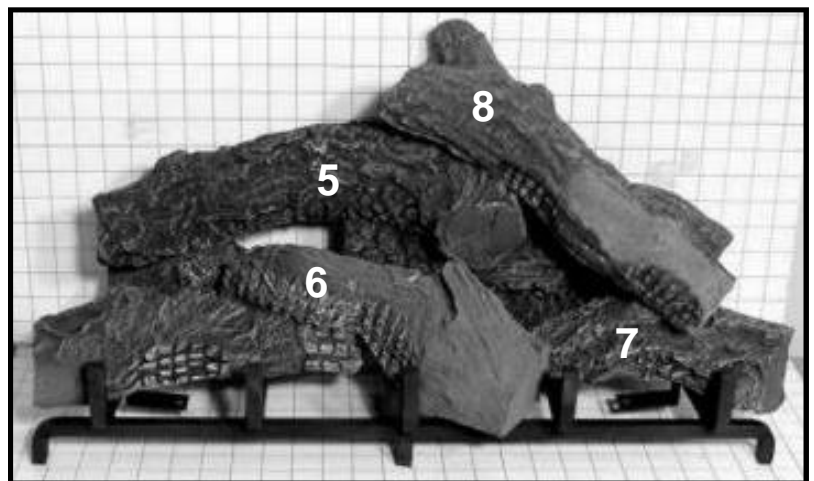
Safety and Warning Information	2
◆ Service Parts Lists	4
Section 1: Approvals and Codes	10
Appliance Certification	10
Installation Codes	10
◆ High Altitude Installations	10
Section 2: Getting Started	11
Introducing the Heat-N-Glo Gas Appliances	11
Pre-installation Preparation	11
Venting and Installation	11
Section 3: Installing the Insert	14
Step 1 Installing the Vent System	14
Step 2 Positioning, Leveling, and Securing the Insert	18
Step 3 The Gas Control Systems	18
Step 4 The Gas Supply Line	18
Step 5 Gas Pressure Requirements	19
Step 6 Wiring the Appliance	19
Step 7 Installing Logs and Ember Material	21
Shutter Settings	21
Positioning the Logs	21
Placing the Ember Material	21
Step 8 Installing Trim Surround	21
Step 9 Before Lighting the Appliance	22
Step 10 Lighting the Appliance	22
After the Installation	22
Section 4: Maintaining and Servicing Your Appliance	23

◆ = Contains updated information.

FB-GRAND SHOWN



4 Log Set Assembly



* Part number list on following page.
* La liste des numéros de pièce se trouve à la page suivante.

(NG, LP) Service Parts List / Liste des pièces de rechange**FB-GRAND**

IMPORTANT: THIS IS DATED INFORMATION. The most current information is located on your dealers VIP site. When ordering, supply serial and model numbers to ensure correct service parts. / **IMPORTANT :** L'information fournie dans cette brochure n'est valide que pendant une courte période. Les sites VIP des distributeurs disposent des renseignements les plus récents. Lors d'une commande, veuillez fournir les numéros de série et de modèles pour un remplacement adéquat des pièces.

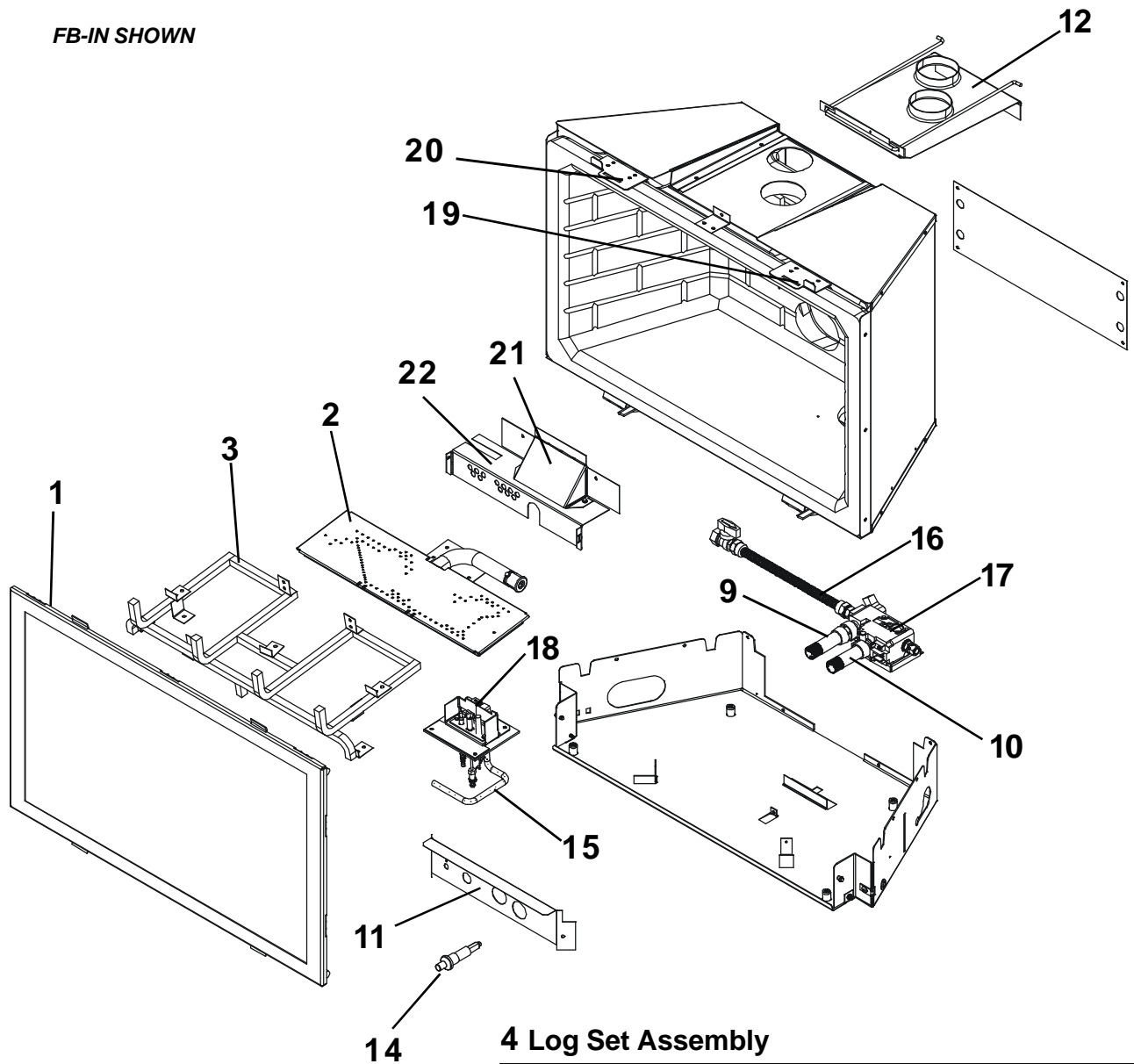
ITEM / PIÈCE	Description	PART NUMBER / N° DE PIÈCE
	ON/OFF Rocker Switch / Interrupteur à bascule marche/arrêt	680-528
	Burner Orifice NG (.125) / Orifice de brûleur GN (.125)	768-801
	Burner Orifice LP (#49) / Orifice de brûleur PL (#49)	065-801
1	Glass Door Assembly, Ceramic / Porte en verre	GLA-FBG
2	Burner NG / Brûleur GN	778-176A
2	Burner LP / Brûleur PL	768-175A
3	Log Grate / Grille de Bûche	768-360A
4	Log Set Assembly / Jeu de Bûches	LOGS-CFXGB
5	Log 1 / Bûche 1	SRV768-701
6	Log 2 / Bûche 2	SRV768-704
7	Log 3 / Bûche 3	SRV768-705
8	Log 4 / Bûche 4	SRV582-705
9	Pilot Control Knob	571-530
10	Flame Control Knob	571-531
11	Valve Cover Plate	768-120
◆	12 Air Passage: Slide Plate Assembly with Handle / Assemblée de Plat de Diapositive(Glissade) avec Poignée	783-108A
◆	13 Slide Plate Handle / Poignée de Plat de Diapositive(Glissade)	768-351
	14 Piezo Ignitor / Allumage Piézo	418-513
	15 Burner Tube / Tube de brûleur	477-301A
◆	16 Flex Ball Valve Assembly / Fléchir l'Assemblée de Soupape de Balle	302-320A
	17 Valve NG / Valve GN	060-522
	17 Valve LP / Valve PL	060-523
	18 Pilot Assembly NG / Module de veilleuse GN	485-510A
	18 Pilot Assembly LP / Module de veilleuse PL	485-511A
◆	19 Glass Tab - Right / Étiquette de Verre - Droit	783-133
◆	20 Glass Tab - Left / Étiquette de Verre - Gauche	783-134
◆	21 Baffle - top / Déconcertez le Sommet	768-148
◆	22 Baffle - bottom / Déconcertez - le fond(bas)	768-146
◆	Pilot Bracket Gasket / Joint de Parenthèse Pilote	768-432
	Pilot Orifice NG / Orifice de veilleuse GN	446-505
	Pilot Orifice LP / Orifice de veilleuse PL	446-517
	Thermocouple / Thermocouple	446-511
	Thermopile / Thermopile	060-512
◆	Pilot Tube / Tube de veilleuse	SRV485-301
	Fan/Blower / Ventilateur	GFK-160A
	Junction Box (Required if installing blower) / Boîtier de dérivation (Exigé, s'installant la soufflerie)	040-250A
	Conversion Kit NG / Module de conversion GN	NGK-FBG
	Conversion Kit LP / Module de conversion PL	LPK-FBG

(NG, LP) Service Parts List / Liste des pièces de rechange**CFX-GRAND-B**

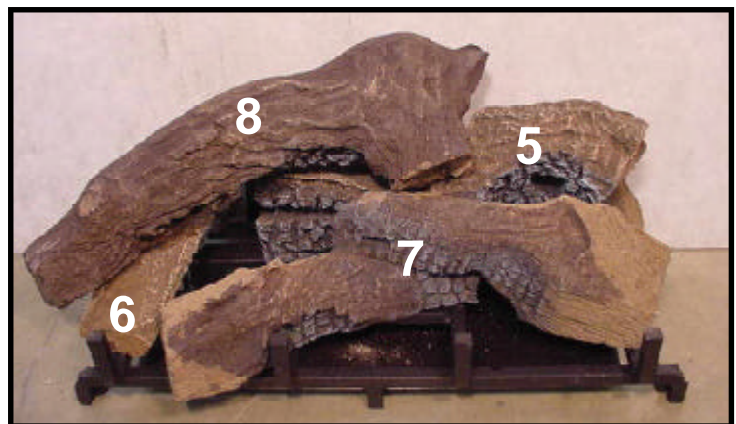
IMPORTANT: THIS IS DATED INFORMATION. The most current information is located on your dealers VIP site. When ordering, supply serial and model numbers to ensure correct service parts. / **IMPORTANT :** L'information fournie dans cette brochure n'est valide que pendant une courte période. Les sites VIP des distributeurs disposent des renseignements les plus récents. Lors d'une commande, veuillez fournir les numéros de série et de modèles pour un remplacement adéquat des pièces.

ITEM / PIÈCE	Description		PART NUMBER / N° DE PIÈCE
	ON/OFF Rocker Switch / Interrupteur à bascule marche/arrêt		680-528
	Burner Orifice NG (.125) / Orifice de brûleur GN (.125)		768-801
	Burner Orifice LP (#49) / Orifice de brûleur PL (#49)		065-801
1	Glass Door Assembly, Ceramic (NG) / Porte en verre	PRE 002108516 POST 002108516	GLA-CFXGB GLA-FBG
1	Glass Door Assembly, Ceramic (LP) / Porte en verre	PRE 002106948 POST 002106948	GLA-CFXGB GLA-FBG
2	Burner NG / Brûleur GN		778-176A
2	Burner LP / Brûleur PL		768-175A
3	Log Grate / Grille de Bûche		768-360A
4	Log Set Assembly / Jeu de Bûches		LOGS-CFXGB
5	Log 1 / Bûche 1		SRV768-701
6	Log 2 / Bûche 2		SRV768-704
7	Log 3 / Bûche 3		SRV768-705
8	Log 4 / Bûche 4		SRV582-705
9	Pilot Control Knob		571-530
10	Flame Control Knob		571-531
11	Valve Cover Plate		768-120
◆	12 Air Passage: Slide Plate Assembly with Handle / Assemblée de Plat de Diapositive(Glissade) avec Poignée		783-108A
◆	13 Slide Plate Handle / Poignée de Plat de Diapositive(Glissade)		768-351
	14 Piezo Ignitor / Allumage Piézo		418-513
	15 Burner Tube / Tube de brûleur		477-301A
◆	16 Flex Ball Valve Assembly / Fléchir l'Assemblée de Soupape de Balle		302-302A
	17 Valve NG / Valve GN		060-522
	17 Valve LP / Valve PL		060-523
	18 Pilot Assembly NG / Module de veilleuse GN		485-510A
	18 Pilot Assembly LP / Module de veilleuse PL		485-511A
◆	19 Glass Tab - right / Étiquette de Verre - droit		783-133
◆	20 Glass Tab - Left / Étiquette de Verre - Gauche		783-134
◆	21 Baffle Top / Déconcertez le Sommet		786-148
◆	22 Baffle - bottom / Déconcertez - le fond(bas)		768-146
◆	Pilot Bracket Gasket / Joint de Parenthèse Pilote		768-432
	Pilot Orifice NG / Orifice de veilleuse GN		446-505
	Pilot Orifice LP / Orifice de veilleuse PL		446-517
	Thermocouple / Thermocouple		446-511
	Thermopile / Thermopile		060-512
	Pilot Tube / Tube de veilleuse		SRV485-301
	Junction Box / Boîtier de dérivation		040-250A
	Conversion Kit NG / Module de conversion GN		NGK-CFXGB
	Conversion Kit LP / Module de conversion PL		LPK-CFXGB

FB-IN SHOWN



* Part number list on following page.
* La liste des numéros de pièce se trouve à la page suivante.



Service Parts List / Liste des pièces de rechange

FB-IN

IMPORTANT: THIS IS DATED INFORMATION. The most current information is located on your dealers VIP site. When ordering, supply serial and model numbers to ensure correct service parts. / **IMPORTANT :** L'information fournie dans cette brochure n'est valide que pendant une courte période. Les sites VIP des distributeurs disposent des renseignements les plus récents. Lors d'une commande, veuillez fournir les numéros de série et de modèles pour un remplacement adéquat des pièces.

ITEM / PIÈCE	DESCRIPTION	PART NUMBER / N° DE PIÈCE
	ON/OFF Rocker Switch / Interrupteur à bascule marche/arrêt	680-528
	Burner Orifice NG (#31) / Orifice de brûleur GN (#31)	506-800
	Burner Orifice LP (#49) / Orifice de brûleur PL (#49)	065-801
1	Glass Door Assembly, Ceramic / Porte en verre	GLA-FBIN
2	Burner NG / Brûleur GN	773-176A
2	Burner LP / Brûleur PL	773-175A
3	Log Grate / Grille de Bûche	773-360A
4	Log Set Assembly / Jeu de Bûches	LOGS-CFXINB
5	Log 1 / Bûche 1	SRV773-701
6	Log 2 / Bûche 2	SRV773-702
7	Log 3 / Bûche 3	SRV768-704
8	Log 4 / Bûche 4	SRV573-702
9	Pilot Control Knob	571-530
10	Flame Control Knob	571-531
11	Valve Cover Plate	768-120
◆ 12	Air Passage: Slide Plate Assembly with Handle / Assemblée de Plat de Diapositive(Glissade) avec Poignée	783-108A
◆ 13	Slide Plate Handle / Poignée de Plat de Diapositive(Glissade)	768-351
14	Piezo Ignitor / Allumage Piézo	418-513
15	Burner Tube / Tube de brûleur	477-301A
◆ 16	Flex Ball Valve Assembly / Fléchir l'Assemblée de Soupape de Balle	302-320A
17	Valve NG / Valve GN	060-522
17	Valve LP / Valve PL	060-523
18	Pilot Assembly NG / Module de veilleuse GN	485-510A
18	Pilot Assembly LP / Module de veilleuse PL	485-511A
◆ 19	Glass Tab - Right / Étiquette de Verre - Droit	783-133
◆ 20	Glass Tab - Left / Étiquette de Verre - Gauche	783-134
◆ 21	Baffle - top / Déconcertez le Sommet	768-148
◆ 22	Baffle - bottom / Déconcertez - le fond(bas)	768-146
◆	Pilot Bracket Gasket / Joint de Parenthèse Pilote	768-432
	Pilot Orifice NG / Orifice de veilleuse GN	446-505
	Pilot Orifice LP / Orifice de veilleuse PL	446-517
	Thermocouple / Thermocouple	446-511
	Thermopile / Thermopile	060-512
	Pilot Tube / Tube de veilleuse	SRV485-301
	Junction Box / Boîtier de dérivation	040-250A
	Conversion Kit NG / Module de conversion GN	NGK-FBIN
	Conversion Kit LP / Module de conversion PL	LPK-FBIN
	Fan Kit / Module de ventilateur	GFK-160A

(NG, LP) Service Parts List / Liste des pièces de rechange**CFX-IN-B**

IMPORTANT: THIS IS DATED INFORMATION. The most current information is located on your dealers VIP site. When ordering, supply serial and model numbers to ensure correct service parts. / **IMPORTANT :** L'information fournie dans cette brochure n'est valide que pendant une courte période. Les sites VIP des distributeurs disposent des renseignements les plus récents. Lors d'une commande, veuillez fournir les numéros de série et de modèles pour un remplacement adéquat des pièces.

ITEM / PIÈCE	DESCRIPTION		PART NUMBER / N° DE PIÈCE
	ON/OFF Rocker Switch / Interrupteur à bascule marche/arrêt		680-528
	Burner Orifice NG (#31) / Orifice de brûleur GN (#31)		506-800
	Burner Orifice LP (#49) / Orifice de brûleur PL (#49)		065-801
1	Glass Door Assembly, Ceramic (NG) / Porte en verre (GN)	PRE 002131269 POST 002131269	GLA-CFXINB GLA-FBIN
1	Glass Door Assembly, Ceramic (LP) / Porte en verre (GN)	PRE 002133705 POST 002133705	GLA-CFXINB GLA-FBIN
2	Burner NG / Brûleur GN		773-176A
2	Burner LP / Brûleur PL		773-175A
3	Log Grate / Grille de Bûche		773-360A
4	Log Set Assembly / Jeu de Bûches		LOGS-CFXINB
5	Log 1 / Bûche 1		SRV773-701
6	Log 2 / Bûche 2		SRV773-702
7	Log 3 / Bûche 3		SRV768-704
8	Log 4 / Bûche 4		SRV573-702
9	Pilot Control Knob		571-530
10	Flame Control Knob		571-531
11	Valve Cover Plate		768-120
◆ 12	Air Passage: Slide Plate Assembly with Handle / Assemblée de Plat de Diapositive(Glissade) avec Poignée		783-108A
◆ 13	Slide Plate Handle / Poignée de Plat de Diapositive(Glissade)		768-351
14	Piezo Ignitor / Allumage Piézo		418-513
15	Burner Tube / Tube de brûleur		477-301A
◆ 16	Flex Ball Valve Assembly / Fléchir l'Assemblée de Soupape de Balle		302-320A
17	Valve NG / Valve GN		060-522
17	Valve LP / Valve PL		060-523
18	Pilot Assembly NG / Module de veilleuse GN		485-510A
18	Pilot Assembly LP / Module de veilleuse PL		485-511A
◆ 19	Glass Tab - Right / Étiquette de Verre - Droit		783-133
◆ 20	Glass Tab - Left / Étiquette de Verre - Gauche		783-134
◆ 21	Baffle - top / Déconcertez le Sommet		768-148
◆ 22	Baffle - bottom / Déconcertez - le fond(bas)		768-146
◆	Pilot Bracket Gasket / Joint de Parenthèse Pilote		768-432
	Pilot Orifice NG / Orifice de veilleuse GN		446-505
	Pilot Orifice LP / Orifice de veilleuse PL		446-517
	Thermocouple / Thermocouple		446-511
	Thermopile / Thermopile		060-512
	Pilot Tube / Tube de veilleuse		SRV485-301
	Junction Box / Boîtier de dérivation		040-250A
	Conversion Kit NG / Module de conversion GN		NGK-CFXINB
	Conversion Kit LP / Module de conversion PL		LPK-CFXINB

1

Approvals and Codes

Appliance Certification

The Heat-N-Glo appliance models discussed in this *Installers Guide* have been tested to certification standards and listed by the applicable laboratories.

Certification	
MODELS:	FB-GRAND, FB-IN CFX-GRAND-B, CFX-IN-B
LABORATORY:	Underwriters Laboratories
TYPE:	Vented Gas Fireplace Heaters
STANDARD:	ANSI Z21.88-2002•CSA2.33-2002•UL307B

Installation Codes

The appliance installation must conform to local codes. Before installing the appliance, consult the local building code agency to ensure that you are in compliance with all applicable codes, including permits and inspections.

In the absence of local codes, the fireplace installation must conform to the National Fuel Gas Code ANSI Z223.1 (in the United States) or the CAN/CGA-B149 Installation Codes (in Canada). The appliance must be electrically grounded in accordance with local codes or, in the absence of local codes with the National Electric Code ANSI/NFPA No. 70 (in the United States), or to the CSA C22.1 Canadian Electric Code (in Canada).

These models may be installed in a bedroom or bed-sitting

room in the U.S.A. and Canada.

High Altitude Installations

U.L. Listed gas appliances are tested and approved without requiring changes for elevations from 0 to 2,000 feet in the U. S. A. and in Canada.

When installing this appliance at an elevation above 2,000 feet, it may be necessary to decrease the input rating by changing the existing burner orifice to a smaller size. Input rate should be reduced by 4% for each 1000 feet above a 2000 foot elevation in the U.S.A. or 10% for elevations between 2000 and 4500 feet in Canada. If the heating value of the gas has been reduced, these rules do not apply. To identify the proper orifice size, check with the local gas utility.

If installing this appliance at an elevation above 4,500 feet (in Canada), check with local authorities.



Heat-N-Glo Quality
Systems registered
by SGS ICS

2

Getting Started

Introducing the Heat-N-Glo Gas Appliances

Heat-N-Glo direct vent gas appliances are designed to operate with all combustion air siphoned from outside of the building and all exhaust gases expelled to the outside.

The information contained in this *Installers Guide*, unless noted otherwise, applies to all models and gas control systems. Gas appliance diagrams, including the dimensions, are shown in this section.

Pre-install Preparation

This gas insert fireplace and its components are tested and safe when installed in accordance with this *Installers Guide*. Report to your dealer any parts damaged in shipment, particularly the condition of the glass. **Do not install any unit with damaged, incomplete, or substitute parts.**

The vent system components and trim surrounds are shipped in separate packages. The gas logs are packaged separately and must be field installed.

Read all of the instructions before starting the installation. Follow these instructions carefully during the installation to ensure maximum safety and benefit. Failure to follow these instructions will void the owner's warranty and may present a fire hazard.

The Heat-N-Glo Warranty will be voided by, and Heat-N-Glo disclaims any responsibility for, the following actions:


- Installation of damaged fireplace or vent system component.
- Modification of the fireplace or direct vent system.
- Installation other than as instructed by Heat-N-Glo.
- Improper positioning of the gas logs or the glass door.
- Installation and/or use of any component part not manufactured and approved by Heat-N-Glo, not withstanding any independent testing laboratory or other party approval of such component part or accessory.

ANY SUCH ACTION MAY POSSIBLY CAUSE A FIRE HAZARD.


VENTING AND INSTALLATION


1. Heat-N-Glo gas inserts are designed for recessed installations into solid fuel masonry or factory built non-combustible fireplaces that have been installed in accordance with the National, Provincial, State and local building codes.
2. Minimum fireplace opening requirements are shown in Figures 1 and 2 of this installation manual. The firebrick (refractory) can be removed from a factory built fireplace in order to gain minimum gas insert opening requirements.

 **WARNING: Under no circumstances is cutting of sheet metal surfaces allowed for installation.**


 **If the factory built fireplace has no gas access holes provided, an access hole of 1" diameter (25mm) or less may be drilled through the lower sides or bottom of the combustion chamber in a proper workmanship like manner.**

3. To assure top performance, safety and efficiency, inserts must be installed with an approved flue liner as per CAN/CGA B-149 or National Fuel Code ANSI Z223 and these instructions.

 **WARNING: A HEARTH OR HEARTH EXTENSION (IF PRESENT) MUST COMPLY WITH EITHER OF THE FOLLOWING: 1) THE SOLID-FUEL BURNING FIREPLACE MANUFACTURER'S SPECIFICATION, OR 2) LOCAL BUILDING CODES REQUIRED BY AUTHORITY HAVING JURISDICTION.**


 **WARNING: THE SOLID FUEL FIREPLACE HAS BEEN CONVERTED FOR USE WITH GAS ONLY AND CANNOT BE USED FOR BURNING WOOD OR SOLID FUELS UNLESS ALL ORIGINAL PARTS HAVE BEEN REPLACED AND THE FIREPLACE HAS BEEN REAPPROVED BY THE AUTHORITY HAVING JURISDICTION.**

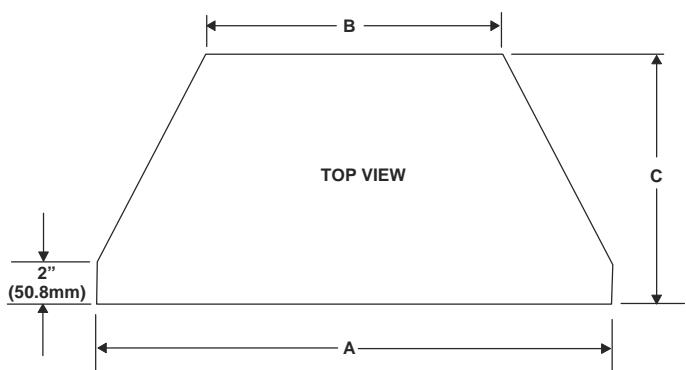
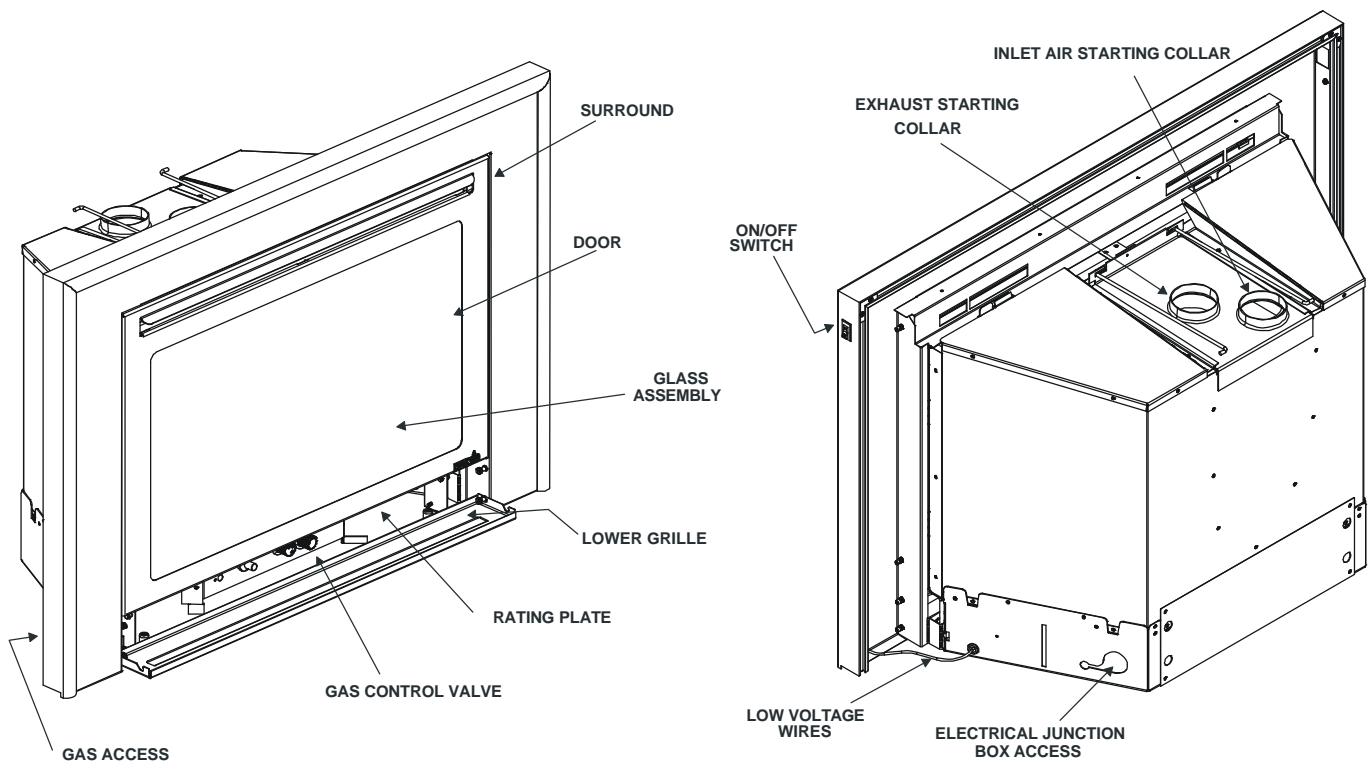
4. The solid fuel fireplace's flue damper must be fully locked in the open position or removed for installation.
5. The chimney must be cleaned and in good working order and constructed of noncombustible materials.
6. Make sure that all chimney cleanouts fit properly so air cannot leak into the chimney.
7. Install the insert without the trim surround and make all gas, venting, and electrical connections.

 **WARNING: Modification of any sheetmetal or fiber surfaces is strictly PROHIBITED in the installation of this appliance.**

Only trim kit(s) supplied by the manufacturer shall be used in the installation of this appliance.

8. Install decorative trim surround. The surround is tested AND approved with this gas insert AND may cover existing air circulation vents or grills on the solid fuel fireplace into which it is installed. Should the surround not cover all ventilation grill surfaces, the grill should be left open. **NOTE: DECORATIVE TRIM SURROUND HAS BEEN TESTED AND APPROVED TO COVER EXISTING AIR CIRCULATION VENTS OR GRILLS.**

 **WARNING: Only the surround, as supplied, may be used to cover integral grills on the solid fuel burning fireplace. No other components such as shrouds, sheet metal plates, etc. may be used to seal off vents. Remote grills or openings outside of the surround MUST NOT be covered or sealed.**

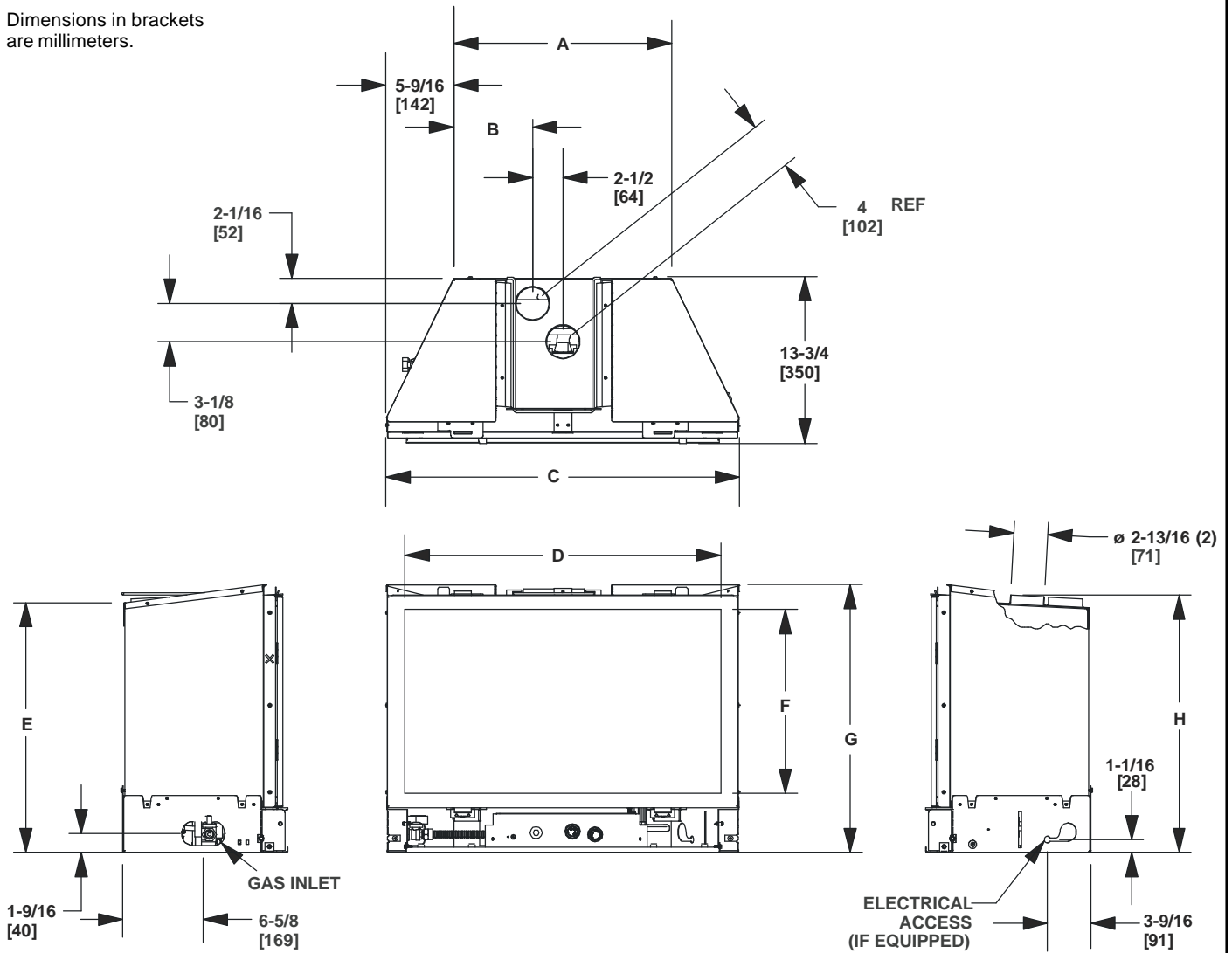


MINIMUM FIREPLACE SIZE					
Location		CFX-GRAND-B and FB-GRAND		CFX-IN-B and FB-IN	
		Inches	Millimeters	Inches	Millimeters
A	Front Width	35	889	30-1/4	768.4
B	Rear Width	22-5/8	574.7	19	482.6
C	Depth	14-1/8	358.8	14-1/8	358.8
*	Height	25-3/4	654	22-1/2	571.5

* **NOTE:** If exhaust collar on insert and fireplace damper do not line up, add 4 inches (102mm) to minimum fireplace height for bends in vent pipe. /

Figure 1. Diagram of insert

Dimensions in brackets are millimeters.



MODEL DIMENSIONS				
Location	CFX-GRAND-B and FB-GRAND		CFX-IN-B and FB-IN	
	Inches	Millimeters	Inches	Millimeters
A	22-1/2	571	18	457
B	8-3/4	222	6-1/2	165
C	33-3/4	857.2	29-3/8	746.1
D	30-9/16	776	26-1/16	661
E	23-7/8	606	20-5/8	524
F	18-7/16	468	15-3/16	385
G	25-3/8	644	22-1/8	562
H	24-1/2	622	21-1/4	540

Figure 2. Diagram and dimension of all models

3


Installing the Insert

Step 1. Installing the Vent System

Vent System Installation Precautions

Before starting installation of vent kits, the installer should read these instructions and the Vent Kit Instructions to ensure that a proper vent installation is completed.

Consult your local building codes before beginning the installation.

 **WARNING: THIS GAS INSERT AND VENT ASSEMBLY MUST BE VENTED DIRECTLY TO THE OUTSIDE AND MUST NEVER BE ATTACHED TO A CHIMNEY SERVING A SEPARATE SOLID FUEL BURNING APPLIANCE. EACH GAS APPLIANCE MUST USE A SEPARATE VENT SYSTEM. COMMON VENT SYSTEMS ARE PROHIBITED.**

Vent System Approvals

Models CFX-Grand-B, CFX-IN-B, FB-IN and FB-GRAND is approved with vent termination kits LINK-DV-30, LINK-DV-30B, LINK-DV4-30 and LINK-DV4-30B. Approved vent system terminations are labeled for identification. 3-inch diameter listed flexible aluminum and stainless steel gas vent is used for both the incoming combustion air and exhaust vent pipes. **NO OTHER VENTING SYSTEMS OR COMPONENTS MAY BE USED.** Detailed installation instructions are included with each vent termination kit and should be used in conjunction with this manual.

Horizontal Venting

The vent system on this model **CANNOT** be terminated horizontally.

Vertical Venting

The vent pipes **MUST** be connected to the proper collars on the unit **AND** the exhaust vent pipe **MUST** be connected to the termination cap or the unit will not operate. The combustion air vent pipe **CAN** be connected to the termination cap (LINK -DV30, LINK -DV30B) or it can terminate inside the chimney (LINK-DV4-30, LINK-DV4-30B). The bottom opening of the chimney must be sealed around the vent pipes if the combustion air vent is **NOT** connected to the termination cap. See Figures 3 and 4.

NOTE: The minimum vertical rise (exhaust vent) is 14 feet and the maximum vertical rise is 40 feet. These dimensions are measured from the starting collars of the unit to the end

of the last section of vent pipe. See dimension V in Figure 4.

A vertical vent termination system installed on this model will include one (1) length of 3-inch flexible vent pipe for the combustion air, one (1) length of 3-inch flexible vent pipe for the exhaust air, one (1) pipe-to-cap adaptor, and one (1) SLK-991DA or SLK-980D Vertical Termination Cap.

NOTE: The damper of the masonry chimney may need to be removed to allow installation of the flexible-vent pipe.


This fireplace has been altered to accommodate an insert and should be inspected by a qualified person prior to re-use as a conventional fireplace.

NOTE: The above label, located in the instruction package, must be affixed to the existing fireplace prior to installation.

For zero clearance factory built woodburning fireplaces, the use of kit LINK-ZC-ADP in place of the standard square flashing will allow you to mount the adaptor and cap on metal pipe. Additionally, the use of kit FLASH-DAMP will seal off the damper opening when terminating the inlet air vent pipe just above the damper. These 2 kits are recommended for zero clearance, factory built woodburning fireplaces.

Connecting the Vent Pipe

Install the 3" flexible vent pipe(s) down through the chimney. Secure the end of the flexible vent pipe for exhaust to the provided 3' section of stainless steel flexible vent pipe. A 3" collar is factory installed on one end for mating the two ends of flexible pipe.

 **WARNING: THE 3' SECTION OF STAINLESS STEEL FLEXIBLE PIPE MUST BE ATTACHED DIRECTLY TO THE EXHAUST COLLAR OF THE UNIT.**

Attach either 4' or 30' section of intake liner to the intake collar on the collar slide-plate using 3 screws. This assembly may be removed from the unit to aid installation. Slide insert into position, while pulling intake collar assembly towards the front of the unit. Slide the gas insert into place, and position any excess flexible vent pipe back up into the chimney. This assembly will be secured in place when the pull handle can be locked into position at locking brackets.

Slide the gas insert into place, and position any excess flexible vent pipe back up into the chimney. Attach the pipe-to-cap adaptor to the termination cap and to the top of the flexible vent pipe and set the cap in place at the top of the chimney. See Figures 4 and 5.

CAUTION: TO AVOID DOWNDRAFTS AND/OR COLD AIR PROBLEMS, IT IS RECOMMENDED TO SEAL OFF THE AREA BETWEEN THE TERMINATION CAP AND THE TOP OF THE SOLID-FUEL CHIMNEY OPENING INTO WHICH THE VENT CAP HAS BEEN INSTALLED.

WHEN USING THE LINK-DV4-30 VENT SYSTEM, IT IS REQUIRED TO SEAL AROUND THE FLEXIBLE VENT PIPES IN THE DAMPER AREA. SEE FIGURE 5. USE FIBERGLASS INSULATION OR OTHER SUITABLE NON-COMBUSTIBLE MATERIAL.

⚠ WARNING: MAJOR U.S. BUILDING CODES SPECIFY MINIMUM CHIMNEY AND/OR VENT HEIGHT ABOVE THE ROOF TOP. THESE MINIMUM HEIGHTS ARE NECESSARY IN THE INTEREST OF SAFETY. SEE THE FOLLOWING DIAGRAM FOR MINIMUM HEIGHTS, PROVIDED THE TERMINATION CAP IS AT LEAST 2-FEET FROM A VERTICAL WALL AND 2-FEET BELOW A HORIZONTAL OVERHANG.

NOTE: This also pertains to vertical vent systems installed on the outside of the building.

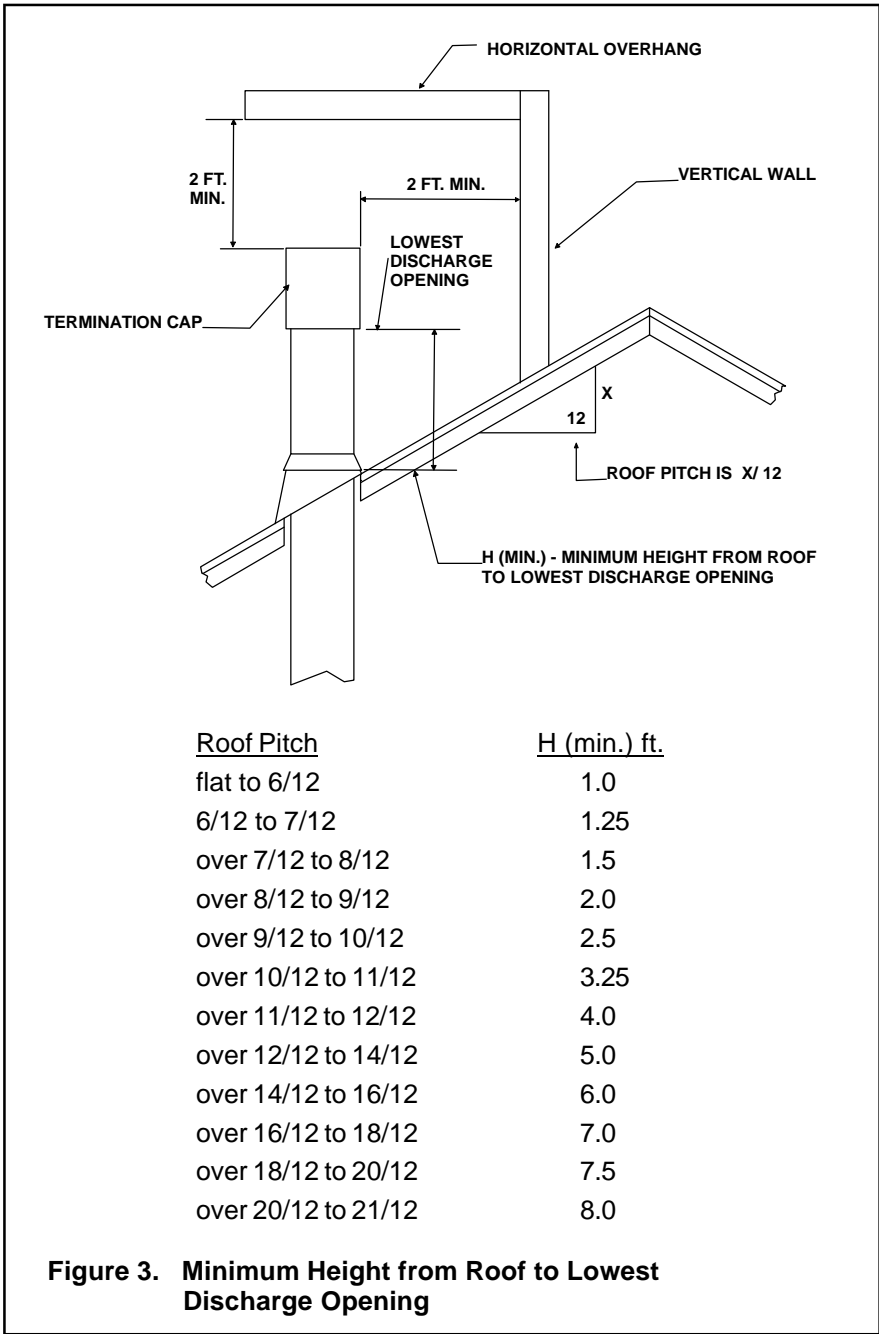


Figure 3. Minimum Height from Roof to Lowest Discharge Opening

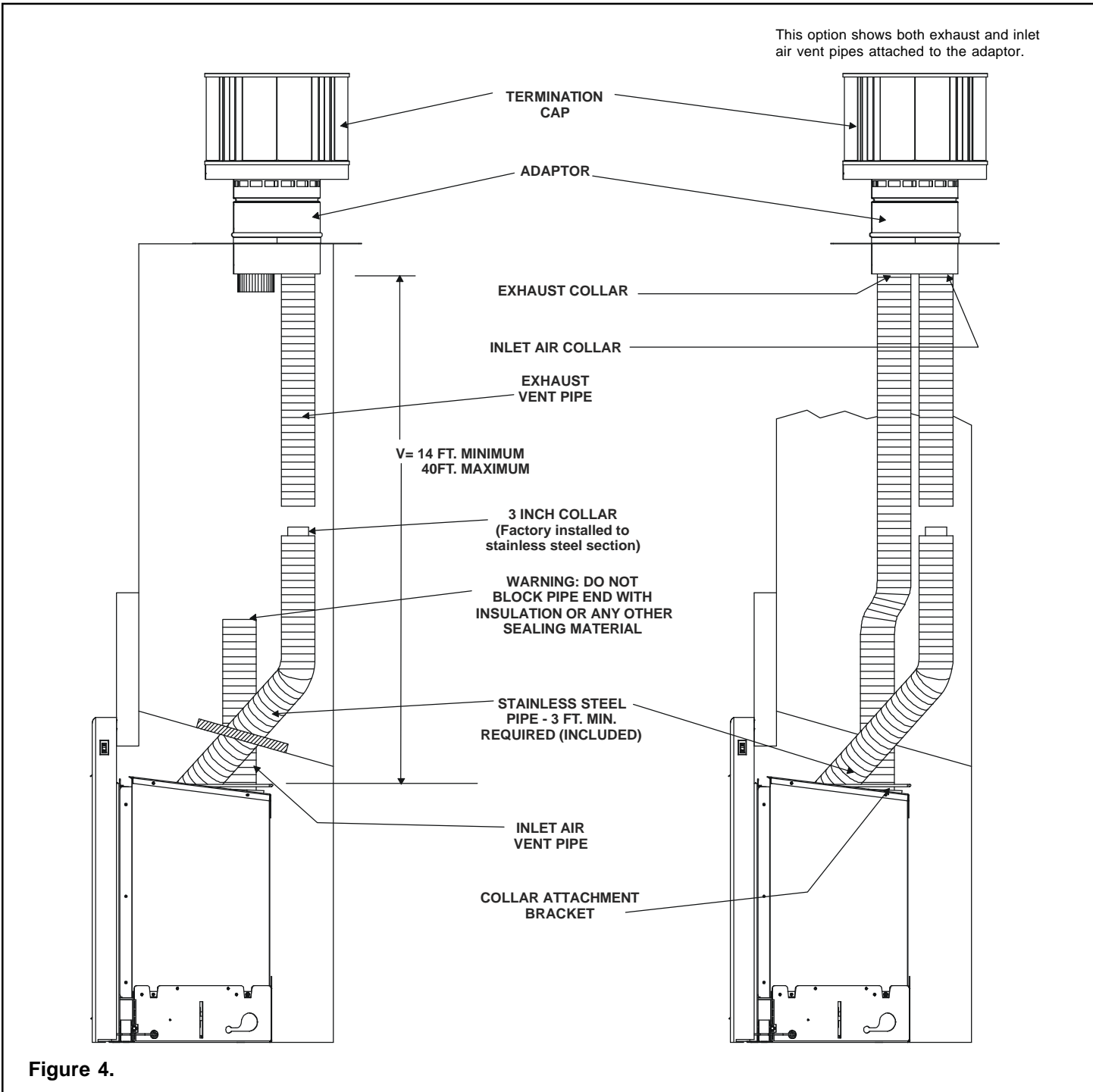
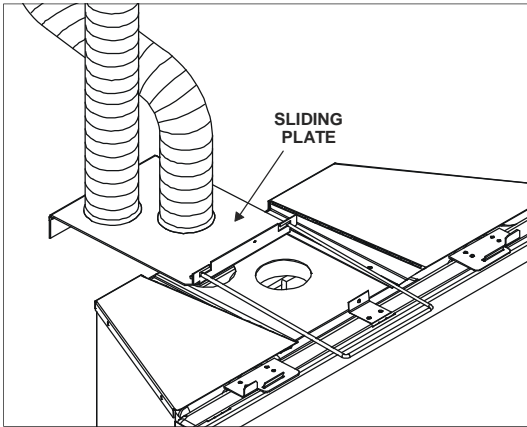
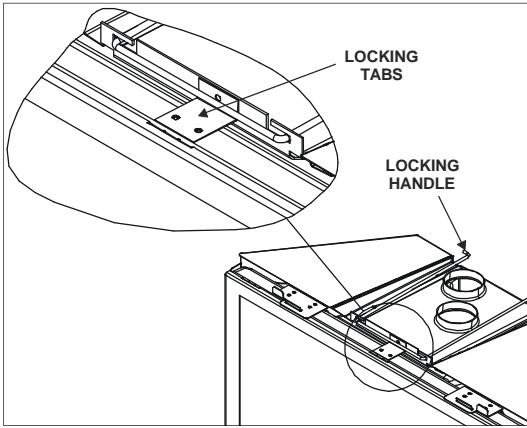


Figure 4.

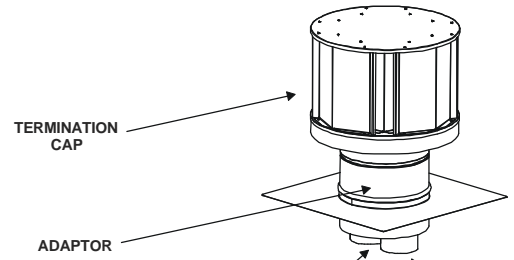
⚠ WARNING: THE EXHAUST VENT PIPE MUST ONLY BE CONNECTED TO THE EXHAUST STARTING COLLAR OF THE UNIT AND THE CENTER COLLAR OF THE TERMINATION CAP.

⚠ A 3 FOOT SECTION OF STAINLESS STEEL FLEXIBLE LINER MUST BE ATTACHED DIRECTLY TO THE EXHAUST COLLAR ON COLLAR SLIDE PLATE.

⚠ THE INLET AIR PIPE MUST ONLY BE CONNECTED TO THE INLET AIR COLLAR OF THE UNIT AND EITHER ATTACHED TO THE INLET AIR COLLAR OF THE TERMINATION CAP OR TERMINATED IN THE CHIMNEY.



Note: Inspect for exhaust collar gasket to insure positive exhaust seal.



EXHAUST VENT PIPE SUPPLIED WITH TERMINATION KIT

INLET AIR VENT COLLAR (LINK-DV30 SHOWN)

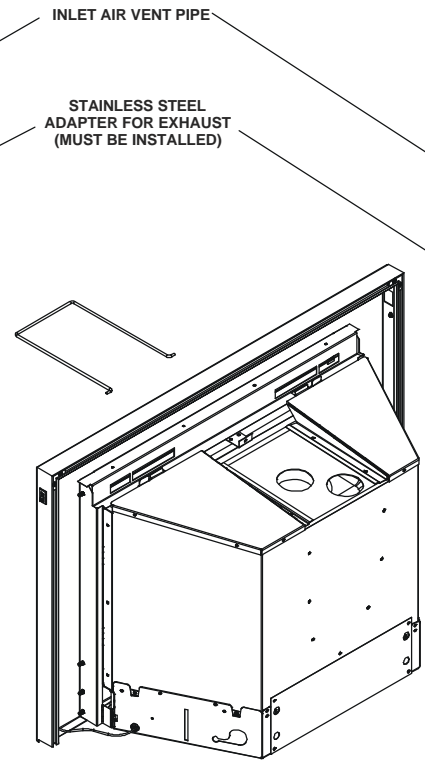
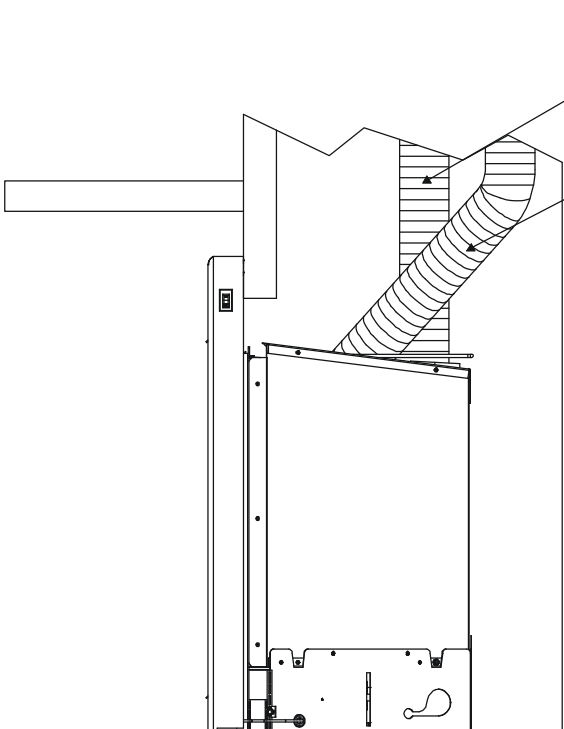
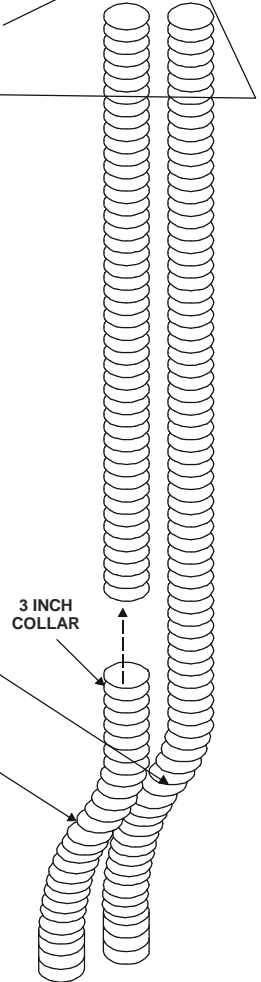
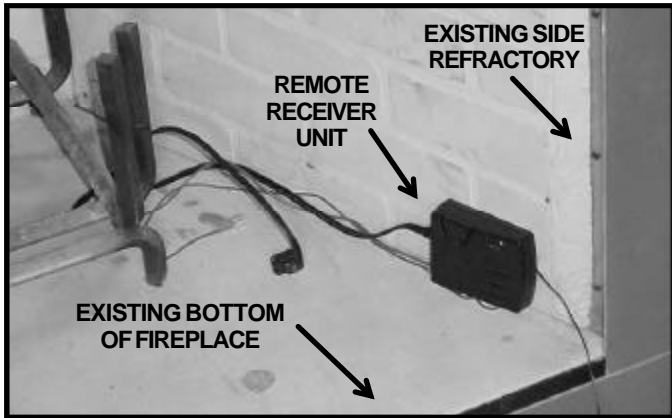


Figure 5. Typical configuration of vent liners.

Step 2. Positioning, Leveling, and Securing the Insert

Remote Control

The receiver for the remotes must be installed **BETWEEN** the base pan of the insert and the firebox of the wood-burning fireplace (see photo below).



- Place the insert into position.
- Level the insert from side to side and from front to back. Use the leveling legs included with the manual bag if necessary to set each corner of the base.

Step 3. The Gas Control System



WARNING: THIS UNIT IS NOT FOR USE WITH SOLID FUEL.

These models use a standing pilot ignition type of gas control system.

Standing Pilot Ignition System

This system includes millivolt control valve, standing pilot, thermopile/thermocouple flame sensor, and piezo ignitor.



WARNING: 110-120 VAC MUST NEVER BE CONNECTED TO A CONTROL VALVE IN A MILLIVOLT SYSTEM.

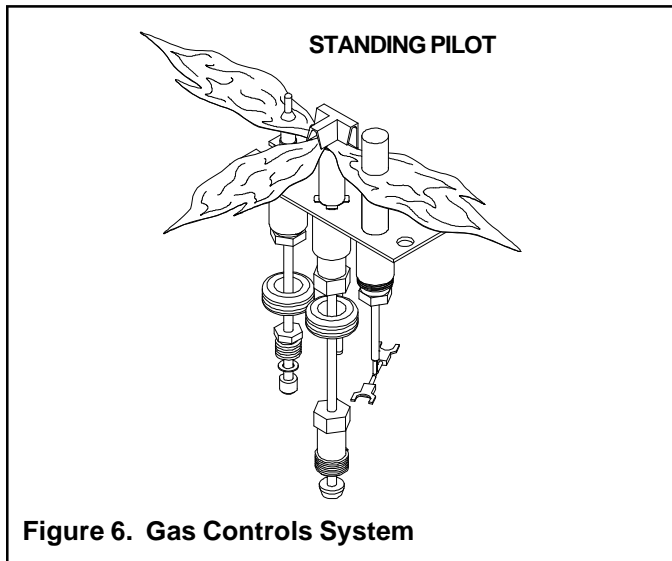


Figure 6. Gas Controls System

Step 4. The Gas Supply Line

NOTE: Have the gas supply line installed in accordance with local building codes by a qualified installer approved and/or licensed as required by the locality. (In the state of Massachusetts installation must be performed by a licensed plumber or gas fitter).

NOTE: Before the first firing of the fireplace, the gas supply line should be purged of any trapped air.

NOTE: Consult local building codes to properly size the gas supply line leading to the 1/2 inch (13 mm) hook-up at the unit.

This gas fireplace is designed to accept a 1/2 inch (13 mm) gas supply line. To install the gas supply line:

- A listed (and State of Massachusetts approved) 1/2 inch (13mm) tee-handle manual shut-off valve and a listed flexible gas connector are connected to the 1/2 inch (13mm) inlet of the control valve. **NOTE:** If substituting for these components, please consult local codes for compliance.
- Locate the gas line access hole in the outer casing of the fireplace.
- Open the lower grille, insert the gas supply line through the gas line hole, and connect it to the shut-off valve.
- When attaching the pipe, support the control so that the lines are not bent or torn.
- After the gas line installation is complete, use a soap solution to carefully check all gas connections for leaks.



WARNING: DO NOT USE AN OPEN FLAME TO CHECK FOR GAS LEAKS.

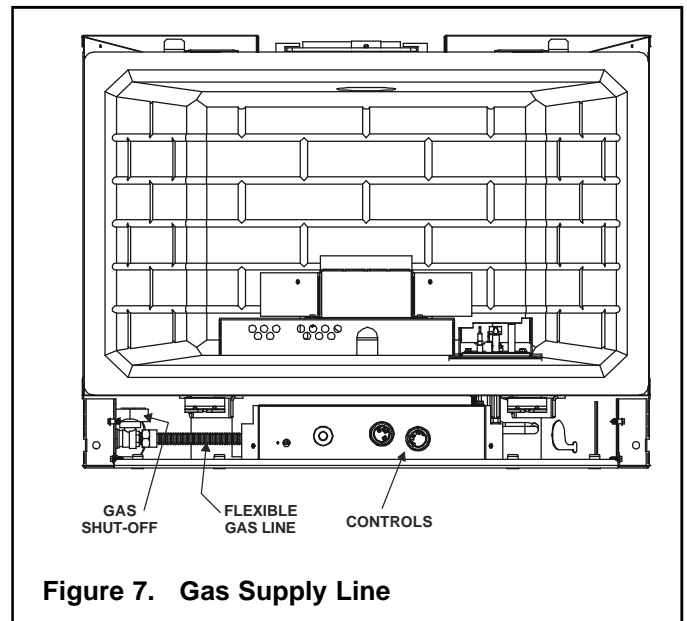


Figure 7. Gas Supply Line

Step 5. Gas Pressure Requirements

Pressure requirements for these gas appliances are shown in the table below.

Pressure	Natural Gas	Propane
Minimum Inlet Pressure	5.0 inches w.c.	11.0 inches w.c.
Maximum Inlet Gas Pressure	14.0 inches w.c.	14.0 inches w.c.
Manifold Pressure	3.5 inches w.c.	10.0 inches w.c.

Inlet and outlet pressure taps are provided on the front face of the gas control for a test gauge connection to measure the manifold pressure. Use a small flat blade screwdriver to crack open the screw in the center of the tap. Position a rubber hose over the tap to obtain the pressure reading.

THE FIREPLACE AND ITS INDIVIDUAL SHUT-OFF VALVE MUST BE DISCONNECTED FROM THE GAS SUPPLY PIPING SYSTEM AND ISOLATED DURING ANY PRESSURE TESTING OF THE SYSTEM AT TEST PRESSURES EQUAL TO OR IN EXCESS OF ONE-HALF (1/2) PSIG (3.5 KPA).

Step 6. Wiring the Fireplace

NOTE: Electrical wiring must be installed by a licensed electrician.

CAUTION: DISCONNECT REMOTE CONTROLS IF ABSENT FOR EXTENDED TIME PERIODS. THIS WILL PREVENT ACCIDENTAL APPLIANCE OPERATION.

For Standing Pilot Ignition Wiring Appliance Requirements

- This appliance **DOES NOT** require 110-120 VAC to operate.
- Models FB-Grand and FB-IN require 110-120 VAC if optional blower is added to the system.

! WARNING: DO NOT CONNECT 110-120 VAC TO THE GAS CONTROL VALVE OR THE APPLIANCE WILL MALFUNCTION AND THE VALVE WILL BE DESTROYED.

Wall Switch

Position the wall switch in the desired position on a wall. Run a maximum of 25 feet (7.8 m) or less length of 18 A.W.G. minimum wire and connect it to the fireplace valve pigtails.

! WARNING: DO NOT CONNECT 110-120 VAC TO THE WALL SWITCH OR THE CONTROL VALVE WILL BE DESTROYED.

CAUTION: LABEL ALL WIRES PRIOR TO DISCONNECTION WHEN SERVICING CONTROLS. WIRING ERRORS CAN CAUSE IMPROPER AND DANGEROUS OPERATION. VERIFY PROPER OPERATION AFTER SERVICING.

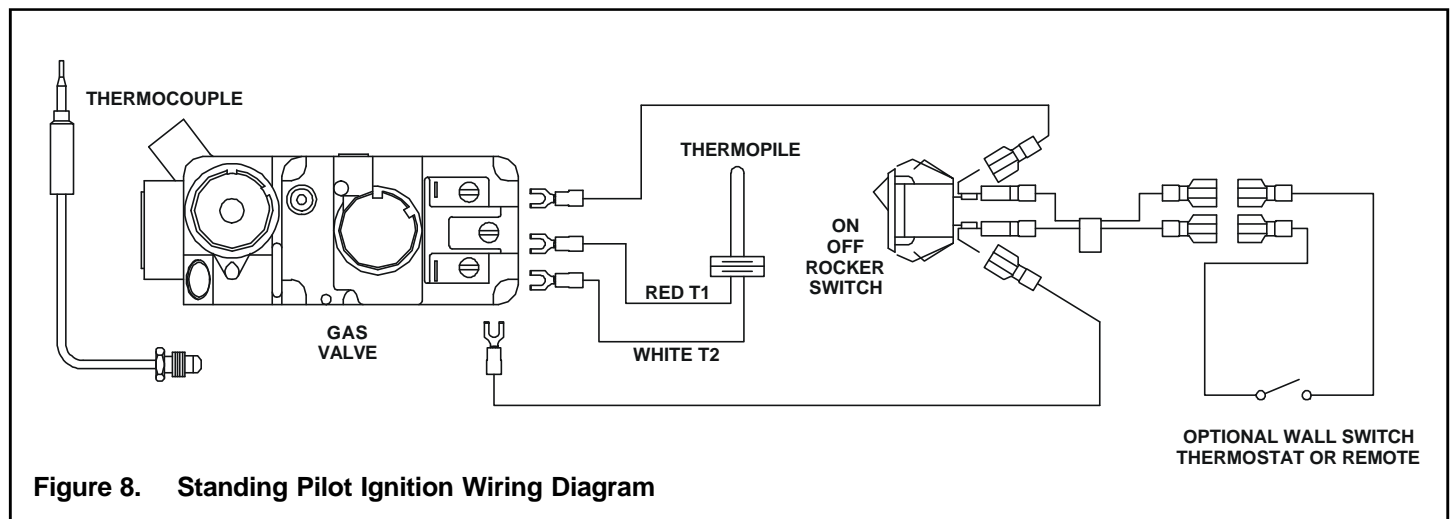


Figure 8. Standing Pilot Ignition Wiring Diagram



WARNING: MUST USE THE CORD SUPPLIED WITH THE J-BOX.

Fan Option (FB-IN & FB-Grand ONLY)

On units already installed removal of decorative front, surround and gas insert is required.

- Detach flexible liner from back of unit.
- Remove the four screws on the coverplate (see Figure 11).
- Bend up the tabs on the base pan (see Figure 10).
- Place the blower in between the bend up tabs.
- Install and wire the blower per instruction shipped with the fan.
- The ground wire of the fan can clip on the side of the base pan.
- Reinstall the cover plate back on the unit. Make sure the fan does not make contact with the back wall.

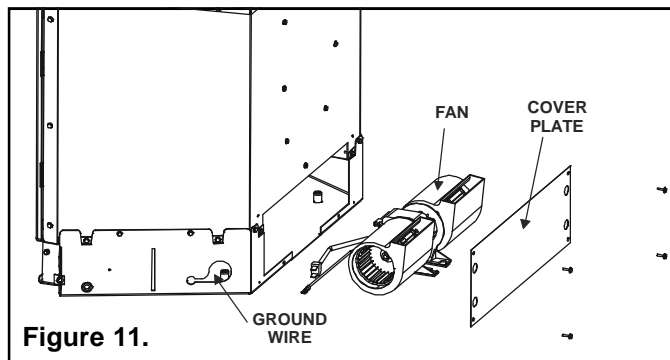


Figure 11.

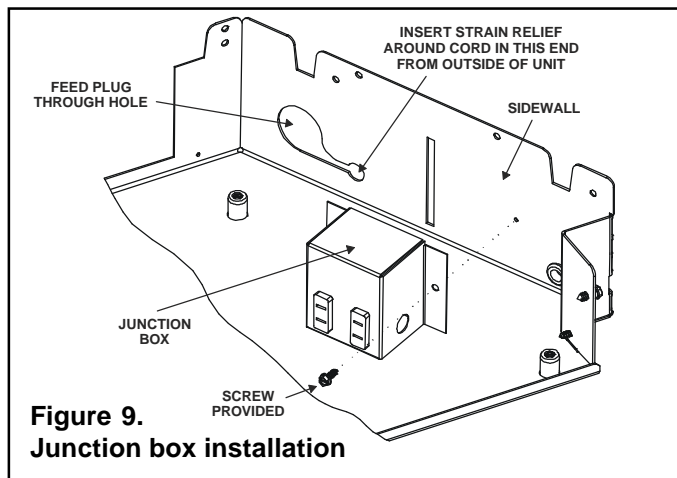


Figure 9.
Junction box installation

Optional Accessories

Installation of the electrical junction box is required if using a blower or remote. To install:

- Uncoil the junction box cord and feed the end of the cord through the hole on the right side of the base pan.
- Turn the junction box at a 45-degree angle and insert it into the sidewall of the base pan.
- Turn junction box so it is flush with sidewall and screw into place with the screw provided in the manual bag.
- Gently pull the end of the cord until cord is tight. Place the strain relief on the cord and then place it into hole on base pan.
- Plug the cord into a convenient outlet. An electrician may install an outlet box inside the fireplace. Place the outlet in the lower, back corner of the fireplace supplied. Make sure fan doesn't touch back wall.

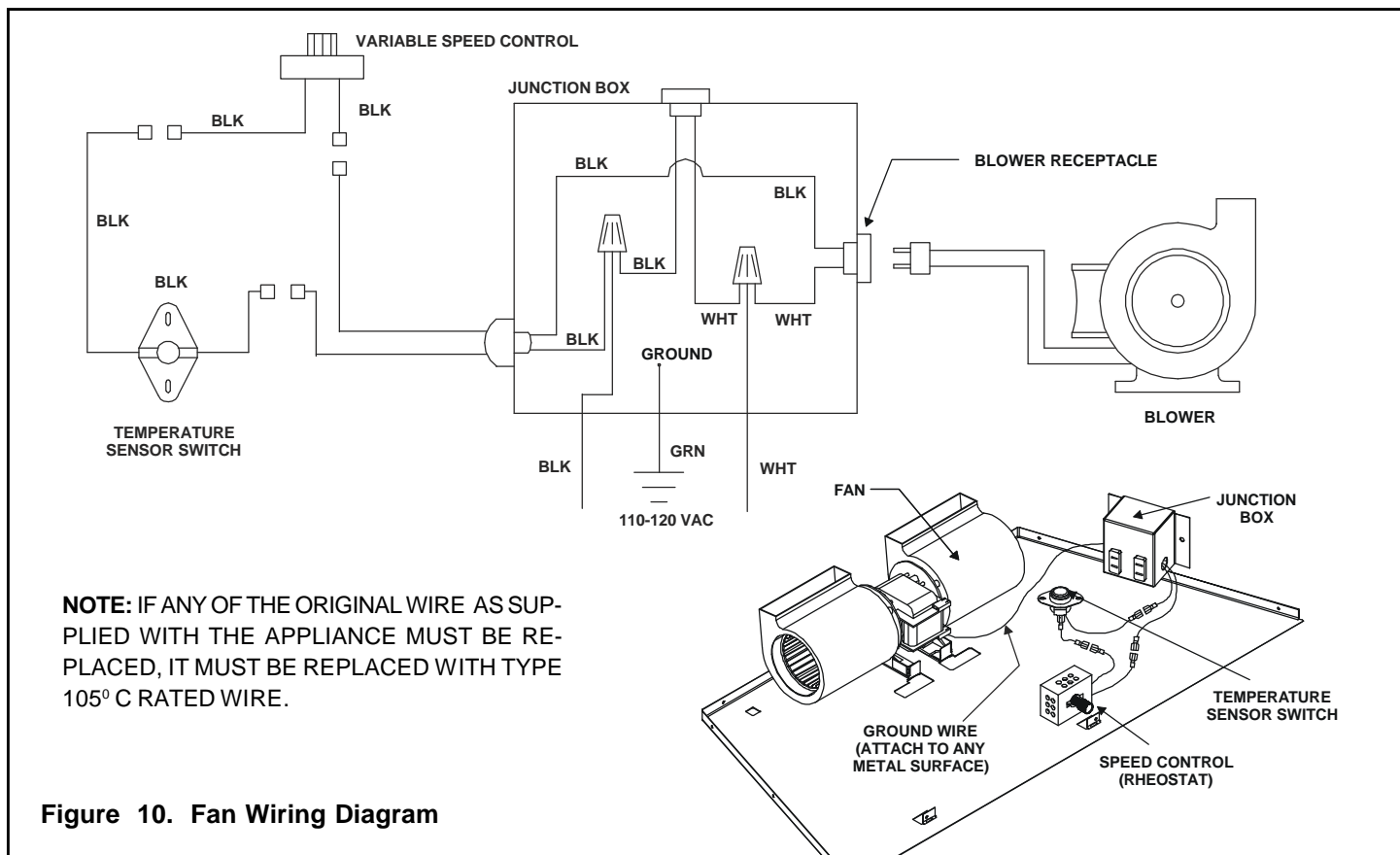


Figure 10. Fan Wiring Diagram

Step 7. Installing Logs and Ember Material

Shutter Settings

Burner	NG	LP
CFX-GRAND-B, FB-GRAND	3/8"	Set
CFX-IN-B, FB-IN	1/2"	Set

Positioning the Logs

The logs have been packaged separately. Refer to the installation instructions that accompany this manual. **Save the log instructions with this manual.**

If sooting occurs, the logs might need to be repositioned slightly to avoid excessive flame impingement.

Placing the Ember Material

Two separate bags of ember material are shipped with this gas appliance. The bag labeled Glowing Ember (050-721) is standard glowing ember material. To place the ember material:

- Remove the glass door from the unit (see Figure 12).

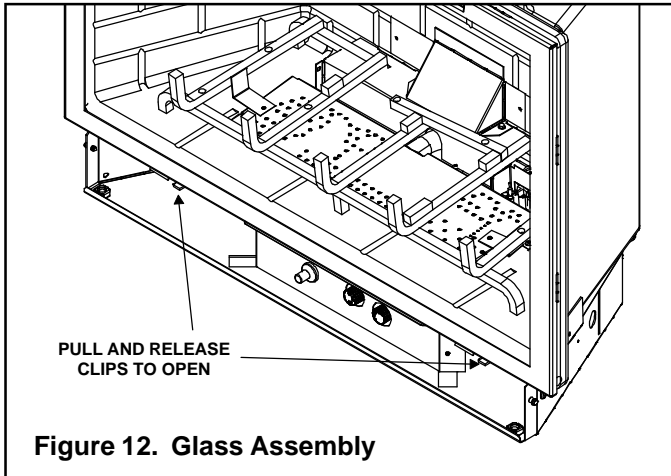


Figure 12. Glass Assembly

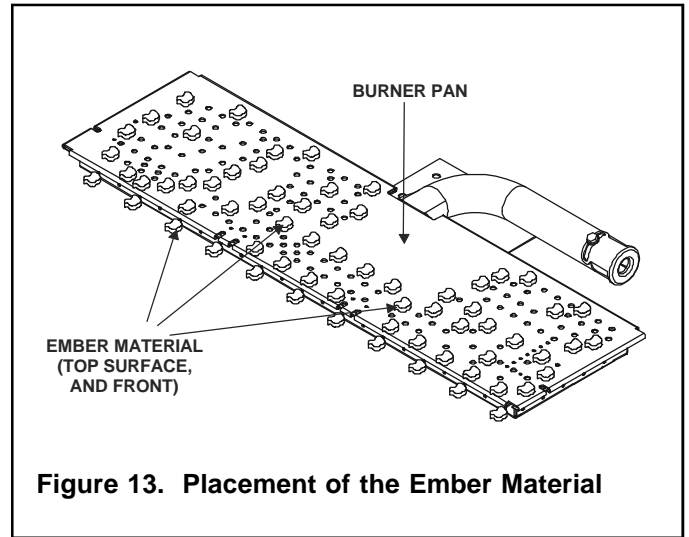


Figure 13. Placement of the Ember Material

- Place a dime size piece of **GLOWING EMBER** material near port holes in burner top, sides and front (see Figure 13).
- Space dime size ember pieces about a 1/2 inch apart. Never press embers into burner ports. Do not cover burner ports. Place dime size pieces around front and sides of burner pan.
- Save the remaining ember materials for use during fire-place servicing. The embers provided are sufficient for 2 to 4 applications.
- Place **MYSTIC EMBERS** over burner surface and around base of the burner, do not cover any burner port holes. Can be used on floor of firebox for a realistic ash-bed.
- Replace the glass door on the fireplace.
- Re-install and latch the decorative front.

Step 8. Installing Trim Surrounds

Combustible materials **MUST NEVER** overlap onto the front face.

- Find the coiled low voltage wires and ON/OFF switch attached to outer right side of the insert (see Figure 14).
- Disconnect the ON/OFF switch from the low voltage wire leads, and insert the ON/OFF switch through the hole at the upper right corner of the surround - it will be retained in the hole.

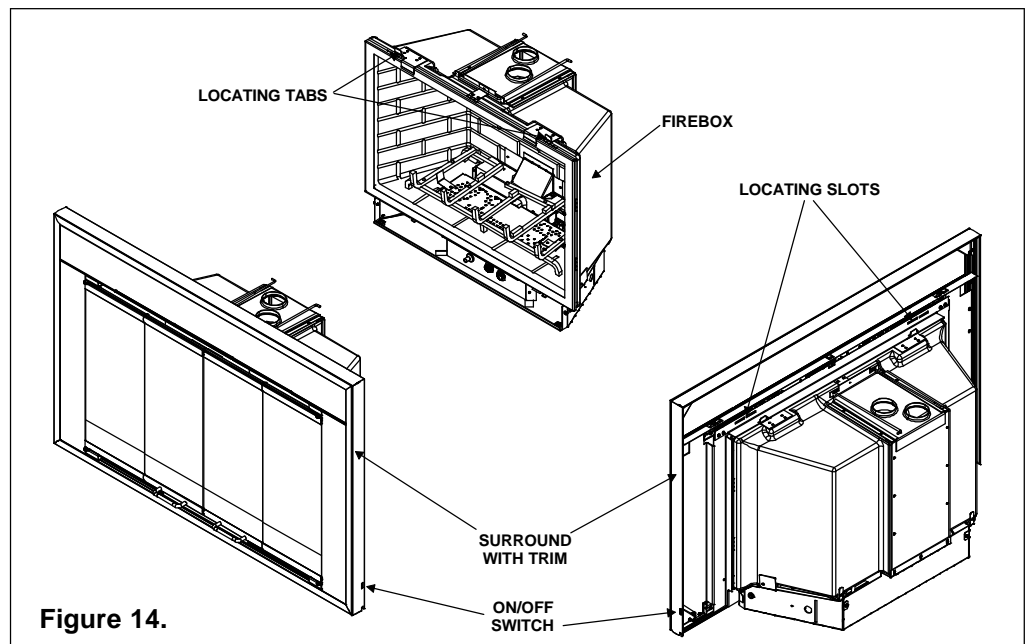


Figure 14.

3. Reconnect the low voltage wires to the ON/OFF switch.
4. Attach surround assembly by hooking the support bracket on the locating tabs on top of the gas insert fireplace (see Figure 14.) Once the surround assembly is on the locating tabs, ensure the bottom hooks are resting on the locating pins at the base. Reposition the fireplace if necessary. Refer to surround instructions provided with the decorative surround.

NOTE: PLACE THE THREE INSULATION PIECES INTO THE CAVITIES AT THE BACK OF THE SURROUND BEFORE POSITIONING THE INSERT INTO THE FACTORY-BUILT OR MASONRY FIREPLACE. THIS INSULATION WILL HELP SEAL FOR COLD AIR LEAKS.

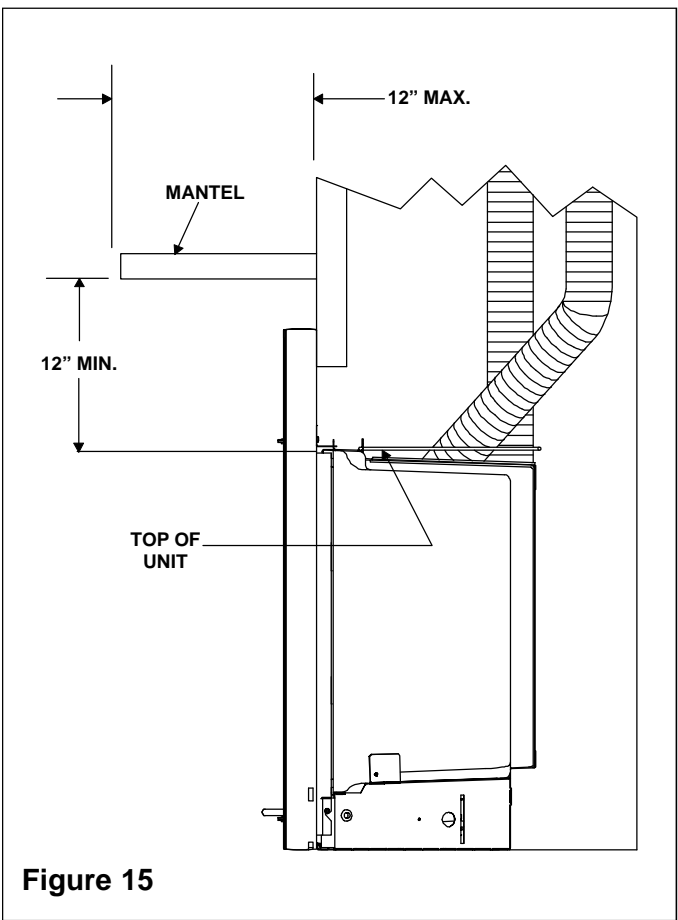


Figure 15 shows the minimum vertical and corresponding maximum horizontal dimensions of mantels or other combustible projections above the gas fireplace.

Step 9. Before Lighting the Appliance

Before lighting the appliance, be sure to do the following:

Remove all paperwork from underneath the fireplace.

Review safety warnings and cautions

- Read the **Safety and Warning Information** section at the beginning of this *Installers Guide*.

Double-check for gas leaks

- Before lighting the appliance, double-check the unit for possible gas leaks.

Double-check vent terminations for obstructions.

- Before lighting the appliance, double-check the unit for possible obstructions that could be blocking the vent terminations.

Double-check for faulty components

- Any component that is found to be faulty **MUST BE** replaced with an approved component. Tampering with the appliance components is **DANGEROUS** and voids all warranties.

A small amount of air will be in the gas supply lines. When first lighting the appliance, it will take a few minutes for the lines to purge themselves of this air. Once the purging is complete, the appliance will light and will operate normally.

Subsequent lightings of the fireplace will not require this purging of air from the gas supply lines, **unless the gas valve has been turned to the OFF position**, in which case the air would have to be purged.

NOTE: The fireplace should be run 3 to 4 hours on the initial start-up. Turn it off and let it cool completely. Remove and clean the glass. Replace the glass and run the fireplace for an additional 8 hours. This will help to cure the chemicals used in the paint and logs.

Step 10. Lighting the Appliance

You've reviewed all safety warnings, you've checked the appliance for gas leaks, you know the vent system is unobstructed, and you've checked for faulty components. Now you're ready to light the appliance.



WARNING: PLEASE REFER TO THE USER'S MANUAL FOR ALL CAUTIONS, SAFETY, AND WARNING INFORMATION PERTAINING TO THE LIGHTING AND OPERATION OF THE APPLIANCE.

After the Installation



LEAVE THIS INSTALLATION MANUAL WITH THE APPLIANCE FOR FUTURE REFERENCE.

4

Maintaining and Servicing Your Appliance

Appliance Maintenance

Although the frequency of servicing and maintenance will depend on use and the type of installation, you should have a qualified service technician perform an appliance check-up at the beginning of each heating season. See the table below for specific guidelines regarding each fireplace maintenance task.

IMPORTANT: TURN OFF THE GAS BEFORE SERVICING YOUR FIREPLACE.

Replacing old ember material

Frequency: Once annually, during the checkup.

By: Qualified service technician.

Task: Brush away loose ember material near the burner. Replace old ember material with new dime-size and shape pieces of Golden Ember (DE-93) and Glowing Ember (050-721). New ember material should be placed alternately on top of the burner - a layer of Golden Ember, a layer of Glowing Ember, and so on. Save the remaining ember material and repeat this procedure at your next servicing. For more information, see **Placing Ember Material**.

Cleaning Burner and Controls

Frequency: Once annually.

By: Qualified service technician.

Task: Brush or vacuum the control compartment, fireplace logs and burner areas surrounding the logs.

Checking Flame Patterns, Flame Height

Frequency: Periodically.

By: Qualified service technician/Home owner.

Task: Make a visual check of your fireplace's flame patterns. Make sure the flames are steady - not lifting or floating. See Figure 16. The thermopile/thermocouple (standing pilot) tips should be covered with flame. See Figure 6.

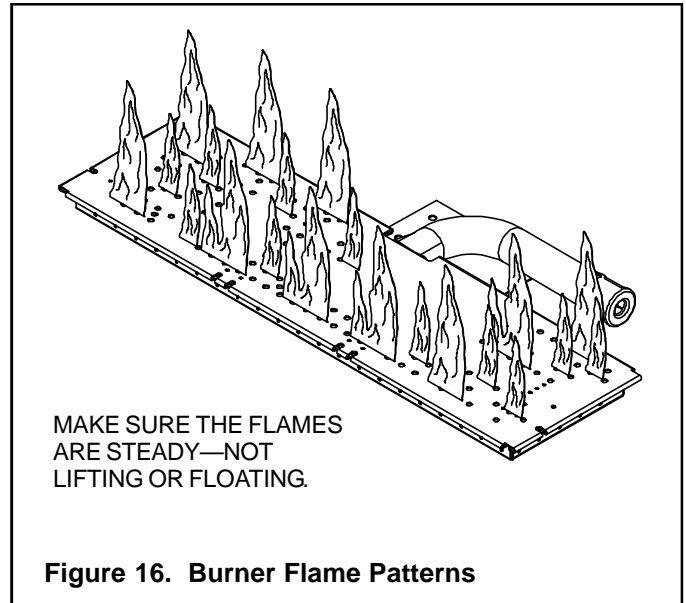


Figure 16. Burner Flame Patterns

Checking Vent System

Frequency: Before initial use and at least annually thereafter, more frequently if possible.

By: Qualified service technician/Home owner.

Task: Inspect the external vent cap on a regular basis to ensure that no debris is interfering with the flow of air. Inspect entire vent system for proper function.

Cleaning Glass Door

Frequency: After the first 3 to 4 hours of use. As necessary after initial cleaning.

By: Home owner.

Task: Remove and clean glass after the first 3 to 4 hours of use. After the initial cleaning, clean as necessary, particularly after adding new ember (flame colorant) material. Film deposits on the inside of the glass door should be cleaned off using a household glass cleaner. **NOTE: DO NOT handle or attempt to clean the door when it is hot and DO NOT use abrasive cleaners.**