



HEARTLAND

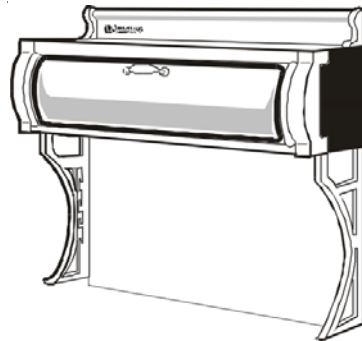
1050 Fountain St N. Cambridge, Ontario, Canada N3H-4R7 Phone: 1-877-650-5775

Cabinet Installation Instructions For Gas, Electric, Combination and Wood Stoves

For 48" Models: 7200, 6200, 6210, 5200, 5210,

30" Models: 9200, 8200, 8210, 4200, 4210

Wood Stove Models: 1903, 1902, 2603, 2602



Please Read These Instructions Thoroughly
Before Installing Your Cabinet.

English Edition

Note: If you plan to vent your exhaust hood to the outside, please refer to your range's Owner Installation and Operating Instructions under Exhaust Hood section before completing this installation. **Note: maximum run of ducting is 25 linear feet (subtract 5' per 90 deg elbow added to the exhaust line and 2.5' per 45 deg elbow)**

Before proceeding, check for damage that may have occurred during shipping. If the contents are damaged, inform the freight company or your dealer immediately!

Please refer to the "Installation and Operating Instructions" manual to complete your range installation

TABLE OF CONTENTS

1. Removing Cabinet from Box	2
2. Assembly of Cresting panel	3
3. Installing Cabinets for Electric and Combination Stoves	4
4. Installing Cabinets for Gas Stoves	5
5. Installing Cabinet for Wood Stoves	6
6. Venting	7
7. Connecting Power to the Cabinet for Electric and Combination Stoves	8
8. Connecting Power to the Cabinet for Gas Stoves	9

Please read through these instructions before installing the cabinet on the stove base.

TWO PEOPLE ARE REQUIRED TO DO THE INSTALLATION

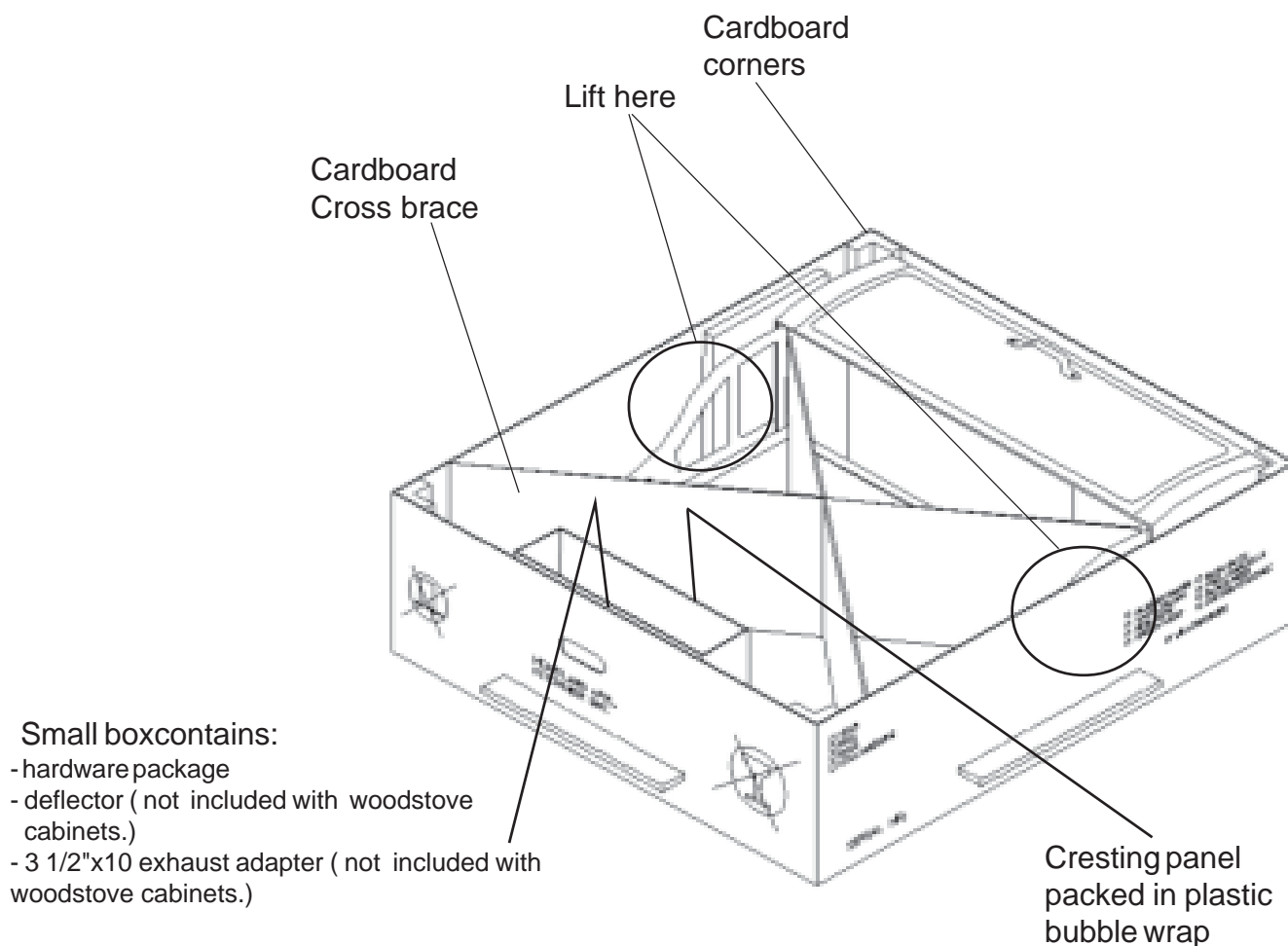


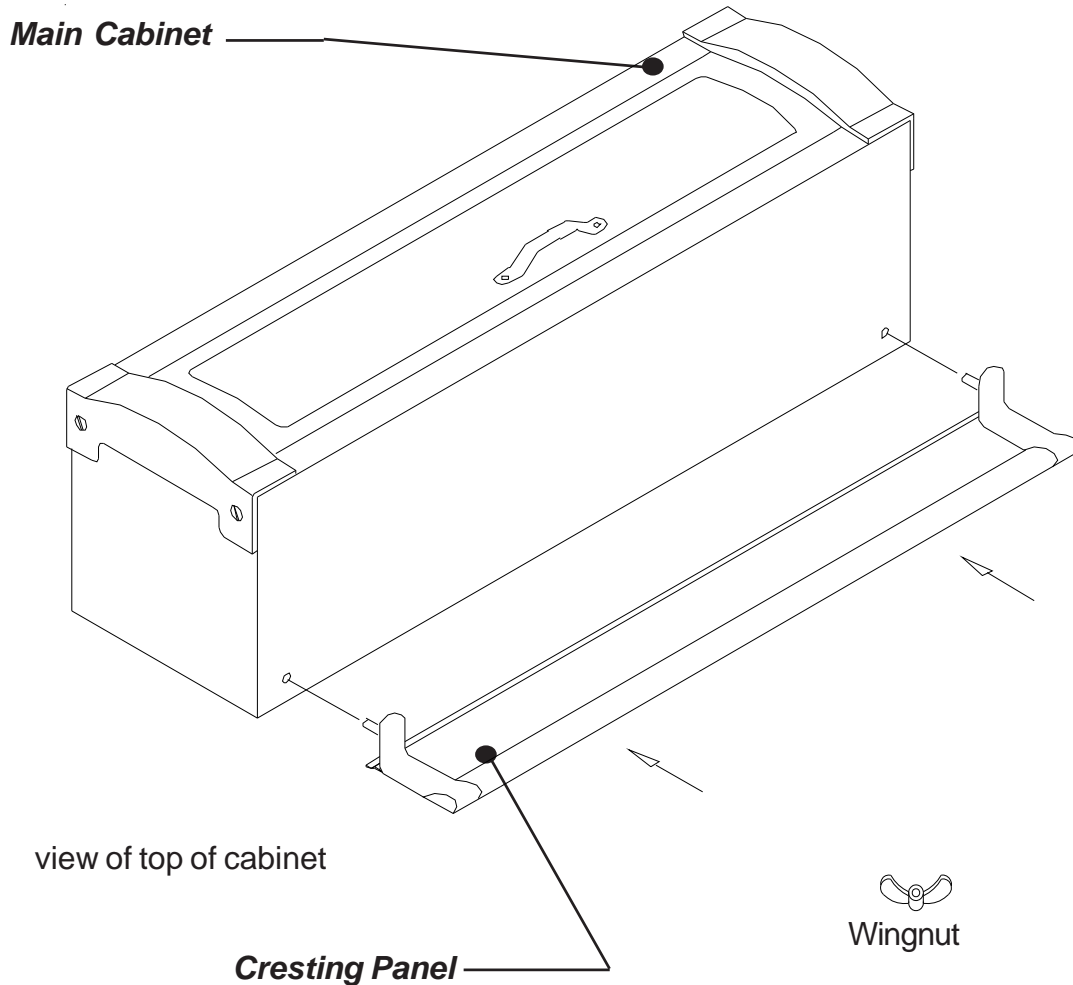
Fig. 1

The cabinet comes assembled , except cresting panel (see next page for assembly instructions) and only requires attachment (installation) to the base of the stove. Further assembly of optional venting of the exhaust fan may be required.

Before removing the cabinet assembly from the box, make sure you :

- Remove the 4 cardboard corners.
- Remove small box and its contents.
- Remove the cardboard cross brace.
- Remove the plastic wrapped cresting panel.

Assembly of Cresting Panel.



Locate crestring panel packed in bubble wrap.

Unwrap the crestring panel and remove the wingnuts.

Place the crestring panel on the rear of the top of the cabinet.

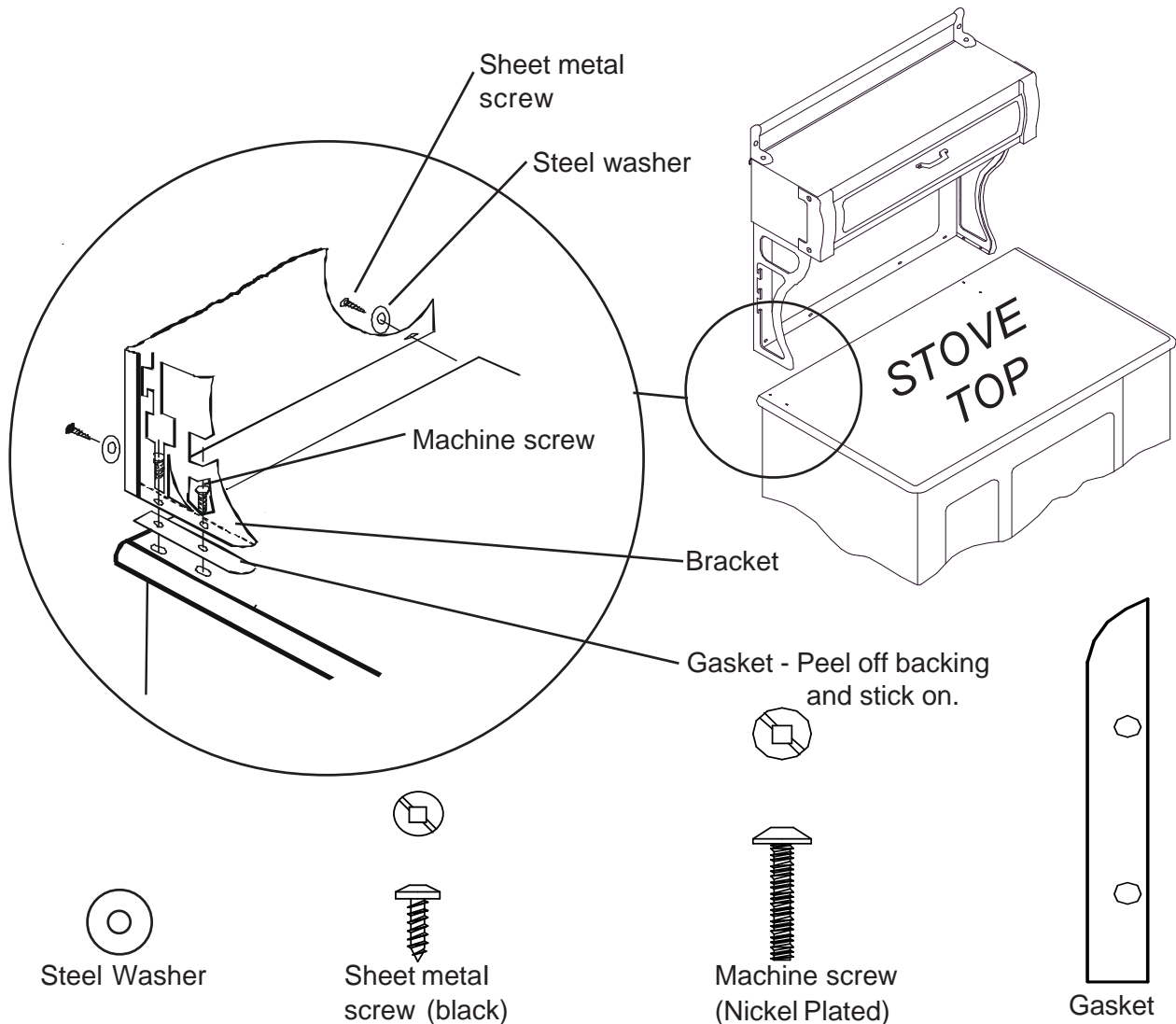
Take the wingnuts and fasten the crestring panel to the cabinet through the holes at each end of the cabinet. For:

WOOD STOVES - go through the cabinet door.

GAS, ELECTRIC & COMBINATION STANDARD OR SELF CLEAN STOVES - go through the filter openings.

(NOTE: if your cupboards are too low the crestring panel may be left off).

ELECTRIC AND COMBINATION STOVES ONLY



-Remember when working with the cabinet, the cabinet is top heavy. Use your hand to support it during installation.

-Place box on the floor close to stove. (See Fig. 1 Page 2).

-With a helper, lift cabinet assembly from box by area that is circled. (See Fig. 1 Page 2).

-Rest the cabinet assembly on the carton, while your helper steadies the cabinet, peel the cabinet backing off the gasket and stick one on each bracket.

-Place cabinet assembly onto stove body. (See diagram above)

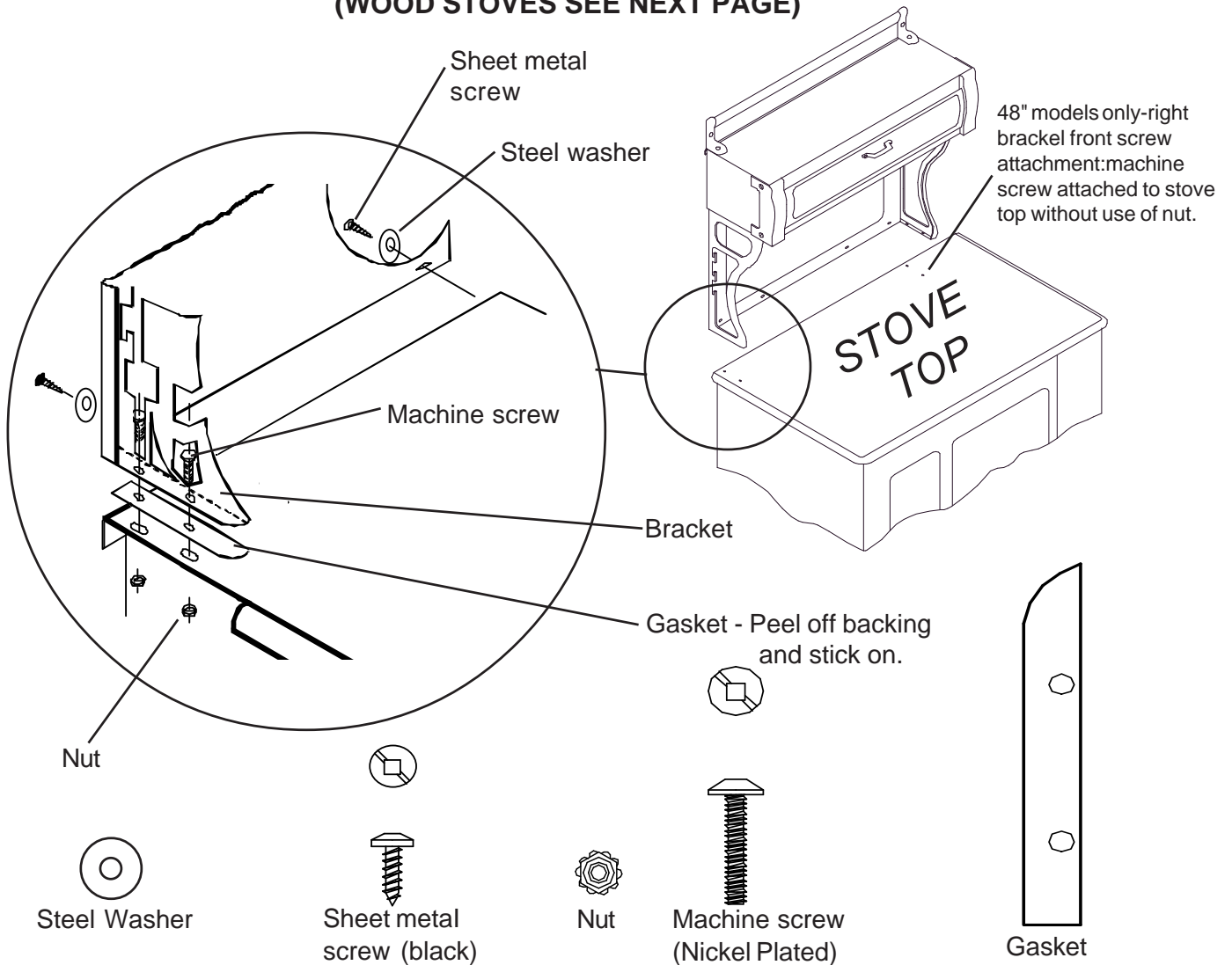
Caution: In the case of the Glass cooktop models 8200, 8210, 6200, 6210:

DO NOT REST CLOSET CORNER BRACKETS ON GLASS, to prevent damage to glass top

-Line up holes in the bottom (foot) of the bracket with the holes in the stove top, while one person supports the cabinet, fasten the cabinet brackets to the stove top with machine screws.

-To fasten the splashback to the rear of stove, with the Models 5200, 5210, 6200, 6210 use 5 sheet metal screws and washers. For Models 4200, 4210, 8200, 8210 use 4 sheet metal screws and washers. **To prevent chipping do not overtighten or use power tools.**

**GAS STOVES ONLY
(WOOD STOVES SEE NEXT PAGE)**



-Remember when working with the cabinet, the cabinet is top heavy. Use your hand to support it during installation.

-Place box on the floor close to stove. (See Fig. 1 Page 2).

-With a helper, lift cabinet assembly from box by area that is circled. (See Fig. 1 Page 2).

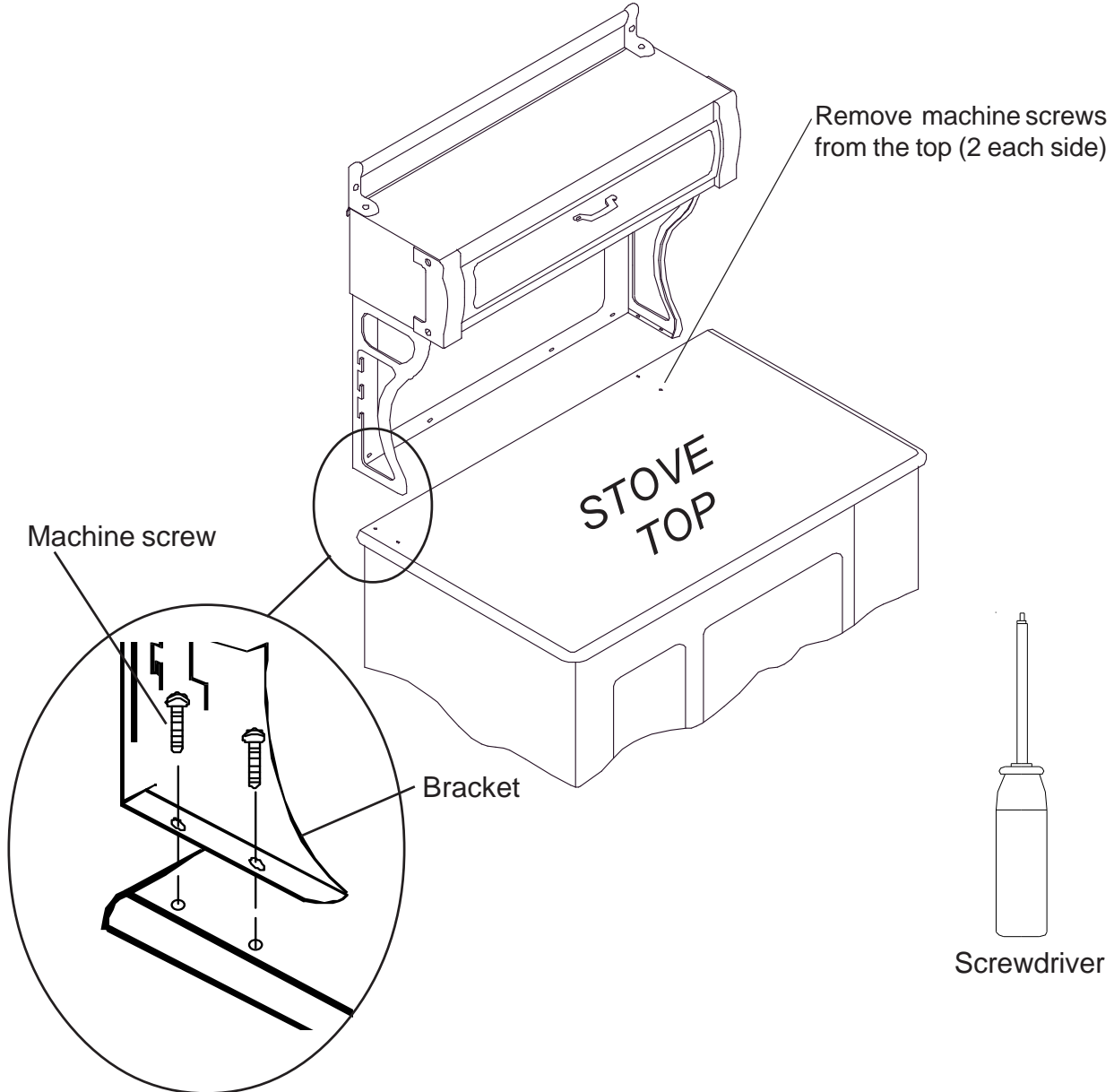
-Rest the cabinet assembly on the carton, while your helper steadies the cabinet, peel the cabinet backing off the gasket and stick one on each bracket.

-Place cabinet assembly onto stove body. (See diagram above)

-Line up holes in the bottom (foot) of the bracket with the holes in the stove top, while one person supports the cabinet, fasten the cabinet brackets to the stove top with machine screws and nuts.

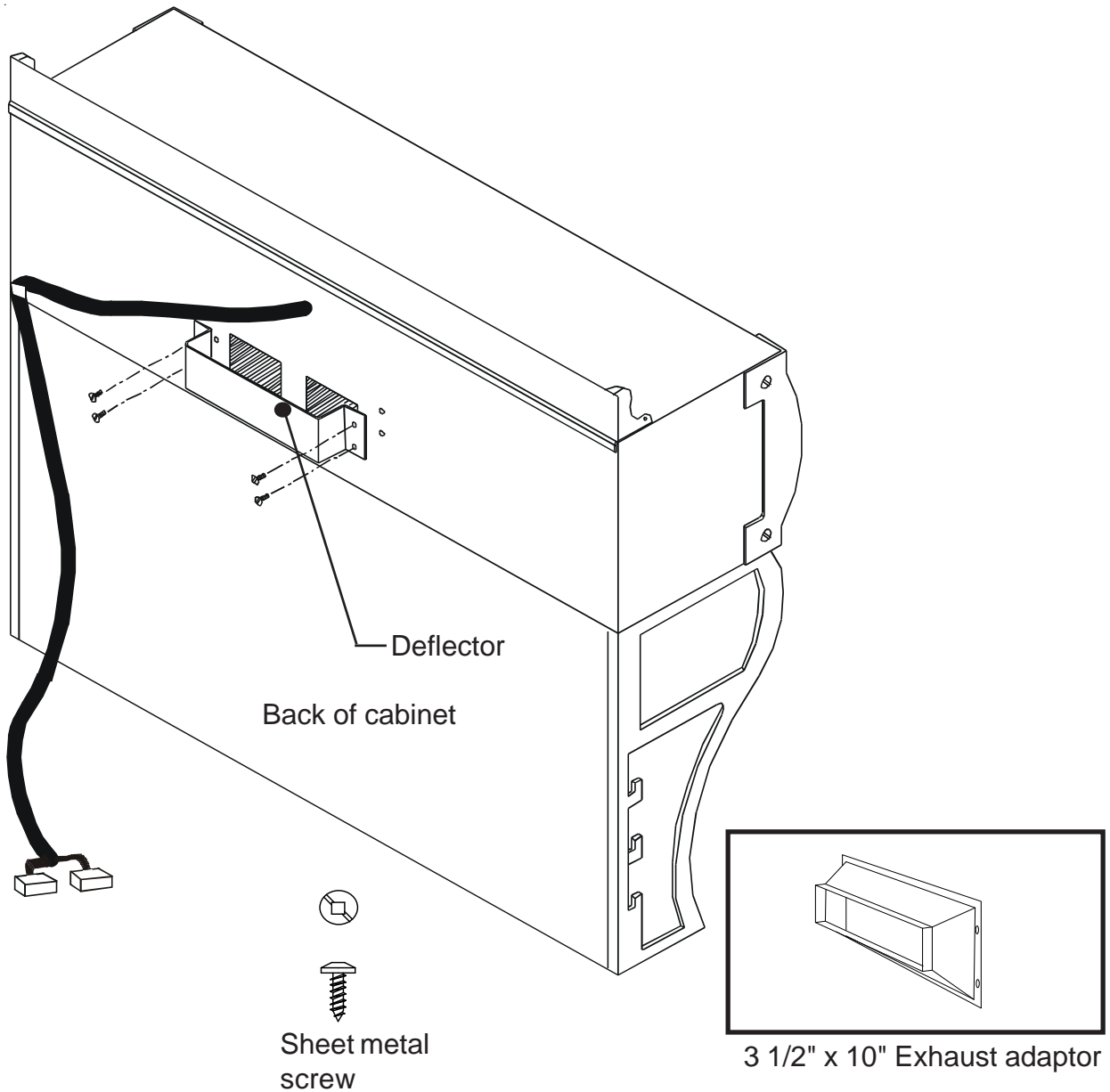
-To fasten the splashback to the rear of stove, with the Model 7200 use 5 sheet metal screws and washers. For Model 9200 use 4 sheet metal screws and washers. **To prevent chipping do not overtighten or use power tools.**

WOOD STOVES ONLY



- Place box on the floor close to stove. (See Fig. 1 Page 2).
- Remove the nuts, washers and screws located at rear edge of stove top (2 on SWEETHEART, 4 on OVAL) and the 4 machine screws from the stove top.
- With a helper, lift cabinet assembly from box by area that is circled. (See Fig. 1 Page 2).
- Place cabinet assembly onto stove body. (See diagram above).
- Line up holes in the bottom (foot) of the bracket with the stove top holes while one person supports cabinet, fasten the cabinet brackets to the stove with machine screws (2 each side). (See diagram above).
- Re-insert screws from the inside of the lip at the back of stove through the splashback, then assemble the nuts and washers to each screw (2 on a SWEETHEART 4 on OVAL). Tighten nuts to a snug fit. **To prevent chipping do not overtighten or use power tools.**

GAS, ELECTRIC AND COMBINATION STOVES ONLY

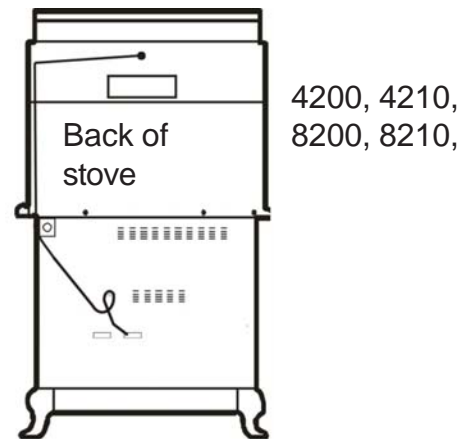
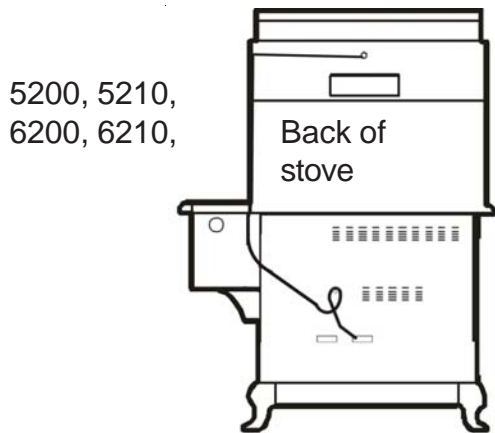


If you are not venting outside, attach the deflector to the rear of cabinet with 4, sheet metal screws. If you are venting outside, attach the 3 1/2" x 10" exhaust adaptor with 4, sheet metal screws. Fasten your exhaust ducting to the adaptor.

Note: maximum run of ducting is 25 linear feet (subtract 5' per 90 deg elbow added to the exhaust line and 2.5' per 45 deg elbow)

CONNECTING POWER TO THE CABINET COMBINATION AND ELECTRIC SELF CLEAN OR STANDARD STOVES ONLY (SEE NEXT PAGE FOR GAS STOVES)

After your exhaust hood has been installed the very last thing to do is to connect the multipin plug to the range. The receptacle is located at the rear of the stove by the main power cord.



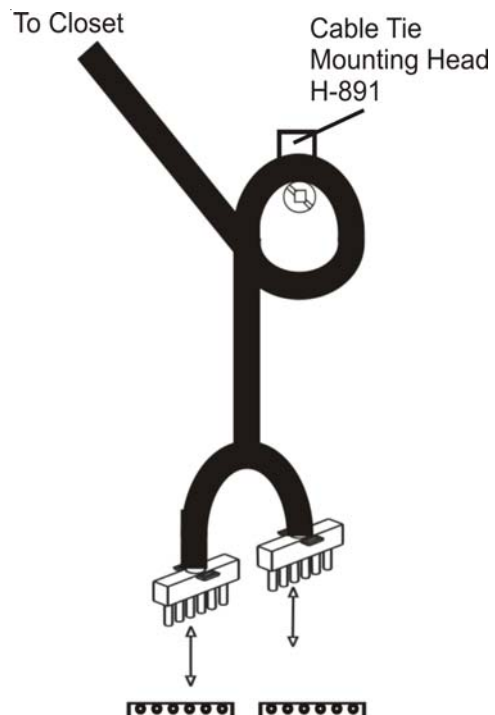
Exhaust Hood Recptacle Locations

When installing the multi-pin plugs, make sure the flat sided pins are aligned with flat sided holes. Each plug is coded for proper fit. **Do not force plug into receptacle.**

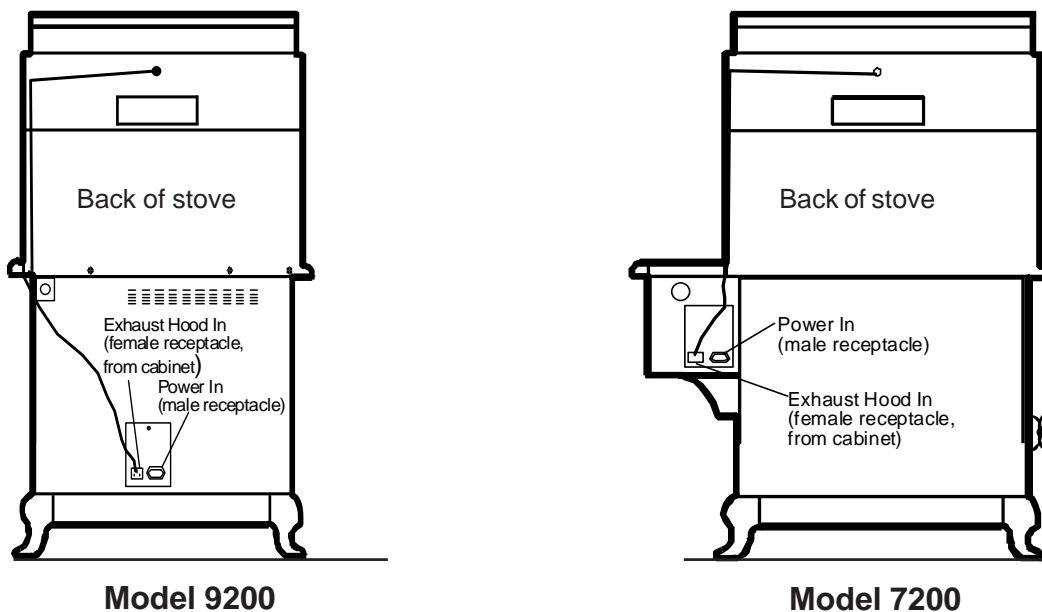
Insert the multi-pin plugs into corresponding receptacles- each plug is coded to match its receptacle.

Loop power cord on back and attach power cord to stove back with supplied cable tie and screw

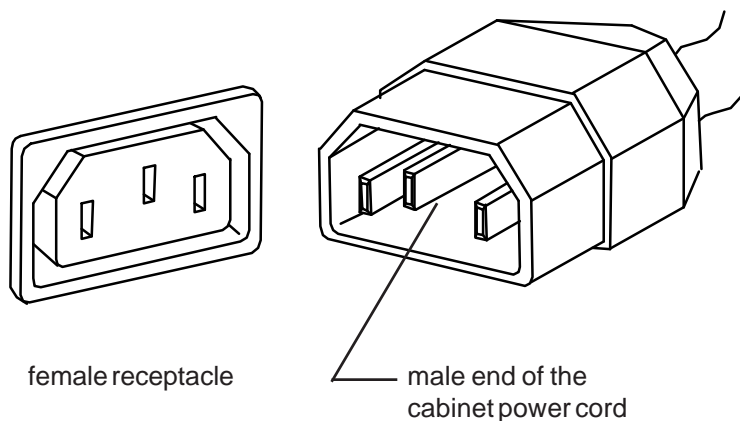
Plug the stove into wall receptacle. Check all electrical functions of the cabinet (fan, light, clock, etc.) and check again that ALL screws have been tightened before completing the installation.



GAS STOVES ONLY



Exhaust Hood Receptacle Locations



Models 7200, 9200 only

After your exhaust hood has been installed, connect the plug to the range. The female receptacle for the exhaust hood is located at the rear of the stove by the main power (male) receptacle. Simply plug the male end of the cabinet power cord into the female receptacle. Plug the stove into wall receptacle.

Check all electrical functions of the cabinet (fan, light, clock, etc.) and check again that ALL screws have been tightened before completing the installation.