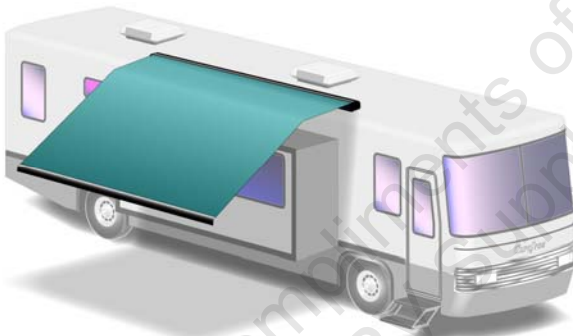




# OWNER'S MANUAL PARAMOUNT

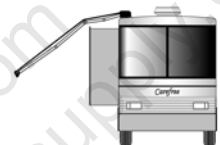
WITH DIRECT RESPONSE ELECTRONICS



Slide-Out Position



Window Position



Patio Position

## TABLE OF CONTENTS

<b>Introduction</b> .....	<b>2</b>
<b>Operation</b> .....	<b>2</b>
Basic Controls .....	3
Using the Remote Control .....	4
Remote Transmitter Battery .....	5
Programming the RF Receiver for a Remote .....	5
The Auto-Retract System .....	6
Awning Position and Rain .....	7
Manual Override .....	7
<b>Awning Care</b> .....	<b>8</b>
Fabric Care .....	8
Arm Care .....	8
<b>Carefree Major Product Limited Warranty</b> .....	<b>11</b>

## **INTRODUCTION**

From its beginning in the early 70's, Carefree of Colorado has emerged as the premier manufacturer of quality awnings and accessories for Recreational Vehicles (RVs). Our full line of products can provide the accessories that match your life style; no matter what type of RV you own. Check with your dealer to discover the products that can make your life more Carefree.

---

The Paramount Patio Awning offers the coach owner an awning system that provides as much or as little shade as required. The versatile awning system is available as a single awning or as a 2 or 4 awning combination with all awnings controlled at a single master control pad.

The uniquely designed Paramount awning provides 3 factory preset stops for your choice of shade covering.

- *Slide-Out Cover:* The awning opens to provide cover for your slide-out room.
- *Window:* The awning extends to provide window shade to cool the inside of your coach.
- *Patio:* The awning fully extends to provide a full patio awning.

Each unit is equipped with lateral support 2-stage arms that are the strongest available on the market. No vertical arms interfere with coach sidewalls or equipment that may be mounted on the roof.

The canopy is made from acrylic fabric. The canopies are housed in an aluminum case that easily blends in with the coach roof.

The unique and innovative 110V electronic control system provides Carefree's *Direct Response* system with interior pushbutton controls for standard extend/retract functions. The auto-retract system engages to automatically retract the awning in windy conditions. Sensitivity can be set to respond to a variety of wind speed conditions. An RF remote is included with the *Direct Response* system.

## **OPERATION**

The *Direct Response* system provides a wide range of awning controls with control panel operation in one convenient location. The standard operation is straight-forward with the buttons clearly labeled. The control panel is designed to allow the user to control each awning individually. Each function is described on the next page.

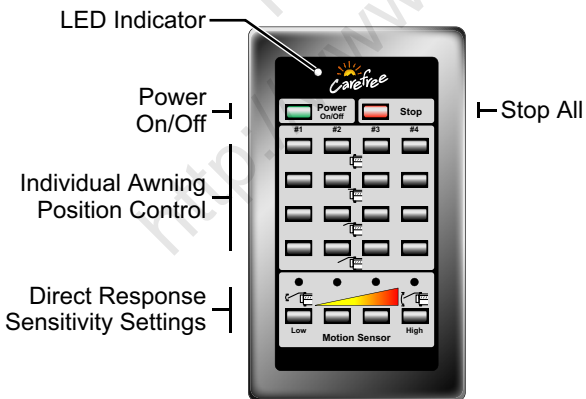
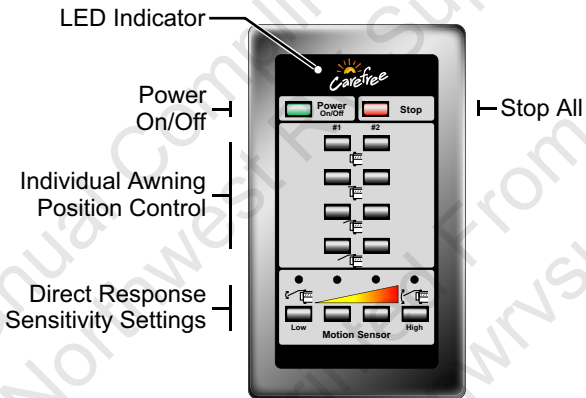
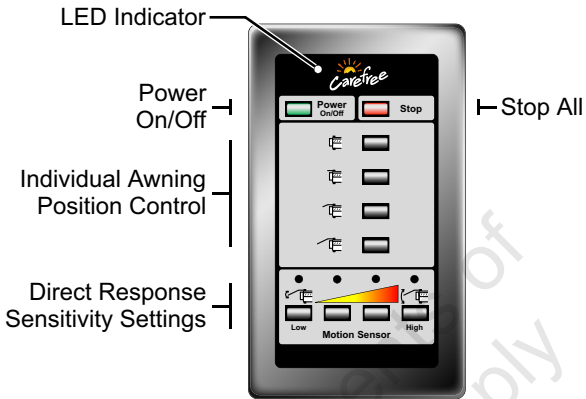
All function buttons are press ON. The auto-functions continue until the awning is extended or retracted to the desired position. It is not necessary to hold the button while the function is active.

**NOTE: If the optional Carefree EL ignition lockout is installed the system will disable the extend function while the vehicle ignition key is in the ON position.**





**Special order RTL ignition lockouts will fully retract the awning(s) and disable the extend function.**

**Functions will return to normal operation when the ignition key is turned OFF.**

**Coach manufacturers may install their own lockout design. Refer to the coach literature for AC power for accessories.**

**BASIC CONTROLS**

## Carefree of Colorado

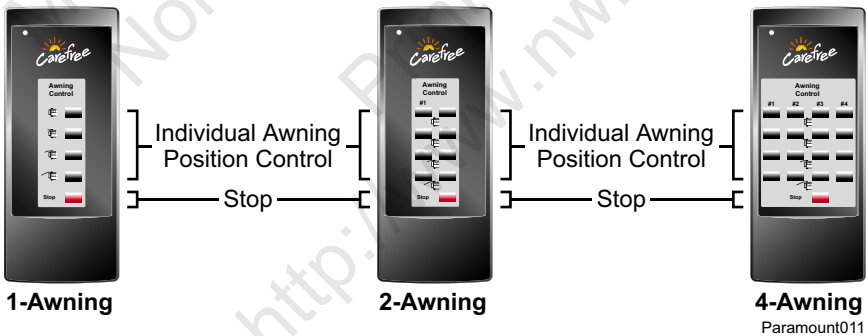
<b>LED Indicator</b>	Steady ON when power is ON. LED will dim and fast flash when a function key is pressed. LED will slow flash if a motion sensor is disengaged or otherwise disabled.
<b>Power ON/OFF</b> (green button)	<u>Press ON/Press Off.</u> The power switch must be on before any awning functions can be used. When the power is ON, the LED indicator will illuminate. The Direct Response Auto-Retract is active when awning power is ON.
<b>Stop All</b> (red button)	<u>Press and release.</u> During extend and retract functions, the operator may stop the awnings by pressing this button.
<b>Position Controls</b>	<b>Close</b>  <u>Press and release.</u> With the awning at any position. The awning fully closes.
	<b>Slide-Out</b>  <u>Press and release.</u> The awning will extend (or retract) to the factory set position to function as a slide-out cover.
	<b>Window</b>  <u>Press and release.</u> The awning will extend (or retract) to the factory set position to provide window shade.
	<b>Patio</b>  <u>Press and release.</u> The awning fully extends to the patio position.

### Operational Notes:

When AC power is disconnected, the system "remembers" the last settings for "POWER" (on/off) and sensitivity (i.e. low).

If the AC power source is disrupted while the awning is moving, the awning will stop. When power is restored, extend and retract functions will operate normally. Immediately pressing an intermediate stop (slide-out or window) the awning will first fully retract then go to the selected position.

## USING THE REMOTE CONTROL



A remote control is provided with the *Direct Response* system. In simple terms, the remote functions in the same manner as the stationary control panel. The remote allows you to operate the awning from any convenient location.

To use: turn system power ON at the control panel.

**NOTE:** Power ON/OFF and the Auto-Retract settings can only be operated at the control panel.

The remote has a maximum operating range of 50 feet. Actual distance may vary depending on the specific installation and location of the receiver in the vehicle.

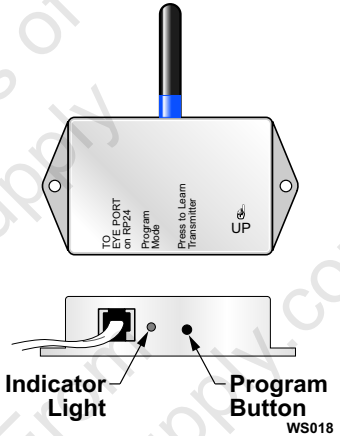
## REMOTE TRANSMITTER BATTERY

The remote uses two standard AAA Batteries that should provide a long period of service. To access: open the access cover on the back of the case. Batteries are available through your local battery outlets.

## PROGRAMMING THE RF RECEIVER FOR A REMOTE

When adding or replacing a remote control, it is necessary to program the transmitter and receiver.

1. Power to the control box must be on.
2. Locate the receiver box.
3. Press and release the "Press to Learn Transmitter" button on the bottom of the receiver box. The receiver is in program mode when the red light comes on.
4. Press and release any button on the remote, it is recommended to use the stop button. The red light will go out after the receiver learns the remote signal.



### ⚠ CAUTION

ANY BUTTON ON THE REMOTE MAY BE PRESSED. WHEN THE RECEIVER LEARNS THE TRANSMITTER SIGNAL THE SYSTEM WILL PERFORM THE OPERATION OF THE BUTTON PRESSED. EXAMPLE: PRESSING AN "EXTEND" BUTTON DURING THE LEARNING PHASE WILL CAUSE THE AWNING TO EXTEND WHEN THE RECEIVER LEARNS THE SIGNAL. USE CAUTION TO AVOID UNEXPECTED MOVEMENT BY THE AWNING.

5. Repeat steps 2 and 3 for each additional remote.

### OPERATIONAL NOTES:

- Transmitter and receiver operate on a frequency of 433MHz.
- The receiver exits the program mode after ten seconds.
- If the light does not come on in step 2, check the continuity of the cord between the boxes and repair or replace as required. Pin 1 of the 1<sup>st</sup> connector goes to pin 1 of the 2<sup>nd</sup> connector etc. If the light still does not come on, the memory is full and must be cleared.
- If the light does not go out in step 3, the receiver already knows the transmitter's signal or the battery in the remote needs to be replaced.
- To clear the memory: **PRESS AND HOLD** the transmitter learn button. While holding the button, the indicator light should be OFF for the full 5 seconds then come on.
- The system may be programmed for up to 5 remotes. Additional remotes may be ordered separately.

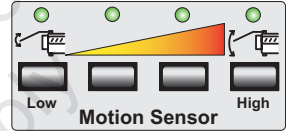
## THE AUTO-RETRACT SYSTEM

The system is active when the awning power is on and disabled when the power is shut off. To turn on the system, press the power button ON at the master panel.

The *Direct Response* system detects awning motion caused by windy conditions. The motion sensor is located in the lead rail. The system operates by gauging the vertical motion of the awning's leading edge. When persistent motion exceeds the factory preset threshold value for 2 seconds or longer, the system automatically retracts the awning to the slide-out position. The control panel provides 4 factory preset sensitivity values (threshold values). You may have to experiment to find the best setting for your preferences.

**Low**.....The lower the selection, less motion is required before the system closes automatically.

**High**.....The higher the selection, more motion is required before the system closes automatically.



The auto-retract system functions in two stages. The first stage is described above and applies when the awning is extended past the slide-out position. The awning will retract and stop at the slide-out cover position to provide continued protection for the slide-out room.

When in the slide-out cover position, the awning is very robust. The auto-retract system is active but uses a higher factory preset threshold value for extreme weather conditions. When the motion of the awning exceeds the extreme weather threshold, the awning will close to the full retract position. The second stage sensitivity (threshold) value is not controlled by the keypad settings.

Gust detection is incorporated into the software. When the motion value is suddenly and sharply increased above a safe maximum value, then the 2 second persistence measure is overridden and the awning closes immediately.

**NOTE: If the Indicator LED flashes (slow pulse), this indicates that the motion sensor(s) has been disengaged or otherwise disabled; the affected awning(s) are not protected by the auto-retract function. The awning must be retracted using the command buttons. Immediately contact a Carefree service center for service.**

**IMPORTANT NOTE FOR MULTIPLE AWNING CONFIGURATIONS:** Each awning has an independent motion sensor. During windy conditions, the awnings may not retract concurrently.

## AWNING POSITION AND RAIN

When properly installed, the robust design of the Paramount allows the awning to function as a cover for slide-out rooms, even in inclement weather.

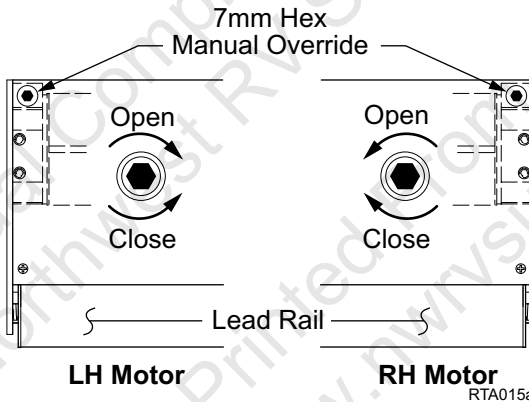
When there is rainy weather, retract the awning to the slide-out position to keep your room protected.

### ⚠ CAUTION

**THE CAREFREE DIRECT RESPONSE SYSTEM IS A PREMIERE ELECTRONIC AUTO-RETRACT SYSTEM THAT PROVIDES PROTECTION AGAINST ADVERSE ELEMENTS; BUT, NO AUTO-RETRACT SYSTEM IS A GUARANTEE AGAINST SEVERE OR DESTRUCTIVE WEATHER; THE EFFECTS OF WIND AND RAIN ON AN AWNING ARE UNPREDICTABLE AND MAY CAUSE SEVERE DAMAGE TO THE AWNING AND/OR VEHICLE. IF WIND OR EXTENDED PERIODS OF RAIN ARE EXPECTED, RETRACT THE AWNING TO THE SLIDE-OUT COVER POSITION OR TO THE FULLY CLOSED POSITION IF THE ROOM IS RETRACTED.**

## MANUAL OVERRIDE

If 110V power is not available to the coach, the Paramount awning can still be safely retracted using the manual override.



1. The bypass is located inside the case, near the end cap. To access, remove the large rubber plug on top of the awning located toward the rear of the case on the motor side.
2. Chuck the supplied 7mm hex key into a 3/8" battery powered drill.
3. Insert the hex key into the manual override on the awning.
4. Operate the drill in the direction shown in the diagram to close the awning. Reverse the drill to open the awning.
5. When done, reinsert the rubber plug.

## **AWNING CARE**

Maintaining a Carefree Awning is easy. Just follow these basic steps:

- Always operate the awning according to the instructions.
- Periodically check that the fasteners are tight. Tighten if necessary.
- Keep the awning fabric and arms clean.

## **FABRIC CARE**

### **CAUTION**

**DO NOT USE OIL BASED CLEANERS OR ANY CAUSTIC, GRANULATED, OR ABRASIVE TYPE CLEANERS ON YOUR CAREFREE PRODUCT.**

1. One of the best ways to keep the fabric looking good and to delay the need for deep or vigorous cleanings is to hose fabrics off on a monthly basis with clear water. This practice will help prevent dirt from becoming deeply imbedded in the fabric. In most environments, a thorough cleaning will be needed every two to three years.
2. When it is time for a thorough cleaning, the fabric can be cleaned while still on the awning frame. For Acrylic Fabric – Use a stiff brush and warm water with soap.
3. When cleaning the fabric, it is important to observe the following:
  - Always use a natural soap, never detergent.
  - Water should be cold to lukewarm, never more than 100°F.
  - Air-dry only. Never apply heat to the fabric.
  - Always allow the fabric to dry thoroughly before rolling up the awning.

## **MILDEW**

Mildew is a fungus growth that looks like dirt. Under ordinary conditions, mildew will not appear. However, in areas where high temperature and humidity are common, mildew can be a problem and required the material to be washed more frequently. Thoroughly rinse the fabric with clean water and allow to air dry completely before rolling up the awning.

## **POOLING**

When water collects on the top of the fabric, this is known as "pooling". This can occur during inclement weather or if a running air conditioner discharges over the awning. The water is dumped when the awning is retracted. It is recommended that if water accumulates on the top; retract the awning in steps (8"-12") to dump the water. This will help prevent the fabric from stretching or distorting.

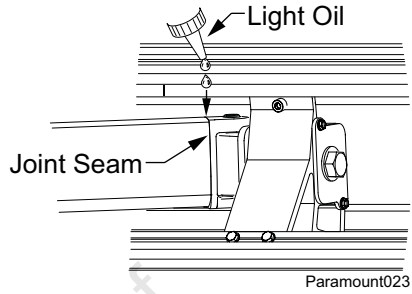
## **ARM CARE**

The best method of keeping the arms operating smoothly is to clean them. Dirt and debris can cause the channels not to pivot easily. Periodically wash the channels with running water (i.e. a hose). If the joints do not flex easily, lightly spray the pivot pins with a dry silicone lubricant, after the arms have been cleaned and dried thoroughly.



**ARM NOISE**

After a period of use, the arm knuckle joints may slide together slightly making a squeaking or squealing noise; this is normal and not a reason for concern. To reduce the sound, apply a few drops of light oil (3 in 1 or equivalent) on the knuckle joint seams. Allow some time for the oil to penetrate into the joint.



Manual Compliments of  
Northwest RV Supply  
Printed From  
<http://www.nwrvsupply.com>



---

## **CAREFREE MAJOR PRODUCT LIMITED WARRANTY**

Carefree of Colorado (hereafter referred to as Carefree) warrants to the first retail Purchaser that the Carefree Product is free of defects in material and workmanship within the terms and conditions as set forth in the warranty statement available online at [www.carefreeofcolorado.com](http://www.carefreeofcolorado.com). Carefree's obligation under this warranty is limited to the repair or replacement, at Carefree's option, of any defective component with new or factory refurbished components.

OWNER MUST RETAIN THE ORIGINAL PROOF OF PURCHASE AND/OR HAVE THE PRODUCT WARRANTY REGISTRATION ON FILE AT CAREFREE FOR WARRANTY CLAIMS.

THIS WARRANTY IS NOT TRANSFERABLE.

**For**

- **Warranty Duration;**
- **Warranty Coverage and Exclusions;**
- **Warranty Terms of Coverage; and,**
- **Warranty Claim Procedures**

**Refer to publication**

**052580-111 "Carefree Major Product Limited Warranty"**  
**available online at**

**[www.carefreeofcolorado.com](http://www.carefreeofcolorado.com)**

**Register your Carefree products on-line at [www.carefreeofcolorado.com](http://www.carefreeofcolorado.com)**

---

*Publications available on-line @ [www.carefreeofcolorado.com](http://www.carefreeofcolorado.com):*

**052548-001 Paramount Installation Manual**

**052548-201 Paramount Owner's Manual**

**052548-301 Paramount Service Manual**

**IMPORTANT NOTICE:** It is strongly recommended that adjustments and repairs not described in this book be performed by trained technicians at your Authorized Carefree Dealer. Work performed by non-authorized persons or businesses may void warranty.



[www.carefreeofcolorado.com](http://www.carefreeofcolorado.com)

This Manual is Compliments of

# Northwest RV Supply

86325 College View Road  
Eugene, OR 97405

Local: 541-746-9092

Toll-Free: 866-678-7467

Fax: 541-736-5573

<http://www.nwrvsupply.com>  
[mail@nwrvsupply.com](mailto:mail@nwrvsupply.com)

Northwest RV Supply carries a large spectrum of surplus, used, and new RV parts and components. Please feel free to visit our website for additional information.