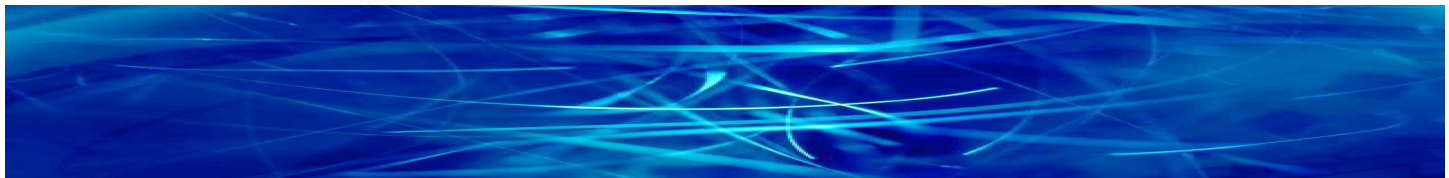




STATE OF ALABAMA
Department of Finance
Division of Purchasing
Contract Price List
(Revision July 01,2009)

Catalog Number: 20090615AL



Midland Radio Corporation

5900 Parretta Drive
Kansas City MO 64120-2134
Telephone: 816-241-8500
Toll Free: 800-821-7848
Fax: 816-241-5713
Toll Free Fax: 800-821-8528

Contact Information

Name	Title	Phone	Fax	Email
Liz Hawkins	Customer Service Specialist	816-461-0432	816-241-5713	lhawkins@midlandradio.com
Georgette Crocker	Customer Service Specialist	816-462-0443	816-241-5713	gcrocker@midlandradio.com
Scott Henderson	Vice President LMR Sales	816-462-0427	816-241-5713	shenderson@midlandradio.com
Clyde Keith	Director of Govt. Sales East	407-493-4787		ckeith@midlandradio.com
Gary Sell	Western Regional Sales Manager	816-462-0424	816-241-5713	gsell@midlandradio.com
Keith Davis	Director of Govt. Sales West	816-462-0442	816-241-5713	kdavis@midlandradio.com
Roger Powell	Eastern Regional Sales Manager	816-461-0448	816-241-5713	rpowell@midlandradio.com
Susan Ballew	Director, Govt. Contracting	816-462-0434	816-241-5713	sballew@midlandradio.com

Warranty & Technical

Name	Title	Phone	Fax	Email
Jeff Brame	Service Supervisor	816-462-0438	816-241-5713	jbrame@midlandradio.com
David Kingsolver	Director of Engineering	816-462-0437	816-241-5713	davidk@midlandradio.com

Commercial Warranty Clause

Midland Radio Corporation equipment is designed and manufactured to provide quality trouble-free service for the user. To assure that each unit lives up to this standard of quality, all transceivers are individually inspected before being released into distribution. To supplement this rigid quality control, Midland Radio Corporation equipment is covered by the following written warranty, which is extended by Midland Radio Corporation to the end user.

Warranty Statement

Midland Radio Corporation (herein MRC), warrants each new radio product manufactured to be free from defects in material and workmanship under normal use and service for the time period listed below. This warranty is offered to the original end user and is not assignable or transferable. MRC repair without charge any Midland Radio transmitter which fails due to a defect in material or workmanship within the period of time following the date of original purchase as described below:

Midland Radio Corporation Products

ML and MO Series Mobiles / SD Series Data Modules	Three (3) Years
Syn-Tech III P25 Portables and Mobiles, and PL-5000 Series Portables, Titan Mobiles	Three (3) Years
Syn-Tech II Analog Conventional Base/Control - Repeater Stations	Five (5) Year
Syn-Tech III P25 Conventional Base/Control - Repeater Stations	Five (5) Year

MRC will also repair or replace, at its option, without charge, any Midland Radio accessory item which failed and were not a part of or installed in new Midland Radio transceivers at the time of purchase by initial user and all external accessory items (i.e. cases, batteries, antennas, microphones, etc.), which fail due to defect in material or workmanship within the period of time following the date of original user purchase as described below:

Midland Radio Corporation Accessories

Rechargeable Batteries	One (1) Year
Battery Chargers	One (1) Year
All other Accessories	One (1) Year
Midland Authorized Repair Parts	90 days

This warranty does not cover any option or accessory not furnished by MRC, or damage caused by such options or accessories. This warranty excludes damage caused by improper operation, testing, repair, modification, alteration, adjustment, installation, or maintenance. Damage resulting from either accident or neglect is also excluded. This warranty does not include cost of labor for removal or reinstallation of the product or accessory in a vehicle or other mounting.

THIS WARRANTY IS EXTENDED BY MIDLAND RADIO CORPORATION IN LIEU OF ALL OTHER WARRANTIES EITHER EXPRESSED OR IMPLIED INCLUDING THE IMPLIED WARRANTY OF MERCHANT ABILITY. MIDLAND RADIO CORPORATION DOES NOT AUTHORIZE ANY PERSON TO CREATE FOR IT ANY OTHER OBLIGATION OR LIABILITY IN CONNECTION WITH ITS PRODUCTS. MIDLAND RADIO CORPORATION SHALL IN NO EVENT BE LIABLE FOR LOSS OF TIME, INCONVENIENCE, COMMERCIAL LOSS, OR CONSEQUENTIAL DAMAGES. SOME STATES DO NOT ALLOW THE EXCLUSION OF IMPLIED WARRANTIES, OR INCIDENTAL OR CONSEQUENTIAL DAMAGES, SO THE ABOVE EXCLUSION MAY NOT APPLY TO YOU.



TERMS AND CONDITIONS

Minimum Purchase: The minimum purchase requirement for orders is \$25.00. Any orders less than \$25.00 will be subject to a \$10.00 handling fee.

Column Pricing: Radios may be mixed or matched to achieve quantity pricing per single order on the same day. No scheduled shipments.

Payment Terms: 2% 15 Net 30 days from invoice date, with approved credit. Only cash, check or money order payments are eligible for discount. Any dishonored payments for any reason (such as NSF check) will forfeit the discount. Any account that becomes past due or exceeds credit limit is subject to being placed on credit hold. A 2% cumulative late charge will be added monthly to past due invoices.

Freight Policy: Unless specified, shipments will be made via best way, with shipping charges prepaid and added to the invoice. Any order totaling \$3,000.00 or more will be shipped prepaid via ground freight to a single destination within the continental United States. SHIPMENTS ARE: FOB North Kansas City, Missouri with freight prepaid or collect as applicable.

Freight Claims: For Fed Ex and UPS - Shipper is responsible for filing claims with carrier for lost goods. Consignee is responsible for filing claims with carrier for damaged goods. Shipments become the property of the purchaser upon acceptance of the goods by the motor freight carrier from Midland Radio Corporation. It is the purchaser's responsibility to submit claims for loss and/or damage directly to the carrier. A copy of the bill of lading or proof of delivery will be made available upon request.

Guidelines for Returning Goods

Return for Repair: Merchandise being returned for repair can be sent directly to: Midland Radio Corporation
Attn: Service Department
5900 Parretta Drive
Kansas City, Mo. 64120

Shipments are to be sent via freight prepaid. Midland will return the product freight prepaid via best way. Midland reserves the right to repair or exchange the units.

Return for Credit: Merchandise returned for credit must receive prior approval from Midland, and is subject to a 15% restocking fee. With approval from Midland, a Return Merchandise Authorization (RMA) number will be issued. The RMA number is valid for one shipment only. The returned product should match the specified models and quantity stated on the authorized RMA. Midland reserves the right to verify cause of return and to adjust or re-bill should any discrepancies occur. Returns exceeding the quantities stated on the RMA will have the overage returned to the customer freight collect. Shipments are to be sent via freight prepaid. Product must be received by Midland within 30 days from the issuance date of RMA number.

Merchandise being returned for credit can be sent directly to: Midland Radio Corporation
RMA # -----
5900 Parretta Drive
Kansas City, Mo. 64120



Midland Radio Corporation P25 Portable / Mobile Product Order Form

STP SERIES P25 PORTABLES

ITEM	CATEGORY	MODEL #	DESCRIPTION	QTY	COST	TOTAL
1	Portable Radio					
	Antennas					
	Batteries					
2	Battery Chargers					
3	P25 Digital Software Option					
	DES / DES-OFB / AES Encryption					
	Command Tactical Zone Option					
4	Audio Accessories					
	Audio Accessories Additional Item					
	Audio Accessories Additional Item					
5	Carrying Accessories					
	Carry Accessories Additional Item					
	Carry Accessories Additional Item					
6	Programming Software					
	Programming Additional Item					
7	Service Items					
	Service Items Additional Item					
	Service Items Additional Item					
	Service Items Additional Item					
SUB-TOTAL						

MOBILES

ITEM	CATEGORY	CODE	DESCRIPTION	QTY	COST	TOTAL
1	Mobile					
2	P25 Digital Software Option					
	DES / DES-OFB / AES Encryption					
	Command Tactical Zone Option					
2	Programming					
	Programming Additional Item					
3	Service Items					
	Service Items Additional Item					
	Service Items Additional Item					
4	Manuals and Service Information					
SUB-TOTAL						

STP SERIES P25 PORTABLES

FEATURES

Fully Programmable P25 Compliant
Digital, Analog and Multi-Mode Capability
255 Zones / 999 Channels with Tactical Grouping, Priority Scan
Dual Mode Operation - Digital / Analog Same Channel
Emergency / Auxiliary Key
User Selectable CTCSS / DCS / NAC on a Per Channel Basis
2.5 / 3.125kHz Frequency Stepping
One of the Industries Smallest Portables; with Excellent Battery Life
Optional DES / AES Encryption
True DTMF Output in Digital Mode (For Remote Functions)
Keypad Programmable
Cloning Capability



P25 Portables

MODEL	DESCRIPTION	LIST	CONTRACT
	VHF/ 5 Watt, 138-174 MHz (B Band); Includes Battery, Antenna and Belt Clip	\$2,744.50	\$1,783.93
STP-404A	UHF/ 4 Watt, 380-450 MHz (A Band); Includes Battery, Antenna and Belt Clip	\$2,744.50	\$1,783.93

Antennas

MODEL	DESCRIPTION	LIST	CONTRACT
ACC-136	VHF Helical Antenna, SMA (Green 136-146MHz) for STP Series P25 Portables	\$19.80	\$12.87
ACC-155	VHF Helical Antenna, SMA (Yellow 146-155MHz) for STP Series P25 Portables	\$19.80	\$12.87
ACC-154	VHF Helical Antenna, SMA (Black 154-164MHz) for STP Series P25 Portables	\$19.80	\$12.87
ACC-163	VHF Helical Antenna, SMA (Blue 163-174MHz) for STP Series P25 Portables	\$19.80	\$12.87
ACC-170	UHF Portable Antenna, for STP-404 Series Portables	\$19.80	\$12.87
ACC-155E	VHF Gain Antenna, SMA (Brown 150-160MHz) for STP Series P25 Portables	\$23.10	\$15.02
ACC-165E	VHF Gain Antenna, SMA (Black 155-165MHz) for STP Series P25 Portables	\$23.10	\$15.02
ACC-175E	VHF Gain Antenna, SMA (Orange 165-175MHz) for STP Series P25 Portable	\$23.10	\$15.02

STP SERIES P25 PORTABLE ACCESSORIES



Accessories - Contin...

Battery

MODEL	DESCRIPTION	LIST	CONTRACT
ACC-1800	1800mAh Li-Ion (Lithium Ion) Battery for STP Series P25 Portables	\$214.50	\$139.43
90-1015	Alkaline Battery Clamshell	\$110.00	\$71.50

Battery Charger

MODEL	DESCRIPTION	LIST	CONTRACT
ACC-451	Single Unit Desktop Charger (Includes ACC-1411 power supply)	\$143.00	\$92.95
ACC-1411	Power Supply, 110V AC for use with ACC-451 Chargers	\$22.00	\$14.30
ACC-455	Single Unit Vehicular Charger	Pending	Pending

P25 Software Control Options

MODEL	DESCRIPTION	LIST	CONTRACT
96-2501	DES / DES-OFB / AES Encryption	\$825.00	\$536.25
96-2516	Command Tactical Zone Option	\$550.00	\$357.50
MKM25	Encryption Key Loader Software	\$550.00	\$357.50

P25 Series Portable Audio Accessories

MODEL	DESCRIPTION	LIST	CONTRACT
ACC-720	Heavy Duty Speaker Microphone with Hirose Connector	\$198.00	\$128.70
ACC-718	Standard Duty Lapel Speaker Microphone with Hirose Connector for STP Series P25 Portables	\$126.50	\$82.23
ACC-614	Headset - Light Weight Standard In-line PTT with Pigtail for Remote PTT Options	\$192.50	\$125.13
ACC-625	Headset - Heavy Duty, Single Speaker, Behind-the-Head, Standard In-line PTT with Pigtail for Remote PTT Options	\$577.50	\$375.38
ACC-610	Banded Headset - Tactical IV with Boom Mic and 80mm Body PTT	\$418.00	\$271.70
90-1170	3 Wire Surveillance kit	\$166.10	\$107.97

STP Series P-25 Portable Accessories



P25 Digital Programming

MODEL	DESCRIPTION	LIST	
MRP25	PC Programming Software (Windows® XP or 2000)	\$165.00	\$107.25
ACC-2600	PC Programming Interface Cable	\$214.50	\$139.43
91-1300	USB to 9-Pin Serial Adapter	\$55.00	\$35.75
91-1309	PC Programming Interface Cable Kit (Includes ACC-2600 and 91-1300)	\$220.00	\$143.00
ACC-2305	P25 Series Portable/Mobile Cloning Adaptor	\$137.50	\$89.38
97-2510	Factory Programming (Each)	\$137.50	\$89.38

P25 Series Portable Audio Accessories

MODEL	DESCRIPTION	LIST	
ACC-720	Heavy Duty Speaker Microphone with Hirose Connector	\$198.00	\$128.70
ACC-718	Standard Duty Lapel Speaker Microphone with Hirose Connector for STP Series P25 Portables	\$126.50	\$82.23
ACC-614	Headset - Light Weight Standard In-line PTT with Pigtail for Remote PTT Options	\$192.50	\$125.13
ACC-625	Headset - Heavy Duty, Single Speaker, Behind-the-Head, Standard In-line PTT with Pigtail for Remote PTT Options	\$577.50	\$375.38
ACC-610	Banded Headset - Tactical IV with Boom Mic and 80mm Body PTT	\$418.00	\$271.70
90-1170	3 Wire Surveillance kit	\$166.10	\$107.97

STP Series Portable Carrying Accessories

MODEL	DESCRIPTION	LIST	
ACC-306	Nylon Carry Case with Belt Clip for STP Series P25 Portables	\$30.80	\$20.02
ACC-316	Nylon Carry Case with Swivel Clip Belt Loop for STP Series P25 Portables	\$36.30	\$23.60
ACC-326	Leather Carry Case with Swivel Clip Belt Loop for STP Series P25 Portables	\$66.00	\$42.90
550-070-2002	Belt Clip, Extra Long	\$8.80	\$5.72

STP Series P-25 Portable Accessories



P25 Service Items

MODEL	DESCRIPTION	LIST	
MRA25	Alignment Service Software for Midland P25 Series Mobile and Portable Radios (Requires ACC-2205 and alignment test cables)	\$302.50	\$196.63
ACC-2205	Test / Alignment Interface Box for P25 Series Portables / Mobile Radios	\$632.50	\$411.13
950-020-0006	P25 Portable Radio Test / Alignment Interface Cable for use with ACC-2205	\$253.00	\$164.45
680-100-2020	STP Series P25 Portable Radio Service Manual	\$137.50	\$39.38
680-090-2040	STP Series P25 Portable Radio Owner's Manual	\$6.60	\$4.29

STM SERIES 50 / 110 WATT P25 MOBILES

FEATURES

- Fully Programmable P25 Compliant
- Digital, Analog and Multi-Mode Capability
- 255 Zones / 999 Channels with Tactical Grouping, Priority Scan
- Dual Mode Operation - Digital / Analog Same Channel
- Emergency / Auxiliary Key
- User Selectable CTCSS / DCS / NAC Per Channel
- 2.5 / 3.125kHz Frequency Stepping
- Zone Selectable Cloning and / or Programming
- Optional DES / AES Encryption
- True DTMF Output in Digital Mode (For Remote Functions)
- Keypad Programmable
- 8 Programmable Soft Keys



P-25 Mobile Radios: VHF 50W UHF 40W

MODEL	DESCRIPTION	LIST	CONTRACT
STM-1050B	VHF/ 50 Watt, Dash Mount Mobile, 138 - 174 MHz; Includes Microphone, DC Power/Speaker Cable, Mounting Bracket, and External Speaker	\$3,294.50	\$2,141.43
STM-1055B	VHF/ 50 Watt, Trunk Mount Mobile, 138 - 174 MHz; Includes Microphone, Remote Trunk Mount Kit with Control Head Rear Cover, Control Cable, DC Power/Speaker Cable, Mounting Bracket and External Speaker	\$3,514.50	\$2,284.43
STM-4040A	UHF/ 40 Watt Dash Mount Mobile, 380 - 450 MHz (A Band); Includes Microphone, DC Power/Speaker Cable, Mounting Bracket, and External Speaker	\$3,349.50	\$2,177.18
STM-4045A	UHF/ 40 Watt, Trunk Mount Mobile, 380 - 450 MHz (A Band); Includes Microphone, Remote Trunk Mount Kit with Control Head Rear Cover, Control Cable, DC Power/Speaker Cable, Mounting Bracket, and External Speaker	\$3,569.50	\$2,320.18

P-25 Mobile Radios: VHF 110W Trunk Mount

STM-1115B	VHF/ 110 Watt, Trunk Mount Mobile, 138 - 174 MHz; Includes Microphone, Remote Trunk Mount Kit with Control Head Rear Cover, Control Cable, DC Power/Speaker Cable, Mounting Bracket and External Speaker	\$3,685.00	\$2,395.25
-----------	--	------------	------------

STM SERIES P25 MOBILE Accessories



P25 Software Control Options

MODEL	DESCRIPTION	LIST	CONTRACT
96-2501	DES / DES-OFB / AES Encryption	\$825.00	\$536.25
96-2516	Command Tactical Zone Option	\$550.00	\$357.50
MKM25	Encryption Key Loader Software	\$550.00	\$357.50

P25 Digital Programming

MODEL	DESCRIPTION	LIST	CONTRACT
MRP25	PC Programming Software (Windows® XP or 2000)	\$165.00	\$107.25
ACC-2600	PC Programming Interface Cable	\$214.50	\$139.43
91-1300	USB to 9-Pin Serial Adapter	\$55.00	\$35.75
91-1309	PC Programming Interface Cable Kit (Includes ACC-2600 with 91-1300)	\$220.00	\$143.00
ACC-2305	P25 Series Portable/Mobile Cloning Adaptor	\$137.50	\$39.38
97-2510	Factory Programming (Each)	\$151.25	\$98.31

STM Series 50W Mobile P25 Accessories

MODEL	DESCRIPTION	LIST	CONTRACT
ACC-4425	STM Series P25 Mobile Standard Replacement Microphone	\$133.10	\$86.52
70-2358	15 Watt External Speaker for STM Series P25 Mobiles	\$55.00	\$35.75
90-2578	STM series P25 Mobile Remote Trunk Mount Kit with Control Head Rear Cover, Control Cable, Mounting Bracket, and DC Power Cable with Speaker Lead (Under dash mount)	\$356.95	\$232.02
LP-18	Power Supply, 110 / 220V AC, 18 Amp, 50% Duty	\$325.60	\$211.64
560-090-0091	Under Dash Mounting Bracket Kit for 50 Watt STM Series P25 Mobile	\$39.60	\$25.74
90-0042	50W STM Series P25 6 Meter (20') Mobile Under Dash High Power DC Cable w/ Speaker Lead	\$104.50	\$67.93
90-0075	50W STM Series P25 Mobile Remote Trunk Mount Control Cable	\$357.50	\$232.38
90-2502	P25 Mobile Under Dash Control Head	\$302.50	\$196.63

STM SERIES P25 MOBILE Accessories



STM Series 50W Mobile P25 Accessories - Continued

MODEL	DESCRIPTION	LIST	CONTRACT
ACC-2205	Test / Alignment Interface Box for P25 Series Portables / Mobile Radios	\$632.50	\$411.13
MRA25	Alignment Service Software for Midland P25 Series Mobile and Portable Radios (Requires ACC-2205 and alignment test cables)	\$302.50	\$196.63
950-020-0007	Test / Alignment Cable, STM Mobile for use with ACC-2205	\$192.50	\$125.13
950-020-0009	Test / Alignment Cable, TNC-N Coax Cable, STM Series Mobile	\$110.00	\$71.50
680-100-2021	50W STM Series P25 Mobile Radio Service Manual	\$137.50	\$89.38
90-2271	Ignition Sense Kit, for STM Series P25 Mobiles	\$66.00	\$42.90
560-090-0091	Under Dash Mounting Bracket Kit for 110W Mobile Control Head	\$39.60	\$25.74
90-0045	110W STM Series P25 6 Meter (20') Mobile High Power DC Cable w/ Speaker Lead	\$104.50	\$67.93
90-0076	110W P25 Mobile Trunk Mount Control Head Cable with Control Head Rear Cover	\$357.50	\$232.38
680-100-20xx	110W STM Series P25 Mobile Radio Service Manual	\$137.50	\$89.38
90-2291	110W STM Series P25 Trunk Mount Bracket	\$110.00	\$71.50

SDT SERIES P25 Desktop Base Station

FEATURES

Fully Programmable P25 Compliant

Digital, Analog and Multi-Mode Capability

255 Zones / 999 Channels with Tactical Grouping, Priority Scan

Dual Mode Operation - Digital / Analog Same Channel

User Selectable CTCSS / DCS / NAC Per Channel

2.5 / 3.125kHz Frequency Stepping

Zone Selectable Cloning and / or Programming

Optional DES / AES Encryption

True DTMF Output in Digital Mode (For Remote Functions)

Programmable Soft Keys



SDT1090 P-25 Desktop Station 100W Intermittent Duty 45W Continuous Duty

MODEL	DESCRIPTION	LIST	CONTRACT
SDT-1090	VHF 136 - 174 MHz P-25 Desktop Base Station, Includes Radio, Desktop Cabinet, Palm Microphone, and Power Supply	\$5,751.90	\$3,738.74

P25 Software Control Options

MODEL	DESCRIPTION	LIST	CONTRACT
96-2501	DES / DES-OFB / AES Encryption	\$825.00	\$536.25
96-2516	Command Tactical Zone Option	\$550.00	\$357.50
MKM25	Encryption Key Loader Software	\$550.00	\$357.50

P25 Digital Programming & Accessories

MODEL	DESCRIPTION	LIST	CONTRACT
71-2020E	16 Channel Tone Remote Control Termination	\$544.50	\$353.93
MRP25	PC Programming Software (Windows® XP or 2000)	\$165.00	\$107.25
ACC-2600	PC Programming Interface Cable	\$214.50	\$139.43
91-1300	USB to 9-Pin Serial Adapter	\$55.00	\$35.75
91-1309	PC Programming Interface Cable Kit (Includes ACC-2600 with 91-1300)	\$220.00	\$143.00
ACC-2305	P25 Series Portable/Mobile Cloning Adaptor	\$137.50	\$89.38
97-2510	Factory Programming (Each)	\$137.50	\$89.38
ACC-2205	Test / Alignment Interface Box for P25 Series Portables / Mobile Radios	\$632.50	\$411.13
MRA25	Alignment Service Software for Midland P25 Series Mobile and Portable Radios (Requires ACC-2205 and alignment test cables)	\$302.50	\$196.63
950-020-0007	Test / Alignment Cable, STM Mobile for use with ACC-2205	\$192.50	\$125.13
950-020-0009	Test / Alignment Cable, TNC-N Coax Cable, STM Series Mobile	\$110.00	\$71.50
680-100-20xx	110W STM Series P25 Mobile Radio Service Manual	\$137.50	\$89.38
90-2291	110W STM Series P25 Trunk Mount Bracket	\$110.00	\$71.50
ACC-704SDT	Desktop Microphone	\$138.60	\$90.09



Base Tech II & III Configuration Information

The Base Tech II & III numbering system is very simple to understand.

All Analog BTII model numbers begin with (71) and all Digital P-25 BTIII model numbers begin with (91). The model numbers for the Transceivers end in a letter (A, B, C) ect. This indicates the Frequency Band of the Transceiver. As an example a BTIII P25 110W Transceiver with a Frequency Range of 150 - 174 MHz the Model number is 91-1110B.

All transceivers; Analog or P25 are configured for repeater operation as the standard configuration. The Model numbers for all fully assembled repeater configurations have an R after the Model Number indicating (Repeater), then an A, B, C that indicate the Frequency Band of the Repeater. As an example if you are ordering a fully assembled VHF 150 - 174 MHz 110W P-25 repeater the model would be 91-1110RB. As another example if you are ordering a fully assembled UHF 50W P-25 400-435 MHz repeater the mode would be 91-4050RA. In both cases the R indicates Repeater and the B and A indicate the Frequency Band of the respective Repeater.

The configuration to make all transceivers into Base Stations; Analog or P25 requires the addition of the internal TX/RX relay (71-7751) to the standard configuration at the time of order. The Model numbers for all fully assembled Base Station configurations have an B after the Model Number indicating (Base Station), then an A, B, C that indicate the Frequency Band of the Base Station. As an example if you are ordering a fully assembled VHF 150 - 174 MHz 110W P-25 Base Station the model would be 91-1110BB. As another example if you are ordering a fully assembled UHF 50W P-25 400-435 MHz Base Station the mode would be 91-4050BA.

Note: All fully assemble stations include, compact cabinet, power supply, Blank Panels, Cabling, and is fully tested and tuned. See specific price sheet for additional information.

The Quick Guide:

For Transceivers Only:

Step 1	Frequency	Low Band, VHF, UHF
Step 2	Power Output	50 / 100W
Step 3	Repeater	Select Transceiver Model
Step 4	Base Station	Select Transceiver Model and add 71-7751 Antenna Relay

For Fully Assembled Stations:

Step 1	Frequency	Low Band, VHF, UHF
Step 2	Power Output	50 / 100W
Step 3	Repeater	Model Number ends with R (A, B, C) ect, R = Repeater, A, B, C = Frequency
Step 4	Base Station	Model Number ends with B (A, B, C) ect, B = Base Station, A, B, C = Frequency

BASE TECH III - P25 BASE / REPEATER STATION

**VHF 110W & 60W, UHF 100W & 50W Continuous Duty
Base / Repeater Transceivers**



Base Tech III P25 Transceivers Includes, 71-2315 Microphone, and 71-0033

MODEL	DESCRIPTION	LIST	CONTRACT
91-1060A	VHF 136-156 MHz (A Band), 25 - 60 Watt Transceiver	\$9,845.00	\$6,399.25
91-1060B	VHF 150-174 MHz (B Band), 25 - 60 Watt Transceiver	\$9,845.00	\$6,399.25
91-1110A	VHF 136-156 MHz (A Band), 50 - 110 Watt Transceiver	\$10,945.00	\$7,114.25
91-1110B	VHF 150-174 MHz (B Band), 50 - 110 Watt Transceiver	\$10,945.00	\$7,114.25
91-4050A	UHF 400-435 MHz (A Band), 25 - 50 Watt Transceiver	\$9,845.00	\$6,399.25
91-4050B	UHF 440-475 MHz (B Band), 25 - 50 Watt Transceiver	\$9,845.00	\$6,399.25
91-4050C	UHF 465-500 MHz (C Band), 25 - 50 Watt Transceiver	\$9,845.00	\$6,399.25
91-4100A	UHF 400-435 MHz (A Band), 50 - 100 Watt Transceiver	\$10,945.00	\$7,114.25
91-4100B	UHF 440-475 MHz (B Band), 50 - 100 Watt Transceiver	\$10,945.00	\$7,114.25
91-4100C	UHF 465-500 MHz (C Band), 50 - 100 Watt Transceiver	\$10,945.00	\$7,114.25

91-7100B	700 MHz Base Station Transceiver 25 - 100 W TX: 792-806 MHz, RX: 762-776 MHz	\$13,200.00	\$8,580.00
91-7100R	700 MHz Repeater Transceiver 25 - 100 W TX: 762-776MHz, RX: 792-806 MHz	\$13,200.00	\$8,580.00
91-8100B	800 MHz Base Station Transceiver 25 - 100 W TX: 806-825 MHz, RX: 851-870 MHz	\$13,200.00	\$8,580.00
91-8100R	800 MHz Repeater Transceiver 25 - 100 W TX: 851-870 MHz, RX: 806-825 MHz	\$13,200.00	\$8,580.00

BASE TECH III - P25 VHF BASE STATION

**Midland Base Tech III P25 VHF Base Station
50 - 110 Watt TX Power**

FEATURES

VHF 136 - 174 MHz 91-1110B (A / B)

VHF 136 - 156 MHz (A Band)

VHF 146 - 174 MHz (B Band)

500 Channel Capacity

Programmable 12.5 / 25 KHz by Channel

Fully Assembled; Factory Tested and Tuned

Programmable by Channel for Direct or Repeat Operation

Built in C.O.R. (Carrier Operated Relay) and TOT (Time-Out-Timer)

Microphone Included

2.5 kHz Channel Stepping

50 - 110 Watt TX

Programmable CTCSS / DCS



PRICING LISTED IS FOR CONFIGURED BASE / REPEATER AS LISTED. ANY RECONFIGURATION WILL BE BASED ON INDIVIDUAL COMPONENT PRICING.

MODEL	DESCRIPTION	LIST	CONTRACT
91-1110B (A / B)	Transmitter receiver Base / Control Station VHF High Band, Conventional Operation, Analog and Digital Project 25	\$14,346.20	\$9,325.03
91-1110 (A / B)	Base Tech III P25 VHF Transceiver 50 - 110 Watts TX Power		INCLUDED
71-0033	Power Cord, DC, 4 Foot		INCLUDED
71-7125B	120V - 12V / 30 Amp Power Supply, Rack Mount with LCD Meter		INCLUDED
71-7751	Internal TX / RX Antenna Relay Kit		INCLUDED
71-8082	Radio Support Slides (set) Cabinets Only		INCLUDED
71-8820D	Cabinet, 31.5" with Front and Rear Locking Doors		INCLUDED
71-8822-2	Grounding Kit for 71-8820A / D and 71-8830A Cabinets		INCLUDED
71-8834	Base Tech Hardware Kit for 71-8820A / D and 71-8830A Cabinets		INCLUDED
71-8862	1 U (1.75" / 44.45mm) Blank Panel		INCLUDED
71-8863	2 U (3.5" / 88.9mm) Blank Panel		INCLUDED
71-8871	7 U (12.5" / 311.2mm) Blank Panel		INCLUDED
97-2905	Factory Labor Code to Assemble, Program and Test		INCLUDED

BASE TECH III - P25 VHF BASE STATION

**Midland Base Tech III P25 VHF Base Station
60 Watt TX Power**

25 -



FEATURES

VHF 136 - 174 MHz 91-1060B (A / B)

VHF 136 - 156 MHz (A Band)

VHF 146 - 174 MHz (B Band)

500 Channel Capacity

Programmable 12.5 / 25 KHz by Channel

Fully Assembled; Factory Tested and Tuned

Programmable by Channel for Direct or Repeat Operation

Built in C.O.R. (Carrier Operated Relay) and TOT (Time-Out-Timer)

Microphone Included

2.5 kHz Channel Stepping

25 - 60 Watt TX

Programmable CTCSS / DCS



PRICING LISTED IS FOR CONFIGURED BASE / REPEATER AS LISTED. ANY RECONFIGURATION WILL BE BASED ON INDIVIDUAL COMPONENT PRICING.

MODEL	DESCRIPTION	LIST	CONTRACT
91-1060B (A / B)	Transmitter receiver Base / Control Station VHF High Band, Conventional Operation, Analog and Digital Project 25	\$13,246.20	\$8,610.03
91-1060 (A / B)	Base Tech III P25 VHF Transceiver 25 - 60 Watts TX Power		INCLUDED
71-0033	Power Cord, DC, 4 Foot		INCLUDED
71-7125B	120V - 12V / 30 Amp Power Supply, Rack Mount with LCD Meter		INCLUDED
71-7751	Internal TX / RX Antenna Relay Kit		INCLUDED
71-8082	Radio Support Slides (set) Cabinets Only		INCLUDED
71-8820D	Cabinet, 31.5" with Front and Rear Locking Doors		INCLUDED
71-8822-2	Grounding Kit for 71-8820A / D and 71-8830A Cabinets		INCLUDED
71-8834	Base Tech Hardware Kit for 71-8820A / D and 71-8830A Cabinets		INCLUDED
71-8862	1 U (1.75" / 44.45mm) Blank Panel		INCLUDED
71-8863	2 U (3.5" / 88.9mm) Blank Panel		INCLUDED
71-8871	7 U (12.5" / 311.2mm) Blank Panel		INCLUDED
97-2905	Factory Labor Code to Assemble, Program and Test		INCLUDED

BASE TECH III - P25 VHF BASE STATION

**Midland Base Tech III P25 VHF Repeater Station
50 - 110 Watt TX Power**

FEATURES

VHF 136 - 174 MHz 91-1110R (A / B)

VHF 136 - 156 MHz (A Band)

VHF 146 - 174 MHz (B Band)

500 Channel Capacity

Programmable 12.5 / 25 KHz by Channel

Fully Assembled; Factory Tested and Tuned

Programmable by Channel for Direct or Repeat Operation

Built in C.O.R. (Carrier Operated Relay) and TOT (Time-Out-Timer)

Microphone Included

2.5 kHz Channel Stepping

50 - 110 Watt TX

Programmable CTCSS / DCS



PRICING LISTED IS FOR CONFIGURED BASE / REPEATER AS LISTED. ANY RECONFIGURATION WILL BE BASED ON INDIVIDUAL COMPONENT PRICING.

MODEL	DESCRIPTION	LIST	CONTRACT
91-1110R (A / B)	Transmitter receiver Base / Control Station VHF High Band, Conventional Operation, Analog and Digital Project 25	\$13,983.20	\$9,089.08
91-1110 (A / B)	Base Tech III P25 VHF Transceiver 50 - 110 Watts TX Power		INCLUDED
71-0033	Power Cord, DC, 4 Foot		INCLUDED
71-7125B	120V - 12V / 30 Amp Power Supply, Rack Mount with LCD Meter		INCLUDED
71-8082	Radio Support Slides (set) Cabinets Only		INCLUDED
71-8820D	Cabinet, 31.5" with Front and Rear Locking Doors		INCLUDED
71-8822-2	Grounding Kit for 71-8820A / D and 71-8830A Cabinets		INCLUDED
71-8834	Base Tech Hardware Kit for 71-8820A / D and 71-8830A Cabinets		INCLUDED
71-8862	1 U (1.75" / 44.45mm) Blank Panel		INCLUDED
71-8863	2 U (3.5" / 88.9mm) Blank Panel		INCLUDED
71-8871	7 U (12.5" / 311.2mm) Blank Panel		INCLUDED
97-2905	Factory Labor Code to Assemble, Program and Test		INCLUDED

BASE TECH III - P25 VHF BASE STATION

**Midland Base Tech III P25 VHF Repeater Station
25 - 60 Watt TX Power**

FEATURES

VHF 136 - 174 MHz 91-1060R (A / B)

VHF 136 - 156 MHz (A Band)

VHF 146 - 174 MHz (B Band)

500 Channel Capacity

Programmable 12.5 / 25 KHz by Channel

Fully Assembled; Factory Tested and Tuned

Programmable by Channel for Direct or Repeat Operation

Built in C.O.R. (Carrier Operated Relay) and TOT (Time-Out-Timer)

Microphone Included

2.5 kHz Channel Stepping

50 - 110 Watt TX

Programmable CTCSS / DCS



PRICING LISTED IS FOR CONFIGURED BASE / REPEATER AS LISTED. ANY RECONFIGURATION WILL BE BASED ON INDIVIDUAL COMPONENT PRICING.

MODEL	DESCRIPTION	LIST	CONTRACT
91-1060R (A / B)	Transmitter receiver Base / Control Station VHF High Band, Conventional Operation, Analog and Digital Project 25	\$12,883.20	\$8,374.08
91-1060 (A / B)	Base Tech III P25 VHF Transceiver 25 - 60 Watts TX Power		INCLUDED
71-0033	Power Cord, DC, 4 Foot		INCLUDED
71-7125B	120V - 12V / 30 Amp Power Supply, Rack Mount with LCD Meter		INCLUDED
71-8082	Radio Support Slides (set) Cabinets Only		INCLUDED
71-8820D	Cabinet, 31.5" with Front and Rear Locking Doors		INCLUDED
71-8822-2	Grounding Kit for 71-8820A / D and 71-8830A Cabinets		INCLUDED
71-8834	Base Tech Hardware Kit for 71-8820A / D and 71-8830A Cabinets		INCLUDED
71-8862	1 U (1.75" / 44.45mm) Blank Panel		INCLUDED
71-8863	2 U (3.5" / 88.9mm) Blank Panel		INCLUDED
71-8871	7 U (12.5" / 311.2mm) Blank Panel		INCLUDED
97-2905	Factory Labor Code to Assemble, Program and Test		INCLUDED

BASE TECH III - P25 UHF BASE STATION

Midland Base Tech III P25 UHF Base Station 50-100 Watt TX Power

FEATURES

UHF 400 - 520 MHz 91-4100B (A / B / C / D)

UHF 400 - 435 MHz (A Band) UHF 440 - 475 MHz (B Band)

UHF 465 - 500 MHz (C Band) UHF 485 - 520 MHz (D Band)

500 Channel Capacity

Programmable 12.5 / 25 KHz by Channel

Fully Assembled; Factory Tested and Tuned

Programmable by Channel for Direct or Repeat Operation

Built in C.O.R. (Carrier Operated Relay) and TOT (Time-Out-Time)

Microphone Included

2.5 kHz Channel Stepping

50 - 110 Watt TX

Programmable CTCSS / DCS



PRICING LISTED IS FOR CONFIGURED BASE / REPEATER AS LISTED. ANY RECONFIGURATION WILL BE BASED ON INDIVIDUAL COMPONENT PRICING.

MODEL	DESCRIPTION	LIST	CONTRACT
91-4100B (A / B / C / D)	Transmitter receiver Base / Control Station VHF High Band, Conventional Operation, Analog and Digital Project 25	\$14,346.20	\$9,325.03
91-4100 (A / B / C / D)	Base Tech III P25 UHF Transceiver 50 - 100 Watts TX Power		INCLUDED
71-0033	Power Cord, DC, 4 Foot		INCLUDED
71-7125B	120V - 12V / 30 Amp Power Supply, Rack Mount with LCD Meter		INCLUDED
71-7751	Internal TX / RX Antenna Relay Kit		INCLUDED
71-8082	Radio Support Slides (set) Cabinets Only		INCLUDED
71-8820D	Cabinet, 31.5" with Front and Rear Locking Doors		INCLUDED
71-8822-2	Grounding Kit for 71-8820A / D and 71-8830A Cabinets		INCLUDED
71-8834	Base Tech Hardware Kit for 71-8820A / D and 71-8830A Cabinets		INCLUDED
71-8862	1 U (1.75" / 44.45mm) Blank Panel		INCLUDED
71-8863	2 U (3.5" / 88.9mm) Blank Panel		INCLUDED
71-8871	7 U (12.5" / 311.2mm) Blank Panel		INCLUDED
97-2905	Factory Labor Code to Assemble, Program and Test		INCLUDED

BASE TECH III - P25 UHF BASE STATION

Midland Base Tech III P25 UHF Base Station 25 - 50 Watt TX Power

FEATURES

- UHF 400 - 520 MHz 91-4050B (A / B / C / D)**
- UHF 400 - 435 MHz (A Band) UHF 440 - 475 MHz (B Band)
- UHF 465 - 500 MHz (C Band) UHF 485 - 520 MHz (D Band)
- 500 Channel Capacity**
- Programmable 12.5 / 25 KHz by Channel**
- Fully Assembled; Factory Tested and Tuned**
- Programmable by Channel for Direct or Repeat Operation**
- Built in C.O.R. (Carrier Operated Relay) and TOT (Time-Out-Timer)**
- Microphone Included**
- 2.5 kHz Channel Stepping**
- 25 - 50 Watt TX**
- Programmable CTCSS / DCS**



PRICING LISTED IS FOR CONFIGURED BASE / REPEATER AS LISTED. ANY RECONFIGURATION WILL BE BASED ON INDIVIDUAL COMPONENT PRICING.

MODEL	DESCRIPTION	LIST	CONTRACT
91-4050B (A / B / C / D)	Transmitter receiver Base / Control Station VHF High Band, Conventional Operation, Analog and Digital Project 25	\$13,246.20	\$8,610.03
91-4050 (A / B / C / D)	Base Tech III P25 UHF Transceiver 25 - 100Watts TX Power		INCLUDED
71-0033	Power Cord, DC, 4 Foot		INCLUDED
71-7125B	120V - 12V / 30 Amp Power Supply, Rack Mount with LCD Meter		INCLUDED
71-7751	Internal TX / RX Antenna Relay Kit		INCLUDED
71-8082	Radio Support Slides (set) Cabinets Only		INCLUDED
71-8820D	Cabinet, 31.5" with Front and Rear Locking Doors		INCLUDED
71-8822-2	Grounding Kit for 71-8820A / D and 71-8830A Cabinets		INCLUDED
71-8834	Base Tech Hardware Kit for 71-8820A / D and 71-8830A Cabinets		INCLUDED
71-8862	1 U (1.75" / 44.45mm) Blank Panel		INCLUDED
71-8863	2 U (3.5" / 88.9mm) Blank Panel		INCLUDED
71-8871	7 U (12.5" / 311.2mm) Blank Panel		INCLUDED
97-2905	Factory Labor Code to Assemble, Program and Test		INCLUDED

BASE TECH III - P25 UHF REPEATER STATION

Midland Base Tech III P25 UHF Repeater Station 50 - 100 Watt TX Power

FEATURES

- UHF 400 - 520 MHz 91-4100R (A / B / C / D)**
- UHF 400 - 435 MHz (A Band) UHF 440 - 475 MHz (B Band)
- UHF 465 - 500 MHz (C Band) UHF 485 - 520 MHz (D Band)
- 500 Channel Capacity**
- Programmable 12.5 / 25 KHz by Channel**
- Fully Assembled; Factory Tested and Tuned**
- Programmable by Channel for Direct or Repeat Operation
- Built in C.O.R. (Carrier Operated Relay) and TOT (Time-Out-Timer)**
- Microphone Included**
- 2.5 kHz Channel Stepping**
- 50 - 110 Watt TX**
- Programmable CTCSS / DCS**



PRICING LISTED IS FOR CONFIGURED BASE / REPEATER AS LISTED. ANY RECONFIGURATION WILL BE BASED ON INDIVIDUAL COMPONENT PRICING.

MODEL	DESCRIPTION	LIST	CONTRACT
91-4100R (A / B / C / D)	Transmitter receiver Base / Control Station VHF High Band, Conventional Operation, Analog and Digital Project 25	\$13,983.20	\$9,089.08
91-4100 (A / B / C / D)	Base Tech III P25 UHF Transceiver 50 - 100 Watts TX Power		INCLUDED
71-0033	Power Cord, DC, 4 Foot		INCLUDED
71-7125B	120V - 12V / 30 Amp Power Supply, Rack Mount with LCD Meter		INCLUDED
71-8082	Radio Support Slides (set) Cabinets Only		INCLUDED
71-8820D	Cabinet, 31.5" with Front and Rear Locking Doors		INCLUDED
71-8822-2	Grounding Kit for 71-8820A / D and 71-8830A Cabinets		INCLUDED
71-8834	Base Tech Hardware Kit for 71-8820A / D and 71-8830A Cabinets		INCLUDED
71-8862	1 U (1.75" / 44.45mm) Blank Panel		INCLUDED
71-8863	2 U (3.5" / 88.9mm) Blank Panel		INCLUDED
71-8871	7 U (12.5" / 311.2mm) Blank Panel		INCLUDED
97-2905	Factory Labor Code to Assemble, Program and Test		INCLUDED

BASE TECH III - P25 UHF REPEATER STATION

**Midland Base Tech III P25 UHF Repeater Station
25 - 50 Watt TX Power**

FEATURES

- UHF 400 - 520 MHz 91-4050R (A / B / C / D)**
- UHF 400 - 435 MHz (A Band) UHF 440 - 475 MHz (B Band)
- UHF 465 - 500 MHz (C Band) UHF 485 - 520 MHz (D Band)
- 500 Channel Capacity**
- Programmable 12.5 / 25 KHz by Channel**
- Fully Assembled; Factory Tested and Tuned**
- Programmable by Channel for Direct or Repeat Operation
- Built in C.O.R. (Carrier Operated Relay) and TOT (Time-Out-Timer)**
- Microphone Included**
- 2.5 kHz Channel Stepping**
- 25 - 50 Watt TX**
- Programmable CTCSS / DCS**



PRICING LISTED IS FOR CONFIGURED BASE / REPEATER AS LISTED. ANY RECONFIGURATION WILL BE BASED ON INDIVIDUAL COMPONENT PRICING.

MODEL	DESCRIPTION	LIST	CONTRACT
91-4050R (A / B / C / D)	Transmitter receiver Base / Control Station VHF High Band, Conventional Operation, Analog and Digital Project 25	\$12,883.20	\$8,374.08
91-4050 (A / B / C / D)	Base Tech III P25 UHF Transceiver 25 - 50 Watts TX Power		INCLUDED
71-0033	Power Cord, DC, 4 Foot		INCLUDED
71-7125B	120V - 12V / 30 Amp Power Supply, Rack Mount with LCD Meter		INCLUDED
71-8082	Radio Support Slides (set) Cabinets Only		INCLUDED
71-8820D	Cabinet, 31.5" with Front and Rear Locking Doors		INCLUDED
71-8822-2	Grounding Kit for 71-8820A / D and 71-8830A Cabinets		INCLUDED
71-8834	Base Tech Hardware Kit for 71-8820A / D and 71-8830A Cabinets		INCLUDED
71-8862	1 U (1.75" / 44.45mm) Blank Panel		INCLUDED
71-8863	2 U (3.5" / 88.9mm) Blank Panel		INCLUDED
71-8871	7 U (12.5" / 311.2mm) Blank Panel		INCLUDED
97-2905	Factory Labor Code to Assemble, Program and Test		INCLUDED

BASE TECH - P25 AND ANALOG STATION ACCESSORIES



Call for Specialty Applications & Options

Base/Control Station or Repeater Station Configuration Numbering System

MODEL	DESCRIPTION	LIST	CONTRACT
71-7751	Antenna Relay (for Base/Control Operation)	\$363.00	\$235.95
B	Base/Control Station Operation	NC	NC
R	Repeater Operation	NC	NC
Example: model 91-1110BB (150-174 MHz) 91 = P25 - 1110B = 110 W Base Station - B = Band 150-174MHz			

Optional Power Supply

MODEL	DESCRIPTION	LIST	CONTRACT
71-7220B	220/120V - 12V / 30 Amp Switchable Power Supply, rack mount w/ LCD meter	\$550.00	\$357.50
71-1230BM	Battery backup module for use with 71-7220B Power Supply	\$275.00	\$178.75

Optional Remote Control

MODEL	DESCRIPTION	LIST	CONTRACT
71-2020E	16 CH TONE REMOTE INTERNAL MT with E & M (NEW)	\$544.50	\$353.93
71-2022E	E & M / Microwave Interface Kit for use with 71-2020E in 71-8885 Options Housing	\$561.00	\$364.65

Optional Rack Mount or Cabinet Mount

MODEL	DESCRIPTION (CABINETS)	LIST	CONTRACT
71-8820D	Cabinets: Cabinet, 31" with Extra Deep Front and Rear Locking Doors	\$990.00	\$643.50
71-8830D	Cabinets: Cabinet, 41" with Front and Rear Locking Doors	\$1,083.50	\$704.28
71-8862	Cabinets: 1 U (1.75" / 44.45mm) Blank Panel	\$99.00	\$64.35
71-8863	Cabinets: 2 U (3.5" / 88.9mm) Blank Panel	\$66.00	\$42.90

BASE TECH - P25 AND ANALOG STATION ACCESSORIES

Optional Rack Mount or Cabinet Mount - Continued

MODEL	DESCRIPTION (CABINETS)	LIST	CONTRACT
71-8870	Cabinets: 6 U (10.7" / 266.7mm) Blank Panel	\$88.00	\$57.20
71-8871	Cabinets: 7 U (12.5" / 311.15mm) Blank Panel	\$176.00	\$114.40
71-8879	Cabinets: Base Tech Transceiver Support Shelf Kit for Relay Racks	\$242.00	\$157.30
71-8834	Cabinets: Base Tech II Hardware Kit for 71-8820 A / D and 71-8830A	\$66.00	\$42.90
71-8822-2	Cabinets: Grounding Kit for 71-8820 A / D and 71-8830A	\$46.20	\$30.03
Racks			
71-8880	Racks: 90" Aluminum Relay Rack	\$1,100.00	\$715.00
71-8845-2	Racks: Grounding Kit for 71-8880 Racks	\$154.00	\$100.10

Option Housing Configuration

MODEL	DESCRIPTION	LIST	CONTRACT
71-8885	Option Housing Service Shelf	\$766.70	\$498.36
71-7140	Power Supply 15 volt 40 Amp / to be used with 71-8885	\$489.50	\$318.18
71-0035	Base Tech DC Power Cable 12 inch for 71-8885 Option Housing	\$77.00	\$50.05
71-0040	AC Power Cord Kit for 71-8885 Option Housing	\$132.00	\$85.80
71-2022C	E & M Microwave Interface	\$561.00	\$364.65
71-7300	Charger Low Voltage Disconnect Assembly for 71-8885	\$801.90	\$521.24

BASE TECH - P25 AND ANALOG STATION ACCESSORIES

Accessories - Continued

Optional Accessories

MODEL	DESCRIPTION	LIST	CONTRACT
70-2316	Desktop Microphone	\$330.00	\$214.50
71-2910	External 10MHz TX Reference Kit	\$368.50	\$239.53
71-7801	External TX/RX Antenna Relay Kit, includes DC and RF Cables	\$1,003.20	\$652.08
71-7751	Internal TX/RX Antenna Relay Kit	\$363.00	\$235.95
71-2315	Replacement Palm Microphone	\$253.00	\$164.45
Lightning/Surge Protection			
71-7207	AC Line Surge Protection	\$572.00	\$371.80
71-7655A	RF Line Surge Protection	\$231.00	\$150.15
71-7206	Tone Line Surge Protection	\$396.00	\$257.40
Duplexers			
71-8155-2	Duplexer, VHF, 3 - 5MHz Separation (160-174MHz)	\$3,190.00	\$2,073.50
71-8152-3	Duplexer, VHF, 0.5 - 3MHz Separation (150-160MHz)	\$3,190.00	\$2,073.50
71-8152-4	Duplexer, VHF, 0.5 - 3MHz Separation (160-174MHz)	\$3,190.00	\$2,073.50
71-8155-1	Duplexer, VHF, 3 - 5MHz Separation (150-160MHz)	\$3,190.00	\$2,073.50
71-8455D	Duplexer, UHF, 5MHz Separation (400-430MHz)	\$2,288.00	\$1,487.20
71-8455A	Duplexer, UHF, 5MHz Separation (450-470MHz)	\$2,288.00	\$1,487.20
Manuals and Service Information			
71-1320	Programming Kit for 71-2020E Tone Termination Panel. Includes Software and Cable	\$148.50	\$96.53
71-1480	PC Programming kit, includes software & inter-face cable, for Base Tech II	\$356.40	\$231.66
91-1480	PC Programming kit, includes software & inter-face cable, for Base Tech III	\$356.40	\$231.66



BASE TECH - P25 AND ANALOG STATION ACCESSORIES

Accessories - Continued

MODEL	DESCRIPTION	LIST	CONTRACT
Manuals and Service Information			
71-1480CD	Base Tech II Programming CD	\$165.00	\$107.25
91-1480CD	P25 Base Tech III Programming CD	\$165.00	\$107.25
71-015000	Service Manual, 71-0150 and 71-0110	\$66.00	\$42.90
71-135000	Service Manual, 71-3050 and 71-3110	\$66.00	\$42.90
71-405000	Service Manual 71-4050 and 71-4110	\$66.00	\$42.90
680-100-2022	Service Manual 91-1110B	\$33.00	\$21.45
71-1303	Analog Base Tech II Programming Interface Cable	\$198.00	\$128.70
91-1303B	Base Tech III Programming Interface Kit	\$418.00	\$271.70
97-2905	Factory Assemble Test and Tune	\$609.40	\$396.11

Call for Specialty Applications & Options

BASE TECH II ANALOG BASE / REPEATER STATION



Base Tech II Conventional Analog Only Transceivers
Includes: 71-2315 Microphone, and 71-0033 Power Cord

MODEL	DESCRIPTION	LIST	CONTRACT
71-0150A	Low Band 30-40 MHz (A Band), 25 - 50 Watt Transceiver	\$5,995.00	\$3,896.75
71-0150B	Low Band 35-45 MHz (B Band), 25 - 50 Watt Transceiver	\$5,995.00	\$3,896.75
71-0150C	Low Band 40-50 MHz (C Band), 25 - 50 Watt Transceiver	\$5,995.00	\$3,896.75
71-0110B	Low Band 35-45 MHz (B Band), 50 - 100 Watt Transceiver	\$5,995.00	\$3,896.75
71-0110C	Low Band 40-50 MHz (C Band), 50 - 100 Watt Transceiver	\$5,995.00	\$3,896.75
71-3050A	VHF 136-156 MHz (A Band), 25 - 60 Watt Transceiver	\$5,995.00	\$3,896.75
71-3050B	VHF 150-174 MHz (B Band), 25 - 60 Watt Transceiver	\$5,995.00	\$3,896.75
71-3110A	VHF 136-156 MHz (A Band), 50 - 110 Watt Transceiver	\$6,545.00	\$4,254.25
71-3110B	VHF 150-174 MHz (B Band), 50 - 110 Watt Transceiver	\$6,545.00	\$4,254.25
71-4050A	UHF 400-435 MHz (A Band), 25 - 50 Watt Transceiver	\$5,995.00	\$3,896.75
71-4050B	UHF 440-475 MHz (B Band), 25 - 50 Watt Transceiver	\$5,995.00	\$3,896.75
71-4050C	UHF 465-500 MHz (C Band), 25 - 50 Watt Transceiver	\$5,995.00	\$3,896.75
71-4110A	UHF 400-435 MHz (A Band), 50 - 100 Watt Transceiver	\$6,545.00	\$4,254.25
71-4110B	UHF 440-475 MHz (B Band), 50 - 100 Watt Transceiver	\$6,545.00	\$4,254.25
71-4110C	UHF 465-500 MHz (C Band), 50 - 100 Watt Transceiver	\$6,545.00	\$4,254.25

BASE TECH II - ANALOG LOW BAND BASE STATION

Midland Base Tech II Low Band Analog Base Station 25 - 50 Watt TX Power

FEATURES

Low Band 35 - 50 MHz 71-0150B (B / C)

Low Band 35 - 45 MHz (B Band)

Low Band 40 - 50 MHz (C Band)

99 Channel Capacity

Programmable 12.5 / 25 KHz by Channel

Fully Assembled; Factory Tested and Tuned

Programmable by Channel for Direct or Repeat Operation

Built in C.O.R. (Carrier Operated Relay) and TOT (Time-Out-Timer)

Microphone Included

2.5 kHz Channel Stepping

25 - 50 Watt TX

Programmable CTCSS / DCS



PRICING LISTED IS FOR CONFIGURED BASE / REPEATER AS LISTED. ANY RECONFIGURATION WILL BE BASED ON INDIVIDUAL COMPONENT PRICING.

MODEL	DESCRIPTION	LIST	CONTRACT
71-0150B (B / C)	Midland Base Tech II Low Band Control Station , Cabinet Mount, Conventional Operation, 25 - 50 Watts TX Power	\$9,396.20	\$6,107.53
71-0150 (B / C)	Base Tech II Transceiver 25 - 50 Watts TX Power		INCLUDED
71-0033	Power Cord, DC, 4 Foot		INCLUDED
71-7125B	120V - 12V / 30 Amp Power Supply, Rack Mount with LCD Meter		INCLUDED
71-7751	Internal TX / RX Antenna Relay Kit		INCLUDED
71-8082	Radio Support Slides (set) Cabinets Only		INCLUDED
71-8820D	Cabinet, 31.5" with Front and Rear Locking Doors		INCLUDED
71-8822-2	Grounding Kit for 71-8820A / D and 71-8830A Cabinets		INCLUDED
71-8834	Base Tech Hardware Kit for 71-8820A / D and 71-8830A Cabinets		INCLUDED
71-8862	1 U (1.75" / 44.45mm) Blank Panel		INCLUDED
71-8863	2 U (3.5" / 88.9mm) Blank Panel		INCLUDED
71-8871	7 U (12.5" / 311.2mm) Blank Panel		INCLUDED
97-2905	Factory Labor Code to Assemble, Program and Test		INCLUDED

BASE TECH II - ANALOG LOW BAND BASE STATION

Midland Base Tech II Low Band Analog Base Station 50 - 100 Watt TX Power

FEATURES

Low Band 35 - 50 MHz 71-0110B (B / C)

Low Band 35 - 45 MHz (B Band)

Low Band 40 - 50 MHz (C Band)

99 Channel Capacity

Programmable 12.5 / 25 KHz by Channel

Fully Assembled; Factory Tested and Tuned

Programmable by Channel for Direct or Repeat Operation

Built in C.O.R. (Carrier Operated Relay) and TOT (Time-Out-Timer)

Microphone Included

2.5 kHz Channel Stepping

50 - 100 Watt TX

Programmable CTCSS / DCS



PRICING LISTED IS FOR CONFIGURED BASE / REPEATER AS LISTED. ANY RECONFIGURATION WILL BE BASED ON INDIVIDUAL COMPONENT PRICING.

MODEL	DESCRIPTION	LIST	CONTRACT
71-0110B (B / C)	Midland Base Tech II Low Band Control Station , Cabinet Mount, Conventional Operation, 25 - 50 Watts TX Power	\$9,396.20	\$6,107.53
71-0110 (B / C)	Base Tech II Transceiver 50 - 100 Watts TX Power		INCLUDED
71-0033	Power Cord, DC, 4 Foot		INCLUDED
71-7125B	120V - 12V / 30 Amp Power Supply, Rack Mount with LCD Meter		INCLUDED
71-7751	Internal TX / RX Antenna Relay Kit		INCLUDED
71-8082	Radio Support Slides (set) Cabinets Only		INCLUDED
71-8820D	Cabinet, 31.5" with Front and Rear Locking Doors		INCLUDED
71-8822-2	Grounding Kit for 71-8820A / D and 71-8830A Cabinets		INCLUDED
71-8834	Base Tech Hardware Kit for 71-8820A / D and 71-8830A Cabinets		INCLUDED
71-8862	1 U (1.75" / 44.45mm) Blank Panel		INCLUDED
71-8863	2 U (3.5" / 88.9mm) Blank Panel		INCLUDED
71-8871	7 U (12.5" / 311.2mm) Blank Panel		INCLUDED
97-2905	Factory Labor Code to Assemble, Program and Test		INCLUDED

Midland Base Tech II Low Band Analog Repeater Station 25 - 50 Watt TX Power

FEATURES

Low Band 35 - 50 MHz 71-0150R (B / C)

Low Band 35 - 45 MHz (B Band)

Low Band 40 - 50 MHz (C Band)

99 Channel Capacity

Programmable 12.5 / 25 KHz by Channel

Fully Assembled; Factory Tested and Tuned

Programmable by Channel for Direct or Repeat Operation

Built in C.O.R. (Carrier Operated Relay) and TOT (Time-Out-Timer)

Microphone Included

2.5 kHz Channel Stepping

25 - 50 Watt TX

Programmable CTCSS / DCS



PRICING LISTED IS FOR CONFIGURED BASE / REPEATER AS LISTED. ANY RECONFIGURATION WILL BE BASED ON INDIVIDUAL COMPONENT PRICING.

MODEL	DESCRIPTION	LIST	CONTRACT
71-0150R (B / C)	Midland Base Tech II Low Band Control Station , Cabinet Mount, Conventional Operation, 25 - 50 Watts TX Power	\$9,396.20	\$6,107.53
71-0150 (B / C)	Base Tech II Transceiver 25 - 50 Watts TX Power		INCLUDED
71-0033	Power Cord, DC, 4 Foot		INCLUDED
71-7125B	120V - 12V / 30 Amp Power Supply, Rack Mount with LCD Meter		INCLUDED
71-8082	Radio Support Slides (set) Cabinets Only		INCLUDED
71-8820D	Cabinet, 31.5" with Front and Rear Locking Doors		INCLUDED
71-8822-2	Grounding Kit for 71-8820A / D and 71-8830A Cabinets		INCLUDED
71-8834	Base Tech Hardware Kit for 71-8820A / D and 71-8830A Cabinets		INCLUDED
71-8862	1 U (1.75" / 44.45mm) Blank Panel		INCLUDED
71-8863	2 U (3.5" / 88.9mm) Blank Panel		INCLUDED
71-8871	7 U (12.5" / 311.2mm) Blank Panel		INCLUDED
97-2905	Factory Labor Code to Assemble, Program and Test		INCLUDED

BASE TECH II - ANALOG LOW BAND BASE STATION

Midland Base Tech II Low Band Analog Repeater Station 50-100 Watt TX Power

FEATURES

Low Band 35 - 50 MHz 71-0110R (B / C)

Low Band 35 - 45 MHz (B Band)

Low Band 40 - 50 MHz (C Band)

99 Channel Capacity

Programmable 12.5 / 25 KHz by Channel

Fully Assembled; Factory Tested and Tuned

Programmable by Channel for Direct or Repeat Operation

Built in C.O.R. (Carrier Operated Relay) and TOT (Time-Out-Timer)

Microphone Included

2.5 kHz Channel Stepping

50 - 100 Watt TX

Programmable CTCSS / DCS



PRICING LISTED IS FOR CONFIGURED BASE / REPEATER AS LISTED. ANY RECONFIGURATION WILL BE BASED ON INDIVIDUAL COMPONENT PRICING.

MODEL	DESCRIPTION	LIST	CONTRACT
71-0110R (B / C)	Midland Base Tech II Low Band Control Station , Cabinet Mount, Conventional Operation, 25 - 50 Watts TX Power	\$9,396.20	\$6,107.53
71-0110 (B / C)	Base Tech II Transceiver 50 - 100 Watts TX Power		INCLUDED
71-0033	Power Cord, DC, 4 Foot		INCLUDED
71-7125B	120V - 12V / 30 Amp Power Supply, Rack Mount with LCD Meter		INCLUDED
71-8082	Radio Support Slides (set) Cabinets Only		INCLUDED
71-8820D	Cabinet, 31.5" with Front and Rear Locking Doors		INCLUDED
71-8822-2	Grounding Kit for 71-8820A / D and 71-8830A Cabinets		INCLUDED
71-8834	Base Tech Hardware Kit for 71-8820A / D and 71-8830A Cabinets		INCLUDED
71-8862	1 U (1.75" / 44.45mm) Blank Panel		INCLUDED
71-8863	2 U (3.5" / 88.9mm) Blank Panel		INCLUDED
71-8871	7 U (12.5" / 311.2mm) Blank Panel		INCLUDED
97-2905	Factory Labor Code to Assemble, Program and Test		INCLUDED

BASE TECH II - ANALOG VHF BAND BASE STATION

Midland Base Tech II VHF Band Analog Base Station 25 - 60 Watt TX Power

FEATURES

VHF 136 - 174 MHz 71-3050B (A / B)

VHF 136 - 156 MHz (A Band)

VHF 150 - 174 MHz (B Band)

99 Channel Capacity

Programmable 12.5 / 25 KHz by Channel

Fully Assembled; Factory Tested and Tuned

Programmable by Channel for Direct or Repeat Operation

Built in C.O.R. (Carrier Operated Relay) and TOT (Time-Out-Timer)

Microphone Included

2.5 kHz Channel Stepping

25 - 60 Watt TX

Programmable CTCSS / DCS



PRICING LISTED IS FOR CONFIGURED BASE / REPEATER AS LISTED. ANY RECONFIGURATION WILL BE BASED ON INDIVIDUAL COMPONENT PRICING.

MODEL	DESCRIPTION	LIST	CONTRACT
71-3050B (B / C)	Midland Base Tech II VHF Band Control Station , Cabinet Mount, Conventional Operation, 25 - 60 Watts TX Power	\$9,396.20	\$6,107.53
71-3050 (B / C)	Base Tech II Transceiver 25 - 60 Watts TX Power		INCLUDED
71-0033	Power Cord, DC, 4 Foot		INCLUDED
71-7125B	120V - 12V / 30 Amp Power Supply, Rack Mount with LCD Meter		INCLUDED
71-7751	Internal TX / RX Antenna Relay Kit		INCLUDED
71-8082	Radio Support Slides (set) Cabinets Only		INCLUDED
71-8820D	Cabinet, 31.5" with Front and Rear Locking Doors		INCLUDED
71-8822-2	Grounding Kit for 71-8820A / D and 71-8830A Cabinets		INCLUDED
71-8834	Base Tech Hardware Kit for 71-8820A / D and 71-8830A Cabinets		INCLUDED
71-8862	1 U (1.75" / 44.45mm) Blank Panel		INCLUDED
71-8863	2 U (3.5" / 88.9mm) Blank Panel		INCLUDED
71-8871	7 U (12.5" / 311.2mm) Blank Panel		INCLUDED
97-2905	Factory Labor Code to Assemble, Program and Test		INCLUDED

BASE TECH II - ANALOG VHF BAND BASE STATION

Midland Base Tech II VHF Band Analog Base Station 50 - 110 Watt TX Power

FEATURES

VHF 136 - 174 MHz 71-3110B (A / B)

VHF 136 - 156 MHz (A Band)

VHF 150 - 174 MHz (B Band)

99 Channel Capacity

Programmable 12.5 / 25 KHz by Channel

Fully Assembled; Factory Tested and Tuned

Programmable by Channel for Direct or Repeat Operation

Built in C.O.R. (Carrier Operated Relay) and TOT (Time-Out-Timer)

Microphone Included

2.5 kHz Channel Stepping

50 - 110 Watt TX

Programmable CTCSS / DCS



PRICING LISTED IS FOR CONFIGURED BASE / REPEATER AS LISTED. ANY RECONFIGURATION WILL BE BASED ON INDIVIDUAL COMPONENT PRICING.

MODEL	DESCRIPTION	LIST	CONTRACT
71-3110B (B / C)	Midland Base Tech II VHF Band Control Station , Cabinet Mount, Conventional Operation, 50 - 110 Watts TX Power	\$9,396.20	\$6,107.53
71-3110 (B / C)	Base Tech II Transceiver 50 - 110 Watts TX Power		INCLUDED
71-0033	Power Cord, DC, 4 Foot		INCLUDED
71-7125B	120V - 12V / 30 Amp Power Supply, Rack Mount with LCD Meter		INCLUDED
71-7751	Internal TX / RX Antenna Relay Kit		INCLUDED
71-8082	Radio Support Slides (set) Cabinets Only		INCLUDED
71-8820D	Cabinet, 31.5" with Front and Rear Locking Doors		INCLUDED
71-8822-2	Grounding Kit for 71-8820A / D and 71-8830A Cabinets		INCLUDED
71-8834	Base Tech Hardware Kit for 71-8820A / D and 71-8830A Cabinets		INCLUDED
71-8862	1 U (1.75" / 44.45mm) Blank Panel		INCLUDED
71-8863	2 U (3.5" / 88.9mm) Blank Panel		INCLUDED
71-8871	7 U (12.5" / 311.2mm) Blank Panel		INCLUDED
97-2905	Factory Labor Code to Assemble, Program and Test		INCLUDED

BASE TECH II - ANALOG VHF REPEATER STATION

Midland Base Tech II VHF Band Analog Repeater Station 25 - 60 Watt TX Pow

FEATURES

VHF 136 - 174 MHz 71-3050R (A / B)

VHF 136 - 156 MHz (A Band)

VHF 150 - 174 MHz (B Band)

99 Channel Capacity

Programmable 12.5 / 25 KHz by Channel

Fully Assembled; Factory Tested and Tuned

Programmable by Channel for Direct or Repeat Operation

Built in C.O.R. (Carrier Operated Relay) and TOT (Time-Out-Timer)

Microphone Included

2.5 kHz Channel Stepping

25 - 60 Watt TX

Programmable CTCSS / DCS



PRICING LISTED IS FOR CONFIGURED BASE / REPEATER AS LISTED. ANY RECONFIGURATION WILL BE BASED ON INDIVIDUAL COMPONENT PRICING.

MODEL	DESCRIPTION	LIST	CONTRACT
71-3050R (B / C)	Midland Base Tech II VHF Band Repeater Station , Cabinet Mount, Conventional Operation, 25 - 60 Watts TX Power	\$9,396.20	\$6,107.53
71-3050 (B / C)	Base Tech II Transceiver 25 - 60 Watts TX Power		INCLUDED
71-0033	Power Cord, DC, 4 Foot		INCLUDED
71-7125B	120V - 12V / 30 Amp Power Supply, Rack Mount with LCD Meter		INCLUDED
71-8082	Radio Support Slides (set) Cabinets Only		INCLUDED
71-8820D	Cabinet, 31.5" with Front and Rear Locking Doors		INCLUDED
71-8822-2	Grounding Kit for 71-8820A / D and 71-8830A Cabinets		INCLUDED
71-8834	Base Tech Hardware Kit for 71-8820A / D and 71-8830A Cabinets		INCLUDED
71-8862	1 U (1.75" / 44.45mm) Blank Panel		INCLUDED
71-8863	2 U (3.5" / 88.9mm) Blank Panel		INCLUDED
71-8871	7 U (12.5" / 311.2mm) Blank Panel		INCLUDED
97-2905	Factory Labor Code to Assemble, Program and Test		INCLUDED

BASE TECH II - ANALOG VHF REPEATER STATION

Midland Base Tech II VHF Analog Repeater Station 50 - 110 Watt TX Power

FEATURES

VHF 136 - 174 MHz 71-3110R (A / B)

VHF 136 - 156 MHz (A Band)

VHF 150 - 174 MHz (B Band)

99 Channel Capacity

Programmable 12.5 / 25 KHz by Channel

Fully Assembled; Factory Tested and Tuned

Programmable by Channel for Direct or Repeat Operation

Built in C.O.R. (Carrier Operated Relay) and TOT (Time-Out-Timer)

Microphone Included

2.5 kHz Channel Stepping

50 - 110 Watt TX

Programmable CTCSS / DCS



PRICING LISTED IS FOR CONFIGURED BASE / REPEATER AS LISTED. ANY RECONFIGURATION WILL BE BASED ON INDIVIDUAL COMPONENT PRICING.

MODEL	DESCRIPTION	LIST	CONTRACT
71-3110R (B / C)	Midland Base Tech II VHF Band Repeater Station, Cabinet Mount, Conventional Operation, 50 - 110 Watts TX Power	\$9,396.20	\$6,107.53
71-3110 (B / C)	Base Tech II Transceiver 50 - 110 Watts TX Power		INCLUDED
71-0033	Power Cord, DC, 4 Foot		INCLUDED
71-7125B	120V - 12V / 30 Amp Power Supply, Rack Mount with LCD Meter		INCLUDED
71-8082	Radio Support Slides (set) Cabinets Only		INCLUDED
71-8820D	Cabinet, 31.5" with Front and Rear Locking Doors		INCLUDED
71-8822-2	Grounding Kit for 71-8820A / D and 71-8830A Cabinets		INCLUDED
71-8834	Base Tech Hardware Kit for 71-8820A / D and 71-8830A Cabinets		INCLUDED
71-8862	1 U (1.75" / 44.45mm) Blank Panel		INCLUDED
71-8863	2 U (3.5" / 88.9mm) Blank Panel		INCLUDED
71-8871	7 U (12.5" / 311.2mm) Blank Panel		INCLUDED
97-2905	Factory Labor Code to Assemble, Program and Test		INCLUDED

BASE TECH II - ANALOG UHF BAND BASE STATION

Midland Base Tech II UHF Band Analog Base Station 25 - 50 Watt TX Power

FEATURES

UHF 400 - 500 MHz 71-4050B (A / B / C)

UHF 400 - 435 MHz (A Band)

UHF 440 - 474 MHz (B Band)

UHF 465 - 500 MHz (C Band)

99 Channel Capacity

Programmable 12.5 / 25 KHz by Channel

Fully Assembled; Factory Tested and Tuned

Programmable by Channel for Direct or Repeat Operation

Built in C.O.R. (Carrier Operated Relay) and TOT (Time-Out-Timer)

Microphone Included

2.5 kHz Channel Stepping

25 - 50 Watt TX

Programmable CTCSS / DCS



PRICING LISTED IS FOR CONFIGURED BASE / REPEATER AS LISTED. ANY RECONFIGURATION WILL BE BASED ON INDIVIDUAL COMPONENT PRICING.

MODEL	DESCRIPTION	LIST	CONTRACT
71-4050B (A / B / C)	Midland Base Tech II UHF Band Control Station , Cabinet Mount, Conventional Operation, 25 - 50 Watts TX Power	\$9,396.20	\$6,107.53
71-4050 (A / B / C)	Base Tech II Transceiver 25 - 50 Watts TX Power		INCLUDED
71-0033	Power Cord, DC, 4 Foot		INCLUDED
71-7125B	120V - 12V / 30 Amp Power Supply, Rack Mount with LCD Meter		INCLUDED
71-7751	Internal TX / RX Antenna Relay Kit		INCLUDED
71-8082	Radio Support Slides (set) Cabinets Only		INCLUDED
71-8820D	Cabinet, 31.5" with Front and Rear Locking Doors		INCLUDED
71-8822-2	Grounding Kit for 71-8820A / D and 71-8830A Cabinets		INCLUDED
71-8834	Base Tech Hardware Kit for 71-8820A / D and 71-8830A Cabinets		INCLUDED
71-8862	1 U (1.75" / 44.45mm) Blank Panel		INCLUDED
71-8863	2 U (3.5" / 88.9mm) Blank Panel		INCLUDED
71-8871	7 U (12.5" / 311.2mm) Blank Panel		INCLUDED
97-2905	Factory Labor Code to Assemble, Program and Test		INCLUDED

BASE TECH II - ANALOG UHF BAND BASE STATION

Midland Base Tech II UHF Band Analog Base Station 50 - 100 Watt TX Power

FEATURES

UHF 440 - 474 MHz 71-4110B (B)

99 Channel Capacity

Programmable 12.5 / 25 KHz by Channel

Fully Assembled; Factory Tested and Tuned

Programmable by Channel for Direct or Repeat Operation

Built in C.O.R. (Carrier Operated Relay) and TOT (Time-Out-Timer)

Microphone Included

2.5 kHz Channel Stepping

50 - 100 Watt TX

Programmable CTCSS / DCS



PRICING LISTED IS FOR CONFIGURED BASE / REPEATER AS LISTED. ANY RECONFIGURATION WILL BE BASED ON INDIVIDUAL COMPONENT PRICING.

MODEL	DESCRIPTION	LIST	CONTRACT
71-4110BB	Midland Base Tech II UHF Band Control Station , Cabinet Mount, Conventional Operation, 50 - 100 Watts TX Power	\$9,396.20	\$6,107.53
71-4110 (B)	Base Tech II Transceiver 50 - 100 Watts TX Power		INCLUDED
71-0033	Power Cord, DC, 4 Foot		INCLUDED
71-7125B	120V - 12V / 30 Amp Power Supply, Rack Mount with LCD Meter		INCLUDED
71-7751	Internal TX / RX Antenna Relay Kit		INCLUDED
71-8082	Radio Support Slides (set) Cabinets Only		INCLUDED
71-8820D	Cabinet, 31.5" with Front and Rear Locking Doors		INCLUDED
71-8822-2	Grounding Kit for 71-8820A / D and 71-8830A Cabinets		INCLUDED
71-8834	Base Tech Hardware Kit for 71-8820A / D and 71-8830A Cabinets		INCLUDED
71-8862	1 U (1.75" / 44.45mm) Blank Panel		INCLUDED
71-8863	2 U (3.5" / 88.9mm) Blank Panel		INCLUDED
71-8871	7 U (12.5" / 311.2mm) Blank Panel		INCLUDED
97-2905	Factory Labor Code to Assemble, Program and Test		INCLUDED

BASE TECH II - ANALOG UHF REPEATER STATION

Midland Base Tech II UHF Band Analog Repeater Station 25 - 50 Watt TX Pow

FEATURES

UHF 400 - 500 MHz 71-4050R (A / B / C)

UHF 400 - 435 MHz (A Band)

UHF 440 - 474 MHz (B Band)

UHF 465 - 500 MHz (C Band)

99 Channel Capacity

Programmable 12.5 / 25 KHz by Channel

Fully Assembled; Factory Tested and Tuned

Programmable by Channel for Direct or Repeat Operation

Built in C.O.R. (Carrier Operated Relay) and TOT (Time-Out-Timer)

Microphone Included

2.5 kHz Channel Stepping

25 - 50 Watt TX

Programmable CTCSS / DCS



PRICING LISTED IS FOR CONFIGURED BASE / REPEATER AS LISTED. ANY RECONFIGURATION WILL BE BASED ON INDIVIDUAL COMPONENT PRICING.

MODEL	DESCRIPTION	LIST	CONTRACT
71-4050R (A / B / C)	Midland Base Tech II UHF Band Repeater Station , Cabinet Mount, Conventional Operation, 25 - 50 Watts TX Power	\$9,396.20	\$6,107.53
71-4050 (A / B / C)	Base Tech II Transceiver 25 - 50 Watts TX Power		INCLUDED
71-0033	Power Cord, DC, 4 Foot		INCLUDED
71-7125B	120V - 12V / 30 Amp Power Supply, Rack Mount with LCD Meter		INCLUDED
71-8082	Radio Support Slides (set) Cabinets Only		INCLUDED
71-8820D	Cabinet, 31.5" with Front and Rear Locking Doors		INCLUDED
71-8822-2	Grounding Kit for 71-8820A / D and 71-8830A Cabinets		INCLUDED
71-8834	Base Tech Hardware Kit for 71-8820A / D and 71-8830A Cabinets		INCLUDED
71-8862	1 U (1.75" / 44.45mm) Blank Panel		INCLUDED
71-8863	2 U (3.5" / 88.9mm) Blank Panel		INCLUDED
71-8871	7 U (12.5" / 311.2mm) Blank Panel		INCLUDED
97-2905	Factory Labor Code to Assemble, Program and Test		INCLUDED

BASE TECH II - ANALOG UHF REPEATER STATION

Midland Base Tech II UHF Band Analog Base Station 50 - 100 Watt TX Power

FEATURES

UHF 440 - 474 MHz 71-4110R (B)

99 Channel Capacity

Programmable 12.5 / 25 KHz by Channel

Fully Assembled; Factory Tested and Tuned

Programmable by Channel for Direct or Repeat Operation

Built in C.O.R. (Carrier Operated Relay) and TOT (Time-Out-Timer)

Microphone Included

2.5 kHz Channel Stepping

50 - 100 Watt TX

Programmable CTCSS / DCS



PRICING LISTED IS FOR CONFIGURED BASE / REPEATER AS LISTED. ANY RECONFIGURATION WILL BE BASED ON INDIVIDUAL COMPONENT PRICING.

MODEL	DESCRIPTION	LIST	CONTRACT
71-4110RB	Midland Base Tech II UHF Band Repeater Station , Cabinet Mount, Conventional Operation, 50 - 100 Watts TX Power	\$9,396.20	\$6,107.53
71-4110 (B)	Base Tech II Transceiver 50 - 100 Watts TX Power		INCLUDED
71-0033	Power Cord, DC, 4 Foot		INCLUDED
71-7125B	120V - 12V / 30 Amp Power Supply, Rack Mount with LCD Meter		INCLUDED
71-8082	Radio Support Slides (set) Cabinets Only		INCLUDED
71-8820D	Cabinet, 31.5" with Front and Rear Locking Doors		INCLUDED
71-8822-2	Grounding Kit for 71-8820A / D and 71-8830A Cabinets		INCLUDED
71-8834	Base Tech Hardware Kit for 71-8820A / D and 71-8830A Cabinets		INCLUDED
71-8862	1 U (1.75" / 44.45mm) Blank Panel		INCLUDED
71-8863	2 U (3.5" / 88.9mm) Blank Panel		INCLUDED
71-8871	7 U (12.5" / 311.2mm) Blank Panel		INCLUDED
97-2905	Factory Labor Code to Assemble, Program and Test		INCLUDED

PL-5000 SERIES PORTABLES

FEATURES

- 5 Watts TX Power UHF and VHF
- 32 Channels (16 per Channel Bank)
- Programmable CTCSS / DCS Tones
- Programmable Two-Tone Decode with Audible Alarm
- VOX Operation
- Programmable 12.5 / 25kHz by Channel
- 8 - Character Alphanumeric Display with Scrolling Function
- MIL-STD-810F Approved



PL-5000 Portable

MODEL	DESCRIPTION	LIST	CONTRACT
PL-5161	VHF/ 5 Watt, 148-174 MHz; Includes Battery, Antenna and Belt Clip	\$295.90	\$192.34
PL-5164	UHF/ 5 Watt, 450-490 MHz; Includes Battery, Antenna and Belt Clip	\$295.90	\$192.34

Antenna

ACC-115B	VHF Antenna, 6" 148-162 MHz, SMA	\$19.80	\$12.87
ACC-115R	VHF Antenna, 6" 162-175 MHz, SMA	\$19.80	\$12.87
ACC-145	UHF Antenna, 6" 450-490 MHz, SMA	\$19.80	\$12.87

Battery

	DESCRIPTION	LIST	CONTRACT
ACC-202	1650mAH NiMH (Nickel Metal Hydride) Battery	\$52.80	\$34.32

Select Battery Charger

	DESCRIPTION	LIST	CONTRACT
ACC-470	Single Unit Rapid Rate "Smart" Desktop Battery Charger (requires charger cup sold separately)	\$79.20	\$51.48
ACC-480	Single Unit Standard Rate Desktop Battery Charger (requires charger cup sold separately)	\$26.40	\$17.16
ACC-490	Dual Unit "Smart / Standard" Desktop Battery Charger (requires 2 charger cups sold separately)	\$99.00	\$64.35
ACC-471	Charger Cup Adapter for ACC-202 Battery (for use with ACC-470 / 480 / 490)	\$6.60	\$4.29
ACC-474	Charger Cup Adapter for ACC-207 Battery (for use with ACC-470 / 480 / 490)	\$6.60	\$4.29

70-440BP PORTABLE

FEATURES

0.5 to 2 Watts TX Power UHF and VHF
 99 Channels
 LCD Channel Display
 Programmable CTCSS / DCS Privacy Tones
 VOX Operation
 Programmable 12.5 / 25kHz by Channel
 Scan
 MIL-STD-810 C/D/E Approved



70-440BP Portable

MODEL	DESCRIPTION	LIST	CONTRACT
70-440BP	UHF/ 0.5 to 2 Watt, 99 Channel, 440-470 MHz; Includes Battery, Antenna and Belt Clip	\$196.90	\$127.99

Antenna

MODEL	DESCRIPTION	LIST	CONTRACT
ACC-104UW	UHF Antenna, 3.5", 440-470 MHz, Stud Mount	\$19.80	\$12.87
CA-5506B	UHF Antenna, 6" 440-470 MHz, Stud Mount	\$19.80	\$12.87

Battery

MODEL	DESCRIPTION	LIST	CONTRACT
18-B02A	1300mAH NiMH (Nickel Metal Hydride) Battery	\$70.40	\$45.76

Battery Charger

MODEL	DESCRIPTION	LIST	CONTRACT
81-380	Single Unit Rapid Rate Desktop Charger with Power Supply	\$85.80	\$55.77
ACC-470	Single Unit Rapid Rate "Smart" Desktop Battery Charger (requires charger cup sold separately)	\$79.20	\$51.48
ACC-480	Single Unit Standard Rate Desktop Battery Charger (requires charger cup sold separately)	\$26.40	\$17.16
ACC-490	Dual Unit "Smart / Standard" Desktop Battery Charger (requires 2 charger cups sold separately)	\$99.00	\$64.35
ACC-476	Charger Cup Adapter for 18-B02A Battery (for use with ACC-470 / 480 / 490)	\$6.60	\$4.29

Audio Accessories

MODEL	DESCRIPTION	LIST	CONTRACT
ACC-626	Dual Cup Over-the Head Headset	\$435.60	\$283.14
ACC-627	Dual Cup Behind-the-Head Headset	\$510.40	\$331.76
ACC-504	Audio Accessory Locking Retainer	\$8.80	\$5.72
QPA-1421	Speaker Microphone with Angled Connector	\$61.60	\$40.04

Step 4: Select Carry Accessories

MODEL	DESCRIPTION	LIST	CONTRACT
81-BC1	Spring Loaded Belt Clip	\$13.20	\$8.58

Step 5: Select Service Items

MODEL	DESCRIPTION	LIST	CONTRACT
81-100	PC Software Kit (Windows® 98 or later) on CD ROM	\$88.00	\$57.20
70-440000	70-440BP Service Manual	\$37.40	\$24.31
95-4010	Factory Programming	\$93.50	\$60.78

TITAN SERIES TRUNK MOUNT MOBILES

FEATURES

- Low Band & VHF High Band Models (Note Radios Only Available in Trunk Mount Config)
- 110 Watts TX Output Power
- Up to 320 Channels and 40 Scan Groups
- User Configurable Scan Allows User to Add or Delete Channels
- Dynamic Group Scanning - Scan One Group of All Groups
- Scan Escape Function for Easy Communications on Last Busy Channel
- Programmable DTMF ANI Option
- CTCSS and DCS Programmable by Channel
- Comanding Programmable by Channel
- Multi-Format 2-Tone Decode
- MIL-STD 810 C/D/E Approved
- Cloning
- Cross Band (In Band) Internal Repeater Option



Titan Low Band & VHF High Band Mobiles

MODEL	DESCRIPTION	LIST	CONTRACT
70-0674C	Low Band 110W 120 Channel Deluxe Head Trunk Mount Titan Mobile (42-50 MHz, C band), Includes Microphone, 15W External. Speaker, Mounting Hardware, Control Cable, and Power Cable	\$1,980.00	\$1,287.00
70-1494B	VHF High Band 110W 120 Channel Deluxe Head Trunk Mount Titan Mobile (150 - 174 MHz, C band), Includes Microphone, 15W External. Speaker, Mounting Hardware, Control Cable, and Power Cable	\$1,980.00	\$1,287.00

Titan Microphone

MODEL	DESCRIPTION	LIST	CONTRACT
70-2184	DTMF Programming Microphone w/ Display, for Titan Mobiles	\$440.00	\$286.00
70-2185	DTMF Microphone, for Titan Mobiles	\$110.00	\$71.50
70-2328A	Standard Replacement Mobile Microphone, for Titan Mobiles	\$55.00	\$35.75

External Speakers

MODEL	DESCRIPTION	LIST	CONTRACT
70-2358	15W Weatherproof External Speaker	\$55.00	\$35.75
70-2365	15W Weatherproof External Speaker, Horn Style	\$60.50	\$39.33

Titan T/M Cables and Mounting Bracket

MODEL	DESCRIPTION	LIST	LIST
70-0046	20' (6 M) High Power DC Power Cable, for Titan Mobiles	\$82.50	\$53.63
70-0076	20' (6 M) Control Cable, for Titan Mobiles	\$137.50	\$89.38
70-2291	Trunk Mount; Mounting Bracket, for Titan Mobiles	\$77.00	\$50.05

TITAN SERIES ACCESSORIES

Titan Series Options - Continued

MODEL	DESCRIPTION	LIST	CONTRACT
70-2182	320 Channel Plug in Option Module, for Titan Mobiles	\$33.00	\$21.45
70-2197	Noise Filter, for Titan Mobiles	\$79.20	\$51.48
70-2203	Deluxe Control Head, for Titan Mobiles (12-Character Alphanumeric Display)	\$438.90	\$285.29
70-2271A	Ignition Sense Kit, High Power, for Titan Mobiles (factory install only)	\$66.00	\$42.90
70-2549	Multi-format ANI Encoder Plug in Option module, for Titan Mobiles	\$159.50	\$103.68

Titan Series Programming

MODEL	DESCRIPTION	LIST	CONTRACT
70-1309	PC Programming Interface Cable, for Titan Mobiles	\$104.50	\$67.93
70-1470	PC Programming Software (Window® 95 or later), for Titan Mobiles	\$110.00	\$71.50
94-4010	Factory Programming (Each)	\$93.50	\$60.78
95-7150	Factory Installation of Option (Each)	\$132.00	\$85.80
70-998225	Programming Manual for Titan Mobiles	\$5.50	\$3.58

Titan Series Service Manuals

MODEL	DESCRIPTION	LIST	CONTRACT
70-067100	Service Manual for 0671 / 0674 / 0571 / 0574 Titan Mobiles	\$132.00	\$85.80
70-139194	Service Manual for 1391 / 1394 / 1491 / 1494 Titan Mobiles	\$66.00	\$42.90

70 Watts VHF TX Output Power
45 Watts UHF TX Output Power
8-Character Alpha-Numeric Display
8, or 128 Channel Models Available
Programmable CTCSS / DCS Codes
6 - Programmable Soft Keys
Programmable Options
Multiple Scan Functions
Two-Tone Encode / Decode
Dynamic Banking (Up to 8 Banks)
Programmable 12.5 / 25kHz by Channel
DB-15 Data Interface Connector
Meets MIL-STD-810F



Step 1: Select MO Series Mobile

MODEL	DESCRIPTION	LIST	CONTRACT
MO-7008	VHF/ 70 Watt, 8 Channel, 136-174 MHz; Includes Microphone, DC Power Supply Cable, and Mounting Hardware	\$483.95	\$314.57
MO-7128	VHF/ 70 Watt, 128 Channel, 136-174 MHz; Includes Microphone, DC Power Supply Cable, and Mounting Hardware	\$505.95	\$328.87
MO-4128	UHF/ 45 Watt, 128 Channel, 430-470 MHz; Includes Microphone, DC Power Supply Cable, and Mounting Hardware	\$438.90	\$285.29

Step 2: Select Microphone

MODEL	DESCRIPTION	LIST	CONTRACT
ACC-4473	Heavy Duty, Standard Replacement, Mobile Microphone	\$70.40	\$45.76
AA-1470A	Heavy Duty Remote Speaker	\$37.40	\$24.31
ACC-709	Heavy Duty DTMF Mobile Microphone	\$132.00	\$85.80

Step 3: Select Power Supply

MODEL	DESCRIPTION	LIST	CONTRACT
LP-18	Power Supply, 110 / 220V AC, 18 Amp, 50% Duty	\$325.60	\$211.64



Step 4: Select Service Items

MODEL	DESCRIPTION	LIST	CONTRACT
ACC-911CD	PC Software (Windows® 98 or later) on CD ROM	\$48.40	\$31.46
ACC-2100	PC Programming Interface Cable	\$63.80	\$41.70
680-100-2017	MO Olympian Series Service Manual	\$37.40	\$24.31
480-020-0073	MO Series Mobile Mounting Bracket Kit	\$32.31	\$21.00
950-040-0031	MO Series Mobile Replacement DC Power Cord	\$32.64	\$21.22
70-2272	Ignition Sense Kit	\$60.50	\$37.51
ACC-502	DTMF Decoder Option Kit	\$110.00	\$71.50
95-7150	Factory Installation of Option (Each)	\$132.00	\$85.80
94-4010	Factory Programming (Each)	\$93.50	\$60.78

ML-3200 SERIES MOBILES

FEATURES

45 Watts TX Output Power VHF
40 Watts TX Output Power UHF
8-Character Alpha-Numeric Scrolling Display
32 Channels with 7 NOAA Weather Channels
Programmable CTCSS / DCS Codes
VOX Operation
External Squelch Control
Multiple Scan Functions
Two-Tone Decode
Receives All Hazards 1050 Hz Tone
Programmable 12.5 / 25kHz by Channe
DB-15 Data Interface Connector
Meets MIL-STD-810F



ML-3200 Mobile

MODEL	DESCRIPTION	LIST	CONTRACT
ML-3215	VHF/ 45 Watt, 148-174 MHz; Includes Microphone, DC Power Supply Cable, and Mounting Hardware	\$350.90	\$228.09
ML3245	UHF/ 40 Watt, 450-490 MHz; Includes Microphone, DC Power Supply Cable, and Mounting Hardware	\$350.90	\$228.09

Microphone

MODEL	DESCRIPTION	LIST	CONTRACT
AA-1470A	Heavy Duty Remote Speaker	\$37.40	\$24.31
ACC-709	Heavy Duty DTMF Mobile Microphone	\$132.00	\$85.50
ACC-4473	Heavy Duty, Standard Replacement, Mobile Microphone	\$70.40	\$45.76

Power Supply

MODEL	DESCRIPTION	LIST	CONTRACT
LP-18	Power Supply, 110 / 220V AC, 18 Amp, 50% Duty	\$325.60	\$211.64

Service Items

MODEL	DESCRIPTION	LIST	CONTRACT
ACC-907CD	PC Software (Windows® 98 or later) on CD ROM	\$48.40	\$31.46
ACC-2032	PC Programming Interface Cable	\$63.80	\$41.47
680-100-2013	ML-3200 Series Service Manual	\$37.40	\$24.31
950-040-0013	ML-3200 Series Mobile Replacement DC Power Cord	\$26.40	\$17.16
95-4010	Factory Programming (Each)	\$93.50	\$60.78

SD SERIES DATA MODULES

FEATURES

POCSAG Capable (Enhanced Signal for POCSAG Signal Encoding) - Wide Flat Frequency Response for Data, No Carrier Drift. SD-226U2 Model

1 to 5 Watts TX Output Power VHF and UHF

Up to 16 Channels

DB 9-Pin Interface Connector (SD-225 Series)

Programmable CTCSS / DCS Codes Per Channel

LED Status Indicator

RoHS (Restriction of Hazardous Substance) Compliant

Programmable 12.5 / 25kHz by Channel

Transmit Time-Out-Timer

Optional AFSK / 1200 Baud Modem

CE Certified (SD-225 Series Data Modules Only)



SD Series Data Module

MODEL	DESCRIPTION	LIST	CONTRACT
SD-225U1	UHF 1-5 Watt, 16 Channel RF Data Module (400-440 MHz)	\$310.00	\$201.50
SD-225U2	UHF 1-5 Watt, 16 Channel RF Data Module (440-480 MHz)	\$310.00	\$201.50
SD-225V2	VHF 1-5 Watt, 16 Channel RF Data Module (148-174 MHz)	\$310.00	\$201.50
SD-226U2	UHF 1-5 Watt, 16 Channel RF Data Module (440-480 MHz) POCSAG Capable	\$310.00	\$201.50
SD-171	VHF 5 Watt, 16 Channel Enhanced feature RF Data Module DB 15-Pin Interface Connector (148-174 MHz)	\$310.00	\$201.50
SD-174	UHF 5 Watt, 16 Channel Enhanced feature RF Data Module, DB 15-Pin Interface Connector (440-470 MHz)	\$310.00	\$201.50

Antenna

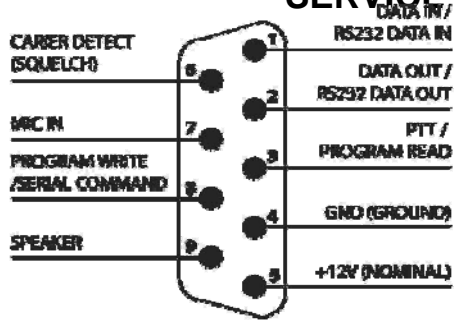
MODEL	DESCRIPTION	LIST	CONTRACT
CA-1506U	VHF Antenna, uncut (148-174 MHz), BNC Mount	\$18.00	\$11.70
CA-4506B	UHF Antenna, 6" (440-470 MHz), BNC Mount	\$24.00	\$15.60

Signaling Option

MODEL	DESCRIPTION	LIST	CONTRACT
ACC-512	AFSK Bell 202 1200 Baud Modem Option Board, for SD-171 Series Data Modules	\$126.00	\$81.90
ACC-512i	AFSK Bell 202 1200 Baud Modem, for SD-225 Series Data Modules	\$145.00	\$94.25
ACC-513	GMSK 9600 Baud Modem Option Board, for SD-170 Series Data Modules	\$126.00	\$81.90

SD SERIES DATA MODULES

SERVICE ITEMS



MODEL	DESCRIPTION	LIST	CONTRACT
ACC-916CD	PC Programming Software (Windows® 95 or later), for SD-170 Series Data Modules	\$44.00	\$28.60
ACC-917CD	PC Programming Software (Windows® 95 or later), for SD-225 / SD-226 Series Data Modules	\$44.00	\$28.60
ACC-2016	PC Programming Interface Cable, for SD-170 Series Data Modules	\$58.00	\$37.70
ACC-2025	PC Programming Interface Cable, for SD-225 / SD-226 Series Data Modules	\$58.00	\$37.70
ACC-2025P	PC Programming Interface Cable, for SD-225 / SD-226 Series Data Modules with External Power Leads	\$76.50	\$49.73
680-100-214	SD-170 Series Data Module Service Manual	\$34.00	\$22.10
680-100-2024	SD-225 Series Data Module Service Manual	\$34.00	\$22.10
ACC-516	Service Extender Board, for SD-170 Series Data Module	\$24.00	\$15.60
ACC-516ii	Service Extender Board, for SD-225 / SD-226 Series Data Module	\$50.00	\$32.50
95-7150	Factory Installing Signaling Options (Each)	\$120.00	\$78.00
95-4010	Factory Programming (Each)	\$85.00	\$55.25