

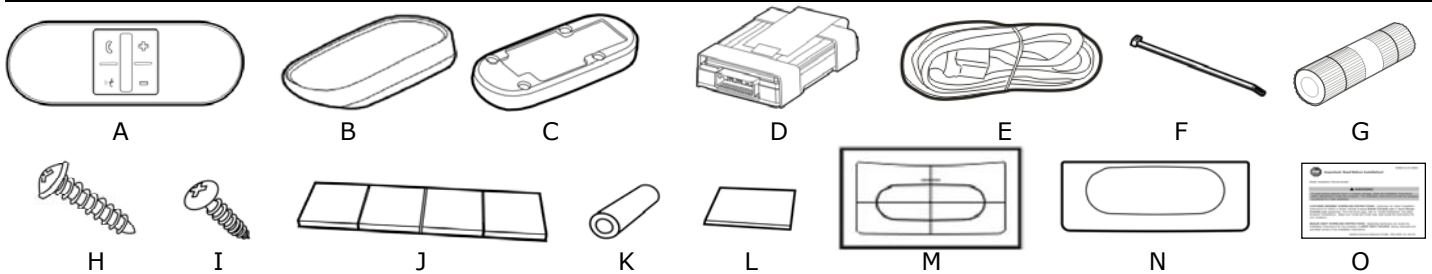


# GENUINE PARTS

## INSTALLATION INSTRUCTIONS

<b>DESCRIPTION:</b>	Bluetooth Hands-Free (JCI BlueConnect)
<b>APPLICATION:</b>	Altima (2011) Sedan Non HEV & Coupe
<b>PART NUMBER:</b>	BlueConnect Kit (999Q3 VX001) *For Altima Sedan without Moon-roof, prior to installation, please confirm if Map Lamp Assembly Back Plate (26439 ZX00A) is immediately available for replacement in case it is damaged during installation.

KIT CONTENTS:			Service Part Number				
Item	Qty.	Part Description	999Q3 VX000	S1	S2	S3	S4
A	1	User Interface Assembly		X			
A	1	• User Interface Board (UIB)		X			
B	1	• Standoff Bezel (Cover)		X			
C	1	• Retainer		X			
D	1	Hands-Free Module Assembly (HFM)			X		
E	1	Harness Kit				X	
E	1	• Wire Harness				X	
F	5	• Cable Ties				X	
G	2	• Posi-Tap				X	
H	2	• Closure Screws (#8x1")		X		X	
I	4	• Retainer Screws (#6x1/2")		X		X	
J	1	• Foam Tape				X	
K	2	• Round Spacer (#8 7/16"L, 1/4"O.D.)		X		X	
L	1	• Flocked Tape (1"x1-1/2")		X		X	
M	1	Installation Template Clear - Altima					X
N	1	Metal Template					X
O	1	Installation Instructions Replacement Template					X



### TOOLS REQUIRED:

- Plastic trim tool
- Phillips #1 screw driver
- Phillips #2 screw driver
- Screw torque wrench (0-25 in-lbs)
- Side cut pliers
- Hand drill
- Spiral bit cutter
- Flex cable (optional)
- Sabre Cut Zip® Bit (1/8"metal and plate)
- Compressed air with blow nozzle
- Safety glasses
- 3mm (1/8") allen wrench
- 3mm (1/8") drill bit
- 6mm (1/4") drill bit
- 8mm nut driver

### PRE-INSTALLATION WARNINGS, CAUTIONS, CRITICAL STEPS, and NOTES:

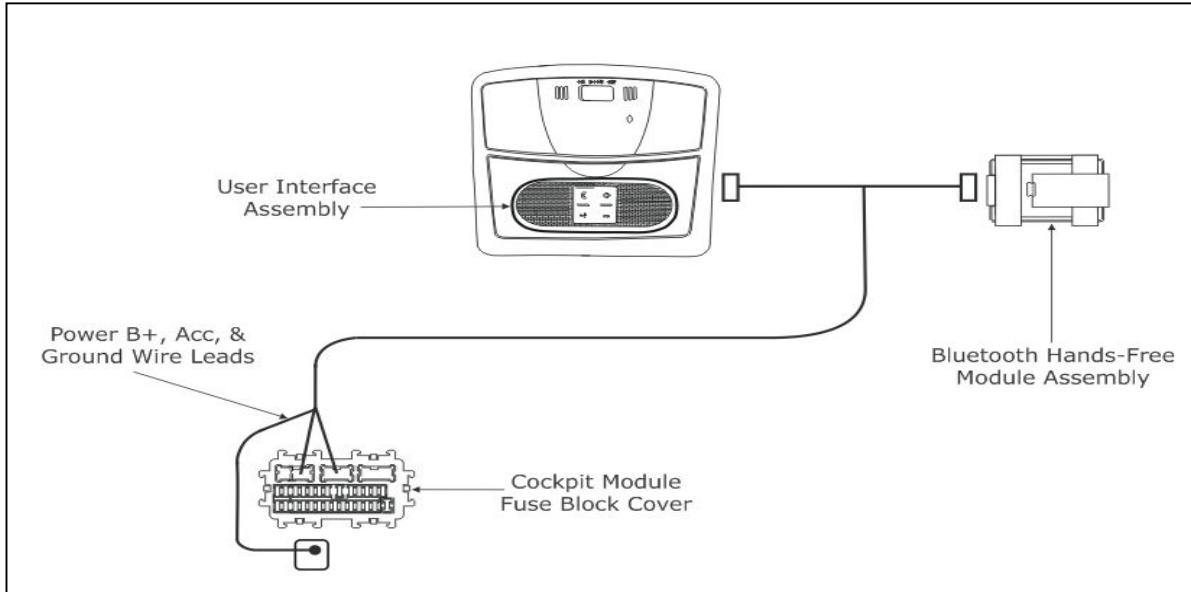
- Dealer Installation Recommended. Instructions may refer to Service Manual.

### ⚠ CAUTION

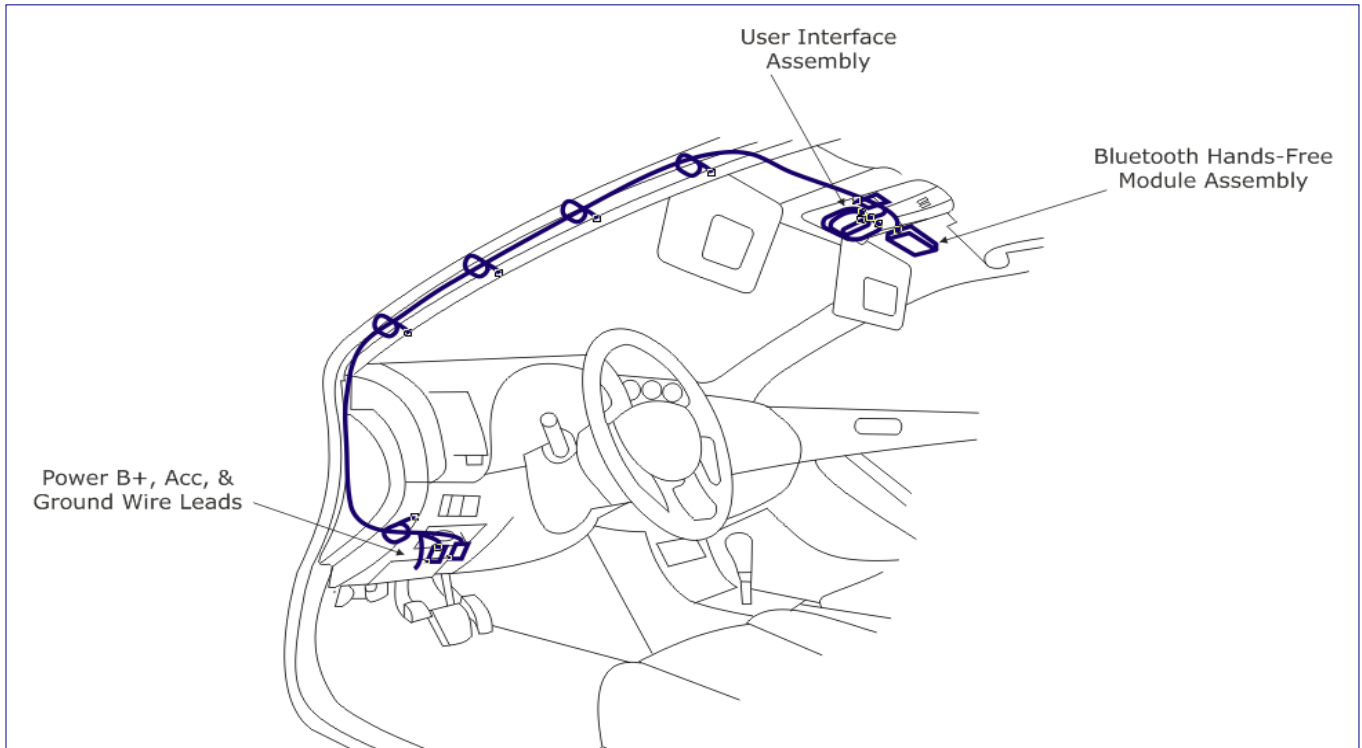
- This accessory will eliminate the use of the sunglasses holder.
- Check the customer's cell phone make, model and carrier to make sure it is compatible with BlueConnect before starting the installation ([www.jciblueconnect.com](http://www.jciblueconnect.com)).

**INSTALLATION OVERVIEW:**

**System Block Diagram**



**Vehicle outline with installation overview**

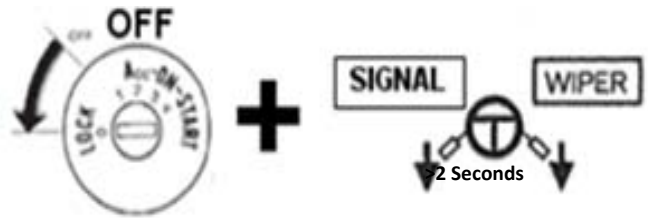
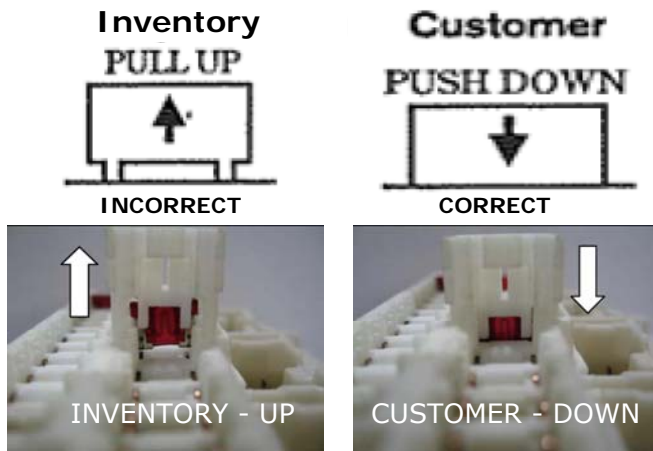


**INSTALLATION PROCEDURE:**

- 1) Apply parking brake.
- 2) Confirm the vehicle is no longer in the default shipping state (Extended Storage Switch Pulled Up and BCM in Transit Mode). Failure to confirm the vehicle has been removed from this state will result in the loss of normal vehicle operation. The confirmation requires two checks:

2a) Locate the Extended Storage Switch in the cabin fuse block. Once located, check that it is in the "Customer" position. See below for reference.

2b) Turn the ignition switch from "OFF" to "ON" position. If turn indicators illuminate for approx. 1 minute, the vehicle is in shipping mode. To exit shipping mode, return the ignition switch to "OFF" position. Simultaneously push the wiper and turn signal stalks downward and hold for 2 seconds.

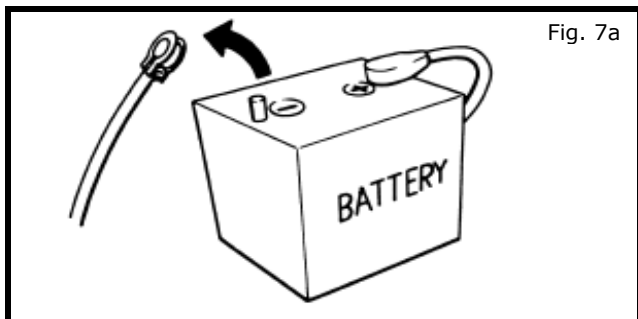


Note: Typical vehicle condition shown above. Switch is easily identifiable by the permanent, push-pull fuse holder. Actual position on the fuse block may vary, vehicle to vehicle.

- 3) Turn ignition switch to "ON" position.
- 4) Record the customer radio presets and other presets as required.

Preset	1	2	3	4	5	6		

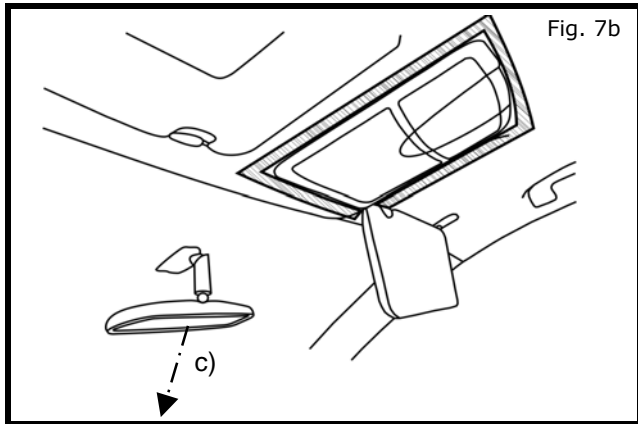
- 5) Put shift lever in "P" position for A/T and CVT or "1st" for M/T.
- 6) Turn ignition switch to "OFF" position.



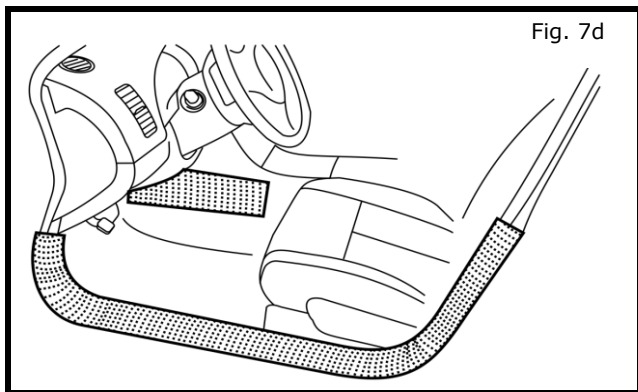
- 7) Prepare for installation / disassembly.
  - a) Disconnect the negative battery terminal.

**CAUTION**

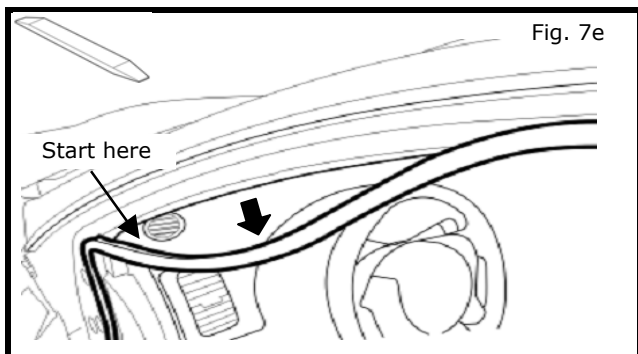
- Take care not to scratch or damage any component during the removal or reinstallation process.
- Trim pieces found to have witness marks or broken clips are not to be reinstalled.



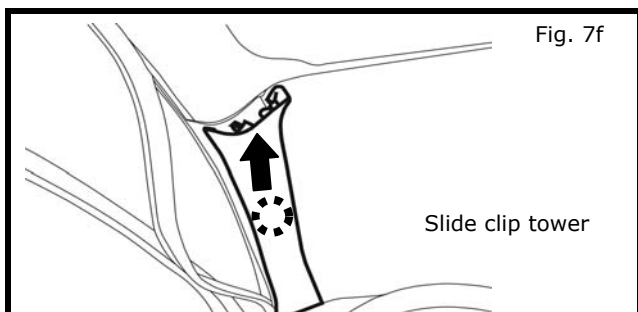
- b) Apply masking tape to headliner for protection around all sides of front map lamp assembly.
- c) Tilt rear view mirror down toward windshield.



- d) Protect the left kick panel, left sill plate, left lower B-pillar and center console as shown in illustration.



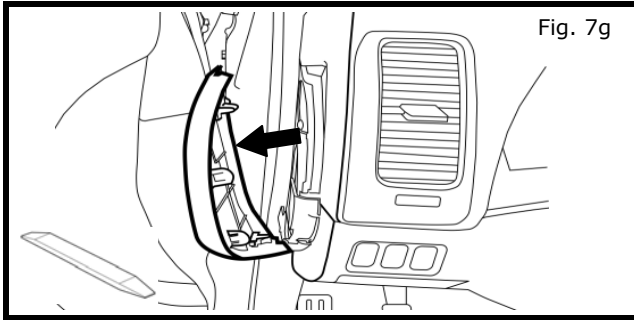
- e) Pull driver's front body side welt loose from A-pillar between top of door opening and dash level.



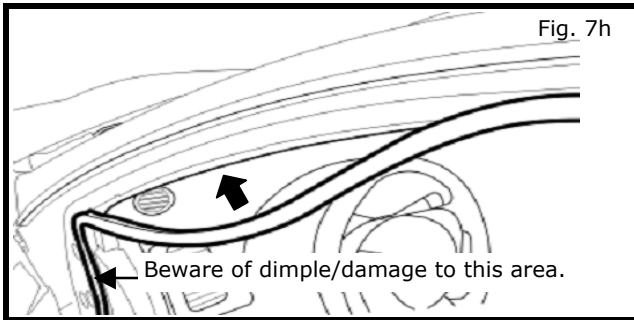
- f) Remove driver's side A-pillar trim, by sliding forward. Displace clip from A-pillar trim. Remove clip from body, then reinstall clip in A-pillar trim.

**NOTE:**  
Use plastic trim tool to displace the clip from A-pillar trim.

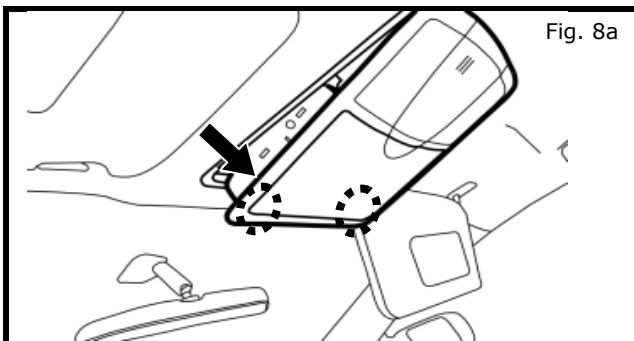
**INSTALLATION PROCEDURE:** (continue)



g) Remove dash side cover.



h) Reinstall driver's front body side welt on A-pillar to prevent dimple/damage.



8) Remove the front map lamp assembly.

**NOTE:**

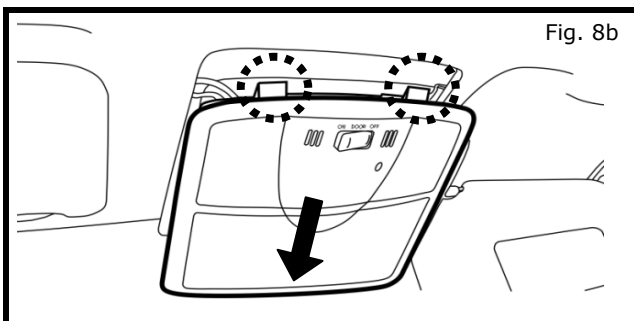
**Front map lamp assembly is secured to vehicle roof beam by two (2) clips at the front.**

- a) Grab front map lamp assembly, with clean fingers only, at front edge and pull straight down, approximately 50mm (2"). Do not use tools.

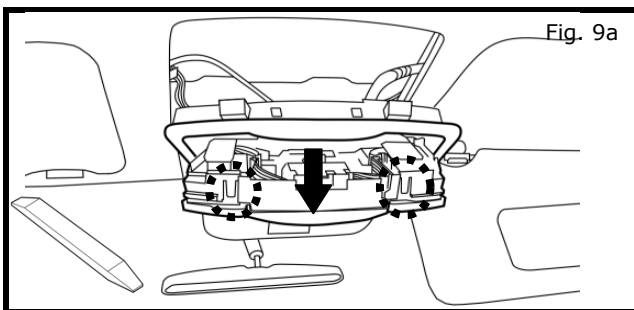


**CAUTION**

Do not pry against headliner.



- b) Slide front map lamp assembly forward 25mm (1") to clear two (2) locating tabs at rear of assembly.



9) **Sedan - Without Sunroof ONLY:**

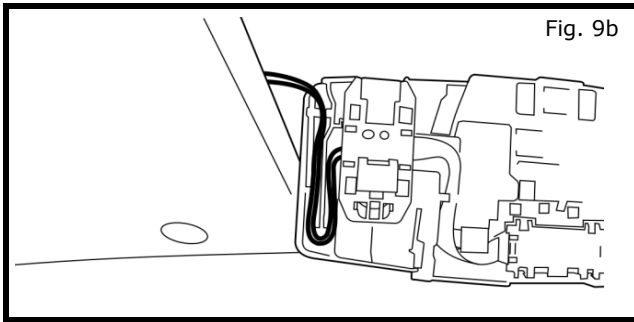


**CAUTION**

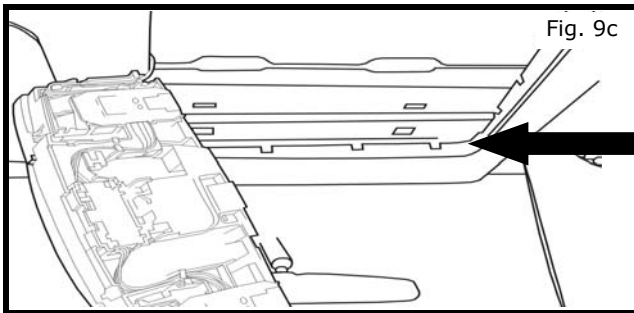
Harness **WILL NOT DISCONNECT** from lamp/switch assembly.

- a) Push clips to release, tilt and remove lamp/switch assembly from front map lamp assembly.

**INSTALLATION PROCEDURE:** (continue)



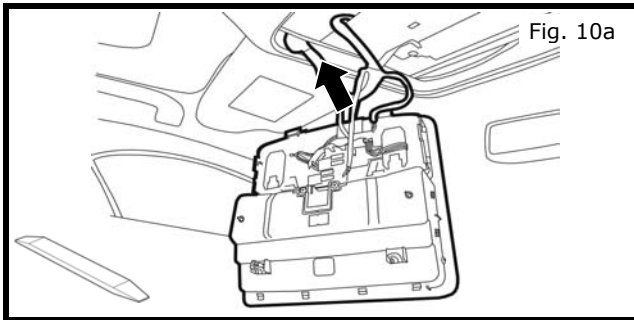
- b) Take note of flat wire harness routing in lamp/switch assembly. Wire harness will need to return to this position during reassembly.



- c) Carefully support lamp/switch assembly.

**Note:**

**Inspect Map Lamp Assembly Back Plate. If there is degradation to any clip (broken, plastic whitening, etc.), must replace Back Plate using P/N 26439 ZX00A. To remove Back Plate, tilt it diagonally and pull it through the Map Lamp Assembly opening.**



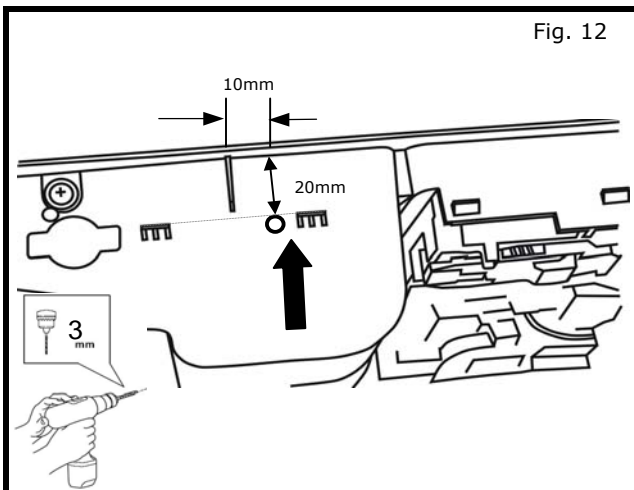
**10) Sedan - With Sunroof / Coupe - All Models:**

- a) Disconnect harnesses at connectors.
- b) Remove front map lamp assembly and set aside for reassembly.

**CAUTION**

- Do not attempt to process or disassemble front map lamp assembly in vehicle.
- Work area should be clean, scratch proof, and free of debris to avoid damage of any component.
- Safety glasses must be worn during front map lamp assembly processing operations.

- 11) Take front map lamp assembly to work area to process.



- 12) Drill pilot hole for door closure screws on sides of front map lamp assembly.

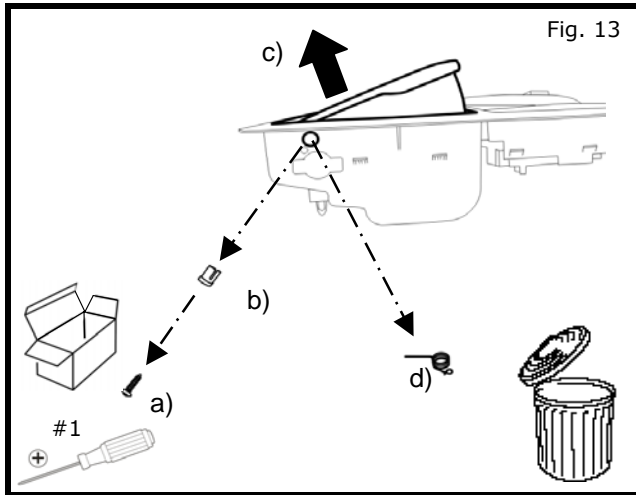
- a) Mark location of pilot hole for closure screw.
- b) Repeat on other side.
- c) Drill through front map lamp assembly and bin door making two (2) pilot holes with 3mm (1/8") drill bit.

**NOTE:**

**Drill must penetrate both walls.**

- d) Repeat on other side.

**INSTALLATION PROCEDURE:** (continue)

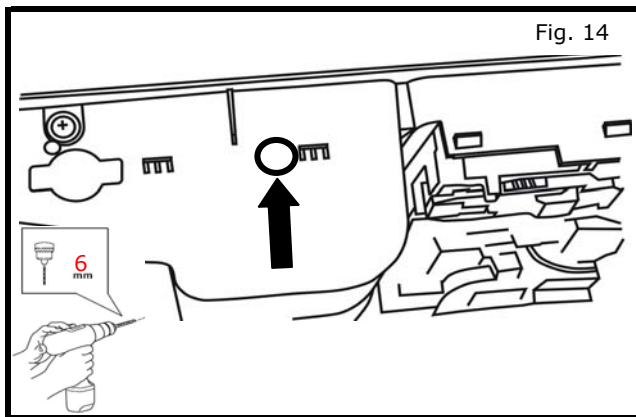


13) Remove sunglass bin door from front map lamp assembly.

- a) Remove two (2) screws. Retain for reassembly.
- b) Remove pivot bushing. Retain for reassembly.
- c) Tilt sunglass bin door up and remove. Set aside.
- d) Remove and discard pivot spring.

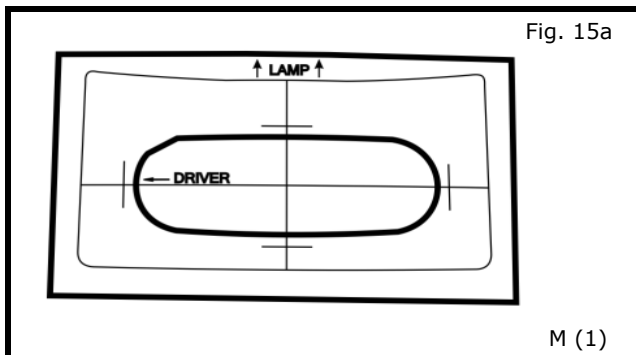
**NOTE:**

**Work area should be clean, scratch proof, and free of debris to avoid damage of any component.**



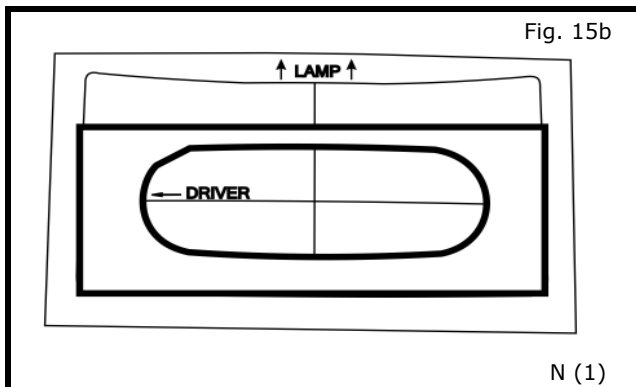
14) Enlarge hole for round spacer on sides of front map lamp assembly.

- a) Drill pilot hole made in step 12 with 6mm (1/4") drill bit to enlarge.
- b) Repeat on other side.



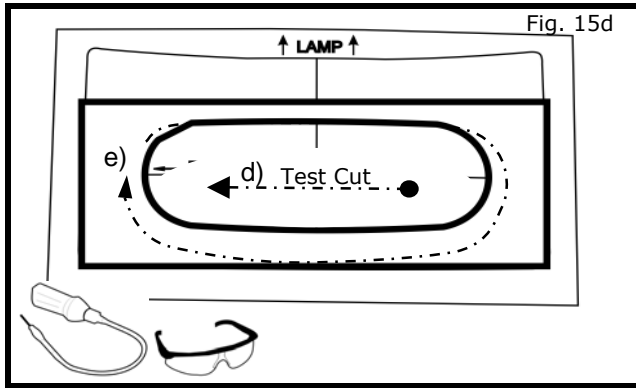
15) Cut opening in sunglass bin door.

- a) Align and apply clear template (M) to sunglass bin door.



- b) Align and apply metal template (N) on top of clear template.

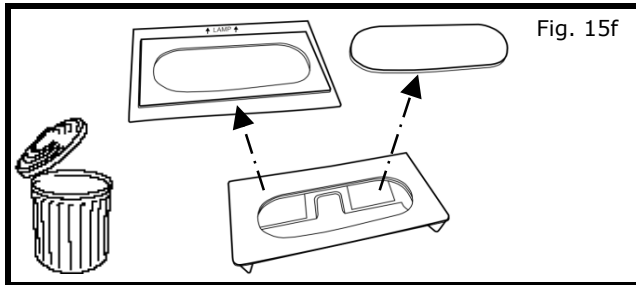
**INSTALLATION PROCEDURE:** (continue)



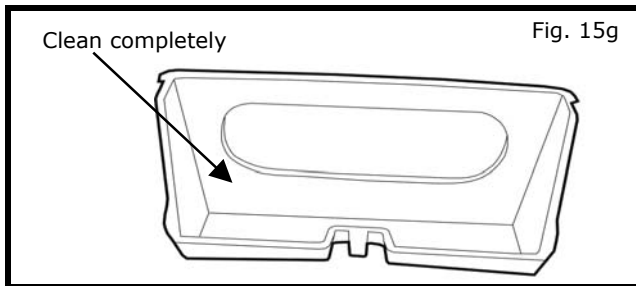
- c) Turn on rotary cutter. Recommended RPM range 15,000 to 20,000.
- d) Test cut in center of sunglasses bin door. Check for proper cut feed rate. To minimize bit chatter, adjust RPM accordingly.

Place spiral bit in center of cutout area. Apply slight downward pressure to start cut in bin door surface.

- e) Move cutter until it comes in contact with metal template opening. Then continue cutting the opening in a **CLOCKWISE DIRECTION** with gentle pressure.



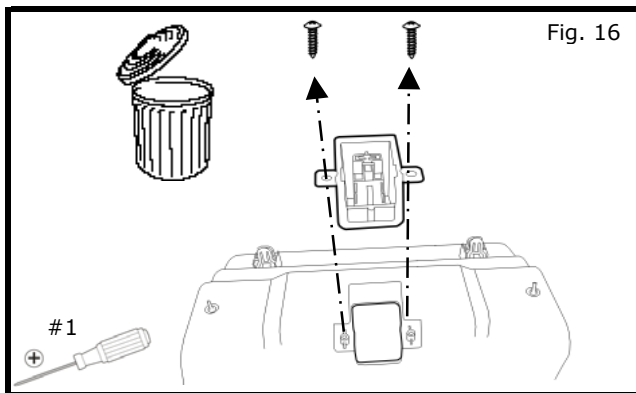
- f) Discard oval section of sunglasses bin door. Remove and discard both templates.



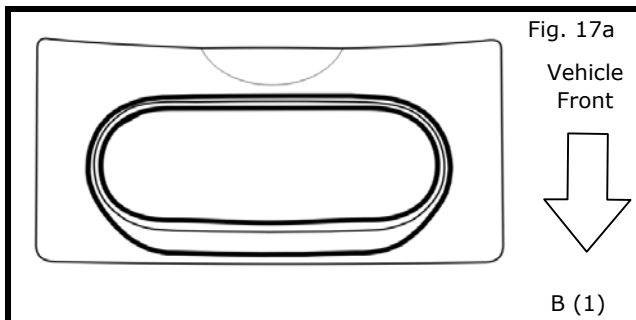
- g) Clean all debris from inside sunglasses bin door and front map lamp assembly with compressed air.

**NOTE:**

**It is important that ALL debris has been completely removed.**



- 16) Remove and discard screws and latch from front map lamp assembly with **phillips #1 screwdriver** to make access hole for wire harness.

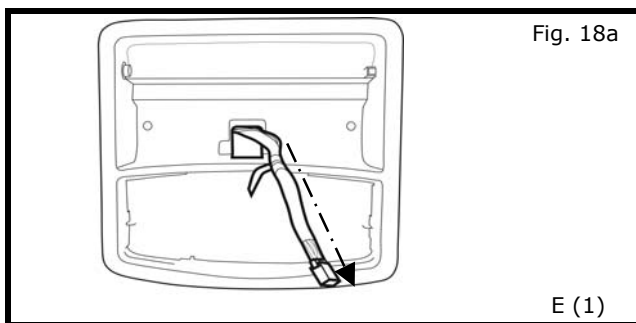
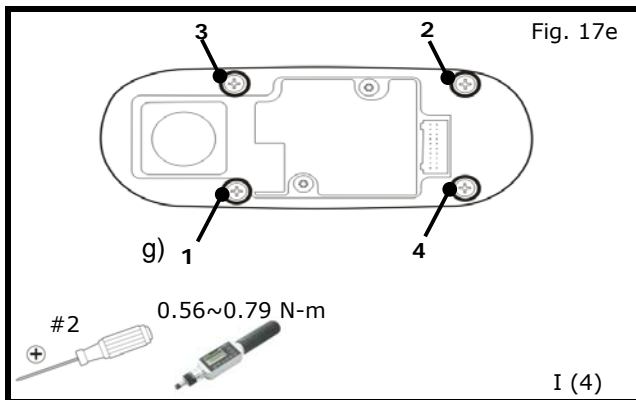
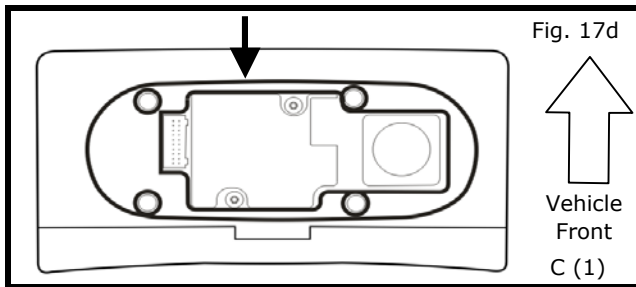
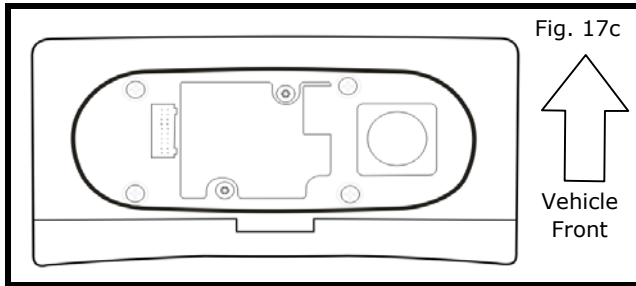
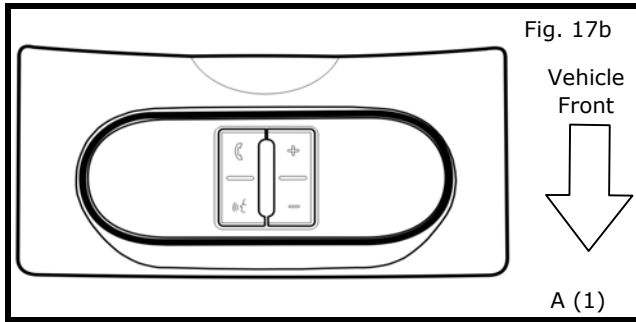


- 17) Install user interface assembly in sunglasses bin door.

- a) Place standoff bezel (B) on sunglasses bin door in correct orientation, see drawing.



**INSTALLATION PROCEDURE:** (continue)



- b) Place user interface board (A) on standoff bezel (B) and sunglass bin door in correct orientation, see drawing.

**NOTE:**

**Flat area on UIB should align with flat area on sunglass bin door hole.**

- c) Hold user interface board, standoff bezel, and sunglass bin door together and turn face down on clean surface.

- d) Place retainer (C) on back side of user interface board in correct orientation, see drawing.

- e) Place four (4) retainer screws (I) through retainer and insert tip of each screw in the user interface board holes. Start each screw by tightening two (2) full turns with screwdriver.
- f) Check alignment of user interface board in sunglass bin door cutout. It should be centered and parallel to edge of sunglass bin door. Check for gaps and bezel alignment.
- g) Follow sequence in drawing and tighten screws to 0.56~0.79 N-m (5~7 inch pounds) using screw torque wrench.

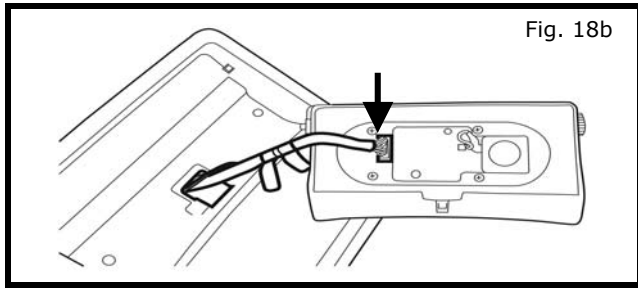
**NOTE:**

**DO NOT over tighten screws.**

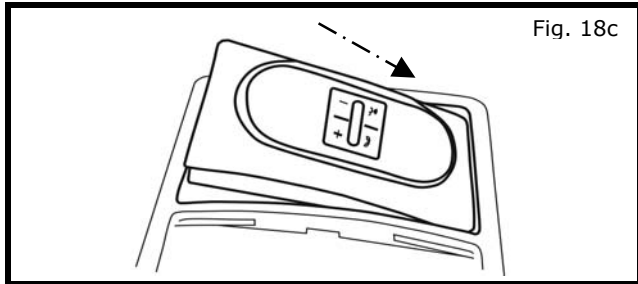
- 18) Reassemble sunglass bin door in front map lamp assembly.

- a) Pass smaller white connector of wire harness (E) through access hole in front map lamp assembly.

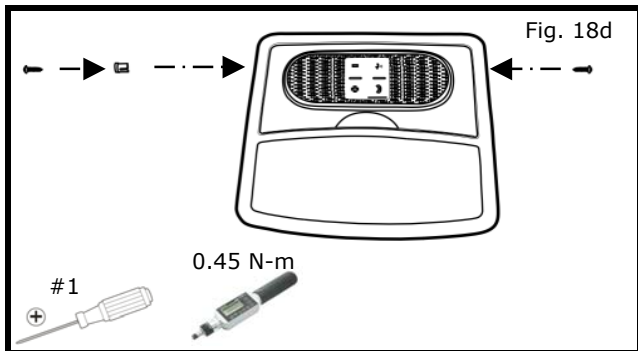
**INSTALLATION PROCEDURE:** (continue)



- b) Plug wire harness connector into user interface assembly. Press firmly until "click" is heard.

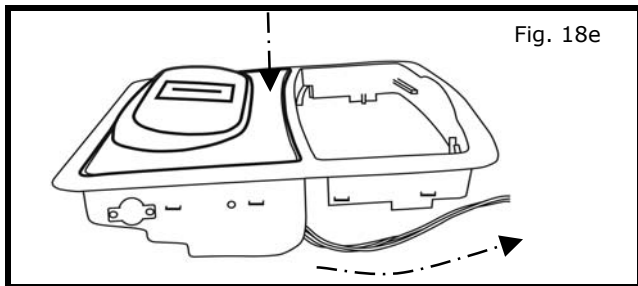


- c) Place pivot post end of sunglass bin door in front map lamp assembly pivot hole.

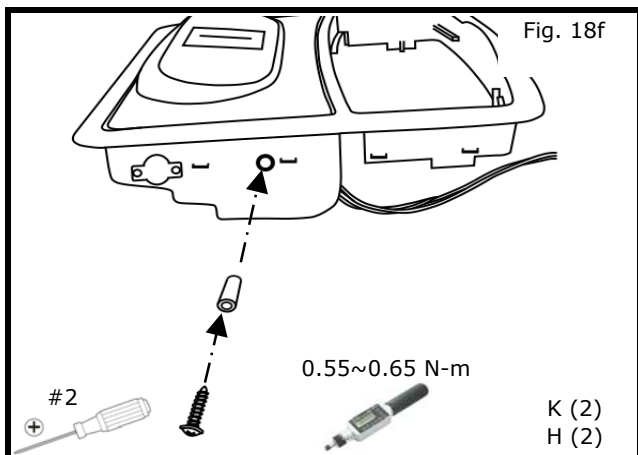


- d) Align pivot bushing post with front map lamp assembly pivot hole and insert bushing. Install pivot screws and tighten to 0.45 N-m (4 inch pounds).

**NOTE:**  
**DO NOT over tighten screws.**



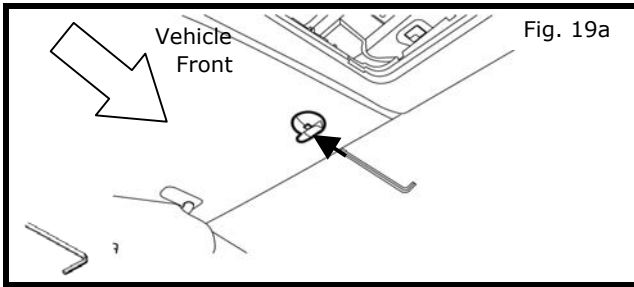
- e) Close sunglass bin door taking care to route wire harness through access hole.



- f) Insert two (2) closure screws (H) into two (2) round spacers (K) and install in drilled holes on sides of front map lamp assembly. Tighten to 0.55~0.65 N-m (4.92~5.76 inch pounds).

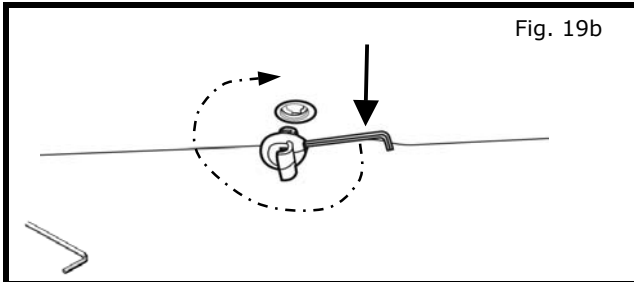
**NOTE:**  
**DO NOT over tighten screws.**

**INSTALLATION PROCEDURE:** (continue)

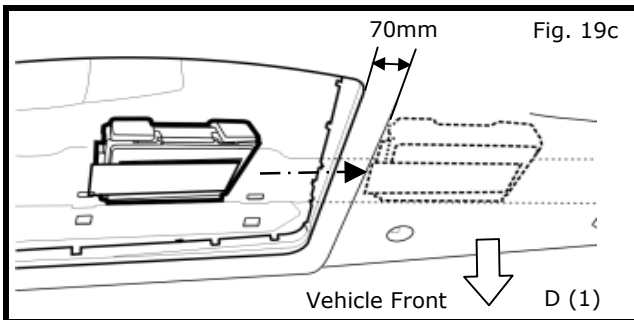


19) Install hands-free module assembly.

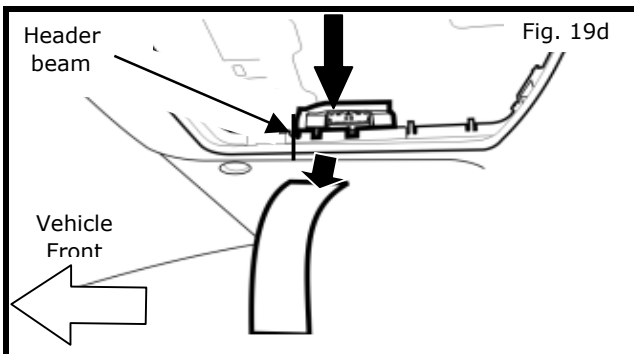
- a) Remove driver side sun visor center anchor brackets by inserting allen wrench in opening on forward side of anchor. Angle allen wrench 15° to engage lock tab.



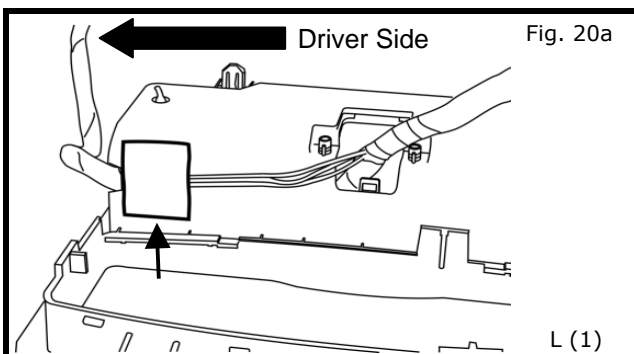
- b) Press to release clip while turning anchor counter clockwise to remove. Repeat this process on the passenger side.



- c) Fold adhesive backing on hands-free module assembly (D) back and hold in place. Place hands-free module assembly between the headliner and roof panel on passenger side of opening approximately 70mm (2.75") inward. Align with adhesive tape down toward headliner.



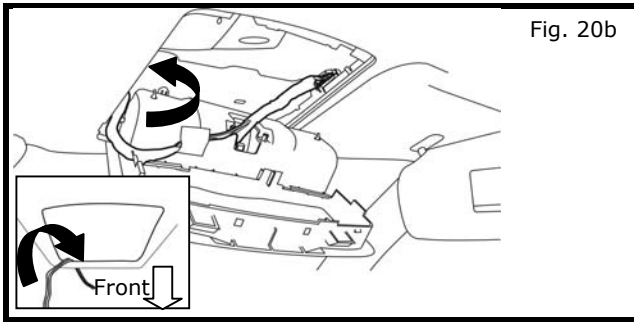
- d) Position hands-free module against header beam. Pull adhesive backing to remove and press firmly into place against the headliner being careful not to crease the headliner.



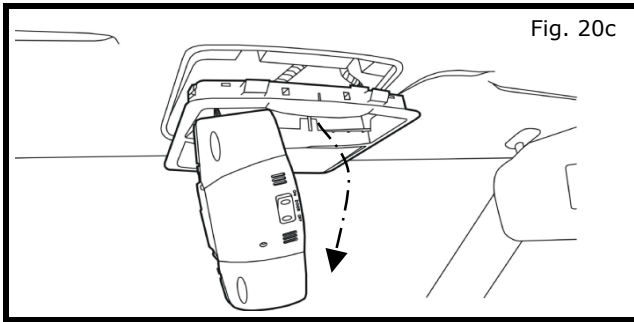
20) Install front map lamp assembly.

- a) Route wire harness power/ground leads toward driver side of vehicle and apply flocked tape (L) to secure, as shown.

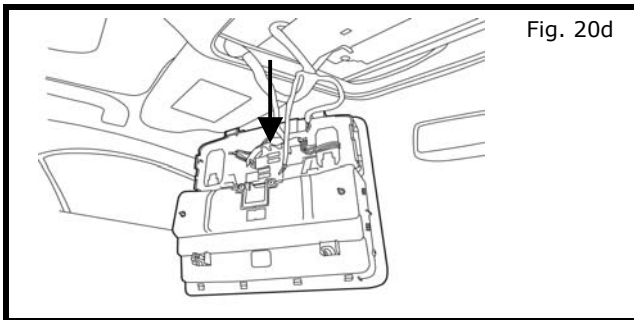
**INSTALLATION PROCEDURE:** (continue)



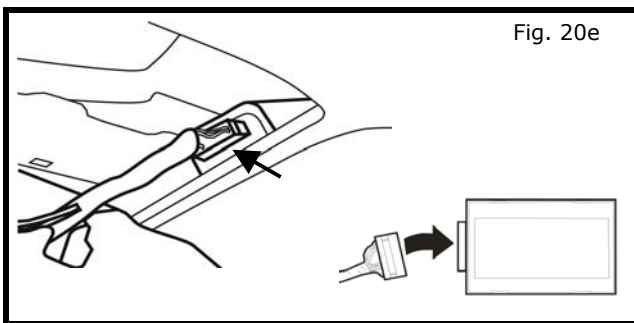
- b) Route wire harness power/ground leads between headliner and roof beam above rear view mirror and let hang down.



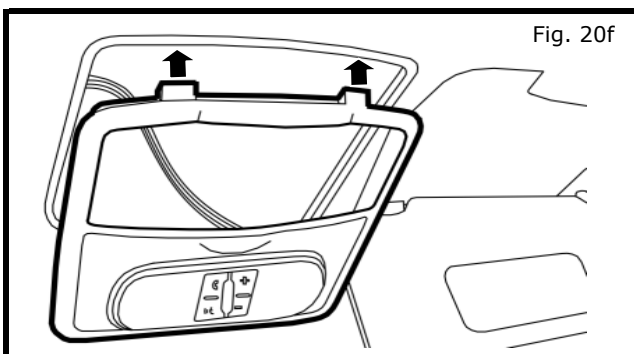
- c) **Sedan - Without Sunroof ONLY:**  
Pass lamp/switch assembly through opening in front map lamp assembly and support.



- d) **Sedan - With Sunroof / Coupe - All Models:**  
Connect sunroof and map lamp harness connectors.



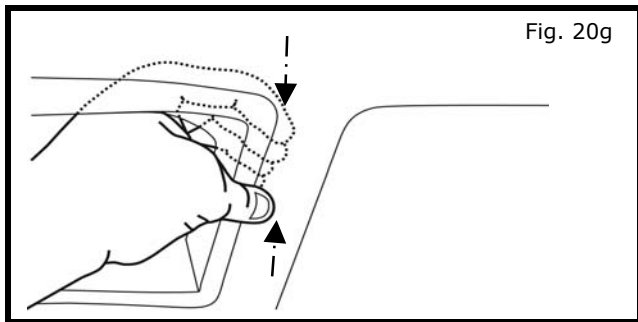
- e) Support front map lamp assembly and connect wire harness large connector to hands-free module assembly.



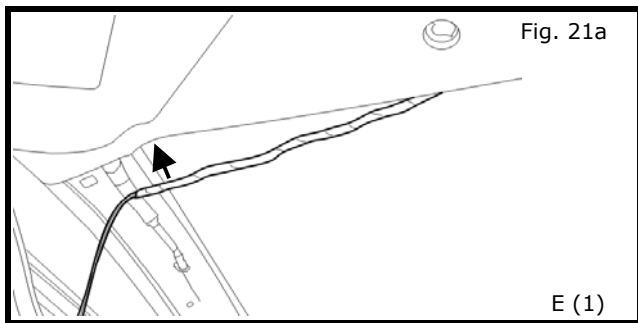
- f) Insert front map lamp assembly in headliner opening taking care to route wire harness out of way. Insert two (2) alignment tabs at rear, then insert two (2) clips in roof. Snap in place.

**NOTE:**  
**Route harness out of way.**

**INSTALLATION PROCEDURE:** (continue)

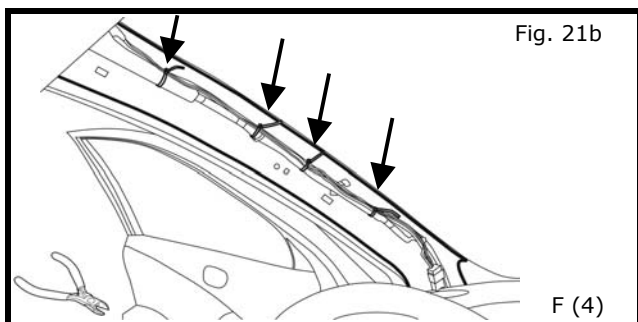


- g) **Sedan - Without Sunroof ONLY:**  
Support front map lamp assembly and headliner with one hand while reaching through the lamp opening. Align the front map lamp assembly retainer with the front map lamp assembly and press retainer downward toward the assembly flange and click tabs in place. Take care to route wire harness out of way. Repeat this step all the way around the front map lamp assembly including from the front and ensure that all tabs are fully engaged (hear click). Quick inspection to see that there is no gap, and condition is the same as prior to installation.



21) Route wire harness lead wires.

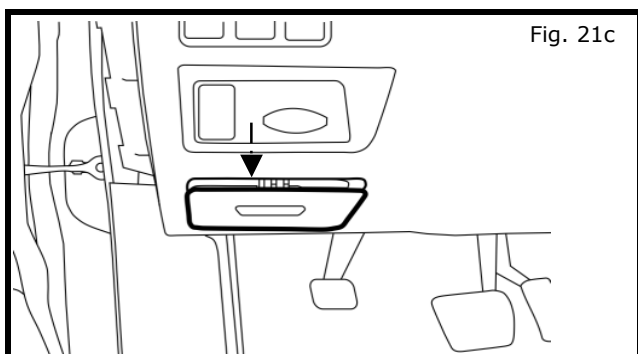
- a) Route wire harness (E) lead wires from front map lamp assembly area to top of A-pillar. Tuck wires between headliner and vehicle roof beam.



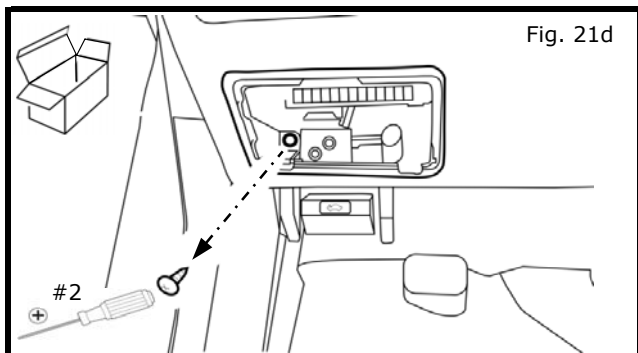
- b) Route wire harness lead wires down A-pillar to dash, making sure it is parallel to the vehicle harness and topside. Secure to anchor points using four (4) cable ties (F). Trim excess cable ties.

**NOTE:**

- Secure the cable ties to plastic harness anchor points, to vehicle harness.
- DO NOT wrap cable ties around sunroof drain tube.

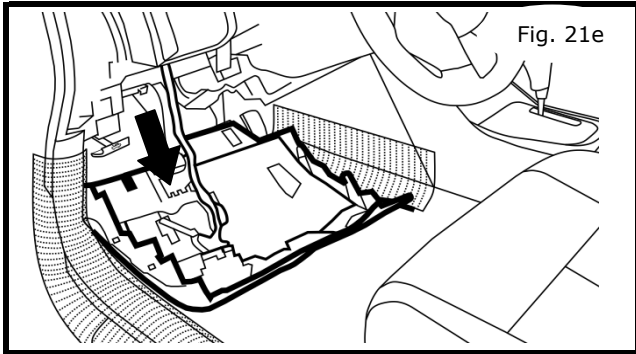


- c) Remove fuse block access panel, located left side of lower dash.

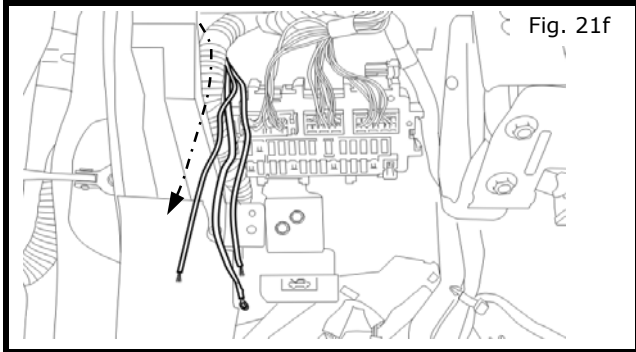


- d) Remove under dash panel screw. Retain for reassembly.

**INSTALLATION PROCEDURE:** (continue)



e) Pull under dash panel toward rear of vehicle to release. Place in floor of vehicle.



f) Route wire harness lead wires between the A-pillar and dash mounting bracket following the same path as the vehicle harness.

**NOTE:**

There is an opening, approximately 19mm (3/4") wide for the harness to pass through. Make sure to route wire harness through this cavity and then to the fuse block area.

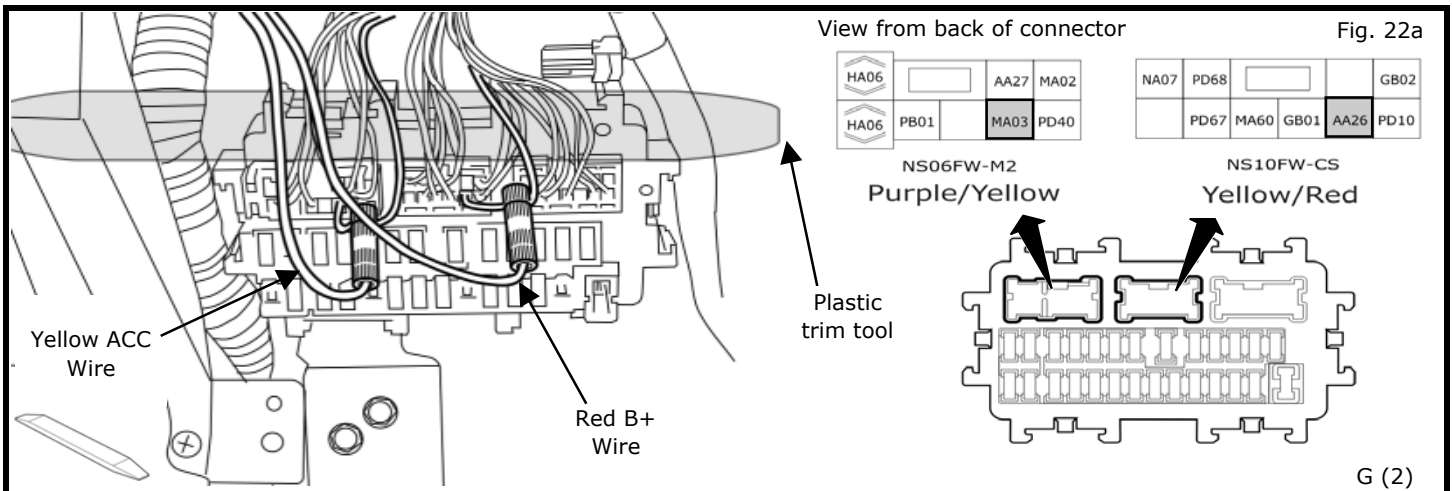
**CAUTION**

- Color(s) given in illustration(s) are for reference only. Use location(s) where color deviates.
- If a vehicle wire is being used by another accessory and a Posi-tap is present, tap the accessory wire, not the vehicle wire.
- Do not pinch the harness between trim when re-installing vehicle trim pieces.

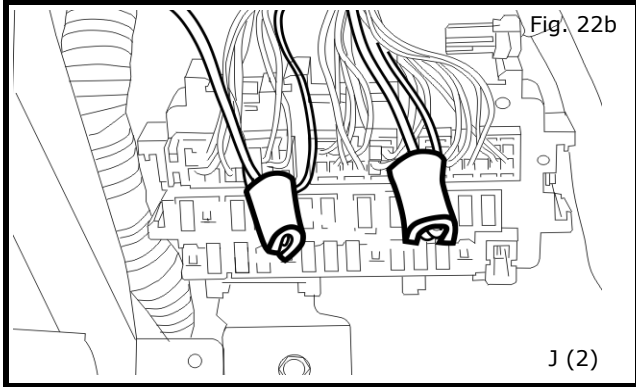
22) Connect wire harness lead wires.

a) Attach the yellow ACC wire to the purple/yellow wire in MA03 location of connector NS06FW-M2 in the fuse block - junction block (J/B). Attach the red B+ wire to the yellow/red wire in AA26 location of connector NS10FW-CS in the fuse block - junction block (J/B).

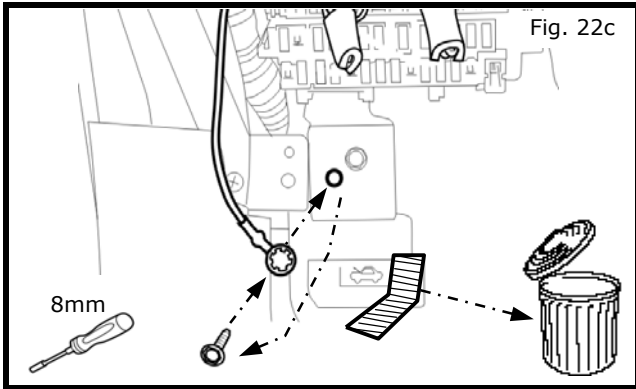
See Posi-tap Installation Detail, steps 1 - 4, on page 16.



**INSTALLATION PROCEDURE:** (continue)

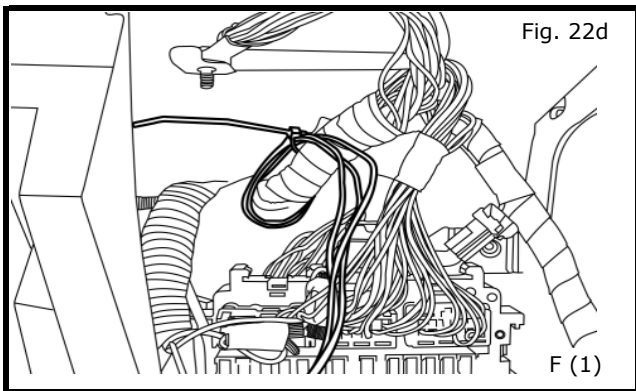


- b) Apply foam pad (J) to each posi-tap. See Posi-tap Installation Detail, step 5, on page 16.



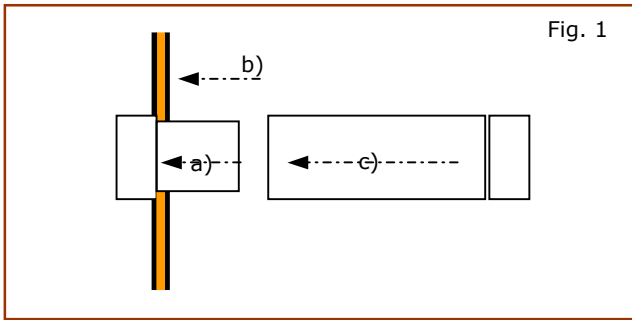
- c) Remove tape from black ground wire eyelet and discard. Remove one (1) of the bracket screws using 8mm nut driver. Route black ground wire with eyelet to bracket screw location, insert screw in eyelet at 10 o'clock position and insert in original location.

**NOTE:**  
**DO NOT over tighten screw.**



- d) Attach harness to vehicle with cable tie (F).

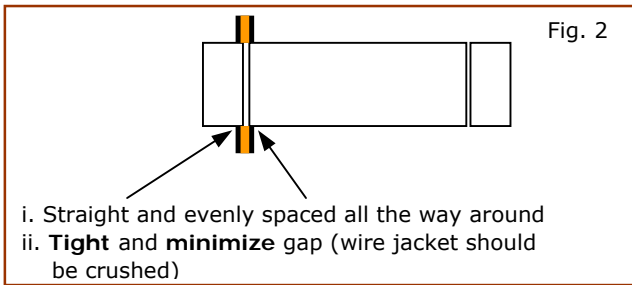
**POSI-TAP INSTALLATION DETAIL:**



- 1) Tap vehicle wire.
  - a) Remove cap (slot side) from tap body.
  - b) Slide cap around vehicle wire.
  - c) Tighten the tap **TIGHT** with finger pressure.

**NOTE:**

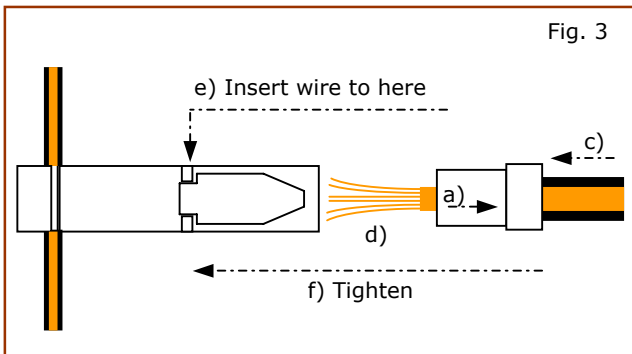
**Do not re-use the tap for subsequent re-installation. Figures are not to scale.**



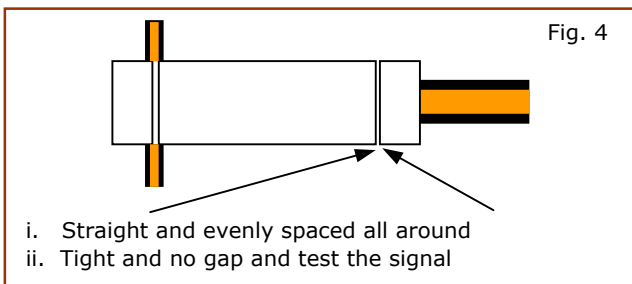
- 2) Inspect the tap to ensure correct installation.

**NOTE:**

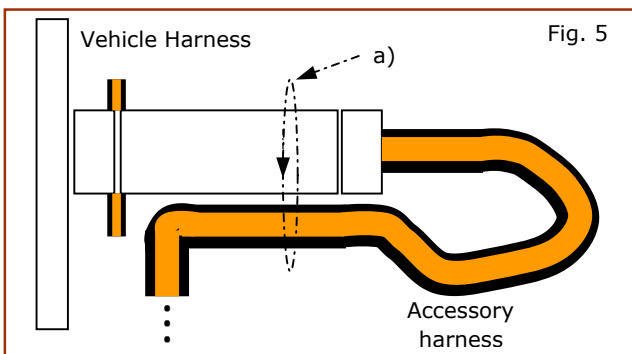
**Avoid putting pressure on the vehicle wire and tap for the remainder of the installation.**



- 3) Tap accessory wire.
  - a) Remove tap (non-pierce) side from tap.
  - b) Remove the protective stub from the wire.
  - c) Insert wire through the non-pierce side opening.
  - d) Spread the individual strands into fan shape.
  - e) Insert wire into the tap body and ensure that it is all the way in.
  - f) Tighten the tap **TIGHT** with finger pressure.



- 4) Confirm the tapped accessory wire.
  - a) Inspect the tap to ensure correct installation.
  - b) Test the signal to ensure that it is working properly.



- 5) Secure the tap.
  - a) Secure the tapped wire on the non-pierce side to the body of the tap with foam tape (wrap wire to posi-tap).

Posi-Tap™ is protected by patent # 5,228,875 5,695,369 5,868,589 6,692,313 Jap 2881414 Aus 708700 Tia 103534 Can 2204826 Mex 200626 Korea 477279 China Z197105562.9 & others pending.



#### ACCESSORY CHECK:

- Connect the battery negative terminal and tighten the nut to appropriate torque.
- Check all **Critical Installation Steps**.
- Check all **torque** values.
  - Retainer screws (I) tighten to 0.68 N-m (6 inch pounds) average. (see step 17g, page 9)  
Allowable range for torque is 0.56~0.79 N-m (5~7 inch pounds).
  - Pivot screws tighten to 0.45 N-m (4 inch pounds). (see step 18d, page 10)
  - Closure screws (H) tighten to 0.60 N-m (5.3 inch pounds). (see step 18f, page 10)  
Allowable range for torque is 0.55~0.65 N-m (4.92~5.76 inch pounds).
  - Battery negative cable tightens to 5.39 N-m (48 inch pounds) average. (see step 7a, page 3)
- Verify all wiring is secure and not exposed.
- Trim all excess cable ties flush.
- Turn ignition switch to "**ACC**" position.
- Confirm accessory main features and functions. See diagnostic flow chart on the next page for troubleshooting.
- Confirm accessory voice prompt current language is set to English. See diagnostic flow chart function check on the next page.

#### RE-INSTALLATION OF REMOVED PARTS:

- Re-install left visor anchor first to properly position headliner.
- Sedan - Without Sunroof ONLY:** Re-install flat wire harness in lamp/switch assembly following original routing. (see step 9b, page 6)
- Re-install all removed vehicle parts. Refer to the vehicle service manual as necessary.



#### CAUTION

Use caution when re-installing interior components to avoid damage, scratches, or breaking of mounting clips. Refer to the vehicle service manual for more information.

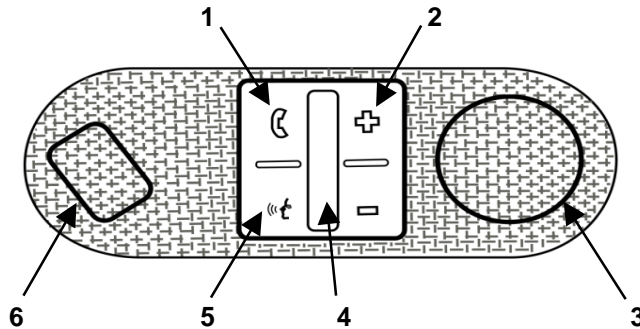
#### FINAL INSPECTION:

- Verify re-installed trim parts for proper flush fit (no gap, no waviness, etc.).
- Verify all clips are fully engaged and locked.
- Verify re-installed trim parts are free from cracks, scratches or stress marks.
- Verify vehicle headliner, seat, steering wheel, center console, floor carpets, etc. are not soiled.
- Verify interior and exterior is not damaged.
- Turn ignition switch to "ON" and confirm proper operation of Vehicle Systems
  - If equipped, verify all window and sunroof one touch operation and perform the reset procedure if necessary. Refer to the vehicle service manual for more details.
  - Confirm proper audio function (AM, FM, SAT, CD and AUX).
- Re-program radio presets and other vehicle settings to the recorded settings.
- Start engine and verify that there are no new Diagnostic Trouble Codes. Turn ignition switch to "**OFF**".
- Place the Owner Manual and Quick Reference Guide in the glove box.

**DIAGNOSTIC FLOW CHART:**

Function Check		
Items To Be Checked		Results of the Check
✓	<b>BLUECONNECT POWER CHECK:</b> Turn the ignition to ACC position. Check BlueConnect operating buttons.	The white operating buttons on the BlueConnect User Interface assembly should illuminate white. Confirm the BlueConnect works when the key is in the ACC position.
✓	<b>BLUECONNECT FUNCTION:</b> Allow 15 seconds after ignition is turned to ACC position for unit to complete self check. Push the volume (+) button three times. Repeat for volume (-) button.	The blue center bar should illuminate blue each time button is pushed and volume tone should increase or decrease.
✓	<b>SPEAKER FUNCTION:</b> With ignition turned to ACC position, push the phone button to activate the system.	The blue center bar should illuminate blue. "BlueConnect Ready" should be heard. Push the phone button again to cancel when done.
✓	<b>MICROPHONE FUNCTION:</b> With ignition turned to ACC position, push the phone button to activate the system. Listen for voice prompt and BEEP, then say "Setup."	BlueConnect should recognize and accept voice command. "Select one of the following..." should be heard. Push the phone button again to cancel when done.
✓	<b>CURRENT LANGUAGE:</b> With ignition turned to ACC position, push the phone button to activate the system. Listen to language voice prompt.	BlueConnect voice prompt should be in English and "BlueConnect Ready" should be heard. If Spanish or French, listen for beep, then say "English." Listen for confirmation prompt and answer "Yes." Push the phone button again to cancel when done.

**BlueConnect® UIB (User Interface Board)**



**1) Phone Button or Activation/ Deactivation Button**

- Push to set up and program unit.
- Push to make a call if not on a call.
- Push to end a call.
- Push to accept or reject an incoming call when on another call.

**2) Volume Up & Down Buttons**

- Push (+) to increase the volume.
- Push (-) to decrease the volume.
- Push either button to the desired volume level when unit is not activated.
- Audible beeps indicate the current volume level.

**3) Speaker**

**4) Blue L.E.D. Light**

- A Blue light illuminates indicating that the unit is activated during a call or when there is an incoming call.

**5) Voice Recognition (VR) or Barge-In Button**

- Push to input a command without having to listen for a prompt.
- Push to transfer a call. This allows you to transfer your call back to your cell phone in the event you want privacy or are exiting the vehicle.
- Push to mute the phone.
- Push to send the DTMF tones.

**6) Directional Microphone**

**HARNESS DIAGRAM: BlueConnect Harness (999Q3 VX031)**

