



For service contact:
German Knife Inc.
1-800-500-3519
www.turboairinc.com

OWNER & OPERATOR INSTRUCTION MANUAL

Model No.

**GBS-230A
GBS-270S**



IMPORTANT SAFETY NOTICE

To ensure safe and trouble free performance of you new German knife slicer, we suggest that all personnel who will use and maintain the slicer read and understand the manual before operating the equipment. Should there be any questions or if we can be of further assistance, please call us toll free at (800) 500-3519.

TABLE OF CONTENTS

	PAGE
Operating and Service Manual	3
Outer Dimension	4
Specification, Motor Wiring	5
Adjustments	6
Start, When the Machine Operation is Blacked Due to Overloads	7
Cleaning, Changing Saw Blade	8
Parts Description GBS-230A	9
Parts Description GBS-270S	10
Upper Saw Wheel Parts	11
Lower Saw Wheel Parts	12
Saw Guide Parts	13
Meat Gauge Parts	14
Channel Parts	15
Meat Carriage Parts	16
Drive Parts	17
Electronic Circuit	18
Troubleshooting	19
Limited Warranty	20

German Knife Inc

4184 E. Conant St., Long Beach, CA 90808

Phone : 800-500-3519

Fax : 310-900-1066

www.turboairinc.com

OPERATING AND SERVICE MANUAL

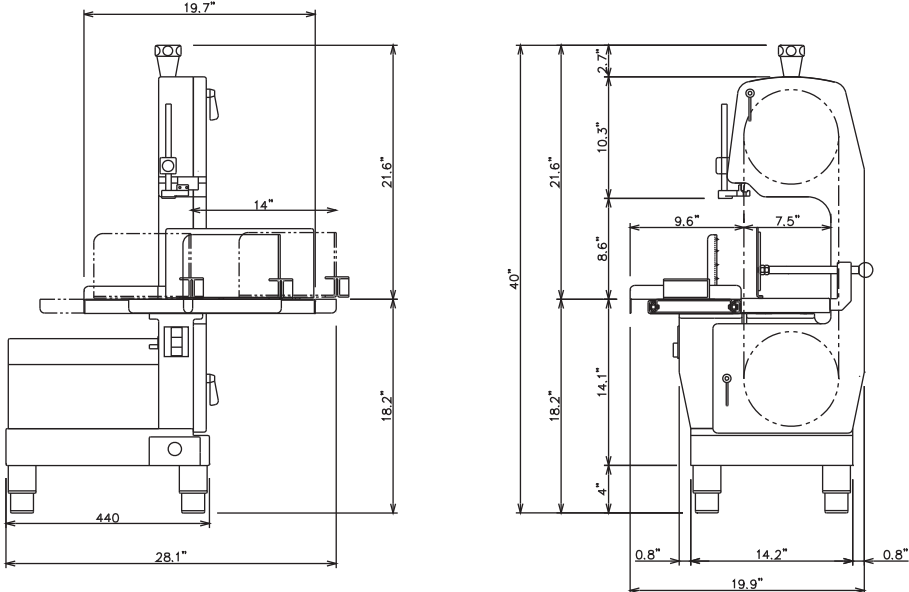
WARNING TO ALL PURCHASERS, OPERATORS AND OPERATION SUPERVISORS : FAILURE TO READ AND ADHERE TO THE FOLLOWING IMPORTANT INSTRUCTIONS COULD RESULT IN BODILY INJURY.

NOTE TO ELECTRICIAN : IF THE CARD & PLAY ON THIS MACHINE IS NOT CONNECTED TO THE ELECTRICAL SUPPLY SOURCE, THEN IT SHOULD BE EQUIPPED WITH, OR CONNECTED TO, A LOCKABLE MANUALLY-OPERATED DISCONNECT SWITCH.

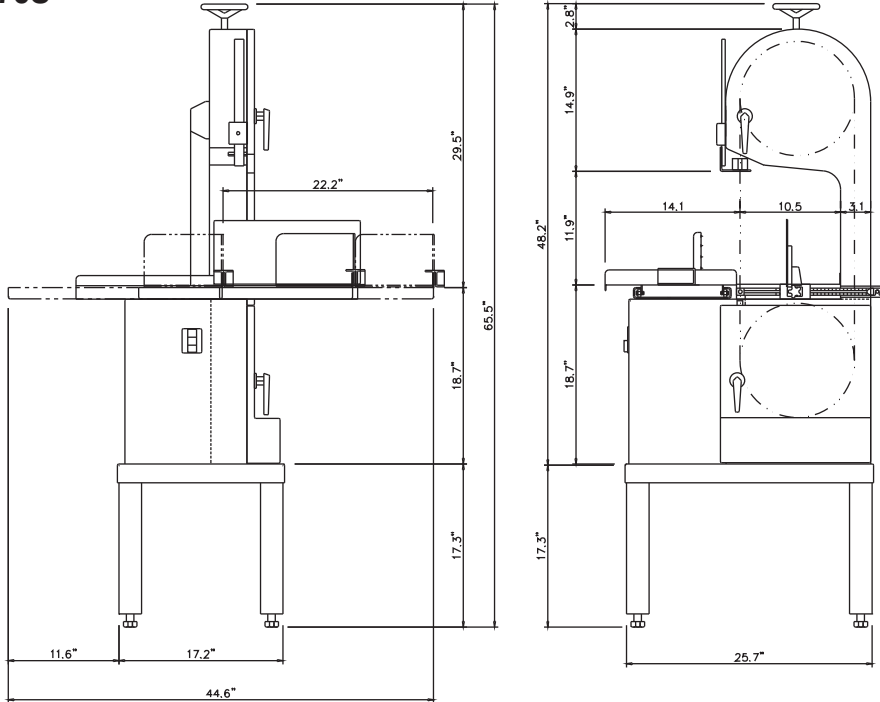
1. Do not electric wire this Meat Saw. Have only a qualified and certified electrician wire this Meat Saw as required. Be sure machine is grounded. Failure to ground this machine could result in electric shock.
2. Do not place machine on sloping floor. Always place machine on flat non-skid floor.
3. Do not use this Meat Saw for non-food products.
4. Do not attempt to operate this Meat Saw until this machine has been inspected and demonstrated by the seller recognized GERMAN KNIFE Representative.
5. Do not attempt to operate this Meat Saw unless you or the operator has been properly trained. Improper use or operation of this Meat Saw could result in bodily injury.
6. Do not leave Meat Saw in operation unattended.
7. Do not tamper, bypass, remove fixed guards, safety interlock electrical switches or any other safety device.
8. Do not at any time force feed product through this Meat Saw.
9. Do not alter or modify this Meat Saw in any way from its original form.
10. Always use safety pusher plate supplied with each Meat saw when cutting small product.
11. Do not touch moving blade or moving parts. Never place hand or arm between blade and head column structure.
12. Always disconnect power supply before removing shrouds, removable guards, covers, doors, fences, panels for servicing, cleaning or any other reason.
13. Use only GERMAN KNIFE parts and accessories properly installed, contact you nearest service agency or The GERMAN KNIFE CORP. for authorized referral assistance.
14. Meat Saw operating manuals as supplied with this power cutter are available from GERMAN KNIFE.

OUTER DIMENSION

GBS-230A



GBS-270S



SPECIFICATION

MODEL		GBS-230A	GBS-270S
Dimension		19.8"x28"x37.5"	27.1"x44.6"x65.5"
Motor		AC120Vx1Phasex3/4HP	AC120Vx1Phasex1.5HP
Weight		88lbs	275lbs
Table	Stationary	7.6"x19.7"	11"x30"
	Carriage	13.8"x22.4"	9.5"x13"
	Loading	14"	22.2"
Length of Saw Blade		65.5"(1665mm)	92.9"(2360mm)

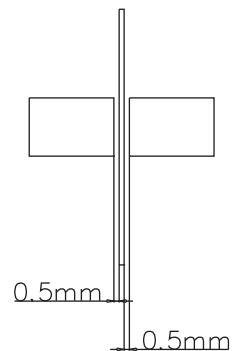
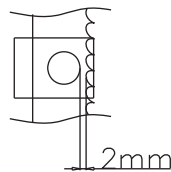
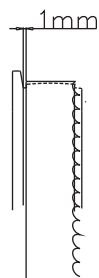
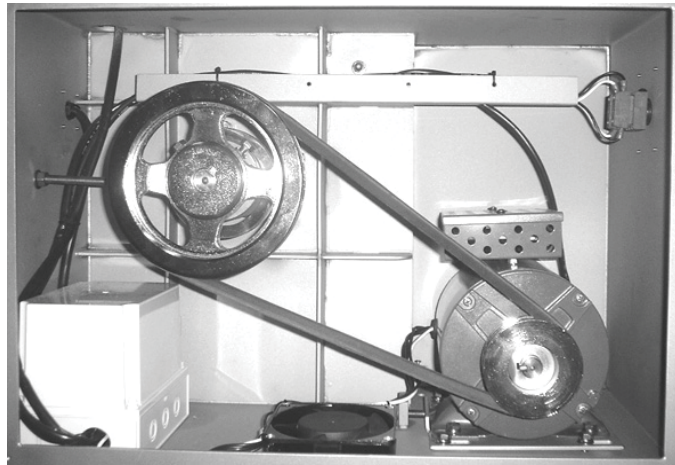
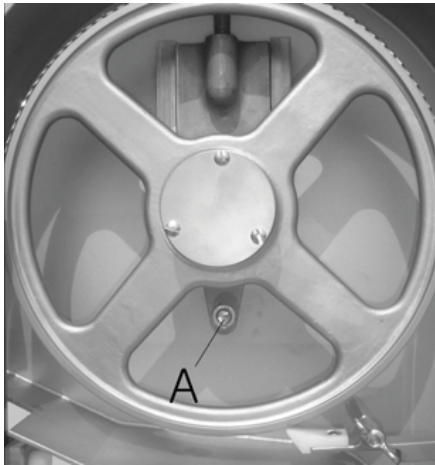
MOTOR WIRING

1. Interchange of current is made in motor outlet box. Changing instructions are on motor plate or motor outlet box.
2. All Meat Saw are wired 120 volts unless otherwise specified. Be sure motor specifications (voltage, cycle, phase) match power supply line. Be sure line voltage is up to specification.
3. Connect leads to machine in a manner that will be approve by local electrical inspectors.
4. We recommend not less than No. 12 wire, otherwise an overload condition may occur.
5. The V-Belt is packed loose in machine to prevent deformation, and must be installed of pulleys at time of wiring motor.
6. The GERMANY KNIFE CORP is not responsible for permanent wiring. connection or installations.

ADJUSTMENTS

All adjustments have been made prior to shipping from factory.

1. Always pull out the plug from Outlet before following the procedure for adjustment.
2. Adjustment of saw blade : Hang saw blade on the upper and lower wheel.
 - (1) Turn the handle of the upper part of the machine clockwise to adjust tension.
-GBS-230A : Turn until the sound with a bang occurs twice to three times.
 - (2) Adjust part A while rotating it little by little in order to accurately position Saw Blade.
Saw Blade is suitable to use when its distance between the back of the wheel side and the end of the back of Saw Blade is 1mm, and the distance between the Saw Guide and the back of the Saw Blade is 2mm.
3. Adjustment on V-Belt Tension
Appropriate tension should be maintained on V-Belt for smooth operation of the wheel.



START

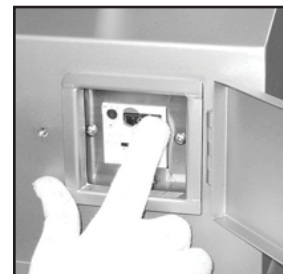
This machine has a magnetic safety switch installed to prevent running with the door open to break the electrical connection.

- Close the door and latch top and bottom. Insert electrical plug into outlet.
- Press the green "ON" button.
- Use the red "STOP" button (Located below the start button) when finished.



WHEN THE MACHINE'S OPERATION IS BLOCKED DUE TO OVERLOAD

The motor has an overload switch in the control box located under the motor cover which can cause the motor not to start. This can be reset in the event of a motor overload condition.



WARNING

- Make sure the area around the saw blade is clear before starting.
- Insure blade is properly positioned in the guides and on the upper and lower wheels.

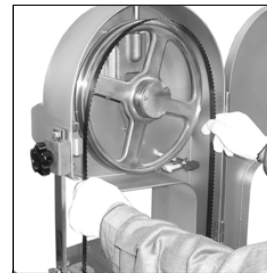
CLEANING

Clean the machine often and thoroughly at least once a day :

- Remove the saw blade, upper wheel door and rolling table from the machine.
- Clean the machine with a soft brush or cloth and water. Avoid water contact with electrical parts and motor area.
- Replace all remove parts when finished.
- There is a scrap box below the lower wheel. Empty when it is 2/3 full and keep it clean.

WARNING

There are electrical parts under the motor cover. Avoid directing water on or around the motor cover. This can result in a short circuit and/or electrical damage of the machine.



CHANGING SAW BLADE

Be careful, Saw blade is SHARP!

- Push rolling meat carriage all the way back.
- Release the saw blade by rotating handle on the top of the machine counterclockwise.
- Remove the saw blade with care and install the new blade on the upper and lower wheels.

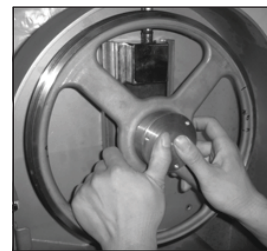
Note : The teeth on the bone blades should point down in the cutting section. If they don't point down, flip the blade inside out to correct.

- Position the saw blade in the middle of the guides and insure the teeth of the blade is on the front side of each wheel.
- Tighten the blade by rotating the top handle clockwise. DO NOT OVER TIGHTEN Insure the blade is tracking properly by turning the top wheel by hand slowly. Be careful that your fingers are clear of moving parts!

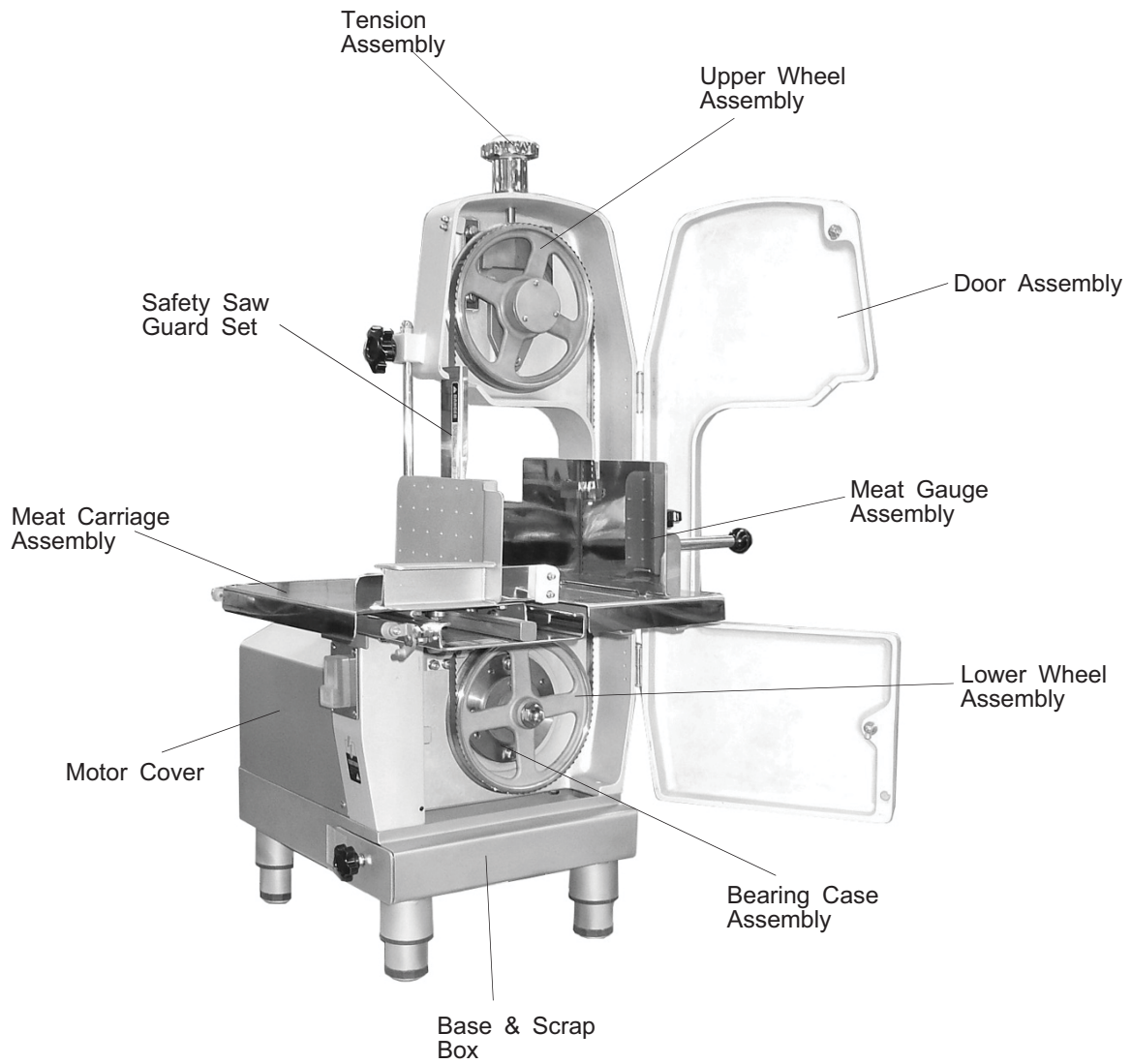
Note : Over tightening the blade can cause premature failure. Improper blade tension can cause the blade to come off the wheels during operation.

WARNING

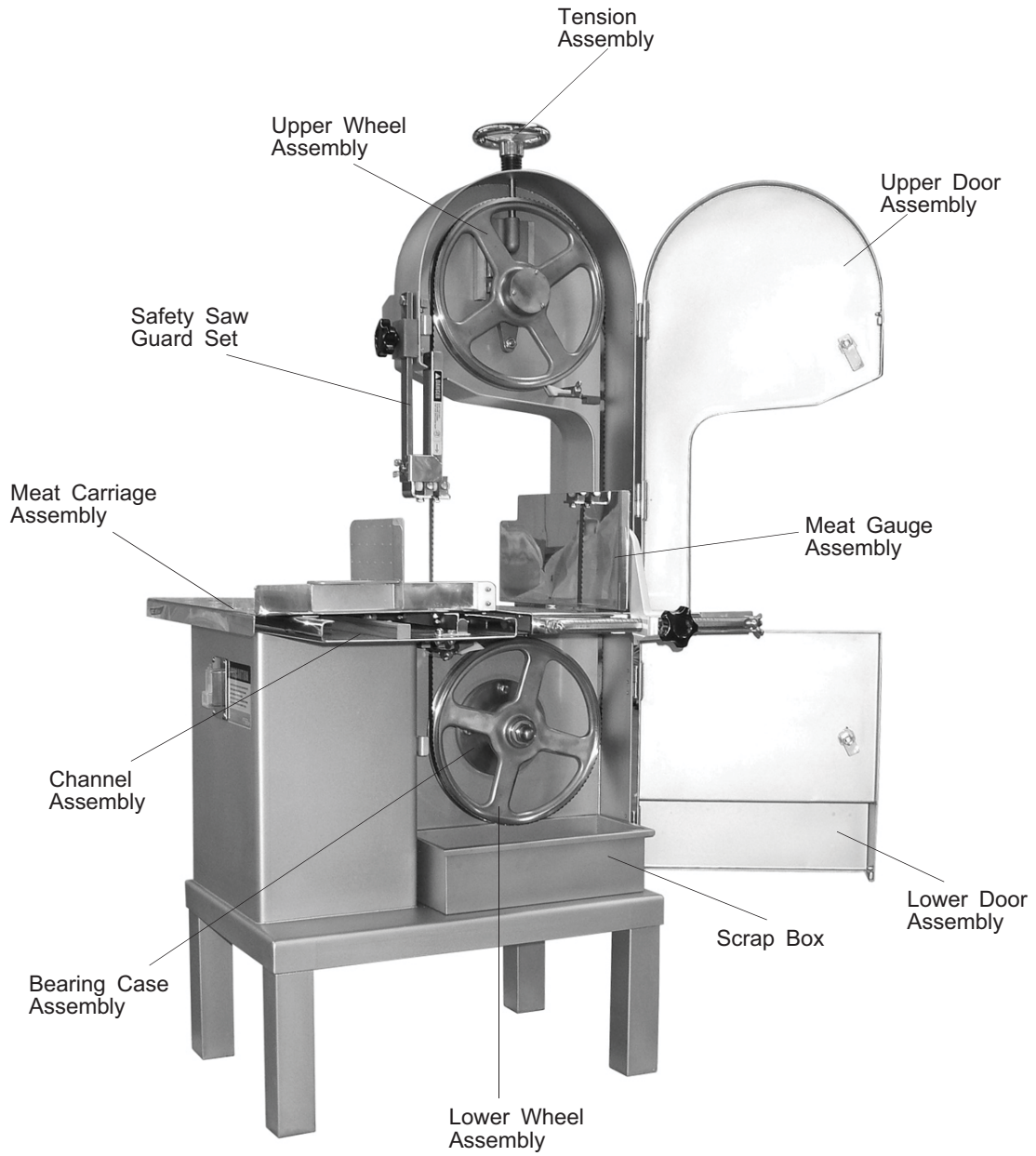
There are electrical parts under the motor cover. Avoid directing water on or around the motor cover. This can result in a short circuit and/or electrical damage of the machine.



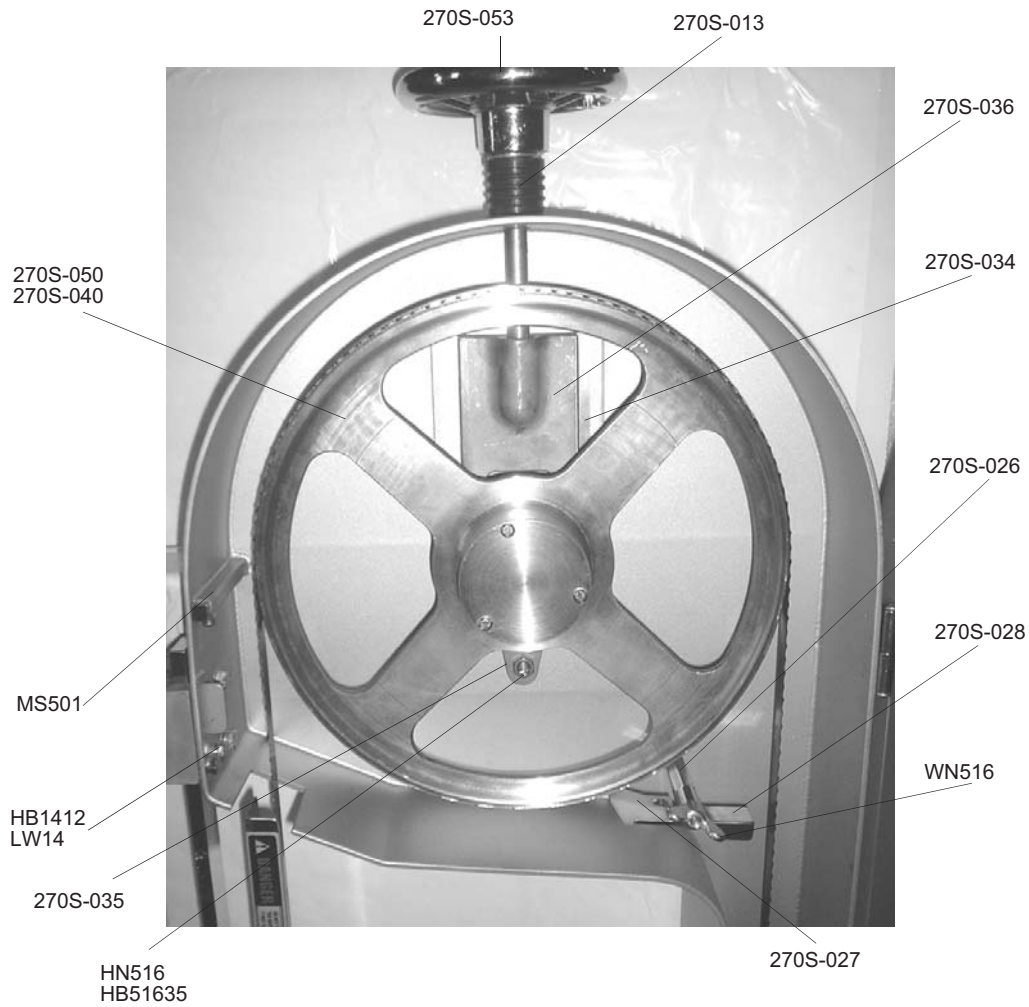
GBS-230A



GBS-270S

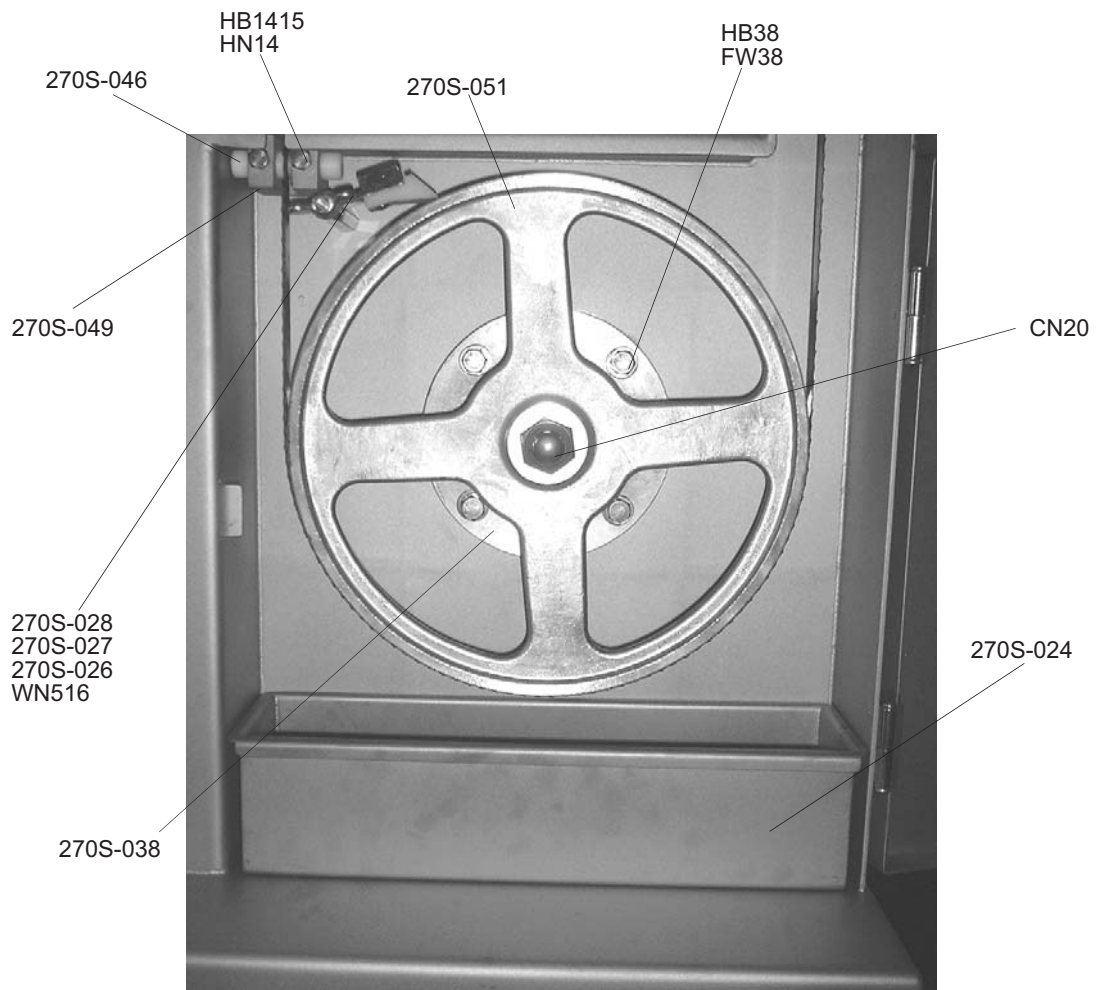


UPPER SAW WHEEL PARTS



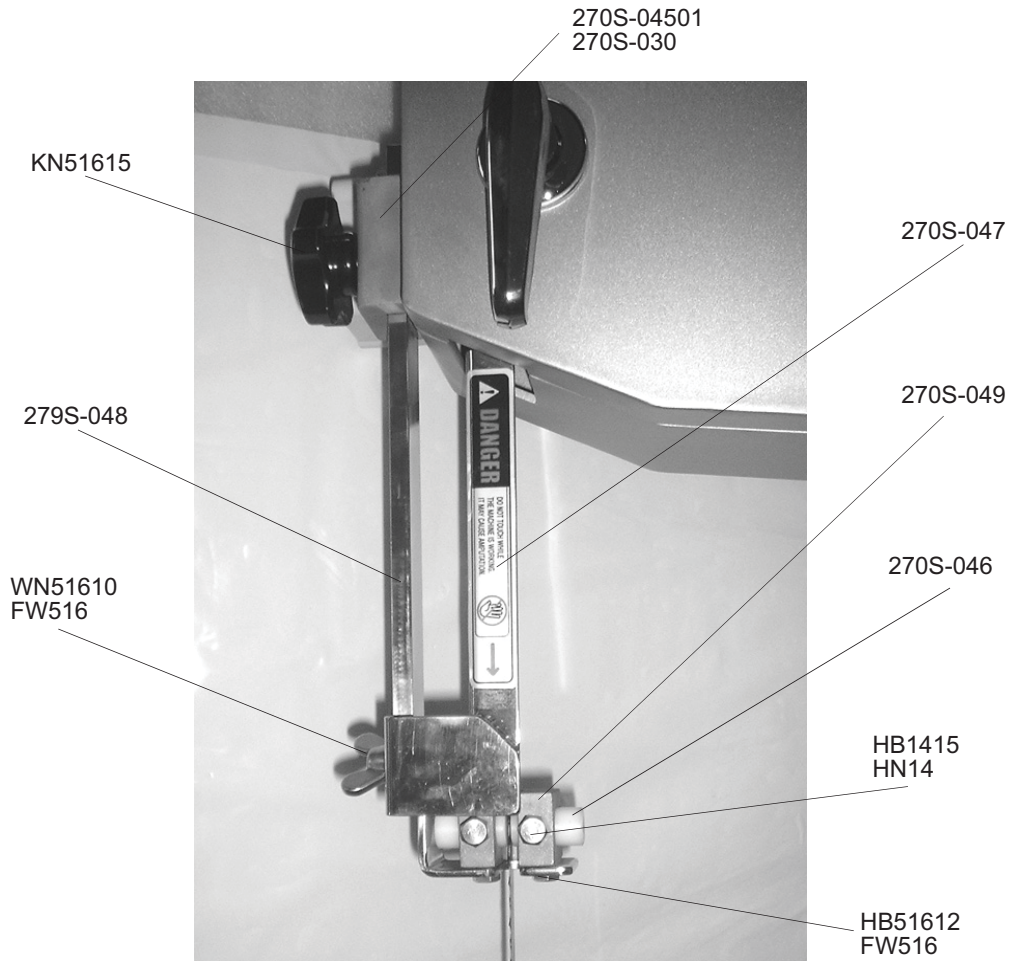
ITEM NO	DESCRIPTION	ITEM NO	DESCRIPTION
270S-050	Upper Saw Wheel Assy	270S-028	Upper Wheel Cleaner Bracket
270S-040	Bearing Cover	270S-035	Upper Wheel Hinge
270S-053	Tension Handle	270S-013	Tension Spring
270S-036	Upper Wheel Hinge Plate	270S-034	Upper Wheel Slide Gib
270S-027	Wheel Cleaner	270S-026	Wheel Cleaner Pin
HB51635	STS Hex Bolt W5/16 x 35	HB1412	STS Hex Bolt W1/4 x 12
HN516	STS Hex Nut 5/16	LW14	STS Lock Washer 1/4
MS501	Reed Sensor MS-501	WN516	STS Wing Nut 5/16

LOWER SAW WHEEL PARTS



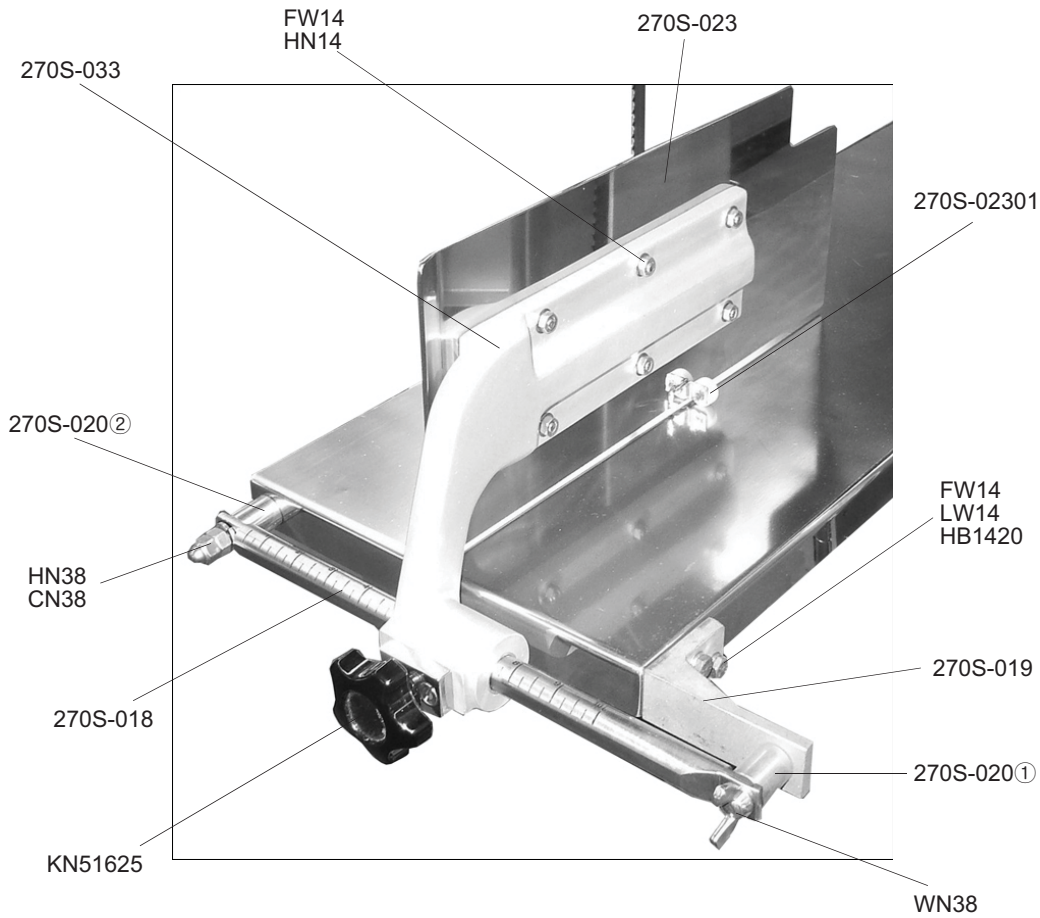
ITEM	DESCRIPTION	ITEM	DESCRIPTION
270S-051	Lower Saw Wheel	270S-024	Scrap Box
270S-049	Saw Guide Bracket	270S-046	Saw Guide
270S-026	Wheel Cleaner Pin	270S-027	Wheel Cleaner
270S-028	Wheel Cleaner Bracket	270S-038	Bearing Case Assembly
WN516	Wing Nut 5/16	HB1415	Hex Bolt W1/4 x 15
HN14	Hex Nut 1/4	HB3835	Hex Bolt W3/8 x 35
FW38	Flat Washer 1/4	CN20	Cap Nut M20

SAW GUIDE PARTS



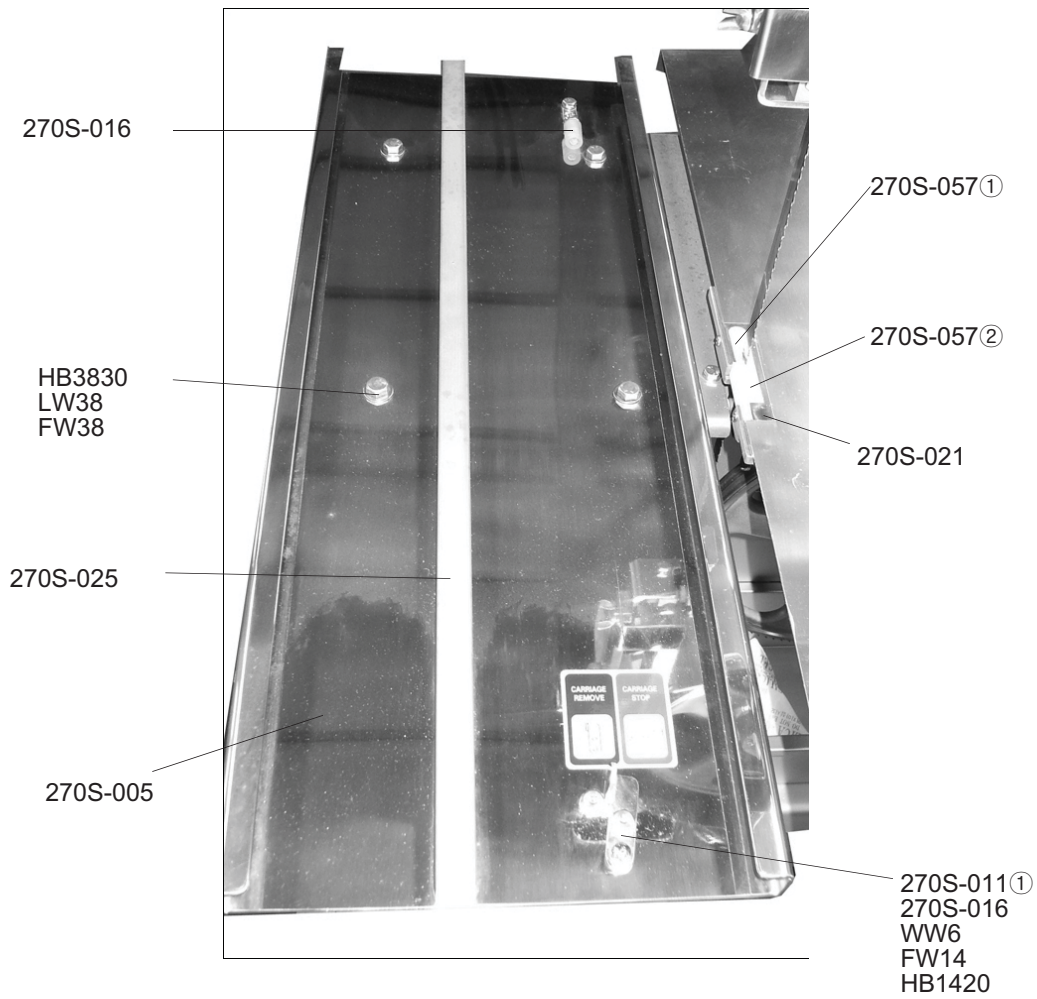
ITEM	DESCRIPTION	ITEM	DESCRIPTION
270S-04501	Saw Guide Bar Gib	270S-030	Saw Guide Bar Spacer
270S-047	Safety Saw Guard	270S-049	Saw Guide Bracket
270S-046	Saw Guide	270S-048	Saw Guide Bar
KN51615	Knob 5Point W5/16 x 15	HB1415	Hex Bolt W1/4 x 15
HB51612	Hex Bolt W5/16 x 12	HN14	Hex Nut W1/4
FW516	Flat Washer 5/16	WB51610	Wing Bolt W5/16 x 10

MEAT GAUGE PARTS



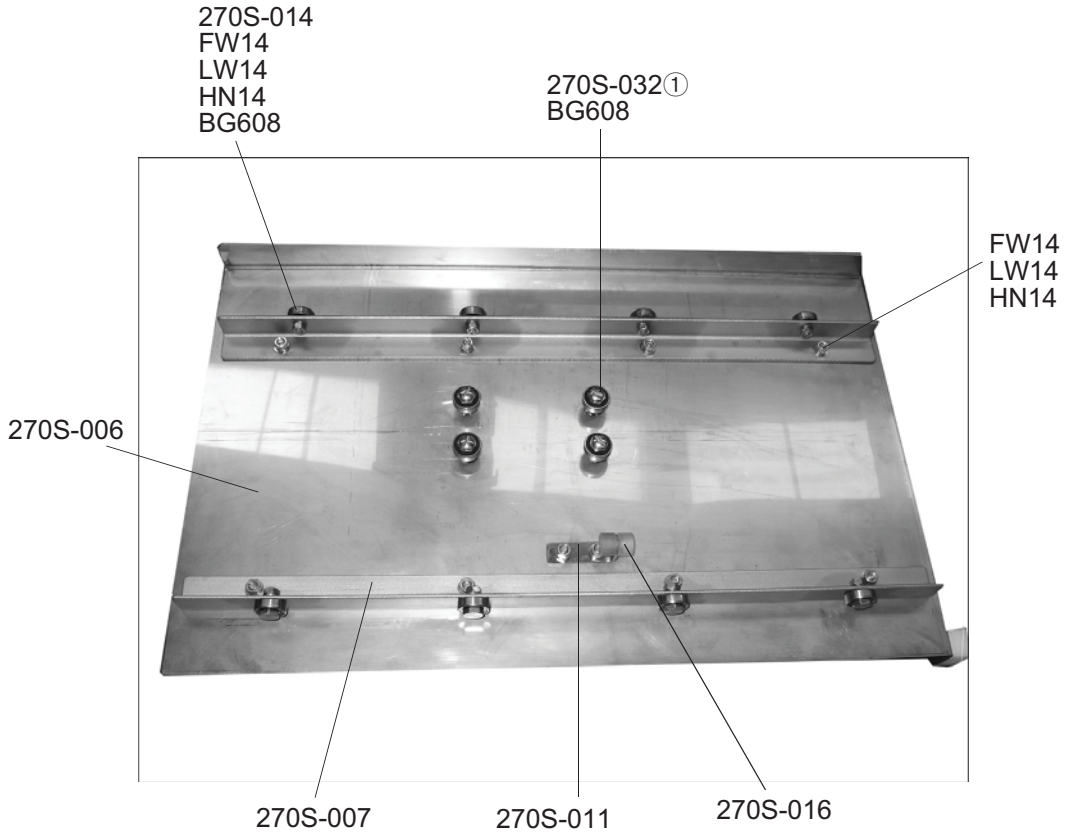
ITEM	DESCRIPTION	ITEM	DESCRIPTION
270S-033	Meat Gauge Arm	270S-023	Meat Gauge Plate
270S-02301	Meat Gauge Rollor	270S-019	Meat Gauge Bracket
270S-020①	Meat Gauge Fixed Bar①	270S-020②	Meat Gauge Fixed Bar②
270S-018	Meat Gauge Bar	FW14	Flat Washer 1/4
HN14	Hex Nut 1/4	LW14	Lock Washer 1/4
HB1420	Hex Nut 1/4 x 20	WN38	Wing Nut 1/4
KN51625	Knob 5Point 1/4 x 25	HN38	Hex Nut 3/8
CN38	Cap Nut 3/8		

CHANNEL PARTS



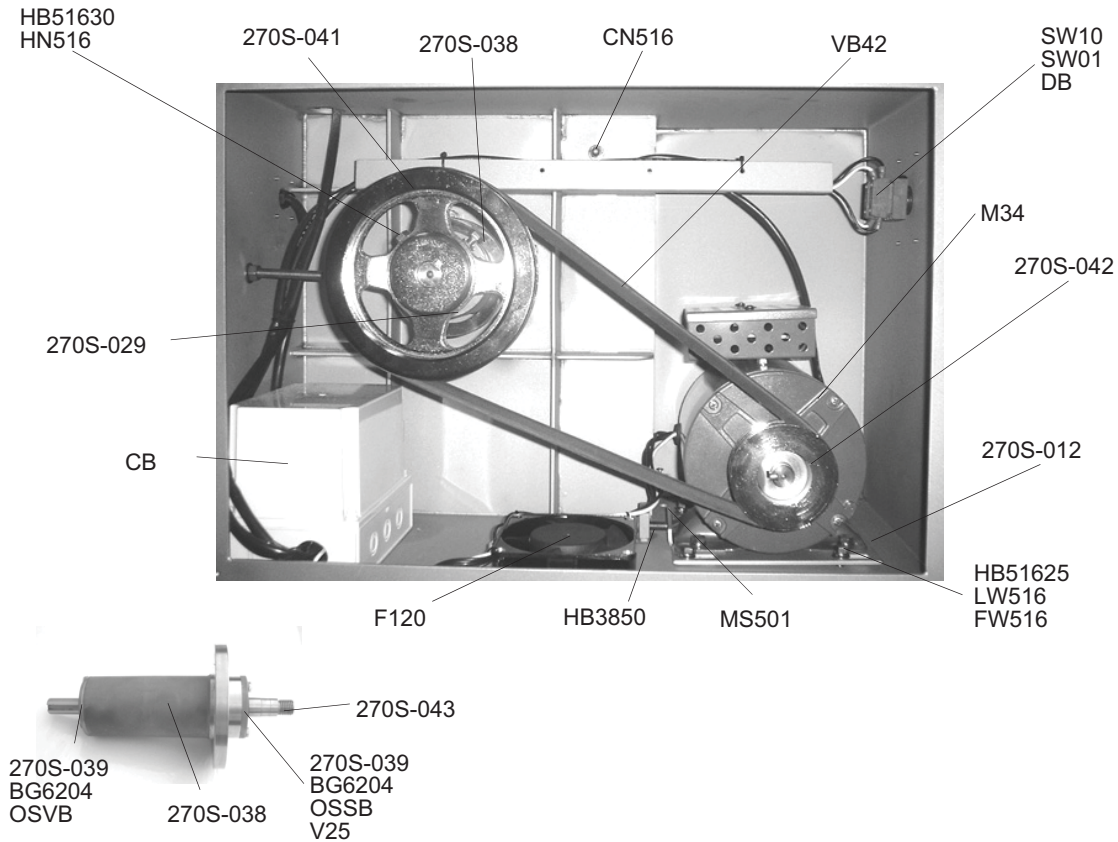
ITEM	DESCRIPTION	ITEM	DESCRIPTION
270S-016	Stopper	270S-057①	Table Saw Guide Rear
270S-057②	Table Saw Guide Front	270S-021	Table Saw Guide Bracket
270S-025	Carriage Guide Rail	270S-005	Channel
270S-011①	Stop Bracket	HB3830	Hex Bolt 3/8 x 30
LW38	Lock Washer 3/8	FW38	Flat Washer 3/8
WW6	Wave Washer Φ6	FW14	Flat Washer 1/4
HB1420	Hex Bolt 1/4 x 20		

MEAT CARRIAGE PARTS



ITEM	DESCRIPTION	ITEM	DESCRIPTION
270S-014	Rollor Bearing Pin	270S-032 ①	Guide Bearing Pin
270S-006	Meat Carriage	270S-007	Meat Carriage Guide
270S-011	Stop Bracket	270S-016	Stopper
FW14	Flat Washer 1/4	LW14	Lock Washer 1/4
HN14	Hex Nut 1/4	BG608	Bearing #608DD

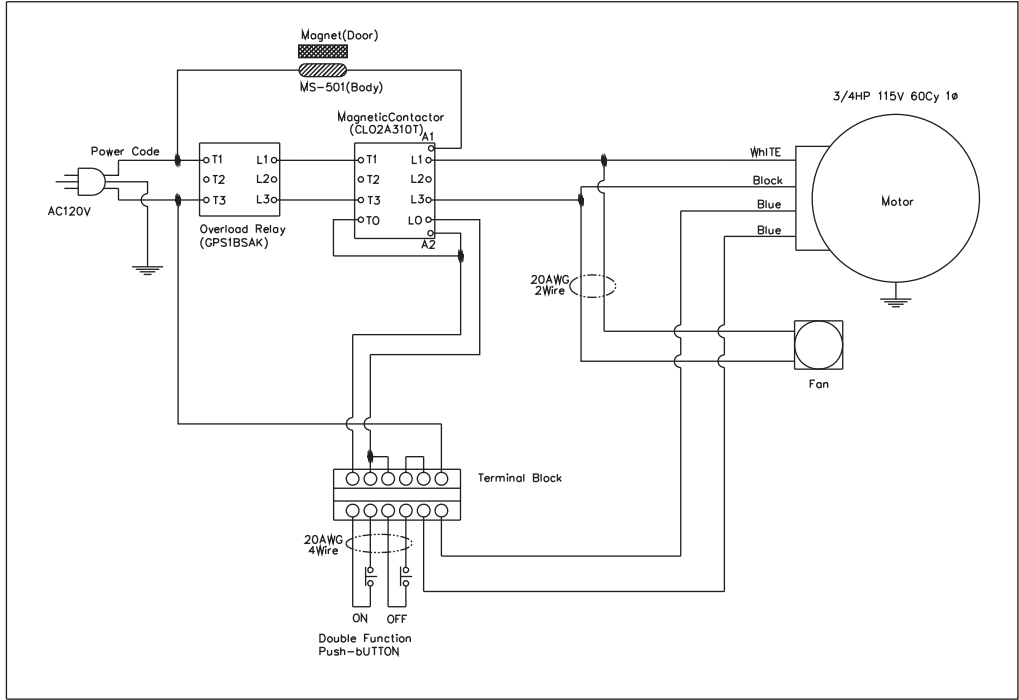
DRIVE PARTS



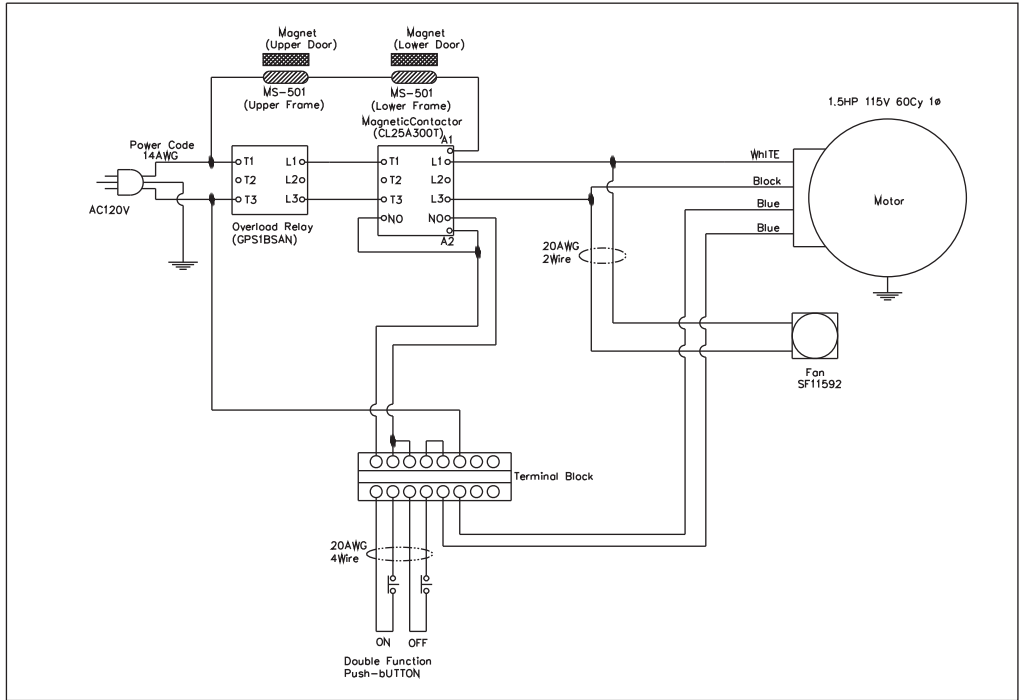
ITEM	DESCRIPTION	ITEM	DESCRIPTION
270S-041	Bearing Case Pulley	270S-038	Bearing Case
270S-042	Motor Pulley	270S-012	Motor Base
270S-029	Bearing Case Support	270S-043	Bearing Case Shaft
270S-039	Bearing Case Cover	CN516	Cap Nut 5/16
VB42	V-Belt B-42	SW10	Open Block
DB	Double Function Switch	SW01	Close Block
M34	Motor-120V 1ph 3/4 HP	HB51625	Hex Bolt 5/16 x 25
LW516	Lock Washer 5/16	FW516	Flat Washer 5/16
MS501	Reed Sensor MS-501	HB3850	Hex Bolt W3/8 x 50
F120	Cooling Fan Φ 120 x 120 x 38	CB	Control Box
BG6204	Bearing #6204ZZ	OSSB	Oil Seal SB40 25 8
OSVB	Oil Seal VB40 25 6	VB25	V-Ring V-25

ELECTRONIC CIRCUIT

MODEL : GBS-230A



MODEL : GBS-270S



TROUBLESHOOTING

SYMPTOM	POSSIBLE CAUSE	POSSIBLE SOLUTION
Meat Saw does not start.	<ol style="list-style-type: none"> 1. Electrical cord is unplugged. 2. Door is open. 3. Motor overload has tripped. 	<ol style="list-style-type: none"> 1. Plug in electrical code. 2. Close door. 3. Reset motor overload.
Saw blade is breaking.	<ol style="list-style-type: none"> 1. Over tightening of blade. 2. Blade is defective. 3. Blade is installed incorrectly. 	<ol style="list-style-type: none"> 1. Do not over tighten blade. 2. Replace blade. 3. Insure blade is turning freely and is inside the guide.
Saw blade is coming off.	<ol style="list-style-type: none"> 1. Tension of blade is too loose. 2. There is excessive grease or dust on the blade or wheels. 	<ol style="list-style-type: none"> 1. Keep blade at proper tension. 2. Clean wheels and blade or replace blade.

LIMITED WARRANTY

WARRANTY CLAIM:

German Knife / Radiance warrants that the equipment, as supplied from the factory to the end-user, is free from defects in materials and workmanship. Should any part be found defective resulting from normal use within the defined warranty period, German Knife / Radiance will gladly dispatch an authorized service agency to repair and/or replace necessary parts under the following conditions.

Repairs under this warranty are to be performed by a German Knife / Radiance authorized service agency only. German Knife / Radiance will not be responsible for service parts and labor charges performed by non-authorized service companies. All claims should include the model number, serial number, proof of purchase, date of installation, and all pertinent information supporting the alleged defect.

PRODUCTS UNDER WARRANTY:

One Year Warranty:

- Radiance Medium Duty Microwaves- ER/MR series (TMW-1100ER, TMW-1100MR)
- Radiance Ranges & Countertop cooking series
(All TAR-, TARG-, TAHP-, TARB-, TAMG-, TATG-, TASP-, TAWR-)
- Radiance Cheesemelters, Salamanders, Steam Tables, Hand Wrappers, and Food Warmers
(All TACM-, TASM-, RST-, RHW-, RFW-)
- German Knife Light Duty Slicer- LD series (GS-10LD, GS-12LD)

Two Year Warranty:

- German Knife Heavy Duty Meat Slicer- Automatic & Manual (GS-12A, GS-12M, GS-13A, GS-13M)
- German Knife Meat Grinder (All GG-)
- German Knife Band Saw (All GBS-)

Three Year Warranty:

- Radiance Heavy Duty Microwaves- HD Series (TMW-1200HD, TMW-1800HD)

Any part covered under this warranty that is found by German Knife / Radiance to have been defective within the above time period is limited to the repair or replacement, including labor charges, of defective parts or assemblies. The labor charges shall include standard straight time labor charges only and reasonable travel time as determined by German Knife / Radiance.

WHAT IS NOT COVERED BY THIS WARRANTY:

German Knife / Radiance's sole obligation under this warranty is limited to either repair or replacement of parts, subject to the additional limitations below. This warranty neither assumes nor authorizes any person to assume obligations other than those expressly covered by this warranty.

- Equipment failure resulting from improper installation will not be honored under warranty. Examples are wrong utility connection and improper utility supply problems.
- Equipment that has not been maintained accordingly. Examples are calibration of controls, adjustment to pilots and burners, and damage from improper cleaning.
- Equipment that has not been used in an appropriate manner, alteration, neglect, abuse, misuse, accident, damage during transit or installation, fire, food, acts of God.
- Warranty is not transferrable and only applies in favor of the original purchaser.
- Equipment failure resulting from electrical power failure, use of extension cords, low voltage, and voltage drops to the unit.

These warranties are exclusive and in lieu of all other warranties, including implied warranty and merchantability or fitness for a particular purpose. No consequential damages. German Knife / Radiance is not responsible for economic loss, profit loss or special, indirect, or consequential damages. There are no warranties which extend beyond the description on the face hereof.

Outside the U.S., this warranty does not apply to, and German Knife / Radiance is not responsible for, any warranty claims made on products sold or used outside the continent of the United States.