



INSTALLATION, OPERATING and SERVICE MANUAL

**STATUS EPA, CLASSIC I EPA, CLASSIC II EPA WOODSTOVE
MODELS NS220E, NC100E & NCM120E**

THE INSTALLATION OF THE UNIT SHALL BE IN ACCORDANCE WITH THE
REGULATIONS OF THE AUTHORITIES HAVING JURISDICTION.

HEAD OFFICE
MARKETING / PRODUCTION
Newmac Mfg. Inc.

DEBERT AIR INDUSTRIAL PARK,
208 LANCASTER CRESCENT
P.O. BOX 9, DEBERT
NOVA SCOTIA, BOM 1G0
PHONE: 902-662-3840
FAX: 902-662-2581

WAREHOUSE
Newmac Mfg. Inc.

430 SPRINGBANK AVE., SOUTH
WOODSTOCK, ONTARIO
N4V 1B2
PHONE: 519-539-6147
FAX: 519-539-0048



EMAIL: newmac@newmacfurnaces.com
HOMEPAGE: newmacfurnaces.com

**NOTICE TO HOMEOWNER:
READ AND SAVE THESE INSTRUCTIONS**
2210243 FEBRUARY 2012



The Newmac NS220E (Status EPA), NC100E (Classic I EPA) and NCM120E (Classic II EPA) are listed for USA and Canada under Solid-Fuel Space/Room Heater Standards UL1482, Underwriter's Laboratories, and ULC S627, Underwriter's Laboratories of Canada, by the Canadian Standards Association, a Nationally Recognized Testing Laboratory (NRTL/C).

INSTALLATION REQUIREMENTS

The installation must comply with the requirements of the regulatory authority in your area. In the United States, the installation must conform to the National Fire Protection Association Standard NFPA 211, Standard for Chimneys, Fireplaces, Vents, and Solid Fuel Burning Appliances and Codes. In Canada, the installation must conform to CAN/CSA-B365 Installation Code for Solid-Fuel-Burning appliances. Also in the United States, install in accordance with such codes as the BOCA National Mechanical Code, the Standard Mechanical Code, and the Uniform Mechanical Code.

Information that is provided on the appliance certification label takes precedence over that presented here.

When this heater is not properly installed, a house fire may result. To reduce the risk of fire, follow the installation instructions. Contact your local building or fire officials about inspection requirements in your area.

WARNINGS

- DO NOT CONNECT THIS UNIT TO A CHIMNEY FLUE SERVING ANOTHER APPLIANCE.
- DO NOT INSTALL MODEL NS220E (NEWMAC STATUS EPA) IN A MOBILE HOME.
- DO NOT CONNECT HEATER TO ANY AIR DISTRIBUTION DUCT OR SYSTEM
- DO NOT BURN GARBAGE OR FLAMMABLE FLUIDS SUCH AS GASOLINE, NAPHTHA OR ENGINE OIL.
- HOT WHILE IN OPERATION, KEEP CHILDREN, CLOTHING AND FURNITURE AWAY. CONTACT MAY CAUSE SKIN BURNS.

Please read this entire manual before you install and use your new room heater. Failure to follow instructions may result in property damage, bodily injury, or even death.

CHIMNEY

This room heater requires at least a 6" diameter chimney flue and must be connected to either:

1. a chimney complying with the requirements for Type HT chimneys in the Standard for Chimneys, Factory-Built, Residential Type and Building Heating Appliance UL103 HT(USA) such as GSW type JSC, or CAN/ULC S629, 650°C Factory Built Chimneys (Canada), such as GSW type JM or
2. a code-approved masonry chimney with an approved flue liner.

INSTALLING HEATER

Newmac recommends that the room heater be professionally installed.

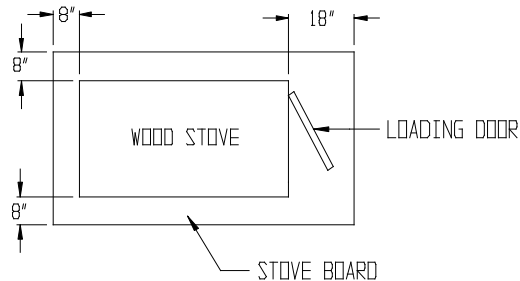
1. If a factory built chimney is required, install a suitable chimney listed for solid fuel according to chimney manufacturer's requirements.
2. If a masonry chimney is to be used check with your local regulatory authority that it is suitable for solid fuel operation.
3. Ensure that all other openings into the chimney flue are sealed shut and that the heater will be the only appliance connected to the chimney flue.
4. Select location for heater close to chimney location and allowing for clearances to combustible materials. Install additional protection for combustible materials if clearances are reduced – see REDUCED CLEARANCES.
5. If the chimney connector must pass through a wall or partition of combustible construction, the installation must conform to the requirements of NFPA211 (USA) or CAN/CSA B365 (Canada). Note that the chimney connector must NOT pass through a ceiling or a roof space.
6. Place heater on a listed non combustible and non-heat conducting stove-board or durable pad, equivalent to asbestos mill-board of at least 3/8" (10mm) thickness, according to the requirements of NFPA 211 (USA), CAN/CSA B365 (Canada) and the requirements of the regulatory authority.
7. Using 6" (150mm) diameter mild steel (not galvanized) connector pipe and fittings suitable for solid fuel, connect the breech outlet of the room heater to the chimney. Secure each chimney connector joint with three sheet metal screws and connections to the appliance with a minimum of 2 sheet metal screws. For better performance, seal each connector pipe joint with a small amount of furnace cement. When laying out the connector pipe plan for a method of dismantling the assembly for inspection and cleaning of the connector pipes and the chimney flue.
8. Ensure that the room heater and the connector pipe locations conform to the required clearance to combustibles.
9. Ensure that a source of fresh outside air for combustion is available to the room heater. This is important as replacement air for the gases, which the heater will be exhausting up the chimney.

BEFORE FIRING HEATER

Please note that some parts are shipped inside the appliance. Remove and assemble as required. If necessary, slide the firebricks back to the rear so that no gaps remain between them.

CLEARANCES TO COMBUSTIBLES – FLOOR PROTECTION

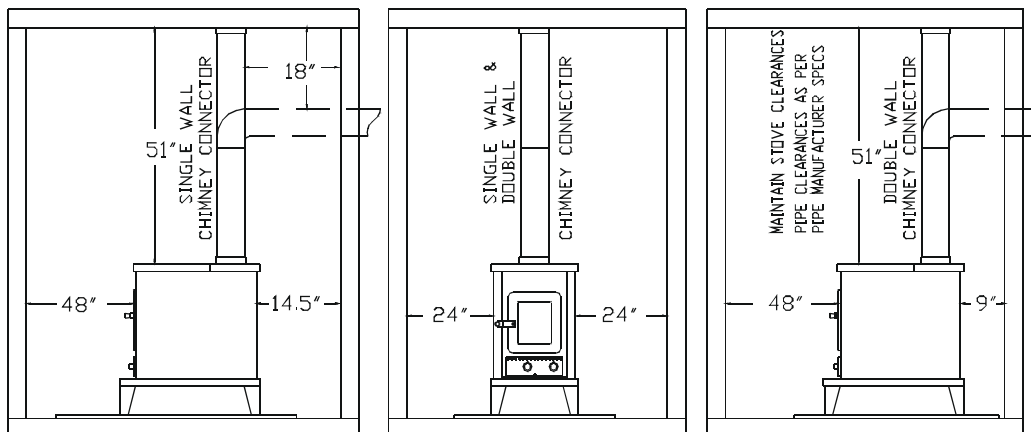
Refer to the certification label on the appliance and the following diagrams for the appropriate model being installed.



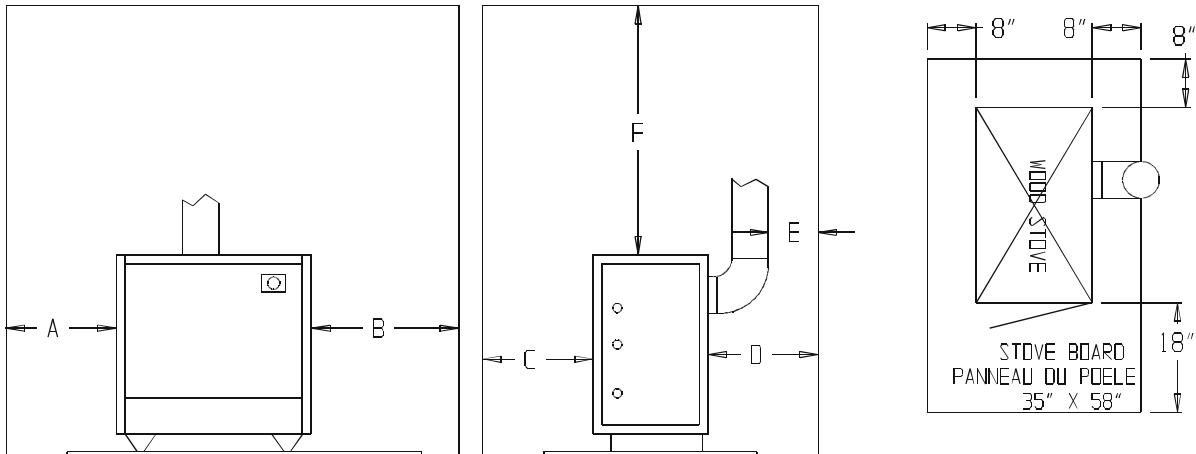
WARNING: Install on durable non-combustible and non-heat conducting pad, equivalent to asbestos mill-board of at least 3/8" (10 mm) minimum thickness, which extends at least 8" (205 mm) from the unit on all sides, and 18" (455 mm) from the firedoor end. Alternatively install in accordance with provisions of NFPA 211 (USA) or CAN/CSA-B365 (Canada). Do not obstruct the space beneath the stove.

WARNING: Maintain minimum specified clearances to combustible materials. Do not place fuel (wood) within specified clearances or within space required for charging and/or ash removal.

CLEARANCE TO COMBUSTIBLES, WALLS AND CEILING - NS220E Newmac Status EPA

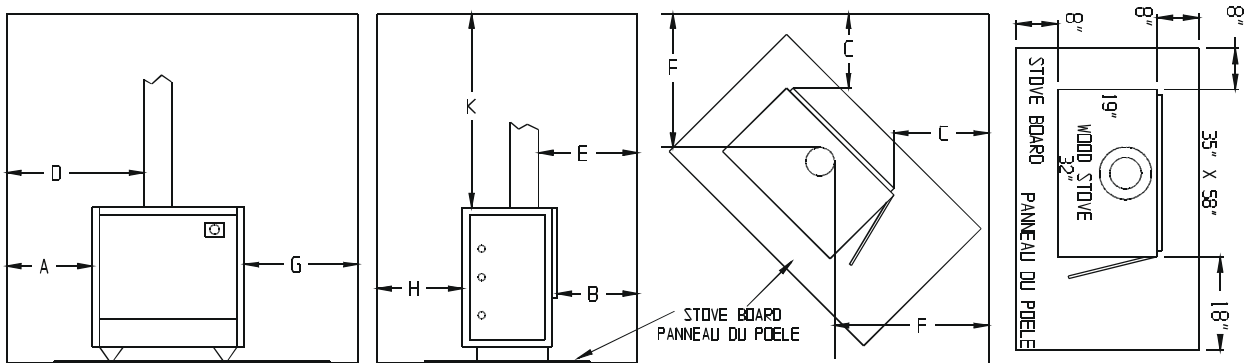


CLEARANCE TO COMBUSTIBLES, WALLS AND CEILING – NC100E Newmac Classic I EPA



Chimney Connector Type, <i>genre de raccord de cheminée</i>		Single Wall <i>paroi simple</i>		Approved for clearance of 9" or less <i>Approuvé pour espacement de 9 po (225mm) ou moins</i>	
A	18" (455mm)			10" (254mm)	
B	36" (915mm)			36" (915mm)	
C	48" (1220mm)			48" (1220mm)	
D	Min. 21" (533mm)			Min. 21" (525mm)	
E	18" (455mm)			9" (225mm)	
F	51" (1295mm)			51" (1295mm)	

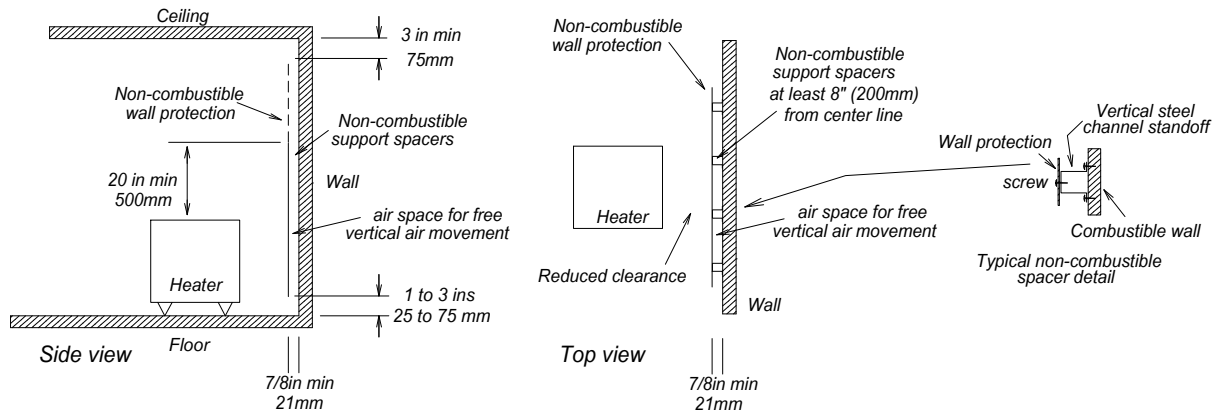
CLEARANCE TO COMBUSTIBLES, WALLS AND CEILING – NCM120E Newmac Classic II EPA



Chimney Connector Type, <i>genre de raccord de cheminée</i>		Single Wall <i>paroi simple</i>		Approved for clearance of 9" or less <i>Approuvé pour espacement de 9 po (225mm) ou moins</i>	
A	10" (254mm)			10" (254mm)	
B	14" (355mm)			8" (203mm)	
C	12" (305mm)			-	
D	23" (785mm)			21" (482mm)	
E	18" (455mm)			10" (254mm)	
F	25" (635mm)			-	
G	36" (915mm)			36" (915mm)	
H	48" (1220mm)			48" (1220mm)	
K	51" (1295mm)			51" (1295mm)	

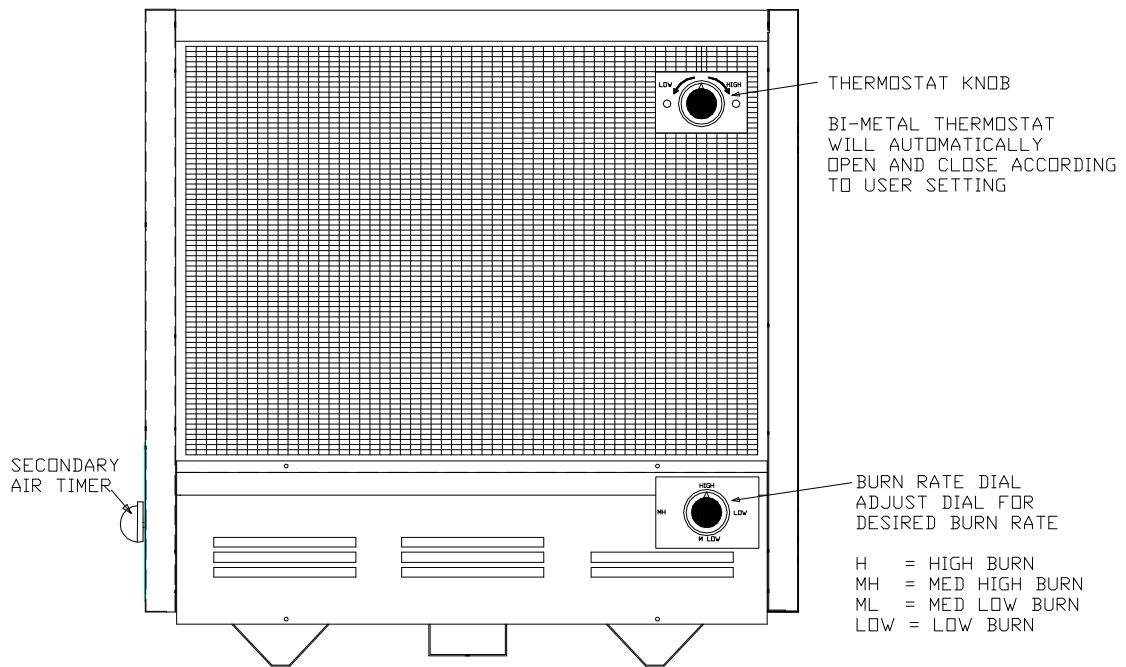
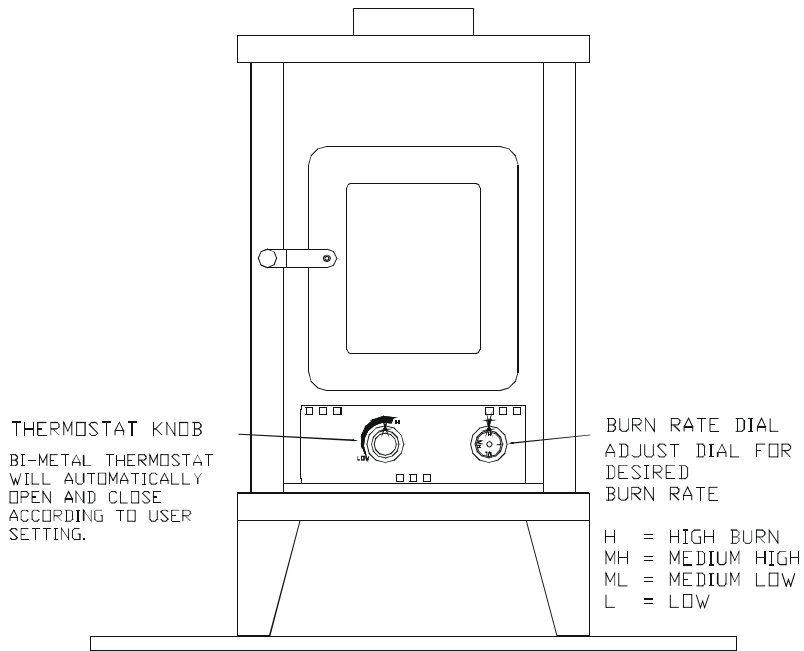
REDUCED CLEARANCES

Approved double-wall chimney connector and/or approved non-combustible protection over combustible surfaces may permit the heater to be installed closer to combustible surfaces than the standard clearances to combustibles. Clearances may only be reduced by means approved by the regulatory authority. To reduce clearances to combustible materials, specified forms of wall protection must be installed. For acceptable methods and parts to be used, refer to NFPA 211 (USA) or CAN/CSA B365 (Canada). Since municipal bylaws vary it is recommended that you (the installer) check with your local authorities as to approved methods of wall protection for reduced clearances.



TYPICAL SIDE-WALL PROTECTION FOR CLEARANCE REDUCTION OF 50%

THERMOSTAT AND TIMER OPERATING INSTRUCTIONS



RULES FOR SAFE INSTALLATION AND OPERATION

1. Always connect this heater to a residential type chimney and vent to the outside. Never vent to another room or inside a building
2. Read these rules and the instructions carefully.
3. Check your local codes. The installation must comply with their requirements.
4. Do not connect to aluminum Type "B" gas vent. An approved masonry or residential type pre-fabricated chimney for use with solid fuel is required. See CHIMNEYS above. The inside diameter must be at least 150 mm (6").
5. Make sure the chimney top is high enough to give a good draft. Keep the chimney and pipe clean inside to avoid blockage. Otherwise, smoking will result.
6. Examine and clean flue pipe frequently to prevent chimney fires.
7. To prevent injury, do not allow anyone who is unfamiliar with the operation to use the heater.
8. Do not install damper or restrictions of any kind in flue pipe.
9. Burn wood only. Do not use wet or green wood. The wetter or greener the wood, the more creosote will be produced. (See Facts on Creosote). Do not use artificial logs or barbecue charcoal fuel.

CAUTION

Indicates a situation in which injury or damage to your appliance, or both, could result if the caution is ignored.

1. Do not install model NS220E (Newmac Status EPA) in a mobile home or trailer.
2. Do not install room heater in a sleeping room.
3. Do not operate your heater unless it is maintained in a good airtight condition - otherwise overheating will result.
4. Do not operate your heater with the loading door open as excessive temperatures could result.
5. Do not connect to any air distribution duct or system.
6. Do not use chemicals or fluids to start the fire.
7. Do not burn garbage or flammable liquids, such as gasoline, naphtha, engine oil, etc, as these may cause an explosion.
8. Never use gasoline, gasoline-type lantern fuel, kerosene, charcoal lighter fluid, or similar liquids to start or 'freshen up' a fire in this heater. Keep all such liquids well away from the heater while it is in use.
9. Hot while in operation. Keep children, clothing, and furniture away. Contact may cause skin burns, do not touch the heater until it has cooled.
10. Ensure that sufficient combustion air is available for the heater. Inadequate air can result in unsatisfactory operation and smoking. Be sure that sufficient air is provided to exhaust fans on other household devices.
11. Install a smoke detector to warn of possible hazardous situations.
12. Some jurisdictions may require installation of carbon monoxide detectors.

WARNING

Indicates a situation in which serious injury or death could result if the warning is ignored.

1. When this room heater is not properly installed, a house fire may result. To reduce the risk of fire, follow the installation instructions. Contact local building or fire officials about restrictions and installation inspection requirements in your area.
2. Hazardous carbon dioxide or carbon monoxide gas may be produced by improper installation, operation, fuelling or maintenance of this appliance.
3. As required by the installation codes, provide air for combustion from the outside into the room where the heater is located. For model NS220E (Newmac Status EPA) and NC100E (Newmac Classic I EPA), if the intake is not in the same room, the air must have free access to the room.
4. Do not use substitute materials or unspecified components. Suitable original-equipment replacement-parts are available from Newmac Mfg.
5. Do not use abrasive cleaners.
6. Do not clean when hot.

NOTE: The special paint used on your heater may give off some odor while it is curing during the first few fires. Build small fires at first.

CHIMNEY CONNECTOR (STOVE OR FLUE PIPE)

Newmac wood fired heaters require 6" (150mm) diameter mild steel chimney connectors of at least 24ga (0.53mm or 0.0206ins) metal thickness, or equivalent. (Galvanized steel is not acceptable). Secure all chimney connector joints with 3 sheet metal screws and connections to the appliance with a minimum of 2 sheet metal screws. For better performance, seal each connector joint with a small quantity of furnace cement. Ensure that the vent system can be taken apart for periodic inspection and cleaning.

Chimney connector must not pass through an attic or roof space, closet, or similar concealed space or a floor or ceiling. Where passage through a wall or partition of combustible construction is desired, the installation must conform to NFPA 211 (USA) or CAN/CSA B365 (Canada) requirements.

The crimped end of the chimney connector fits inside the heater flue collar. Additional pipe and elbow should be installed with CRIMPED END TOWARD THE HEATER. This will let condensation in the flue to run back into the heater.

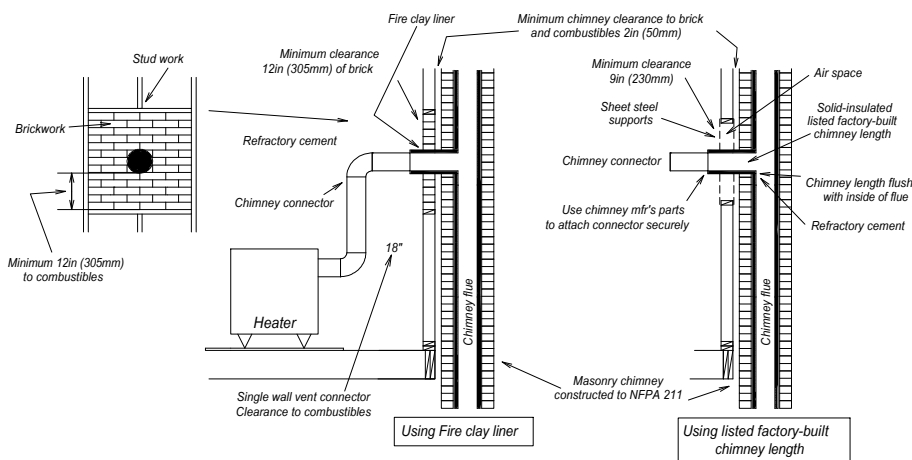
Chimney connectors must be sealed with furnace cement when installed in a mobile home.

REDUCING EXCESSIVE DRAFT

Where permitted by the regulatory authority a hand operated flue pipe key-damper may be installed.

CONNECTION TO A MASONRY CHIMNEY THROUGH A COMBUSTIBLE WALL

The heater may be connected to a masonry chimney, which conforms to the installation code requirements. Various methods of connection are shown in these installation codes. Check with your local regulatory authority as to which methods they will accept. Care must be taken when the chimney connector passes through a combustible wall to ensure that there is sufficient clearance from the chimney connector to the combustible wall material.

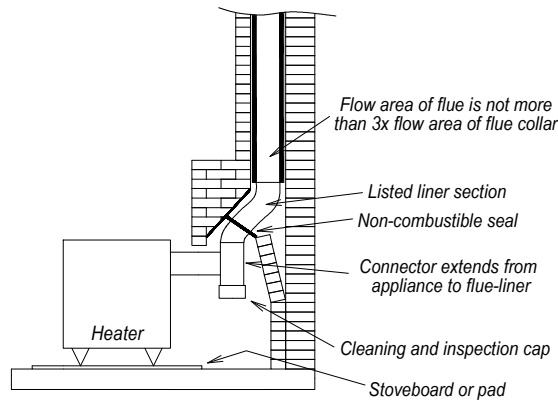


TYPICAL CONNECTION TO A MASONRY CHIMNEY THROUGH A COMBUSTIBLE WALL

CONNECTION THROUGH A MASONRY FIREPLACE

A wood-fired space heater may be connected to a masonry fireplace if:

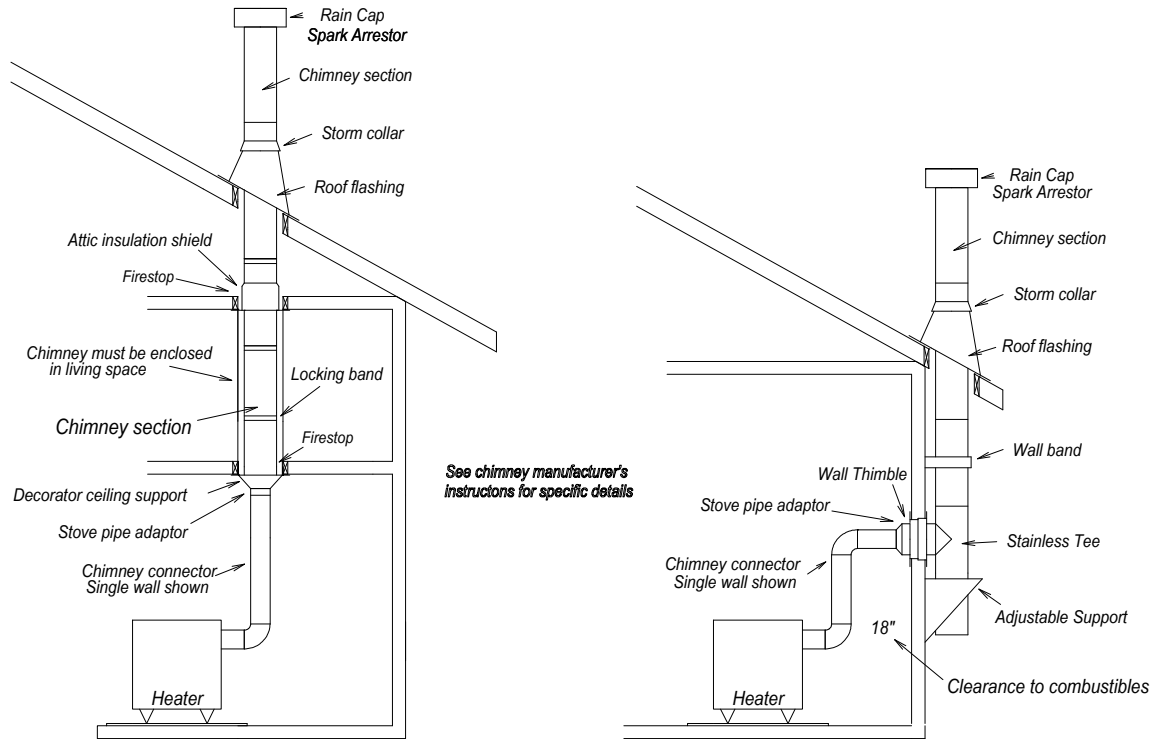
1. There is a connector that extends from the heater to the flue liner of the fireplace.
2. The cross-sectional area of the flue is no more than three times the cross-sectional area of the flue collar of the room heater.
3. There is a non-combustible seal below the point of entry of the connector.
4. The installation conforms to the requirements of your local codes (NFPA211 - USA), (B365 – Canada) Check with your local regulatory authority as to which methods they will accept.



TYPICAL FIREPLACE CONNECTION

CONNECTION TO A FACTORY BUILT CHIMNEY

The room heater may be connected to a listed factory–built chimney which complies with the requirements of UL 103HT (USA) or CAN/ULC S629 (Canada). Check with your local regulatory authority for specific requirements. Follow the chimney manufacturer’s instructions when installing a factory-built chimney.

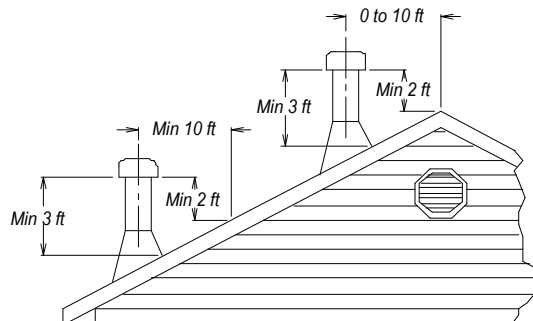


TYPICAL FACTORY BUILT CHIMNEY INSTALLATION

FLUES AND CHIMNEYS – SOME BASIC PRINCIPLES

1. The chimney top should be higher than any other part of the house or any nearby surrounding objects – see installation code.

NOTE: The chimney must be at least 3 feet above the highest point where it passes through the roof of the building and not less than 2 feet above the highest roof surface or structure within 10 feet horizontally. Not more than 8” of chimney cap above the top of the flue may be considered in computing this height.



BASIC RULE FOR CHIMNEY TERMINATION HEIGHTS ABOVE ROOF

2. A straight chimney is best.
3. A chimney should be smooth on the inside.
4. The flue pipe and chimney should be inspected periodically and cleaned if necessary.

5. The smoke flue of a chimney must not be used for ventilation purposes. All openings apart from the one serving the heating appliance must be sealed closed.
6. The chimney connection should be as short as possible with minimum number of elbows.
7. Any horizontal pipe should be pitched upward toward the chimney at least ¼" per foot of horizontal pipe.
8. Be sure that there is at least 18" (450mm) of clearance between horizontal single wall smoke pipe and the ceiling.
9. Do not connect any other appliance to the same flue.
10. Use three sheet metal screws to secure each joint.
11. For better performance, seal each vent pipe joint with a small quantity of furnace cement. Ensure the vent system can be taken apart for periodic inspection.
12. All openings into a chimney must be closed off airtight, except the one in which your smoke pipe enters.
13. The chimney connector should not project into the flue and must fit tightly into the chimney hole.
14. The chimney connector must fit the collar on the stove tightly and should never be reduced in diameter from that point.
15. The chimney connector must not be made smaller where it enters the chimney hole. Enlarge the hole if necessary.
16. The hardest work for a chimney is when the fire is first started, as the air in the flue is damp and the temperature lower than it will be when the fire is well under way.
17. The draft in the chimney is more dependent upon the amount of hot air thrown into it than upon its size.
18. A chimney may be much too large for ordinary house requirements, but there is little danger of its being too high where draft is concerned.
19. The effective area of a chimney is the area at the smallest part. Therefore, see that it is not diminished by obstructions.
20. Smoke and hot air will rise in a spiral column; therefore, a round flue is best, as cold air cannot fall in the corners.
21. Long narrow flues are apt to cause trouble.
22. Chimneys built on the outside of a house must be at least 8" thick to prevent chilling the flue space within.
23. The chimney must be installed in accordance with these instructions and the chimney manufacturer's instructions.

OUTSIDE COMBUSTION AIR

Provision for outside combustion air may be necessary to ensure that the heater does not discharge products of combustion into the house. If in doubt, it is advisable to provide additional air.

For outside combustion air make-up, Newmac recommends that an opening, of 12 sq. inches (78 sq. cm.) free area be provided to the room in which the heater is installed. If the air is ducted from outside, a 4 inch round duct (to a maximum of 50 equivalent feet or 15m) should provide sufficient combustion air. If a duct is used, it should terminate at least 1 foot (0.3m) from the appliance and not be directly connected to it.

Outside combustion air may be required if:

- a) the heater does not draw steadily, experiences smoke roll-out, burns poorly, or back-drafts whether or not there is combustion present;
- b) existing fuel-fired equipment in the house, such as fireplaces or other heating appliances, smell, do not operate properly, suffer smoke rollout when opened, or back-draft whether or not there is combustion present;
- c) any of the above symptoms are alleviated by opening a window slightly on a calm (windless) day;
- d) the house is equipped with a well-sealed vapor barrier and tight fitting windows and/or has any powered devices which exhaust house air;
- e) there is excessive condensation on windows in the winter; or
- f) a ventilation system is installed in the house.

If these or other indications suggest that infiltration air is inadequate, additional combustion air should be provided from the outdoors

Make sure that any code requirements are satisfied when installing combustion air make-up.

DUCTING OUTSIDE COMBUSTION AIR

Indirect method – NS220E (Newmac Status EPA), NC100E (Newmac Classic I EPA), NCM120E(Classic II EPA): outside air may be ducted to a point no closer than 300 mm (12 in) from the heater, to avoid affecting the heater's performance.

Direct connection – NC100E (Newmac Classic I EPA), NCM120E (Newmac Classic II EPA): These heaters are approved for direct connection of outside air as described on page 15,16,17.

POSSIBLE FLUE OR CHIMNEY DEFECTS

From the foregoing basic principles for the regulation of chimney flues, it will be seen that unsatisfactory stove operation may be the result of any of the following possible chimney flue defects:

1. Insufficient height.
2. Surrounding nearby objects throwing air currents down the chimney.
3. Flues enlarged or contracted at some point.
4. Rubbish or soot obstruction in the flue.
5. Air leakage in cracks where mortar has fallen out.
6. Floor support or a pipe passing through or entering the flue.
7. Too abrupt offsets.
8. Other connecting flues
9. Chimney being used for ventilating basement
10. Chimneys too large for stove being used.
11. Flues being long and narrow
12. More than one smoke-pipe connected to the flue.
13. Chimney connector protruding too far into the chimney.

FUEL

Seasoned cordwood will give the most heat. Your heater will burn most any type of cordwood. Seasoned hardwood produces more heat, and will hold a fire longer, leaving a hotter coal bed than seasoned softwood. **Coal should never be used in a heater designed for burning wood.** Never use driftwood that has been in salt water. The salt content will cause corrosion that will destroy the stainless steel in the Class A chimney, the flue connector and the firebox.

Hard wood cut to 20" maximum length, and split 3" to 6" cross section is recommended for best operating efficiency.

CAUTION: Burn untreated cordwood only. Wood containing preservative, metal foils, coal, plastic, garbage, sulfur or oil is environmentally hazardous and will damage the appliance.

LOADING OF FUEL

Do not overfill the firebox above the firebrick. Wood should be 3 to 4" below top of firebrick. A burned-out heat chamber may result. Do not use artificial or wax logs.

Build fire on the floor of the stove. Do not use additional grates or andirons to support the fire as these may create excessive heat.

For the most heat, combustion air must be able to circulate around and through the fire. Do not block the air entrances inside the firebox with ashes. When loading each additional fuel charge, clear the ashes away from the lower primary air orifices behind the bottom of the door opening.

PREPARATION AND STORAGE OF FUEL

Solid fuel should be cut and split prior to the heating season and stored in a well, aired dry place. Do not store fuel within the room heater clearances or within the space required for fuelling or ash removal. Fuel should be kept at least 5ft clear (1.5m) from the heater. The space around the heater should be kept free of litter and wood residue.

TYPES OF COMBUSTION AIR FOR WOOD HEATING

Unlike older airtight box stoves, low emission woodstoves have more than one location and control for supplying combustion air into the firebox. These additional air inlets allow for complete combustion of wood gases and particulates. Thus it is important to understand how these different air supplies work.

PRIMARY AIR starts the fire. Opening or closing this air supply then regulates how fast the stove will burn. Primary air is supplied by the following: a dial with settings for burn rates and a thermostat. Use the Primary Air Control (PAC) dial (on right) to control the burn. Adjust the settings to obtain the desired heat output. Always start a fire with the PAC set on high and leave it on high until the secondary flames continue to burn after the PAC has been adjusted to a lower setting. Reset the PAC to high when reloading.

The thermostat also controls the amount of primary air entering the unit. Set it on "Open" when starting a fire and leave it on "Open" until the stove has been burning long enough to keep the secondary flames burning when it is closed. Set the thermostat on "Open" for 10 to 20 minutes when reloading.

It is very important to keep the secondary flames burning to maximize heat output and minimize air pollution, so some experimentation will be necessary because each installation is different. Wood moisture content will also affect the amount of time that a unit will need to burn on high after each reload.

SECONDARY AIR allows the woodstove to burn clean. This preheated air enters the upper firebox just below the baffle plate. This superheated air mixed with the wood gases and flames ignites, reaching temperatures in the 1100F to 1600F range. Without Secondary Air these volatile gases would exit the stove unburned as creosote, smoke, particulates, and high levels of Carbon Monoxide, greatly decreasing efficiency. Heat comes from burning the wood gases, not the wood, which itself turns into black charcoal after the gases are all released. Secondary air increases a stoves efficiency by approximately 40% greatly reducing the amount of wood required for a heating season (easily up to 1/3 less wood).

SECONDARY AIR TIMER (SAT) located on the left side of the NC100E and NCM120E, and on the back of the NS220E EPA.

NEVER ATTEMPT TO BURN YOUR STOVE WITH THE TIMER KNOB SET IN THE OFF POSITION. THIS CLOSSES OFF THE SECONDARY AIR AND YOUR STOVE WILL BURN DIRTY AND PRODUCE CREOSOTE.

THE SAT SHOULD BE LEFT IN THE OPEN POSITION AND LOCKED WITH THE TIMER STOP LEVER SET ON "HI" AND YOUR STOVE WILL BURN OPTIMALLY. IT IS NOT NECESSARY TO USE THE TIMER EXCEPT IF YOU WISH TO EXTEND THE LENGTH OF THE COAL BED TIME, AFTER THE WOOD HAS FINISHED BURNING

The Secondary Air Timer (SAT) is used to control the duration of secondary air entering the stove. When burning the stove be sure the timer is set to open (Timer Knob past One Hour and Timer Lever to "HI").

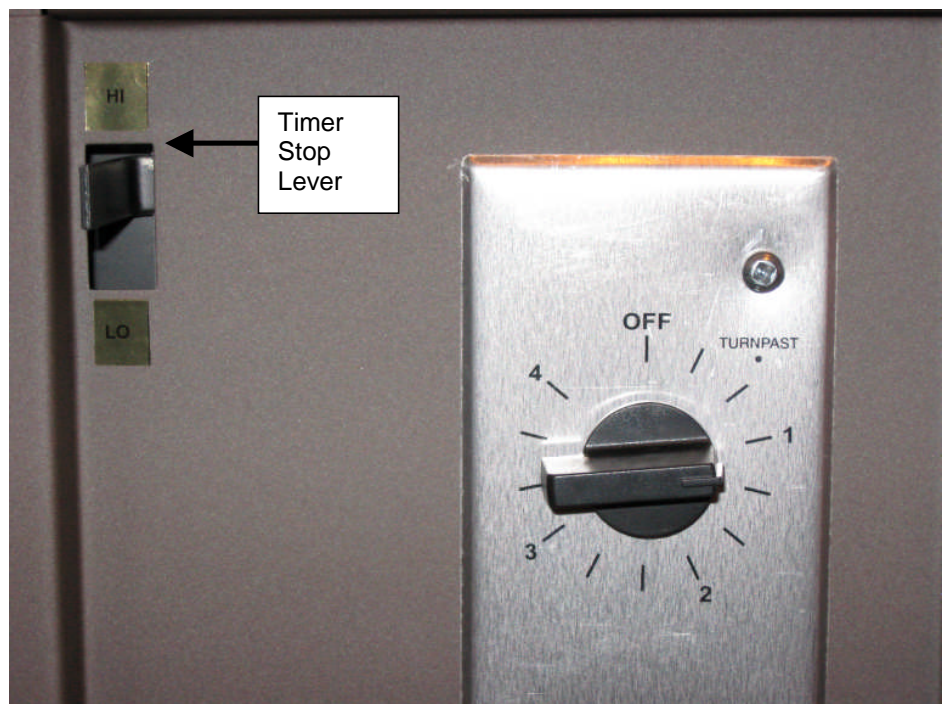
The SAT is only used if you wish to extend the coal bed time on Medium Low or Low setting. To do so:

1. GENTLY rotate Timer Knob clockwise to 2.5 to 3 hours for Medium Low and 3 to 3.5 hours for Low as designated on the timer plate.
2. Turn the timer lever down to "LO" to allow the timer to close. Observe that the timer closes after there are no more flames present
3. THE TIMER MUST BE OPENED AND THE LEVER SET TO "HI" BEFORE ADDING MORE FUEL.
4. The above settings are based upon a 15 foot chimney. The actual settings may vary slightly due to your chimney height and the outside temperatures. Taller chimneys and colder outside temperatures cause a stove to burn faster. This means the SA timer does not have to be opened as long. The same is true of wood moisture – drier fuel will burn faster than wetter fuel.

WATCH YOUR CHIMNEY – If you cannot see any visible smoke coming out of your chimney, you are operating your stove correctly. If you can see smoke, then adjust what you are doing so the smoke disappears. Remember, smoke equals lost heat!

Rotate timer past 1 hour and then rotate timer stop lever towards "HI" position to lock secondary air open

For medium low and low burn rates turn timer to desired time setting and rotate timer stop lever toward "LO".



LIGHTING and OPERATION

1. **IMPORTANT! – NEVER OPERATE THIS WOODSTOVE WITHOUT THE SECONDARY AIR TIMER IN THE LOCKED OPEN POSITION WHEN LIGHTING A FIRE OR RELOADING!**
2. Set the PAC dial and the thermostat on HIGH to provide maximum draft.
3. Note that the Secondary Air Inlet is in the " LOCKED OPEN POSITION" on the left side of the stove. See Fig. 1A and 1B.
4. Open loading door and lay fire, using ample kindling to ensure rapid ignition.
5. Prime chimney if necessary holding lighted newspaper up towards flue baffle. A CANDLE WORKS BEST AND WILL NOT SMOKE UP THE ROOM IF THE COLD AIR BLOWS THE NEWSPAPER OUT.
6. Light fire and close loading door.
7. Wait 3 - 5 minutes then add seasoned firewood. (See section concerning Fuel).
8. Set the PAC dial to maintain desired temperature in room. Medium setting is normally satisfactory. Set high or lower for desired temperature.
9. Once fire is established set the Burn Rate dial to the desired rate. This will maintain a steady temperature after the thermostat closes.

Fig. 1A – Locked Open Position

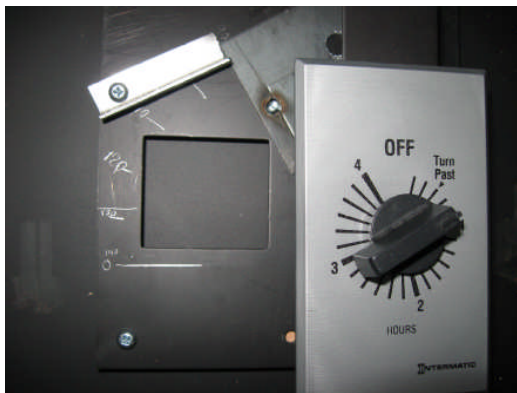


Fig. 1B – Timer Operating Positioning



Note: Even when timer door closes some secondary air can still enter stove

CAUTION: Do not operate this heater with the loading door open. Continuous operation with a door open will over heat the unit. This heater is designed for Thermostatic and Burn Rate Dial operation.

THERMOSTAT ADJUSTMENT DIAL- NS 220E Newmac Status EPA, NC100E Classic I EPA and NCM120 Classic II EPA

The adjustment plate in the thermostat may be set to change the burn rate. Open to increase and close to decrease burn rate. Leave adjustment for a few days after changing to see if burn rate is better for your situation. See diagram on page 5.

REFUELING

CAUTION: Read the section on back-puffing before refueling heater.

The loading door should be closed at all times except when refueling. If the door is allowed to remain open, the thermostat will not function, as it should. Before opening the loading door, make sure the thermostat is open. Allow the fire to burn rather briskly for a few minutes. Then open the loading door slowly.

By allowing the fire to increase for a short period, a high draft condition has eliminated smoke in the firebox and the temperature has been raised which prevents a back or down draft.

After refueling, run the dial on High and thermostat on open for 10 to 30 minutes to insure the secondaries ignite and stay lit when the air controls are adjusted to the desired settings. Keeping the secondaries lit is important for two reasons:

1. More heat is obtained from the wood
2. Smoke is particulate matter which is air pollution

DISPOSAL OF ASHES

1. Do not allow ashes to build up inside of firebox. This will reduce necessary air for proper combustion - keep ashes away from primary air intakes.
2. To clean ashes out of firebox push coals to back of stove and lift cleanout plate located behind the first brick. Scrape ashes forward and down opening into the ash pan below. Empty ash pan as required.
3. Ashes should be placed in a metal container with a tight fitting lid. The closed container of ashes should be placed on a non-combustible floor or on the ground, well away from all combustible materials pending final disposal.
4. If the ashes are disposed of by burial in soil or otherwise locally dispersed, they should be retained in a closed container until all ashes have thoroughly cooled.

OPERATING HINTS

A Heater puffs and fills room with smoke:

1. Check that sufficient outside combustion air is available to the heater.
2. Check for air leaks in chimney connector. It is of utmost importance that installations are made airtight. This is best accomplished by using furnace cement at each pipe joint and where the elbow of first joint of pipe enters the chimney flue.
3. Check for air leaks in chimney. Any air leaks existing between the top of the chimney vent and the heater may cause back-puffing. Here is the reason: NEWMAC wood-fired heaters are designed to operate on an airtight principle, when the combustion air damper has closed, which it does intermittently because it is controlled by the bimetal thermostat, the heater has to breathe throughout the hole in this damper plate. Therefore any air leaks existing, as mentioned above will cause the draft to draw at points where least resistance is offered, such as at pipe joints, where pipe enters chimney flue, around loose flue thimble, other flue openings into chimney around clean-out doors permitting air to seep into chimney. When this takes place, the gases and smoke are not drawn off the heater in proper quantity, causing them to build up in volume within the heater, which results in back-puffing. All such leaks must be sealed off airtight! In other words, the entire chimney pull or draft must be on the damper entrance only.
4. Check for chimney connector or chimney clogged with bird nests, loose brick, creosote, etc.

B Heater burns too much fuel:

1. Check air leaks around loading door. **NOTE:** Never operate with loading door or ash door open.
2. Check for air leaks around flue collar and firebox.
3. Check loading door and ash door gaskets.

BACK-DRAFT

There are two main causes of chimney downdraft. One readily recognized is air currents being deflected down the chimney by nearby higher objects, such as a tree, building or a hill.

The other cause, equally or more common, but seldom understood or recognized, is that in many chimneys the flue gases are chilled too quickly as they pass up the chimney. The temperature of the flue gases drop, they become heavy, and then other gases from the wood fire have to push a heavy column of air ahead of them in order to escape up the chimney. This often results in back-puffing or backpressure, odors in the house, or poor combustion, which can be annoying. Remember, the hotter the air in the flue, the stronger the draft. Any air entering the chimney, which has not passed through a hot fire will cool the air in the flue and spoil the draft and aid in the formation of creosote.

BACK-PUFF

Back-puff is the sudden ignition of gases within the heater, which happens when air is suddenly admitted. This is because the combustion rate in an airtight heater is air limited. Air for combustion is regulated by the primary air manifold and the thermostat.

If air is suddenly admitted to the firebox by opening the loading door, air will rush in and the gases will ignite. The combustion surge of the gases is so quick that the resulting pressure can force the hot gases out any available opening such as the loading door. Therefore, be cautious! Open any door or opening on an airtight heater very slowly and only then after being certain the thermostat door on the heater is open.

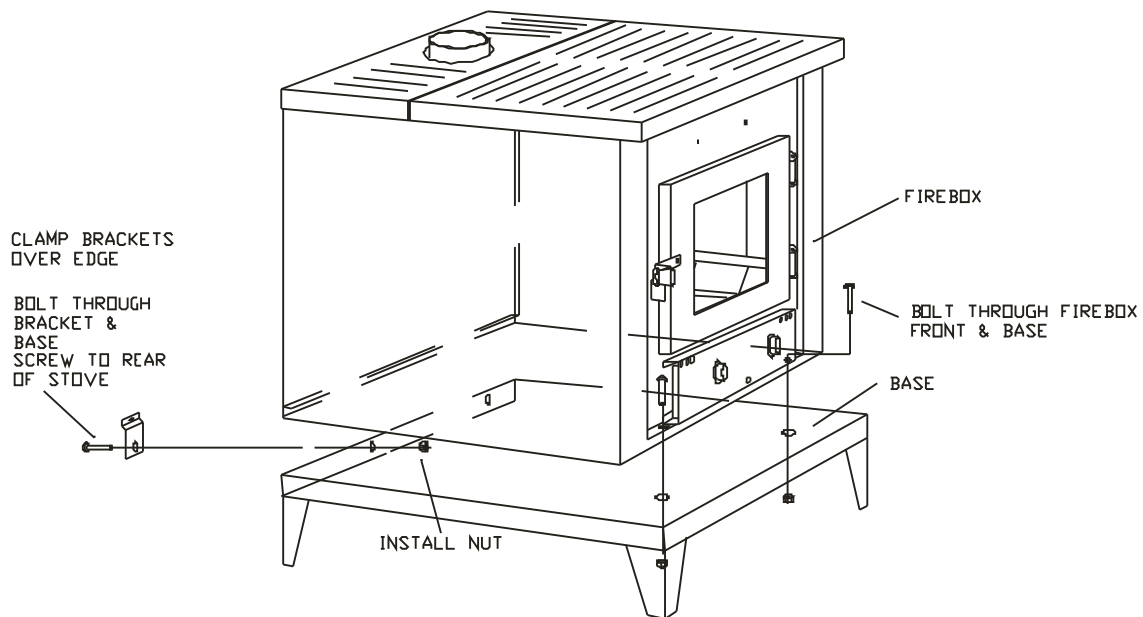
The possibility of back-puffing is one reason that children or anyone who is unfamiliar with the heater should be cautioned about touching the heater.

ASSEMBLY INSTRUCTIONS - NS220E (Newmac Status EPA)

1. Remove shipping carton.
2. Remove top of unit with louver.
3. Place firebox of heater on floor.
4. Open loading door - packed inside of heater firebox are legs, bolts, nuts, floor protectors, knob.
5. Turn over base legs down,
6. Place heater firebox on base plate and line up with 2 holes at front,
7. Secure heater firebox at front with 2 bolts and lock nuts.
8. Attach 2 clamps at back of unit to bottom base plate
9. Place louvered top onto heater firebox.
10. Install knob on lift top.

NOTES: Make sure all attached components are securely tightened to the base legs - firebox to base and clamps at back. Check operation of loading door to be sure it locks tightly when closed and forms good seal with firebox.

BASE ASSEMBLY - NS220E (Newmac Status EPA)



MOBILE HOME INSTALLATION FOR NC100E (Classic I EPA), NCM120E (Classic II EPA) CHIMNEY AND COMBUSTION AIR DUCT PREPARATIONS

NC100E (Classic I EPA), NCM120E (Classic II EPA) requires out door air when installed in a mobile and must be anchored to the floor.

Do not install the heater in a sleeping room, it should be located in the largest room of the mobile home. Only models certified for mobile homes may be installed in mobile homes

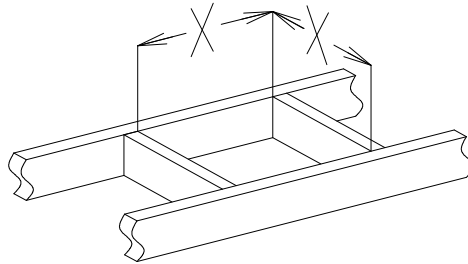
The structural integrity of the mobile home's floor, wall, and ceiling/roof must be maintained. Locate the heater so that the hole for the roof support and hole in the floor for the air inlet clear between joists.

The NC100E Newmac Classic I EPA and the NCM120E Classic II EPA room heater must be connected to a chimney complying with the requirements for Type HT chimneys in the Standard for Chimneys, Factory-Built, Residential Type and Building Heating Appliance UL103 (USA), or CAN/ULC S629, 650°C Factory Built Chimneys (Canada). In USA use GSW Max! Super Chimney model JSC 2100 UL components and in Canada use GSW Super Chimney Max! model JM 2100 ULC components.

The use of the specified components is important. Do not use other than the specified components.

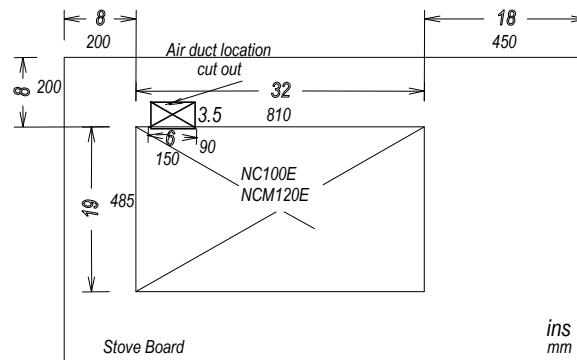
1. Place heater onto location allowing for proper minimum clearances to combustibles as shown.

2. Mark center point where the chimney goes through the ceiling and roof.
3. On same center outline square X = 12" x 12" (305mm x 305mm) – USA, or 14" x 14" (355mm x 355mm) – Canada framing opening as required by approved chimney support. Check to make sure no roof joist is in the way. Should there be one, move Heater to the left or right so that it lines up with the newly located center point/frame opening. Maintain vapor barrier.



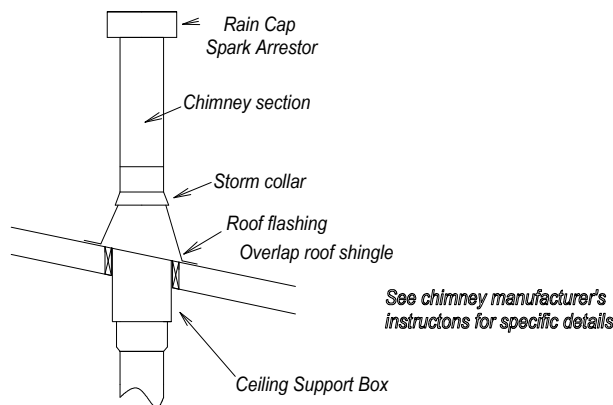
TYPICAL FRAMING DIMENSIONS

4. Mark outline to the outside air duct on floor again, making sure no joist has to be cut. Frame opening and maintain vapor barrier. Duct framing dimensions are 3-1/2" x 6" (89 x 152mm).



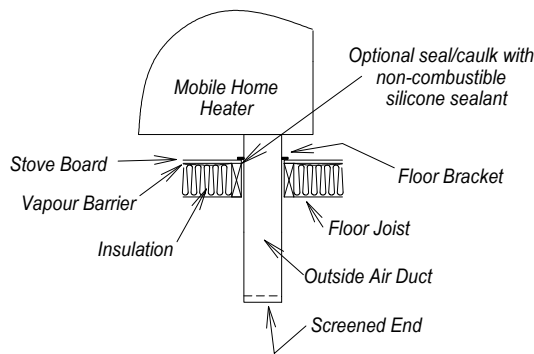
LOCATION AND DIMENSIONS OF AIR INTAKE DUCT HOLE AND FLOOR PROTECTOR AS SEEN FROM TOP

5. Remove the heater, cut the holes and prepare framing. Restore the integrity of the vapor barrier with suitable tape and/or caulking.
6. Install chimney ceiling support box JSC6CCSB (USA) or JM6CCS (Canada). Slide into opening level and nail through box framing using four 2" spiral nails or equivalent per side.



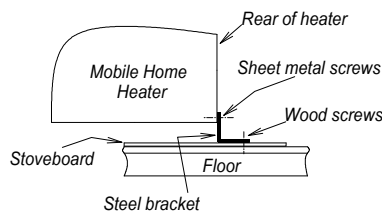
TYPICAL CEILING SUPPORT BOX INSTALLATION

7. Prepare floor protector. Locate onto floor and cut 3-1/2" x 6" (89 x 152mm) hole.
8. Position floor protector and install outside air duct through floor.



INSTALLATION OF OUTSIDE AIR DUCT AS SEEN FROM SIDE

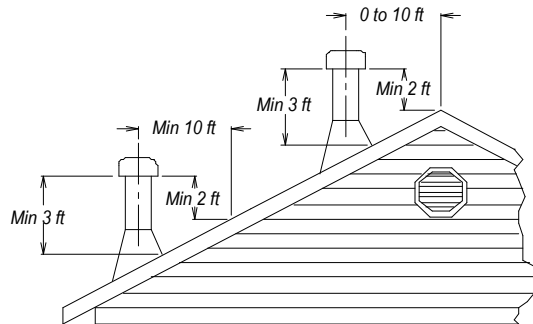
9. Place heater in position. Be sure to lift heater in front and carefully slide over air duct.
10. Attach floor anchors. Drill 1/8" diameter holes and fasten to rear of heater base and floor with sheet metal screws (#10 x 3/4").



FLOOR ANCHOR INSTALLATION AS SEEN FROM SIDE

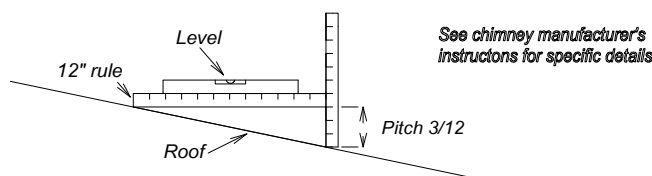
11. Use chimney connector or stovepipe adapter JM586ASE for connecting approved pipe between chimney and cast flue collar on top of heater.
12. Install chimney length as required.

NOTE: The chimney must be at least 3 feet above the highest point where it passes through the roof of the building and not less than 2 feet above the highest roof surface or structure within 10 feet horizontally. Not more than 8" of chimney cap above the top of the flue may be considered in computing this height.



BASIC RULE FOR CHIMNEY TERMINATION HEIGHTS ABOVE ROOF

13. Install roof flashing (JSC6 ATC, AFA, AF2, or AF3 - USA), (JM6 ATC, F1, or F2 – Canada), storm collar and rain cap.
 - a. Ensure that you have the proper roof flashing; check your roof pitch using a level and two rulers.

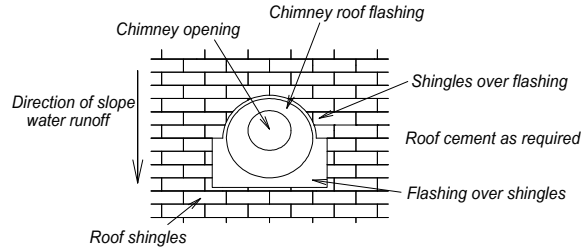


ROOF PITCH

See the manufacturer's catalog and instructions for flashing and pitch recommendations.

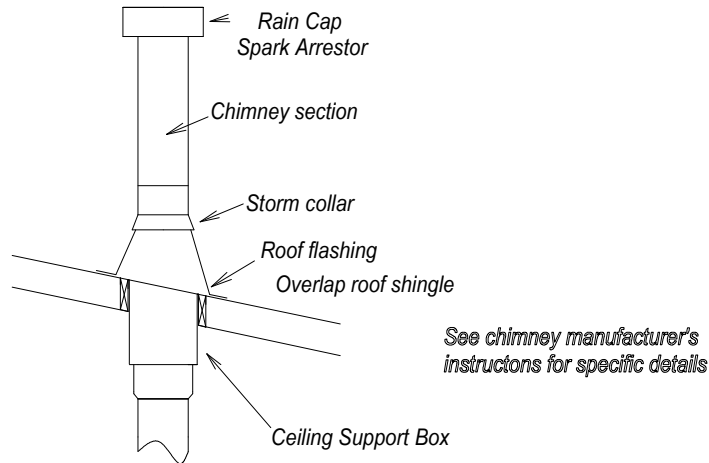
- b. Slide a Roof Flashing suitable to your roof slope over the chimney. Place the top edge of flashing plate under the shingles. Tighten the roof-flashing band around the chimney.

NOTE: At the top edge of the flashing plate, lift the shingles and nail the plate to the roof deck. Then cement shingles to plate with suitable waterproof mastic.



ROOF FLASHING

- c. Ensure the chimney is plumb. Square up the flashing plate and nail in place to the roof deck. Use 12 nails and neoprene washers or cover the heads with a suitable waterproof mastic,



TYPICAL CHIMNEY INSTALLATION

- d. Wrap the Storm Collar around the chimney above the flashing. Secure the ends together loosely with the nuts and bolts supplied. Slide the collar down the chimney until it contacts the flashing guides and/or draw band. Tighten the nuts and bolts and seal the Storm Collar to the chimney with suitable waterproof non-combustible mastic. After installation check to ensure that the flashing guides maintain an air space between the Storm Collar and the cone flashing.

WARNING: Do not block the air space between the storm collar and the cone flashing.

- e. The flashing and storm collar should be painted to match the roof shingles. This will extend its life and improve the appearance. Clean and paint with suitable painting products.
- f. Continue adding chimney lengths until the proper height is achieved. Install a rain cap (standard or deluxe model) and lock it in place by turning clockwise until tight.
- g. If the chimney extends more than 5' (1600mm) above the roof deck, roof guys are required. GSW Model J6RG roof guy kit is used this application. The draw band must be clamped around the chimney and the two legs bolted to the roof. Seal the roof with a suitable waterproof mastic. Tighten the two leg clamps to fix the position of the telescopic legs.

CHIMNEY REMOVAL FOR MOBILE HOME TRANSPORTATION

Before transportation of the mobile home, the chimney connector should be disconnected and the chimney removed according to the chimney manufacturer's instructions. It should be replaced, secured and re-sealed before the heater is used.

USING HEATER FOR EMERGENCY COOKING

This heater is designed so that the cabinet top can be lifted and cooking vessels set on top of the firebox for cooking and heating water.

NOTE: This lift top feature is intended for emergency cooking only, such as when regular cooking facilities are temporarily out of service. When it is being used as a heater, the cabinet top must be in place.

CREOSOTE AND THE NEED FOR REMOVAL

This low emission wood stove is designed to burn up smoke, particulates and organic vapors and gases prior to exiting the firebox provided seasoned cordwood is burned and therefore you should not experience creosote build up. However even low emission stoves will allow some vapors up the chimney and condense exiting the chimney top where creosote can build up in the chimney cap. Check this on a regular basis. Most noticeable is smoke may exit the stove even when the door is opened slowly.

When wood is burned slowly, it produces tar and other organic vapors, which combine with expelled moisture to form creosote. The creosote vapors condense in the relatively cool chimney flue of a slow-burning fire. As a result, creosote residue accumulates on the flue lining. When ignited this creosote makes an extremely hot fire.

Creosote is caused from the condensation of the vapor that exists within the escaping smoke – seasoned wood is less likely to form creosote. The density of the vapor is dependent upon the moisture content of the gases in the flue. The hotter the escaping gases in the chimney, the less creosote formation you will have. A well-constructed chimney with smooth liners and a flue that is well insulated from the colder air is best. Chimneys built with porous brick, or ones with loose brick, or ones constructed with stovepipe are undesirable because the colder air condenses the escaping gases much more rapidly than they are in a well-constructed chimney.

The chimney connector and chimney should be inspected at least once a month during the heating season to determine if a creosote build-up has occurred.

If creosote a significant layer of creosote (1/8 inch, 3mm or more) has accumulated it should be removed to reduce the risk of a chimney fire.

CAUTION: Increase the minimum fire only as much as necessary to reduce the formation of tars. Increasing the minimum fire may cause overheating on warm days. Establish a routine for re-fueling and firing techniques. Check daily for creosote build-up until experience shows you how often you need to clean to be safe. The hotter the fire the less creosote is deposited, and weekly cleaning may be necessary in mild weather even though monthly cleanings may be enough in the coldest months. Contact your local municipal or provincial fire authority for information on how to handle a chimney fire. Establish an emergency plan to handle a chimney fire should this occur.

The formation of creosote could also be caused by a severe downdraft condition caused from taller objects surrounding the chimney such as a hill, trees, other buildings, or chimneys of poor construction.

Under such conditions, the cold air drifts into and down the chimney, chilling the escaping vapor within the smoke below the dew point and depositing this residue on the inside of the chimney walls. A chimney cap can help reduce this possibility.

It is important that you inspect the chimney connector and chimney flues more frequently than every 1 to 2 months until you see what pattern of deposition is occurring.

WARNING: If unseasoned pitchy cordwood is burned or the chimney is not properly constructed or insulated or if the chimney connector is excessively long or has several elbows or turns, more frequent inspections must be made.

If creosote is a problem, the following may reduce it:

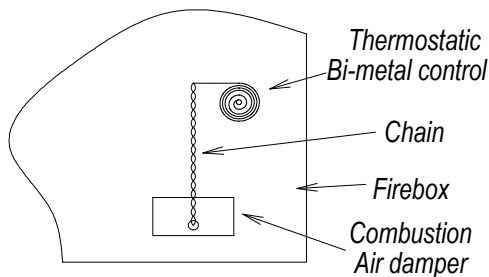
1. Seasoned firewood, usually between 18 to 25% moisture, usually indicated by noticeable cracks in the ends of the cordwood.
2. More frequent refueling with smaller pieces produces a hotter fire.
3. Avoid prolonged operation of the heater with the thermostat at its lowest setting.

A CAUTION NOTE ABOUT CHIMNEY FIRES

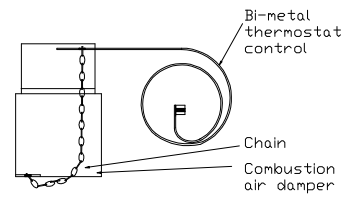
If you suspect a chimney connector or flue fire, you should reduce all combustion air to a minimum. Turn the heater Thermostat and Dial knobs to LOW. Close Secondary air inlet. Make sure loading and ash doors are completely closed and secure. If necessary, call you local fire department. Do not take down the flue pipes until the fire has been completely extinguished. Creosote buildup can ignite and cause a fire inside the chimney and are difficult to extinguish until the burnout is complete. A listed chimney is sufficient to contain the fire, but distortion can result. If such a burnout should occur, your chimney should be inspected immediately and any deformed, warped or otherwise distorted parts replaced before further use.

RECOMMENDED BI-METAL AND DAMPER SETTING

The thermostat (bi-metal) control was adjusted at the factory at room temperature. Do not tamper with the control or the damper lift mechanism as this may cause the room heater to overheat.



NC100E et NCM120E



NS220 - NEWMAC STATUS

NS220E

CARING FOR ENAMELED PARTS

NC100E (Classic I EPA)& NCM120E (Classic II EPA)

This heater has enameled outside jacket. Enamel baked onto the steel or iron is very serviceable, but it will not stand rough handling or abuse. When setting up your heater use care in handling. Clean with soap and warm water when heater is not hot. DO NOT use any acids or scouring soap, as these wear and dull the finish.

LOADING DOOR ADJUSTMENT

Should it be necessary to adjust or tighten the loading door (NS220E - Key 20, NC100E – Key 32, NCM120E-Key 32) remove bolts in door latch bracket (NS220E – Key 28, NC100E – Key 39, NCM120E-Key 39) place washers inside (between bracket and front) this will adjust latch bracket closer to front and tighten door seal.

REPLACEMENT OF FIREBOX LINERS – NS220E (Newmac Status EPA)

All firebox liners with the exception of the front liner and primary air outlet (Key 23 and 24) are secured without the use of screw or bolts. To replace any or all liners this sequence must be followed.

Removal Procedure:

1. To remove smoke pipe baffle (Key 11) remove 10 nuts (5 on each side) and one at rear center, push up through bolts and bring through the door opening.
2. Slide left and right top brick rack (Key 27) toward back of firebox and remove through door opening
3. Remove refractory bricks on each side (5 per side).
4. Take out rear brick rack assly (Key 16).
5. Lift up and remove lower right side brick rack (Key 26).
6. Remove bottom bricks
7. Lift up and remove lower left side brick rack
8. Slide angled side bricks (2 per side) from side brick liner.

NOTE: To remove front liners unscrew fastening bolts and lift out.

To replace the firebox liners follow the removal procedure in reverse, i.e. start with Step 9 to slide side bricks into liner etc.

CIRCULATING FAN MODEL NBK-100

Optional for NC100E (Newmac Classic I EPA) and NCM120E (Newmac Classic II EPA, Mobile) ONLY

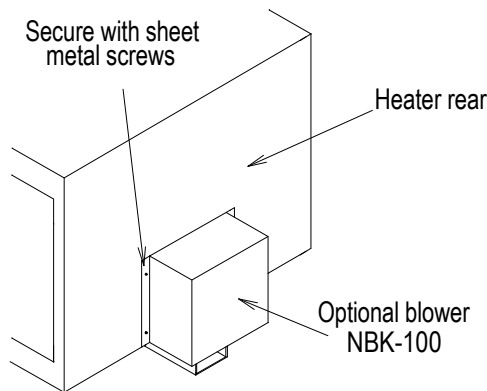
NO OTHER CIRCULATING FAN IS CERTIFIED FOR THESE HEATERS

INSTALLATION: To install on heater, place outlet of fan box assembly into air duct located at bottom of rear panel. Then attach fan assembly to rear panel with sheet metal screws provided. (Use #30 Drill). Make sure that the power supply cord to the fan box is protected from possible damage.

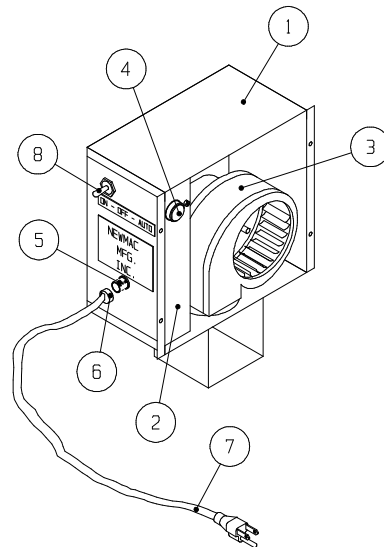
OPERATION: Use 115V 60Hz 1PH AC current only.

1. After the heater is in operation, and the toggle switch is in the automatic position, the circulating fan will operate. It is controlled by a built-in heat sensing fan switch.
2. The heater back panel must get hot to operate the fan switch, which controls the blower motor. The disc thermostat fan switch must touch the rear panel when set in the automatic position.
3. Normally it takes 30-45 minutes for the fan on the heater to operate after starting.
4. The circulating fan may also be set for continuous operation by setting the switch in the "ON" position.

Oil the blower motor twice a year with (2) drops of S.A.E. 30 oil



Classic Models NC100 and NCM120

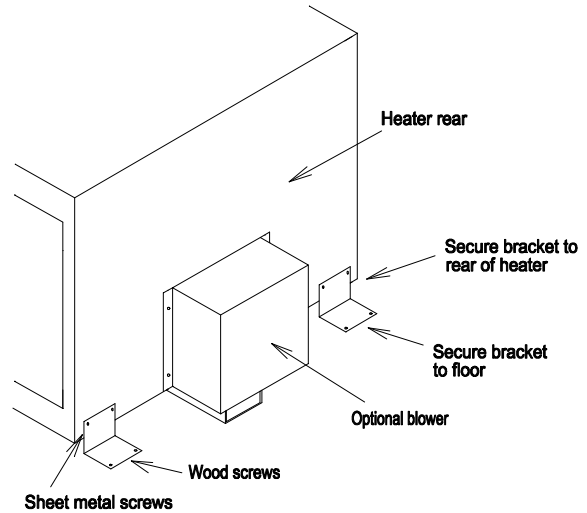


Key No.	Part No.	DESCRIPTION
1	2220035*	Fan Housing Assembly
2	2220035*	Inside Bracket
3	2220035*	Fan Motor
4	2040033	Disc thermostat
5	2220035*	Snap Bushing
6	2220035*	Strain Relief
7	2220035*	Cord with Plug
8	2040034	Toggle Switch
* Part Number 2220035 is a sub-assembly including all the parts indicated		

FLOOR BRACKET INSTALLATION – NC100E Classic I EPA, NCM120E CLASSIC II EPA

1. After heater is in position, set brackets in position as shown.
2. Drill 1/8" diameter holes in heater casing and floor for screws.
3. Insert floor wood screws, provided, (#10x1-1/2") through bracket into floor.
4. Insert sheet metal screws, provided, (#10 x 3/4" sheet metal) through bracket into casing, and secure.

Part Number	Part	Number required
4110562	Floor bracket	2
4100148	Screws bag	1



TO ORDER REPAIR PARTS

This manual will help you to obtain efficient, dependable service from the heater, and enable you to order repair parts correctly. Keep in a safe place for future reference.

The use of the specified components is important. Do not use other than the specified components. When ordering, always give the full model number on the identification plate attached to the back of the heater with the following information:

1. The Part Number (not key number)
2. The Part Description
3. The Model Number of the appliance
4. Number of Parts Required

WARRANTY PROCESSING

The following is required to process warranty claims:

1. Owner's name and address
2. Installer's name, address, and phone number
3. Serial Number
4. Model Number
5. Installation Date

Newmac must issue a "Returned Goods Number" prior to acceptance of returned goods.

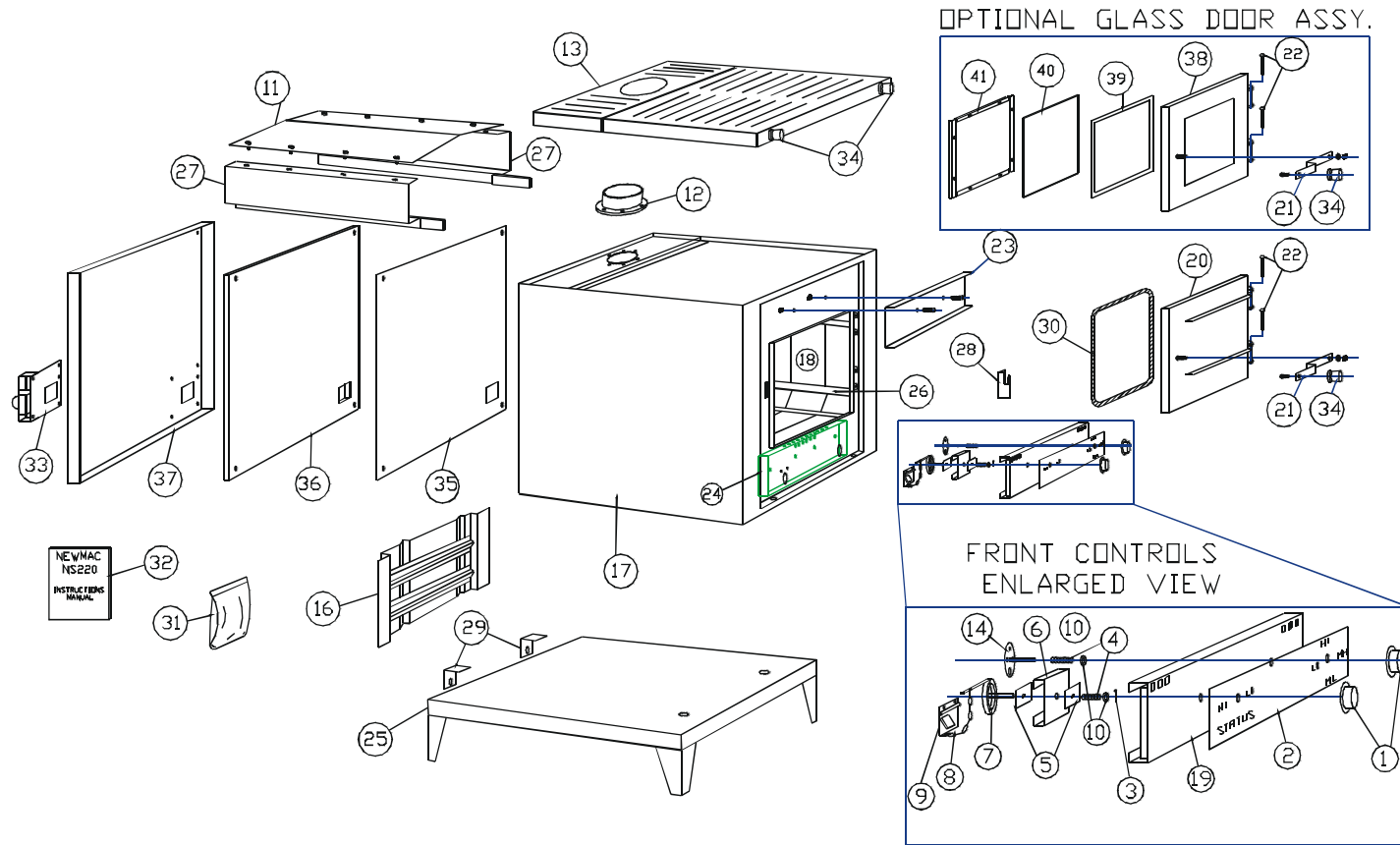
Refer to your "Newmac Wood-stove Limited Warranty" for terms and conditions.

REPLACEMENT PARTS
List Part Numbers – Newmac Status EPA
Model NS220E Wood Heater

KEY NO.	PART NO.		DESCRIPTION
1	2140050		Draft Control Knob
2	2210322		High/Low Label
3	2160006		Cotter Pin 1/16 x 3/4"
4	2220005		Compression Spring
5	3090468		Thermostat Stop
6	3090459		Thermostat Standoff
7	3090393		BI Metal Thermostat Spring
8	3070013		Draft Door Chain
9	4060296		Primary Air Inlet
10	2150003		1/4" Flat washer
11	4060434		Smoke Pipe Baffle Assly
12	4060284		Cast Pipe Connector
13	4110600		Louvre Panel Painted
14	4060295		Burn Rate Dial
16	4060430		Rear Brick Rack Assly
17	4110574		Main Body Assly Painted
18	2030025		Split Brick Pumice 1 1/4 x 4 1/2 x 9 (19 pieces)
19	4110570		Thermostat Controls Cover Painted
20	4160306		Firedoor C/W Rope Gasket Glued
21	4110539		Door Handle
22	2160011		Door Pins (7/32 x 3.25")
23	3090450		Front Liner, Top
24	4060429		Primary Air Outlet
25	4110575		Base Panel Assly, Painted
26	3120163 3120160	Set Sold As 5200011	Brick Spacer Bottom Brick Rack
27	4060425 4060426	Set Sold As 5200012	Right Top Brick Rack Left Top Brick Rack
28	4110531		Door Catch Painted
29	3040244		Base Retainers (In Parts Bag 4100157)
30	2080049		Door Gasket 42" Rope
31	4100157		Parts Bag
32	2210243		Instruction Manual
33	4050215		**Timer Assembly
34	4110561		Wooden Handles, Stained Brown (In Parts Bag 4100157)
35	4060428		Super wool retainer
36	3070035		Super wool 607
37	4110571		Secondary Air Panel
38	4160307		Glass Door
39	2080103		Gasket
40	2080102		Ceramic Glass
41	3160451		Glass retainers (4 pieces)

**NOTE: Some parts available as complete assemblies only

REPLACEMENT PARTS – NEWMAC STATUS EPA NS220E



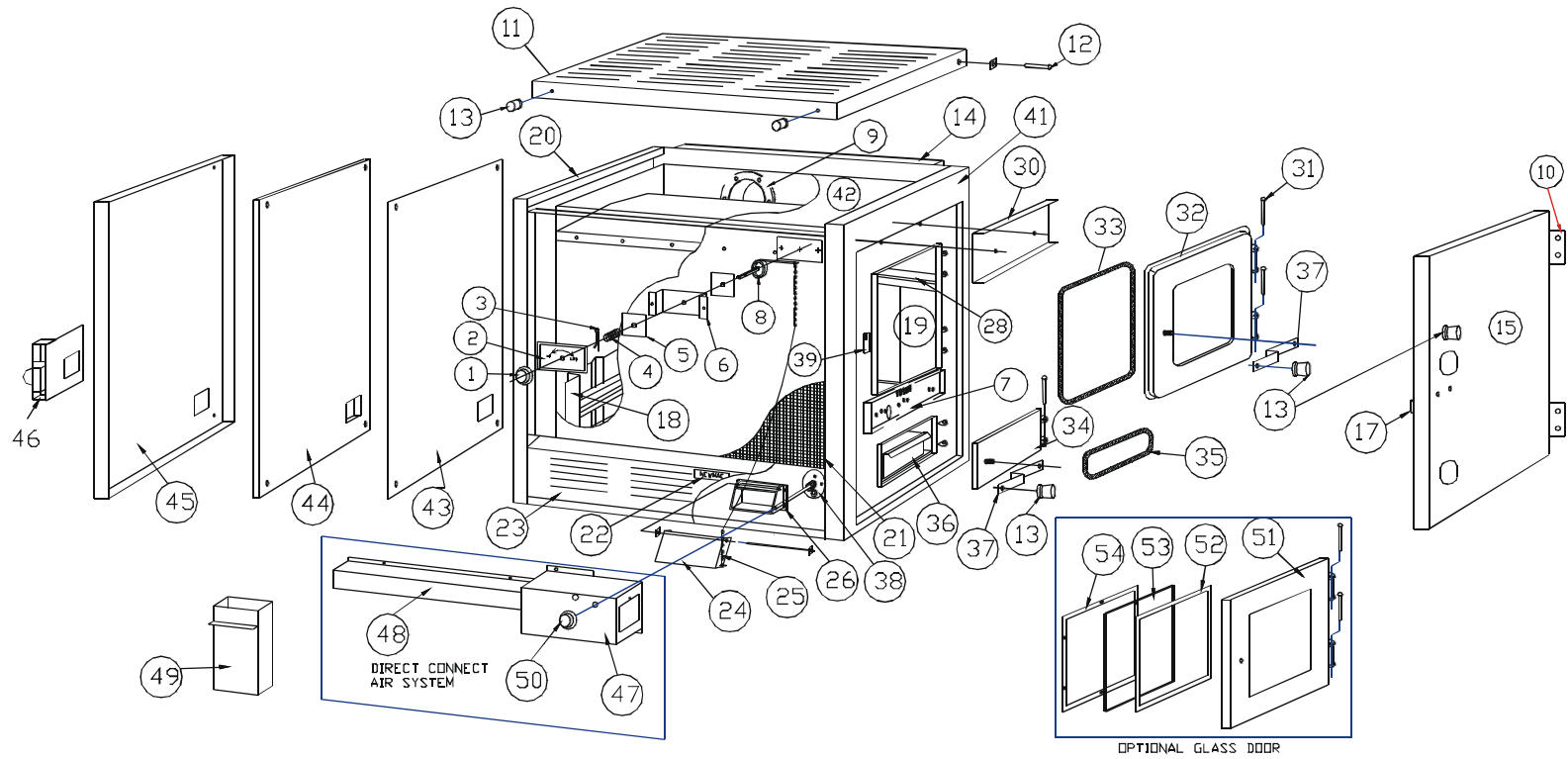
REPLACEMENT PARTS

List Part Numbers – Newmac Classic I EPA Model NC100E Wood Heater

KEY NO.	PART NO.	DESCRIPTION
1	2140050	Draft Control Knob
2	3010011	High/Low Label
3	2160006	Cotter Pin 1/16 x 3/4"
4	2220005	Compression Spring
5	3090517	Thermostat Stop (2)
6	3090358	Thermostat Standoff
8	2220007	BI Metal Thermostat Spring
9	4060284	Cast Pipe Connector
10	2220013	Hinges 1 1/2" x 1 1/2"
11	4110541	Top Louvre Panel (Painted)
12	2160001	1/4 x 1" Steel Door Pins (Louvre Panel)
13	4110561	Wooden Knobs Stained Brown
14	4110606	Rear Panel Assembly (Painted)
15	4110545	Casing Door (Painted)
16	3090496	Baffle (Baffle Filler – Part # 3090507)
17	2220016	Roller Catch
18	3090480	Rear Brick Spacer
19	2030025	Split Brick Pumice 1 1/4 x 4 1/2 x 9 (15 pieces)
20	4110609	Casing End Painted
21	4110615	Screen Assembly (Painted)
22	2210323	Classic I EPA Label
23	4110605	Front Bottom Louvre Panel (Painted)
24	4110607	Draft Door
25	3070019	Damper Chain
26	4110560	Cast Air Inlet
27	4060450	Primary Air Outlet
28	4060314	Top Brick Rack
29	3090478	Bottom Brick Spacer (2)
30	3090489	Top Front Liner
31	2160011	1/4" x 3 1/4 " Steel Door Pins
32	4160126	Firedoor c/w Rope Gasket Glued
33	2080049	Door Gasket 42" Rope
34	4160127	Ashdoor c/w Rope Gasket Glued
35	2080049	Ashdoor Gasket 28.8" Rope
36	4010315	Ashpan
37	4110539	Door Handles
38	4060451	Burn Rate Dial
39	4110531	Door Catch Painted (Only 1 Replaceable)
41	4110546	Casing Door Frame End (Painted)
42	4110608	Firebox Assembly (Painted)
43	4060440	Insulation Support Panel
44	3070040	Superwool Insulation
45	4110612	Secondary Air Panel
46	4130040	Secondary Air Timer Assembly
47	4110613	Primary Air Distribution Box
48	4110610	Primary Air Channel
49		Floor Inlet Box
50	2140050	Burn Rate Dial Knob
51	4160307	Glass Door
52	2080103	Gasket
53	2080102	Ceramic Glass
54	3160451	Glass retainers (4 pieces)
55		

NOTE: Some parts available as complete assemblies only.

REPLACEMENT PARTS – NEWMAC CLASSIC I EPA NC100E

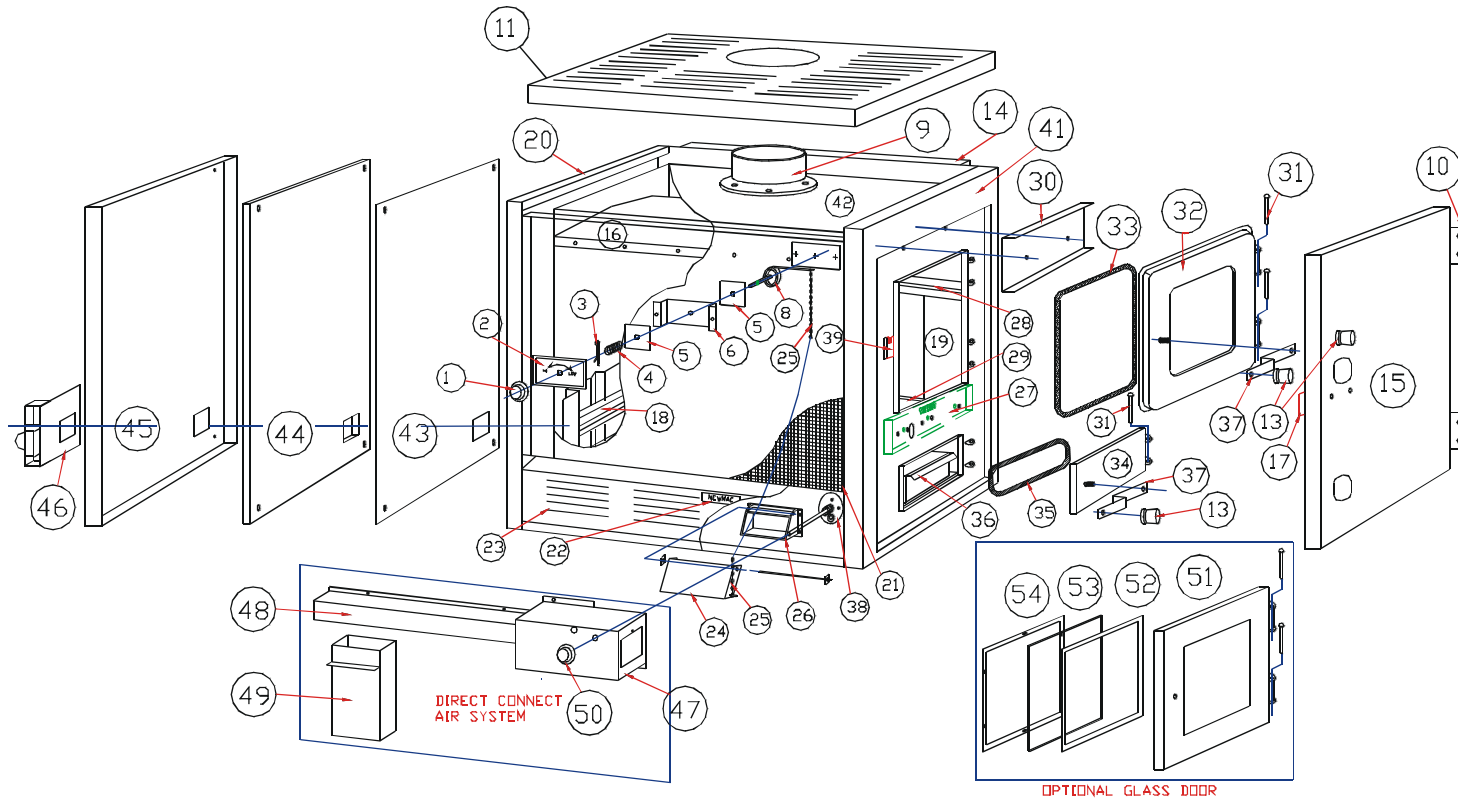


**List Part Numbers – Newmac Classic II EPA
Model NCM120E Wood Heater**

KEY NO.	PART NO.	DESCRIPTION
1	2140050	Draft Control Knob
2	3010011	High/Low Label
3	2160006	Cotter Pin 1/16 x 3/4"
4	2220005	Compression Spring
5	3090517	Thermostat Stop (2)
6	3090358	Thermostat Standoff
8	2220007	BI Metal Thermostat Spring
9	4060284	Cast Pipe Connector
10	2220013	Hinges 1 1/2" x 1 1/2"
11	4110558	Top Louvre Panel (Painted)
13	4110561	Wooden Knobs Stained Brown
14	4110619	Rear Panel Assembly (Painted)
15	4110545	Casing Door Painted (Painted)
16	3090496	Baffle (Baffle Filler – Part # 3090507)
17	2220016	Roller Catch
18	3090480	Rear Brick Spacer
19	2030025	Split Brick Pumice 1 1/4 x 4 1/2 x 9 (15 pieces)
20	4110609	Casing End Painted
21	4110615	Screen Assembly (Painted)
22	2210340	Classic II EPA Label
23	4110605	Front Bottom Louvre Panel (Painted)
24	4110607	Draft Door
25	3070019	Damper Chain
26	4110560	Cast Air Inlet
27	4060450	Primary Air Outlet
28	4060314	Top Brick Rack
29	3090478	Bottom Brick Spacer (2)
30	3090489	Top Front Liner
31	2160011	1/4" x 3 1/4" Steel Door Pins
32	4160126	Firedoor c/w Rope Gasket Glued
33	2080049	Door Gasket 42" Rope
34	4160127	Ashdoor c/w Rope Gasket Glued
35	2080049	Ashdoor Gasket 28.8" Rope
36	4010315	Ashpan
37	4110539	Door Handles
38	4060451	Burn Rate Dial
39	4110531	Door Catch Painted (Only 1 Replaceable)
41	4110546	Casing Door Frame End (Painted)
42	4110620	Firebox Assembly (Painted)
43	4060440	Insulation Support Panel
44	3070040	Superwool Insulation
45	4110612	Secondary Air Panel
46	4130041	Secondary Air Timer Assembly
47	4110613	Primary Air Distribution Box
48	4110610	Primary Air Channel
49		Floor Inlet Box
50	2140050	Burn Rate Dial Knob
51	4160307	Glass Door
52	2080103	Gasket
53	2080102	Ceramic Glass
54	3160451	Glass retainers (4 pieces)

NOTE: Some parts available as complete assemblies only.

REPLACEMENT PARTS – NEWMAC CLASSIC II EPA NCM120E



Manufactured by: NEWMAC MFG. INC. Model: STATUS EPA

US ENVIRONMENTAL PROTECTION AGENCY

MEETS EPA PARTICULATE MATTER (Smoke) CONTROL REQUIREMENTS FOR NONCATALYTIC WOOD HEATERS BUILT AFTER JULY 1, 1990.

SMOKE

THIS MODEL



EFFICIENCY



Wood heaters with higher efficiencies cost less to operate

HEAT OUTPUT

11,600 to 27,400 Btu/Hr

Use this to choose the right size appliance for our needs.
ASK DEALER FOR HELP

This wood heater will achieve low smoke output and high efficiency only if properly operated and maintained. See owner's manual.

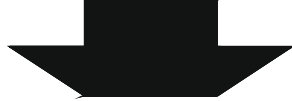
Manufactured by: NEWMAC MFG. INC. Model: CLASSIC I EPA

US ENVIRONMENTAL PROTECTION AGENCY

MEETS EPA PARTICULATE MATTER (Smoke) CONTROL REQUIREMENTS FOR
NONCATALYTIC WOOD HEATERS BUILT AFTER JULY 1, 1990.

SMOKE

THIS MODEL



EFFICIENCY



Wood heaters with higher efficiencies cost less to operate

HEAT OUTPUT

10,700 to 27,000 Btu/Hr

Use this to choose the right size appliance for your needs.
ASK DEALER FOR HELP

This wood heater will achieve low smoke output and high efficiency only if
properly operated and maintained. See owner's manual.

Manufactured by: NEWMAC MFG. INC. Model: CLASSIC II EPA

US ENVIRONMENTAL PROTECTION AGENCY

MEETS EPA PARTICULATE MATTER (Smoke) CONTROL REQUIREMENTS FOR
NONCATALYTIC WOOD HEATERS BUILT AFTER JULY 1, 1990.

SMOKE

THIS MODEL



EFFICIENCY



Wood heaters with higher efficiencies cost less to operate

HEAT OUTPUT

27,000 to 10,700 Btu/Hr

Use this to choose the right size appliance for our needs.
ASK DEALER FOR HELP

This wood heater will achieve low smoke output and high efficiency only if properly operated and maintained. See owner's manual.

NEWMAC EPA WOOD-STOVE LIMITED WARRANTY

Model: _____

Serial No: _____

Date of Installation: _____

1. **WARRANTY.** Effective September, 2004, vendor warrants, upon and subject to the following terms and conditions, that, if items of the GOODS, identified above, manufactured by it and sold as new are found to be defective in workmanship or material prior to the end of the period (the "Vendor's Warranty Period"), which is five (5) years from date of installation, Vendor shall, within a reasonable time, at Vendor's option, either repair the Goods, provide a replacement part or parts (which may be reconditioned) for the Goods, refund the purchase price of the Goods without interest upon return of the Goods, exchange other goods for the Goods or grant a reasonable allowance on account of any defect. Any installation, labour, construction, transportation or other related costs or expenses arising from defective parts or repair or replacement will not be covered by this warranty, nor will Vendor assume responsibility therefor. Notwithstanding the foregoing, the following are special exclusions from the foregoing warranty: (a) decorative trim pieces, fans, electrical parts, internal parts and refractory have a warranty of 90 days. Vendor makes no warranty with respect to damage caused by any of the following: (a) improper operation and/or improper installation; (b) failure to remove plastic protective covering; (c) use of acidic or abrasive cleaners; (d) mortar or any other building material; (e) scratching or denting during installation; (f) exposure or storage in a non-controlled environment; (g) tampering, (h) down drafts or spillage caused by environmental conditions such as nearby trees, buildings, roof tops, hills or mountain, or (l) inadequate ventilation or negative air pressure caused by mechanical systems such as furnaces, fans and clothes dryers. Vendor makes no warranty with respect to Goods sold by it as used goods or with respect to components of the Goods or accessories of the Goods which are not manufactured by Vendor but, in the event that such components are the subject of a warranty by the manufacturer thereof in favour of Vendor, Vendor hereby assigns to Purchaser to the fullest extent possible the benefit of any such warranty.

Vendor's obligations under this warranty are conditional on Purchaser demonstrating that the Goods have been stored, assembled, installed, maintained and operated only in accordance with the instructions issued by Vendor and with standard industry practice, and on Purchaser notifying Vendor in writing of any alleged defect with fourteen days after the alleged defect shall have become reasonably apparent to the Purchaser and affording Vendor a reasonable opportunity to investigate the alleged defect. No goods shall be returned to Vendor until after approval by Vendor and receipt by Purchaser or written shipping instructions from Vendor.

Any repair done or any replacement part provided under this warranty is warranted by Vendor only to the expiration of the Vendor's Warranty Period.

Vendor shall not be responsible under this Warranty for any shipping, insurance, removal or installation cost nor, unless the goods warranted are defective in workmanship, for any labour costs. Vendor shall charge its usual fees (plus expenses) for any work (including inspections and repairs), which is not covered by this Warranty.

This warranty is non-transferable, and is made to the original retail purchaser, provided that the purchase was made through an authorized dealer of the Vendor.

If warranty service is needed contact your dealer. Make sure you have your warranty, your sales receipt, the model/serial number and inspector number of your Goods.

2. **Exclusivity of purchaser's remedies.** Except as expressly stated herein, purchaser shall have no remedies, whether in contract, tort or otherwise, with respect to or in any way arising out of the sale condition or operation of the goods.

3. **Exclusion of warranties and exclusion of liability.** Except as expressly stated herein, all warranties, conditions, representations and collateral agreements, express or implied, statutory or otherwise, including without limitation any implied warranty or condition of merchantability, quality or fitness for purpose are hereby excluded, and vendor shall not be liable, whether in contract, tort or otherwise for any loss injury expense or damage of any kind whatsoever (including, without limitation, special consequential, incidental or indirect damages including loss of use, earnings or profits) in any manner resulting, whether or not from negligence, gross negligence or fundamental breach by vendor, its employees, agents or servants.