

Replacement Parts



List EmberGlo® Steamer Models ES5M & ES5MT

*Tap Water Operation
Designed to Operate
Without Distilled Water*



Manual Operation Steamer with Water Pan

Installation and Service Manual - 8449-96

Date Code - Model ES5M first construction May 1983

Model ES5MT (Tortilla Model) first construction February 2013

Items listed are replacement parts for the current Models ES5M and ES5MT Tap Water Steamer and its components.

- EmberGlo Steamers do not require a separate hood for vapor produced during operation according to the Uniform Mechanical Codes per the International Conference of Building Officials Code.



EmberGlo®

EmberGlo
A Div of Midco® International Inc.
4140 West Victoria Street
Chicago, Illinois 60646
toll free 866.705.0514
tel 773.604.8700
fax 773.604.4070
web www.emberglo.com
e-mail sales@emberglo.com

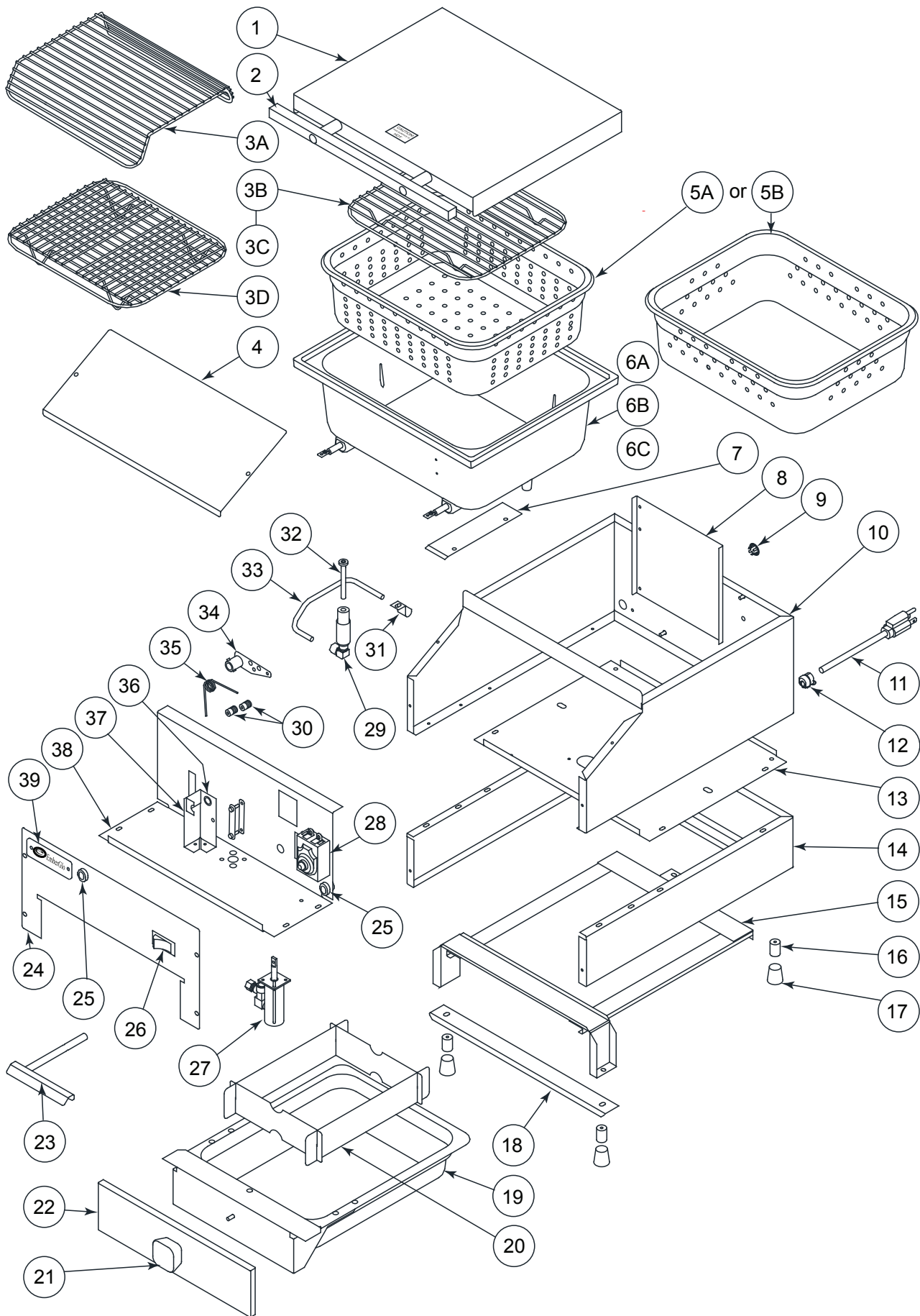
AVOID ERROR IN PARTS SELECTION. When ordering use complete EmberGlo Part Number and Description. Furnish Model Number, Bill of Material Number and Serial Number (if available) from the specification plate found on the product.

IMPORTANT: Availability of parts as well as specifications are subject to change without notice.

Quality Designed for Proven Performance

413
8472 50
Printed in USA

ES5M & ES5MT Exploded View



ES5M & ES5MT Parts List

#	Part #	Description	Qty	#	Part #	Description	Qty
1	1420-80	Lid Assembly	1	27	1405-30	Pump Assembly	1
2	1435-00	Lid Handle Replacement Kit	1	28	8425-08	Thermostat	1
3A	5682-60	Tortilla Grid	1	29	1402-70	Water Inlet Assembly	1
3B	5608-50	Food Pan Grid	1	30	1408-00	Spring Seat	2
3C	5608-51	Food Pan Grid 1.5" Tall	1	31	1409-60	Tube Clip	1
3D	5608-52	Food Pan Grid 1.5" Tall - Mesh	1	32	1411-20	Water Nozzle w ith Spring	1
4	1401-21	Control Box Cover - ES5PBS	1	33	1410-90	Water Tube Assembly	1
5A	8452-64	Perforated Pan Half Size 4" Deep (ES5MT)	1	34	1407-40	Pump Crank Assembly	1
5B	1401-90	ES5 Food Pan	1	35	8451-52	Torsion Spring	1
6a	1401-61	ES5 Generator - 220V, 1500W	1	36	8450-19	3/8" Nylon Insert	1
6b	1401-63	ES5 Generator - 120V, 1800W	1	37	1404-80	Pump Handle Support	1
6c	1401-64	ES5 Generator - 120V, 1500W	1	38	1404-41	Manual Front Bottom - 1800 Watts	1
7	1401-30	ES5 Bulb Clamp	1	39	5622-00	Name Plate	2
8	1409-00	Stiffener	1				
9	8451-89	Plug Button HS51156-K1110	1				
10	1400-40	Shell Weldment	1				
11	1403-70	ES5 Power Cord-120V	1				
12	5616-90	Strain Relief	1				
13	1401-10	Rear Bottom	1				
14	1407-10	Water Pan Shell Weldment	1				
15	1406-50	Water Pan Slide Weldment	1				
16	5661-80	Aluminium Leg AR60T	4				
17	8450-25	Socket Tip	4				
18	1407-70	Leg Channel	1				
19	1402-10	Water Pan Rivetment	1				
20	1411-00	Water Pan Baffle Set	1				
21	8445-01	Cover Knob	1				
22	1408-90	Water Pan Front	1				
23	1400-20	Pump Handle Replacement Kit	1				
24	1403-90	Switch Panel - Manual - ES5M	1				
25	8484-76	Shorty Bush B-500-375	2				
26	8423-15	On/Off Rocker Switch	1				

The Following Are Not Shown							
1410-50	Insulation Kit (Sides, Back, Front & Bottom)	1					
1410-60	Electrical Wire Kit (less power cord)	1					
1412-41	Thermal Fuse Kit with Instructions	1					
1420-00	Spring bar	2					
1421-45	Back Hinge Kit (less spring bar & spring)	1					
8451-09	15/16" U Cups	2					
1420-40	ES5 Hinge Spring	2					

Accessories - Not Shown							
5608-71	TorPita Rack-Tortilla/Pita Rack w/ Handle						
5608-53	Mesh food Pan Grid w/ Separator						
5608-70	Three in 1 Basket Kit w/ Handle						
5608-72	1/2 Size Basket w/ Handle						
5608-73	Two of 1/4 Size Basket w/ Handle						
2070615	Egg Poacher 6 Cup						
2070610	Egg Poacher 4 Cup						
8450-62	Steam Generator Cleaning Brush						

ADJUSTABLE HINGE FOR 2-POSITION LID OPENING (60° OR 90° OPEN)

First construction January 29, 1990 (date code 0590). Steamers built before this date featured a 90° opening lid. Replacement parts for the early construction are no longer available. When replacing order Part Number 1421-45 ADJUSTABLE HINGE RETROFIT KIT.

#	Part #	Description	Qty
1	1421-40	Adjustable Upper Hinge	1
2	1421-51	Lid Stop Rivetment	1
3	1421-41	Upper Hinge Bar	1
4	1421-01	Adjustable Lower Hinge	1
5	8432-08	5/16" x 3/16" O-Ring	2
Not Shown - (Sold Separately)			
	1420-00	Spring bar	2
	1420-40	ES5 Hinge Spring	2

