

WIRING SYSTEM SECTION

WIRING SYSTEM

WI

This service manual has been prepared to provide SUBARU service personnel with the necessary information and data for the correct maintenance and repair of SUBARU vehicles.

This manual includes the procedures for maintenance, disassembling, reassembling, inspection and adjustment of components and diagnostics for guidance of experienced mechanics.

Please peruse and utilize this manual fully to ensure complete repair work for satisfying our customers by keeping their vehicle in optimum condition. When replacement of parts during repair work is needed, be sure to use SUBARU genuine parts.

All information, illustration and specifications contained in this manual are based on the latest product information available at the time of publication approval.

WIRING SYSTEM



	Page
1. Basic Diagnostics Procedure	3
2. Working Precautions	12
3. Power Supply Routing.....	13
4. Ground Distribution	27
5. Airbag System.....	48
6. Air Conditioning System.....	54
7. Anti-lock Brake System	66
8. A/T Control System	73
9. Audio System	93
10. Back-up Light System	97
11. Charging System.....	98
12. Clearance Light and Illumination Light System	99
13. Combination Meter	108
14. Cruise Control System	112
15. Door Lock System.....	118
16. Engine Electrical System	120
17. Front Accessory Power Supply System	160
18. Front Fog Light System.....	161
19. Fuel Gauge System	163
20. Full-Time Dual-Range System	165
21. Headlight Beam Leveler System.....	167
22. Headlight System	168
23. Headlight Washer System.....	170
24. Horn System	171
25. Immobilizer System.....	172
26. In Compartment Light System.....	176
27. Keyless Entry System	180
28. Oil Pressure and Temperature Gauge System	189
29. Outside Temperature Display System	191
30. Parking Brake and Brake Fluid Level Warning System	193
31. Power Window System	195
32. Radiator Fan System	203
33. Rear Accessory Power Supply System.....	204
34. Rear Differential Oil Temperature Warning System.....	205
35. Rear Fog Light System	206
36. Rear Window Defogger System.....	208
37. Remote Controlled Rearview Mirror System.....	210
38. Seat Belt Warning System	212
39. Seat Heater System	214
40. Security System	216
41. Starter System	218
42. Stop Light System	220
43. Sunroof System.....	221

44.	Turn Signal Light and Hazard Light System.....	222
45.	Wiper and Washer System (Front).....	226
46.	Wiper and Washer System (Rear)	227
47.	Wiper Deicer System	228
48.	Harness Components Location.....	229
49.	Front Wiring Harness	231
50.	Bulkhead Wiring Harness (In Engine Room)	235
51.	Bulkhead Wiring Harness (In Compartment)	243
52.	Engine Wiring Harness and Transmission Cord	251
53.	Instrument Panel Wiring Harness	255
54.	Rear Wiring Harness, Bulkhead Wiring Harness, Roof Cord and Fuel Tank Cord	259
55.	Door Cord.....	265
56.	Rear Wiring Harness and Rear Gate Cord	269

1. Basic Diagnostics Procedure

A: BASIC PROCEDURES

1. GENERAL

The most important purpose of diagnostics is to determine which part is malfunctioning quickly, to save time and labor.

2. IDENTIFICATION OF TROUBLE SYMPTOM

Determine what the problem is based on the symptom.

3. PROBABLE CAUSE OF TROUBLE

Look at the wiring diagram and check the system's circuit. Then check the switch, relay, fuse, ground, etc.

4. LOCATION AND REPAIR OF TROUBLE

- 1) Using the diagnostics narrow down the causes.
- 2) If necessary, use a voltmeter, ohmmeter, etc.
- 3) Before replacing certain component parts (switch, relay, etc.), check the power supply, ground, for open wiring harness, poor connectors, etc. If no problems are encountered, check the component parts.

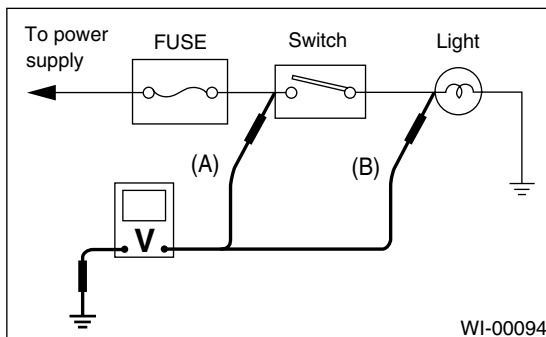
5. CONFIRMATION OF SYSTEM OPERATION

After repairing, ensure that the system operates properly.

B: BASIC INSPECTION

1. VOLTAGE MEASUREMENT

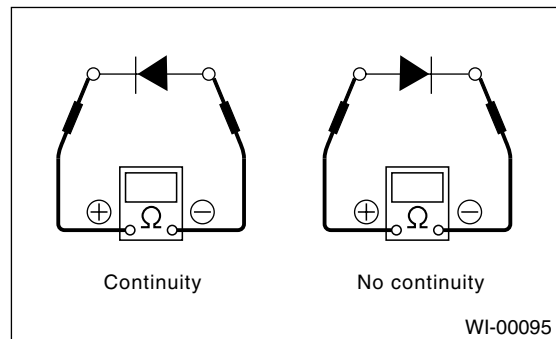
- 1) Using a voltmeter, connect the negative lead to a good ground point or negative battery terminal and the positive lead to the connector or component terminal.
- 2) Contact the positive probe of the voltmeter on connector (A).
- The voltmeter will indicate a voltage.
- 3) Shift the positive probe to connector (B). The voltmeter will indicate no voltage.



- 4) With test set-up held as it is, turn switch ON. The voltmeter will indicate a voltage and, at the same time, the light will come on.
- 5) The circuit is in good order. If a problem such as a lamp failing to light occurs, use the procedures outlined above to track down the malfunction.

2. CIRCUIT CONTINUITY CHECKS

- 1) Disconnect the battery terminal or connector so there is no voltage between the check points. Contact the two leads of an ohmmeter to each of the check points. If the circuit has diodes, reverse the two leads and check again.
- 2) Use an ohmmeter to check for diode continuity. When contacting the negative lead to the diode positive side and the positive lead to the negative side, there should be continuity. When contacting the two leads in reverse, there should be no continuity.



- 3) Symbol "○—○" indicates that continuity exists between two points or terminals. For example, when a switch position is "3", continuity exists among terminals 1, 3 and 6, as shown in table below.

Terminal Switch Position	1	2	3	4	5	6
OFF						
1	○—○				○—○	
2	○—○			○—○		○—○
3	○—○		○—○			○—○
4	○—○	○—○				○—○

WI-00096

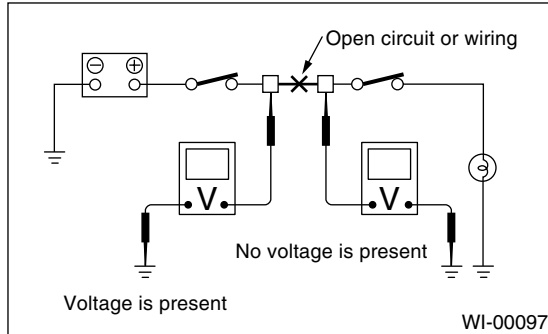
BASIC DIAGNOSTICS PROCEDURE

WIRING SYSTEM

3. HOW TO DETERMINE AN OPEN CIRCUIT

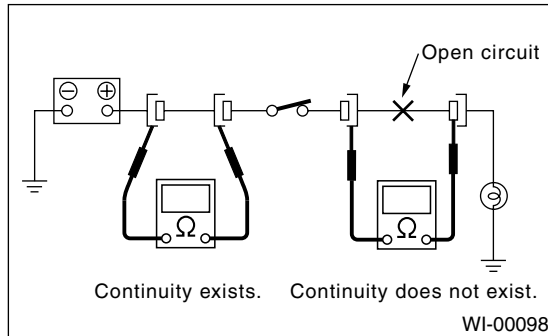
1) Voltmeter Method:

An open circuit is determined by measuring the voltage between respective connectors and ground using a voltmeter, starting with the connector closest to the power supply. The power supply must be turned ON so that current flows in the circuit. If voltage is not present between a particular connector and ground, the circuit between that connector and the previous connector is open.



2) Ohmmeter method:

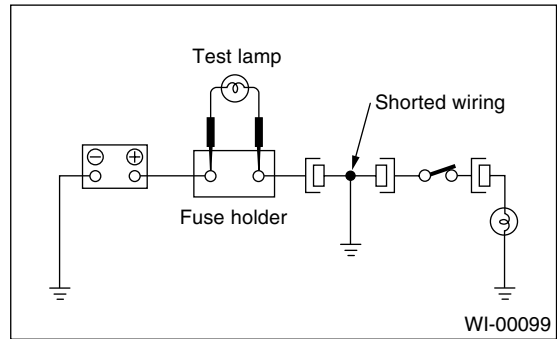
Disconnect all connectors affected, and check continuity in the wiring between adjacent connectors. When the ohmmeter indicates "infinite", the wiring is open.



4. HOW TO DETERMINE A SHORT CIRCUIT

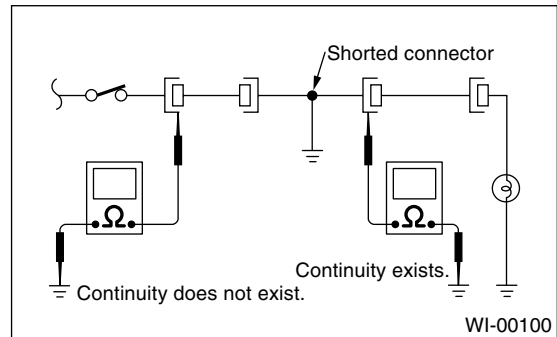
1) Test lamp method:

Connect a test lamp (rated at approximately 3 watts) in place of the blown fuse and allow current to flow through the circuit. Disconnect one connector at a time from the circuit, starting with the one located farthest from the power supply. If the test lamp goes out when a connector is disconnected, the wiring between that connection and the next connector (farther from the power supply) is shorted.



2) Ohmmeter method:

Disconnect all affected connectors, and check continuity between each connector and ground. When ohmmeter indicates continuity between a particular connector and ground, that connector is shorted.



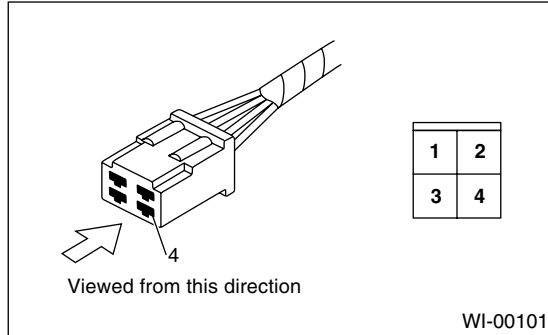
C: HOW TO READ WIRING DIAGRAMS

1. WIRING DIAGRAM

The wiring diagram of each system is illustrated so that you can understand the path through which the electric current flows from the battery.

Sketches and codes are used in the diagrams. They should read as follows:

- Each connector and its terminal position are indicated by a sketch of the connector in a disconnected state which is viewed from the front.



- The number of poles or pins, presence of a lock, and pin number of each terminal are indicated in the sketch of each connector. In the sketch, the highest pole number refers to the number of poles which the connector has. For example, the sketch of the connector shown in figure indicates the connector has 9 poles.

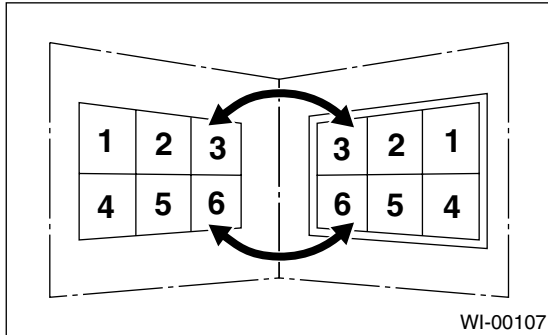
Connector used in vehicle	Connector shown in wiring diagram											
	Sketch	Symbol	Number of poles									
	<p>Double frames</p> <p>Indicates a lock is included.</p> <table border="1" style="margin: auto; text-align: center;"> <tr> <td>4</td><td>3</td><td>2</td><td>1</td> </tr> <tr> <td>9</td><td>8</td><td>7</td><td>6</td><td>5</td> </tr> </table> <p>Indicates the number of poles.</p>	4	3	2	1	9	8	7	6	5		<p>Numbered in order from upper right to lower left.</p>
4	3	2	1									
9	8	7	6	5								
	<p>Indicates a lock is included.</p> <table border="1" style="margin: auto; text-align: center;"> <tr> <td>1</td><td>2</td><td>3</td><td>4</td> </tr> <tr> <td>5</td><td>6</td><td>7</td><td>8</td><td>9</td> </tr> </table> <p>Single frame</p>	1	2	3	4	5	6	7	8	9		<p>Numbered in order from upper left to lower right</p>
1	2	3	4									
5	6	7	8	9								

WI-00102

BASIC DIAGNOSTICS PROCEDURE

WIRING SYSTEM

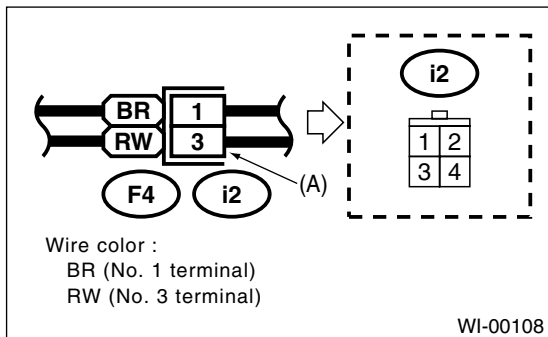
- When one set of connectors is viewed from the front side, the pole numbers of one connector are symmetrical to those of the other. When these two connectors are connected as a unit, the poles which have the same number are joined.



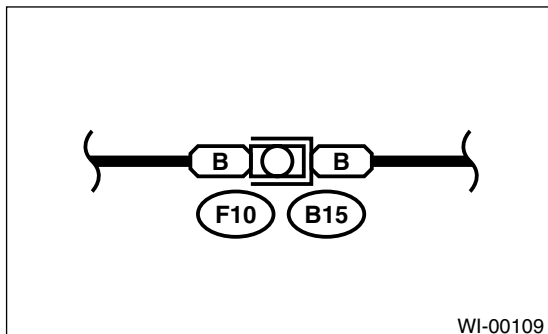
- Electrical wiring harness:**
The connectors are numbered along with the number of poles, external colors, and mating connections in the accompanying list.
- The sketch of each connector in the wiring diagram usually shows the (A) side of the connector. The relationship between the wire color, terminal number and connector is described in figure.

NOTE:

A wire which runs in one direction from a connector terminal sometimes may have a different color from that which runs in the other direction from that terminal.

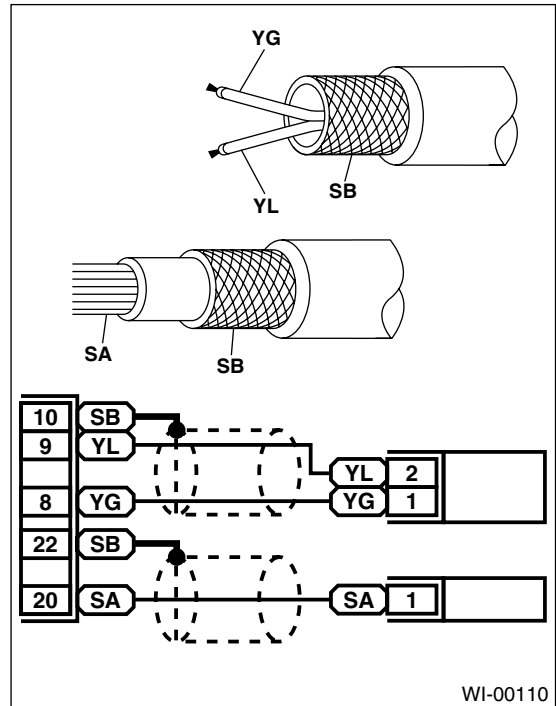


- In wiring diagram, connectors which have no terminal number refer to one-pole types. Sketches of these connectors are omitted intentionally.

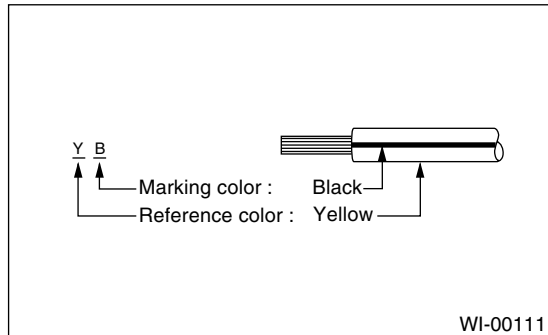


- The following color codes are used to indicate the colors of the wires used.

Color code	Color
L	Blue
B	Black
Y	Yellow
G	Green
R	Red
W	White
Br	Brown
Lg	Light green
Gr	Gray
P	Pink
Or	Orange
Lb	Light Blue
V	Violet
SA	Sealed (Inner)
SB	Sealed (Outer)



- The wire color code, which consists of two letters (or three letters including Br or Lg), indicates the standard color (base color of the wire covering) by its first letter and the stripe marking by its second letter.



- The table lists the nominal sectional areas and allowable currents of the wires.

CAUTION:

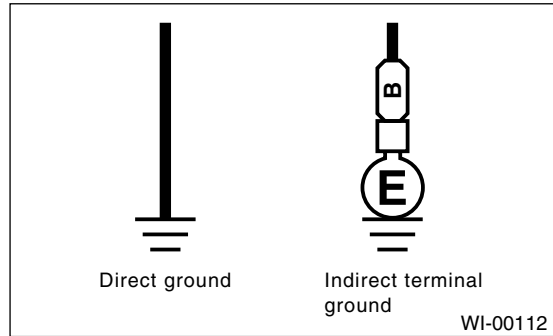
When replacing or repairing a wire, be sure to use the same size and type of the wire which was originally used.

NOTE:

- The allowable current in the table indicates the tolerable amperage of each wire at an ambient temperature of 40°C (104°F).
- The allowable current changes with ambient temperature. Also, it changes if a bundle of more than two wires is used.

Nominal sectional area mm ²	No. of strands/ strand diameter	Outside diameter of finished wiring mm	Allowable current Amps/ 40°C (104°F)
0.3	7/0.26	1.8	7
0.5	7/0.32	2.2 (or 2.0)	12
0.75	30/0.18	2.6 (or 2.4)	16
0.85	11/0.32	2.4 (or 2.2)	16
1.25	16/0.32	2.7 (or 2.5)	21
2	26/0.32	3.1 (or 2.9)	28
3	41/0.32	3.8 (or 3.6)	38
5	65/0.32	4.6 (or 4.4)	51
8	50/0.45	5.5	67

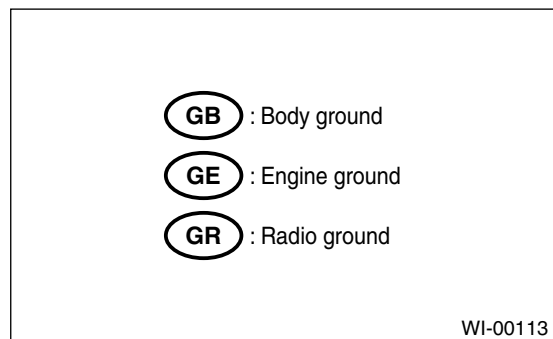
- Each unit is directly grounded to the body or indirectly grounds through a harness ground terminal. Different symbols are used in the wiring diagram to identify the two grounding systems.



- The ground points shown in the wiring diagram refer to the following:

NOTE:

All wiring harnesses are provided with a ground point which should be securely connected.

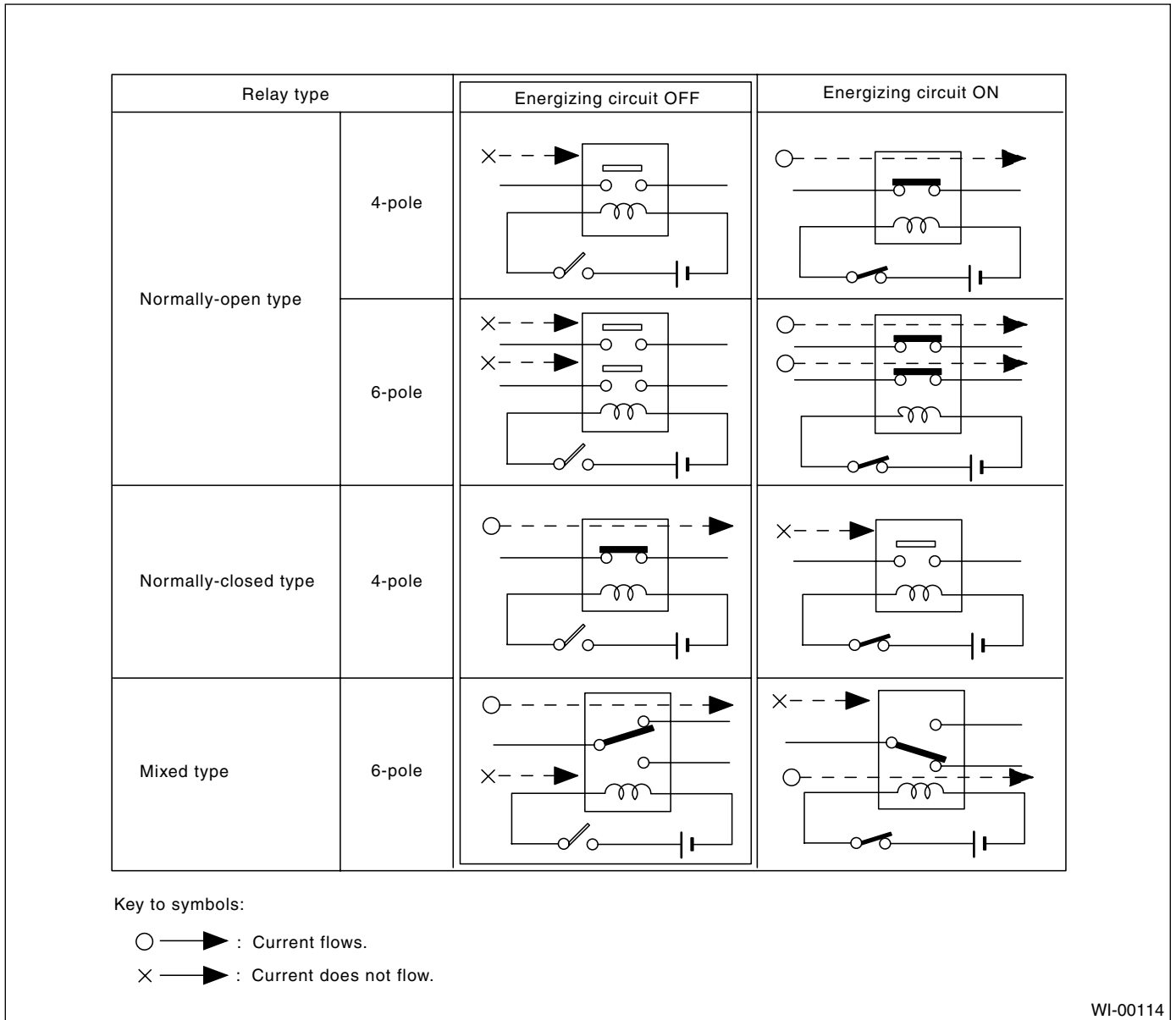


BASIC DIAGNOSTICS PROCEDURE

WIRING SYSTEM

- Relays are classified as normally-open or normally-closed. The normally-closed relay has one or more contacts.

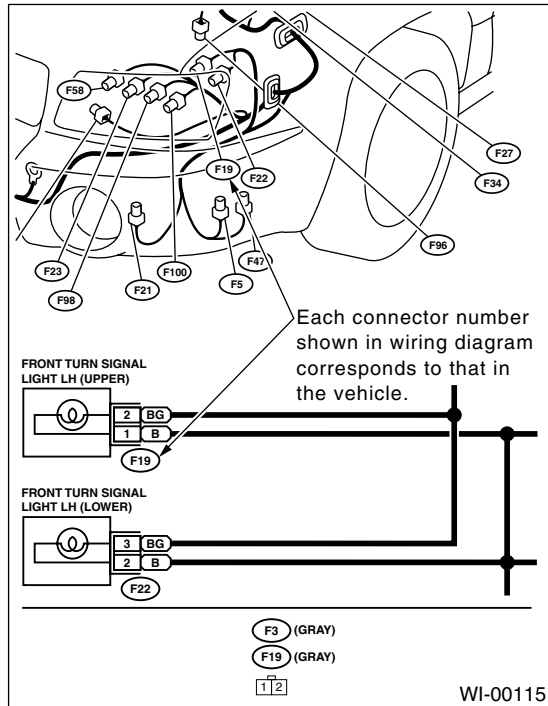
The wiring diagram shows the relay mode when the energizing circuit is OFF.



WI-00114

- Each connector number shown in the wiring diagram corresponds to that in the wiring harness. The location of each connector in the actual vehicle is determined by reading the first character of the connector (for example, a “F” for F8, “i” for i16, etc.) and the type of wiring harness. The first character of each connector number refers to the area or system of the vehicle.

Symbol	Wiring harness and cord
F	Front wiring harness
B	Bulkhead wiring harness
E	Engine wiring harness
T	Transmission cord
D	Door cord LH & RH, Rear door cord LH & RH
i	Instrument panel wiring harness
R	Rear wiring harness, Fuel tank cord, Roof cord, Rear gate cord

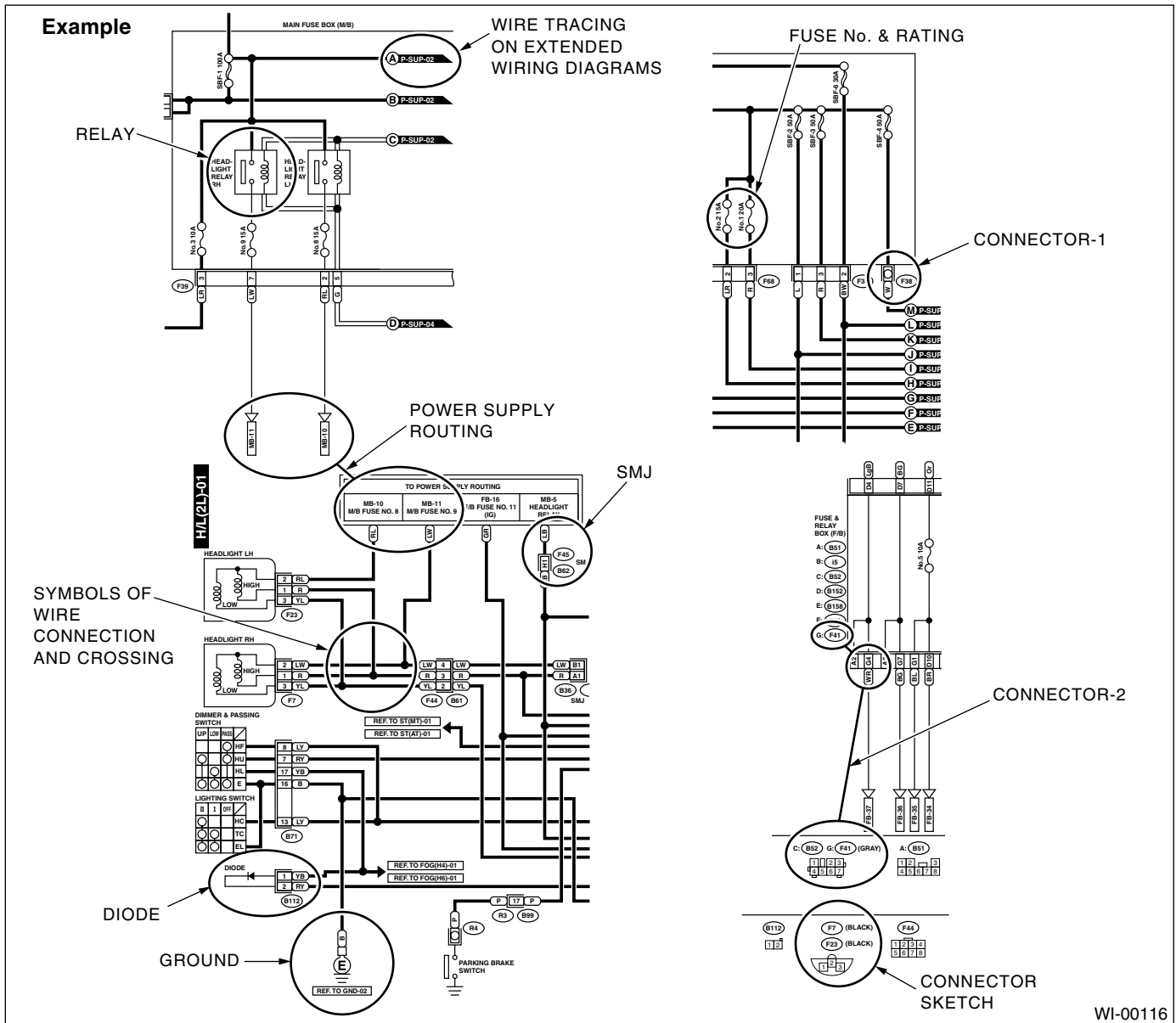


BASIC DIAGNOSTICS PROCEDURE

WIRING SYSTEM

D: SYMBOLS IN WIRING DIAGRAMS

A number of symbols are used in each wiring diagram to easily identify parts or circuits.



WI-00116

1. RELAY

A symbol used to indicate a relay.

2. CONNECTOR-1

The sketch of the connector indicates the one-pole types.

3. WIRING CONNECTION

Some wiring diagrams are indicated in foldouts for convenience. Wiring destinations are indicated where necessary by corresponding symbols (as when two pages are needed for clear indication).

4. FUSE NO. & RATING

The "FUSE No. & RATING" corresponds with that used in the fuse box (main fuse box, fuse and joint box).

5. CONNECTOR-2

- Each connector is indicated by a symbol.
- Each terminal number is indicated in the corresponding wiring diagram in an abbreviated form.
- For example, terminal number "C2" refers to No. 2 terminal of connector (C: F41) shown in the connector sketch.

6. CONNECTOR SKETCH

- Each connector sketch clearly identifies the shape and color of a connector as well as terminal locations. Non-colored connectors are indicated in natural color.
- When more than two types of connector number are indicated in a connector sketch, it means that the same type connectors are used.

7. GROUND

Each grounding point can be located easily by referring to the corresponding wiring harness.

8. DIODE

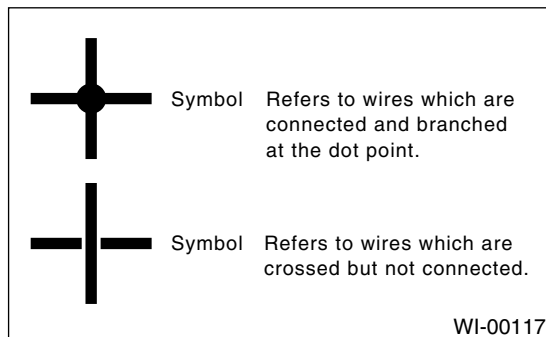
A symbol is used to indicate a diode.

9. WIRE TRACING ON EXTENDED WIRING DIAGRAMS

For a wiring diagram extending over at least two pages, a symbol (consisting of the same characters with arrows), facilitates wire tracing from one page to the next.

A ↔ A, B ↔ B

10. SYMBOLS OF WIRE CONNECTION AND CROSSING



11. POWER SUPPLY ROUTING

A symbol is used to indicate the power supply in each wiring diagram.

“MB-5”, “MB-6”, etc., which are used as power-supply symbols throughout the text, correspond with those shown in the POWER SUPPLY ROUTING in the wiring diagram.

Accordingly, using the POWER SUPPLY ROUTING and wiring diagrams permits service personnel to understand the entire electrical arrangement of a system.

12. CLASSIFICATION BY SPECIFICATION

When the wiring diagrams differ according to vehicle specifications, the specification difference is described by using abbreviations.

Destination difference is described by using option codes. (EK, KA, etc.)

Option code is described on model number plate attached in engine compartment of the vehicle. <Ref. to ID-5, MODEL NUMBER PLATE, IDENTIFICATION, Identification.>

E: ABBREVIATION IN WIRING DIAGRAMS

Abbr.	Full name
ABS	Antilock Brake System
ACC	Accessory
A/C	Air Conditioning
AD	Auto Down
AT	Automatic Transmission
AU	Auto Up
A/B	Air Bag
A/F	Air Fuel
ATF	Automatic Transmission Fluid
AWD	All Wheel Drive
B	Battery
D	Drive Range
DN	Down
E	Ground
EBD	Electronic Brake Distribution
ELR	Emergency Locking Retractor
F/B	Fuse & Joint Box
FL1.5	Fusible Link 1.5 mm ²
H/L	Headlight
I/F	Interface
IG	Ignition
Illumi.	Illumination
INT	Intermittent
L/C	Low Clutch
LCD	Liquid Crystal Display
LH	Left Hand
Lo	Low
M	Motor
M/B	Main Fuse Box
MG	Magnet
Mi	Middle
MT	Manual Transmission
N	Neutral Range
OP	Optional Parts
P	Parking Range
PASS	Passing
R	Reverse Range
RH	Right Hand
SBF	Slow Blow Fuse
ST	Starter
SW	Switch
TGV	Tumble Generation Valve
UP	Up
WASH	Washer

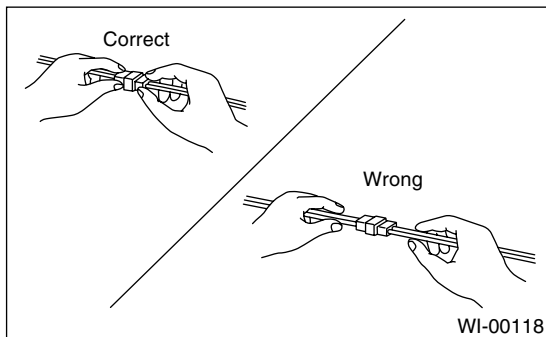
2. Working Precautions

A: PRECAUTIONS WHEN WORKING WITH THE PARTS MOUNTED ON THE VEHICLE

- 1) When working under a vehicle which is jacked-up, always be sure to use safety stands.
- 2) The parking brake must always be applied during working. Also, in automatic transmission vehicles, keep the select lever set to the P (Parking) range.
- 3) Be sure the workshop is properly ventilated when running the engine. Further, be careful not to touch the belt or fan while the engine is operating.
- 4) Be careful not to touch hot metal parts, especially the radiator and exhaust system immediately after the engine has been shut off.

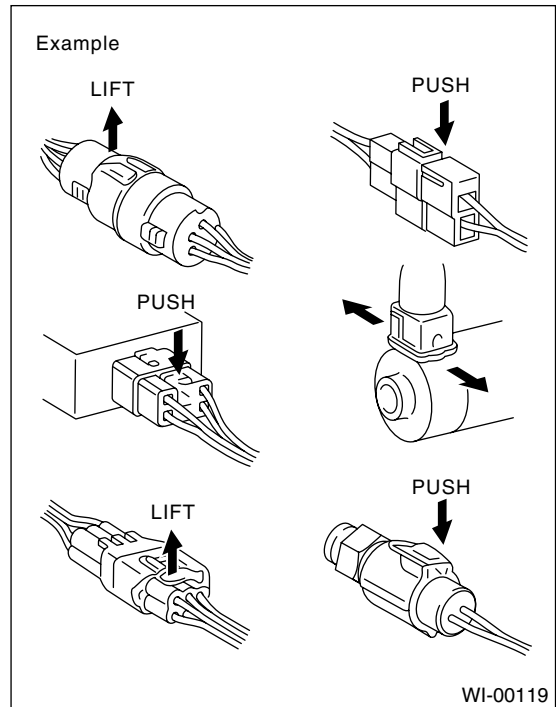
B: PRECAUTIONS IN TROUBLE DIAGNOSIS AND REPAIR OF ELECTRIC PARTS

- 1) The battery cable must be disconnected from the battery's (-) terminal, and the ignition switch must be set to the OFF position, unless otherwise required by the diagnostics.
- 2) Securely fasten the wiring harness with clamps and slips so that the harness does not interfere with the body end parts or edges and bolts or screws.
- 3) When installing parts, be careful not to catch them on the wiring harness.
- 4) When disconnecting a connector, do not pull the wires, but pull while holding the connector body.



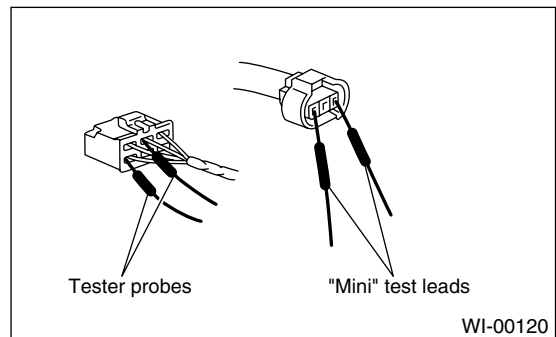
- 5) Some connectors are provided with a lock. One type of such a connector is disconnected by pushing the lock, and the other, by moving the lock up. In either type the lock shape must be identified before attempting to disconnect the connector.

To connect, insert the connector until it snaps and confirm that it is tightly connected.



- 6) When checking continuity between connector terminals, or measuring voltage across the terminal and ground, always contact tester probe(s) on terminals from the wiring connection side. If the probe is too thick to gain access to the terminal, use "mini" test leads.

To check waterproof connectors (which are not accessible from the wiring side), contact test probes on the terminal side being careful not to bend or damage the terminals.



- 7) Sensors, relays, electrical unit, etc., are sensitive to strong impacts. Handle them with care so that they are not dropped or mishandled.

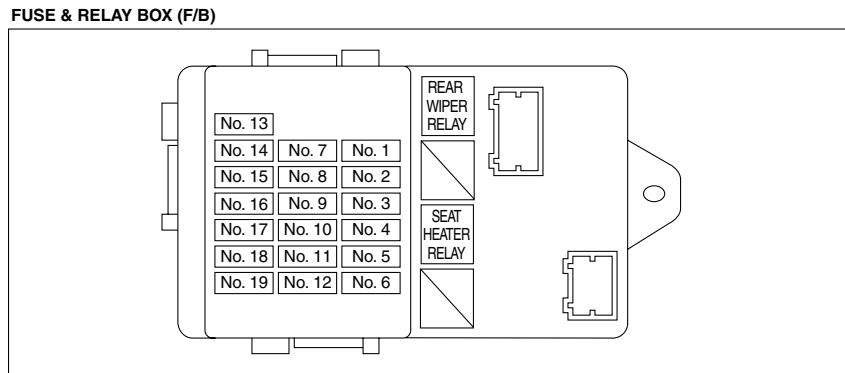
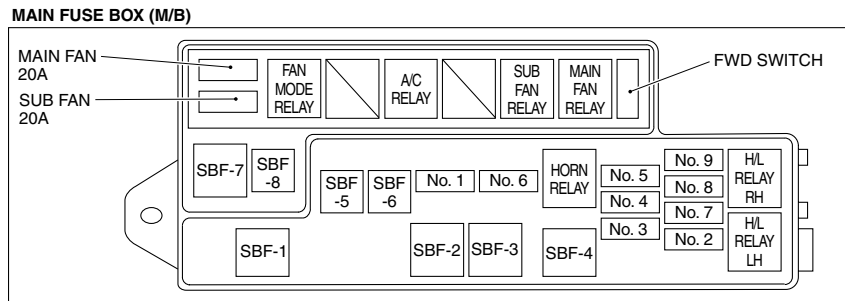
3. Power Supply Routing

A: SCHEMATIC

1. LHD MODEL

P-SUP(L)-01

P-SUP(L)-01

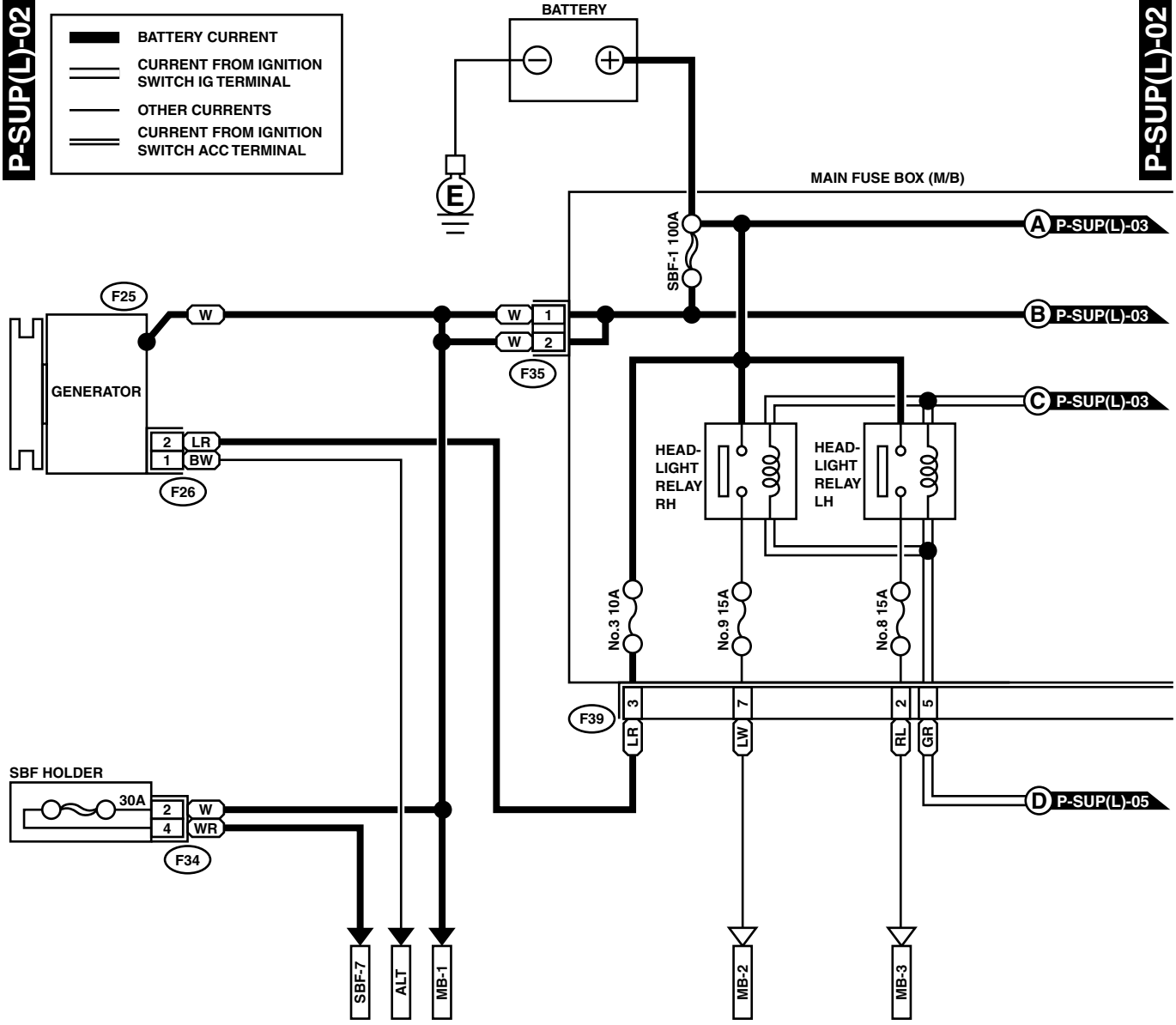
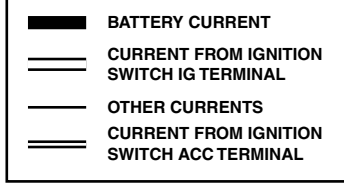


POWER SUPPLY ROUTING

WIRING SYSTEM

P-SUP(L)-02

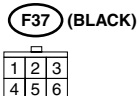
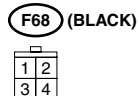
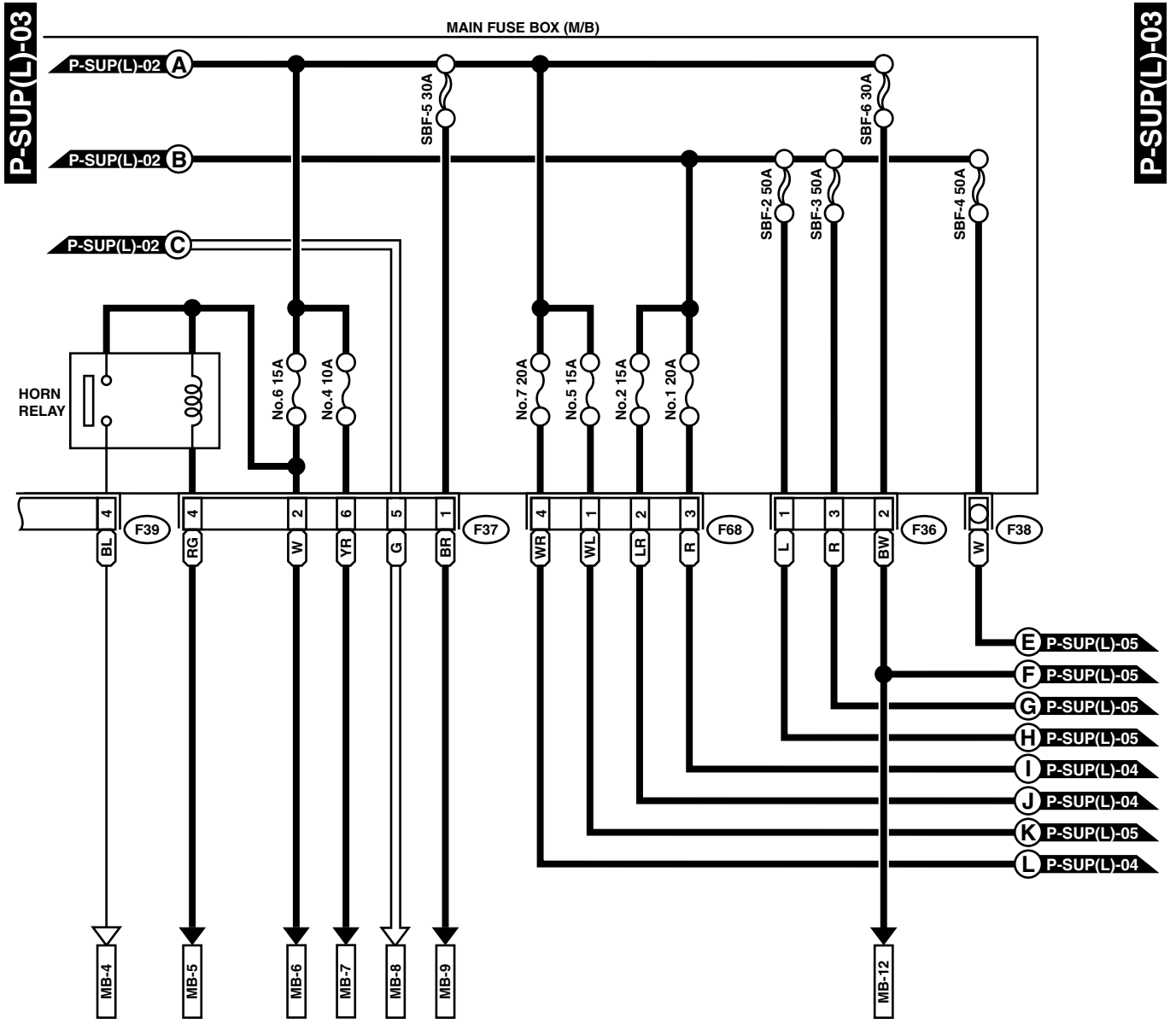
P-SUP(L)-02



WI-00225

POWER SUPPLY ROUTING

WIRING SYSTEM



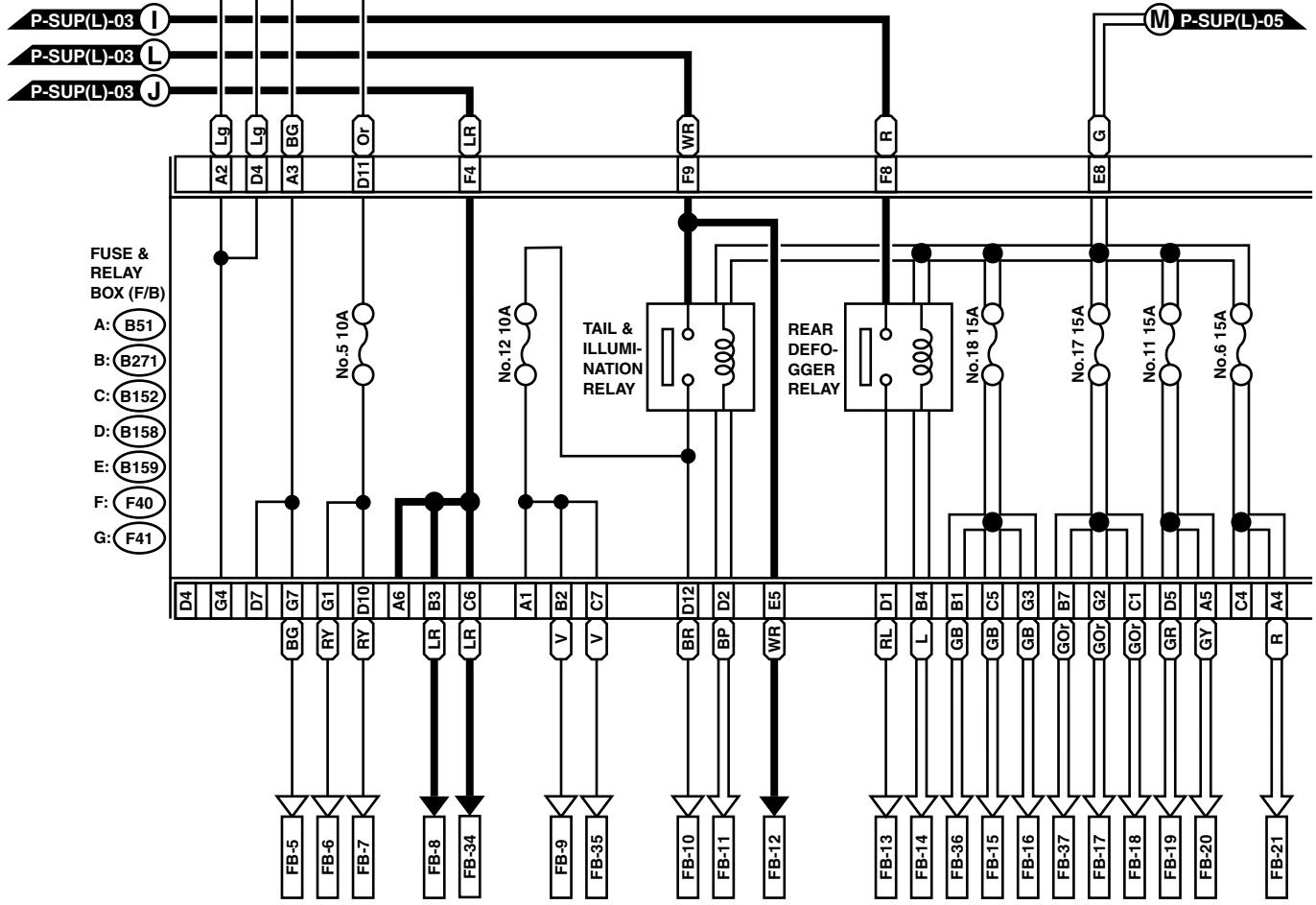
WI-00226

POWER SUPPLY ROUTING

WIRING SYSTEM

P-SUP(L)-04

P-SUP(L)-04



C: (B152)

A: (B51) (BLUE)

F: (F40) (BROWN)

E: (B159) (GRAY)

B: (B271) (BLUE)

G: (F41) (GRAY)

1	2	3
4	5	6
7	8	9

1	2	3	4
5	6	7	8
9			

1	2	3	4	5
6	7	8	9	10

D: (B158)

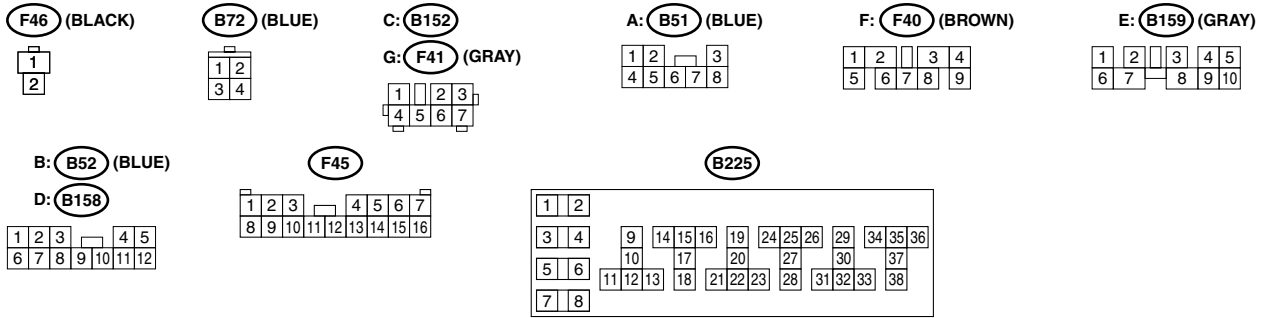
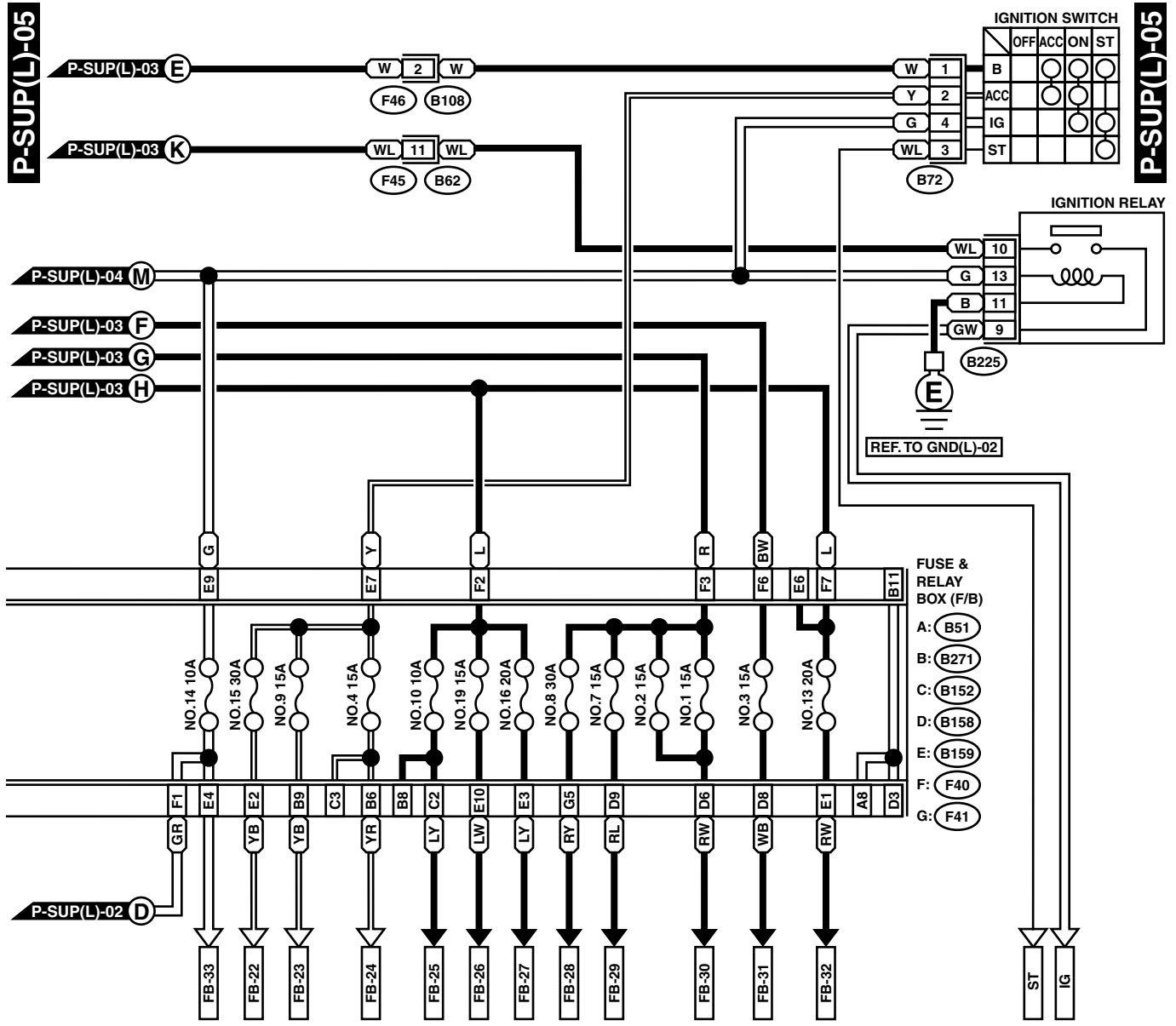
1	2	3	4	5
6	7	8	9	10
11	12			

1	2	3
4	5	6
7		

WI-00227

POWER SUPPLY ROUTING

WIRING SYSTEM



WI-00228

POWER SUPPLY ROUTING

WIRING SYSTEM

No.	Load
MB-1	A/C relay holder
MB-2	Headlight RH
	Combination meter
MB-3	Headlight LH
MB-4	Horn
MB-5	Horn switch
MB-6	Hazard switch
	Keyless entry control module
	Key warning switch
MB-7	Transmission control module (AT)
MB-8	Diode (With passing)
	Lighting switch
MB-9	Data link connector
	Engine control module
	Fuel pump relay
	Ignition relay
MB-12	Immobilizer control module
	Headlight washer module
	Power window circuit breaker
SBF-7	ABS control module
ALT-1	Combination meter
IG	Check connector
	Hazard switch
	Headlight washer switch
	Ignition relay-2
	OP connector
	Power window relay
	Vehicle speed sensor (MT)
ST	Cruise control module
	Engine control module
	Key switch
	Inhibitor switch (AT)
	Starter motor (AT)
FB-1	ABS condenser
	Break fluid level warning switch
	Combination meter
	OP connector
	Parking switch
FB-2	Combination meter
	Keyless entry control module
	Hazard switch
	Rear combination light LH
	Turn signal switch
	Trailer connector
FB-3	Parking switch
FB-5	Side turn signal light LH
	Front turn signal light LH
FB-6	Front clearance light LH
	Front clearance light RH
	Headlight leveler LH
	Headlight leveler RH

No.	Load
FB-7	License plate light
	Trailer connector
FB-8	A-A/C control module
	Audio
	Clock
	Combination meter
	Luggage room light
	Room light
FB-9	Spot light
	Trailer connector
	Audio
	CD illumination light
FB-10	Combination meter
	Glove box illumination light (Turbo model)
	Parking switch
FB-11	Engine control module
	Lighting switch
FB-12	Parking switch
FB-13	A-A/C control module
	A/C switch
	Rear defogger
FB-14	Rear defogger timer
FB-15	Back-up light switch (NA/MT model)
	Belt & key warning module (NA model)
	Cruise control module
	Cruise control switch
	Inhibitor switch (AT)
FB-16	Main fan relay-1
	Air conditioner relay
FB-17	Main fan relay-2
	Sub fan relay
	A/C pressure switch
FB-18	F/C actuator
	Rear defogger timer
	Wiper deicer relay
FB-19	Fuel pump relay
	Engine control module
	Ignition coil & ignitor
	Transmission control module (AT)
FB-20	Immobilizer control module
	Airbag control module
FB-21	Airbag control module
FB-22	Front washer motor
	Front wiper motor
	Wiper & washer switch
FB-23	Audio
	Clock

POWER SUPPLY ROUTING

WIRING SYSTEM

No.	Load
FB-24	Seat heater relay
	Rear accessory power supply socket relay
	Front accessory power supply socket
	OP connector
	Remote control rearview mirror switch
FB-25	Rear fog light relay
FB-26	Rear accessory power supply socket relay
FB-27	Stop light switch
FB-28	ABS control module
FB-29	Front fog light relay
FB-30	Blower motor relay
FB-31	Keyless entry control module
	OP connector
FB-32	Wiper deicer & mirror heater relay
FB-33	Combination meter
FB-34	Keyless entry control module
	Key illumination light
FB-35	AT power & hold mode switch
	AT select lever illumination light
	Cruise control switch
	Front accessory power supply socket
	Front fog light relay
	Front fog light switch
	Headlight leveler switch
	Headlight washer switch
	Lighting switch
	OP connector
	Rear fog light relay
	Rear fog light switch
	Wiper deicer switch
FB-36	ABS control module
	Wiper deicer & mirror heater relay
FB-37	A/C switch
	Blower motor relay
	A-A/C control module
FB-38	ABS control module

POWER SUPPLY ROUTING

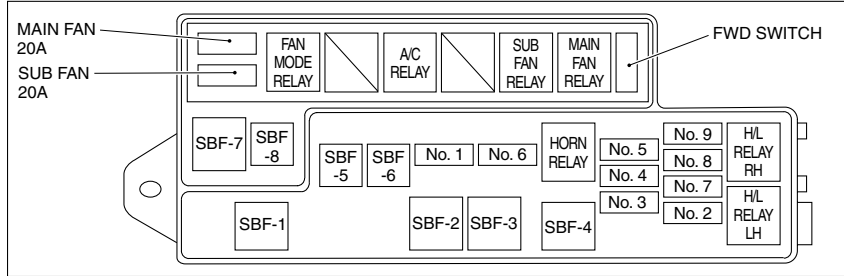
WIRING SYSTEM

2. RHD MODEL

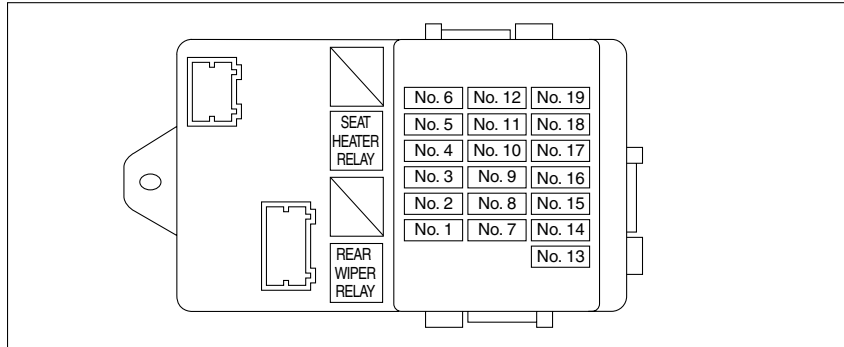
P-SUP(R)-01

P-SUP(R)-01

MAIN FUSE BOX (M/B)



FUSE & RELAY BOX (F/B)

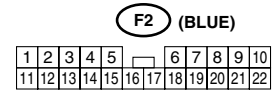
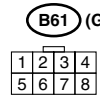
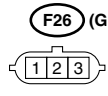
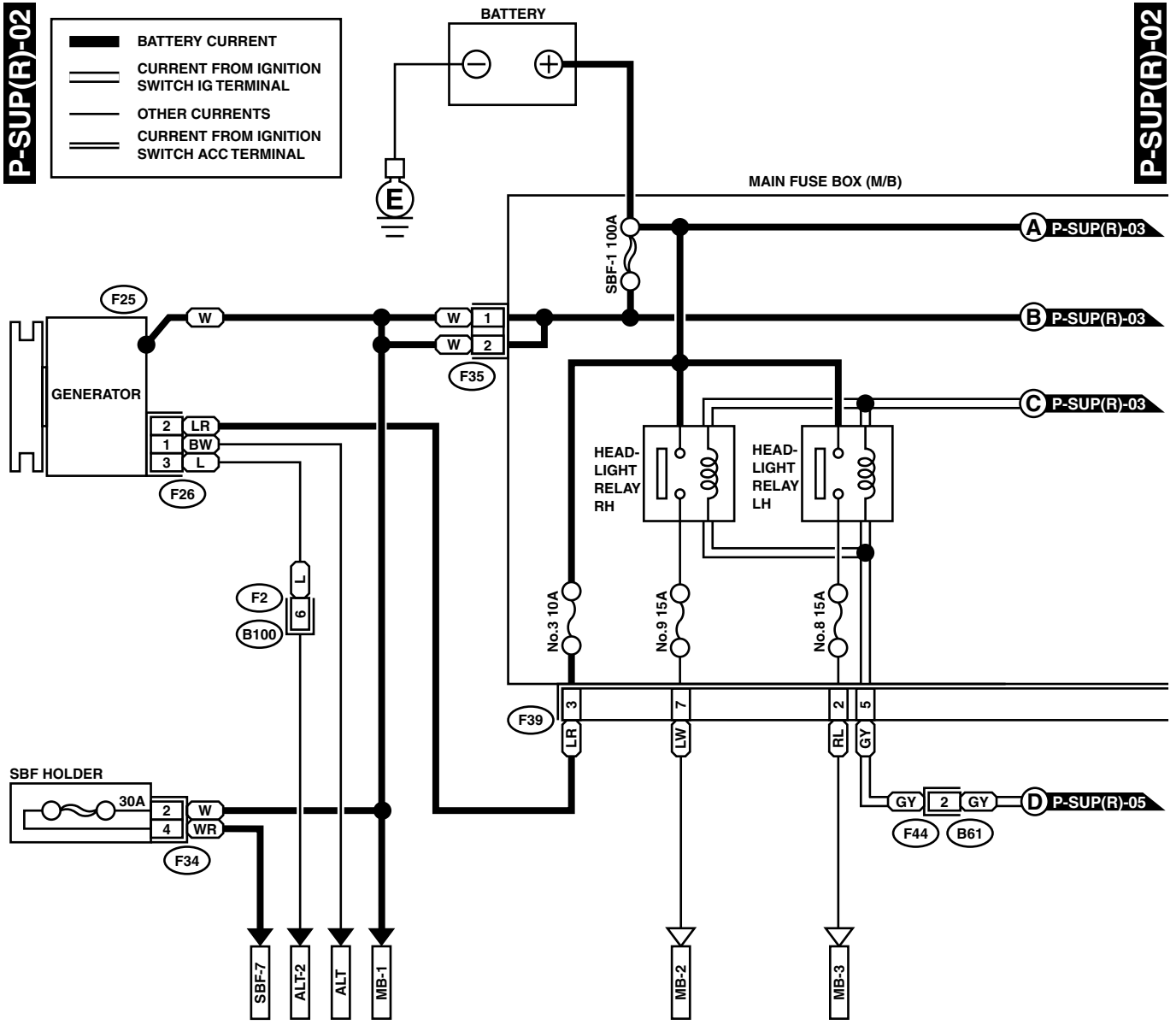
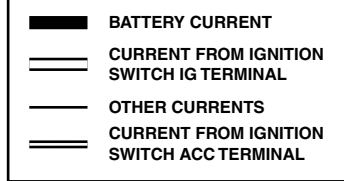


POWER SUPPLY ROUTING

WIRING SYSTEM

P-SUP(R)-02

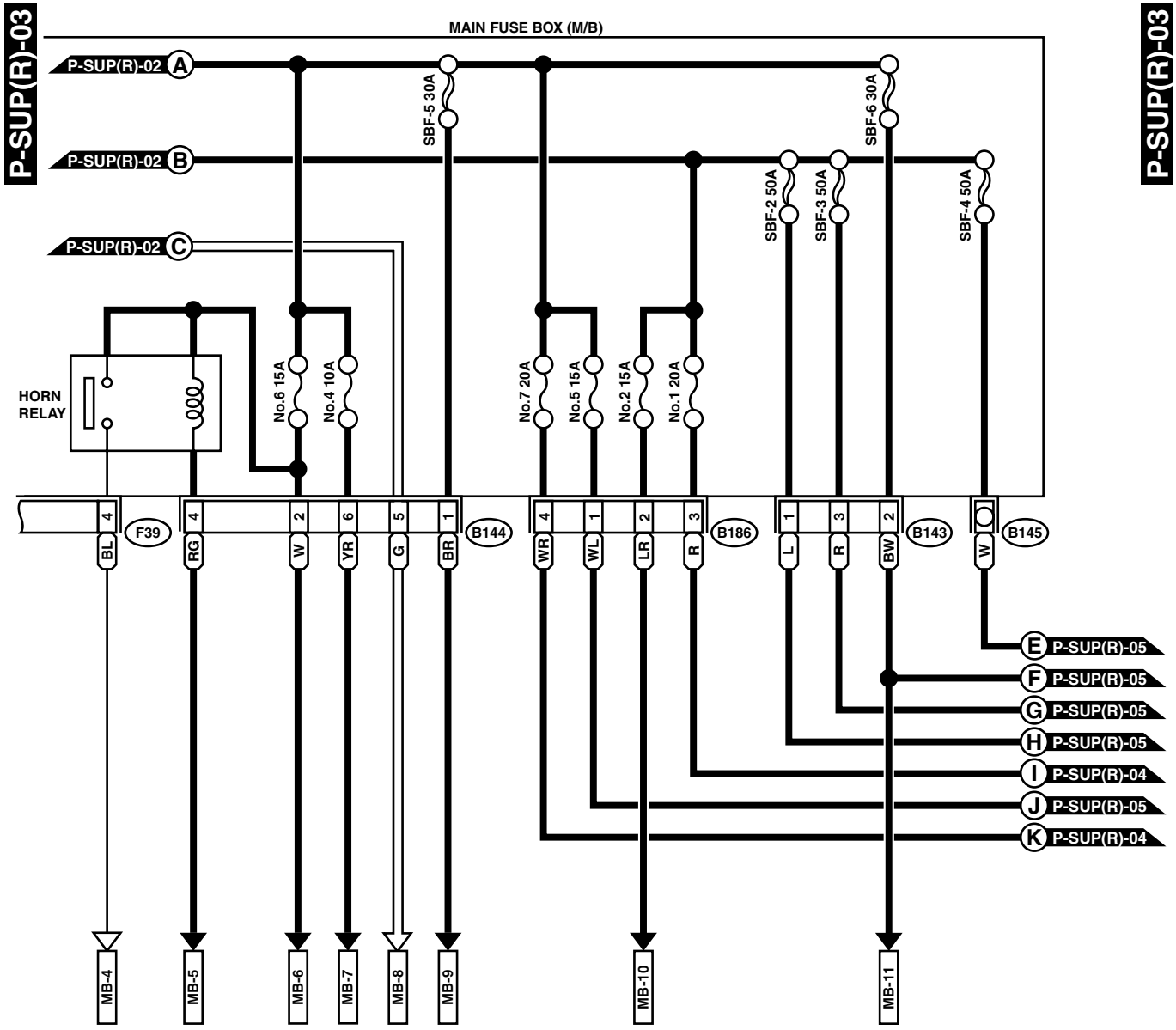
P-SUP(R)-02



WI-00230

POWER SUPPLY ROUTING

WIRING SYSTEM

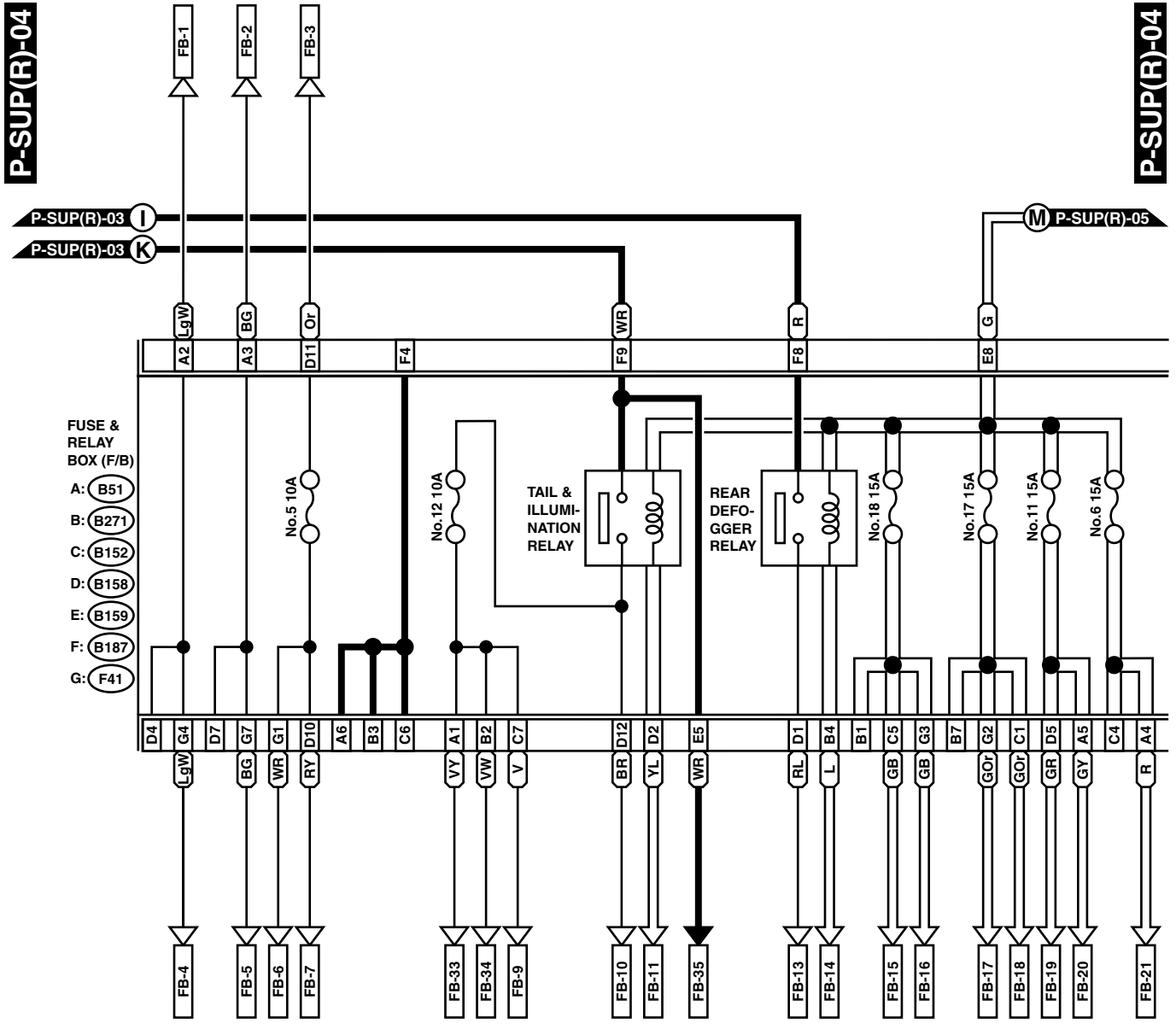


B143	B186 (BLACK)	B144 (BLACK)	F39 (BLACK)
1 2 3	1 2 3 4	1 2 3 4 5 6	1 2 3 4 5 6 7 8

WI-00231

POWER SUPPLY ROUTING

WIRING SYSTEM



C: (B152)

G: (F41) (GRAY)

1	2	3
4	5	6

A: (B51) (BLUE)

1	2	3
4	5	6

F: (B187) (BROWN)

1	2	3	4
5	6	7	8

E: (B159) (GRAY)

1	2	3	4	5
6	7	8	9	10

B: (B271) (BLUE)

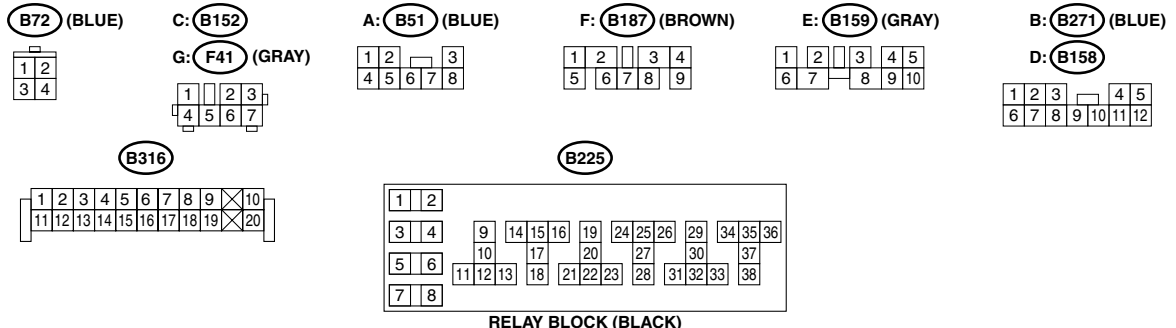
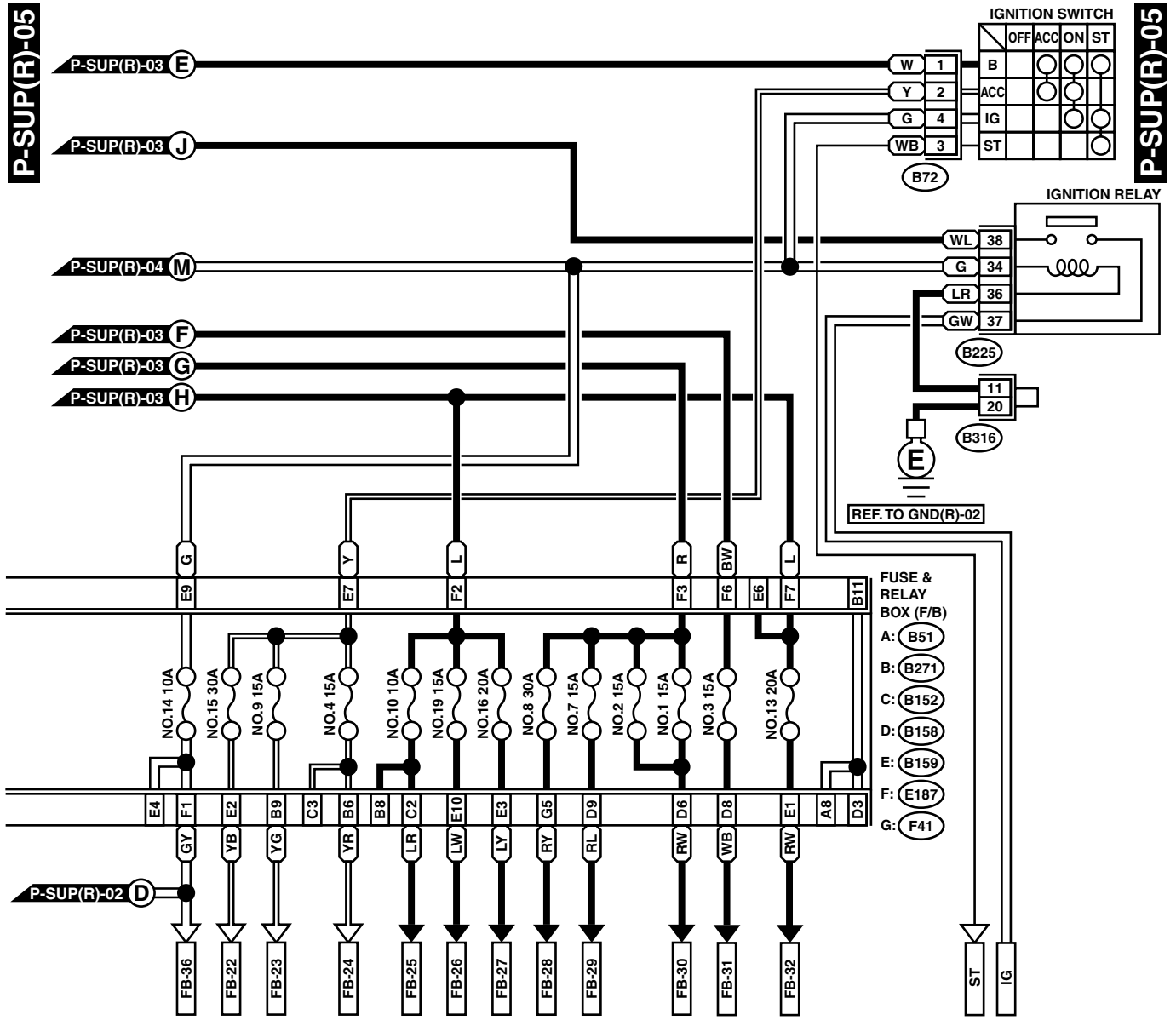
D: (B158)

1	2	3	4	5
6	7	8	9	10

WI-00232

POWER SUPPLY ROUTING

WIRING SYSTEM



WI-00233

POWER SUPPLY ROUTING

WIRING SYSTEM

No.	Load
MB-1	A/C relay holder
MB-2	Combination meter
	Headlight RH
MB-3	Headlight LH
MB-4	Horn
MB-5	Horn switch
MB-6	Hazard switch
	Keyless entry control module
	Key warning switch
MB-7	Transmission control module (AT)
MB-8	Diode (With rear fog light)
	Lighting switch
MB-9	Data link connector
	Engine control module
	Fuel pump relay
	Immobilizer control module
	Ignition relay
MB-10	Audio
	Clock
	Combination meter
	Key illumination light
	Keyless entry control module
	Luggage room light
	Double lock control module
	Room light
	Security relay
	Spot light
	Trailer connector
MB-11	Headlight washer module
	Power window circuit breaker
SBF-7	ABS control module
ALT-1	Combination meter
ALT-2	Engine control module
IG	Check connector
	Headlight washer switch
	Hazard switch
	Ignition relay-2
	Option connector
	Power window relay
	Vehicle speed sensor (MT)
ST	Cruise control module
	Engine control module
	Inhibitor switch (AT)
	Key switch
	Security relay
	Starter motor (AT)

No.	Load
FB-1	Combination meter
	Hazard switch
	Keyless entry control module
	Lighting switch
	Rear combination light LH
	Trailer connector
	Turn signal switch
FB-2	Combination meter
	Front turn signal light LH
	Hazard switch
	Keyless entry control module
	Lighting switch
	Rear combination light LH
	Rear combination light RH
	Side turn signal light LH
Trailer connector	
Turn signal switch	
FB-3	Parking switch
FB-4	Side turn signal light RH
	Front turn signal light RH
FB-5	Front turn signal light LH
FB-6	Front clearance light LH
	Front clearance light RH
	Headlight leveler LH
	Headlight leveler RH
FB-7	License plate light
	Trailer connector
	Rear combination light LH
	Rear combination light RH
FB-9	Audio
	Combination meter
	Front accessory power supply socket
	Front fog light switch
	Hazard switch
FB-10	Option connector
	Wiper deicer switch
FB-10	Parking switch
FB-11	Lighting switch
FB-13	Rear defogger
FB-14	Rear defogger timer
	Double lock control module
FB-15	Cruise control module
	Cruise control switch
	Inhibitor switch (AT)
	Wiper deicer relay
	Wiper deicer switch
FB-16	ABS control module
	A/C relay holder
FB-17	A/C pressure switch
	A/C relay holder
	Air conditioner relay

POWER SUPPLY ROUTING

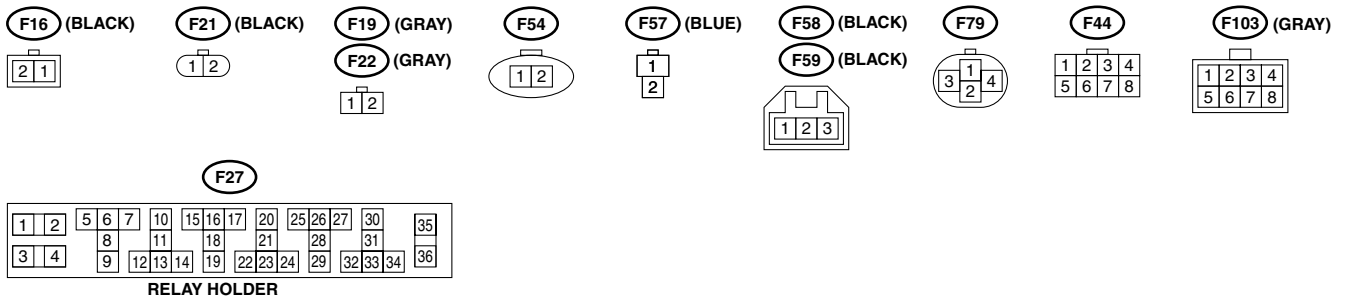
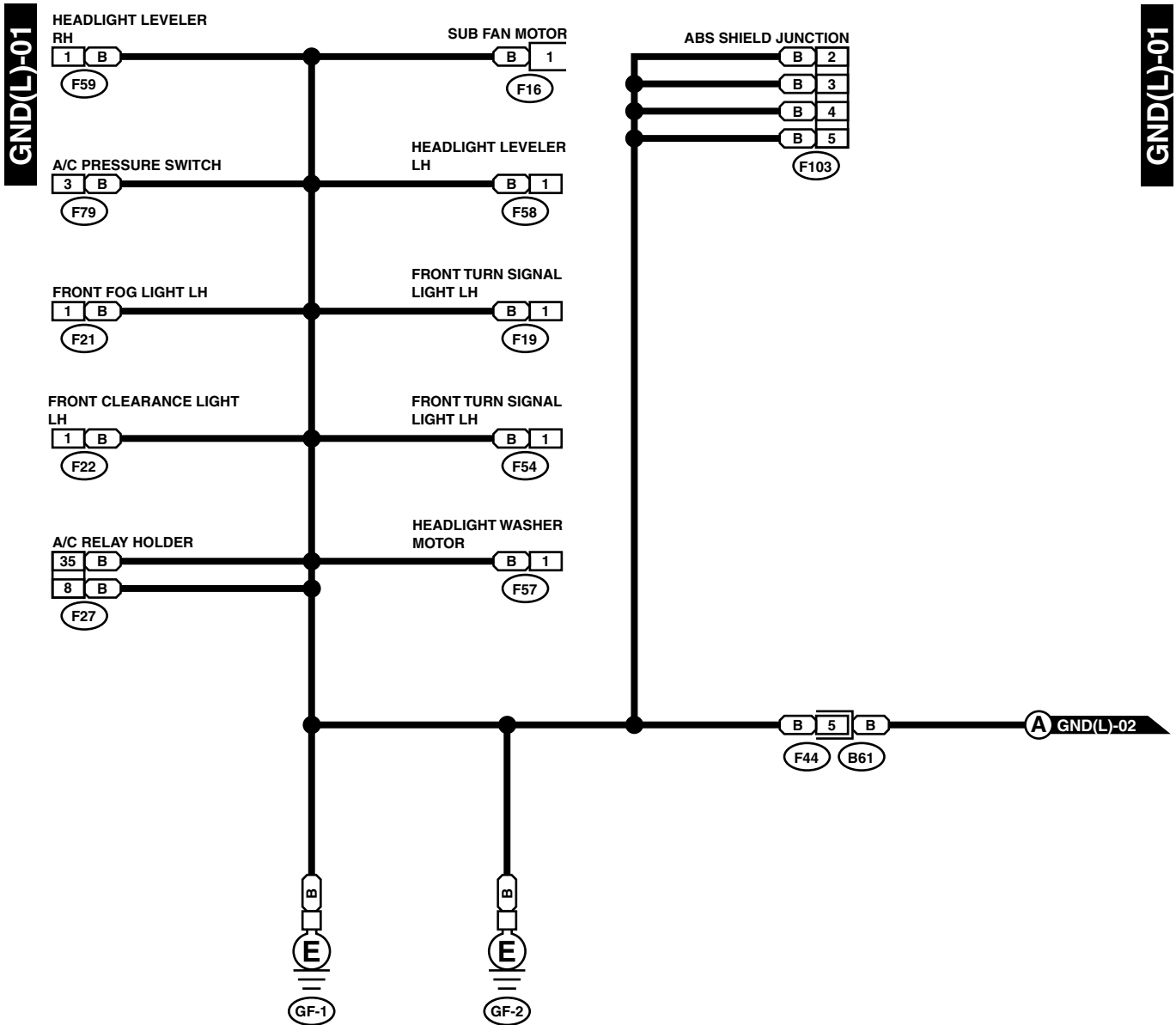
WIRING SYSTEM

No.	Load
FB-18	A-A/C control module
	A/C & Rear defogger switch
	Blower motor relay
	Double lock control module (Turbo model)
	F/C actuator
	Rear defogger timer
FB-19	A/T control module
	Fuel pump relay
	Engine control module
	Immobilizer module
	Security control module
FB-20	Airbag control module
FB-21	Airbag control module
FB-22	Front washer motor
	Front wiper motor
	Wiper switch
FB-23	Audio
	Clock
FB-24	Front accessory power supply socket
	OP connector
	Rear accessory power supply relay
	Remote control rearview mirror switch
	Seat heater relay
FB-25	Rear fog light relay
FB-26	Rear accessory power supply relay
FB-27	Stop light switch
FB-28	ABS control module
FB-29	Front fog light relay
FB-30	Blower motor relay
FB-31	Double lock control module
	Keyless entry control module
FB-32	Wiper deicer relay
FB-33	Cruise control main switch
	Front fog light switch
	Front fog light relay
	Glove box illumination light
	Headlight washer switch
	Headlight leveler switch
	Illumination control module
	Lighting switch
	Rear fog light relay
FB-34	AT power & hold mode switch
	AT select lever illumination light
FB-35	Parking switch
FB-36	Combination meter

4. Ground Distribution

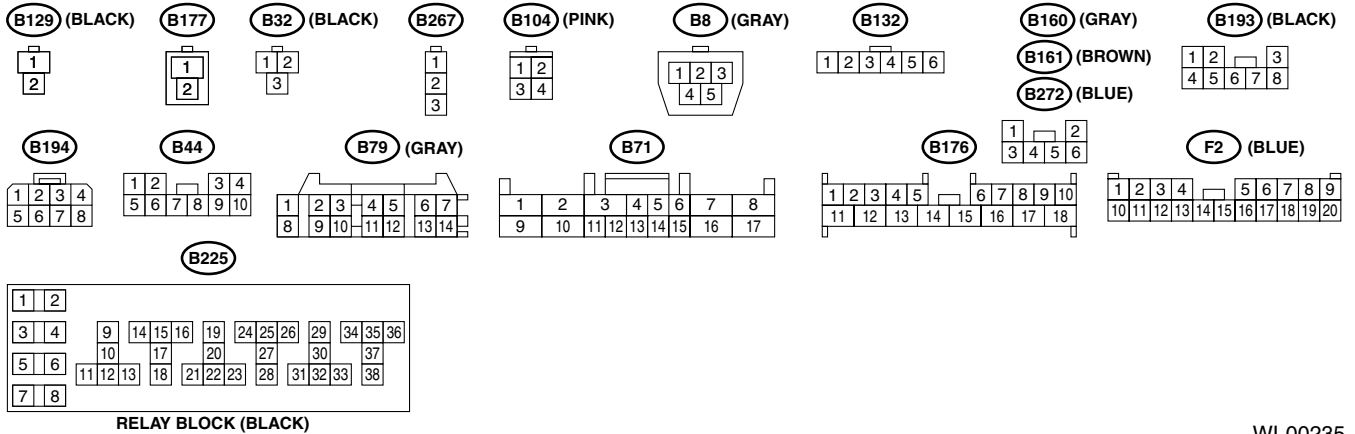
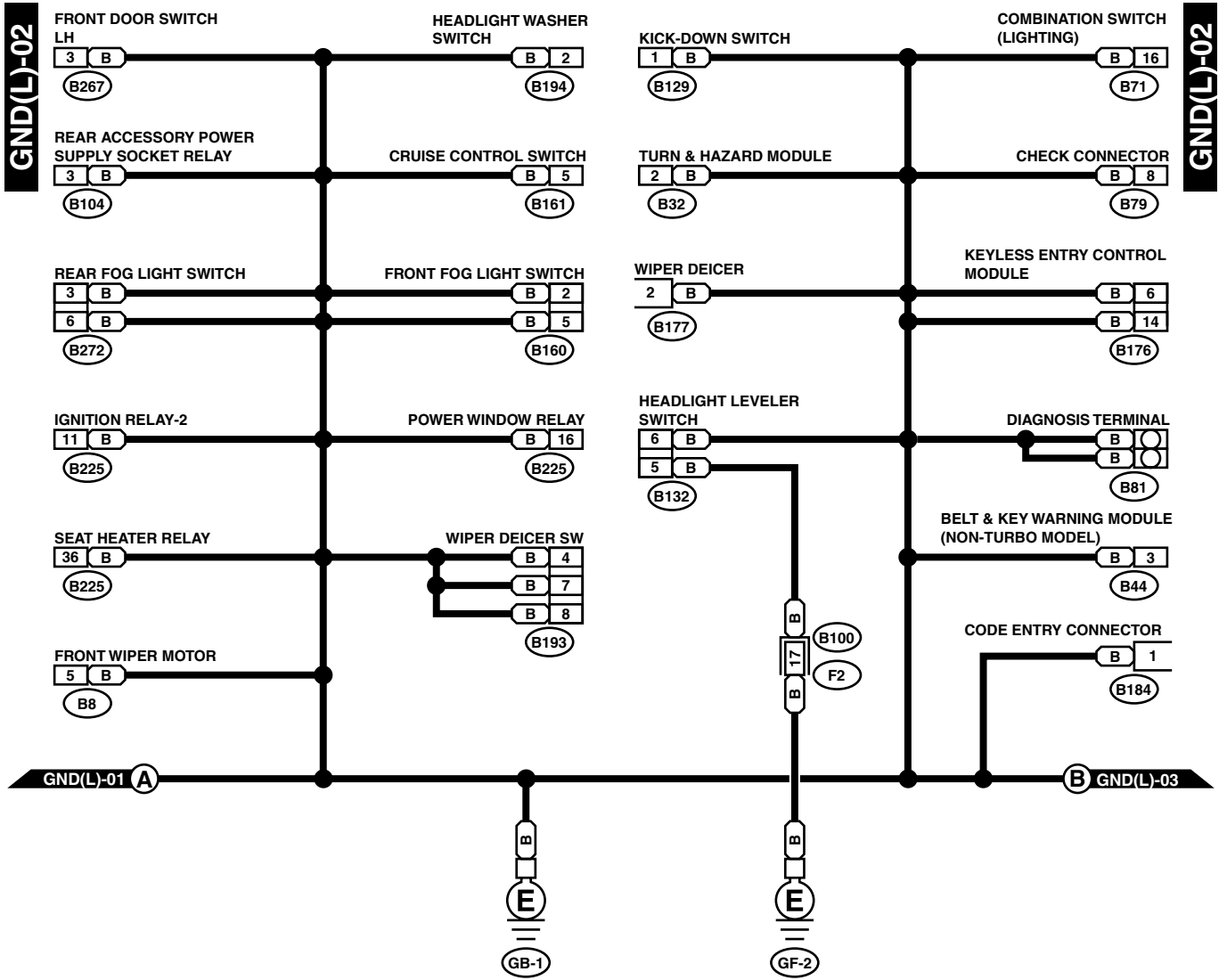
A: SCHEMATIC

1. LHD MODEL



GROUND DISTRIBUTION

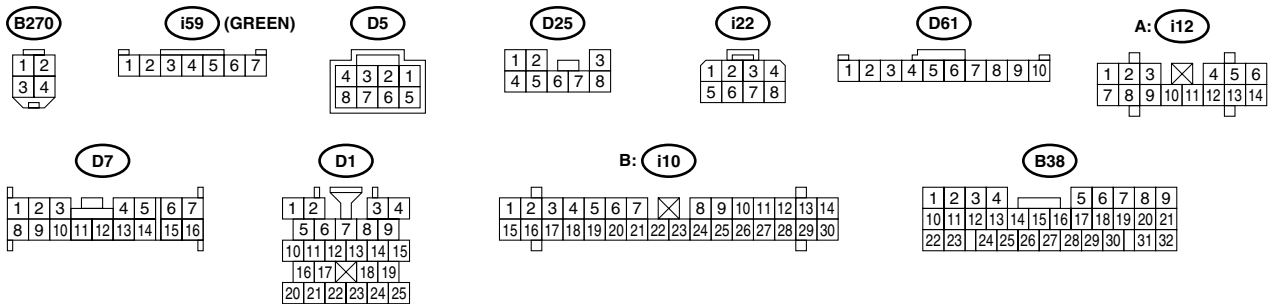
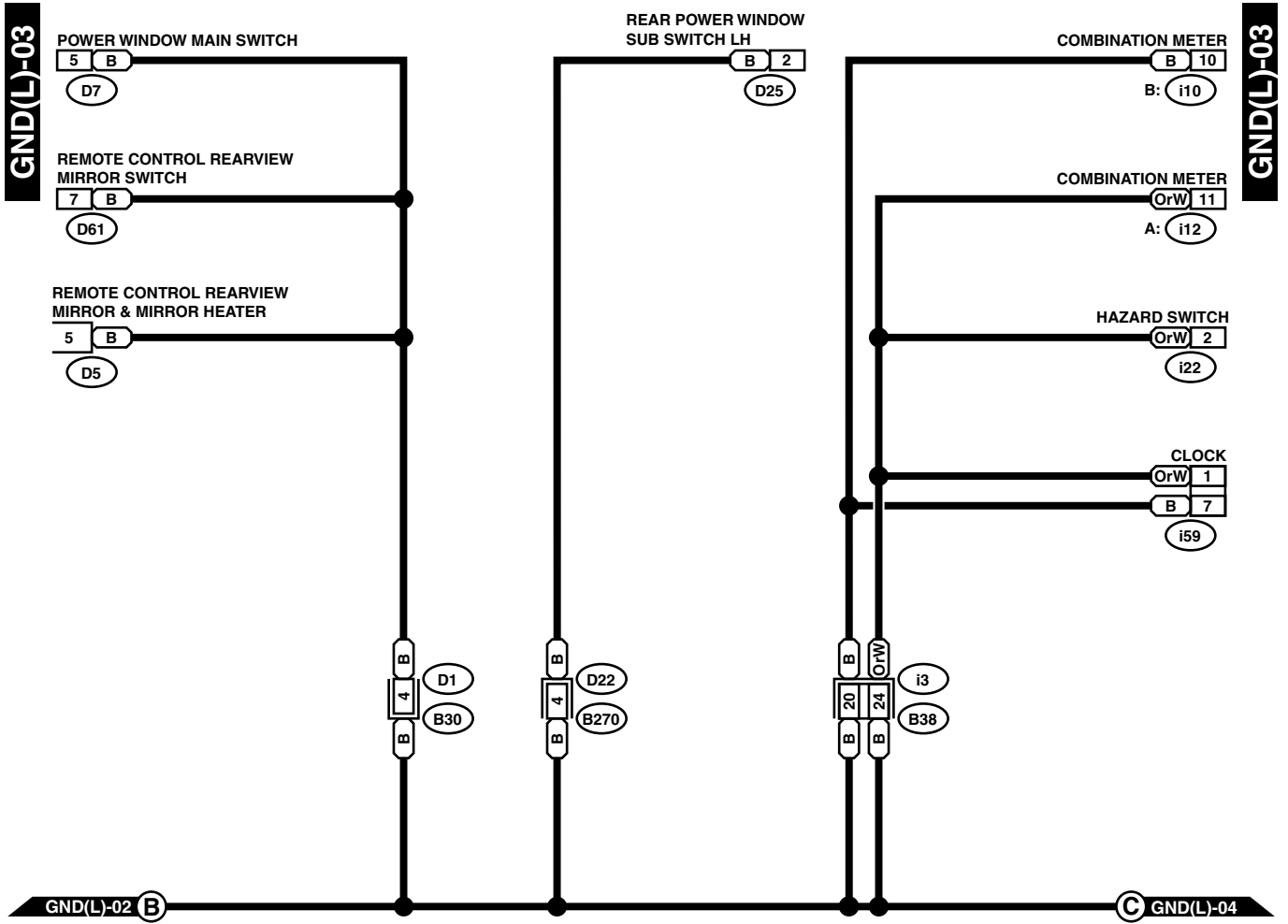
WIRING SYSTEM



WI-00235

GROUND DISTRIBUTION

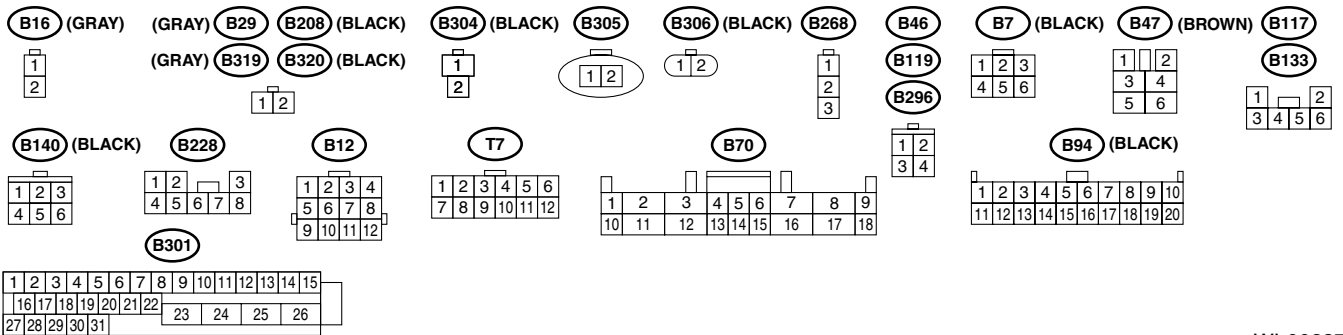
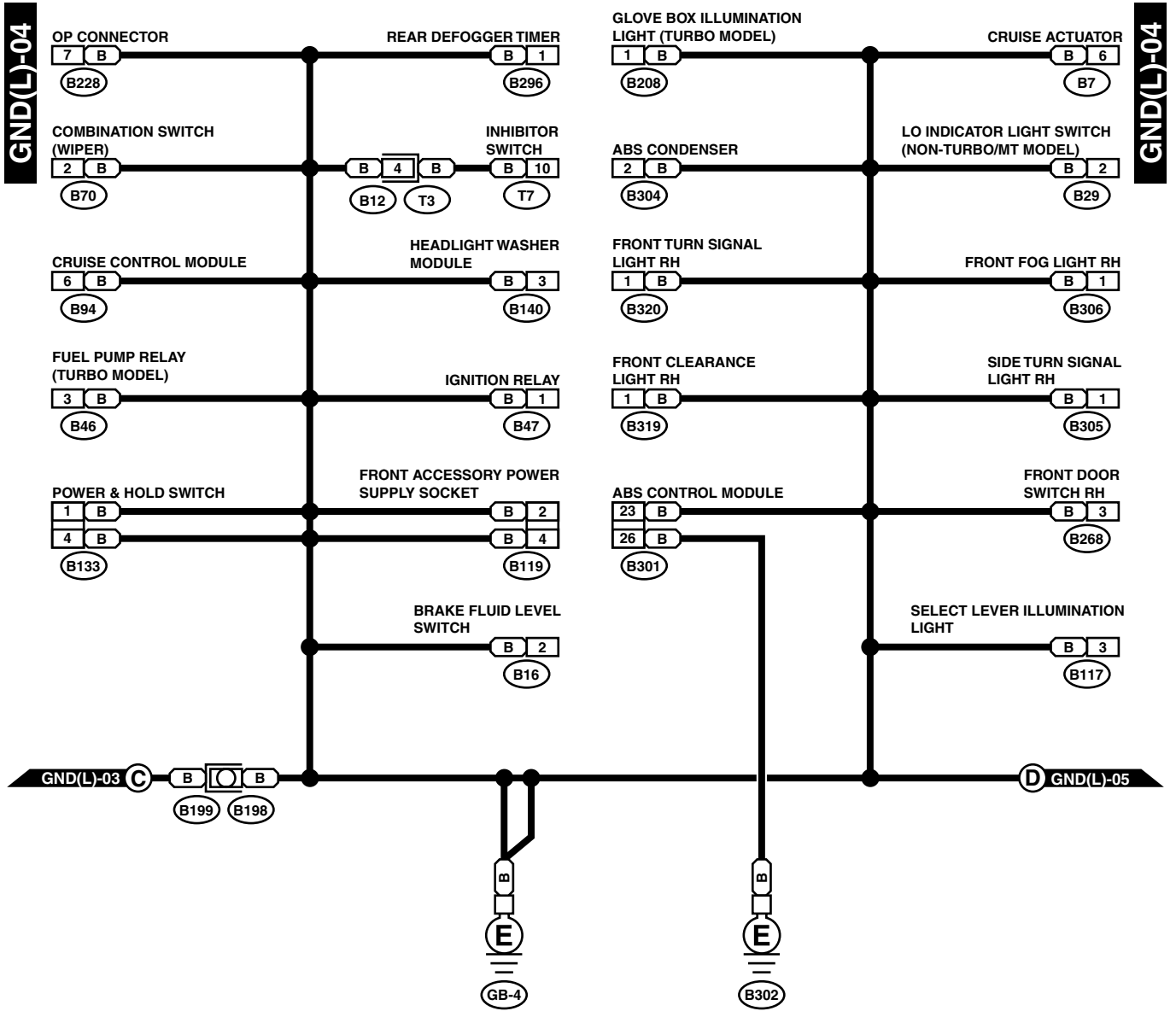
WIRING SYSTEM



WI-00236

GROUND DISTRIBUTION

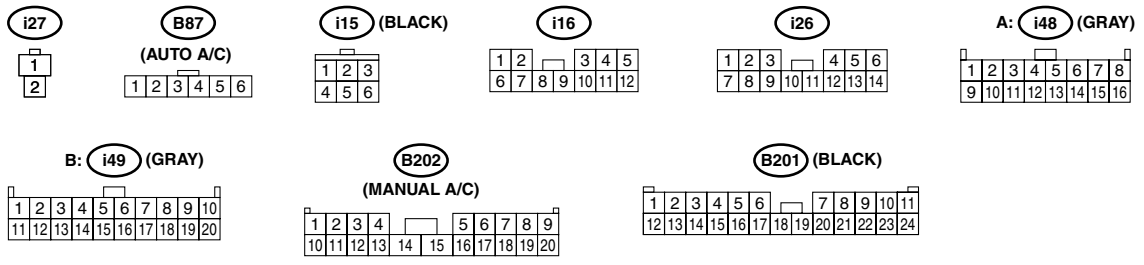
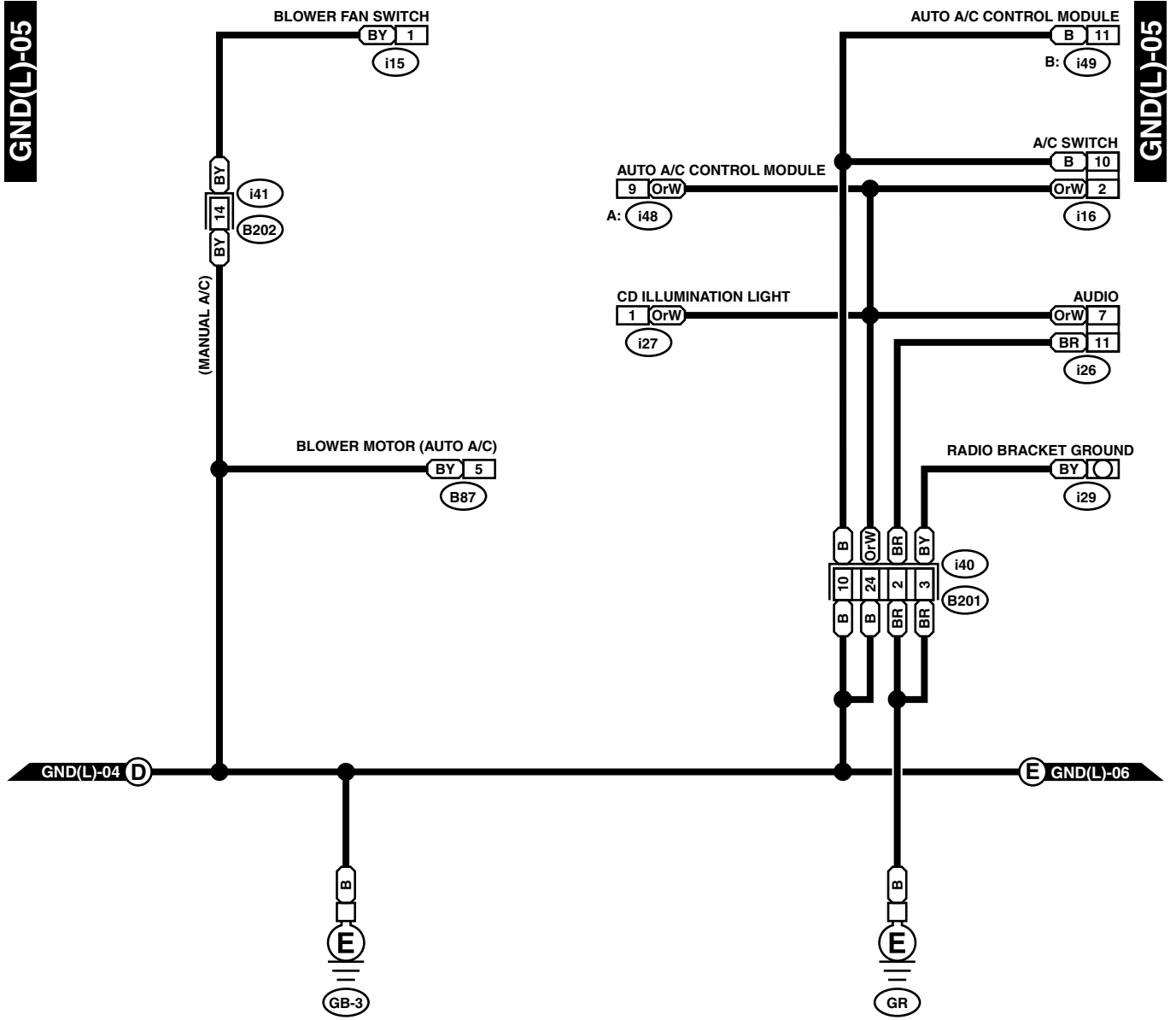
WIRING SYSTEM



WI-00237

GROUND DISTRIBUTION

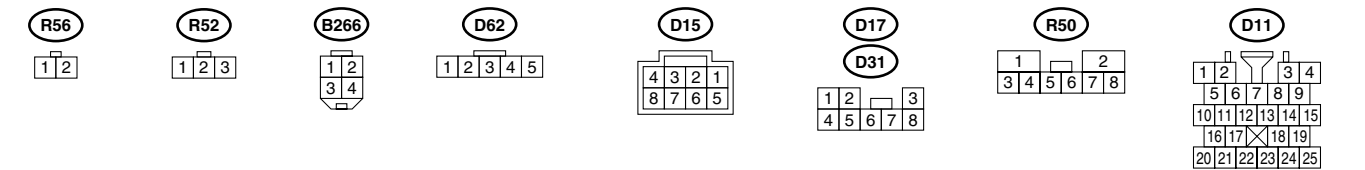
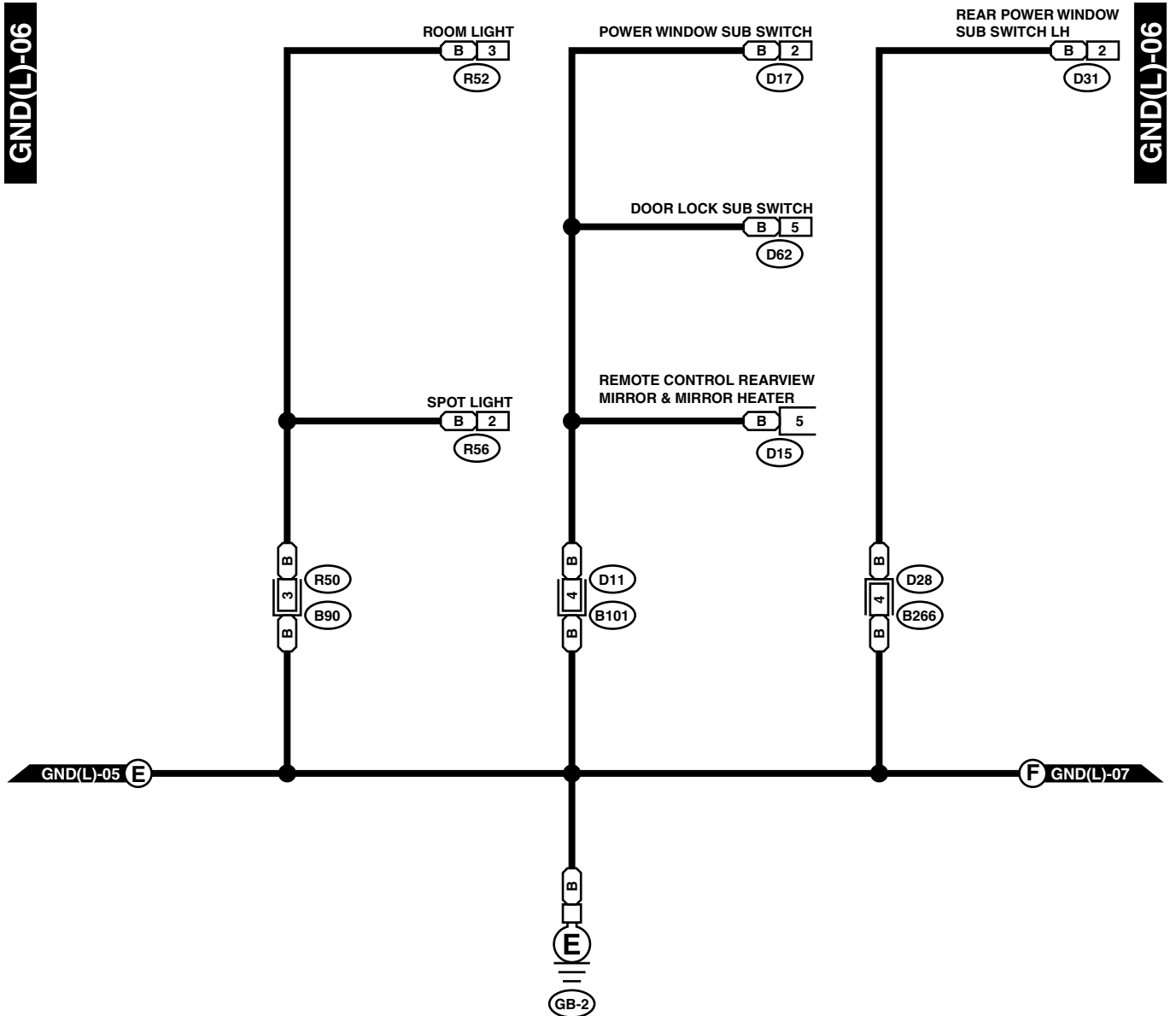
WIRING SYSTEM



WI-00238

GROUND DISTRIBUTION

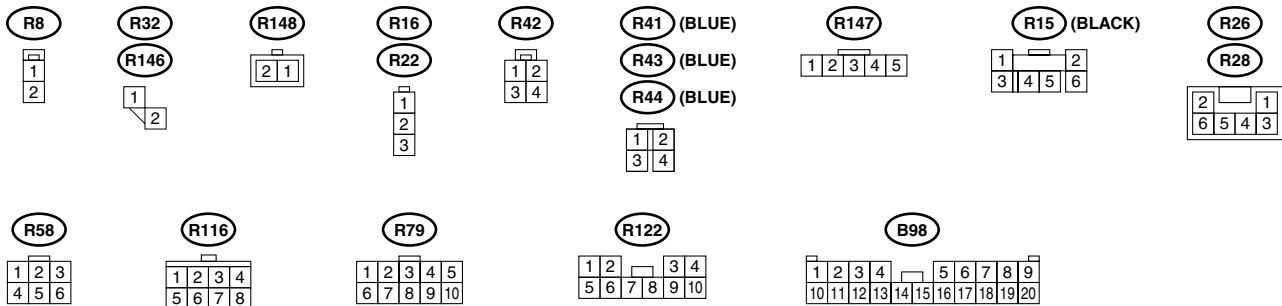
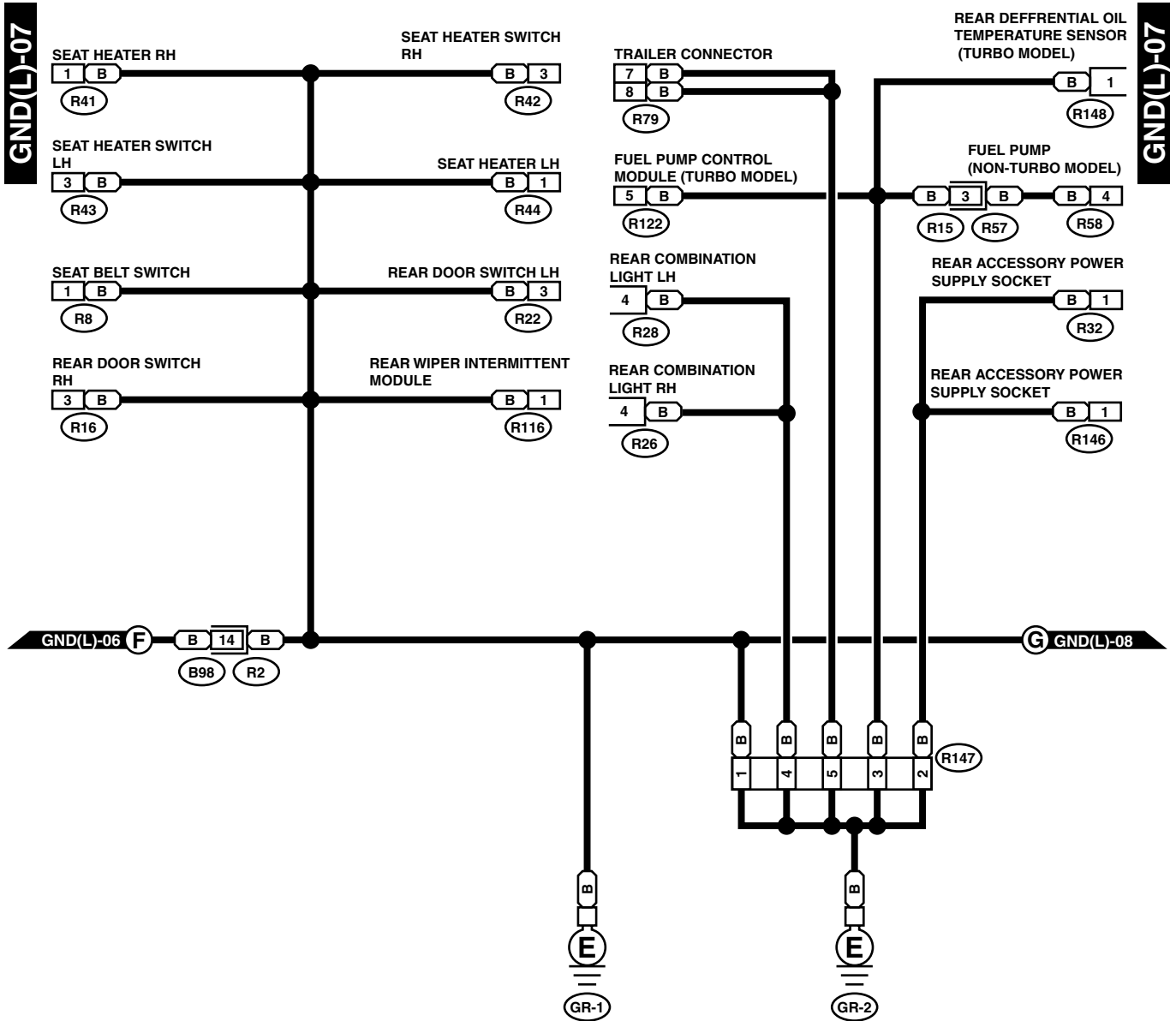
WIRING SYSTEM



WI-00239

GROUND DISTRIBUTION

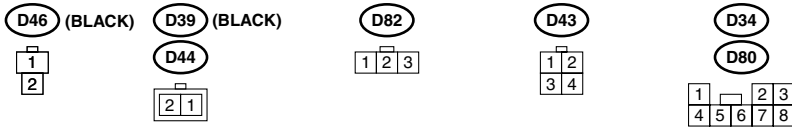
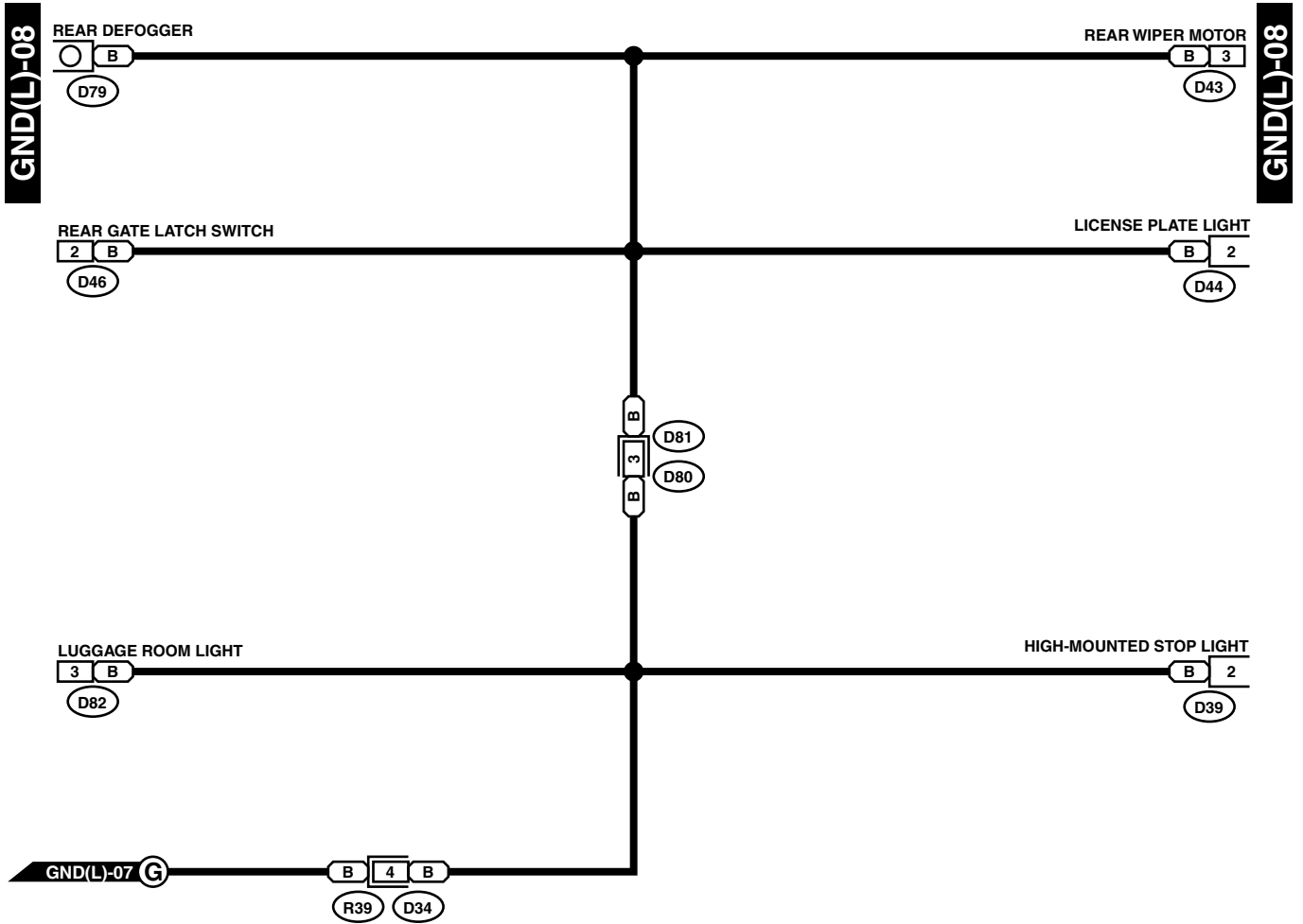
WIRING SYSTEM



WI-00240

GROUND DISTRIBUTION

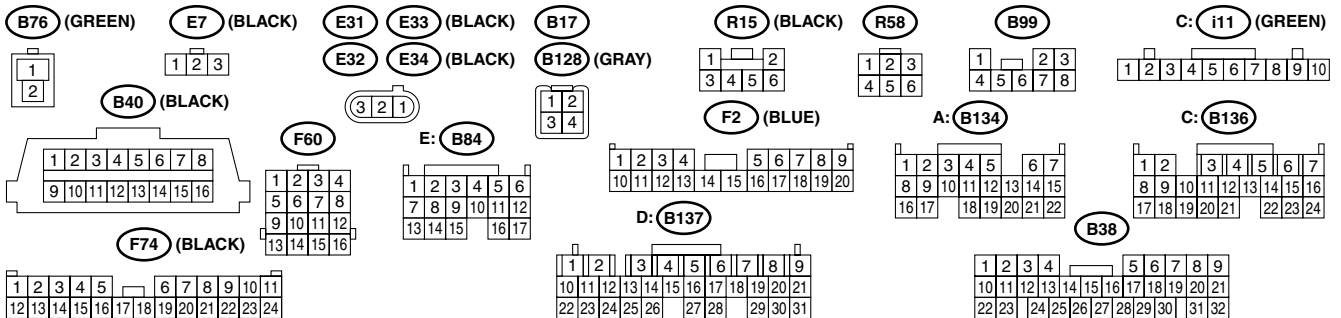
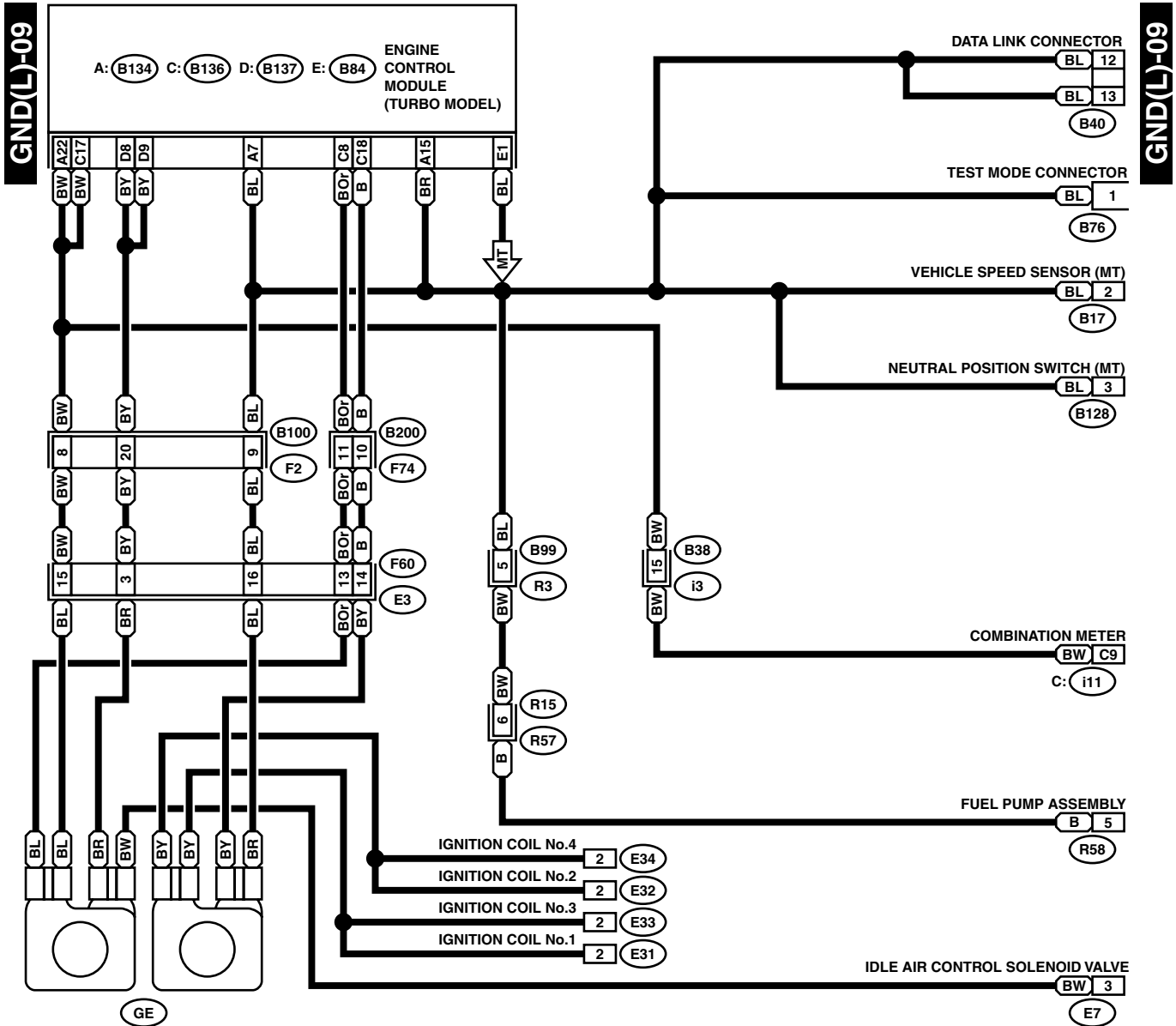
WIRING SYSTEM



WI-00241

GROUND DISTRIBUTION

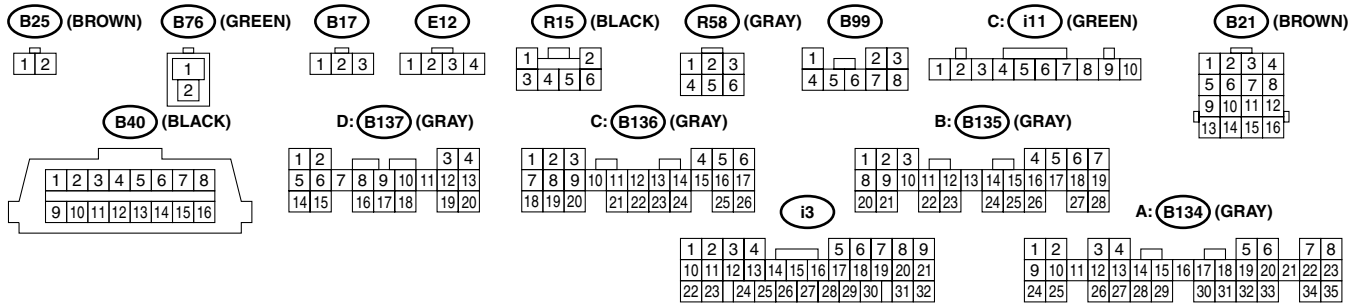
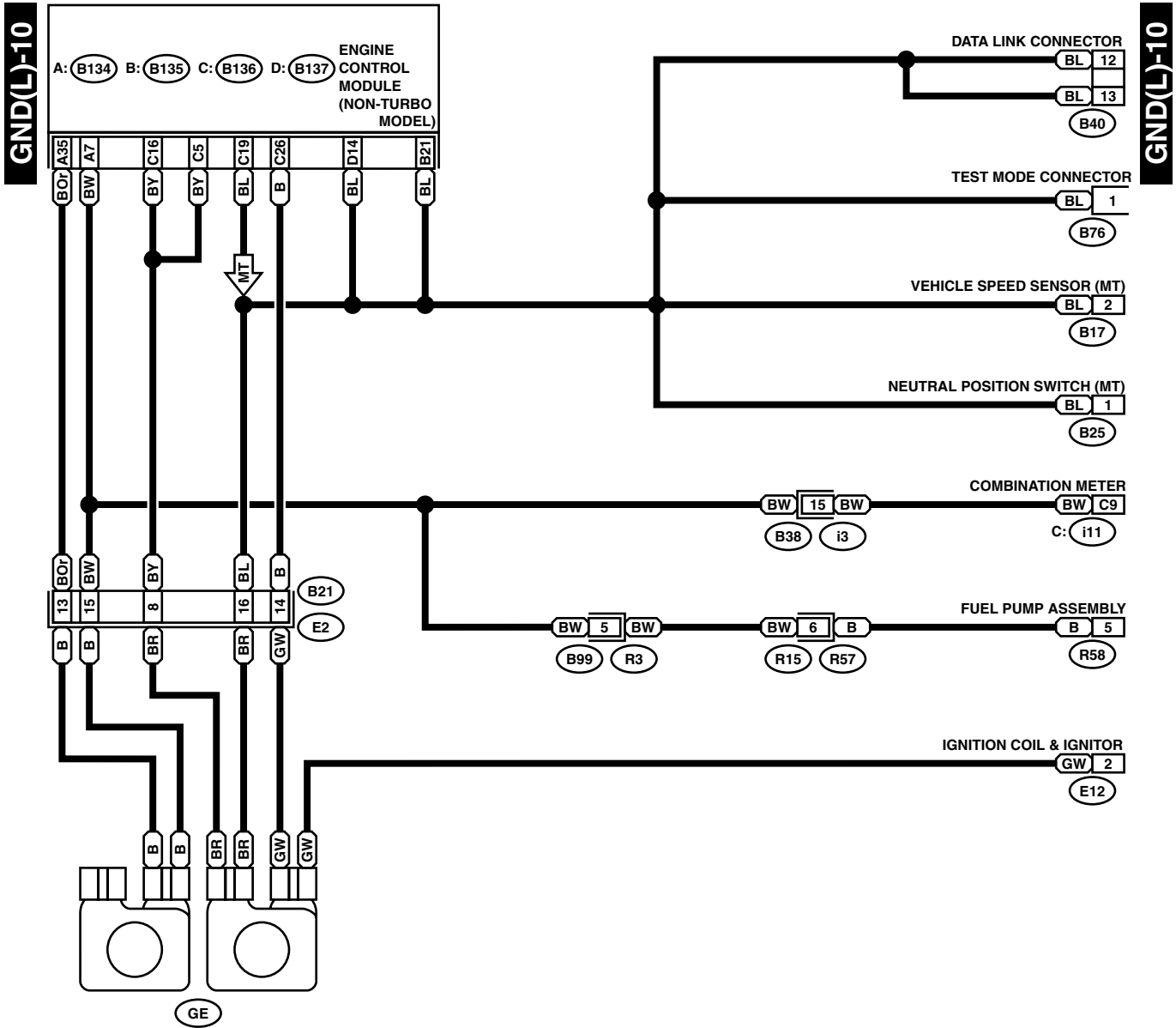
WIRING SYSTEM



WI-00242

GROUND DISTRIBUTION

WIRING SYSTEM



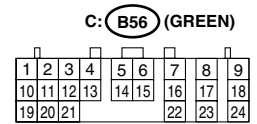
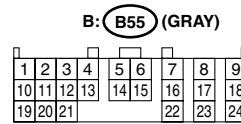
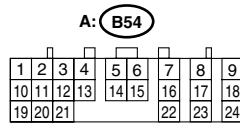
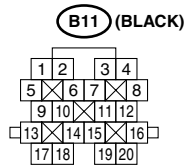
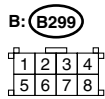
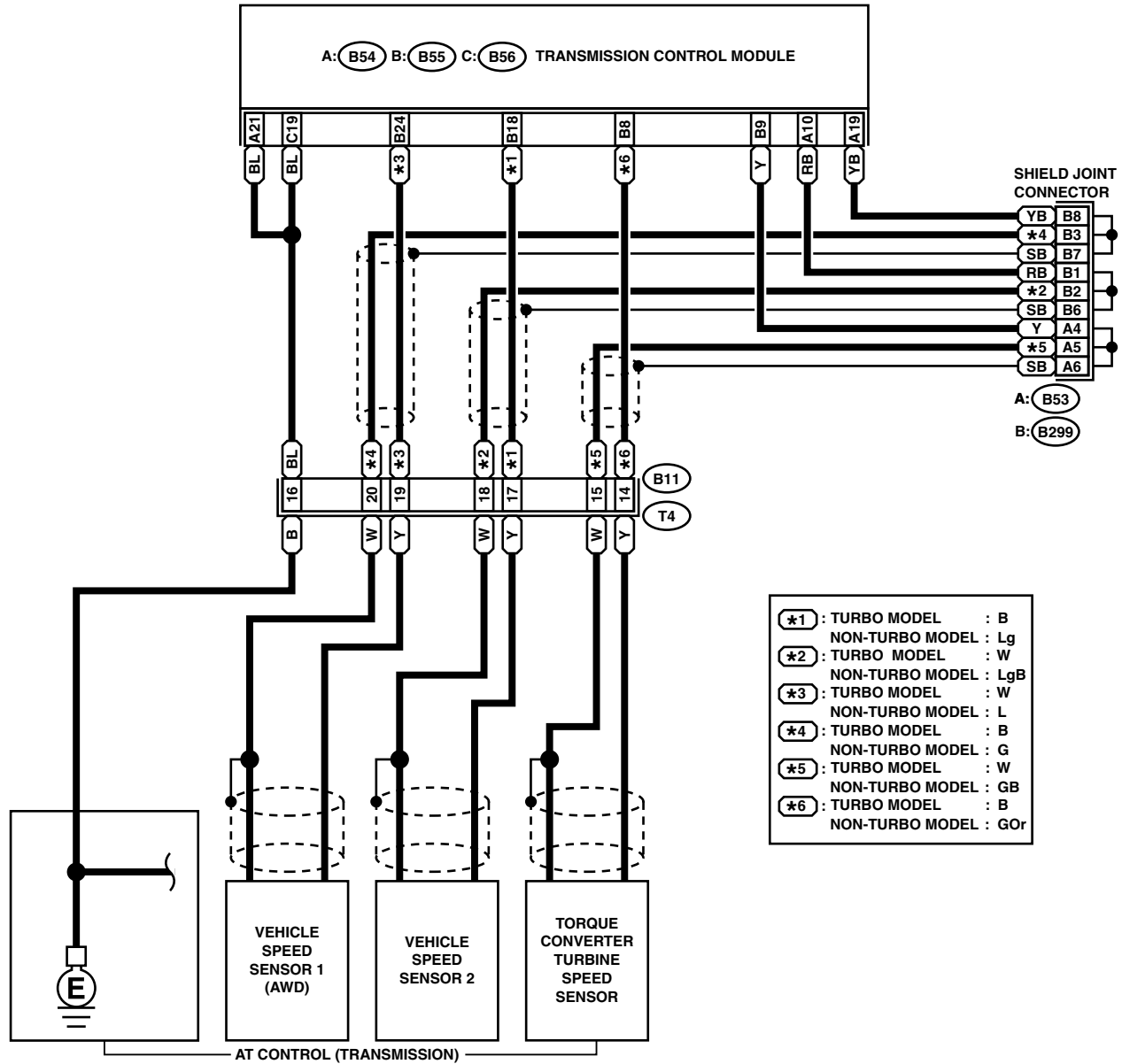
WI-00244

GROUND DISTRIBUTION

WIRING SYSTEM

GND(L)-11

GND(L)-11

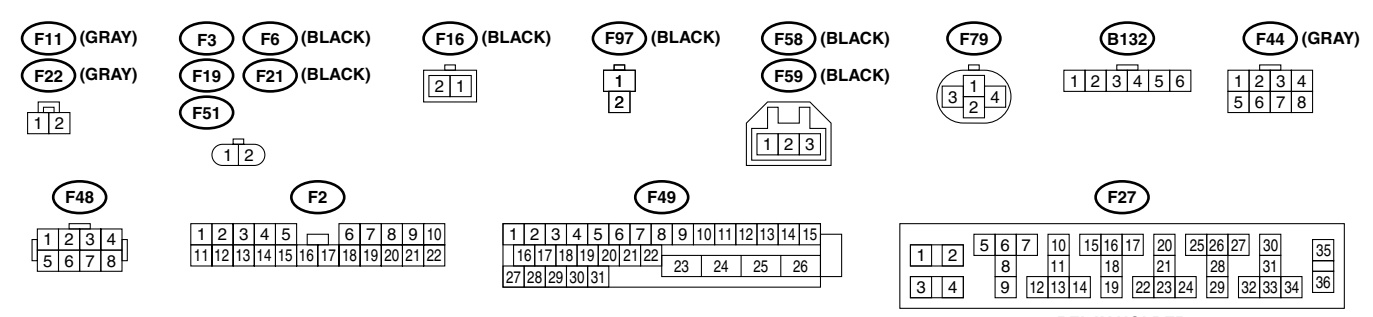
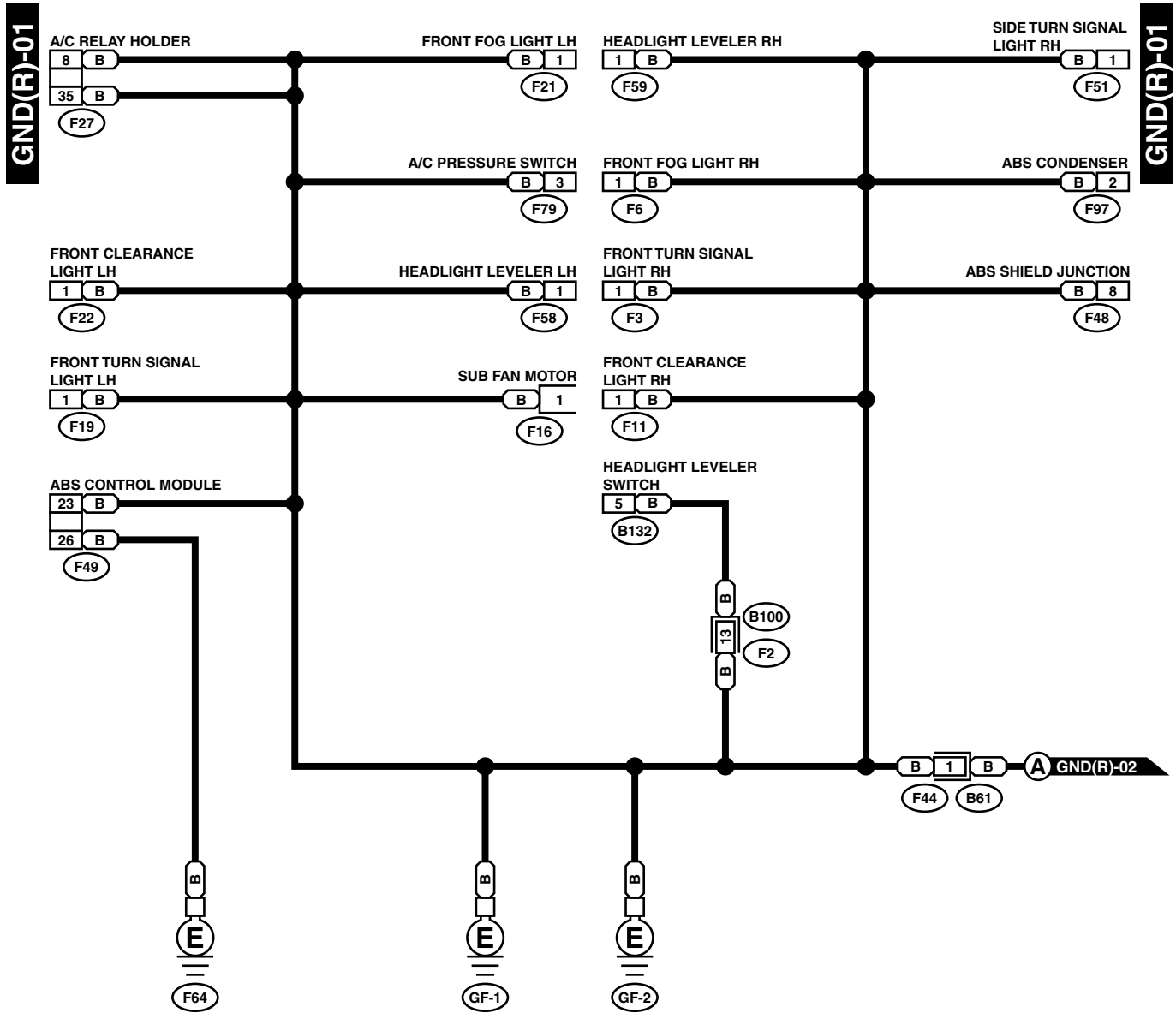


WI-00245

GROUND DISTRIBUTION

WIRING SYSTEM

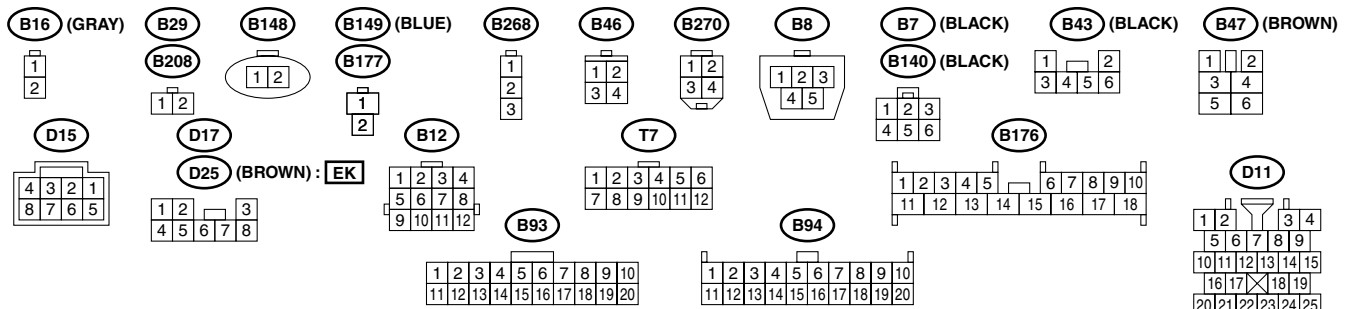
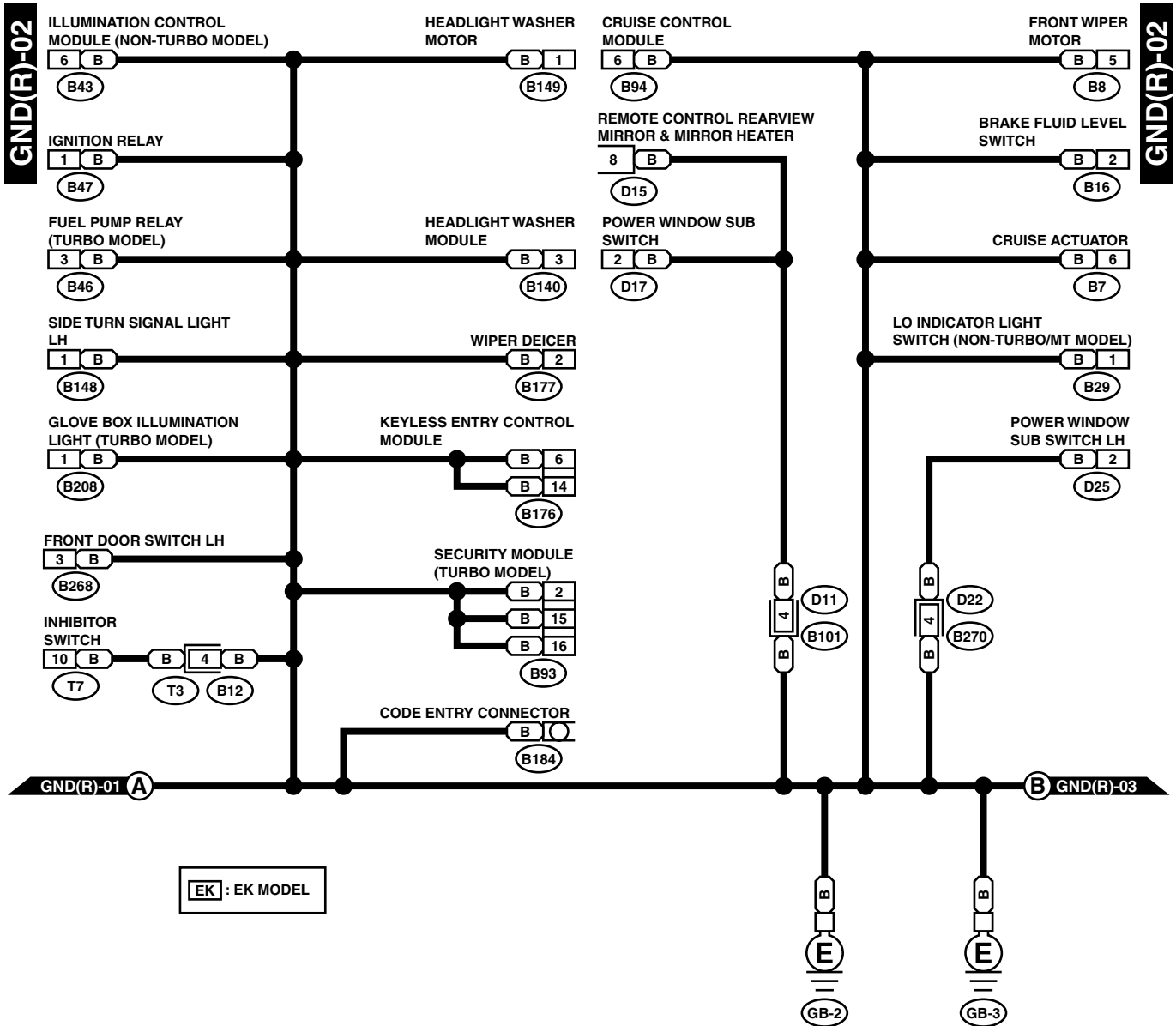
2. RHD MODEL



WI-00246

GROUND DISTRIBUTION

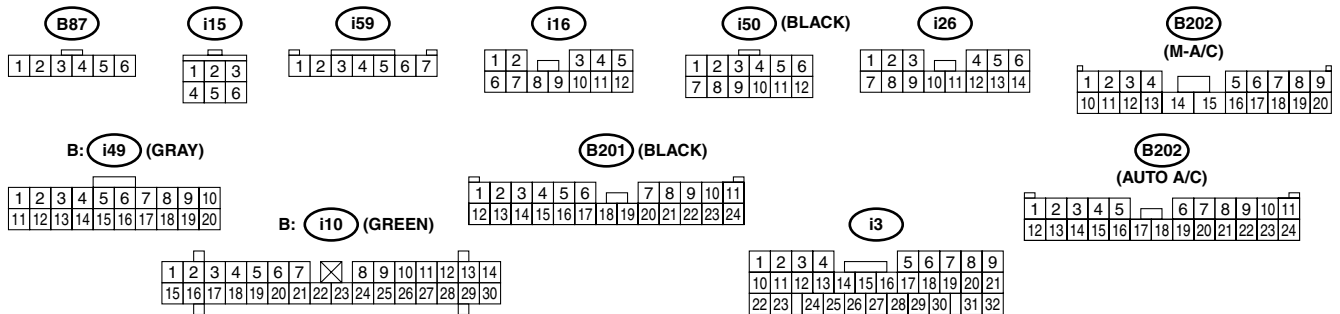
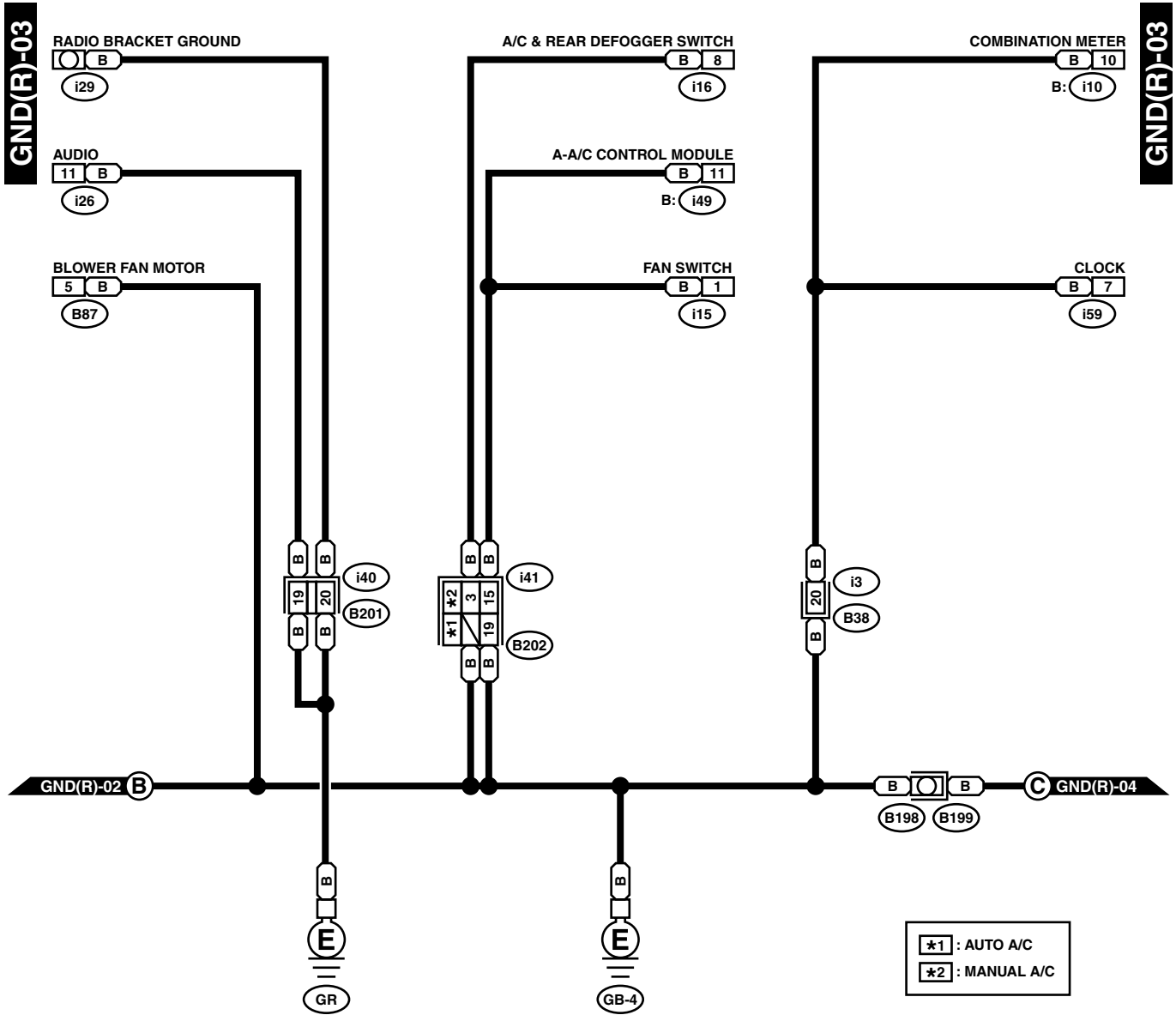
WIRING SYSTEM



WI-00247

GROUND DISTRIBUTION

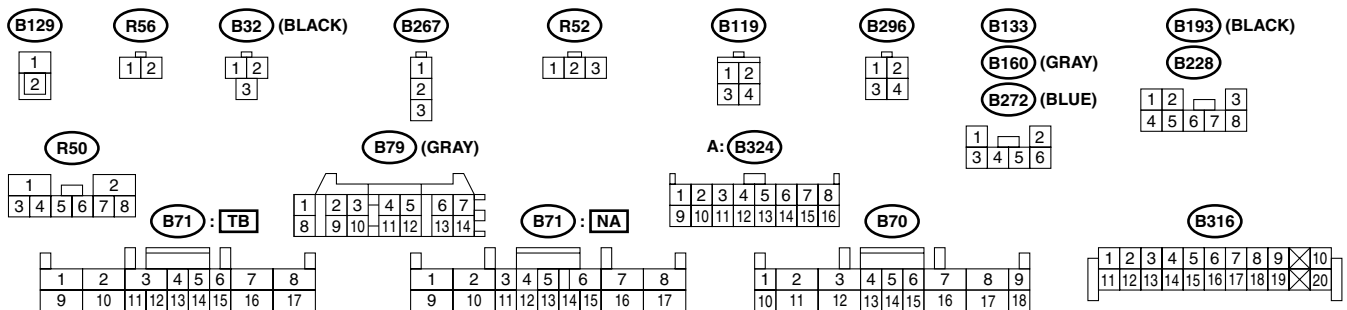
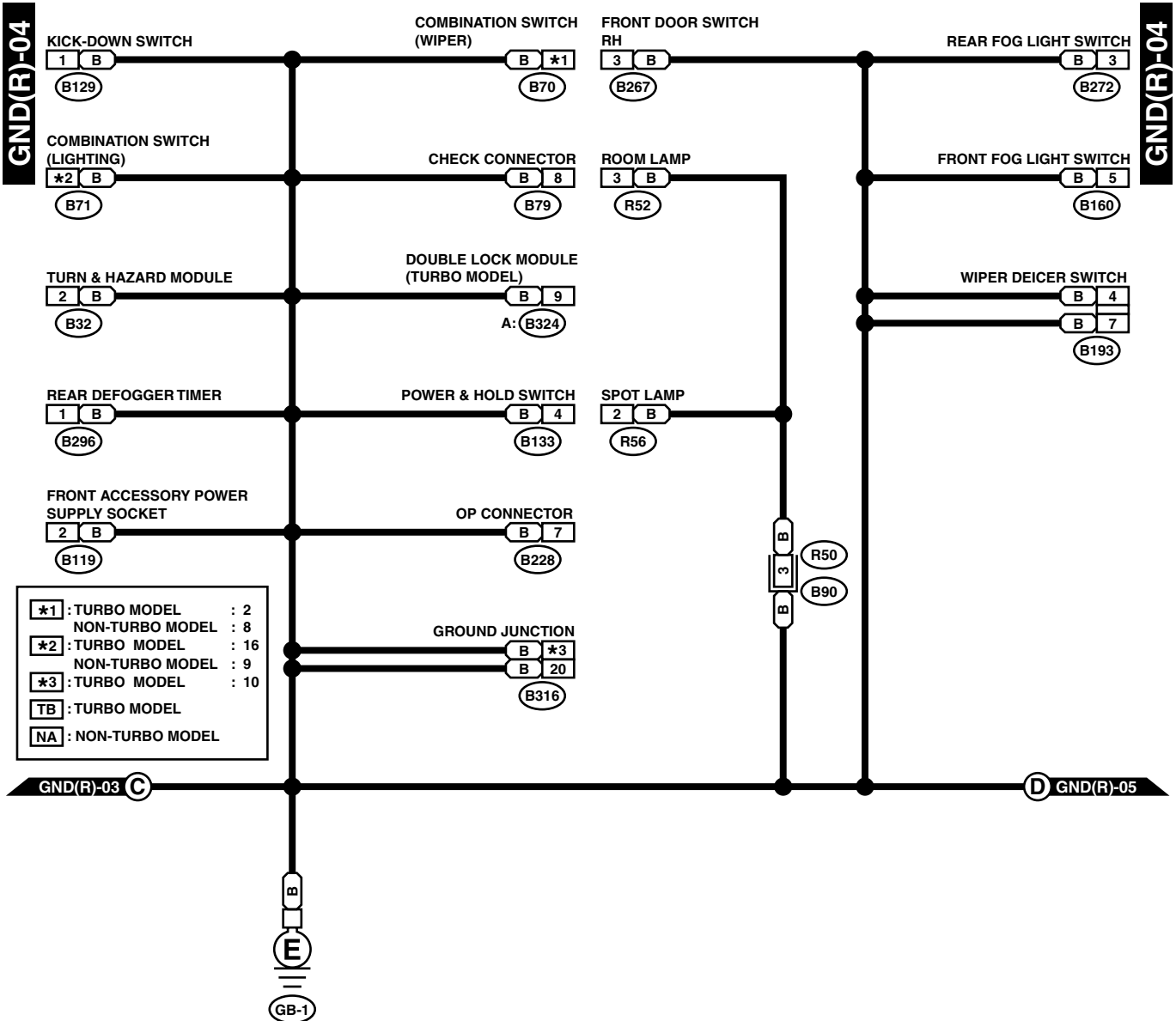
WIRING SYSTEM



WI-00248

GROUND DISTRIBUTION

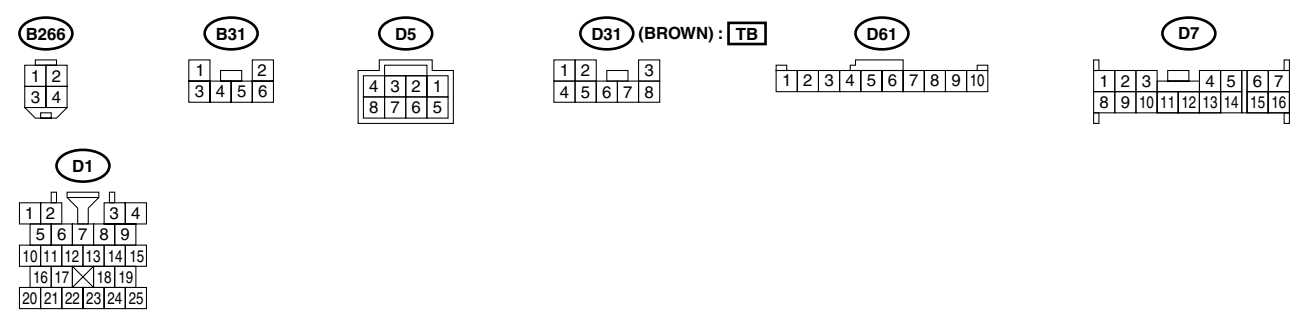
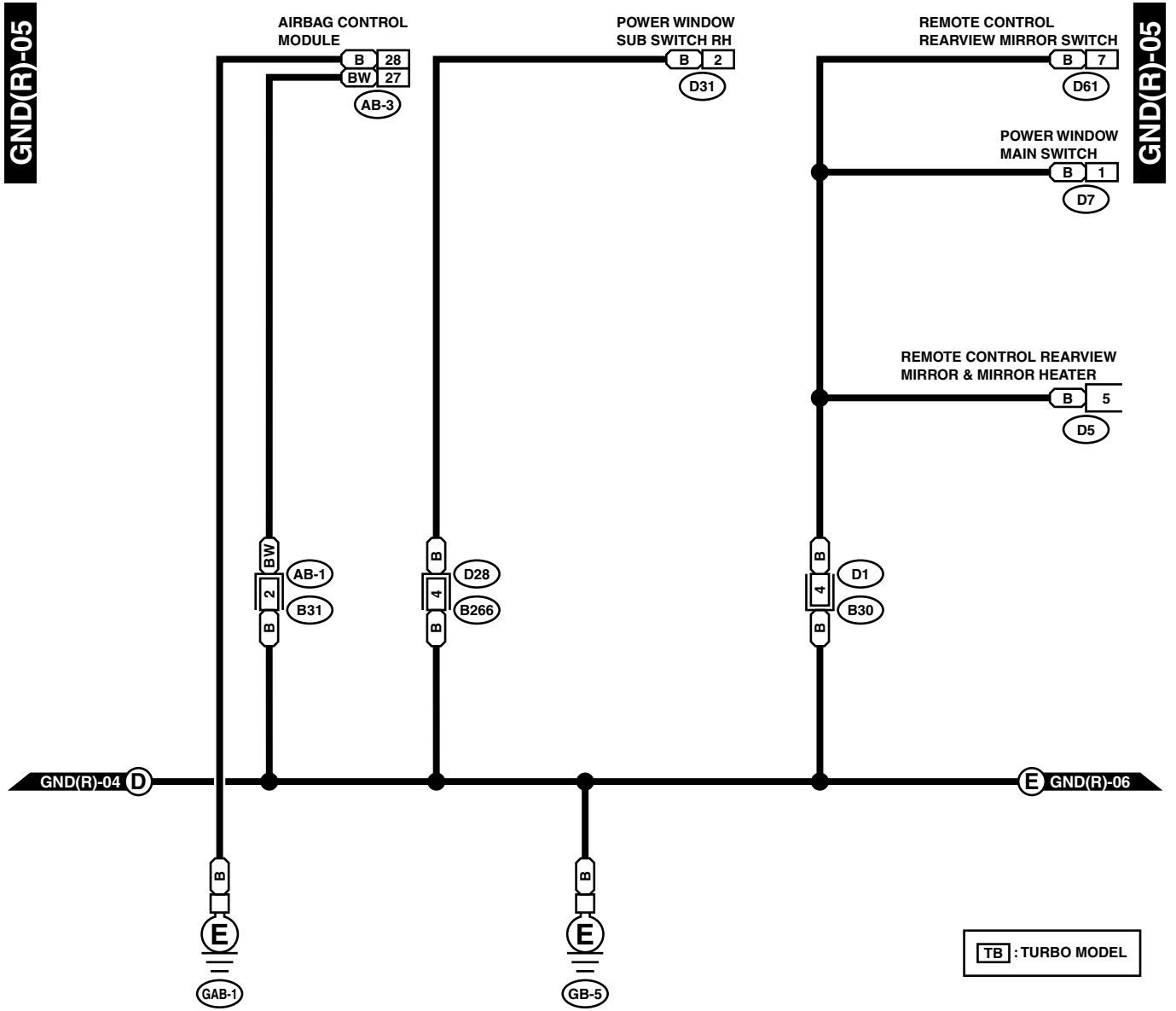
WIRING SYSTEM



WI-00249

GROUND DISTRIBUTION

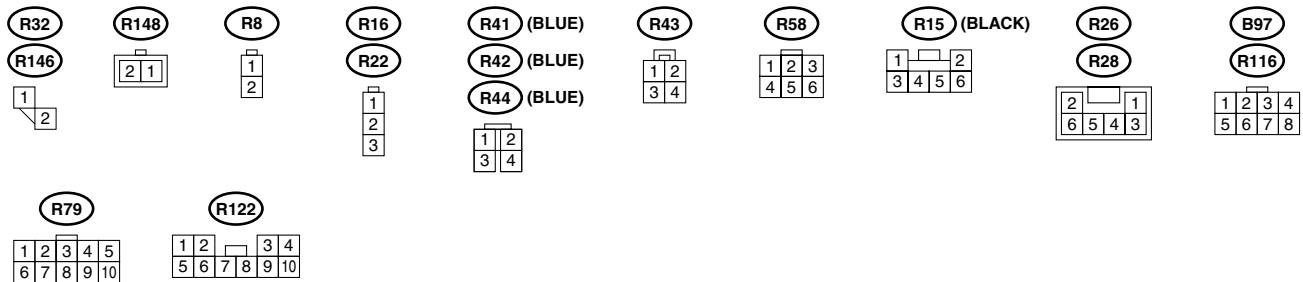
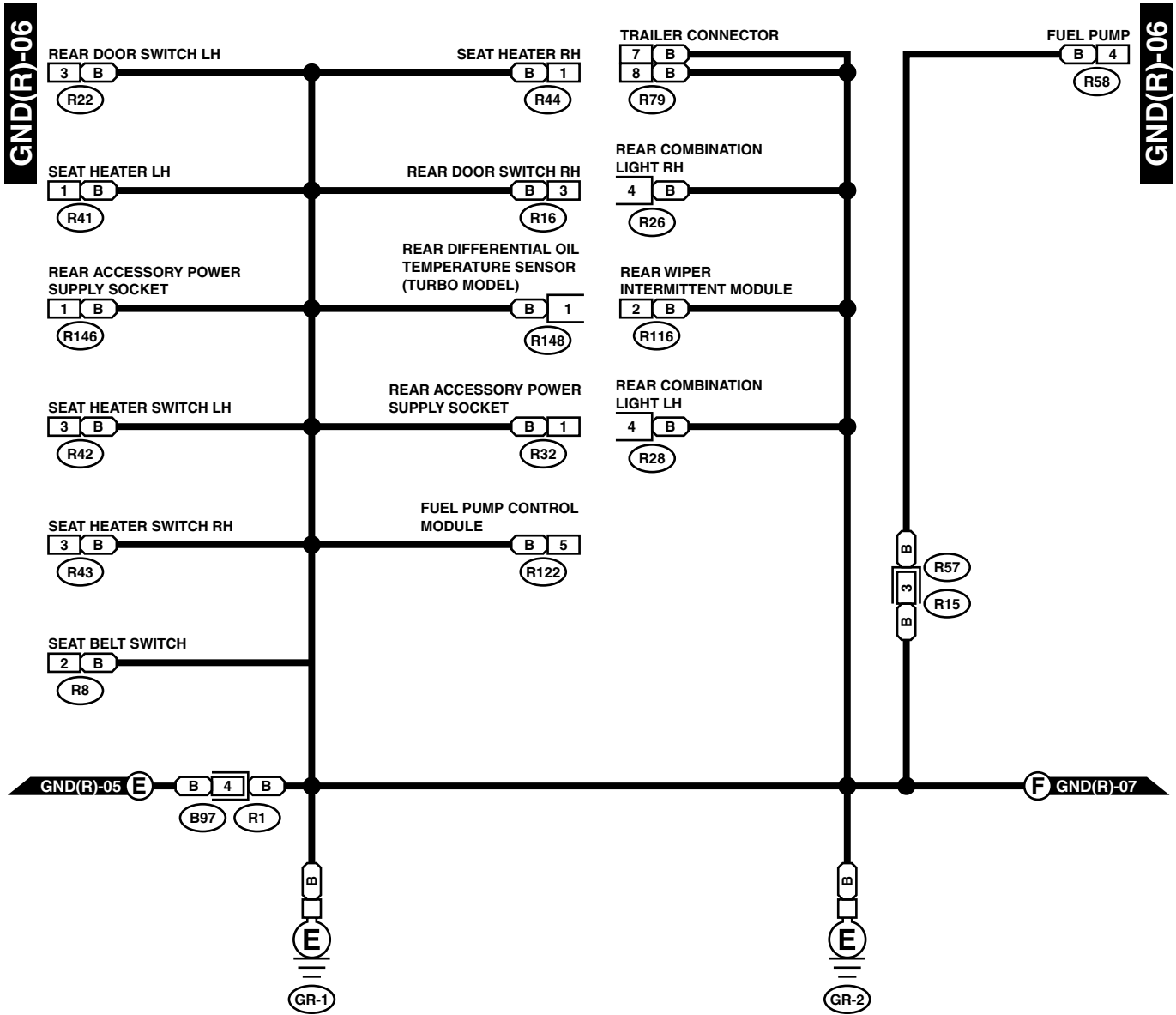
WIRING SYSTEM



WI-00250

GROUND DISTRIBUTION

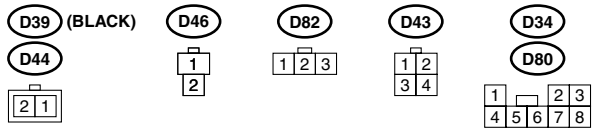
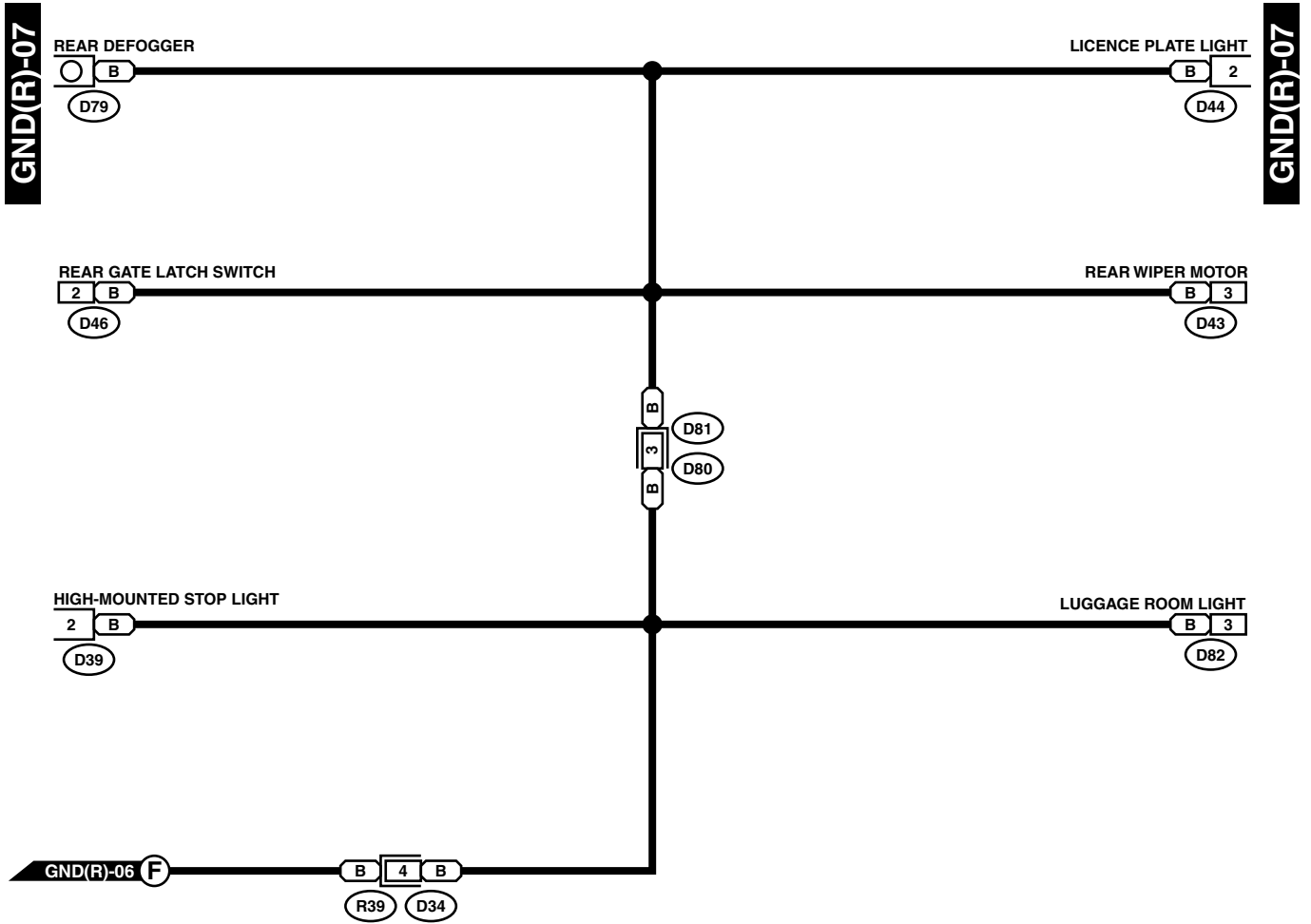
WIRING SYSTEM



WI-00251

GROUND DISTRIBUTION

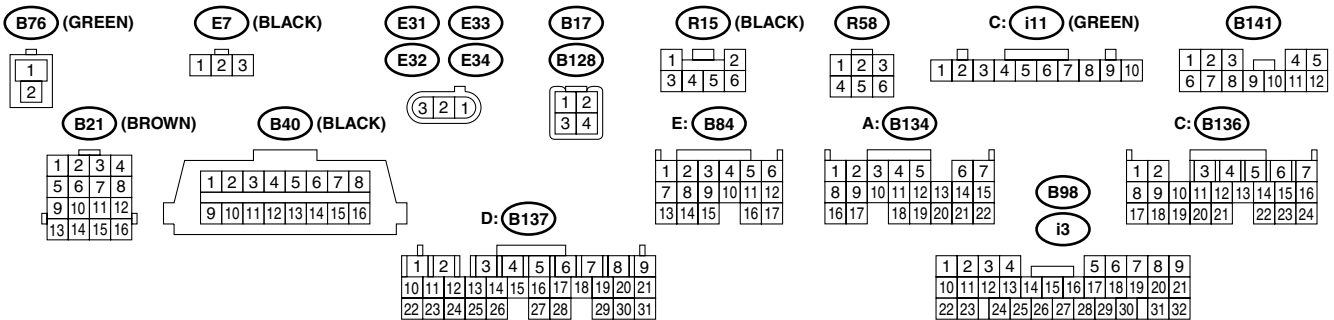
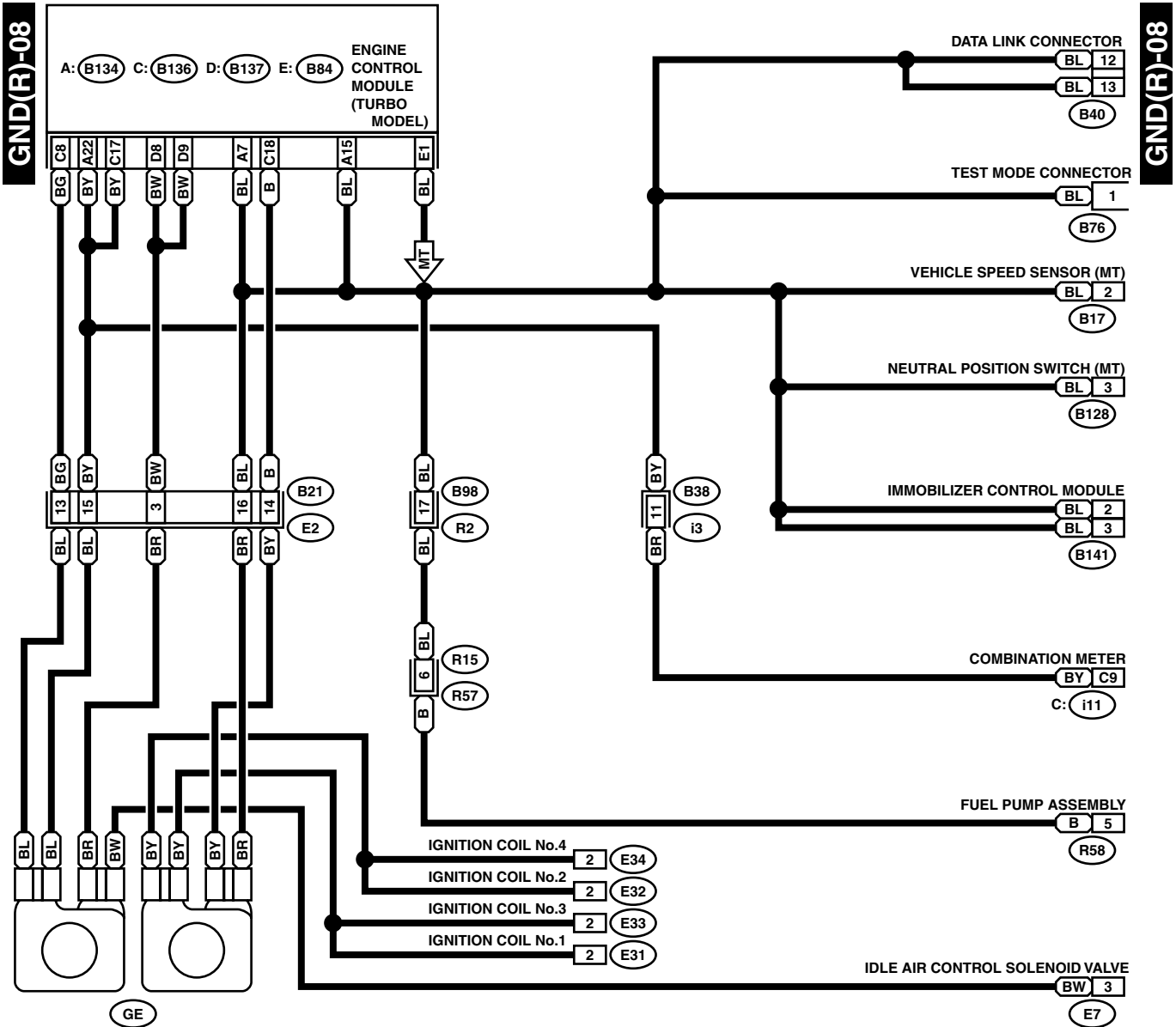
WIRING SYSTEM



WI-00252

GROUND DISTRIBUTION

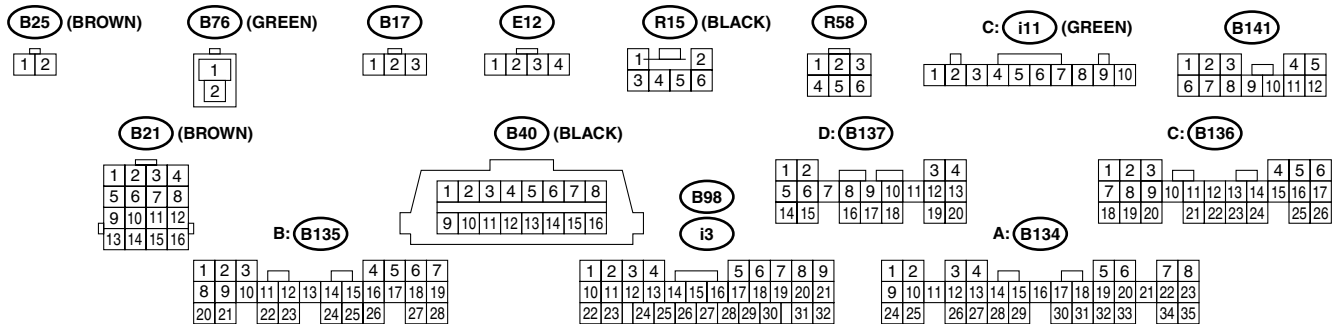
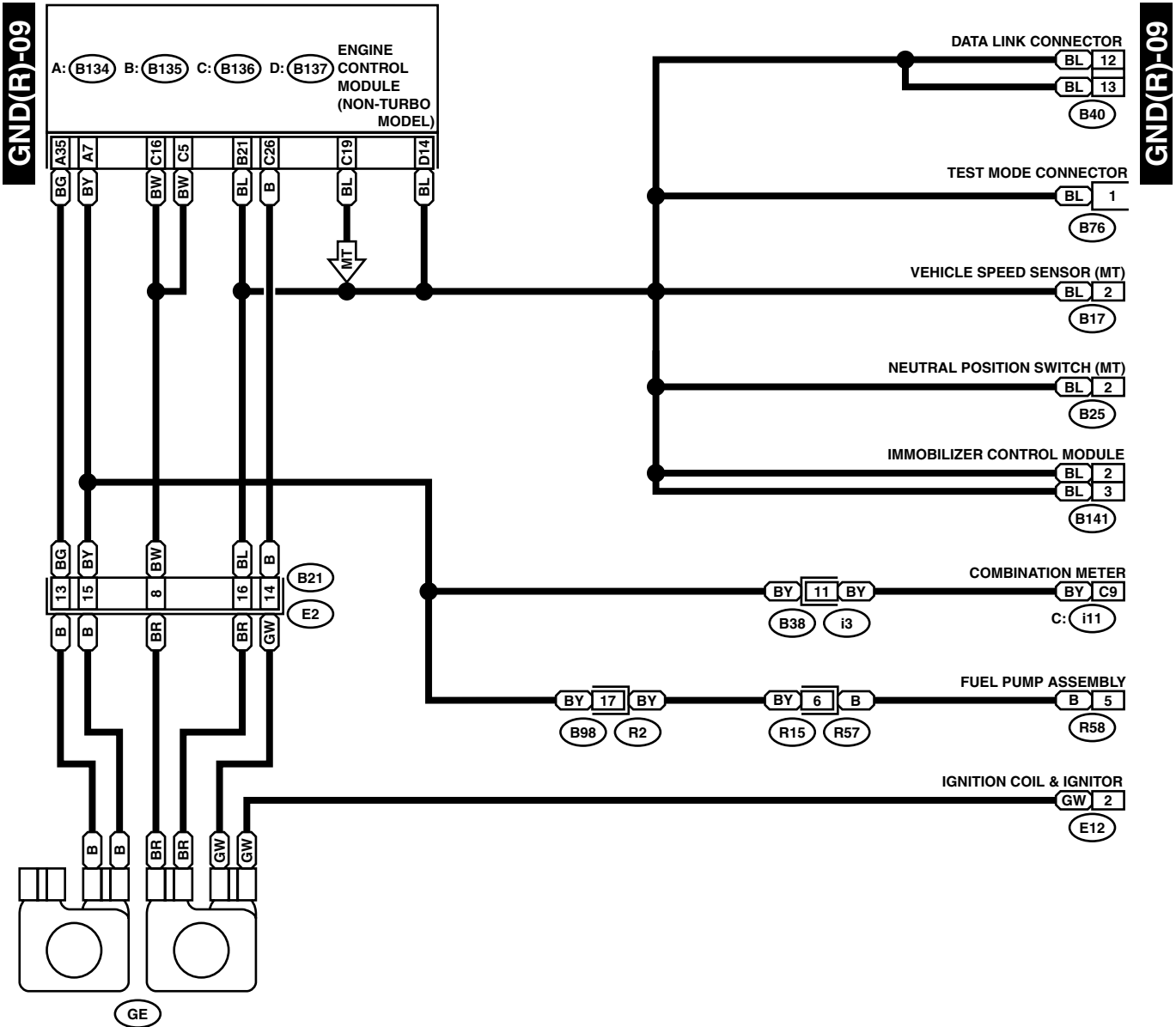
WIRING SYSTEM



WI-00253

GROUND DISTRIBUTION

WIRING SYSTEM



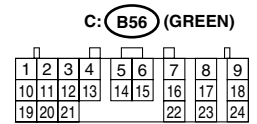
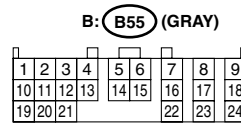
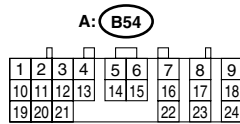
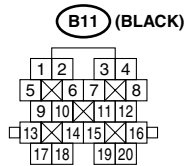
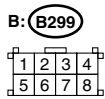
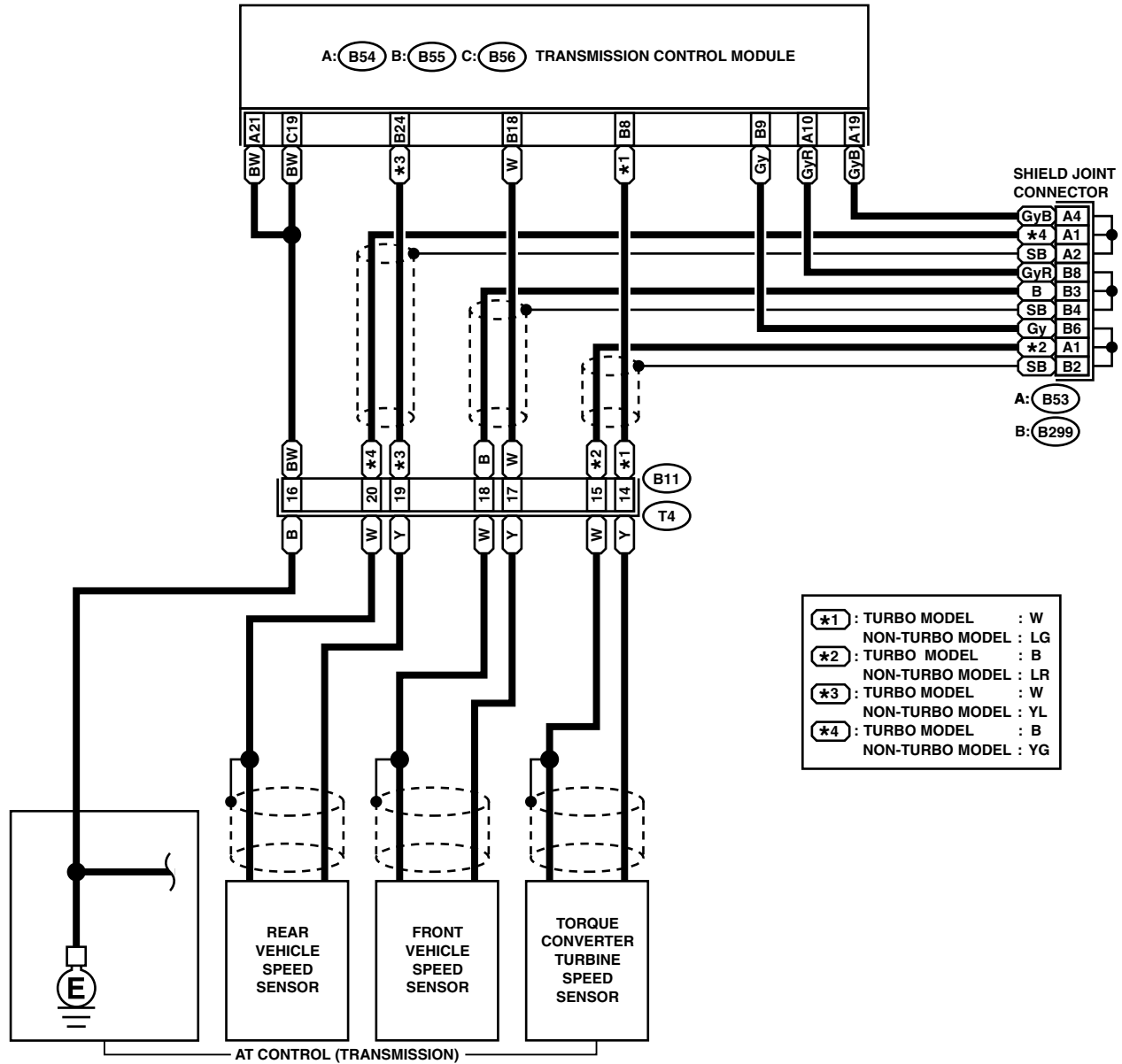
WI-00254

GROUND DISTRIBUTION

WIRING SYSTEM

GND(L)-10

GND(L)-10



WI-00255

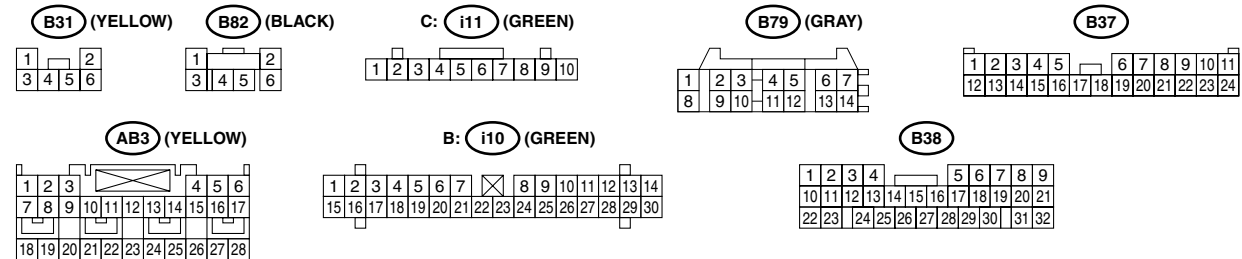
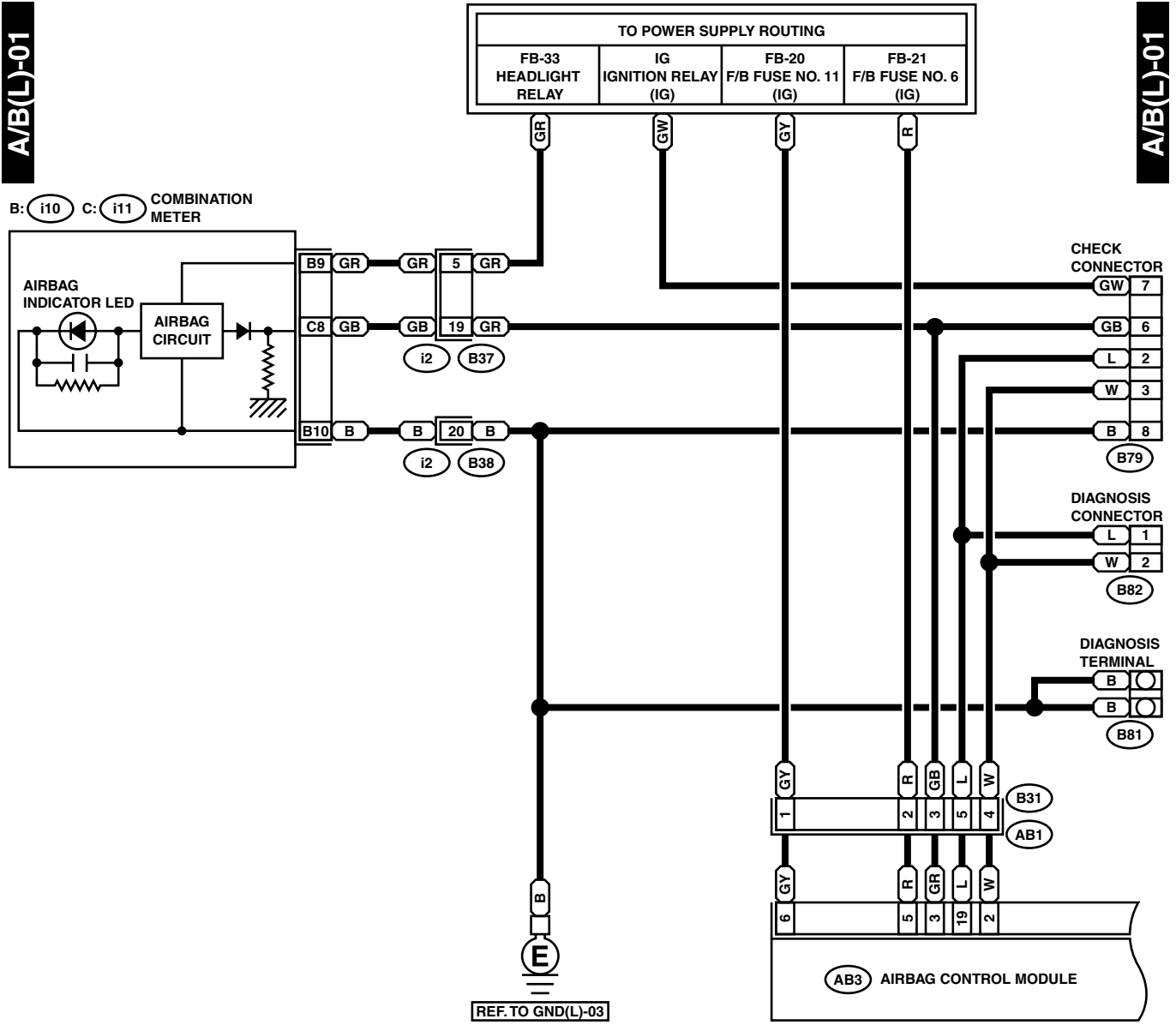
AIRBAG SYSTEM

WIRING SYSTEM

5. Airbag System

A: SCHEMATIC

1. LHD MODEL



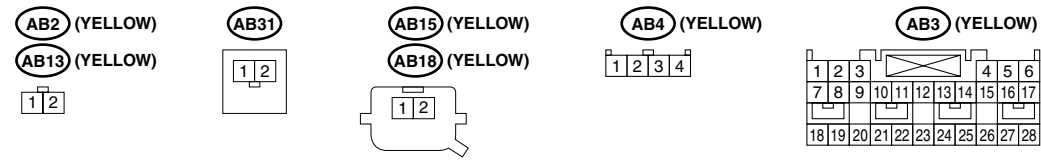
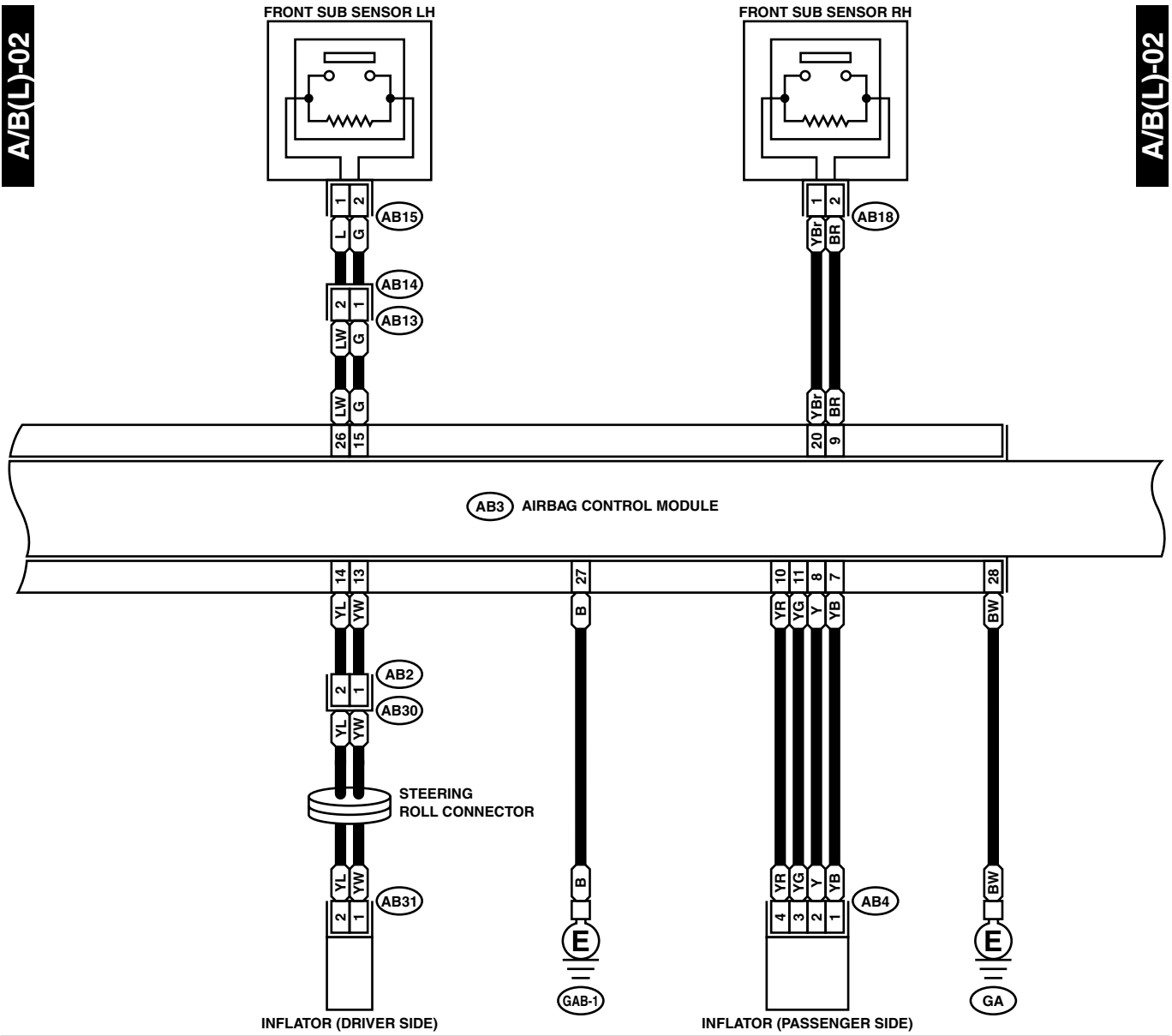
WI-00256

AIRBAG SYSTEM

WIRING SYSTEM

A/B(L)-02

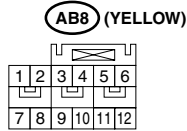
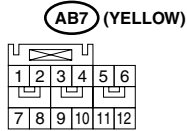
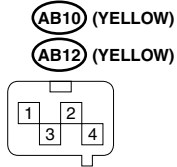
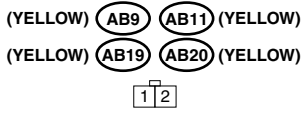
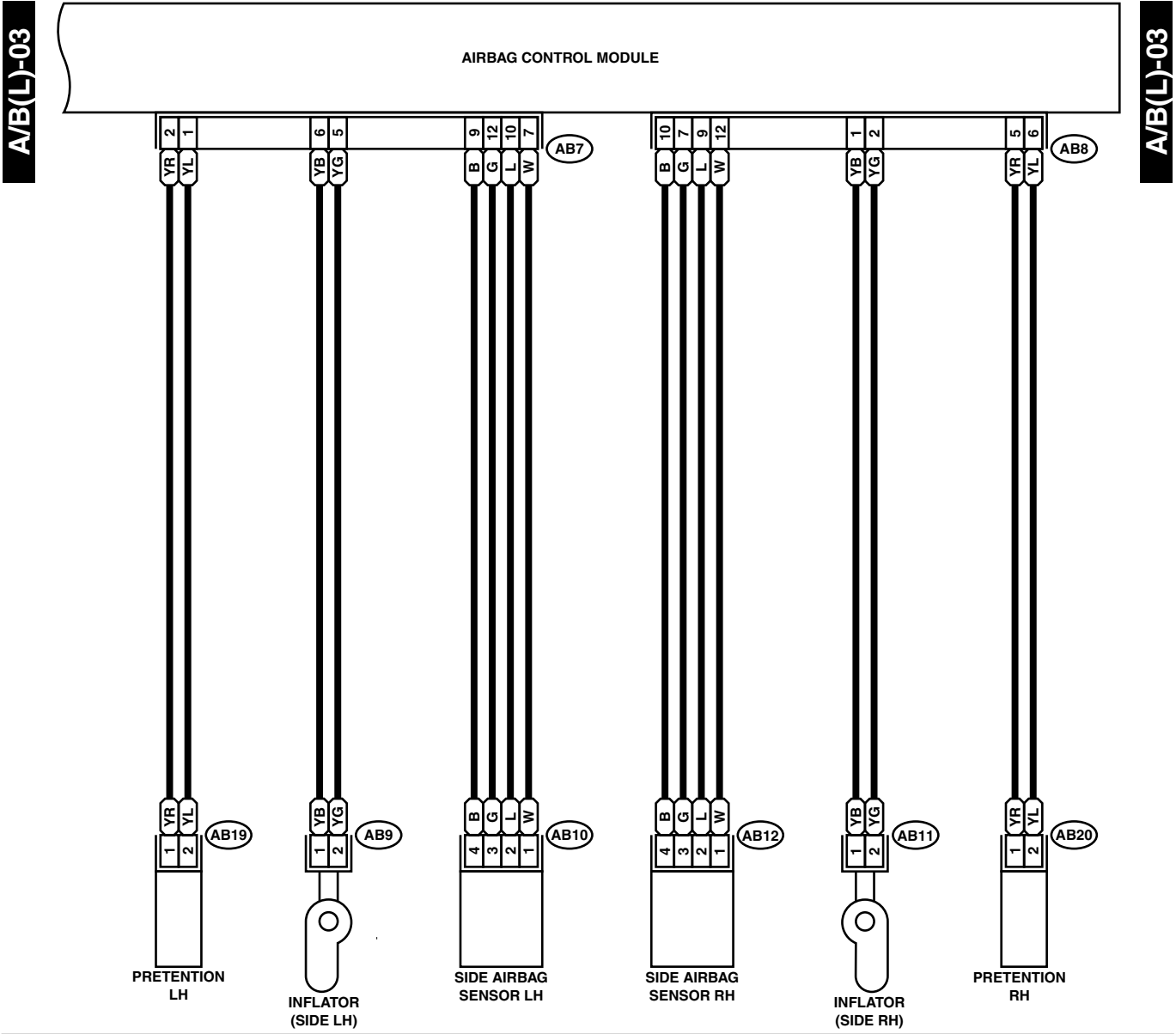
A/B(L)-02



WI-00257

AIRBAG SYSTEM

WIRING SYSTEM

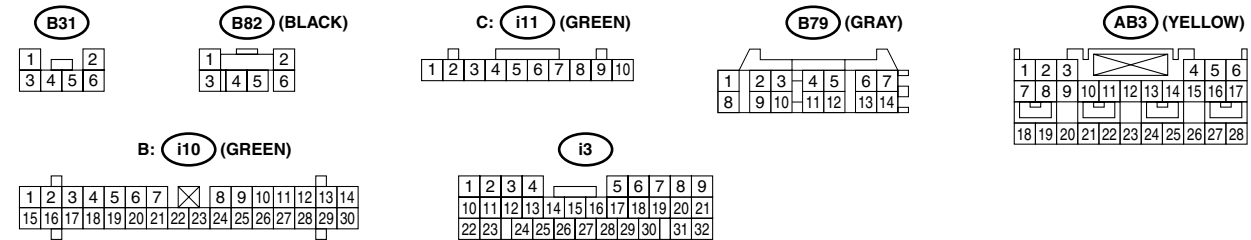
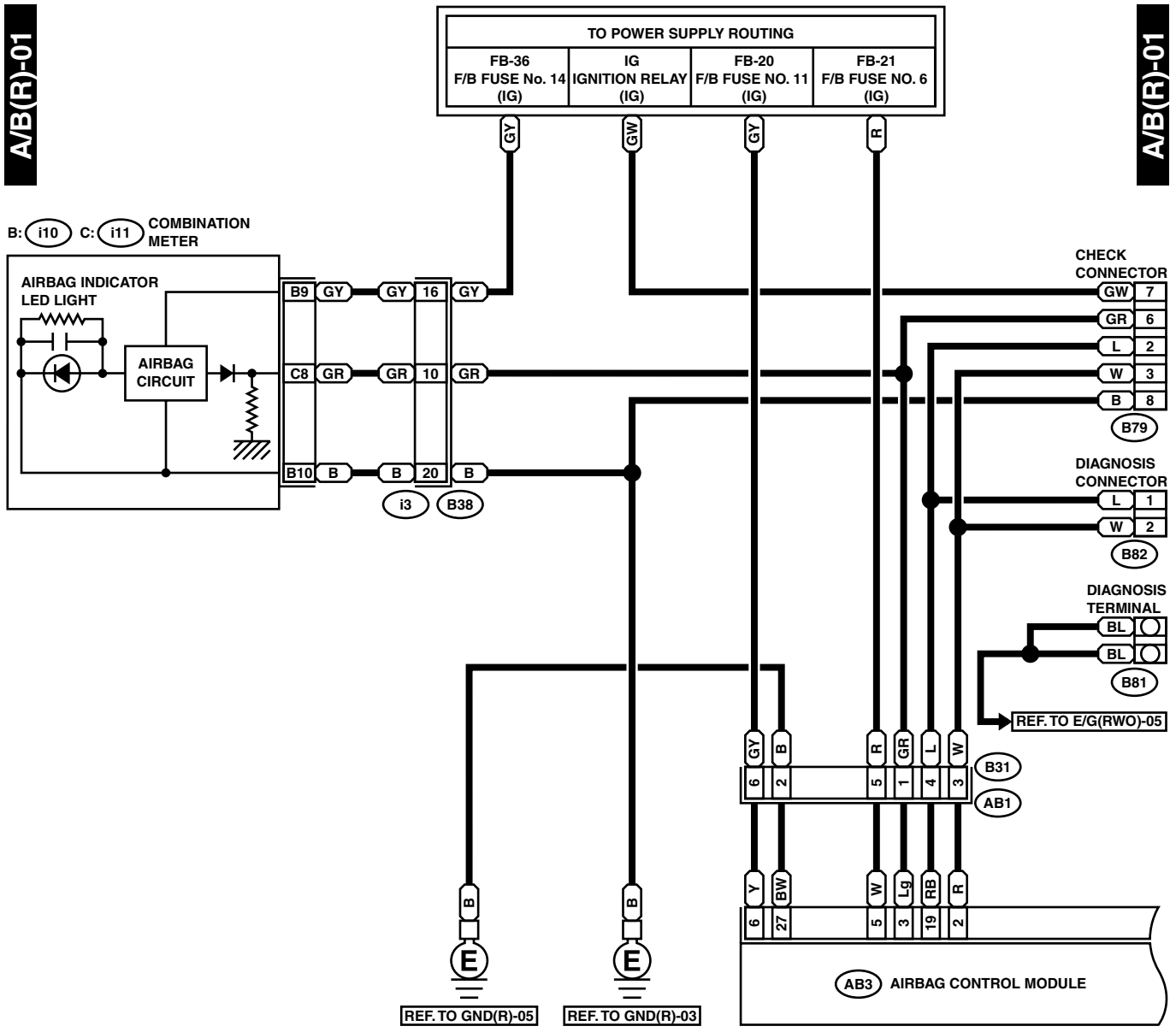


WI-00258

AIRBAG SYSTEM

WIRING SYSTEM

2. RHD MODEL



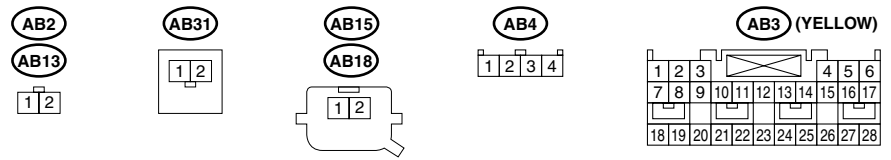
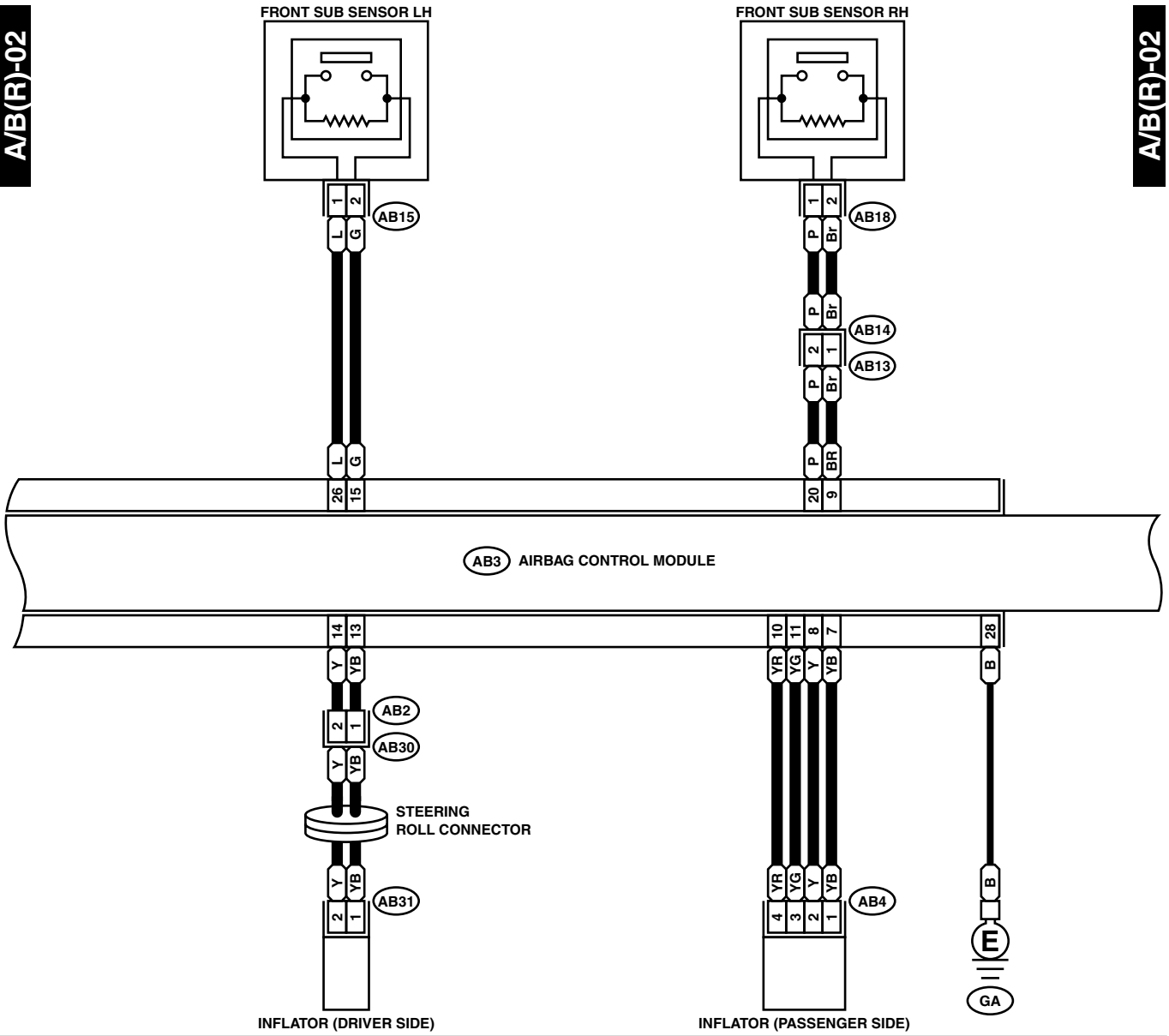
WI-00259

AIRBAG SYSTEM

WIRING SYSTEM

A/B(R)-02

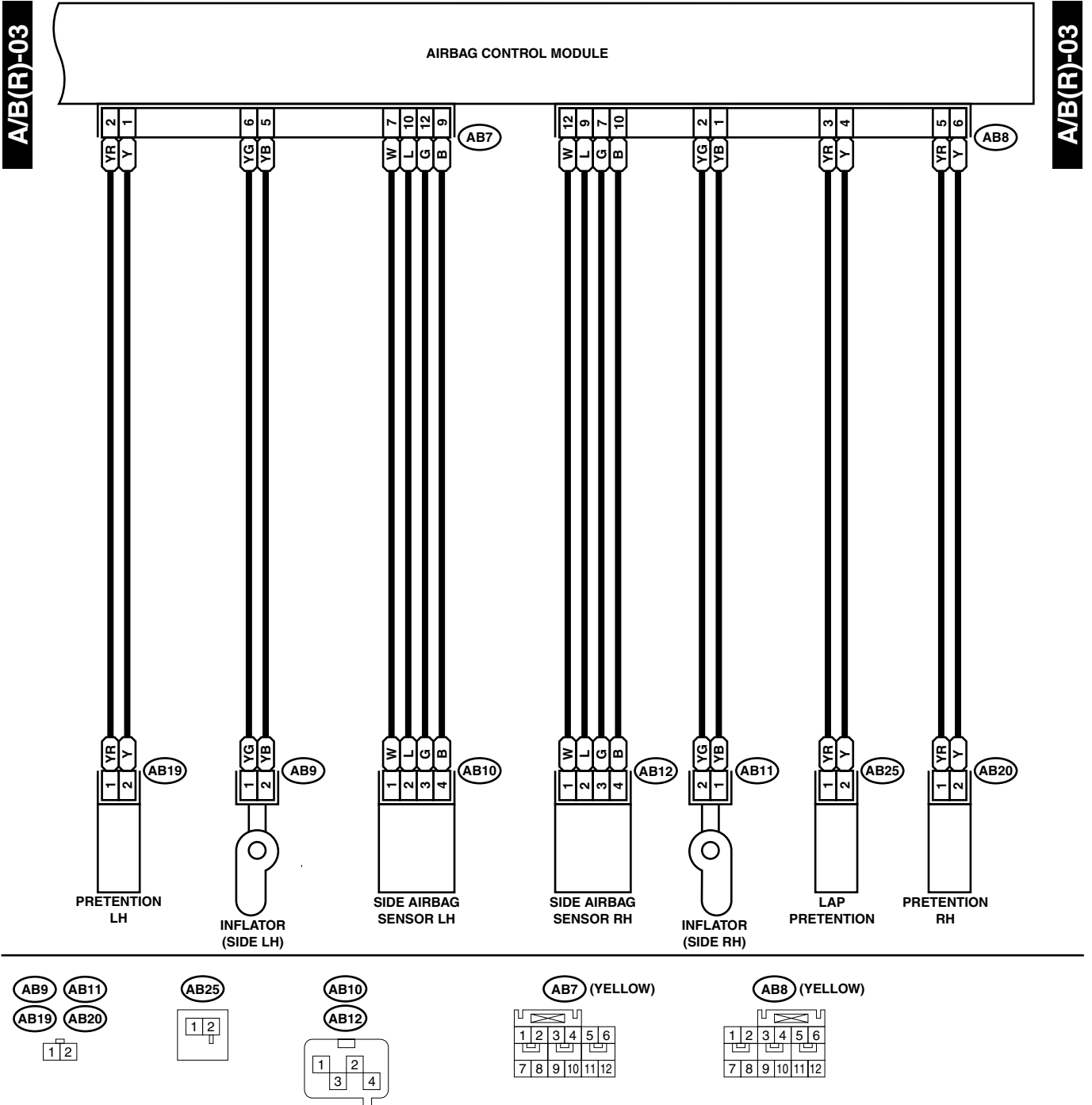
A/B(R)-02



WI-00260

AIRBAG SYSTEM

WIRING SYSTEM



WI-00261

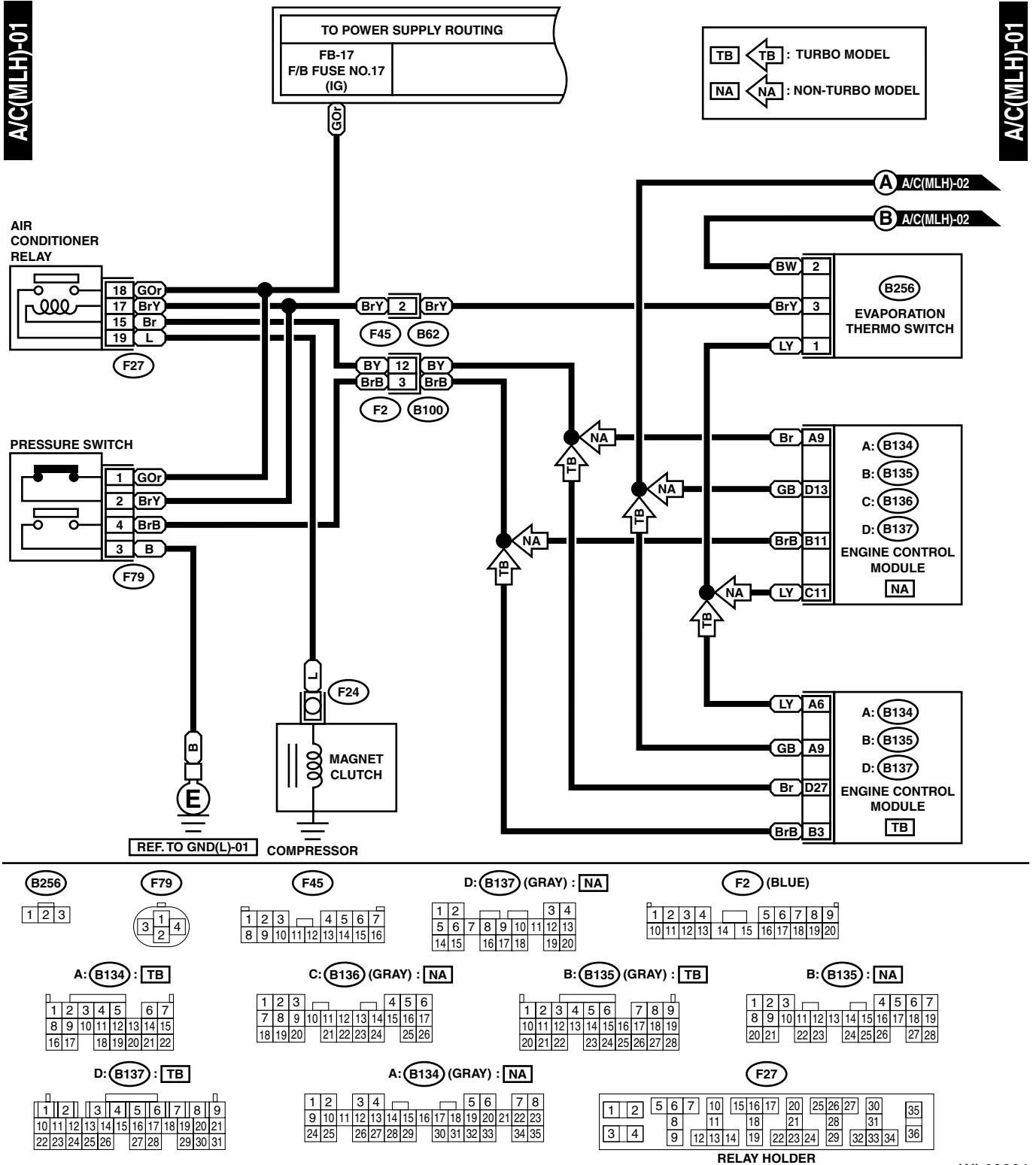
AIR CONDITIONING SYSTEM

WIRING SYSTEM

6. Air Conditioning System

A: SCHEMATIC

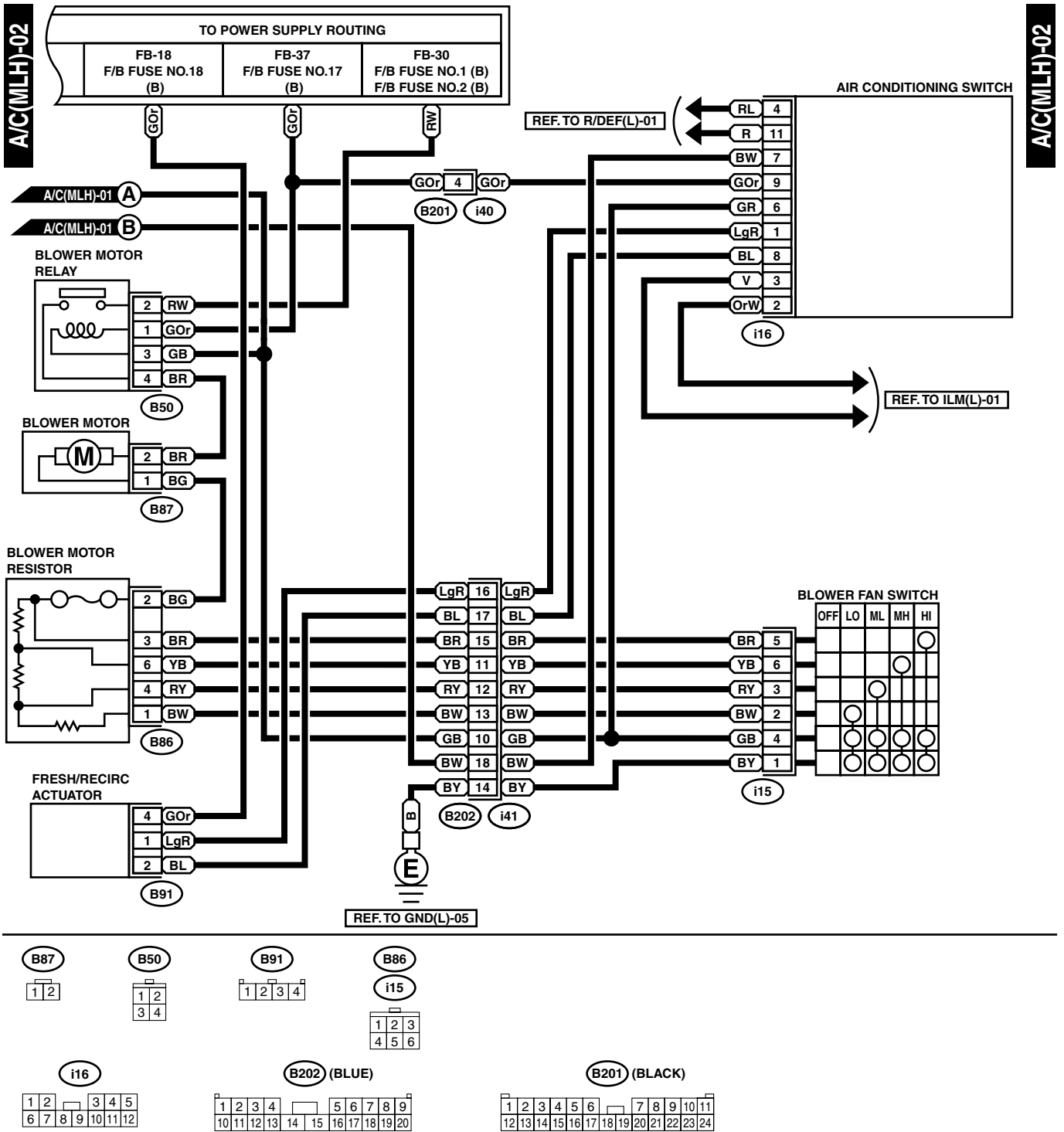
1. MANUAL A/C LHD MODEL



WI-00264

AIR CONDITIONING SYSTEM

WIRING SYSTEM

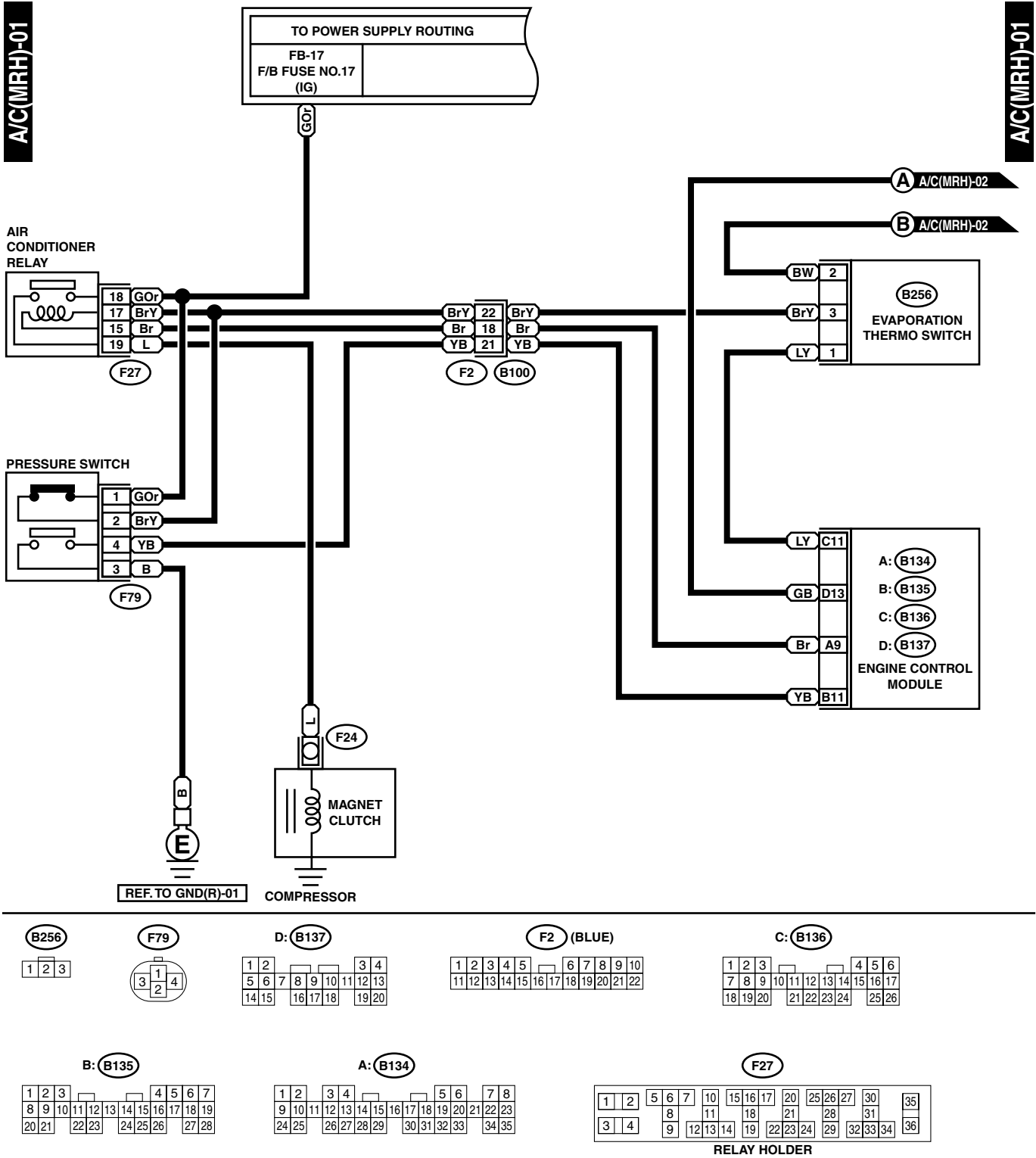


WI-00265

AIR CONDITIONING SYSTEM

WIRING SYSTEM

2. MANUAL A/C RHD MODEL



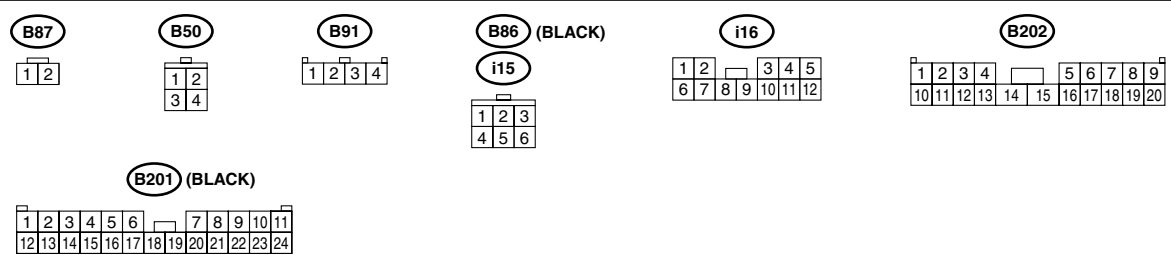
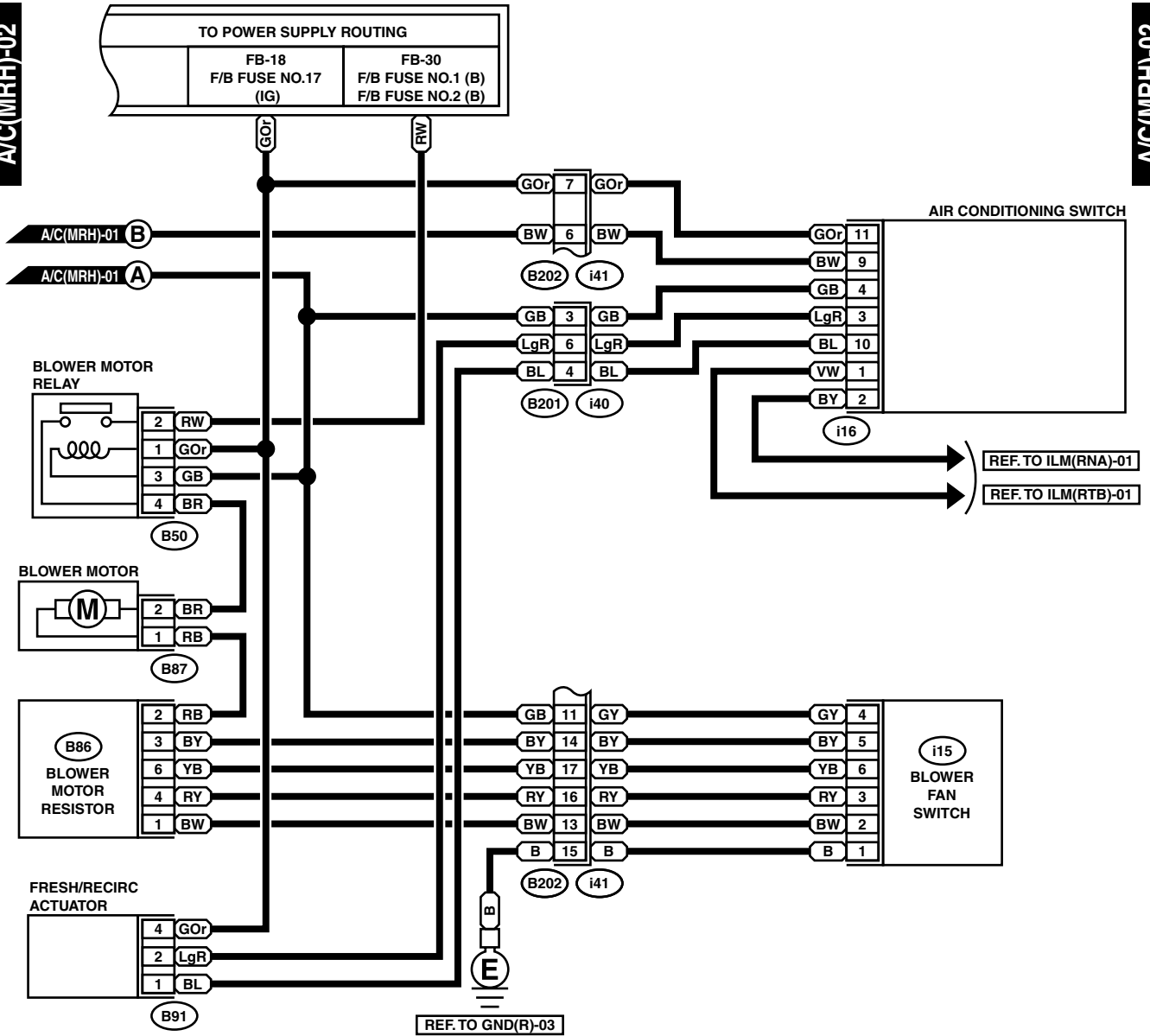
WI-00266

AIR CONDITIONING SYSTEM

WIRING SYSTEM

A/C(MRH)-02

A/C(MRH)-02

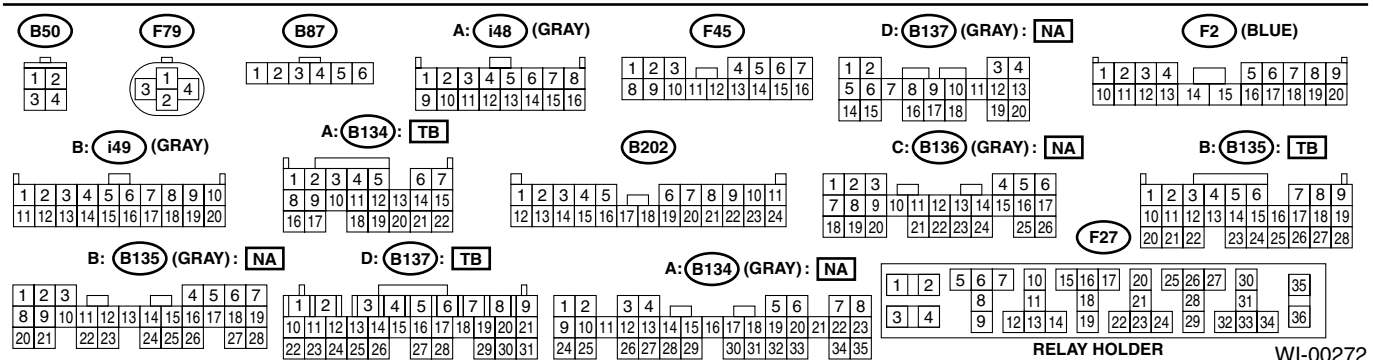
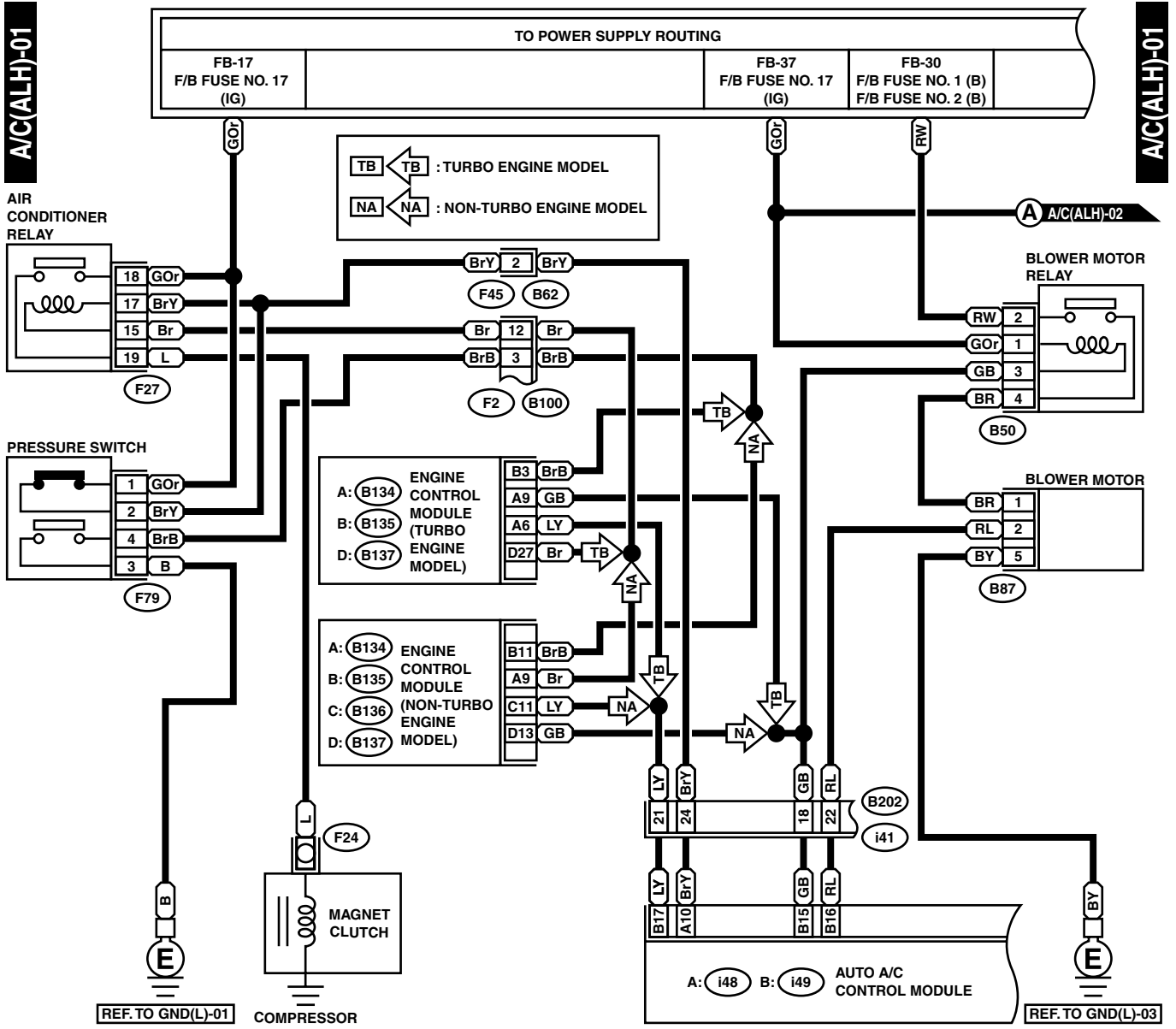


WI-00267

AIR CONDITIONING SYSTEM

WIRING SYSTEM

3. AUTO A/C LHD MODEL

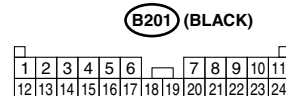
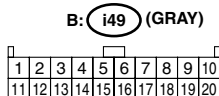
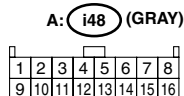
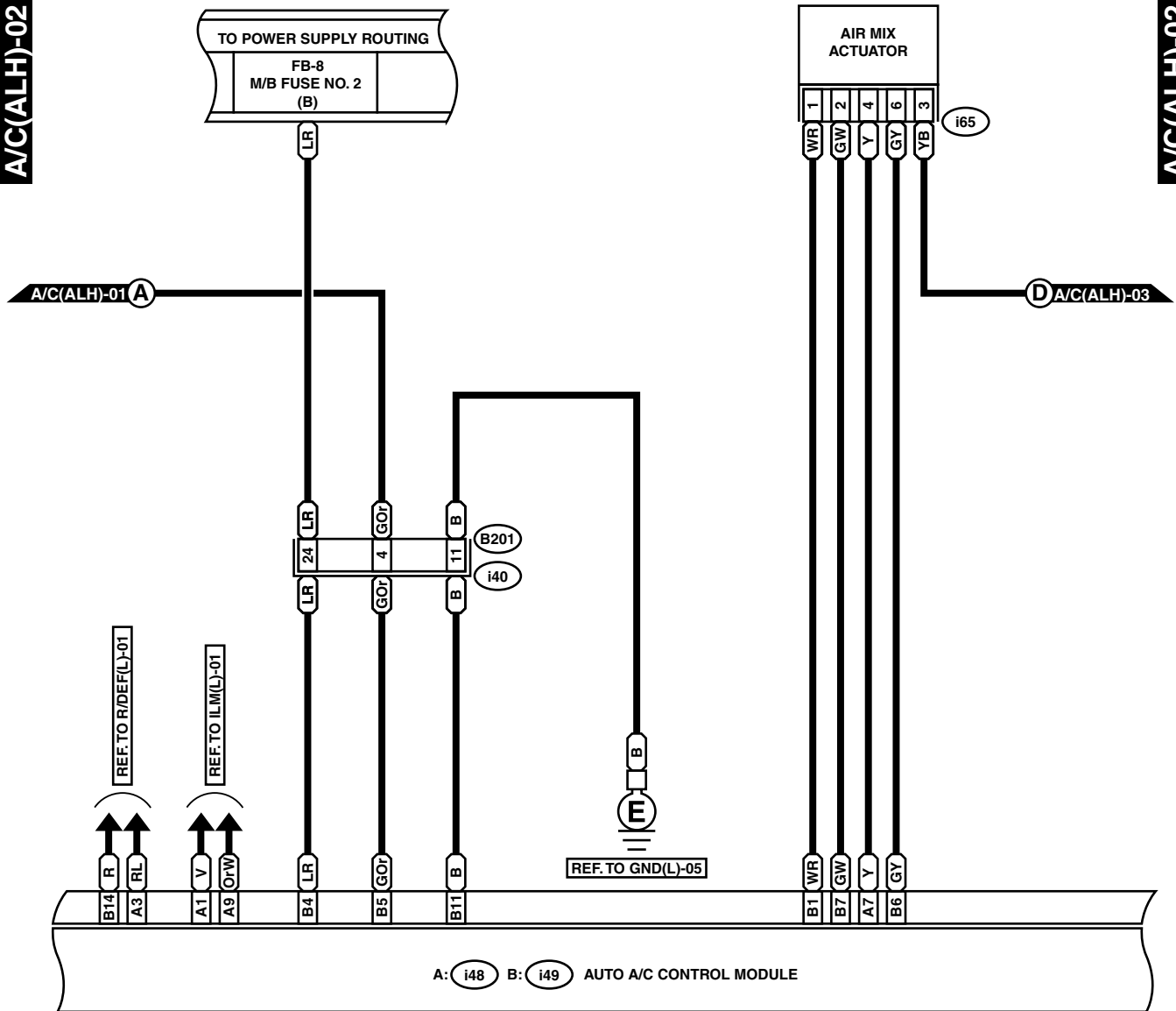


AIR CONDITIONING SYSTEM

WIRING SYSTEM

A/C(ALH)-02

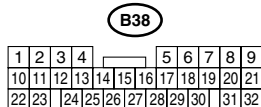
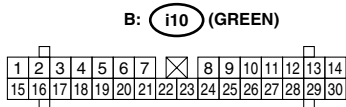
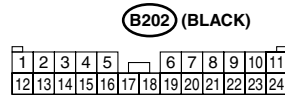
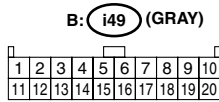
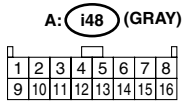
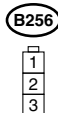
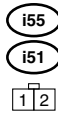
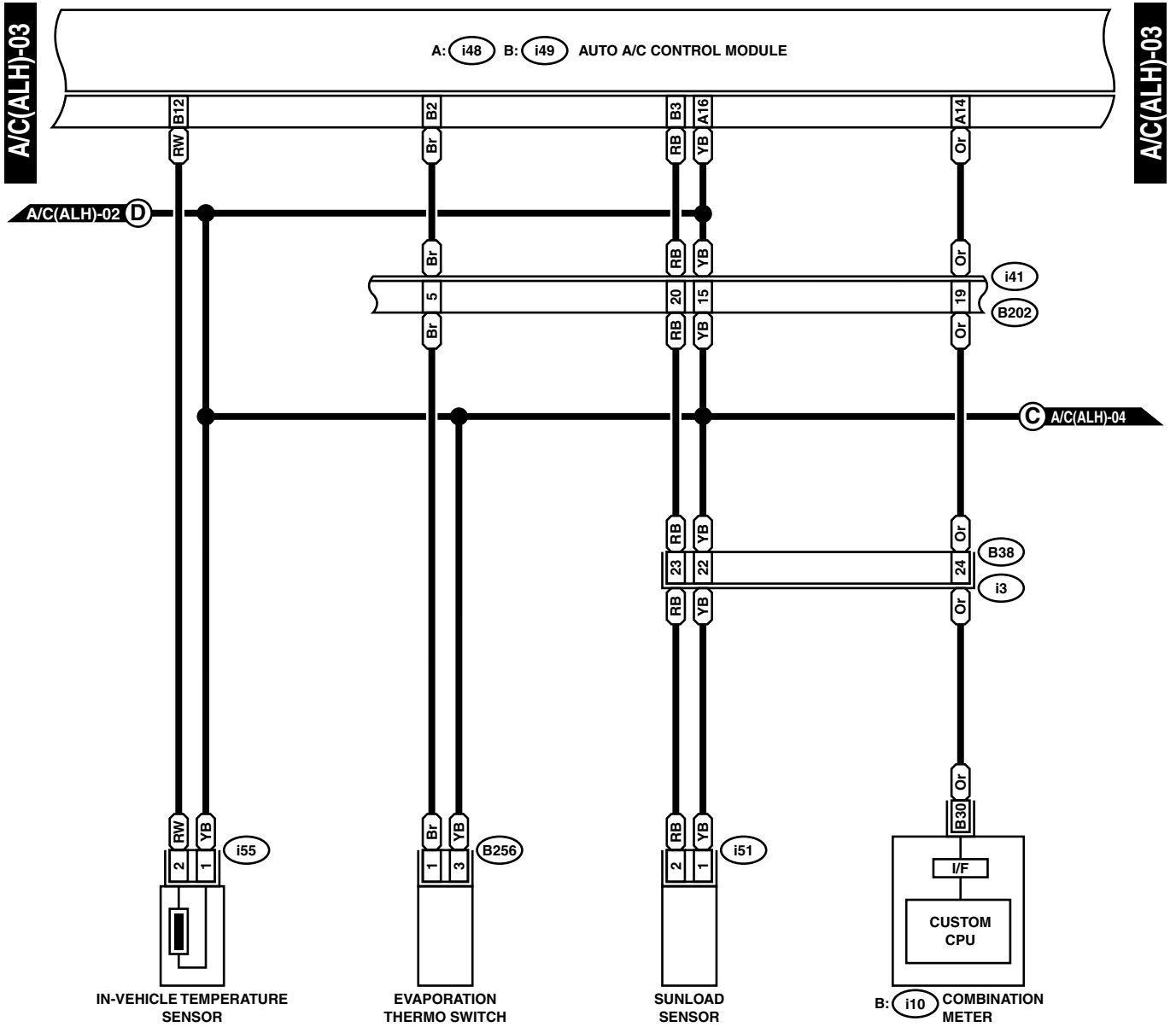
A/C(ALH)-02



WI-00273

AIR CONDITIONING SYSTEM

WIRING SYSTEM



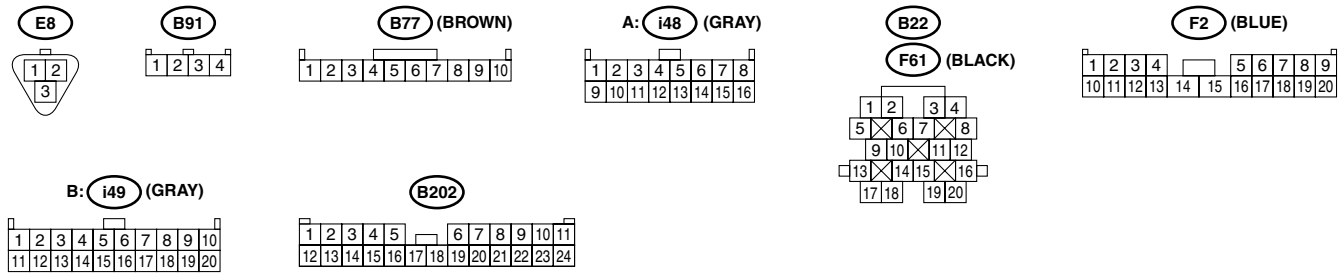
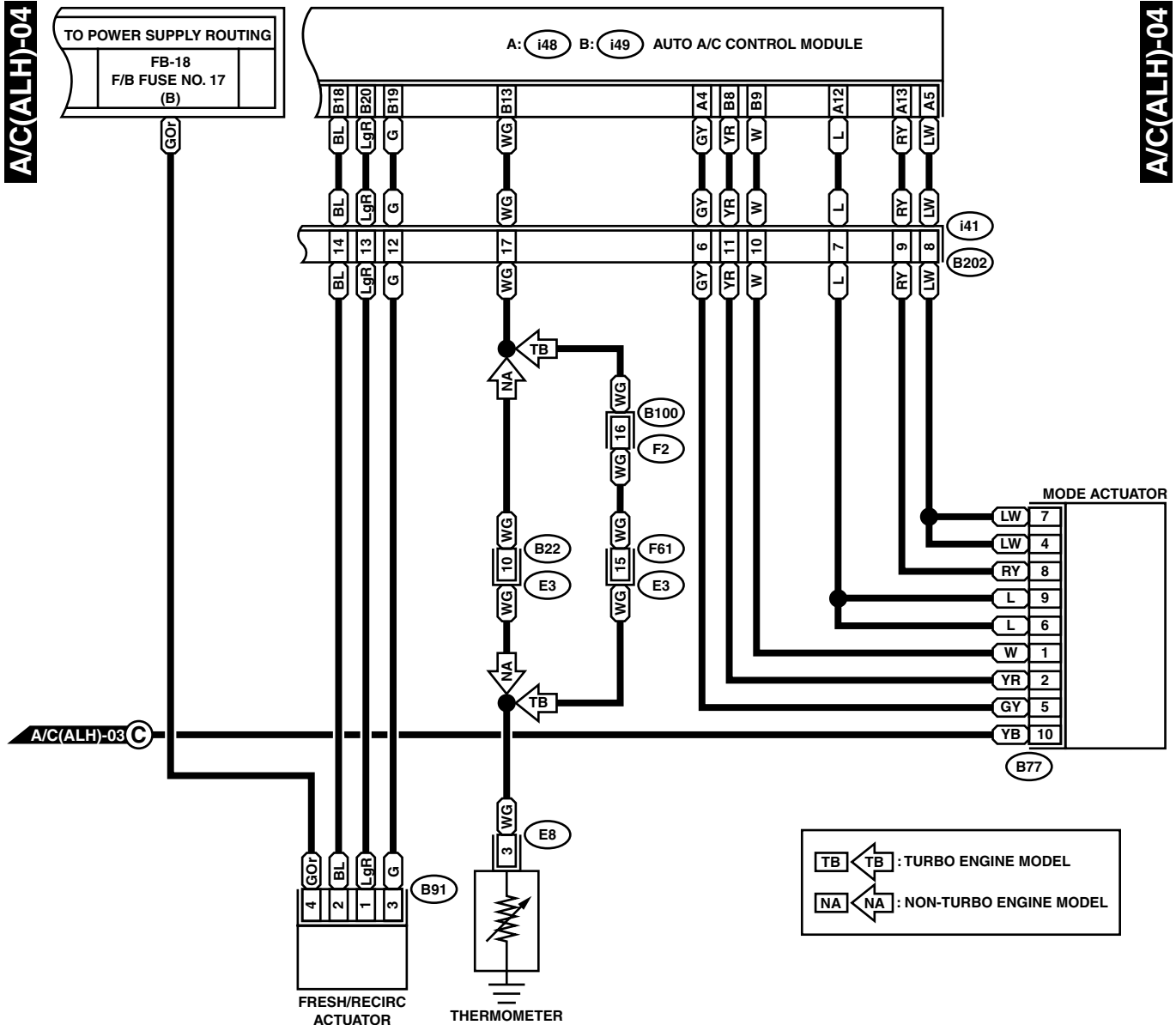
WI-00274

AIR CONDITIONING SYSTEM

WIRING SYSTEM

A/C(ALH)-04

A/C(ALH)-04

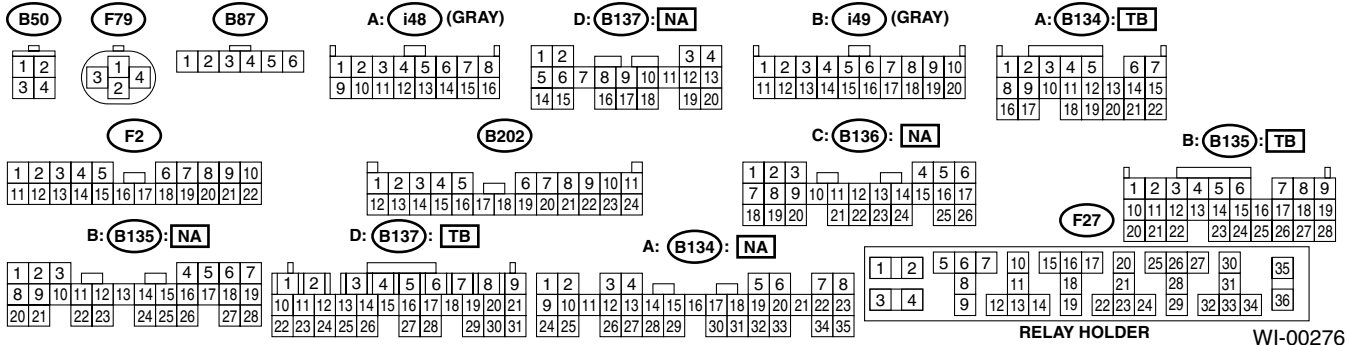
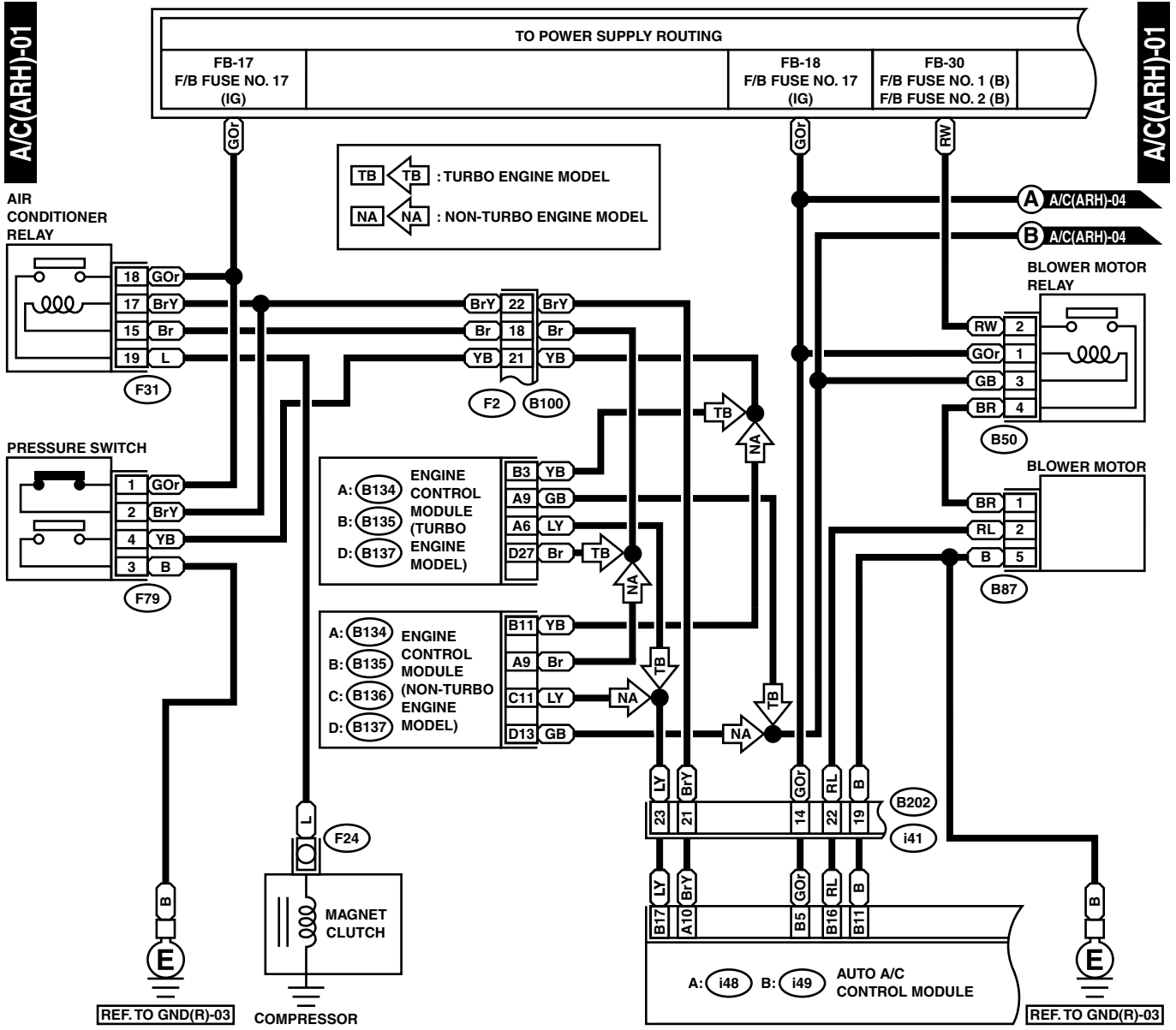


WI-00275

AIR CONDITIONING SYSTEM

WIRING SYSTEM

4. AUTO A/C RHD MODEL

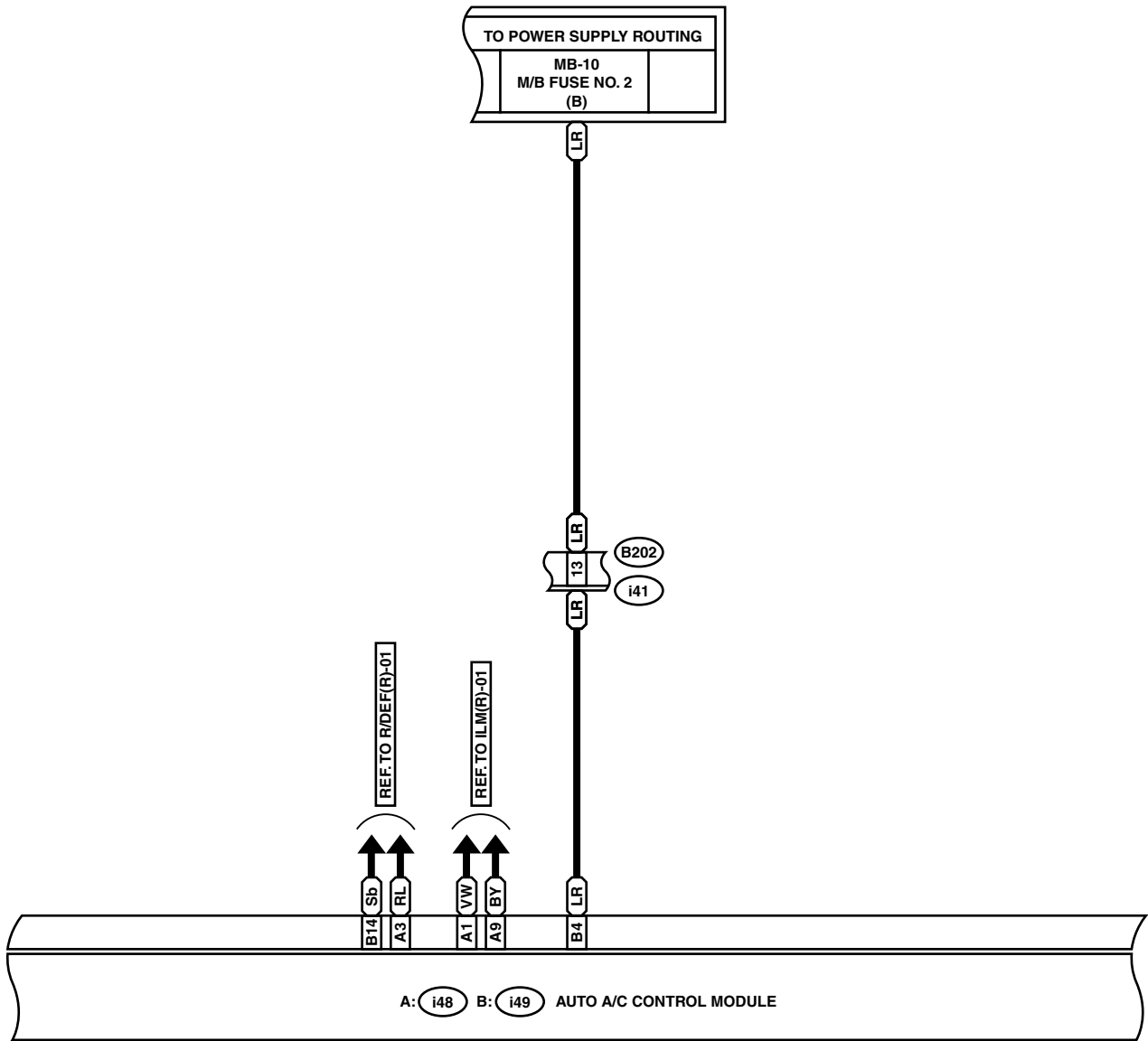


AIR CONDITIONING SYSTEM

WIRING SYSTEM

A/C(ARH)-02

A/C(ARH)-02



A: i48 (GRAY)

1	2	3	4	5	6	7	8
9	10	11	12	13	14	15	16

B: i49 (GRAY)

1	2	3	4	5	6	7	8	9	10
11	12	13	14	15	16	17	18	19	20

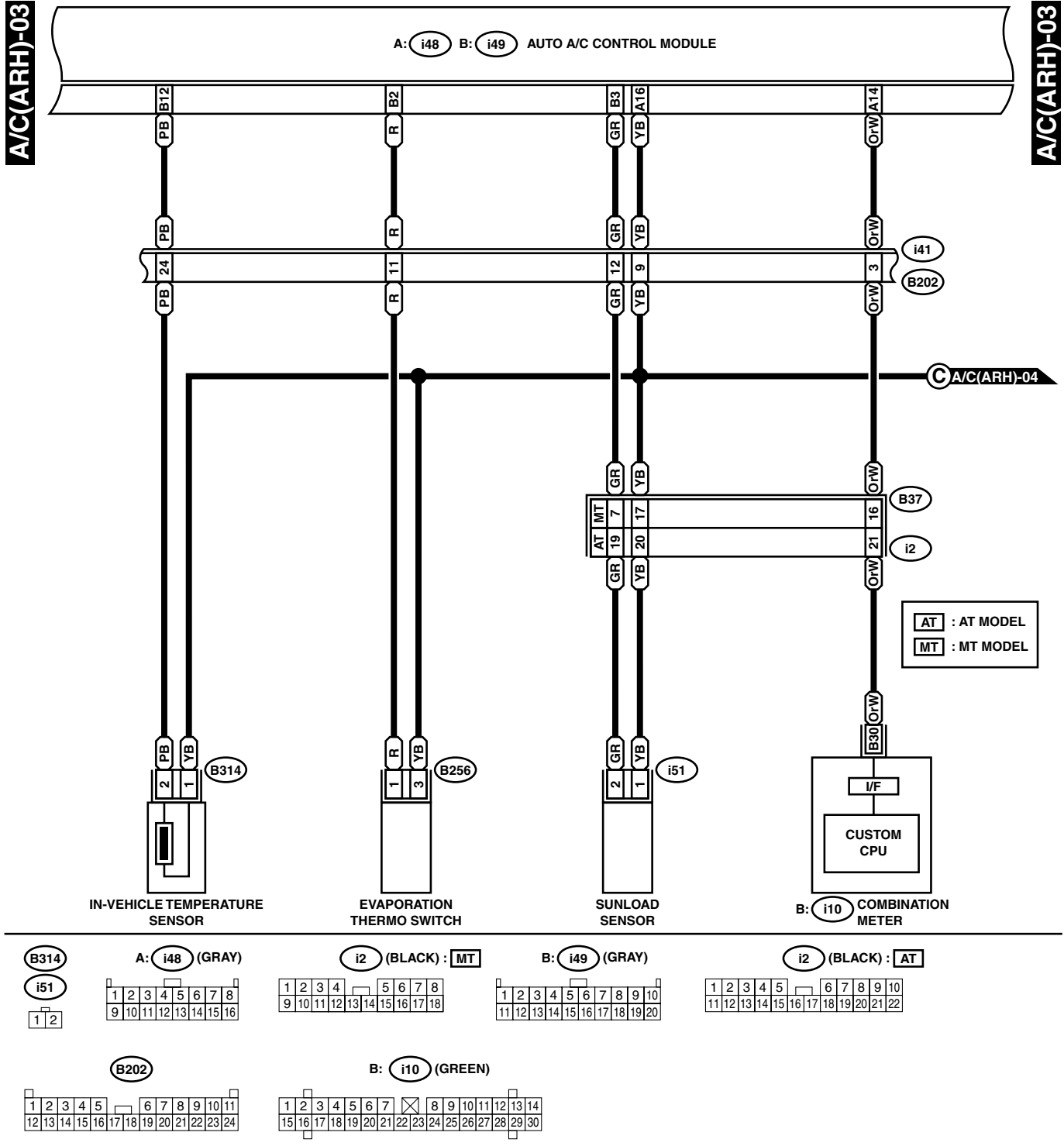
B202

1	2	3	4	5	6	7	8	9	10	11		
12	13	14	15	16	17	18	19	20	21	22	23	24

WI-00277

AIR CONDITIONING SYSTEM

WIRING SYSTEM



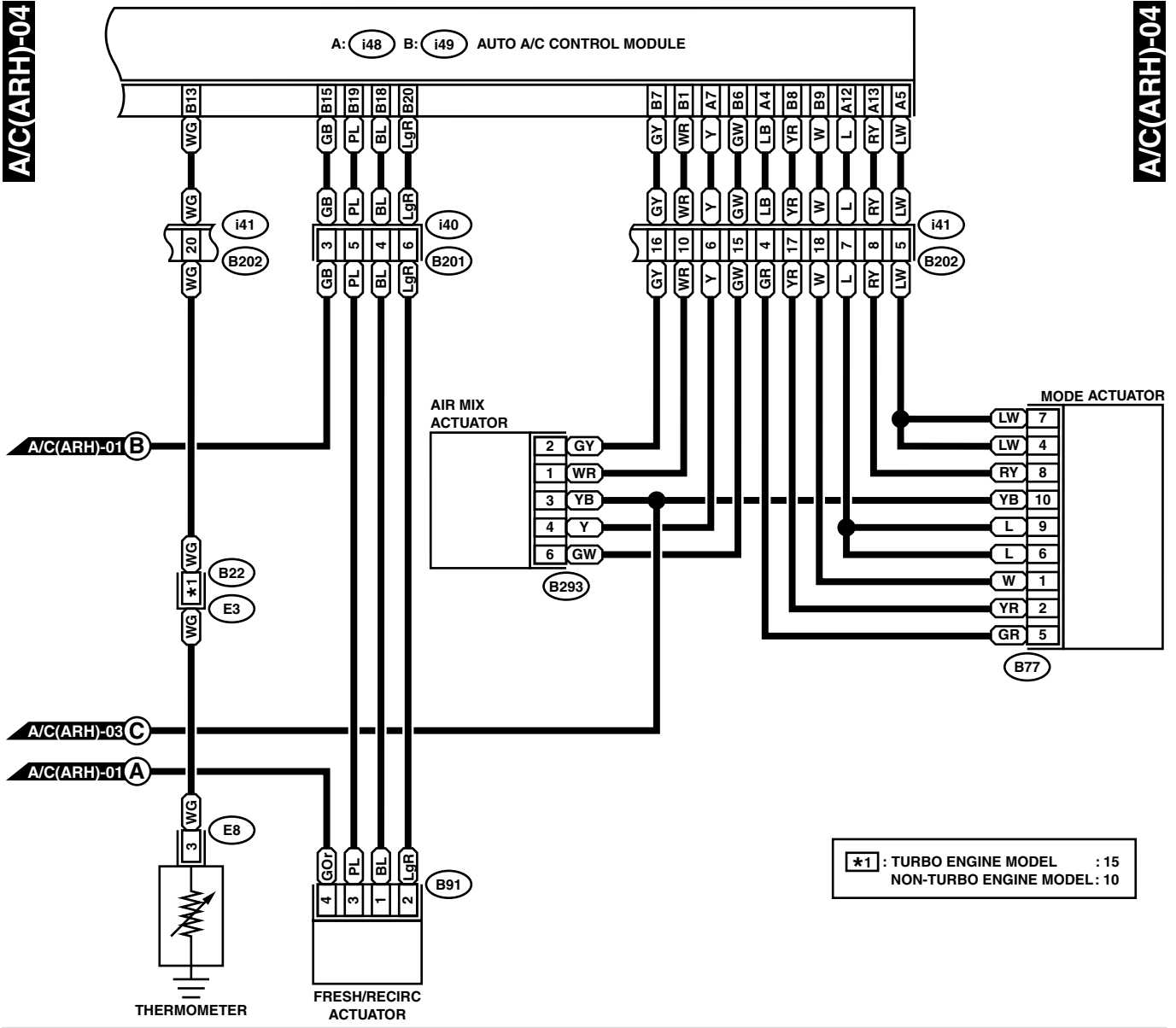
WI-00278

AIR CONDITIONING SYSTEM

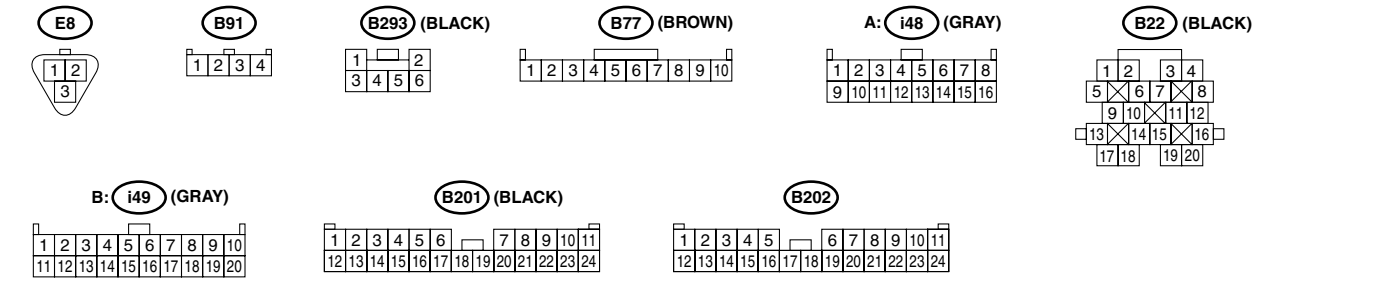
WIRING SYSTEM

A/C(ARH)-04

A/C(ARH)-04



★1 : TURBO ENGINE MODEL : 15
NON-TURBO ENGINE MODEL : 10



WI-00279

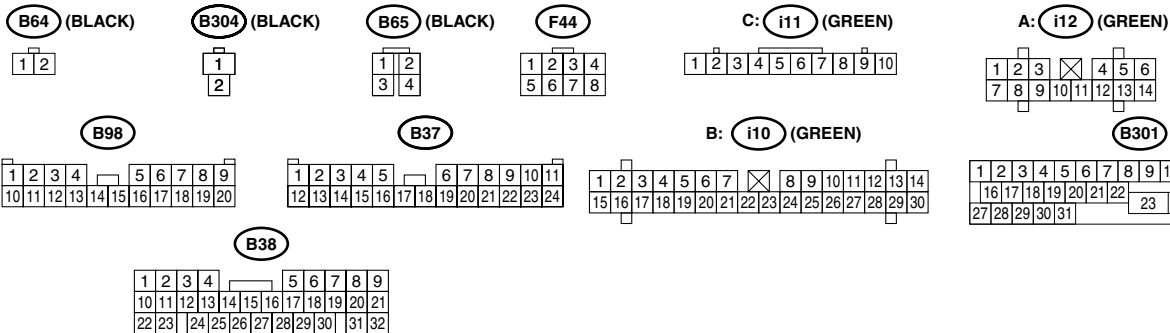
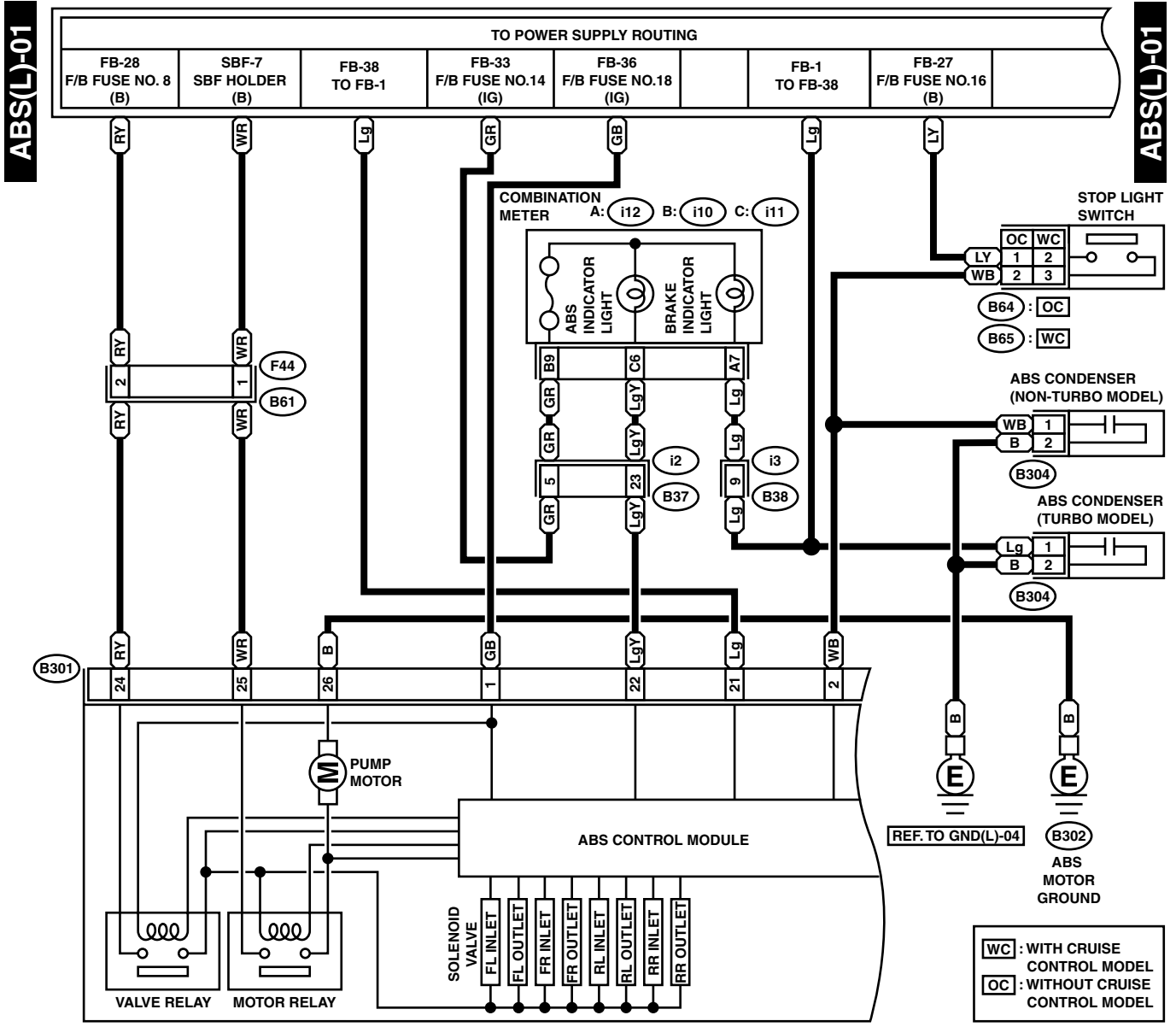
ANTI-LOCK BRAKE SYSTEM

WIRING SYSTEM

7. Anti-lock Brake System

A: SCHEMATIC

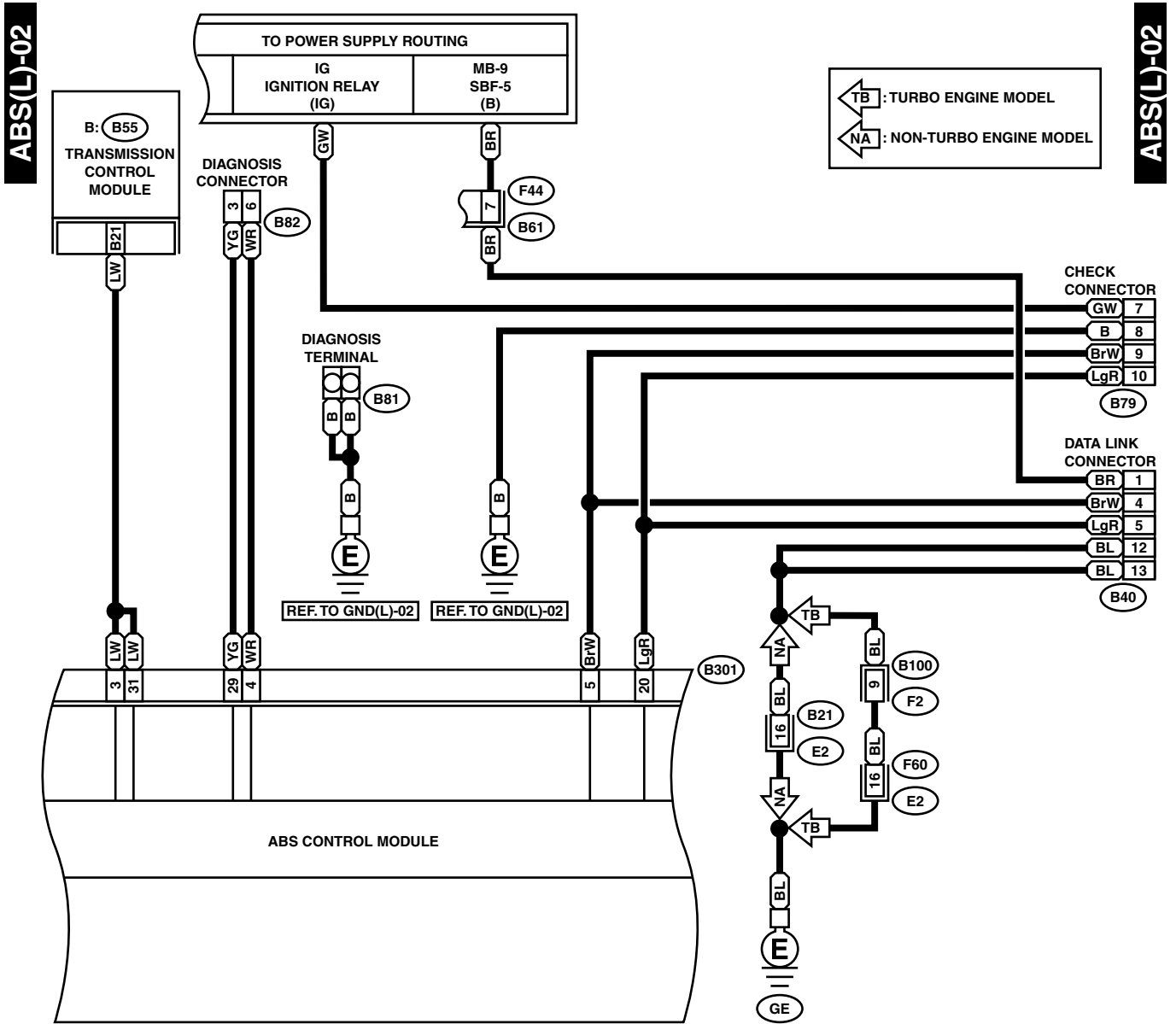
1. LHD MODEL



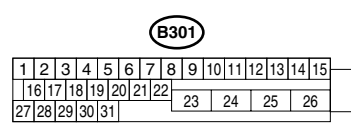
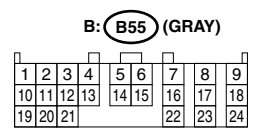
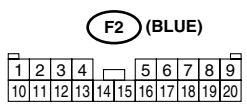
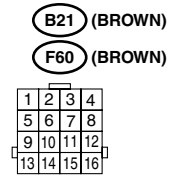
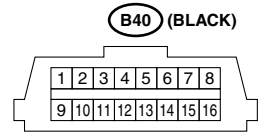
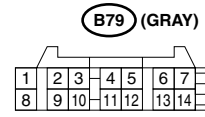
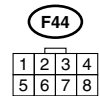
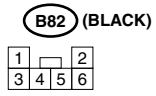
WI-00284

ANTI-LOCK BRAKE SYSTEM

WIRING SYSTEM



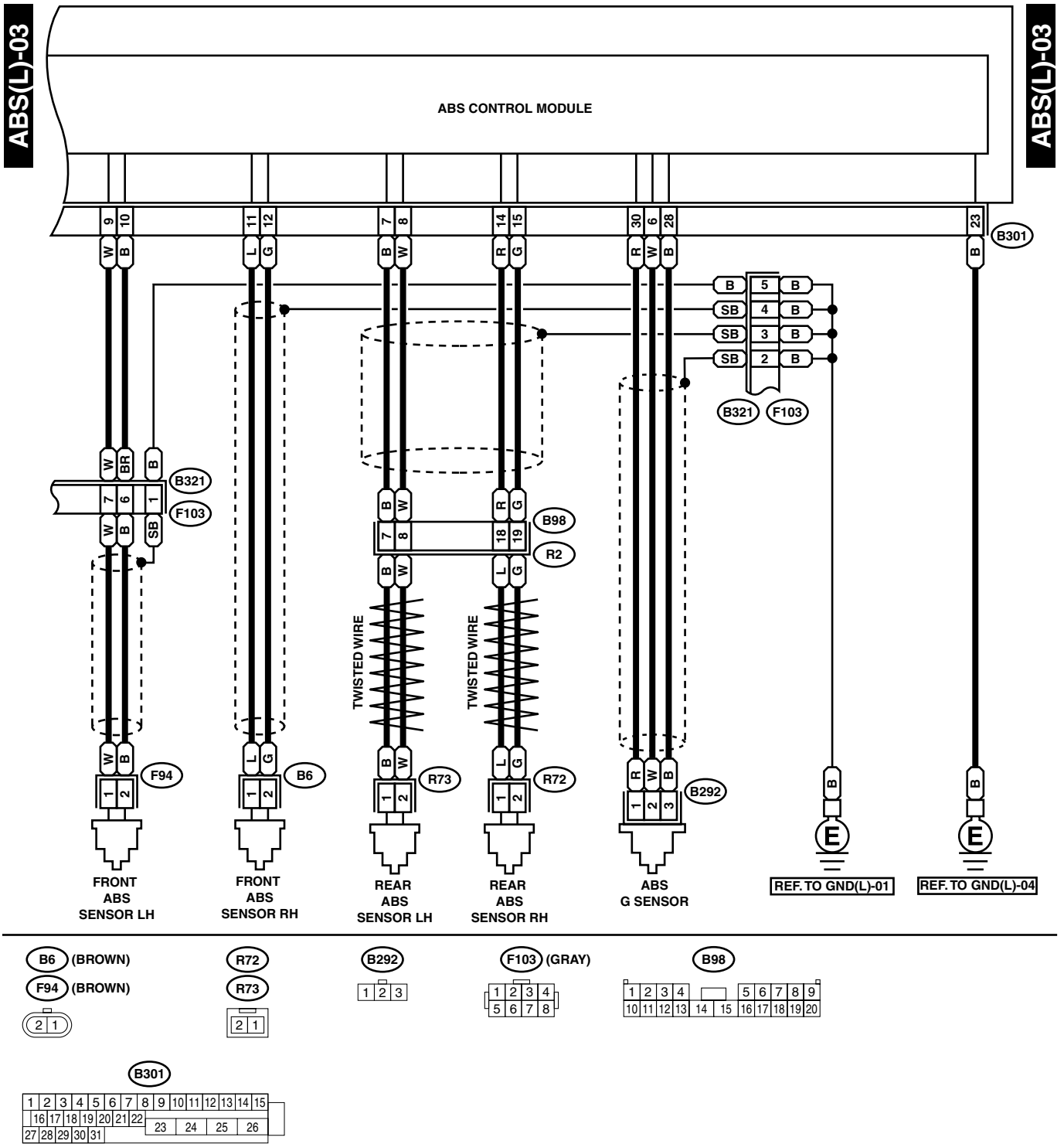
ABS(L)-02



WI-00285

ANTI-LOCK BRAKE SYSTEM

WIRING SYSTEM

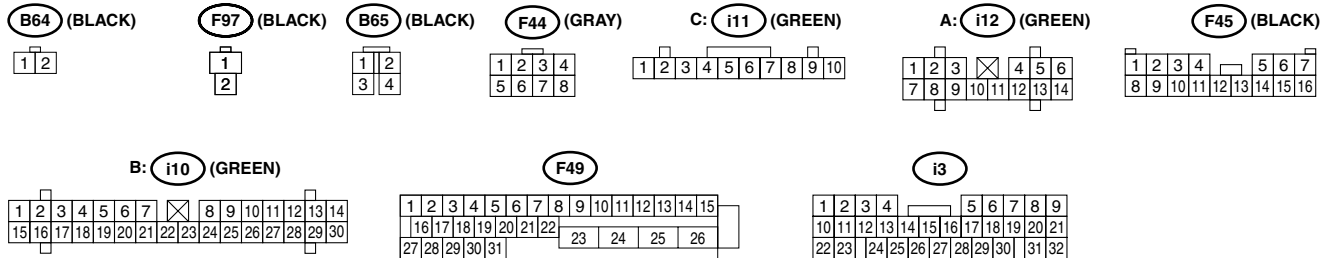
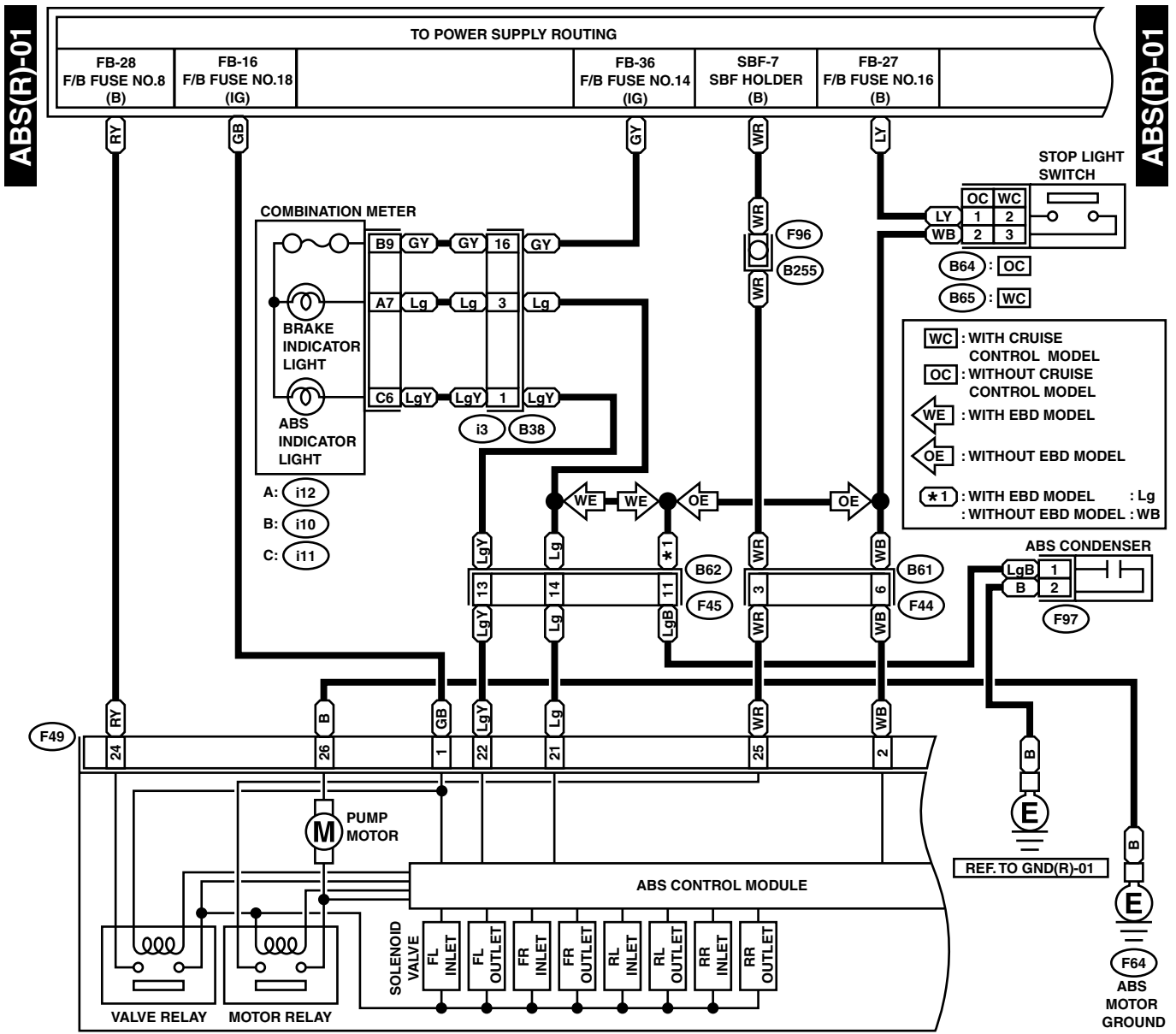


WI-00286

ANTI-LOCK BRAKE SYSTEM

WIRING SYSTEM

2. RHD MODEL



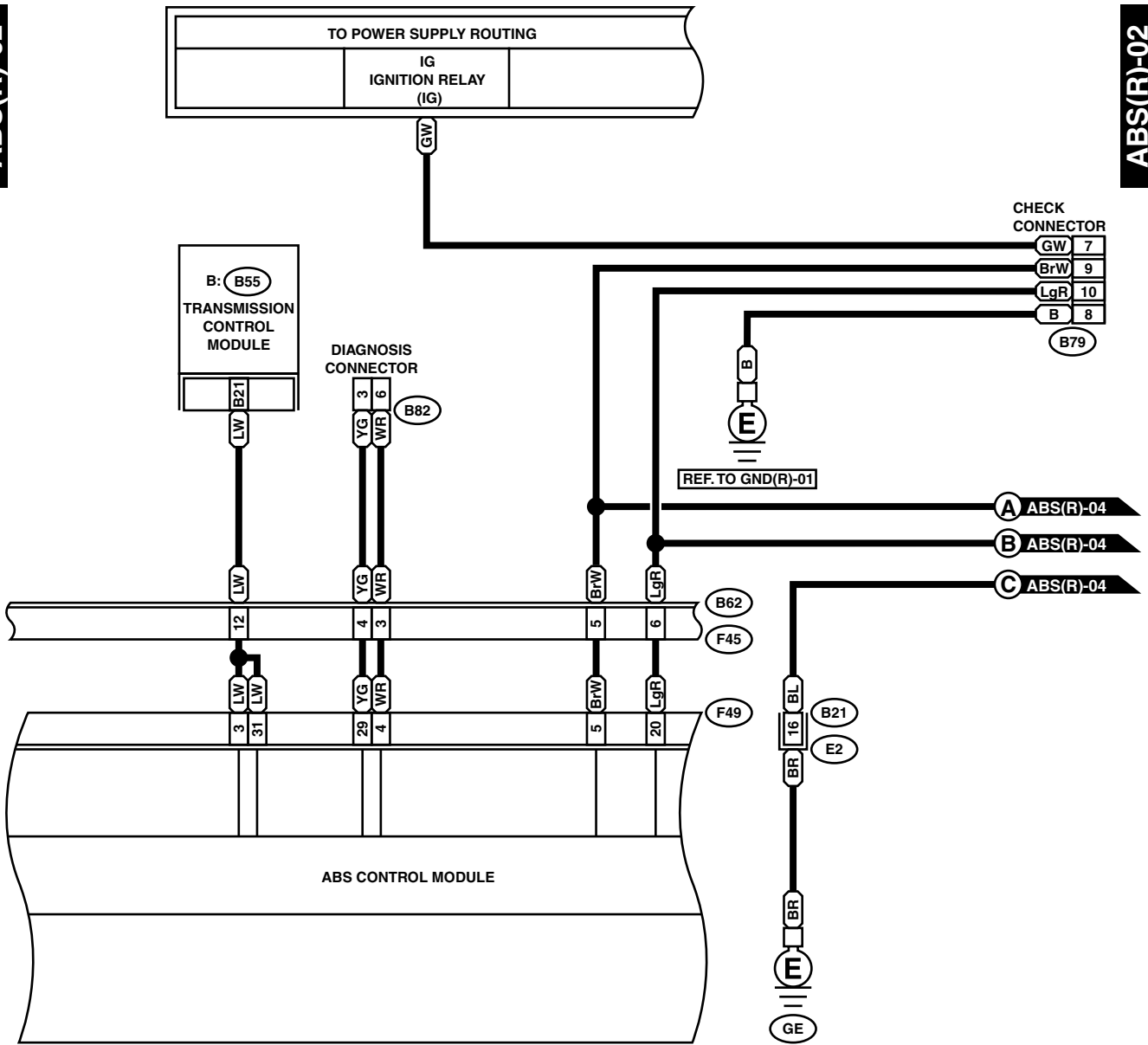
WI-00288

ANTI-LOCK BRAKE SYSTEM

WIRING SYSTEM

ABS(R)-02

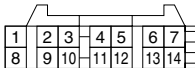
ABS(R)-02



B82 (BLACK)



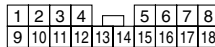
B79 (GRAY)



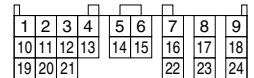
B21 (BROWN)



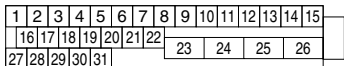
F45 (BLACK)



B: B55 (GRAY)



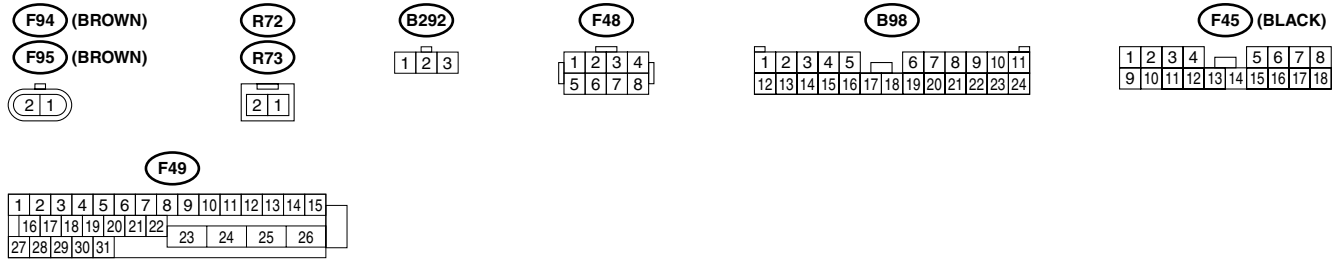
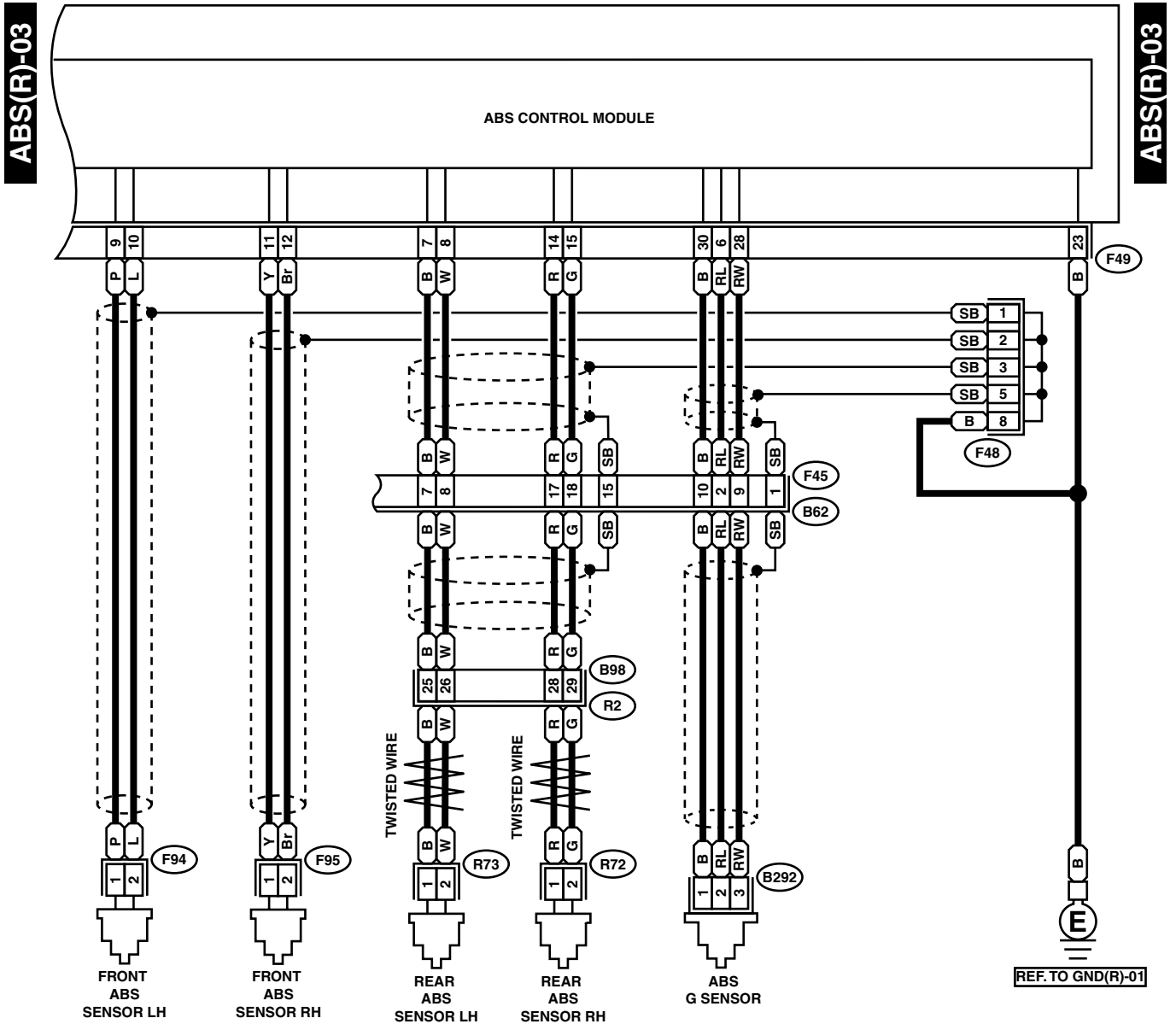
F49



WI-00289

ANTI-LOCK BRAKE SYSTEM

WIRING SYSTEM



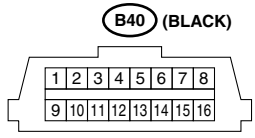
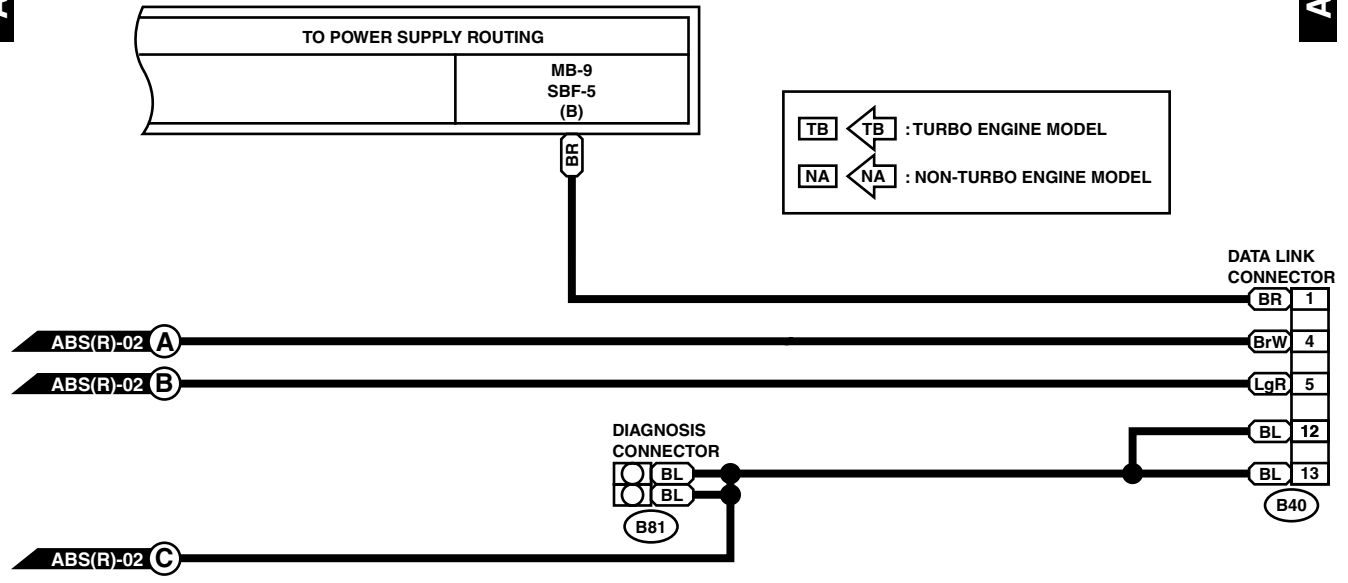
WI-00290

ANTI-LOCK BRAKE SYSTEM

WIRING SYSTEM

ABS(R)-04

ABS(R)-04



WI-00291

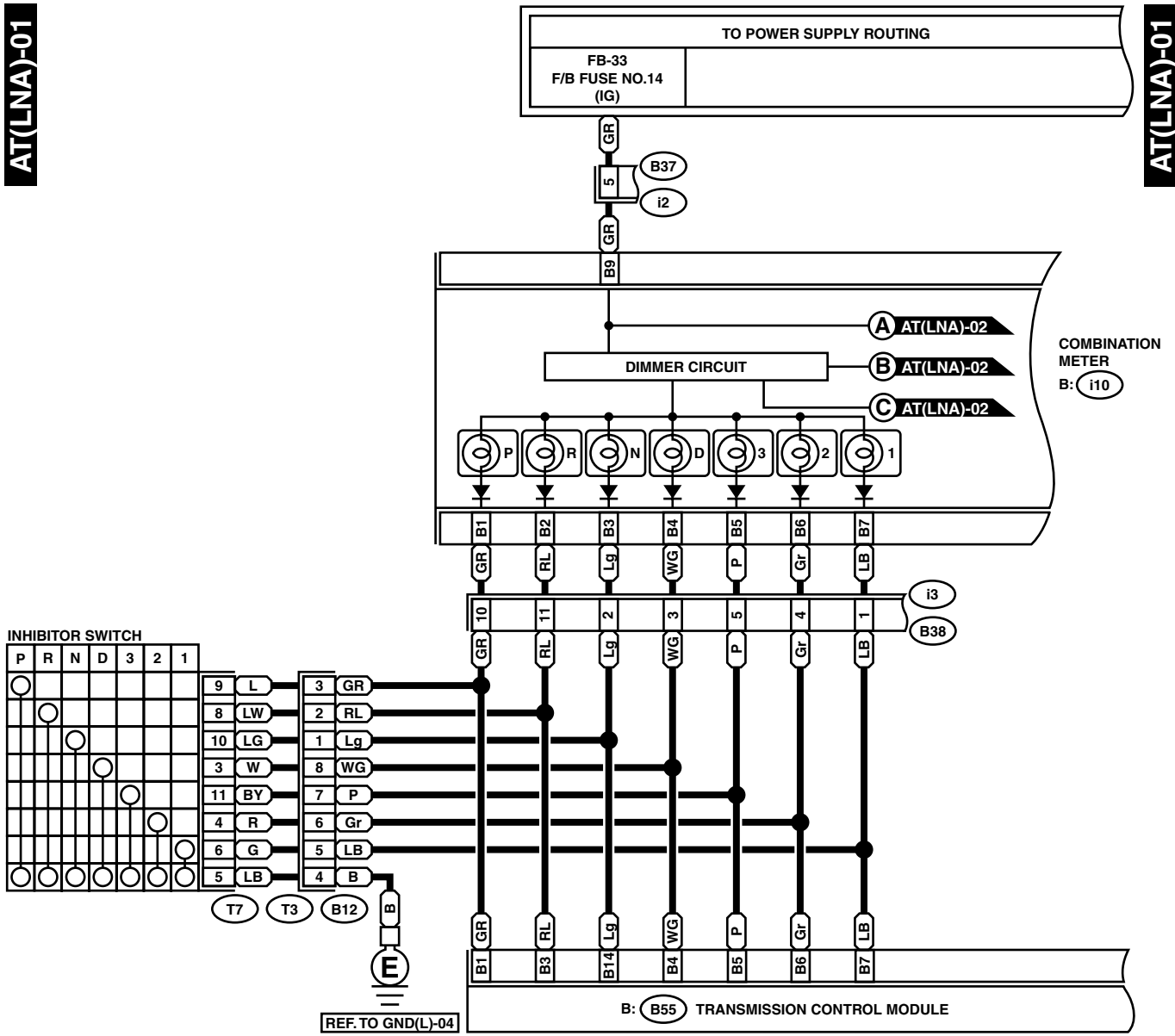
8. A/T Control System

A: SCHEMATIC

1. LHD NON-TURBO MODEL

AT(LNA)-01

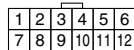
AT(LNA)-01



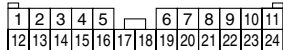
B12 (GRAY)



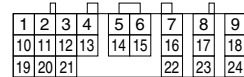
T7



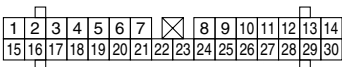
B37



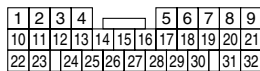
B: B55 (GRAY)



B: i10 (GREEN)



B38

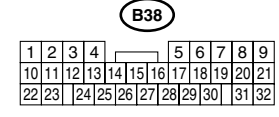
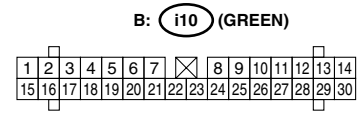
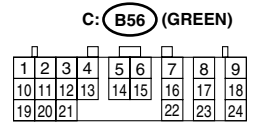
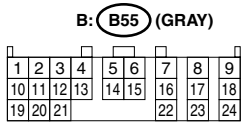
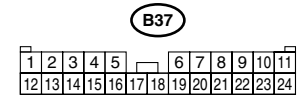
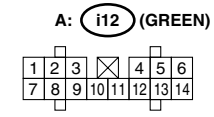
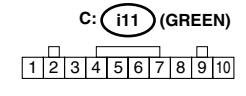
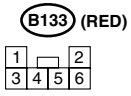
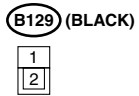
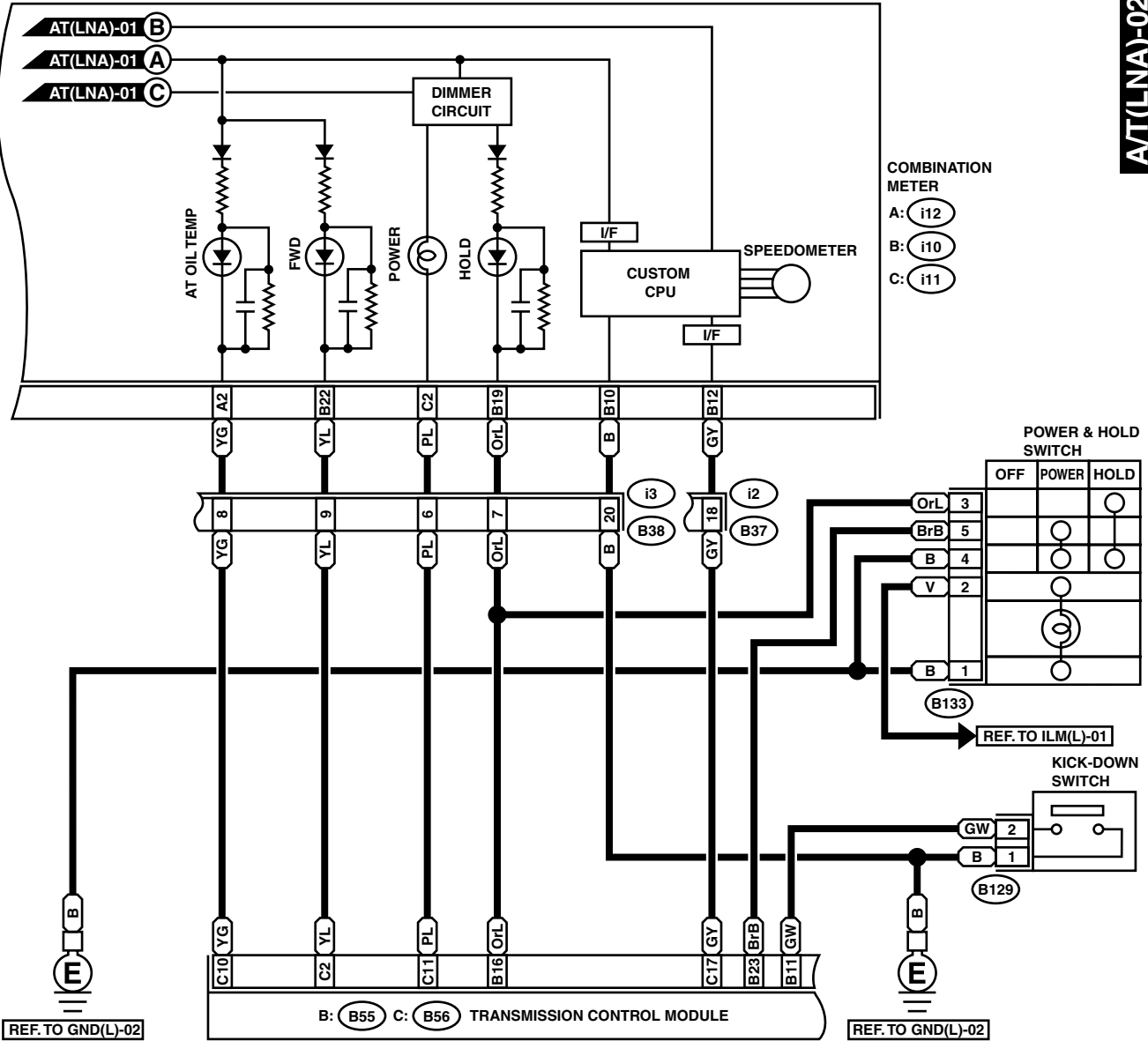


A/T CONTROL SYSTEM

WIRING SYSTEM

AT(LNA)-02

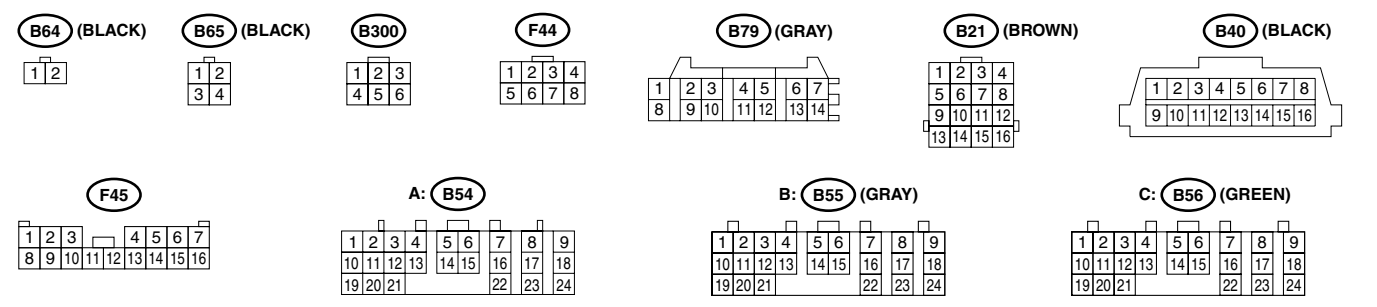
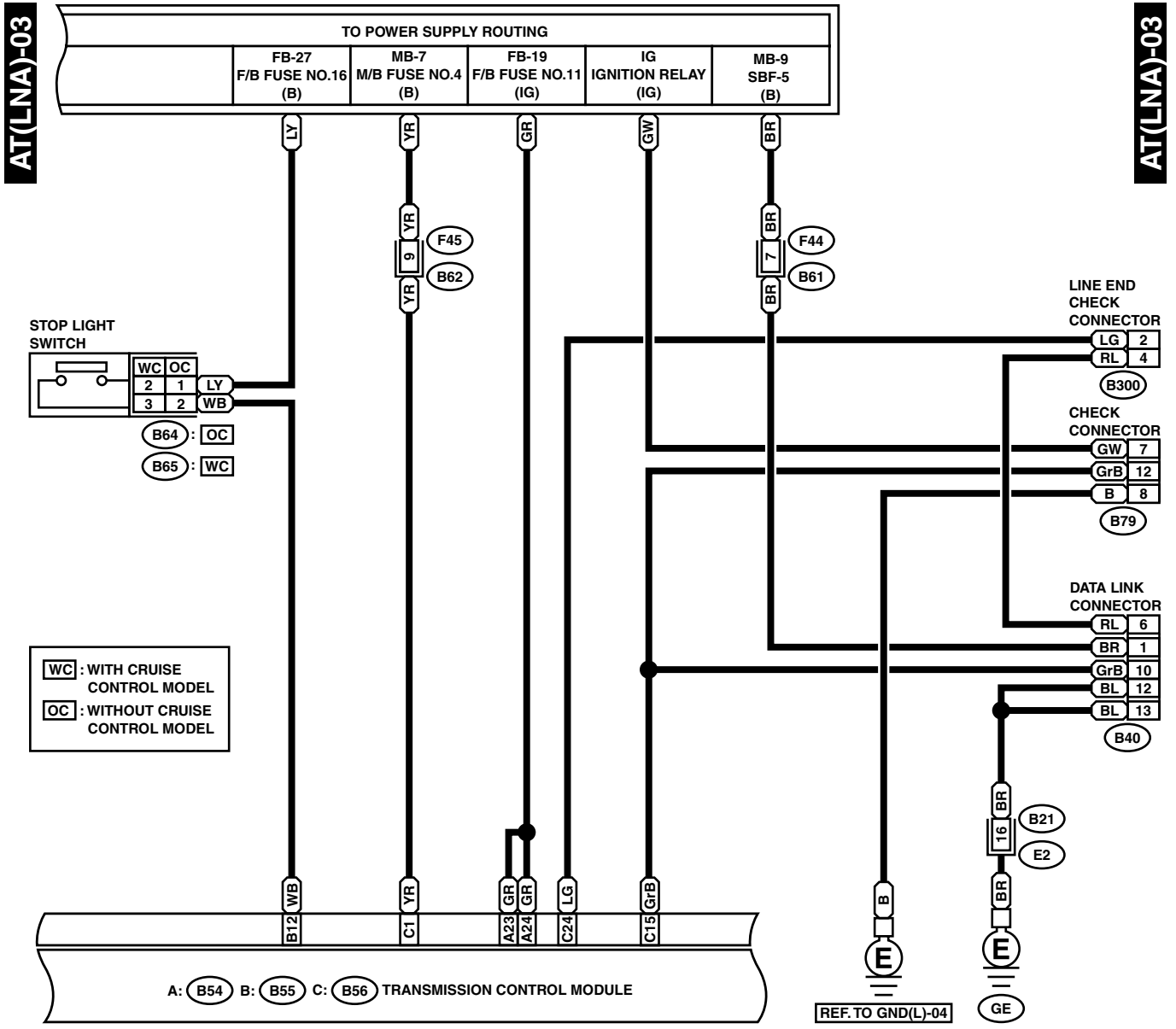
AT(LNA)-02



WI-00296

A/T CONTROL SYSTEM

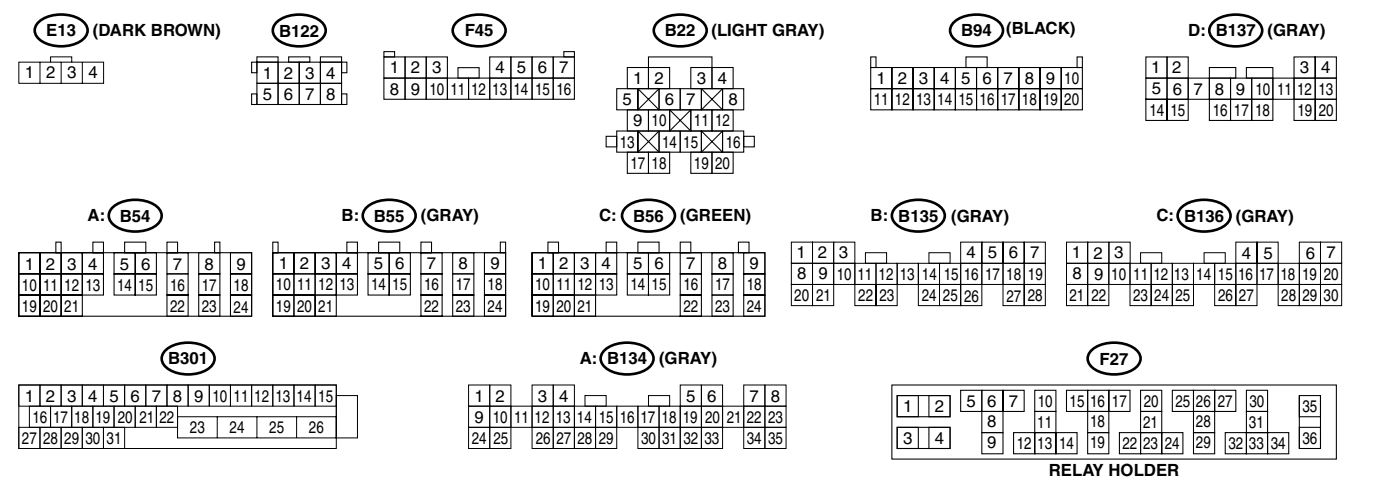
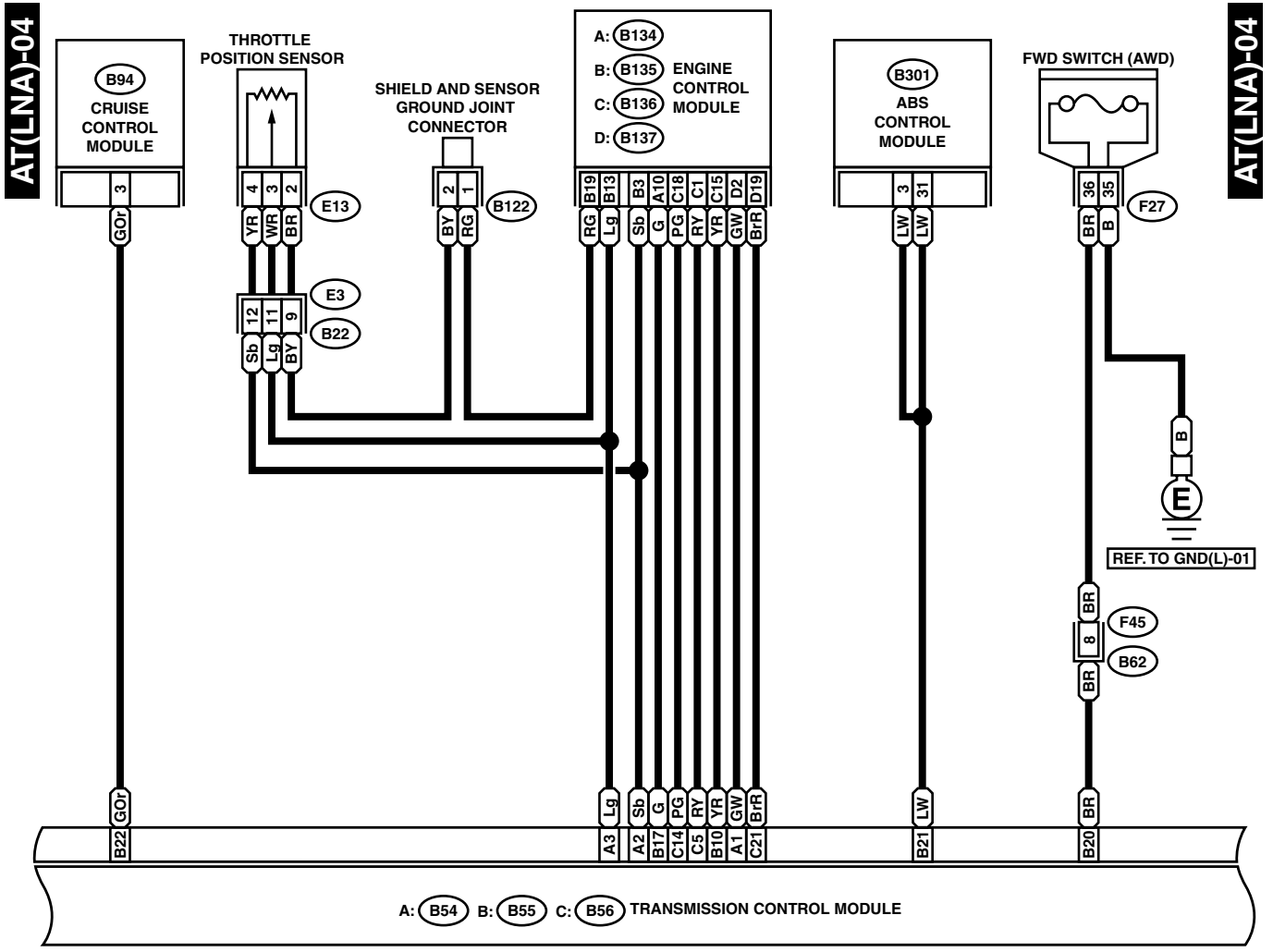
WIRING SYSTEM



WI-00297

A/T CONTROL SYSTEM

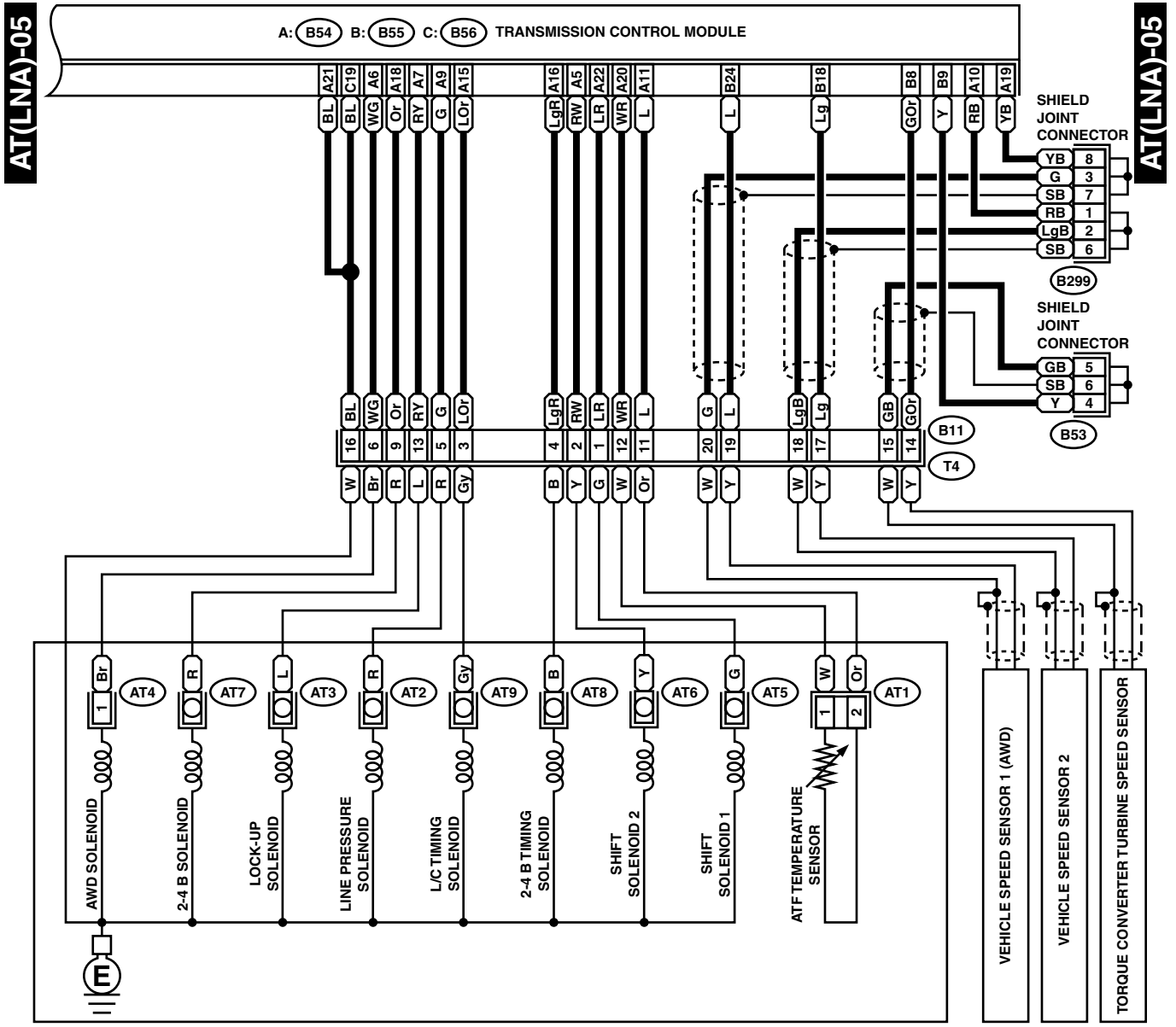
WIRING SYSTEM



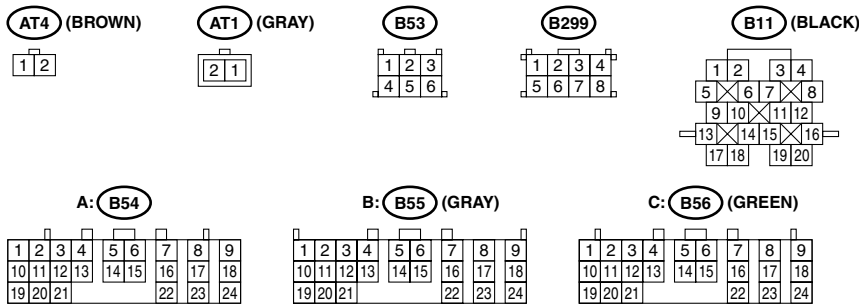
WI-00298

A/T CONTROL SYSTEM

WIRING SYSTEM



AT(LNA)-05



WI-00299

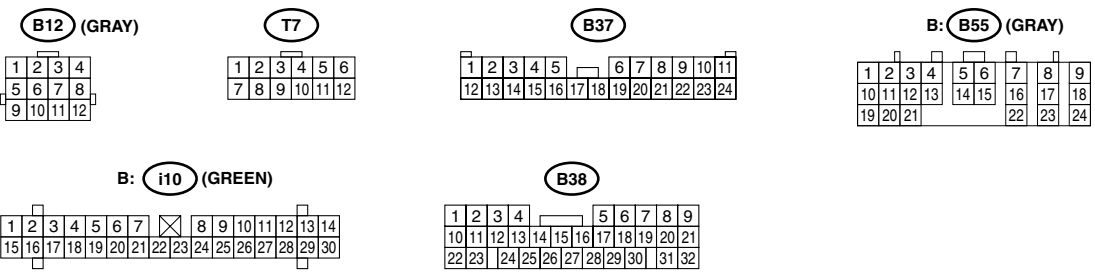
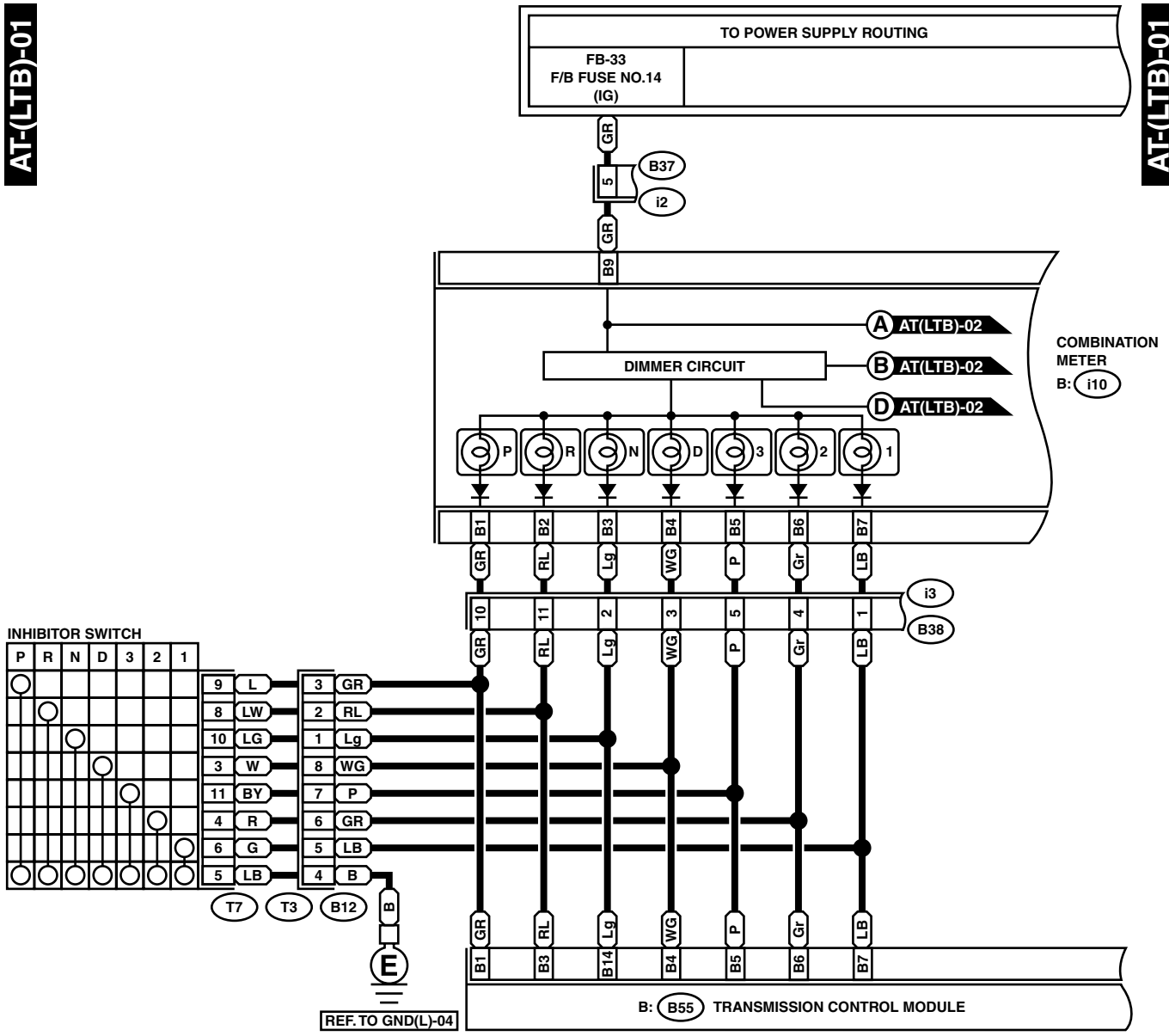
A/T CONTROL SYSTEM

WIRING SYSTEM

2. LHD TURBO MODEL

AT-(LTB)-01

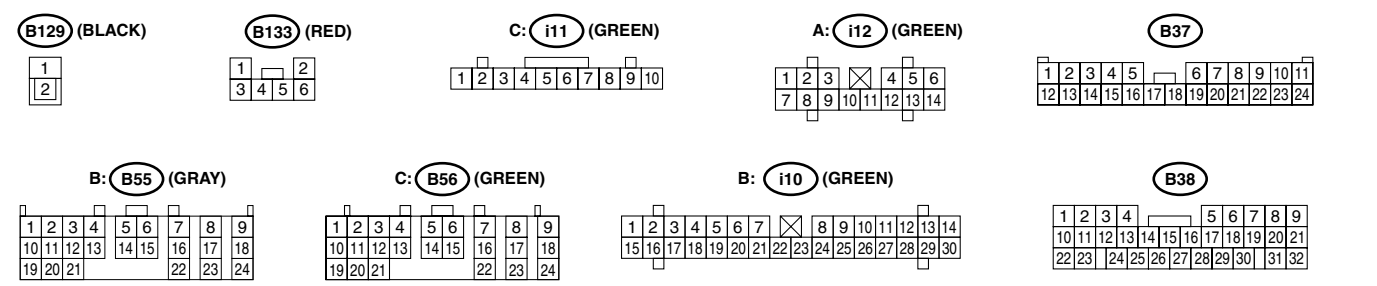
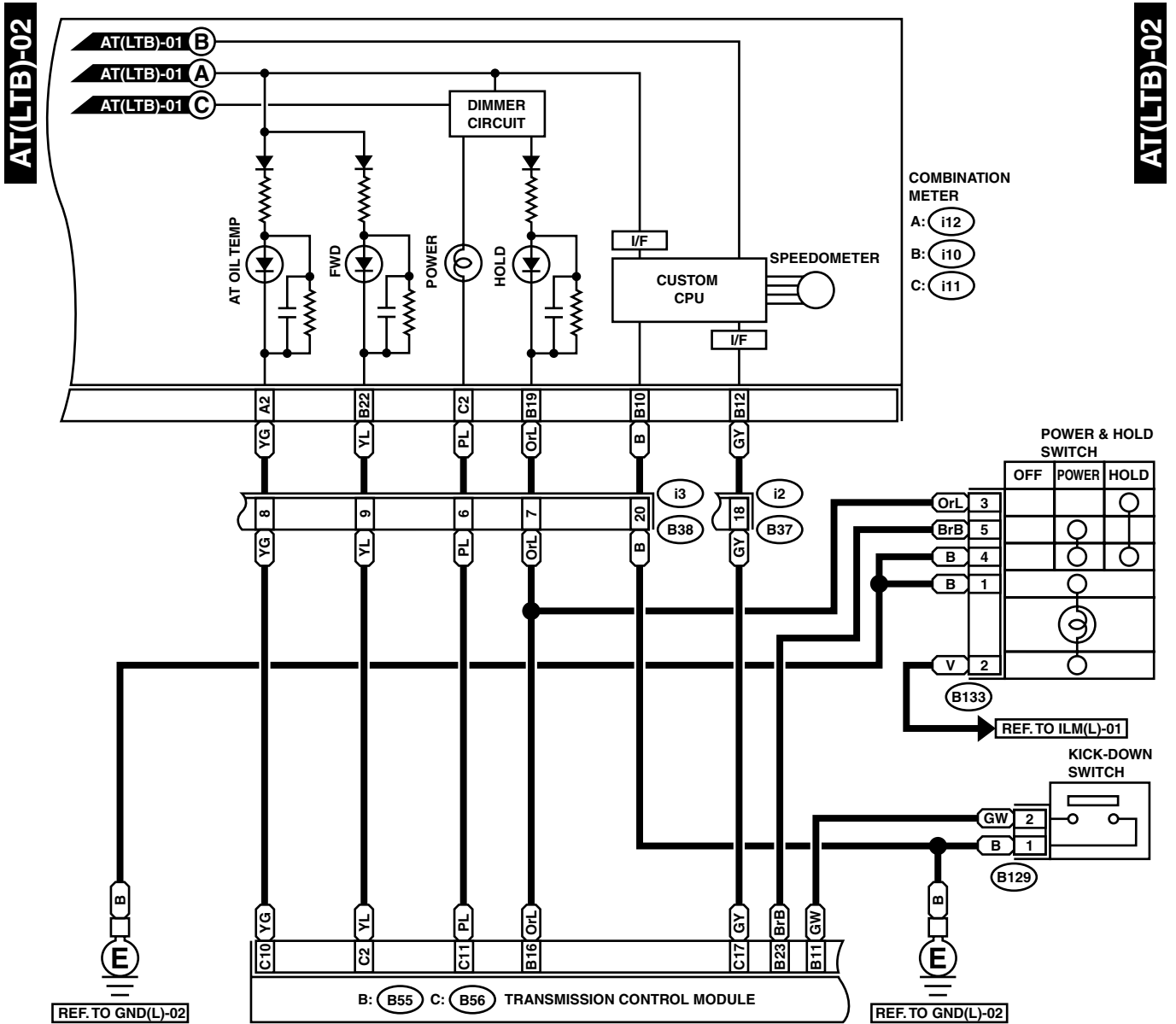
AT-(LTB)-01



WI-00714

A/T CONTROL SYSTEM

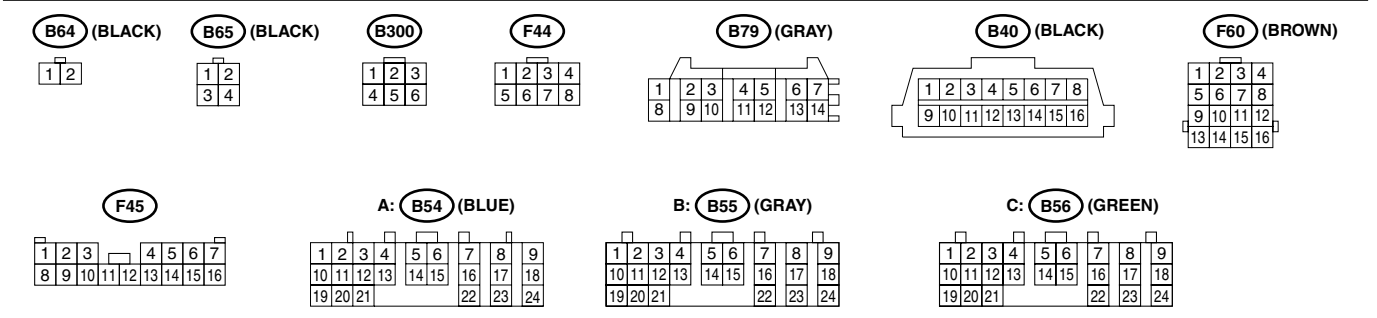
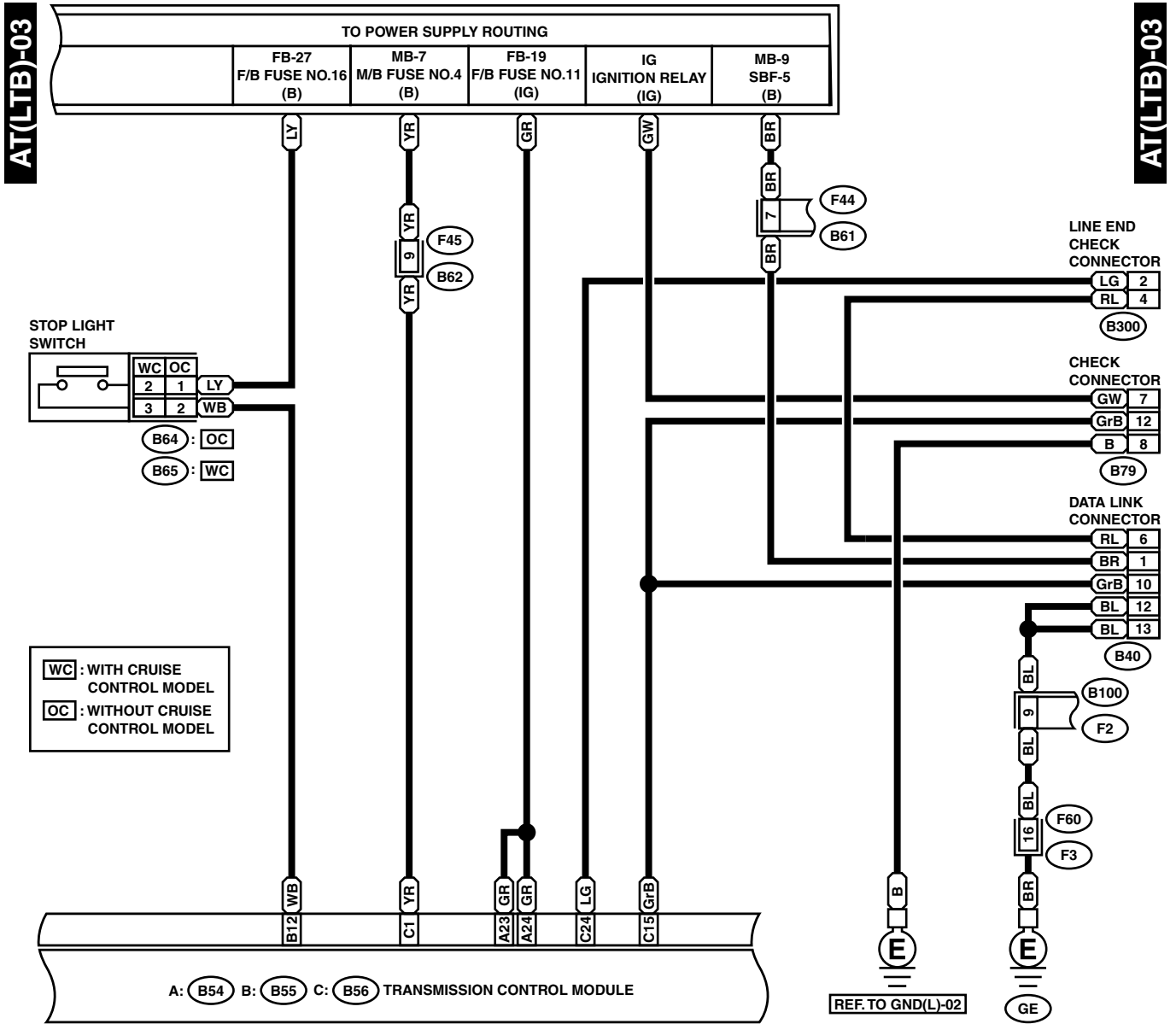
WIRING SYSTEM



WI-00300

A/T CONTROL SYSTEM

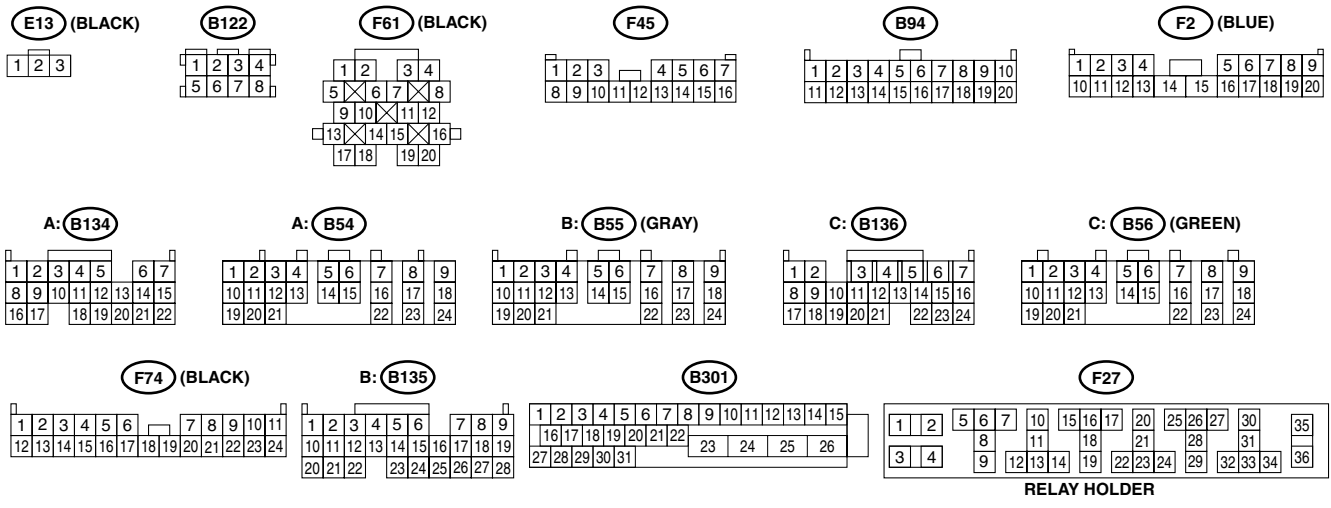
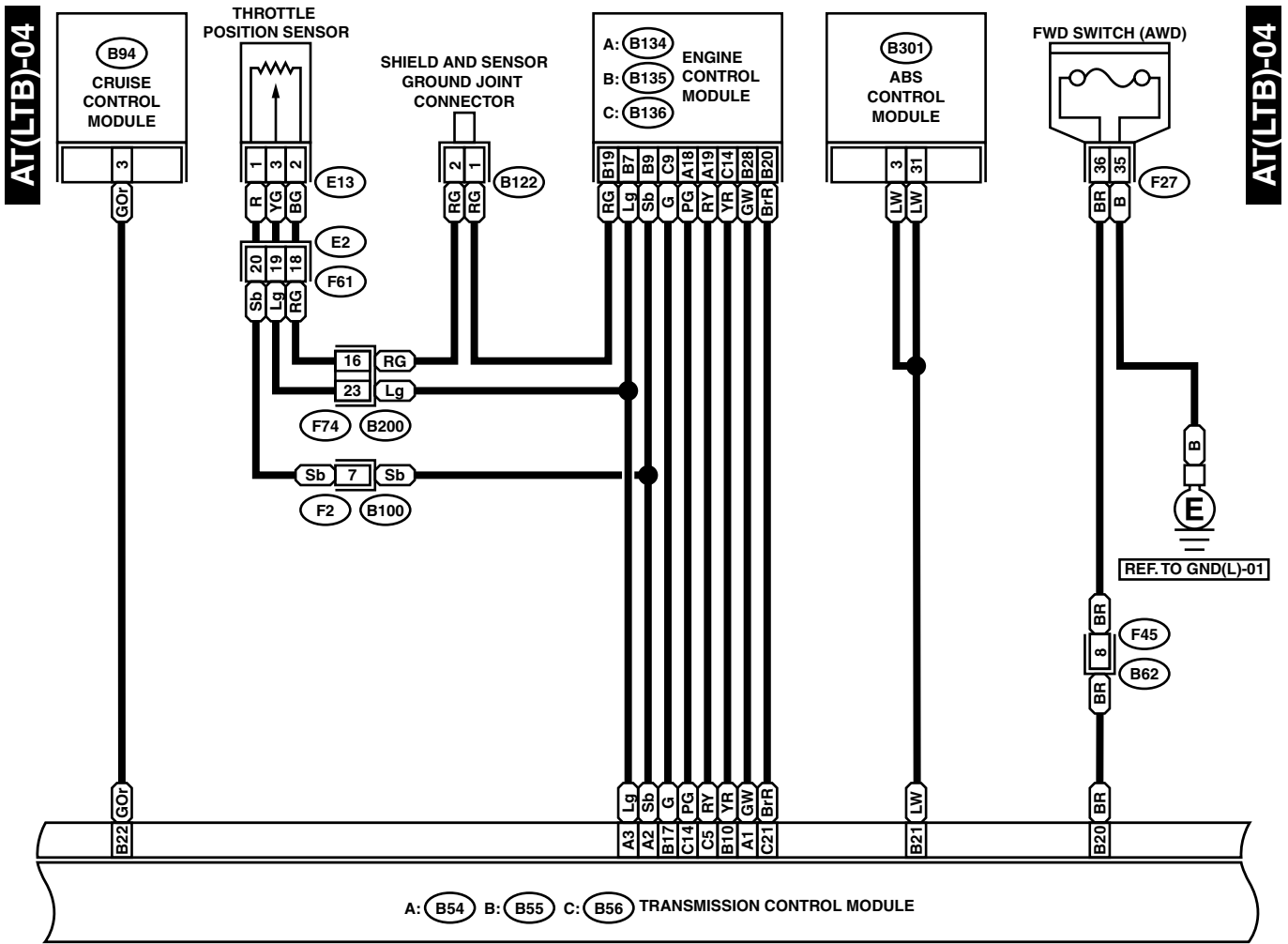
WIRING SYSTEM



WI-00301

A/T CONTROL SYSTEM

WIRING SYSTEM



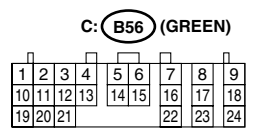
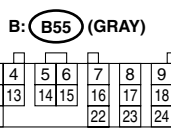
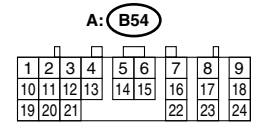
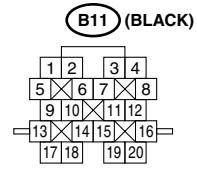
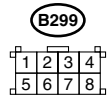
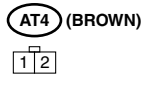
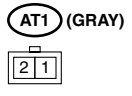
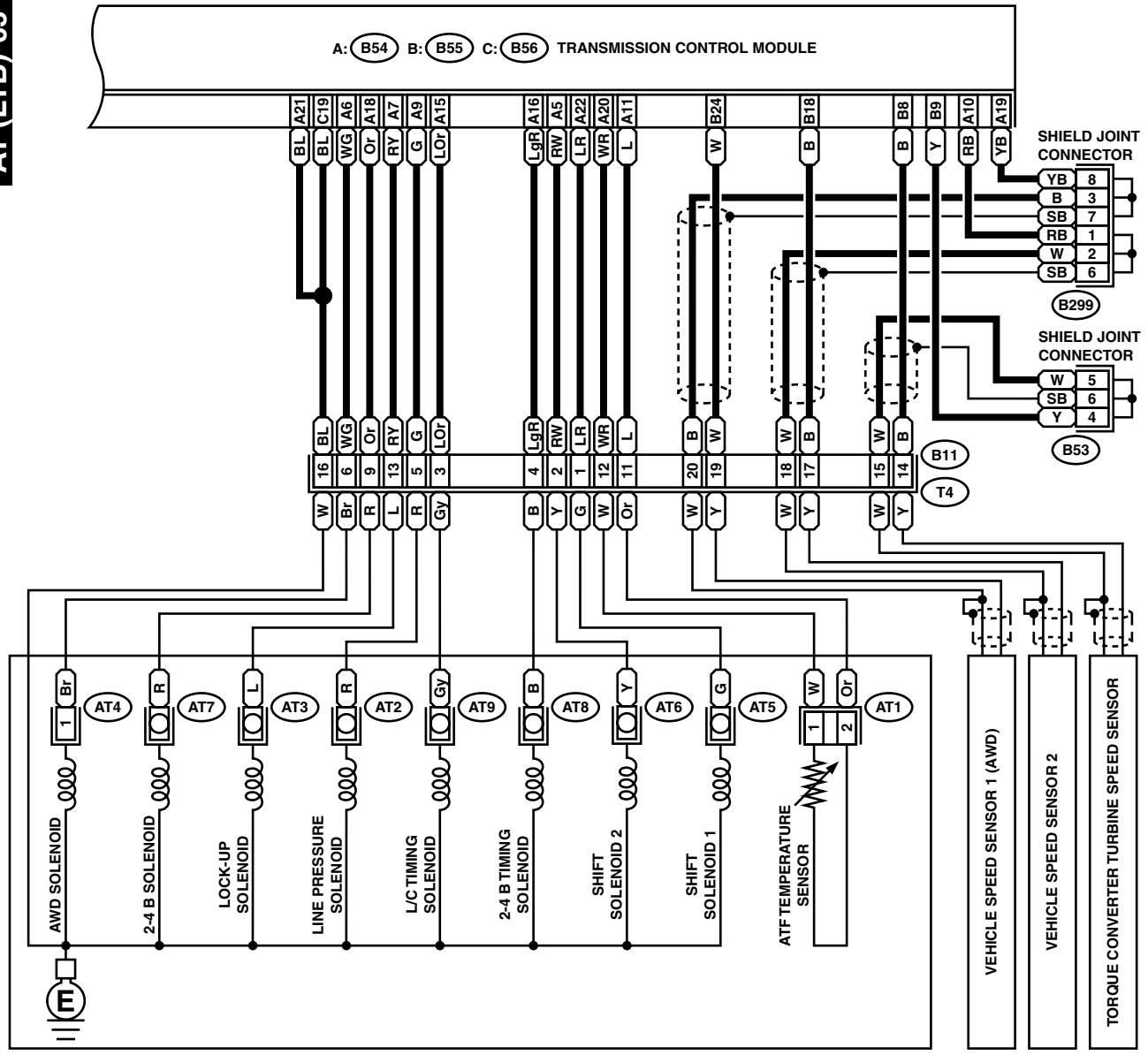
WI-00302

A/T CONTROL SYSTEM

WIRING SYSTEM

AT (LTB)-05

AT(LTB)-05



WI-00303

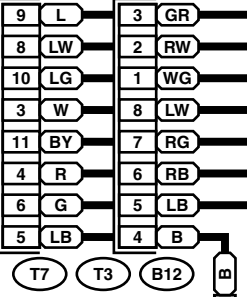
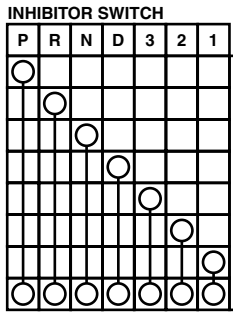
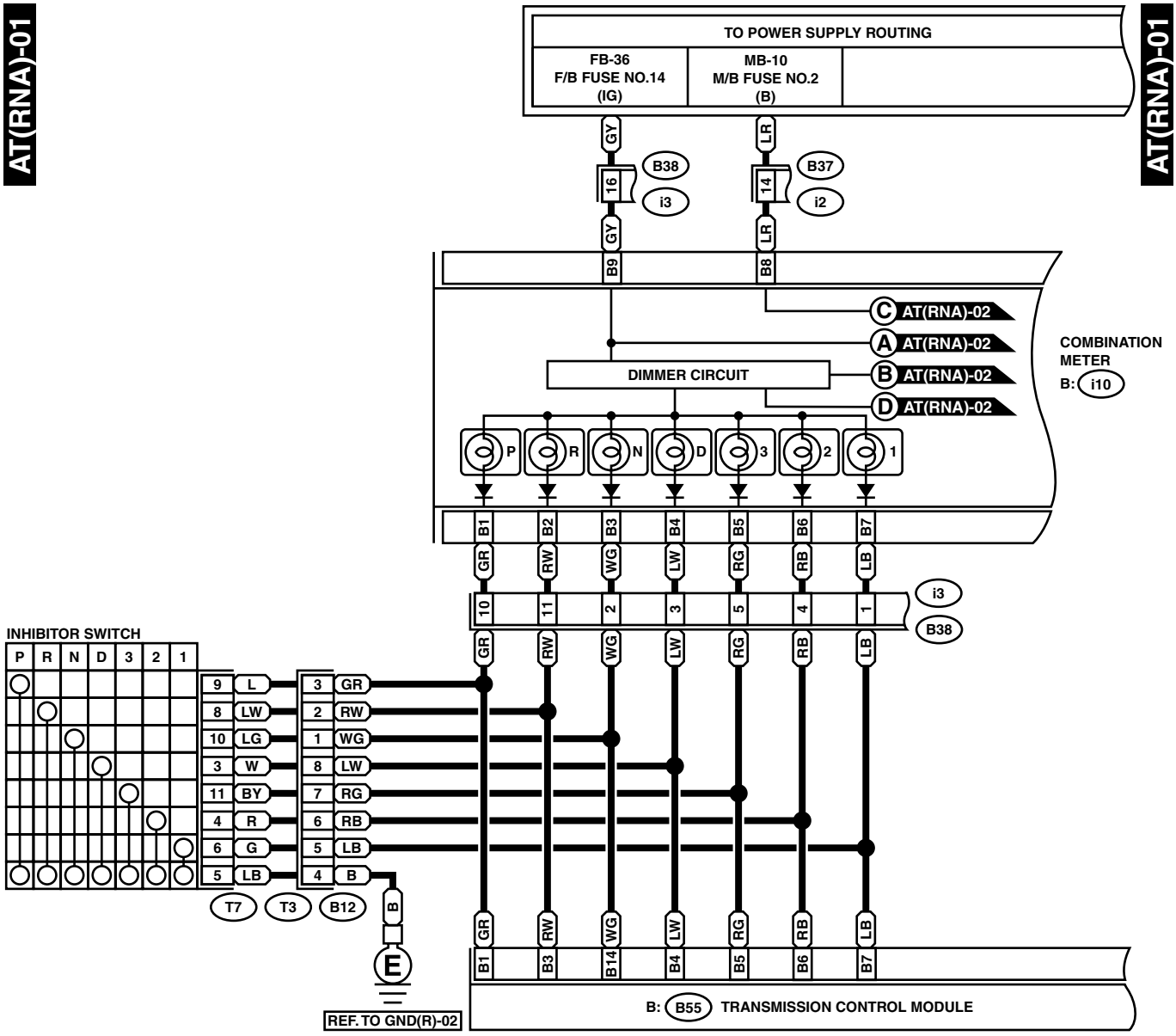
A/T CONTROL SYSTEM

WIRING SYSTEM

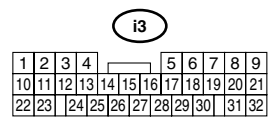
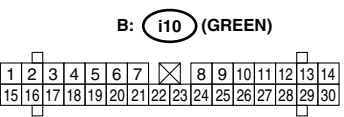
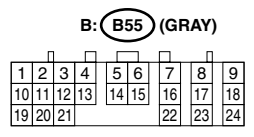
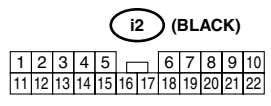
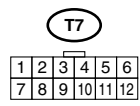
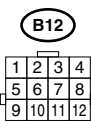
3. RHD NON-TURBO MODEL

AT(RNA)-01

AT(RNA)-01



REF. TO GND(R)-02



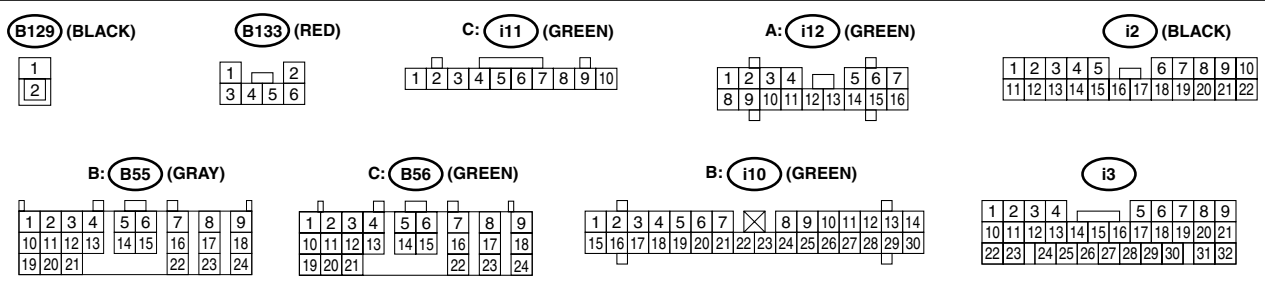
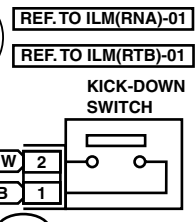
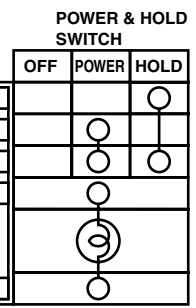
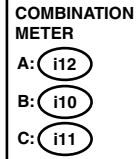
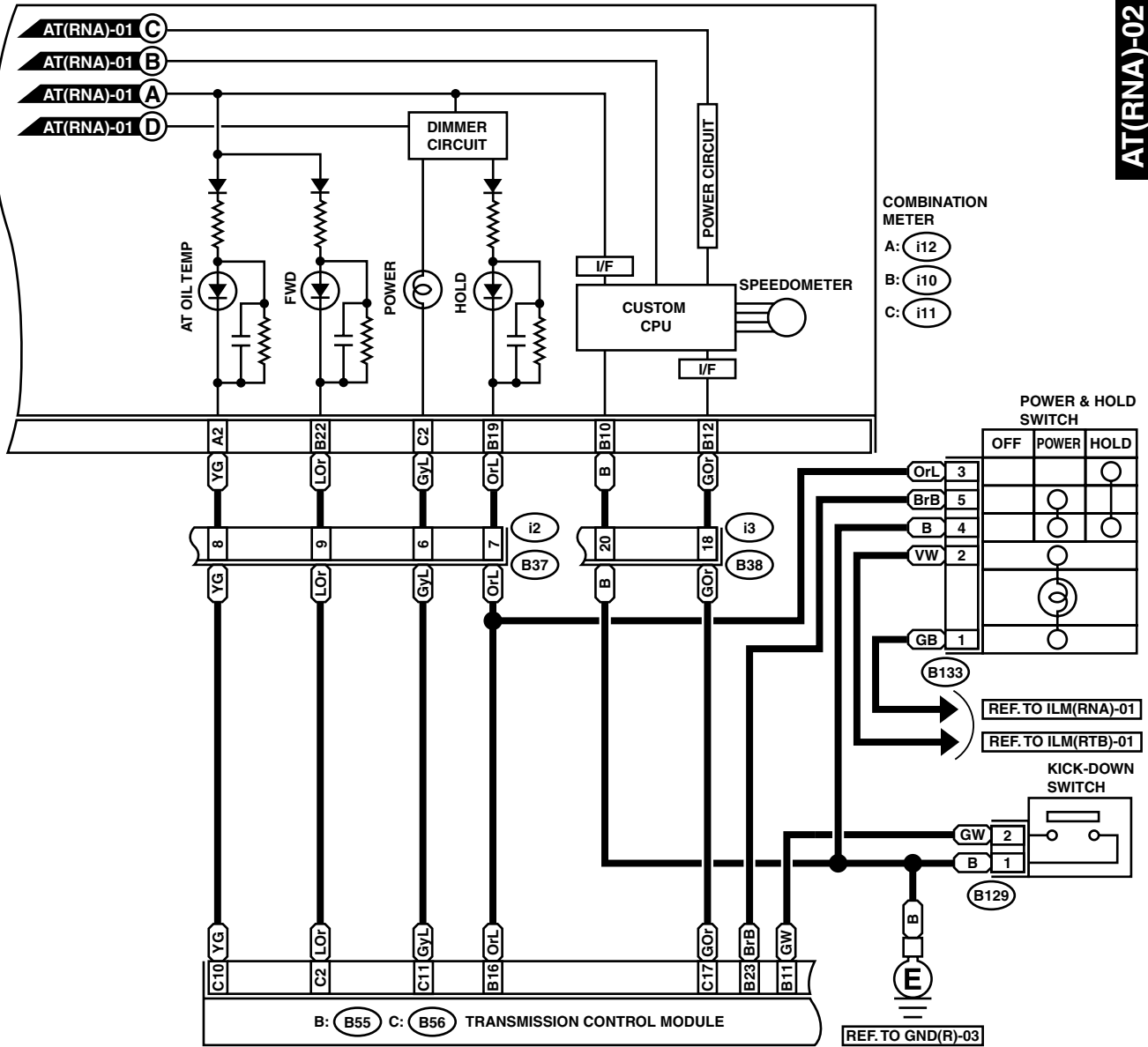
WI-00715

A/T CONTROL SYSTEM

WIRING SYSTEM

AT(RNA)-02

AT(RNA)-02



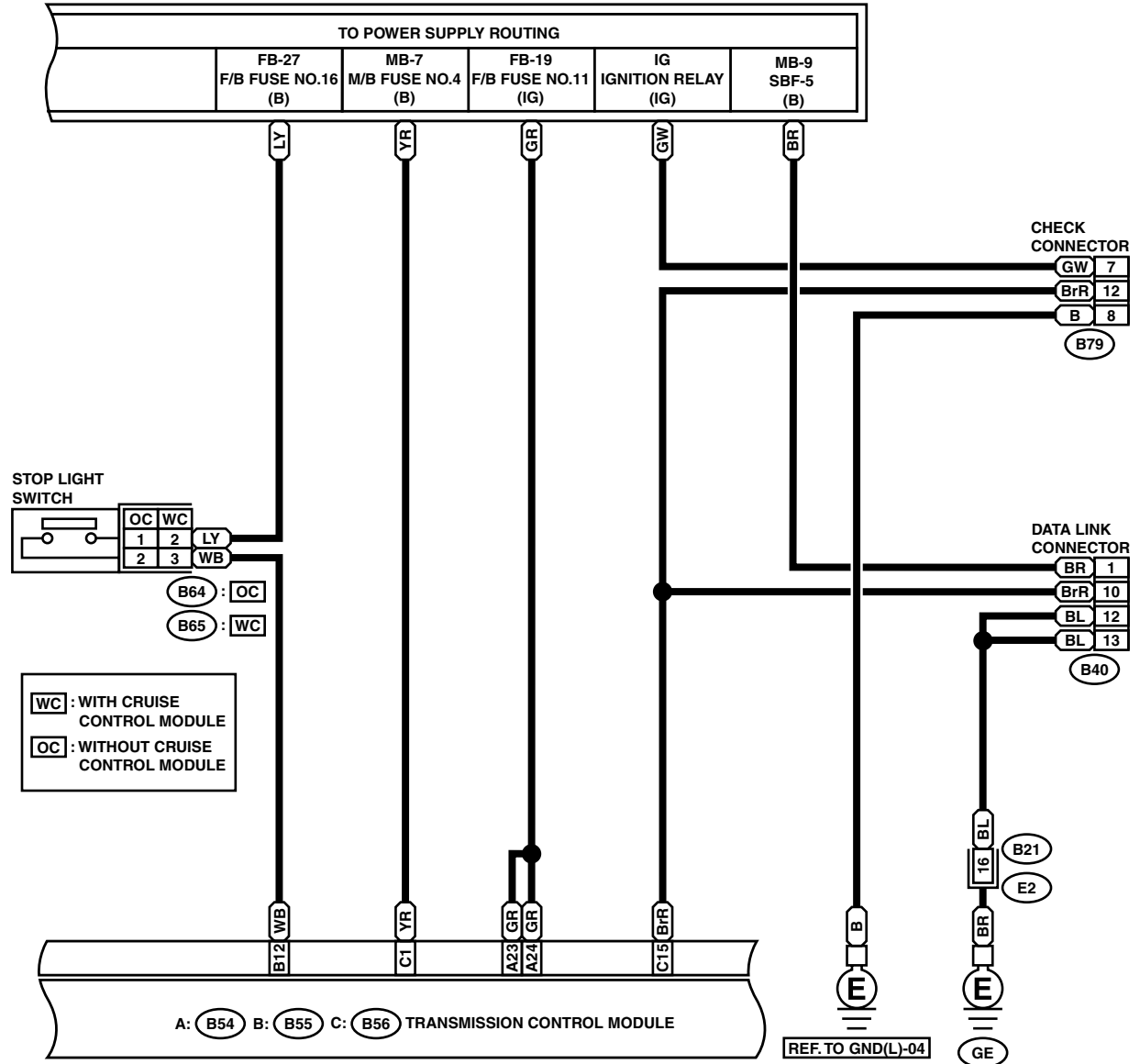
WI-00304

A/T CONTROL SYSTEM

WIRING SYSTEM

AT(RNA)-03

AT(RNA)-03



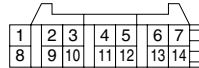
B64 (BLACK)



B65 (BLACK)



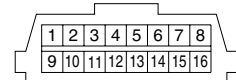
B79 (GRAY)



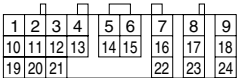
B21 (BROWN)



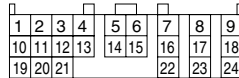
B40 (BLACK)



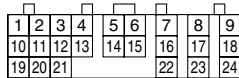
A: B54



B: B55 (GRAY)



C: B56 (GREEN)

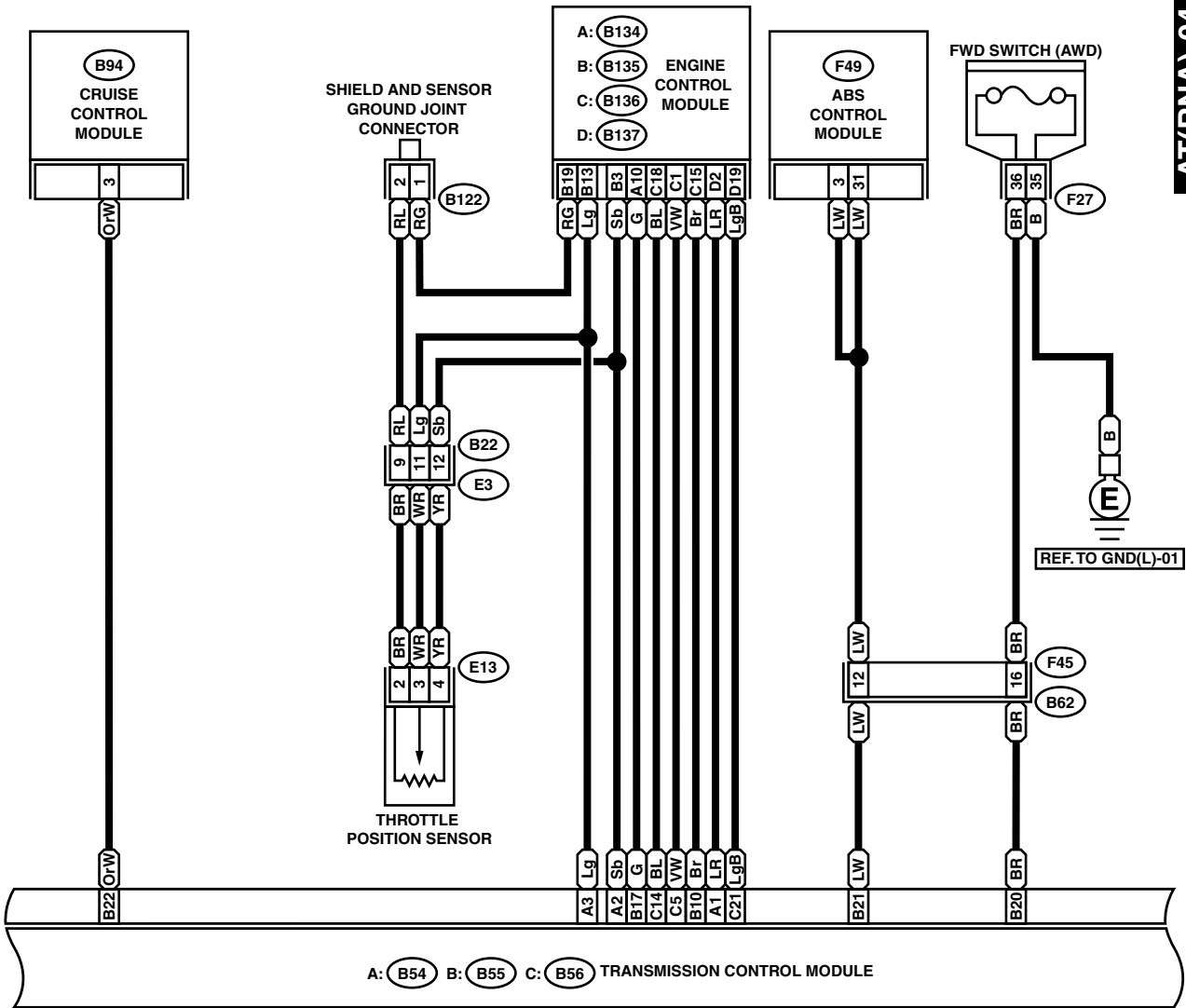


WI-00305

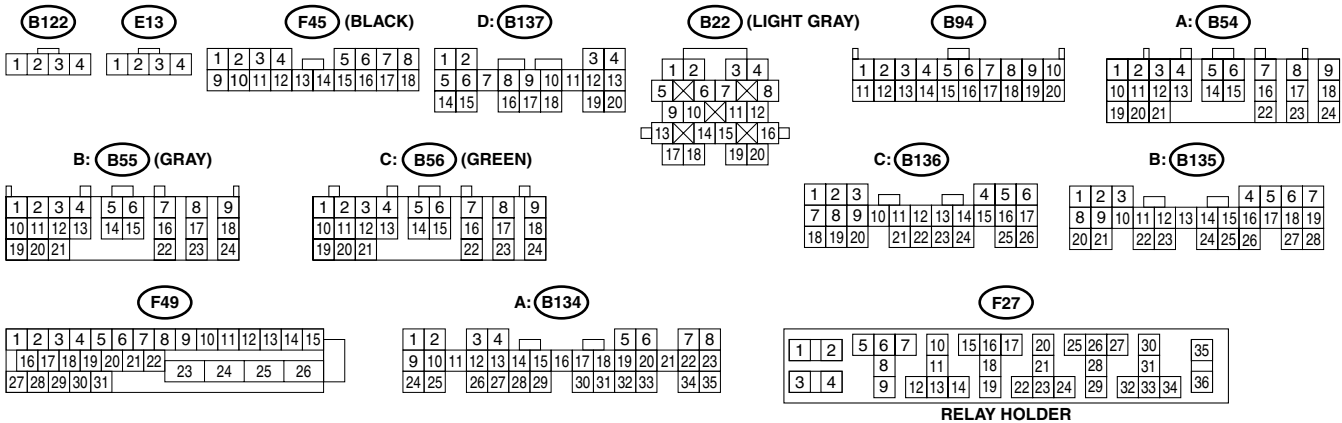
A/T CONTROL SYSTEM

WIRING SYSTEM

AT(RNA)-04



AT(RNA)-04



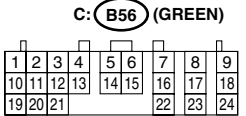
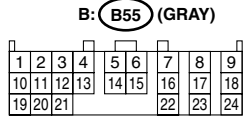
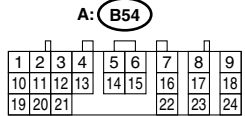
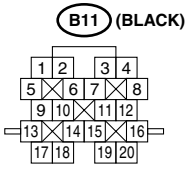
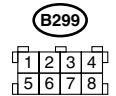
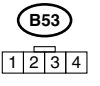
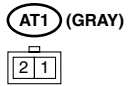
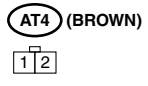
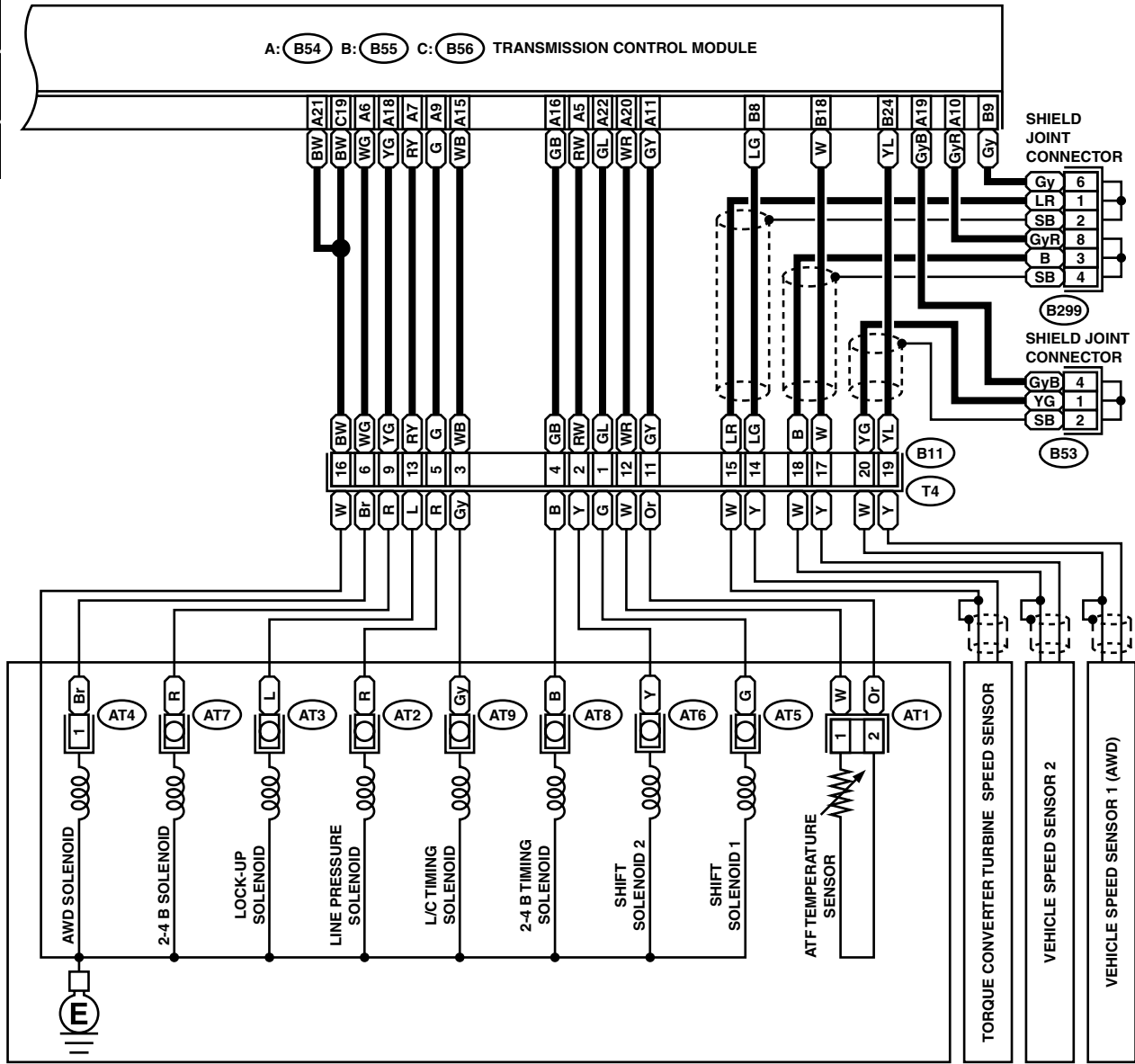
WI-00306

A/T CONTROL SYSTEM

WIRING SYSTEM

AT(RNA)-05

AT(RNA)-05



WI-00307

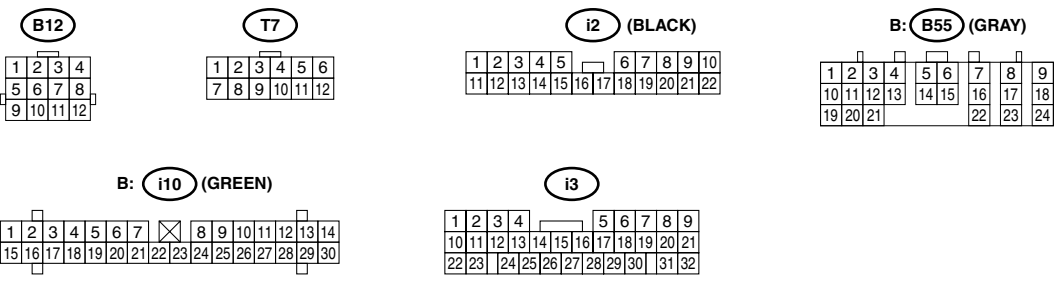
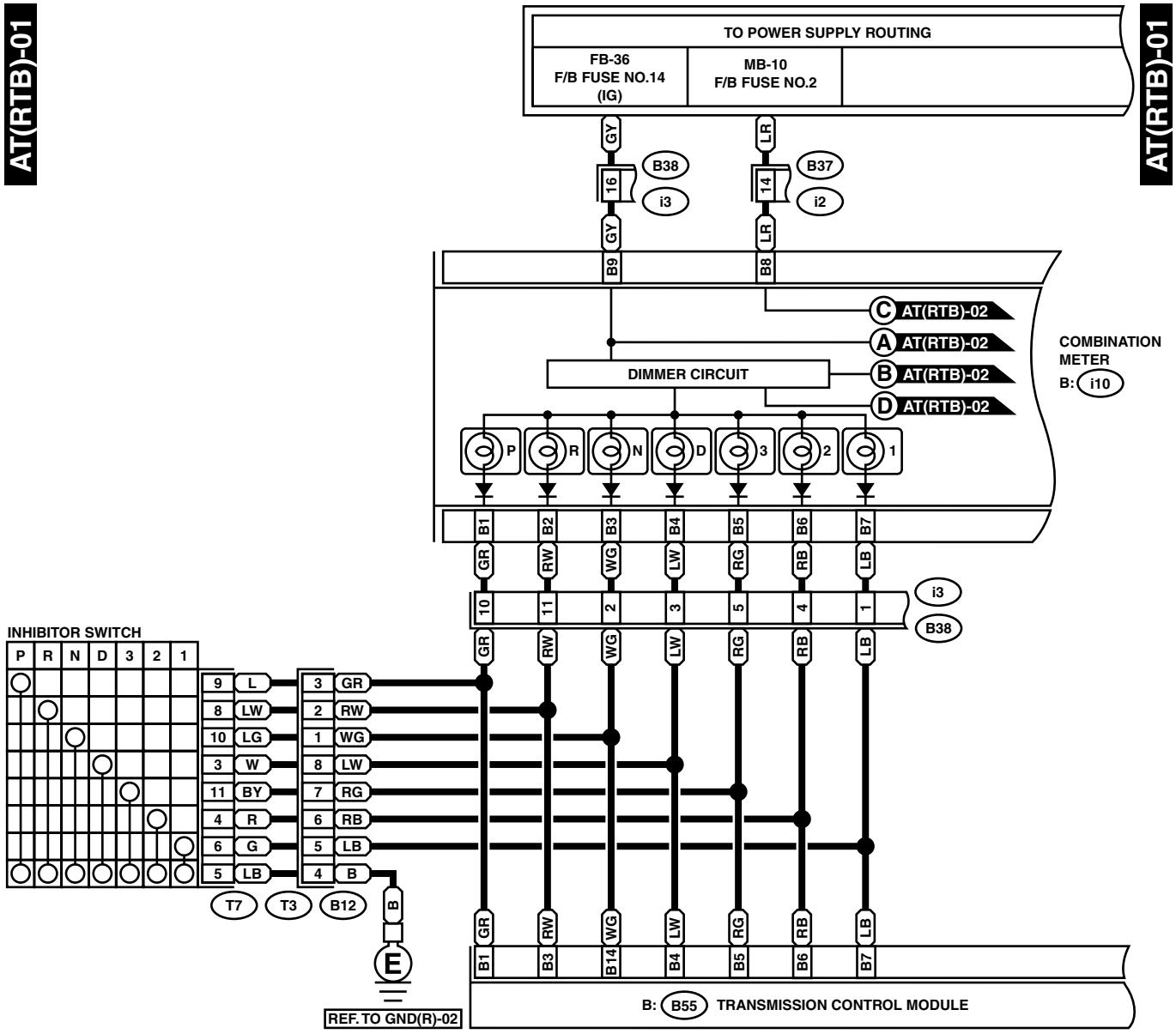
A/T CONTROL SYSTEM

WIRING SYSTEM

4. RHD TURBO MODEL

AT(RTB)-01

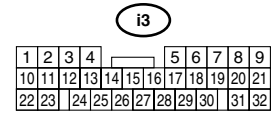
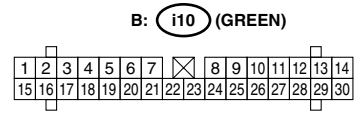
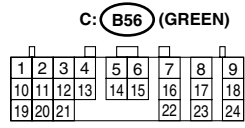
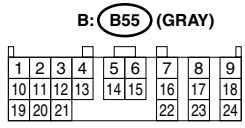
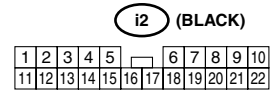
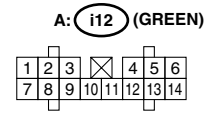
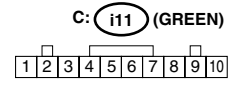
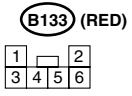
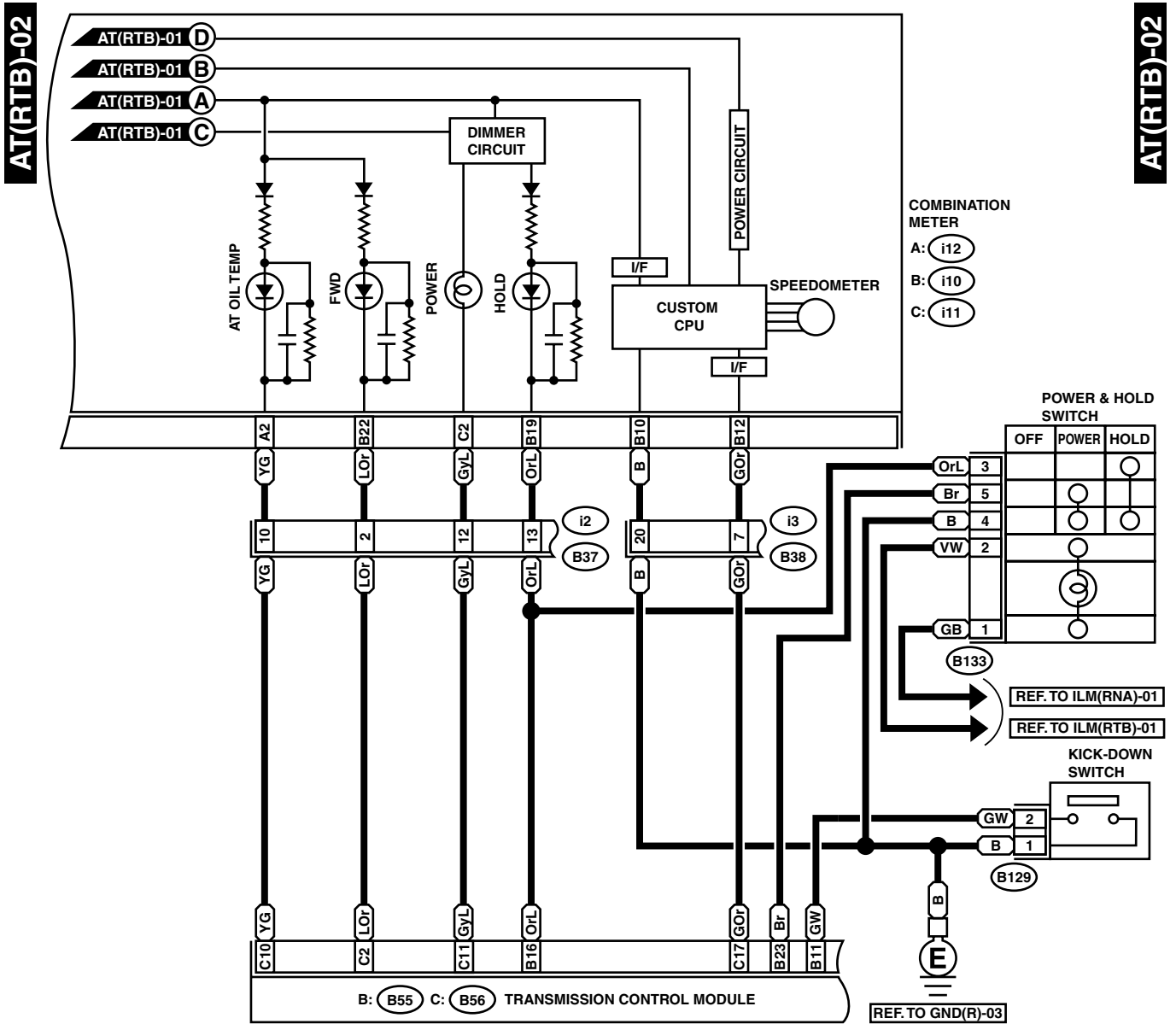
AT(RTB)-01



WI-00716

A/T CONTROL SYSTEM

WIRING SYSTEM



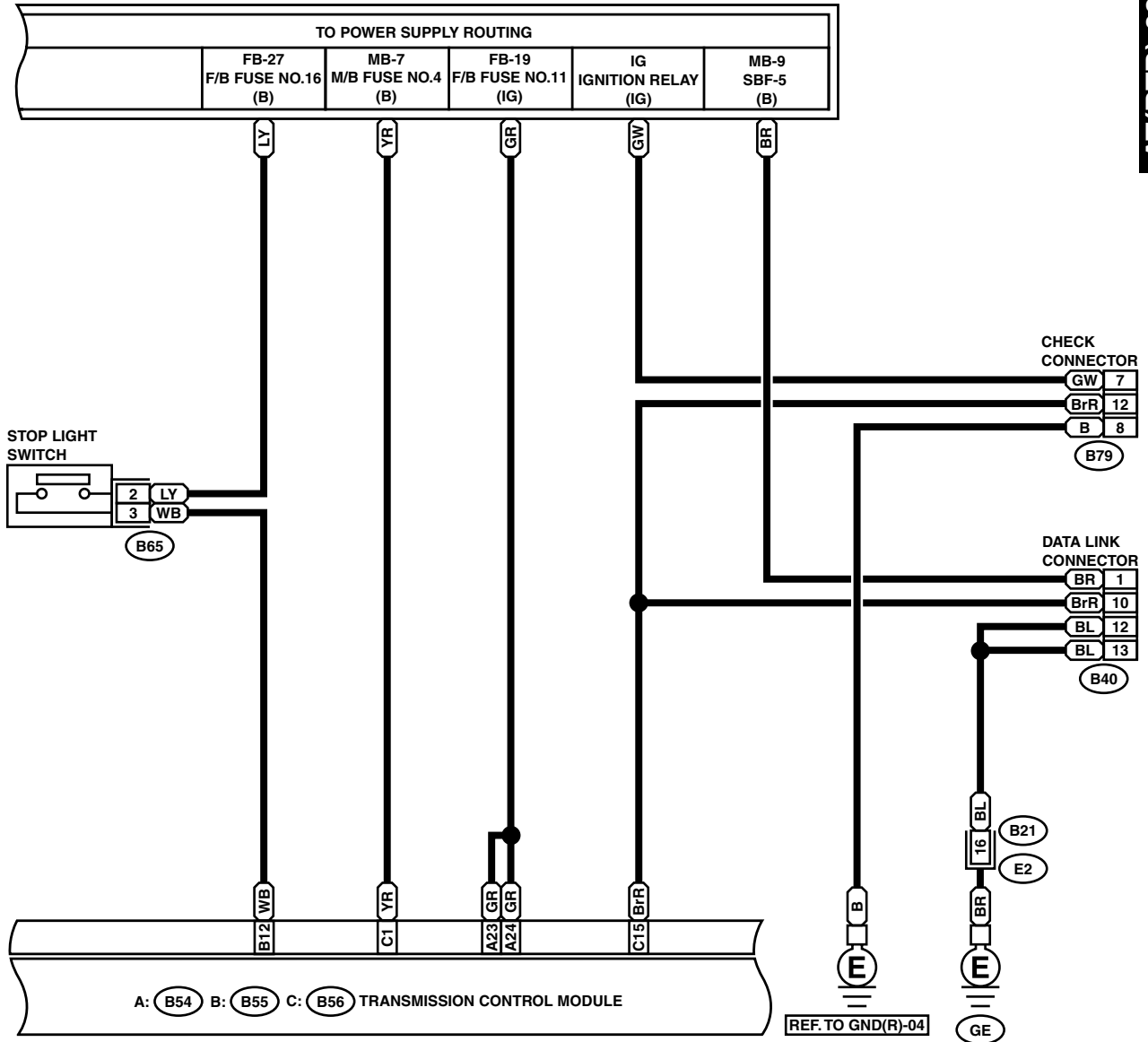
WI-00308

A/T CONTROL SYSTEM

WIRING SYSTEM

AT(RTB)-03

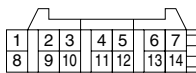
AT(RTB)-03



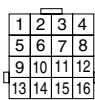
B65 (BLACK)



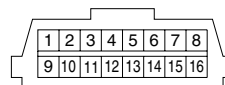
B79 (GRAY)



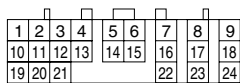
B21 (BROWN)



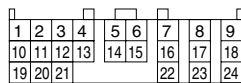
B40 (BLACK)



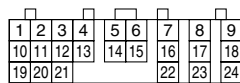
A: B54



B: B55 (GRAY)



C: B56 (GREEN)



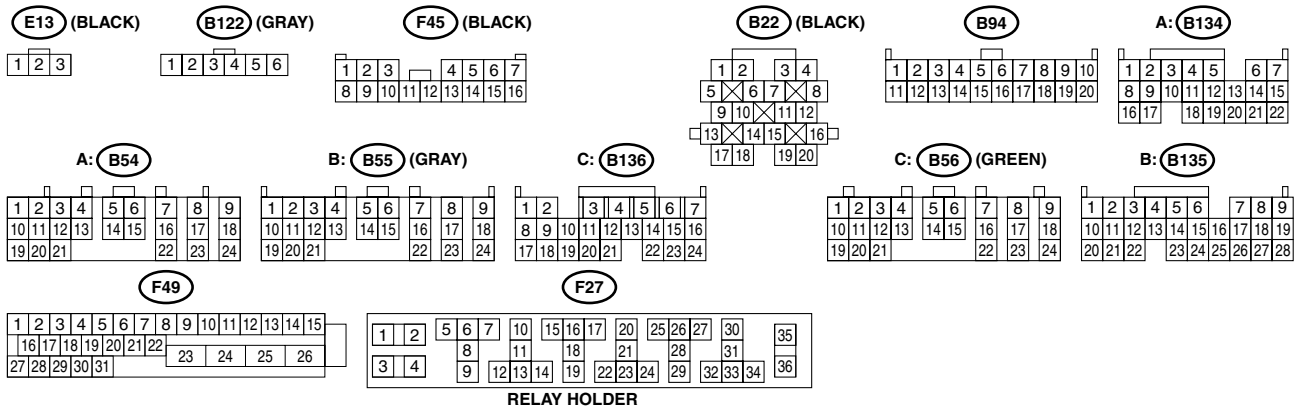
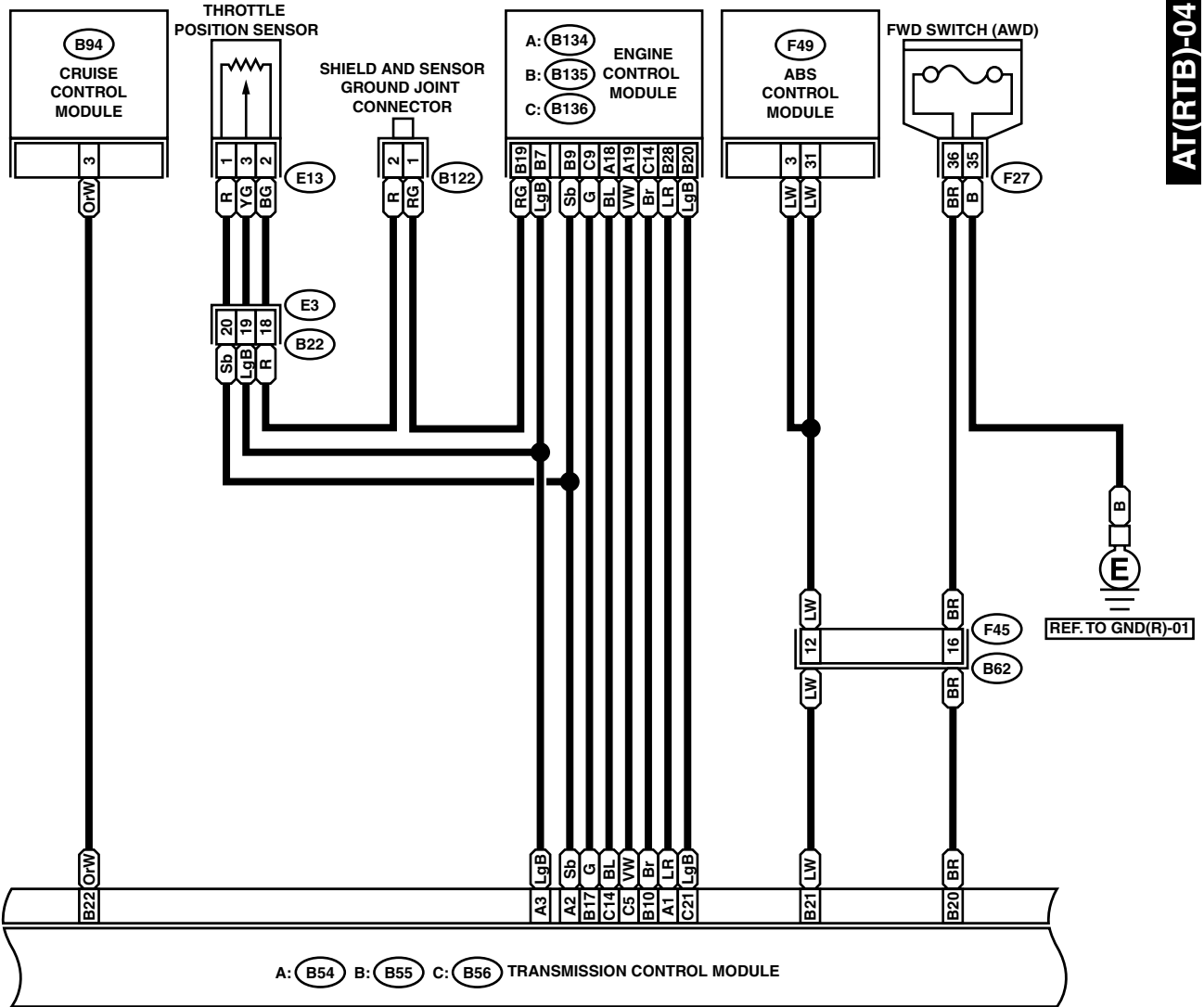
WI-00309

A/T CONTROL SYSTEM

WIRING SYSTEM

AT(RTB)-04

AT(RTB)-04



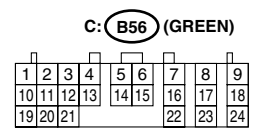
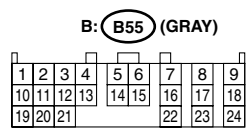
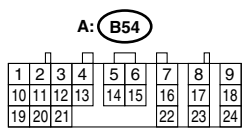
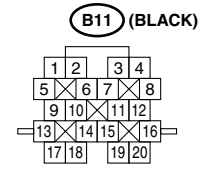
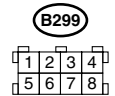
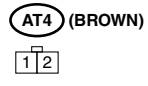
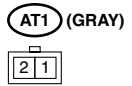
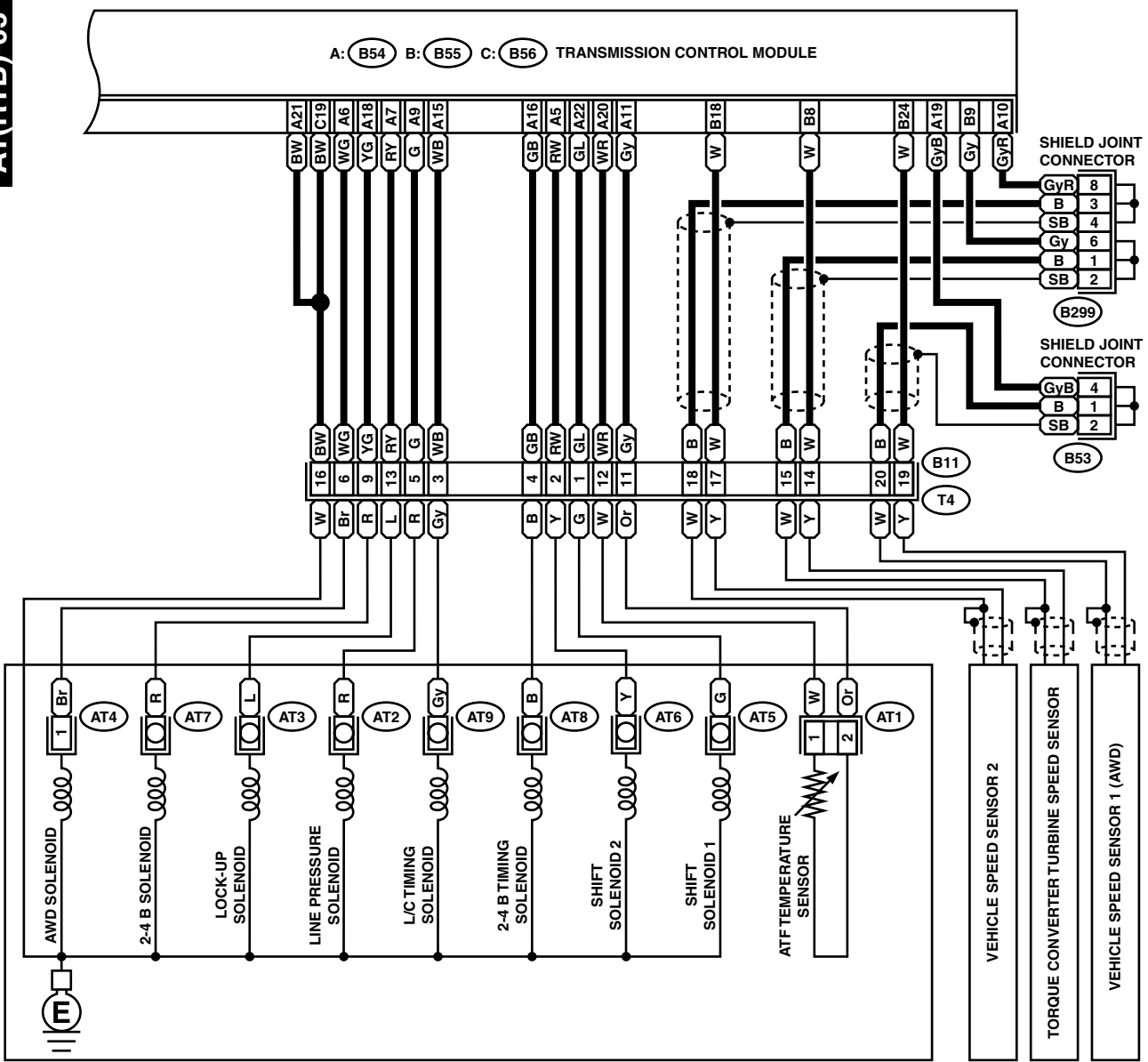
WI-00310

A/T CONTROL SYSTEM

WIRING SYSTEM

AT(RTB)-05

AT(RTB)-05



WI-00311

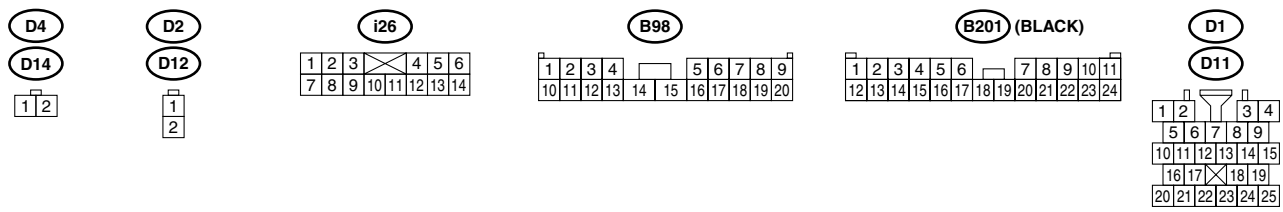
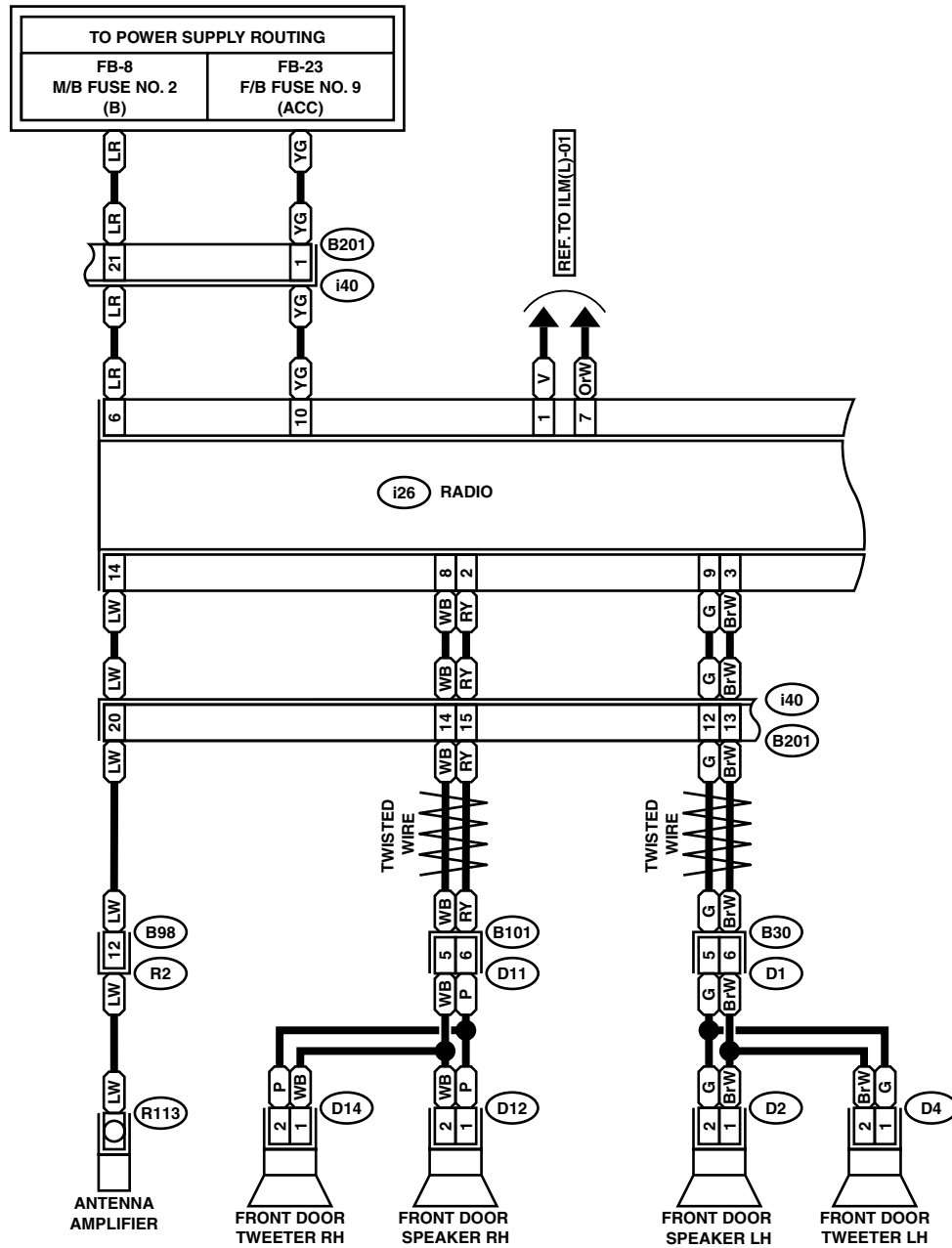
9. Audio System

A: SCHEMATIC

1. LHD MODEL

AUDIO(L)-01

AUDIO(L)-01



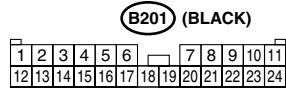
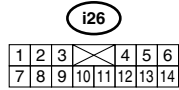
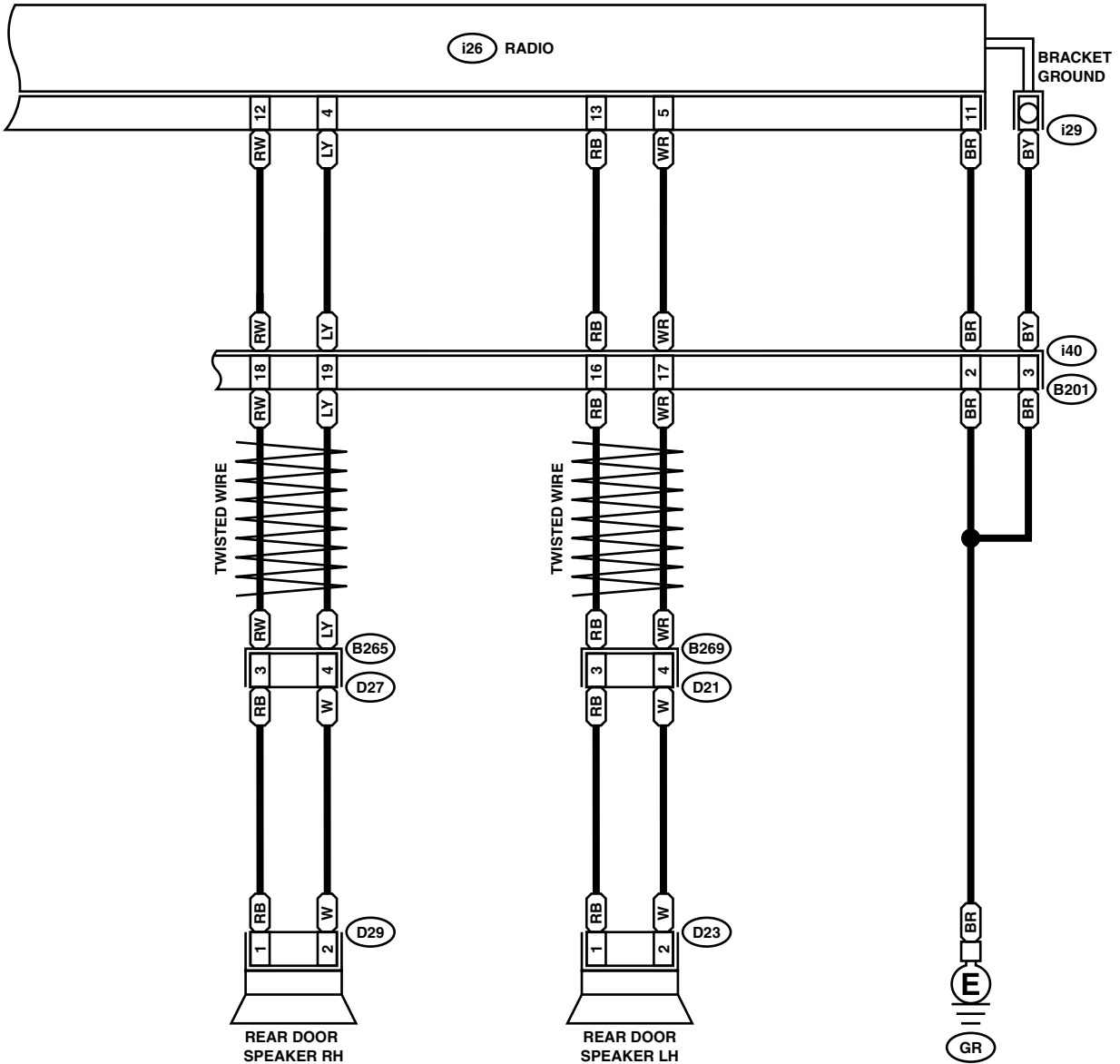
WI-00312

AUDIO SYSTEM

WIRING SYSTEM

AUDIO(L)-02

AUDIO(L)-02



WI-00313

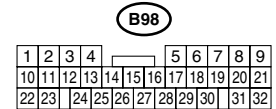
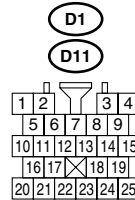
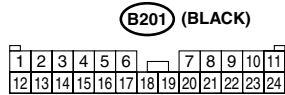
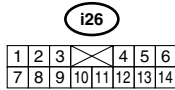
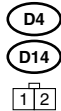
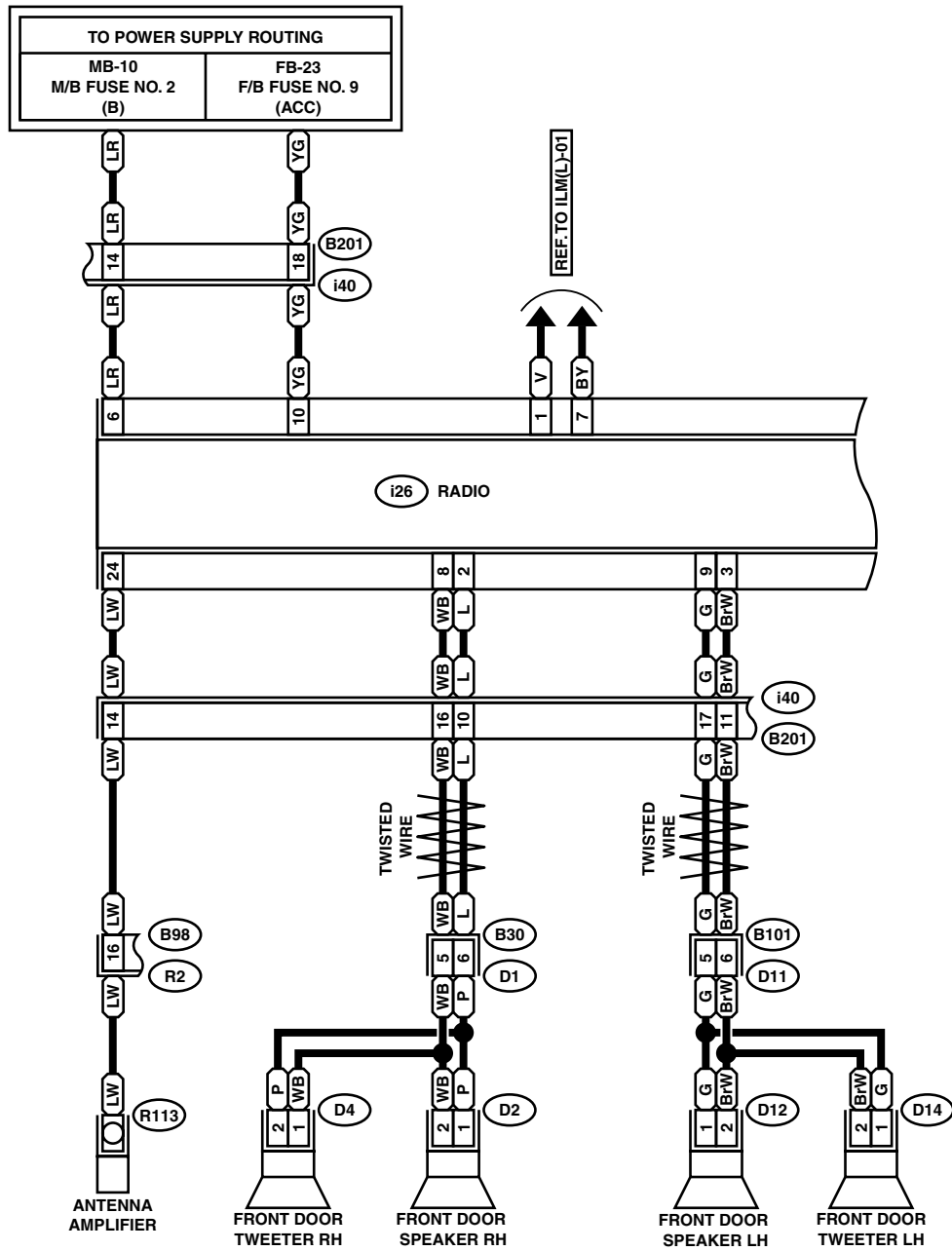
AUDIO SYSTEM

WIRING SYSTEM

2. RHD MODEL

AUDIO(R)-01

AUDIO(R)-01



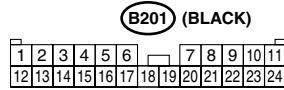
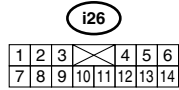
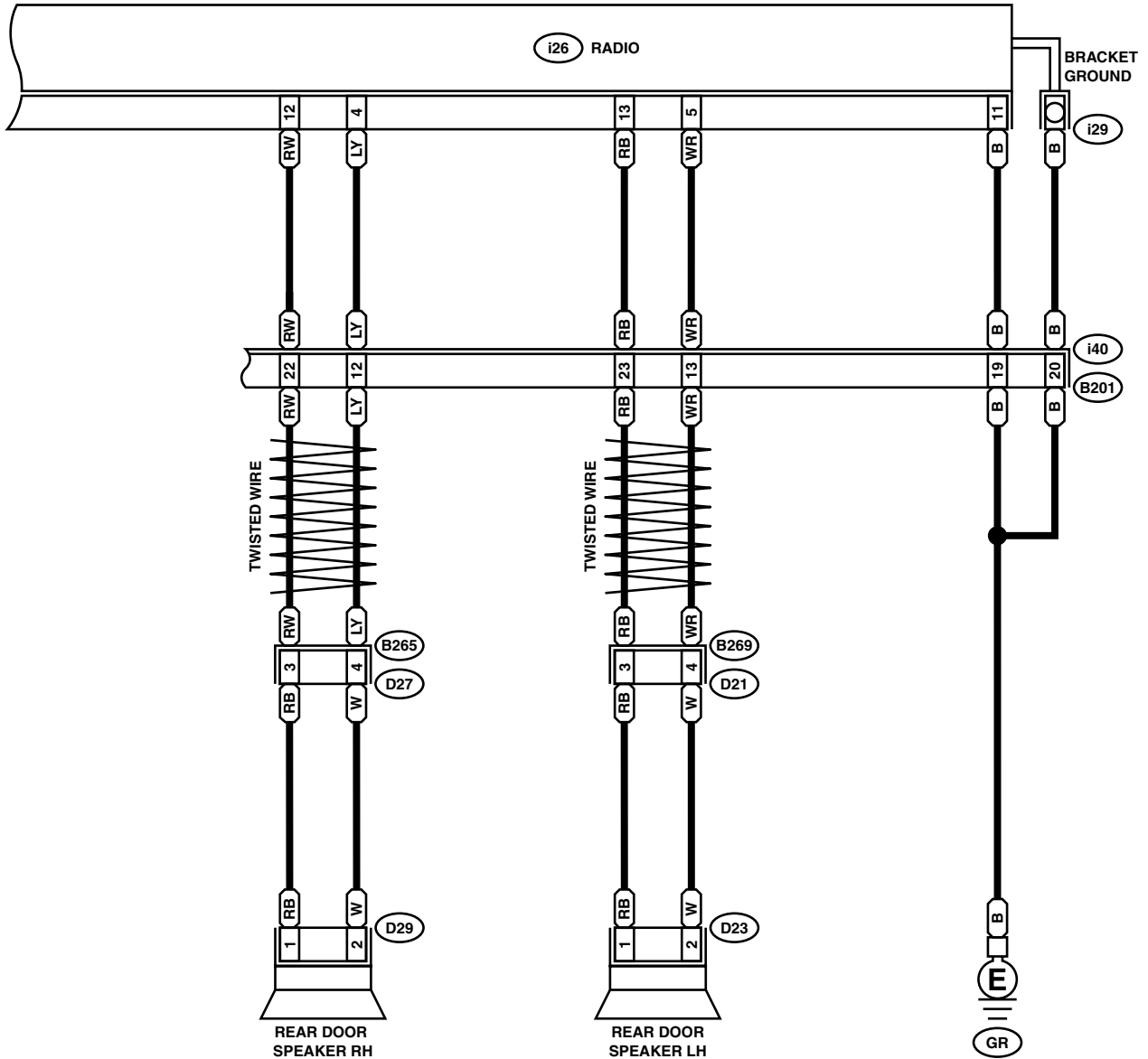
WI-00314

AUDIO SYSTEM

WIRING SYSTEM

AUDIO(R)-02

AUDIO(R)-02



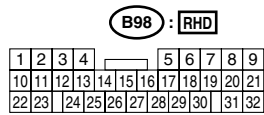
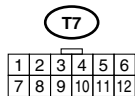
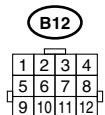
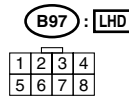
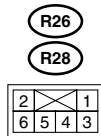
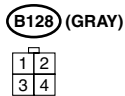
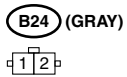
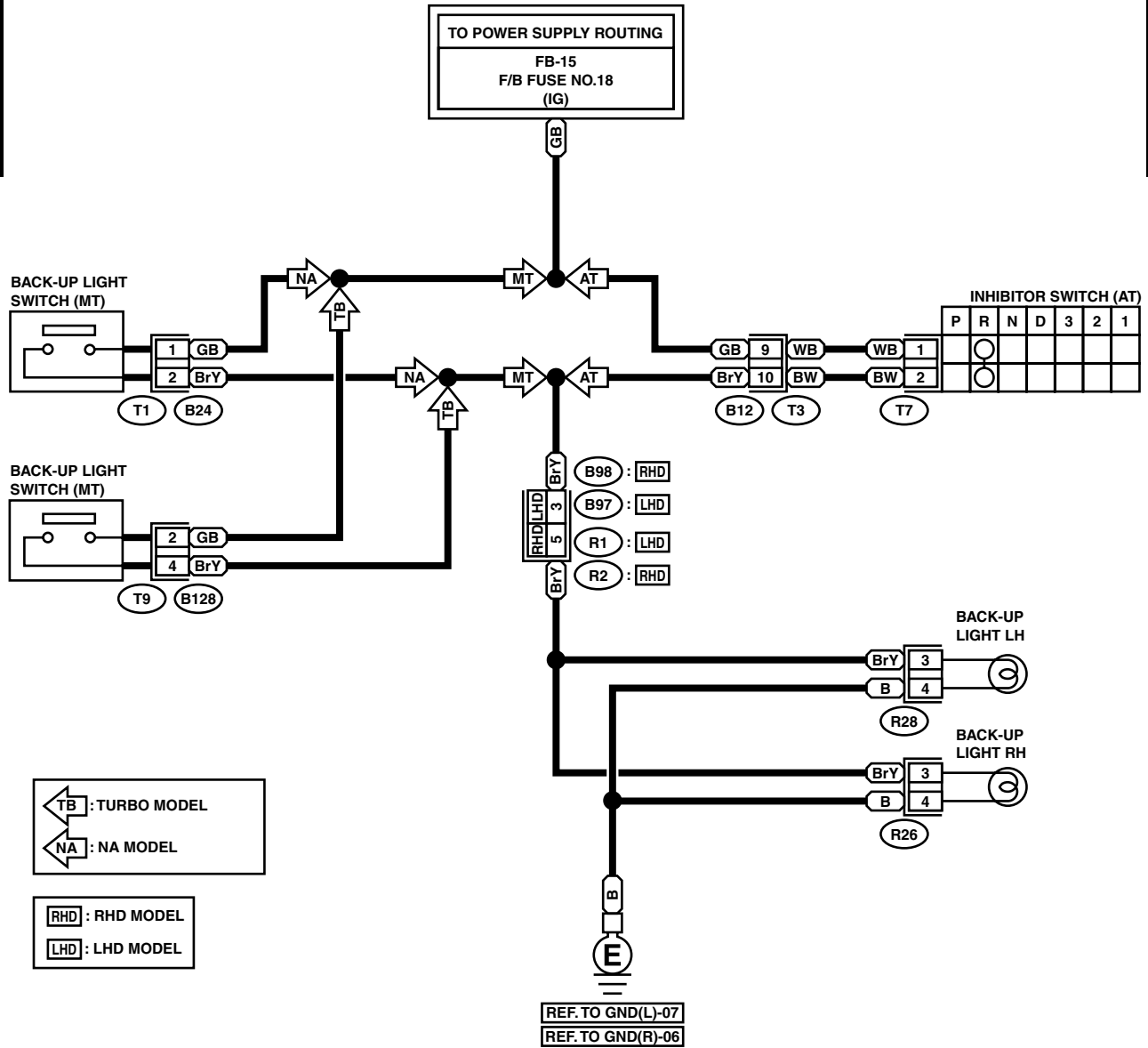
WI-00315

10.Back-up Light System

A: SCHEMATIC

BACK/L-01

BACK/L-01



CHARGING SYSTEM

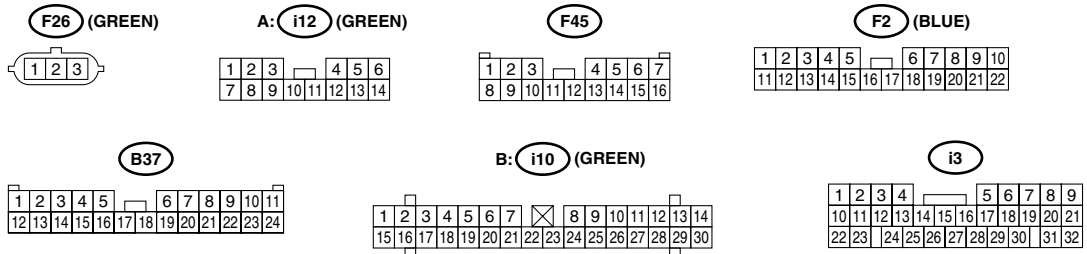
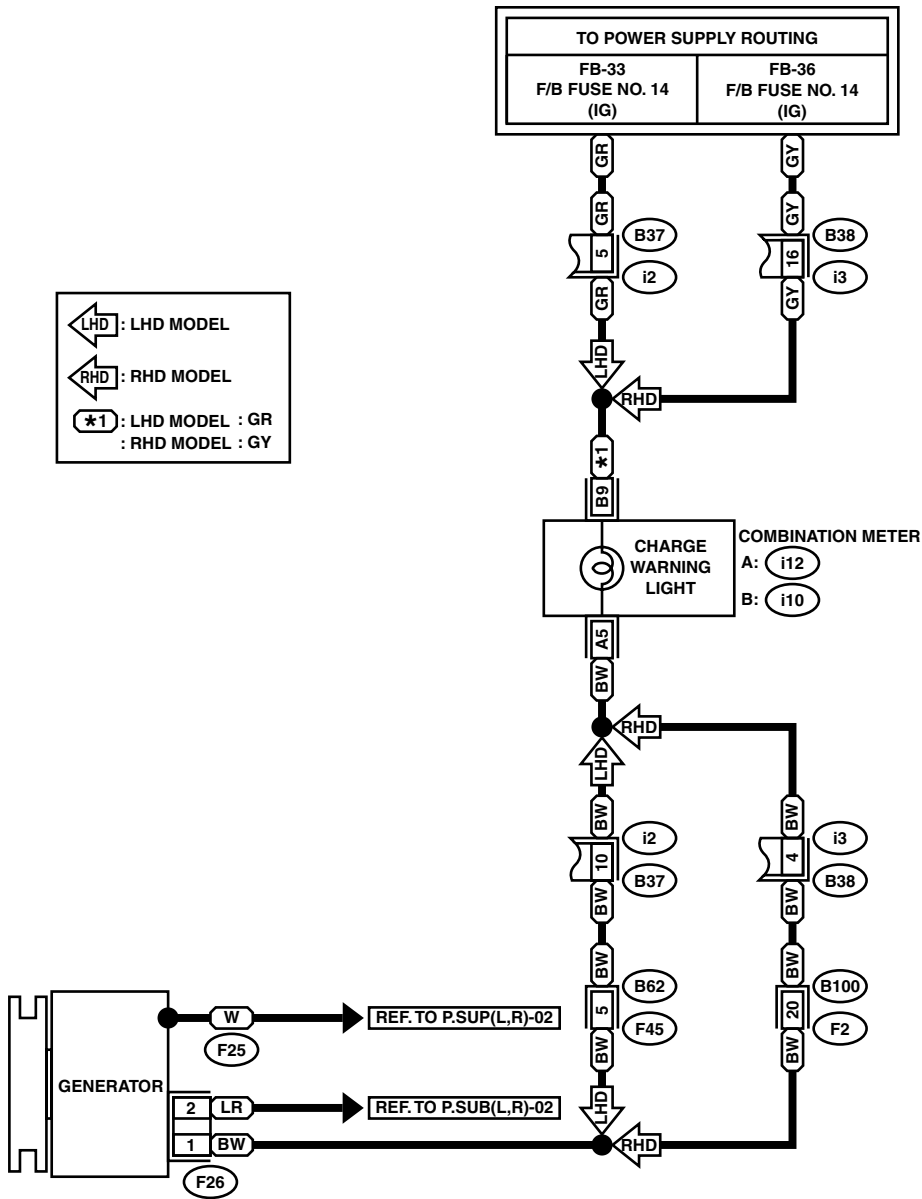
WIRING SYSTEM

11.Charging System

A: SCHEMATIC

CHG-01

CHG-01



WI-00319