



# INSTRUCTIONS

-J06017

REV. 2014-04-03

## TURN SIGNAL SWITCH EXTENSION CAP KITS

### GENERAL

#### Kit Numbers

71500285, 71500286

#### Models

For model fitment information, see the P&A retail catalog or the Parts and Accessories section of [www.harley-davidson.com](http://www.harley-davidson.com) (English only).

These turn signal switch extension caps are a direct replacement for the original equipment (OE) turn signal switch caps. These kits install in the same manner as original equipment (OE).

#### Installation Requirements

#### WARNING

The rider's safety depends upon the correct installation of this kit. Use the appropriate service manual procedures. If the procedure is not within your capabilities or you do not have the correct tools, have a Harley-Davidson dealer perform the installation. Improper installation of this kit could result in death or serious injury. (00333a)

#### NOTE

This instruction sheet refers to service manual information. A service manual for this year/model motorcycle is required for this installation. One is available from a Harley-Davidson dealer.

#### Kit Contents

See Figure 3 and Table 1.

### PREPARATION

#### WARNING

To prevent accidental vehicle start-up, which could cause death or serious injury, remove main fuse before proceeding. (00251b)

1. See the service manual to remove the main fuse.

#### WARNING

To prevent accidental vehicle start-up, which could cause death or serious injury, disconnect negative (-) battery cable before proceeding. (00048a)

1. Turn the ignition key switch OFF unless already done.

### REMOVAL

1. Remove the left side and right side handlebar switch housing assemblies per the service manual.

#### NOTE

It is not necessary to disconnect the switch wiring to replace the turn signal switch caps.

2. See Figure 1. Carefully pry the edge (3) of the currently installed turn signal switch cap (2) up off the switch module.
3. Repeat for the opposite-side switch housing and cap.

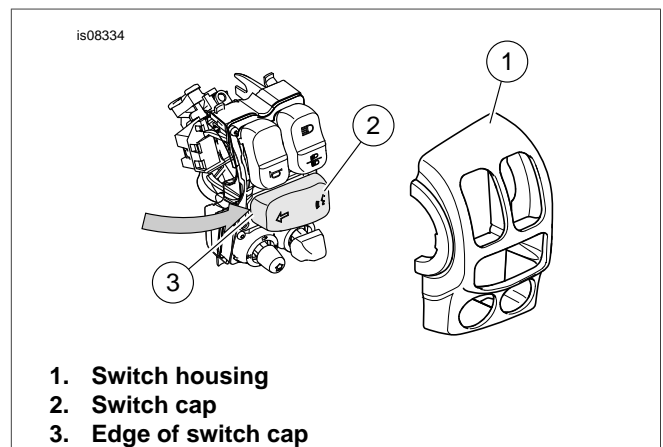


Figure 1. Switch Cap Removal (Left Side Shown)

### INSTALLATION

1. Install the left side and right side handlebar switch housing assemblies per the service manual.
2. See Figure 3. Select the correct turn signal switch extension cap from the kit.
3. See Figure 2. Install the extension cap (2) on the inboard side first. Then press the outboard side down until an audible click is heard.

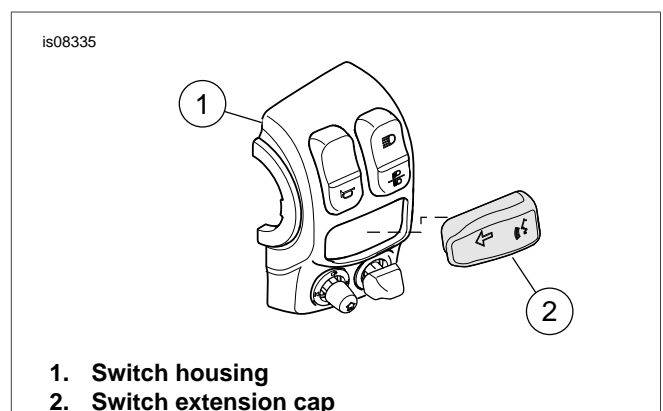


Figure 2. Switch Extension Cap Installation (Left Side Shown)

4. Toggle the switch back and forth, checking for proper operation.
5. Repeat steps for the opposite-side turn signal switch.
6. Remove and dispose of the old switch caps.

## COMPLETION

### NOTE

To prevent possible damage to the sound system, verify that the ignition switch is **OFF** before installing the main fuse or attaching the battery cables.

1. See the service manual install the main fuse.

## ⚠ WARNING

**After installing seat, pull upward on seat to be sure it is locked in position. While riding, a loose seat can shift causing loss of control, which could result in death or serious injury. (00070b)**

2. See the service manual to install the seat.
3. Test all the handlebar switches for proper operation.

## SERVICE PARTS

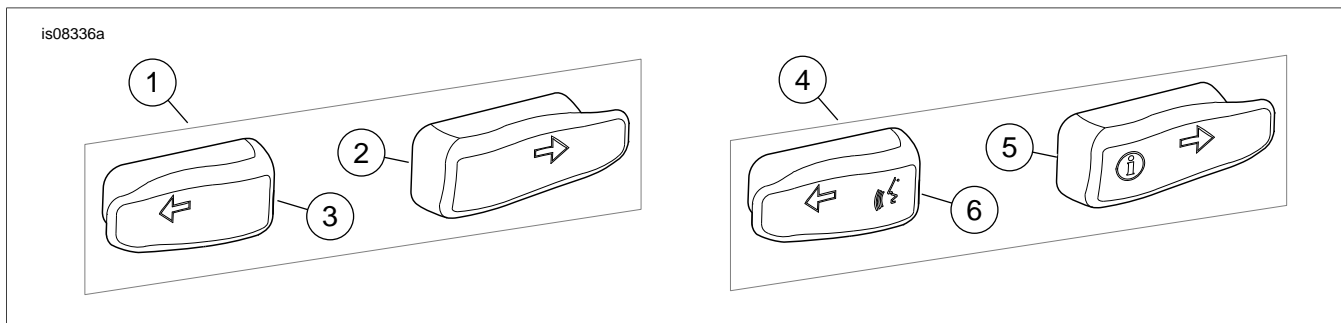


Figure 3. Turn Signal Switch Extension Cap Kits

## SERVICE PARTS

Table 1. Service Parts

Kit	Item	Description (Quantity)	Part Number
Kit 71500285 (Models without Information and Communication systems)	1	Turn Signal Switch Extension Cap Kit (includes Items 2-3)	71500285
	2	• Switch extension cap, right turn	Not sold separately
	3	• Switch extension cap, left turn	Not sold separately
Kit 71500286 (Models with Information and Communication systems)	4	Turn Signal Switch Extension Cap Kit (includes Items 5-6)	71500286
	5	• Switch extension cap, right turn (information icon)	Not sold separately
	6	• Switch extension cap, left turn (communication icon)	Not sold separately