



# Gas Barbecue Use, Care & Assembly Manual With Grill Lighting Instructions

**Model 9928 Series (LP Gas)**

**ASSEMBLER/INSTALLER:**  
Leave these instructions with the consumer.

**CONSUMER/USER:**  
Read all instructions and keep in a safe place for future reference.



[www.coleman.com](http://www.coleman.com)

**NOTE:**  
1) Propane tank is not included.

## **IMPORTANT**

Read this manual carefully before assembling, using or servicing this grill. Keep this manual for future reference. If you have questions about assembly, operation, servicing or repair of this grill, please call Coleman at 1-800-835-3278 or TDD: 316-832-8707. In Canada call 1 800 387-6161.

**For Outdoor Use Only**



ANSI Z21.58a-2006 • CSA 1.6a-2006  
Outdoor Cooking Gas Appliances

## Contents

Technical Characteristics .....	2
General Safety Information .....	2
General Installation .....	3
Portable L.P. Gas Barbecue Cylinders .....	3
Grill Features .....	4
Grill Assembly .....	5
Interior Parts Use and Care .....	6
Installing 1 LB. Disposable Cylinder .....	7
Leak Testing - Disposable Gas Cylinders .....	8
Fixing a Fuel Leak .....	8
Start-Up Check List .....	8
Lighting Instructions .....	9
Lighting the Burners .....	9
Shutting Off the Grill .....	10
General Use and Correct Burner Flames .....	10
Grilling Tips and Hints .....	11
In Case of Grease Fire .....	11
Cooking Methods .....	11
Care, Maintenance, and Cleaning .....	12
Cleaning the Venturi .....	13
Moving and Storage .....	14
Troubleshooting .....	14
Registration Card .....	17
Replacement Parts List .....	19
Warranty .....	20

## Technical Characteristics

Input Rating: 2 burners @ 12,000 BTU/H each.  
Category: Pressure regulated propane  
Fuel: 16.4 oz. disposable propane cylinders  
Regulator: 9928

## General Safety Information

This manual contains important information about the assembly, operation and maintenance of this product and system. General safety information is presented in these first few pages and is also located throughout the manual. Particular attention should be paid to information accompanied by the safety alert symbols: "▲ DANGER", "▲ WARNING", "▲ CAUTION".

Keep this manual for future reference and to educate new users of this product. This manual should be read in conjunction with the labeling on the product.

Safety precautions are essential when any mechanical or propane fueled equipment is involved. These precautions are necessary when using, storing, and servicing. Using this equipment with the respect and caution demanded will reduce the possibilities of personal injury or property damage.

The following symbols shown below are used extensively throughout this manual. Always heed these precautions, as they are essential when using any mechanical or fueled equipment.

### ▲ DANGER

DANGER indicates an imminently hazardous situation which, if not avoided, will result in death or serious injury.

### ▲ WARNING

WARNING indicates a potentially hazardous situation which, if not avoided, could result in death or serious injury.

### ▲ CAUTION

CAUTION indicates a potentially hazardous situation which, if not avoided, may result in minor or moderate personal injury, or property damage.

### ▲ DANGER

If you smell gas:

1. Shut off gas to the appliance.
2. Extinguish any open flame.
3. Open lid.
4. If odor continues, keep away from the appliance and immediately call your gas supplier or your fire department.

### ▲ WARNING

1. Do not store or use gasoline or other flammable liquids or vapors in the vicinity of this or any other appliance.
2. An LP cylinder not connected for use shall not be stored in the vicinity of this or any other appliance.

#### CALIFORNIA PROPOSITION 65:

**WARNING:** Combustion by-products produced when using this product contain chemicals known to the State of California to cause cancer, birth defects, or other reproductive harm.

### ▲ DANGER

- FOR OUTDOOR USE ONLY. NEVER operate grill in enclosed areas, as this could lead to gas accumulating from a leak, causing an explosion or a carbon monoxide buildup which could result in injury or death. DO NOT use in garages, breezeways, sheds or any enclosed area.
- NOT FOR USE BY CHILDREN.
- If these instructions are ignored, a hazardous fire or explosion could result in physical injury, death or property damage!

### ▲ WARNING

- DO NOT move grill while it is lit.
- Keep outdoor cooking gas appliance area clear and free from combustible materials, gasoline and other flammable vapors and liquids.

### ▲ WARNING

- NEVER place more than 10 pounds on a side table. DO NOT lean on grill.
- NEVER use charcoal briquettes or lighter fluid in a gas grill.
- Grill is hot when in use; to avoid burns, DO NOT touch any hot grill surface. Keep children and pets away from hot grill.
- NEVER leave the grill unattended while it is in use.
- It is your responsibility to assemble, install, operate and care for your gas grill properly.
- DO NOT use gas grill indoors.
- Under some circumstances, propane may lose the distinctive odor that was added. Other strong odors may hide or mask the odor of propane. Colds, allergies, sinus congestion, and the use of tobacco, alcohol or drugs may impair your ability to detect the odor of propane.

## General Installation

- Installation must conform with local codes or, in the absence of local codes, with either the National Fuel Gas Code, ANSI Z223.1/NFPA 54, Natural Gas and Propane Installation Code, CSA B149.1, or Propane Storage and Handling Code, CSA B149.2, or the Standard for Recreational Vehicles, ANSI A 119.2/NFPA 1192, and CSA Z240 RV Series, Recreational Vehicle Code, as applicable.
- To check local codes, see your local L.P. gas dealer or natural gas company listed in the Yellow Pages for recommended installation procedures and regulations.

### **⚠ WARNING**

This appliance is not to be installed in or on a recreational vehicle and/or boat.

#### Follow these safety rules before each use:

1. A minimum clearance of 36 inches from the left, right, back and bottom sides of the grill must be maintained between the grill and any combustible construction such as wood siding of a building.
2. Never locate the grill under an unprotected combustible material or overhang.
3. Do not obstruct the flow of combustion and ventilation air. Maintain a minimum clearance of 3 inches from the back of the grill and non-combustible construction such as a concrete or brick wall.
4. Keep the ventilation opening(s) of the cylinder enclosure free and clear from debris.
5. The grill should be level and not facing directly into the wind.

### **⚠ WARNING**

A liquid propane tank, not connected for use with this gas barbecue, shall not be stored in the vicinity of this or any other appliance.

**Connections must comply with local requirements and are the sole responsibility of the person performing the work.**

### **⚠ WARNING**

- **DO NOT attempt to adjust the regulator as this could create a situation causing personal injury or property damage.**

## Portable L.P. Gas Barbecue Cylinders

Liquefied Petroleum gas (abbreviated L.P. gas or propane), is highly flammable. It becomes liquid when stored under high pressure inside a cylinder and vaporizes when released. L.P. gas is heavier than air and tends to collect in low areas. It is important that there are no leaking connections on your gas grill that could cause a fire or explosion (see the section titled "LEAK TESTING").

Portable LP gas grills require a fuel delivery system which is comprised of a valve [A], a regulator [B] with vent hole [C], an L.P. gas supply cylinder [D], (Fig. 1). Illustration in Fig. 1 is for description purposes only.

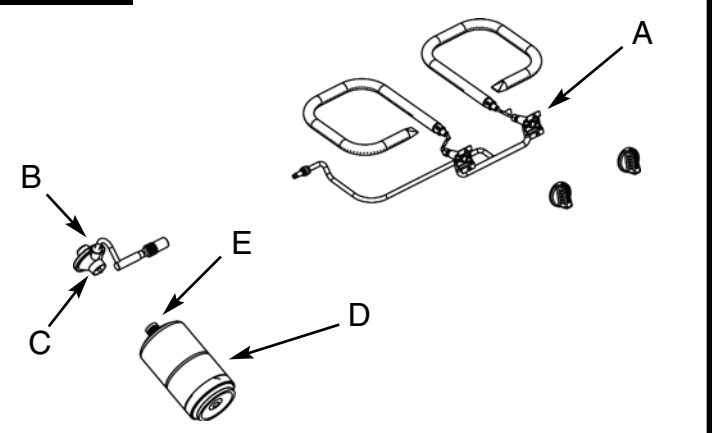
## Cylinder Specifications

- All L.P. gas cylinders used with this appliance shall be constructed and marked in accordance with the Specifications for L.P. Gas Cylinders of the U. S. Department of Transportation (DOT) or the National Standard of Canada, CAN/CSA-B339, Cylinders, Spheres and Tubes for Transportation of Dangerous Goods; and Commission, as applicable; and shall be provided with a listed overfilling prevention device, if required; and a cylinder connection device compatible with the connection for outdoor cooking appliances.
- Read labels on the L.P. Gas Supply Cylinder.

### **⚠ WARNING**

Your new barbecue grill is equipped with a CGA # 600 regulator [B]. DO NOT attempt to connect this regulator to any other disposable L.P. cylinder not equipped with a mating CGA # 600 fitting [E]. This grill may only be used with the pressure regulator supplied with this unit, or pressure regulators specified by Coleman for use with this unit. Replacement regulators must only be those specified by Coleman.

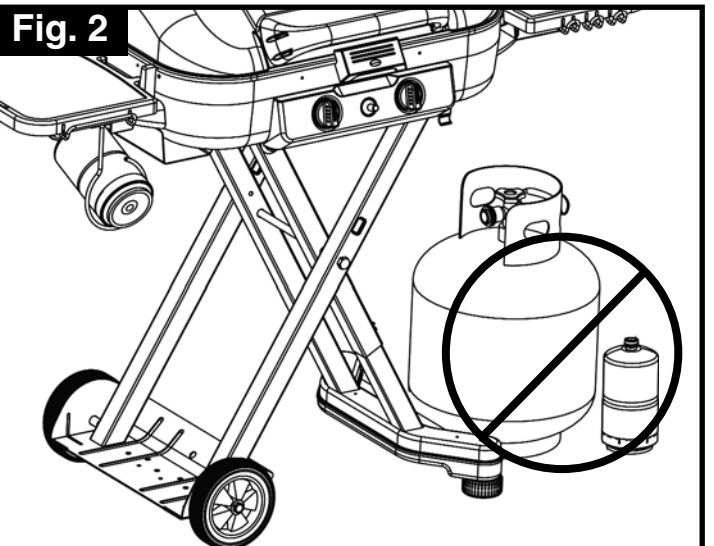
Fig. 1



### **⚠ DANGER**

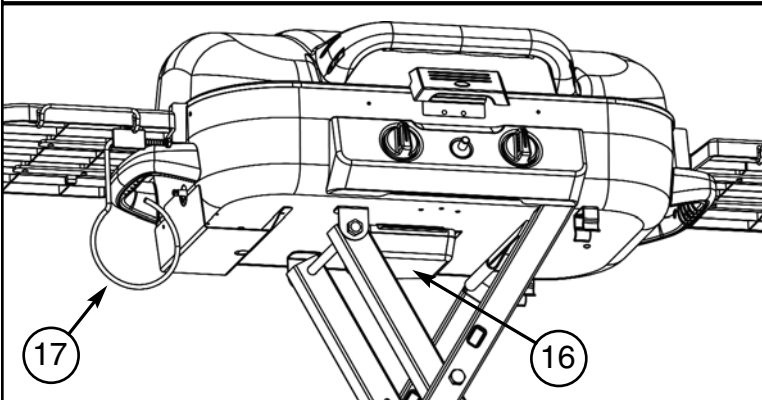
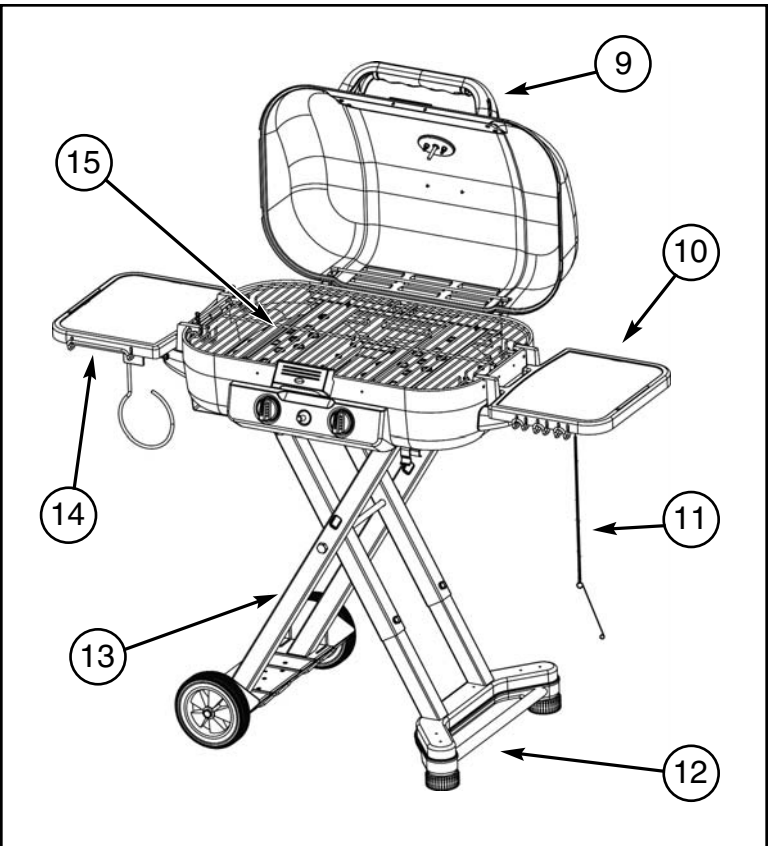
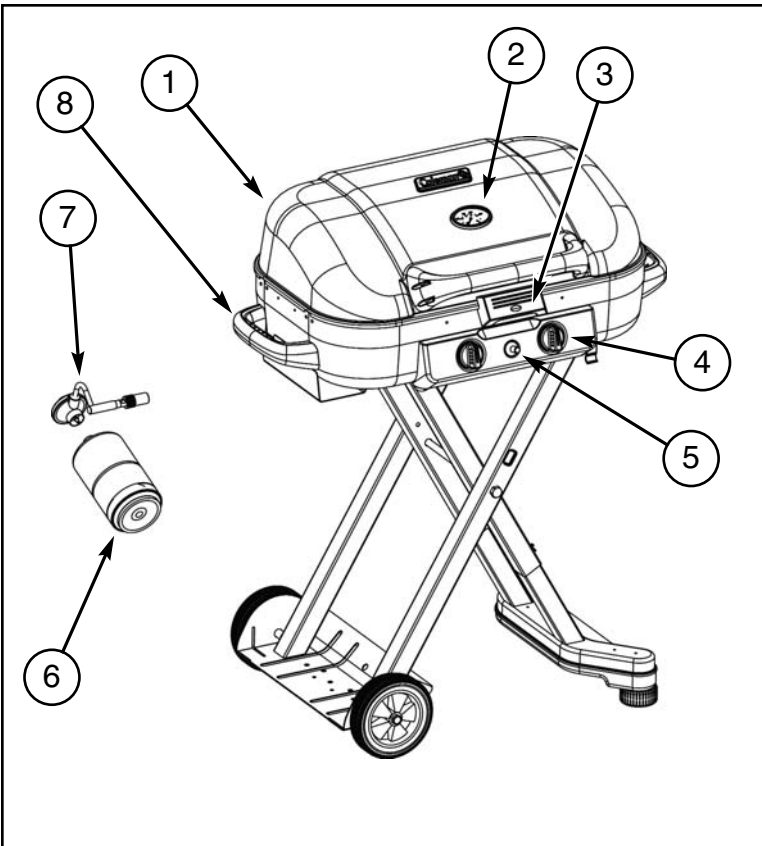
- **NEVER** store a spare L.P. gas supply cylinder under the grill body or inside the grill enclosure or in the vicinity of any heat producing appliance. (Fig. 2)

Failure to follow this information exactly could result in an explosion and/or fire causing death or serious injury.



REPRESENTATIVE ILLUSTRATION

## Grill Features



- |  |   |
|--|---|
| <ul style="list-style-type: none"> <li>1. Grill Lid</li> <li>2. Thermometer</li> <li>3. Lid Release Latch</li> <li>4. Control Knob</li> <li>5. Electronic Igniter</li> <li>6. 1 lb. Disposable Cylinder<br/>(purchase separately)</li> <li>7. Regulator</li> <li>8. Carry Handle</li> <li>9. Lid Handle</li> </ul> | <ul style="list-style-type: none"> <li>10. Side Shelf with Tool Hooks</li> <li>11. Match Extension (stores under table)</li> <li>12. Towing Handle</li> <li>13. Collapsible Stand</li> <li>14. Side Shelf with Towel Hook</li> <li>15. Grilling/Cooking Surface</li> <li>16. Grease Tray</li> <li>17. Cylinder Mount</li> </ul> |
|--|---|

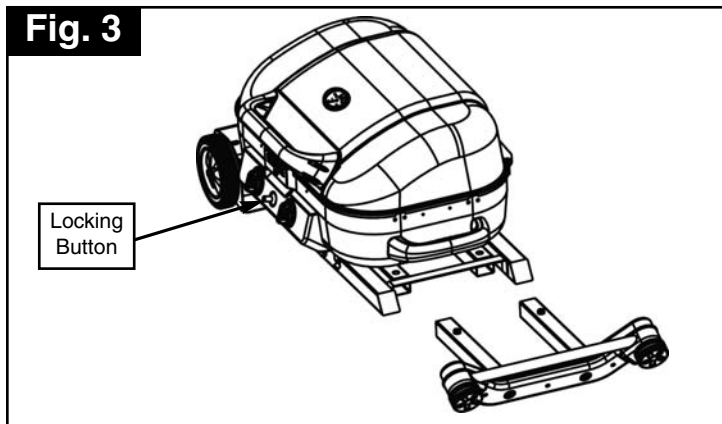
## Grill Assembly

**IMPORTANT: Remove all packing material prior to assembly/use. If your grill has stainless steel components, remove all protective plastic film from stainless steel parts prior to assembly/use. This film is installed at the factory to prevent damage that could occur during shipment and handling.**

### Assemble the Towing Handle

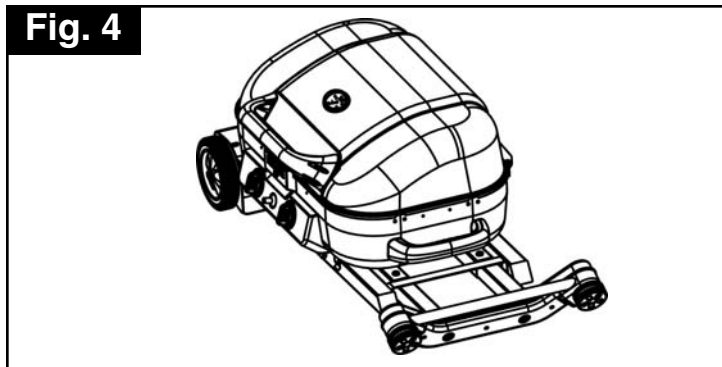
1. Place the grill on a flat and level surface. Insert the towing handle into the rectangle tubing in the stand (Fig. 3).

**Fig. 3**



2. Depress the locking buttons at the same time, then slide the towing handle until it locks in place (Fig. 4).

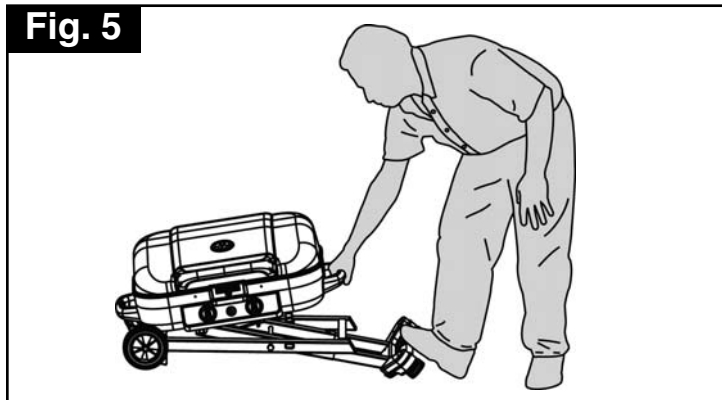
**Fig. 4**



### Extend the Grill Support

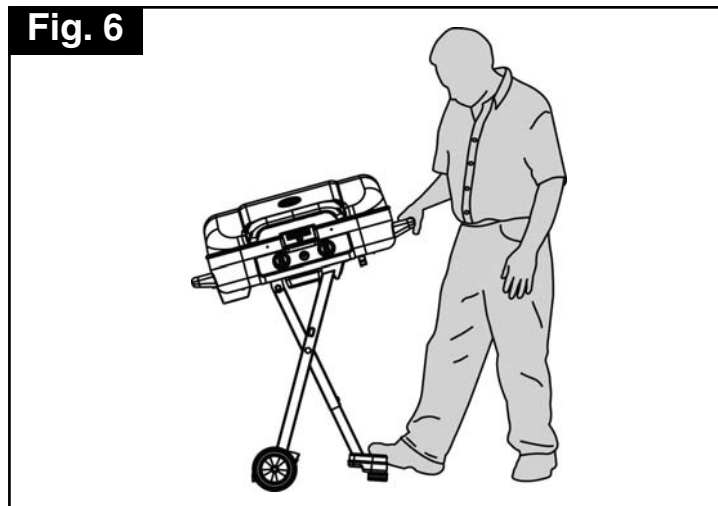
3. Make sure the Towing Handle is extended and locked in position (Fig. 3).
4. Place one foot on the Towing Handle, grasp the lift handle and lift to extend the grill stand (Fig. 5).

**Fig. 5**



5. Continue to lift the grill until the stand extends past the locking bracket (Fig. 6).

**Fig. 6**



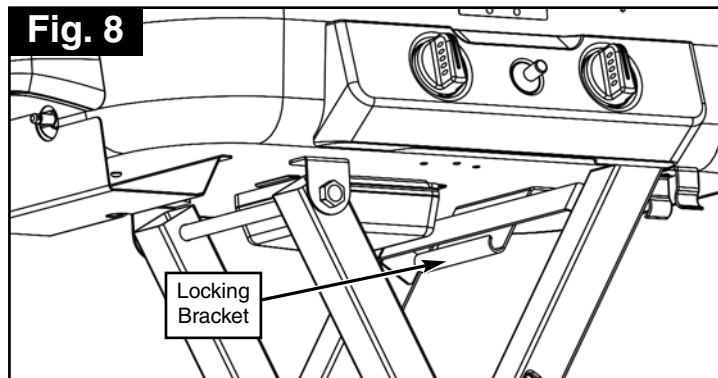
6. Carefully lower the grill into the grill stand, making sure the unit is secured in the upright position (Fig. 7).

**Fig. 7**



7. The locking bracket must engage the stand (Fig. 8).

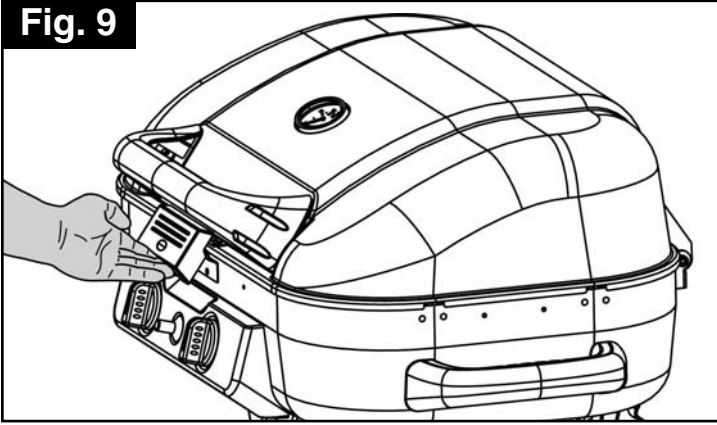
**Fig. 8**



## Interior Parts Use and Care

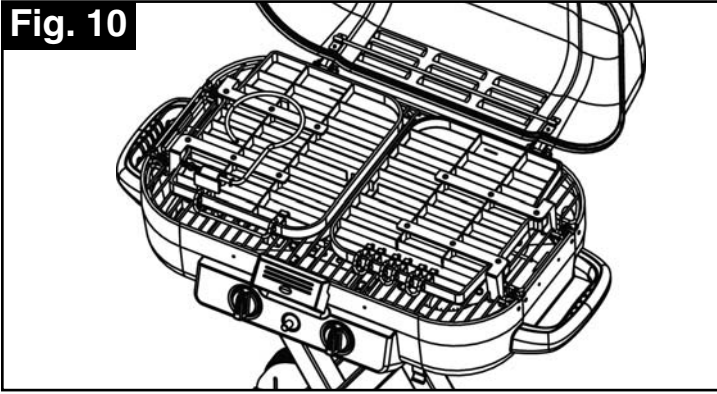
8. Open the grill lid by raising the bottom of the lid latch (Fig. 9).

**Fig. 9**



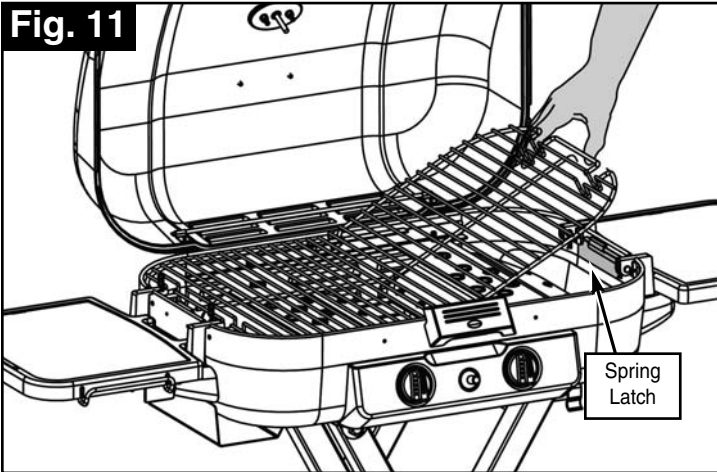
9. The side tables are stored underneath the grill lid (Fig. 10). Position both side tables outside the grill before lighting or using the grill.

**Fig. 10**



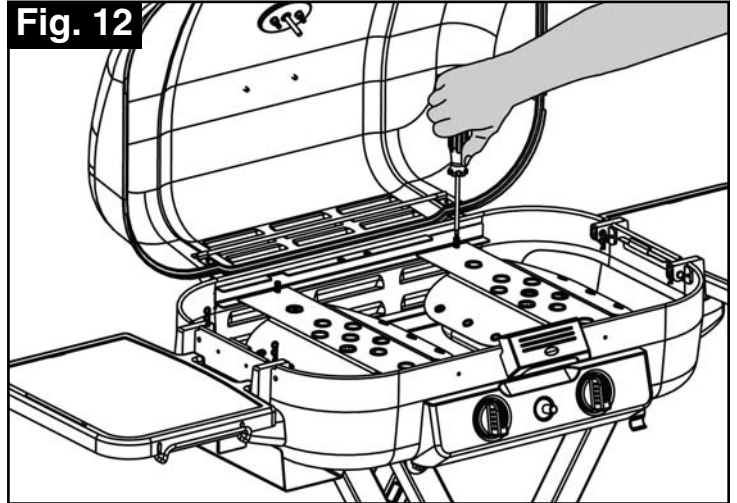
10. The cooking surfaces snap out of the grill for easy cleaning. A spring latch holds each cooking surface in place. Release the spring latch and raise the outside edge to remove each cooking surface (Fig. 11).

**Fig. 11**



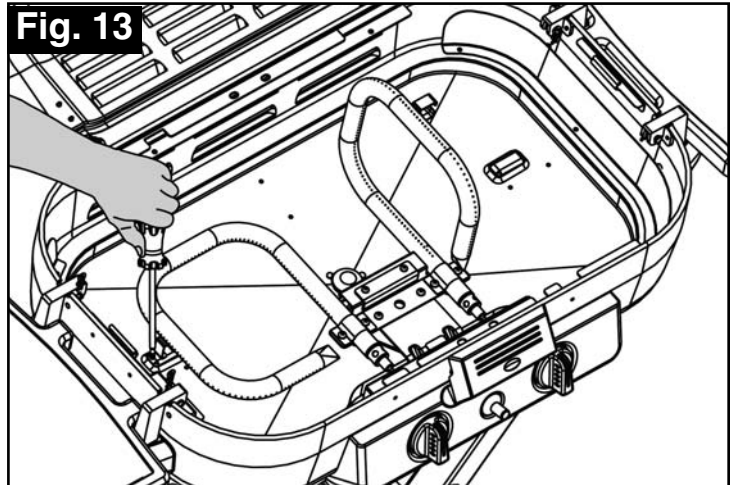
11. Two thumbscrews hold each removable heat tent in place. Remove the thumbscrews and the heat tents for cleaning or to inspect the burner. A screwdriver may be necessary to remove the thumbscrews (Fig. 12).

**Fig. 12**

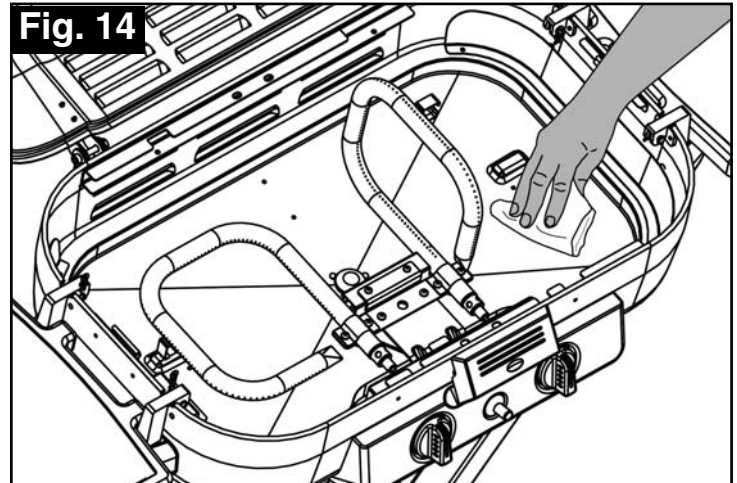


12. Each burner is secured in place with one screw. After removing the burner screws, the burners may be rotated up to allow easy cleaning or inspection of the grill base (Fig. 13 and 14).

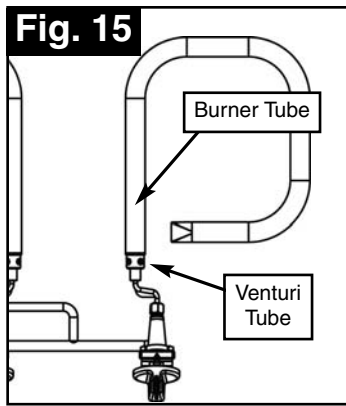
**Fig. 13**



**Fig. 14**



13. After cleaning or inspection, return the burners down to the proper position. Check that all the burner venturi are set over the valve outlets correctly. The valve orifices must be inside the venturi tubes and the venturi tubes must be inside the burner tubes (Fig. 15). Reinstall the burner screws.



14. Before lighting the grill, reassemble and make sure all parts are in their proper working position.

### Installing 1 lb. Disposable Cylinders

**NOTE:** Your 9928 Series grill is set up from the factory to use a 1 lb. disposable propane cylinder.

### ⚠ WARNING

Only cylinders marked "Propane" must be used.

### ⚠ WARNING

This procedure **MUST** be performed **OUTDOORS** only! Read and follow the directions on the cylinder.

### ⚠ DANGER

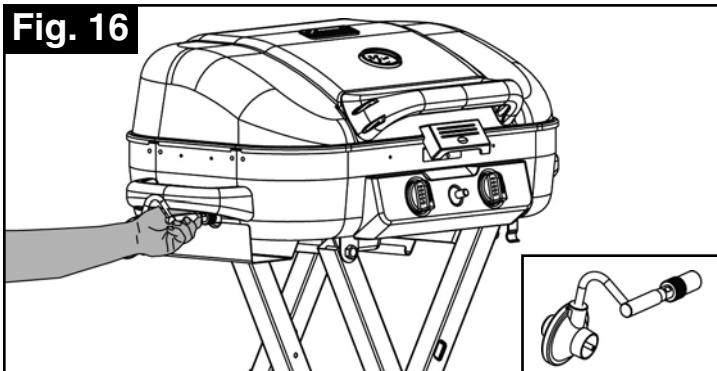
- NEVER store a spare L.P. gas supply cylinder under the grill body or inside the grill enclosure or in the vicinity of any heat producing appliance.

Failure to follow this information exactly could result in an explosion and/or fire causing death or serious injury.

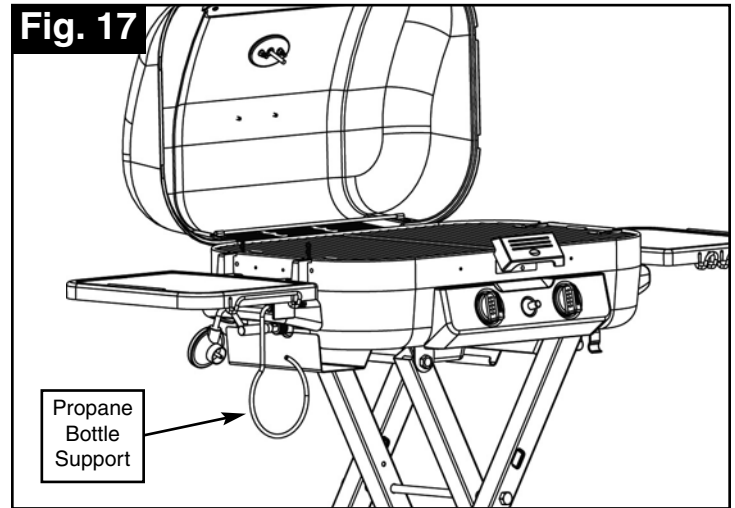
### ⚠ CAUTION

Tighten by hand only. DO NOT use tools.

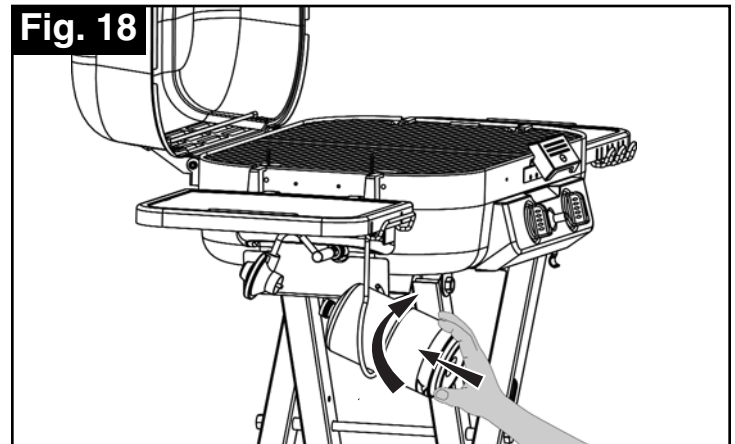
1. Screw the regulator into the grill hand tight (Fig. 16).



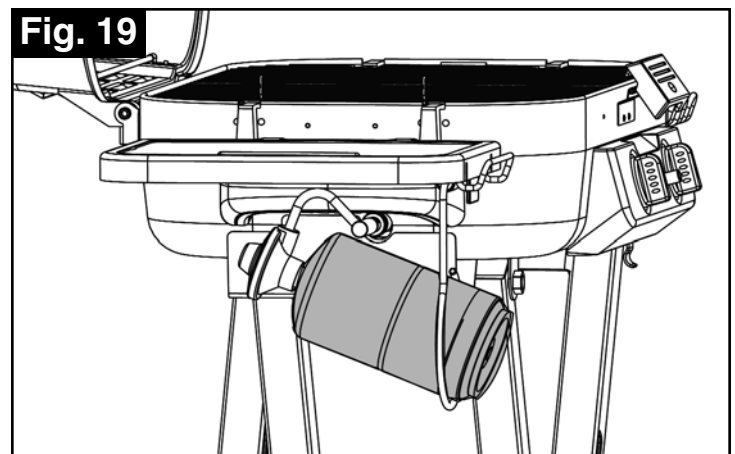
2. Open the grill lid and extend the side tables. Lower the propane bottle support (Fig. 17).



3. Remove the plastic cap from the propane bottle and screw the propane bottle into the regulator hand tight (Fig. 18).



4. The cylinder must be arranged for vapor withdrawal. Illustration (Fig. 19) shows the propane bottle properly installed.



## Leak Testing - Disposable LP Gas Cylinders

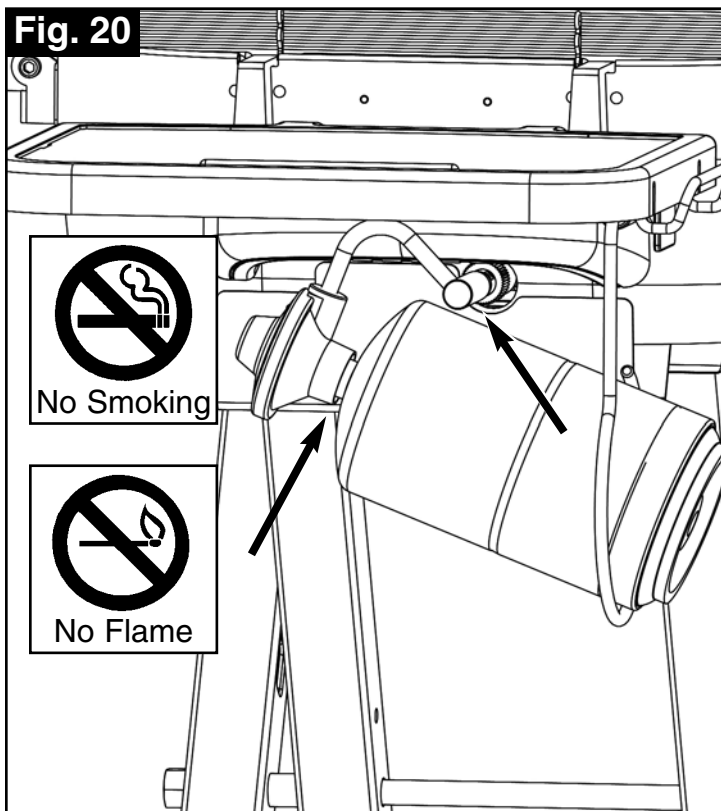
### **⚠ DANGER**

#### To PREVENT FIRE OR EXPLOSION HAZARD:

- NO SMOKING. DO NOT use or permit sources of ignition in the area while doing a leak test.
- Perform leak tests outdoors only.
- NEVER perform a leak test with fire or flame.

## How to Check for Leaks

1. Make a soapy solution of equal parts mild liquid dishwashing detergent and water.
2. Turn off all burner control knobs.
3. Apply a soap solution to the connections indicated with the arrows (Fig. 20). If bubbles appear at these areas, a leak is indicated.



## Fixing A Fuel Leak

### If you detect a leak:

1. Stop a leak by tightening the loose joint, or by replacing the faulty part with a replacement part recommended by Coleman. DO NOT attempt to repair the cylinder if it should become damaged; the cylinder MUST be replaced.
2. If you are unable to stop a leak, remove the cylinder from the grill. DO NOT use the grill until the leak is corrected.

### When to test for leaks:

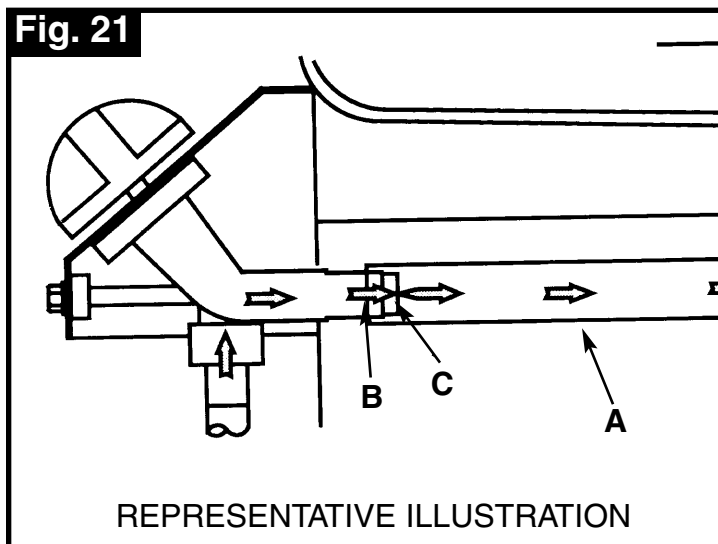
1. Perform a leak test each time the gas supply cylinder is connected to the regulator. Leak test anytime a part of the gas system is replaced.

## Start-Up Check List

### **⚠ WARNING**

Failure to follow these safety steps before using the grill each time could result in a fire that could be hazardous to you, your appliance or property. It is especially important to observe these steps after the grill has been stored, moved or cleaned.

- 1. Regularly check the burner venturi tubes for blockage from an insect nest. Read "Cleaning the Venturi" in the section titled "Care, Maintenance, and Cleaning", and also the section titled "Troubleshooting".
- 2. Check that all the burner venturi [A] are set over the valve outlets [B] correctly. The valve orifice [C] must be inside the venturi (Fig. 21).
- 3. Use only the gas specified.
- 4. Keep the grill on a level surface.
- 5. Keep the grease pan empty at start up.



### **⚠ CAUTION**

DO NOT add charcoal or lighting fluid!



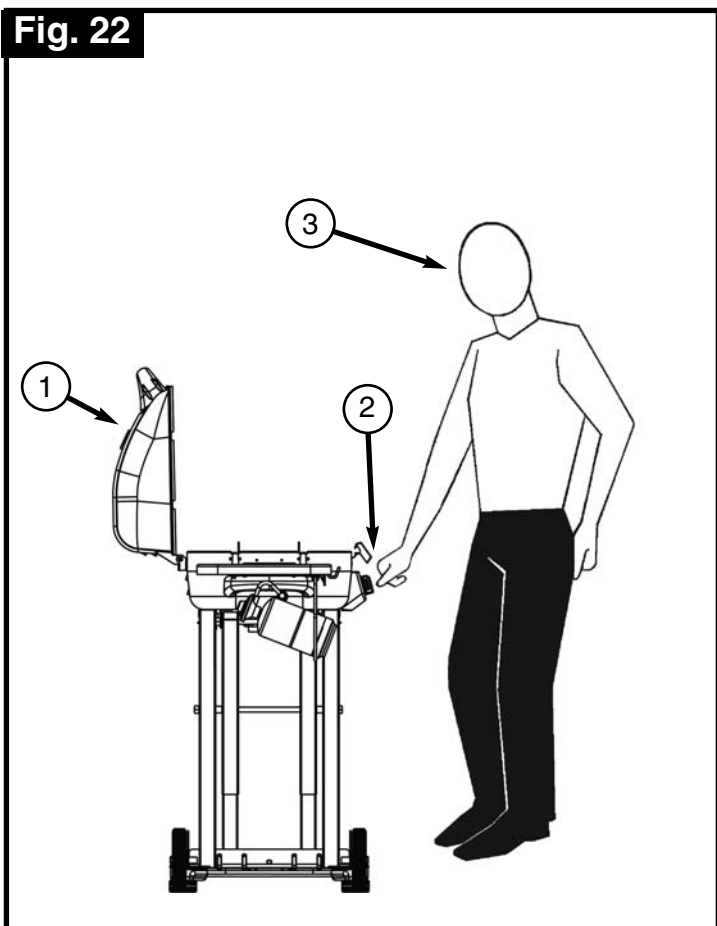
## Lighting Instructions

### ⚠ WARNING

**THE FOLLOWING RULES MUST ALWAYS BE FOLLOWED IN THIS ORDER (Fig. 22):**

1. OPEN THE GRILL LID! Any attempt to light the grill with the lid down could cause an explosion.
2. Check that the burner control knobs are turned to "OFF".
3. DO NOT stand with your head or arms over the grill.

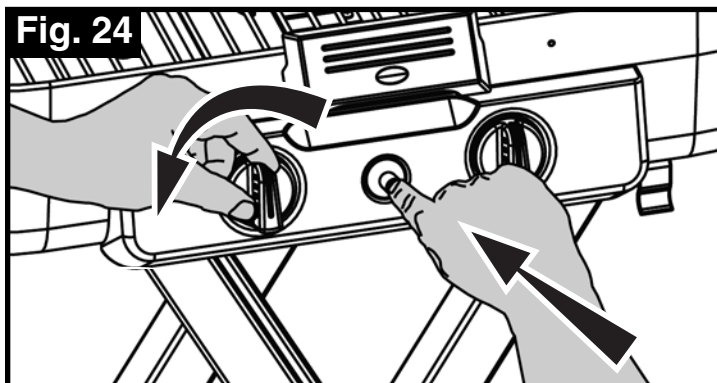
Fig. 22



## Lighting The Burners

1. Push and turn one of the burner control knobs counterclockwise to the "HIGH" position. **Wait 5 seconds** (Fig. 23 and 24).
2. Push igniter button repeatedly until burner lights. You will hear a snapping sound (Fig. 24).
3. If the burner does not light in 4 seconds, turn the control knob to OFF and wait 5 minutes for the gas to clear before trying again.
4. The second burner can be ignited by turning it on after first burner is lit.
5. If the burner does not light on the second try, turn the control knob to OFF and wait 5 minutes for the gas to clear, and then try match-lighting the burner.

Fig. 24



### Match Lighting

1. Strike and place the burning long wooden match (or use the match extension or a butane lighter with extension) through the spaces in the grill grates near the ports of the burner between the heat tents (Fig. 25).
2. Push and turn the control knob counterclockwise to the "HIGH" position.
3. The second burner can be ignited by turning it on after first burner is lit.

### ⚠ CAUTION

Use a LONG wooden match or a butane lighter with an extension. Make sure all burner controls are off except for the burner being lighted. If a long-reach match or lighter is not accessible, use the match extension. Insert a match in the holder end of the extension, strike and place the burning match near the BURNER being operated.

Fig. 23

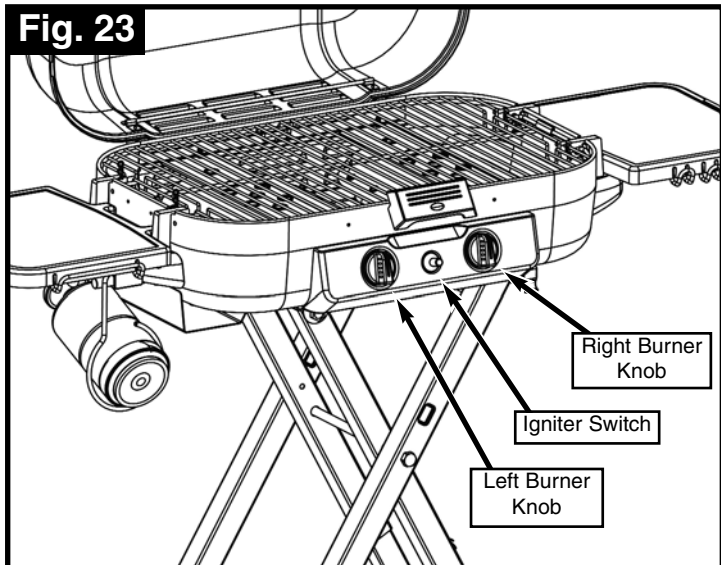
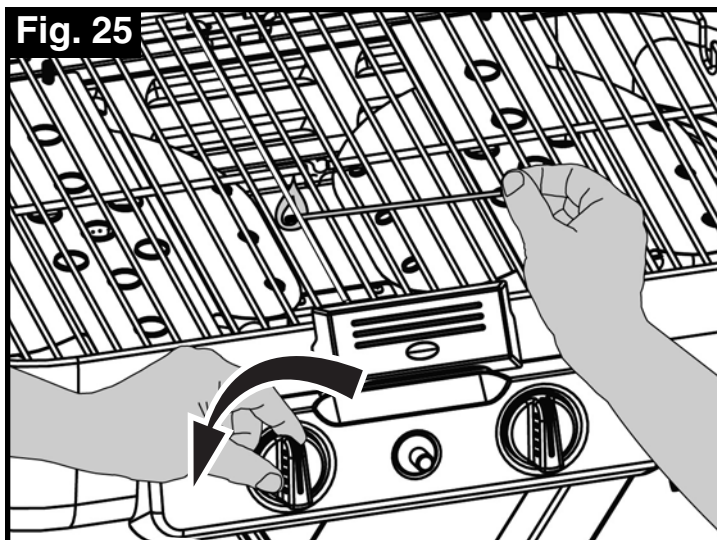


Fig. 25



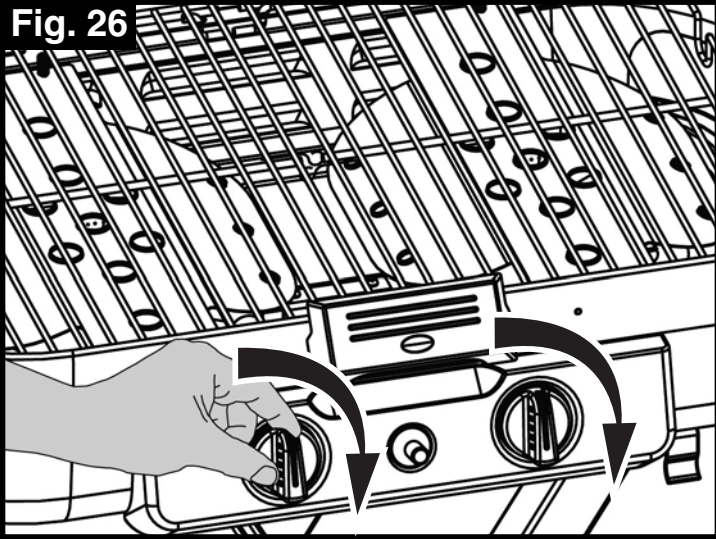
## Shutting Off the Grill

### ⚠ CAUTION

DO NOT touch hot grill parts with your bare hands!  
You MUST use protective gloves.

1. Turn all burner control knobs to off (Fig. 26).

Fig. 26



### ⚠ CAUTION

Be certain the disposable cylinder is disconnected when the grill is placed in storage.

## General Use and Correct Burner Flames

### ⚠ WARNING

- Keep the grill area clean and free from combustible materials, gasoline and other flammable vapors, liquids, and spare L.P. cylinders.
- To avoid the possibility of tipping over the grill, NEVER place more than 10 pounds on the side table. A filled 4-quart aluminum pot weighs approximately 10 pounds.
- DO NOT obstruct the flow of combustion and ventilation air.
- Keep the ventilation opening(s) of the L.P. cylinder enclosure free and clear of debris.
- A barbecue grill becomes hot during use. DO NOT touch grates, or cooking surfaces.
- Be sure to tighten all hardware (screws, nuts, bolts, etc.) at least once a year or before each grilling season.

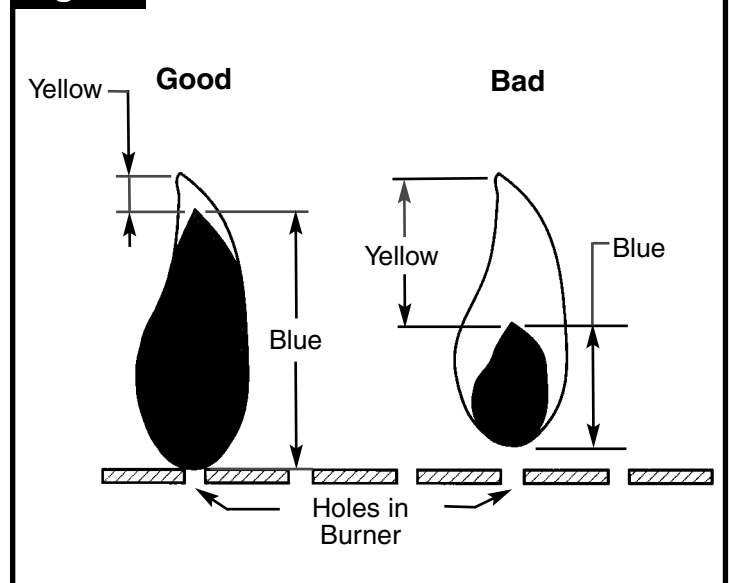
## Condition The Grill

- Before using the grill for the first time, or after storage, operate the grill 15 minutes on the high setting with the lid closed, to burn away oil.
- Once the oil has burned away, check the burner flame per the next step.

## The Burner Flame

- Open the grill lid. The cooking grates should be in place.
- Keep your arms and face away from being directly above the cooking area. Look through the cooking grates and observe the burner's flame below the heat tents.
- Flames should appear similar to the good flame shown in Fig. 27 and as follows:
  - A good flame should be blue with a yellow tip.
  - Some yellow tips on flames up to 1 inch in length are acceptable as long as no carbon or soot deposits appear.
  - If flames are excessively yellow and irregular, the oil residue may not be completely burned off, or the venturi may be clogged or may not be properly positioned over the orifices. Allow the grill to cool before repositioning the venturi over the valve and orifices.
- Grills that have been in use for a while sometimes begin to show more yellow flame. A build-up of food deposits, fats or cooking seasonings can cause yellowing flames. Clean the burner to remove residue and check for clogged burner holes or a blocked venturi. Refer to the section titled "Cleaning the Venturi".
- Regular use of your grill will actually help keep it operating more smoothly.
- Each grill may heat differently. Some units will heat somewhat more to the center and back of the grill. The flavor of grilled food will improve the more you use the grill and as you become familiar with it.

Fig. 27



## Grilling Tips and Hints

### Burner Control Setting Tips

- The high flame setting is too hot for direct cooking. The high flame setting is good for quick searing of meat, then finish cooking on medium or low flame settings.
- Use the high flame setting with the lid closed to preheat the grill for 5 minutes before cooking and with the lid closed for a maximum of 5 minutes after cooking to burn off grease drippings.
- Use a medium flame setting for direct cooking of steaks, pork chops, chicken and hamburgers.
- Use a low flame setting for roasts.
- Thick steaks will finish with a better texture and more juice if first seared on high flame setting and then cooked on a low flame setting.

### Safe Grill Operation

- NEVER leave cooking food unattended. Continually observing the food will help in maintaining an even temperature, conserve fuel, improve the food's flavor and lessen flare-ups.
- To open the grill lid, slowly lift the handle to avoid burning in case of a grease fire flare-up.
- DO NOT expose any part of your body directly above the cooking area.

### Food Preparation Hints

Your grill can cook a variety of foods. For best results, follow these instructions:

- Trim excess fat from meat and poultry. Slash any remaining fat to stop curling, but take care not to cut the meat.
- Frozen meat and poultry should be thawed prior to cooking.
- Frozen fish and vegetables will cook without thawing.
- Salt food after cooking to help prevent drying out the food.
- Brush naturally lean meats with cooking oil or margarine.
- Cook small pieces of tender foods in foil or on special delicate-food cooking grates (see the section titled "Cooking Methods").
- Apply barbecue, tomato or sugar-based sauces no sooner than the last 10 minutes of cooking.
- Turn food with tongs or a spatula; piercing food (especially meat), tends to dry it out.

## In Case of Grease Fire

### Follow These Steps:

1. Shut off the gas at the burner valve(s) and stay away!
2. Allow the fire to burn itself out.
3. Once the fire is out and the appliance has cooled, remove the disposable cylinder.
4. Clean all parts and inspect for damage. Parts to check for damage are the L.P. cylinder, regulator, burner valve(s) and burner(s).
5. If any of the above mentioned components are damaged, seek replacement from Coleman before operating the grill again. Locate your nearest service center by calling 1-800-835-3278.

### Note:

- Some flare-up adds a smoky flavor and sears food. Excessive grease fires can cause a potentially hazardous situation and damage the grill.
- Avoid excessive flare-ups by preheating the grill with the lid closed for 5 minutes on the high setting to burn off grease from previous cooking.
- Cook with the lid down and continually monitor cooking food to avoid grease fires and flare-ups.
- Trimming excess fat from meat will reduce grease fires and flare-ups. Cook fatty meat in smaller amounts over indirect heat on a low setting.
- Be sure to follow the instructions in the section titled "Care, Maintenance, and Cleaning".

## Cooking Methods

### Direct Method:

- The heat source is directly below the food.
- Use for browning meat or cooking hot dogs and hamburgers, but check food frequently.
- Use for skillet and stir-fry cooking, but limit the amount of oil and heat to be used.
- Cook roasts, turkey or duck on low heat. Place meat with water in a foil pan with a corrugated bottom. Replenish water as needed.

### Indirect Method:

- Light only one side of the burner and place food on the opposite side for cooking.
- Allow food to cook at a lower temperature which increases tenderness and reduces grease flare-ups.
- It is a good method for cooking foods that burn easily (vegetables, fish, etc.).
- Cook casseroles in ovenware or foil pans much like cooking in a conventional oven.
- Also try placing a pan of water above the lit burner side to help meat retain its juices. Replenish the water as needed.

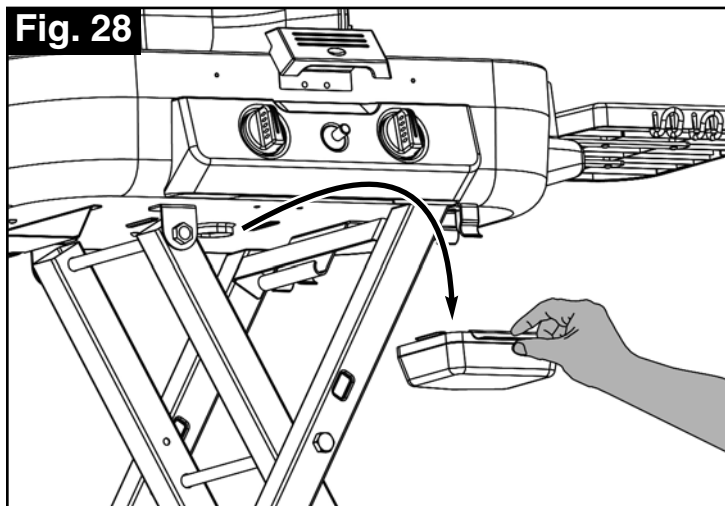
## Care, Maintenance and Cleaning

### **DRIP TRAY**

The drip tray is located below the grill and should be cleaned periodically to prevent heavy buildup of debris (Fig. 28).

**NOTE:** Allow the drip tray to cool before attempting to clean.

**Important:** Do not leave the grill outside during inclement weather unless it is covered (cover sold separately). Rain water can collect inside of the grill, or in the drip tray if left uncovered. If the drip tray is not cleaned after use and the grill is left uncovered, the drip tray will fill with water causing grease and water to spill. We recommend cleaning and storing the drip tray after every use.



### **COOKING GRATES**

The cooking grates can be cleaned immediately after cooking is completed and after turning off the grill. Wear a barbecue mitt and scrub the cooking grates with a damp cloth. If the grill is allowed to cool down, cleaning the grates will be easier if removed from the grill and cleaned with a mild detergent.

### **STAINLESS STEEL**

After initial usage, areas of the grill may discolor from the intense heat given off by the burners, this is normal and not considered a defect.

Purchase a mild stainless steel cleaner and rub in the direction of the grain of the metal. Specks of grease can gather on the surface of the stainless steel and bake on to the surface and give a worn appearance. For removal, use a non-abrasive oven cleaner in conjunction with a stainless cleaner.

**NOTE:** Always scrub in the direction of the grain.

## **CAUTION**

All cleaning and maintenance should be done only when the grill is cool & with the fuel supply turned off at the cylinder. Disposable propane cylinders should be detached from the grill during cleaning.

### **Suggested Cleaning Materials:**

- Mild dishwashing liquid detergent
- Hot water
- Wire brush
- Paper clip
- Nylon cleaning pad
- Soft brass-bristled brush
- Putty knife
- Scraper

### **Component Cleaning:**

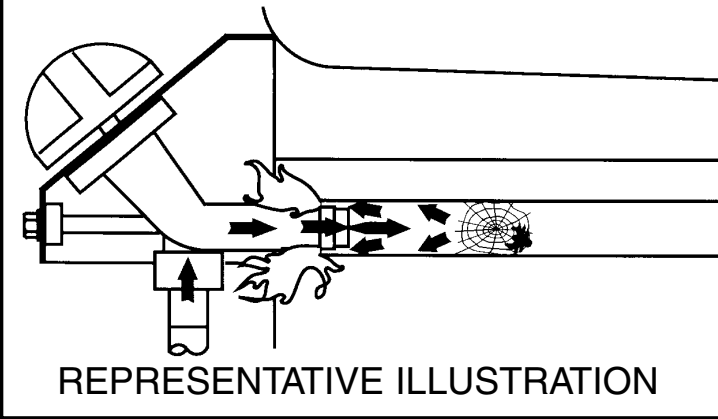
- **BURNER:** Wire-brush loose corrosion from the burner exterior. Clean clogged gas port holes with an opened paper clip. Replace corroded or damaged burners that would emit excess gas.
- **STAINLESS STEEL:** Clean with any multipurpose (low abrasive, no phosphorous) metal polish or stainless steel polish and a soft cloth to prevent marring or scratching the surface. **NEVER USE OVEN CLEANER!**
- **COOKING GRATES:** Clean cooking grates with mild soap and hot water. Remove stubborn residue with a mild cleanser or scrub brush. **DO NOT** use a commercial oven cleaner.
- **HEAT TENTS:** Wipe off grease residue using a cleaning pad and a brass-bristle brush to knock off residue. Replace heat tents to their correct position.
- **GRILL INTERIOR:** Remove grates and heat tents. Scrape side with tools and remove excess grease and cooking residue.

## Cleaning the Venturi

### ⚠ WARNING

Spider's nests or wasp's mud inside the venturi may cause fire at the valve. If a fire occurs, immediately turn off the gas supply at the L.P. cylinder valve (see representative illustration in Fig. 29).

Fig. 29



#### Note:

Spiders and small insects can spin webs and build nests inside the venturi tubes. This especially occurs in late summer and fall before frost when spiders are most active. These nests can obstruct gas flow and cause a fire in and around the burner valves. Such a fire can cause operator injury and serious damage to the grill. To help prevent a blockage and ensure full heat output, clean and inspect the venturi tubes often (once or twice a month). NOTE: Water or air pressure will not normally clear a spider web.

#### Steps For Cleaning Venturi:

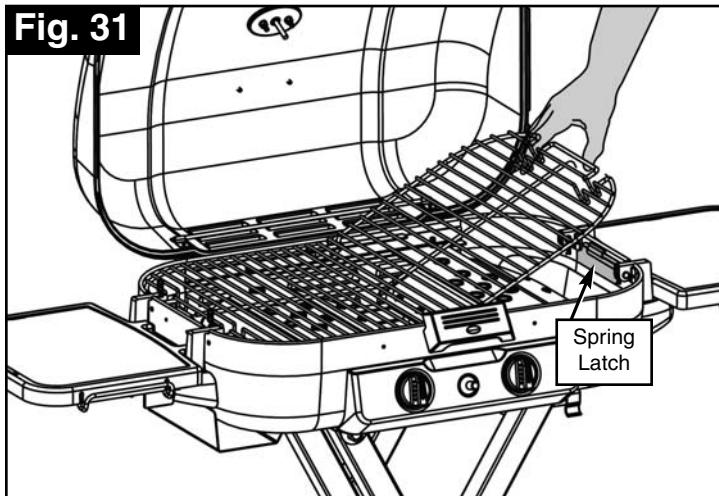
1. To remove the above obstructions, use an accessory flexible venturi brush or bend a small hook on one end of a 20-inch long flexible wire such as the one shown in Fig. 30.

Fig. 30



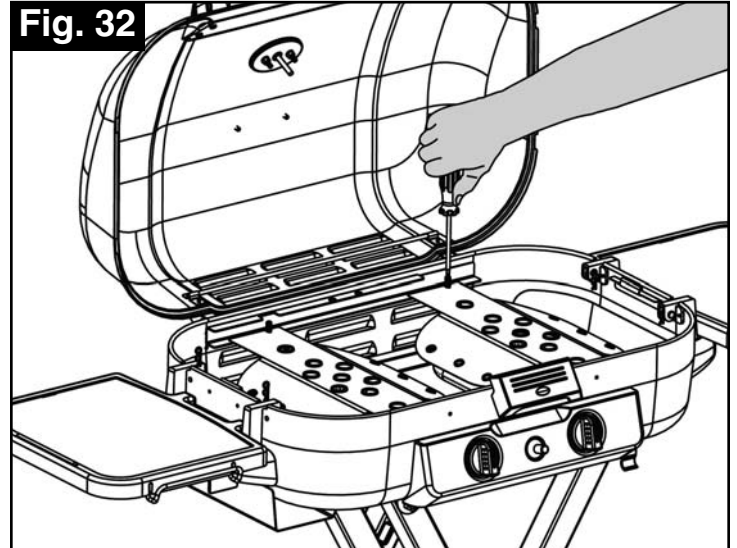
2. Remove the cooking grates set aside (Fig. 31).

Fig. 31



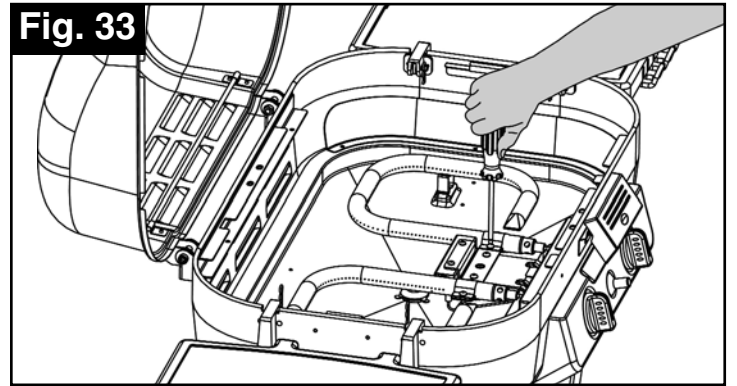
3. Using a screwdriver, remove the screws holding the heat tents and set aside (Fig. 32).

Fig. 32



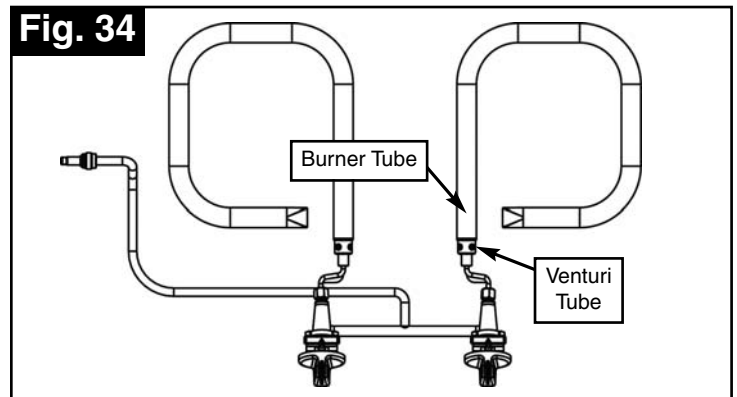
4. Using a screwdriver, remove the self-tapping screws holding the burner clamps and remove the burners (Fig. 33).

Fig. 33



5. Look inside lower end of venturi tubes for nests, webs or mud. If present, clean as shown in Step 1, Fig. 30.
6. Inspect and clean the burner if needed.
7. Replace the main burners and burner clamps, and position the burners in the operating position.
8. Make sure the valve orifices are inside the venturi tubes and the venturi tubes are inside the burner tubes, then tighten all self-tapping screws (Fig. 34).

Fig. 34



9. Reinstall the heat tents and the cooking grates.

## Moving and Storage

### ⚠ CAUTION

A collision with the grill, as with any metal object, could cause injury. Use care when moving a portable gas grill.

#### Moving the grill:

- DO NOT move the grill while it is lit or hot, or with objects on the cooking surface or side tables.
- Clean the grease tray before moving the grill to prevent spills.
- Collapse the grill before moving.
- Move the grill slowly. DO NOT run with the grill behind you; it could hit you from behind causing injury.

#### After moving the grill:

- Check all gas connections for leaks that could occur from the movement.
- Check the venturi tubes to be sure they are still over the orifices.

#### Steps to follow before storing grill:

- Clean the grill, including the grease tray.
- Coat the burner lightly with cooking oil to retard rusting.
- For outdoor use only. If the grill is stored indoors, detach the cylinder outdoors. If left outdoors, remove the cylinder and cover the grill for protection from the weather. Grill covers may be purchased from a grill dealer or manufacturer.

## Troubleshooting

### Problem: Grill will not light when the igniter button is pushed or has incomplete burner flame.

#### Possible Causes and Solutions:

1. Lack of fuel. Check to see that the cylinder has fuel.
2. Make sure one of the burners is turned on. Allow up to four seconds for gas flow to ignite.
3. If burner lights with match but not igniter, check the ceramic electrode position near the burner, the condition of the igniter wire and its connections. Perform igniter test and replace any damaged parts.
4. Check for spider webs or insect nest in venturi and clean venturi.
5. Check for misalignment of venturi on orifices. Position venturi over orifices.
6. Burner ports, orifices or valves have blockage. Clean the components.
7. Regulator failure; regulator needs to be replaced by an authorized service dealer.
8. Make sure the regulator and cylinder are properly assembled. See the section titled "Installing 1 lb. Disposable Cylinders".

### Problem: Yellow flame.

#### Possible Causes and Solutions:

1. Check for spider webs or insect nest in the venturi and clean the venturi.
2. New burner may have residual oil which will burn off.
3. Clean off any food residue, grease or seasoning salts on the burner.
4. The venturi may be misaligned and needs to be lined up over the orifice.

## Troubleshooting (continued)

### Problem: Flame blows out on low setting or has uneven heat distribution.

#### Possible Causes and Solutions:

1. Check for spider webs or insect nests in the venturi and clean the venturi.
2. Cold grill needs to be preheated for 5 minutes on high setting.
3. The venturi may be misaligned and needs to be lined up over the orifices.
4. Cold and windy weather will require you to move the grill away from the wind.
5. Lack of fuel. Check to see that the cylinder has fuel.

### Problem: Grill too hot.

#### Possible Causes and Solutions:

1. Excessive flareups which require the maintenance described in the section titled "IN CASE OF GREASE FIRE".
2. A damaged orifice or regulator which requires replacement with factory authorized parts.
3. Buildup of grease inside the grill will require cleaning and emptying the grease tray.
4. Choose a lower cooking temperature if using excessively high settings.

### Problem: Fire at any connection.

#### Possible Causes and Solutions:

**IMMEDIATELY shut off control valves and allow grill to cool.**

1. Gas is leaking from a faulty connection. Tighten connections with an adjustable wrench and replace damaged parts. Perform a leak test on all connections before cooking on the grill again.

### Problem: Flame behind control panel or control knob area.

#### Possible Causes and Solutions:

**IMMEDIATELY shut off control valves and allow grill to cool.**

1. Check for spider webs or insect nest in the venturi and clean the venturi.
2. Gas is leaking from a faulty connection. Hand tighten connections and replace damaged parts. Perform a leak test on all connections before cooking on the grill again.
3. The venturi may be misaligned and needs to be lined up over the orifices.







ATTN: DEPT 589

WICHITA, KS 67201  
PO BOX 2931  
PRODUCT REGISTRATION DEPARTMENT



Please  
Place  
First-Class  
Stamp  
Here

Please do not send other  
correspondence to the address below.

PLEASE FOLD AND SEAL WITH TAPE. DO NOT STAPLE.

# Coleman® Grill Warranty Registration Card



## IMPORTANT!

**COMPLETE THE ATTACHED REGISTRATION CARD AND RETURN WITHIN 10  
DAYS TO RECEIVE THESE IMPORTANT BENEFITS:**

- ▶ **CONFIRM YOUR WARRANTY:**  
Your prompt product registration confirms your right to the protection available under the terms and conditions of your Coleman® warranty.
- ▶ **PROTECT YOUR PRODUCT:**  
We will keep the model number and date of purchase of your new Coleman® product on file to help you refer to this information in the event of an insurance claim such as fire or theft.
- ▶ **PROMOTE BETTER PRODUCTS:**  
We value your input. Your responses will help us develop products designed to best meet your needs.

## CONGRATULATIONS ON YOUR NEW COLEMAN® GRILL PURCHASE!

If you have any questions about your product, please call Coleman Customer Service at 1-800-356-3612.  
**For easier/faster warranty registration, please go to the warranty registration section of our Coleman Web site at [www.coleman.com](http://www.coleman.com).**

- 1  Mr.    2  Mrs.    3  Ms.    4  Miss.

**First Name:** \_\_\_\_\_ **Initial:** \_\_\_\_\_ **Last Name:** \_\_\_\_\_  
 \_\_\_\_\_  
**Address (Number and Street):** \_\_\_\_\_ **Apt #:** \_\_\_\_\_  
 \_\_\_\_\_  
**City:** \_\_\_\_\_ **State:** \_\_\_\_\_ **Zip:** \_\_\_\_\_  
 \_\_\_\_\_  
**Phone #:** \_\_\_\_\_  
 \_\_\_\_\_

- 2 **Date of Purchase:** \_\_\_\_\_ / \_\_\_\_\_ / \_\_\_\_\_    3 **Purchase Price:** \$ \_\_\_\_\_ .00 (Excluding Tax)  
Month                  Day                  Year  
 1  Regular Price    2  Sale Price    3  Don't Know

4 **Store where purchased:** \_\_\_\_\_

5 **Product Model Number:** \_\_\_\_\_

- 6 **Can Coleman contact you with promotional information or updates about Coleman® products?**  
 1  Yes, Please contact me.    2  No, Thanks

7 **E-mail Address:** \_\_\_\_\_

**The following questions are not required to obtain warranty service but will greatly assist us in understanding your needs and building better performing products.**

- 8 **Which factors most influenced your purchase? (Please check all that apply.)**

- |   |   |
|---|---|
| 1) <input type="checkbox"/> Received as a gift                    | 8) <input type="checkbox"/> Magazine              |
| 2) <input type="checkbox"/> Brand                                 | 9) <input type="checkbox"/> In Store Display/Sign |
| 3) <input type="checkbox"/> Price                                 | 10) <input type="checkbox"/> Packaging            |
| 4) <input type="checkbox"/> Style                                 | 11) <input type="checkbox"/> Size                 |
| 5) <input type="checkbox"/> Recommendation from Store Salesperson | 12) <input type="checkbox"/> Weight               |
| 6) <input type="checkbox"/> Recommendation from Friend            | 13) <input type="checkbox"/> Ease of Use          |
| 7) <input type="checkbox"/> Television                            | 14) <input type="checkbox"/> Other Features       |
|   | 15) <input type="checkbox"/> Other                |

- 9 **Which of these best describes this purchase? (Please check all that apply.)**

- 1)  Received as a gift  
 2)  First of this type of product owned  
 3)  Addition to Coleman products  
 4)  Replaced old Coleman product  
 5)  Replaced another brand product  
 6)  Purchase in addition to another brand

- 10 **Do you participate in any of the following activities? (Please check all that apply.)**

- |  |  |
|--|--|
| 1) <input type="checkbox"/> Tent Camping       | 10) <input type="checkbox"/> Barbequing            |
| 2) <input type="checkbox"/> RV Camping         | 11) <input type="checkbox"/> Rock Climbing         |
| 3) <input type="checkbox"/> Hiking/Backpacking | 12) <input type="checkbox"/> Bicycling             |
| 4) <input type="checkbox"/> Fishing            | 13) <input type="checkbox"/> Leisure Walking       |
| 5) <input type="checkbox"/> Boating            | 14) <input type="checkbox"/> Canoeing              |
| 6) <input type="checkbox"/> Going to the Beach | 15) <input type="checkbox"/> Kayaking              |
| 7) <input type="checkbox"/> Tailgating         | 16) <input type="checkbox"/> Entertaining          |
| 8) <input type="checkbox"/> Picnicking         | 17) <input type="checkbox"/> Backyard Entertaining |
| 9) <input type="checkbox"/> Hunting            | 18) <input type="checkbox"/> Attend Auto Racing    |

- 11 **What other brands did you consider?:** \_\_\_\_\_

- 19 **What grill feature influenced the purchase of your Coleman® grill? (Please check all that apply.)**

- |   |   |  |
|---|---|--|
| 1) <input type="checkbox"/> Amount of BTU's for cooking                 | 7) <input type="checkbox"/> Side burner (if applies)                            | 13) <input type="checkbox"/> Size of the grill (available cooking square inches) |
| 2) <input type="checkbox"/> Cart design                                 | 8) <input type="checkbox"/> Steamer/Fryer/Warmer (if applies)                   | 14) <input type="checkbox"/> Integrated storage cabinet                          |
| 3) <input type="checkbox"/> Flame control cooking system                | 9) <input type="checkbox"/> Side table design                                   | 15) <input type="checkbox"/> Price   |
| 4) <input type="checkbox"/> Power burner                                | 10) <input type="checkbox"/> Color of the grill (not including stainless steel) | 16) <input type="checkbox"/> Rotisserie (if applies)                             |
| 5) <input type="checkbox"/> Stainless steel material (if applies)       | 11) <input type="checkbox"/> Warming racks                                      | 17) <input type="checkbox"/> Other   |
| 6) <input type="checkbox"/> Porcelain or stainless steel cooking grates | 12) <input type="checkbox"/> Dependable igniter                                 |  |

- 12 **Date of Your Birth:** \_\_\_\_\_ / \_\_\_\_\_ / \_\_\_\_\_  
Month                  Day                  Year

- 13 **For your primary residence, do you:**  
 1  Own    2  Rent

- 14 **Education: (Check only one.)**

- 1)  High school diploma  
 2)  Some college  
 3)  College degree  
 4)  Some graduate school  
 5)  Graduate degree

- 15 **Marital Status:**

- 1  Single    2  Married

- 16 **Number of people in household:** \_\_\_\_\_

- 17 **Number of kids in household under 18 years of age:** \_\_\_\_\_

- 18 **Which best describes your family income?**

- 1)  Under \$15,000  
 2)  \$15,000 - \$24,999  
 3)  \$25,000 - \$34,999  
 4)  \$35,000 - \$49,999  
 5)  \$50,000 - \$74,999  
 6)  \$75,000 - \$99,999  
 7)  \$100,000 - \$149,999  
 8)  Over \$150,000

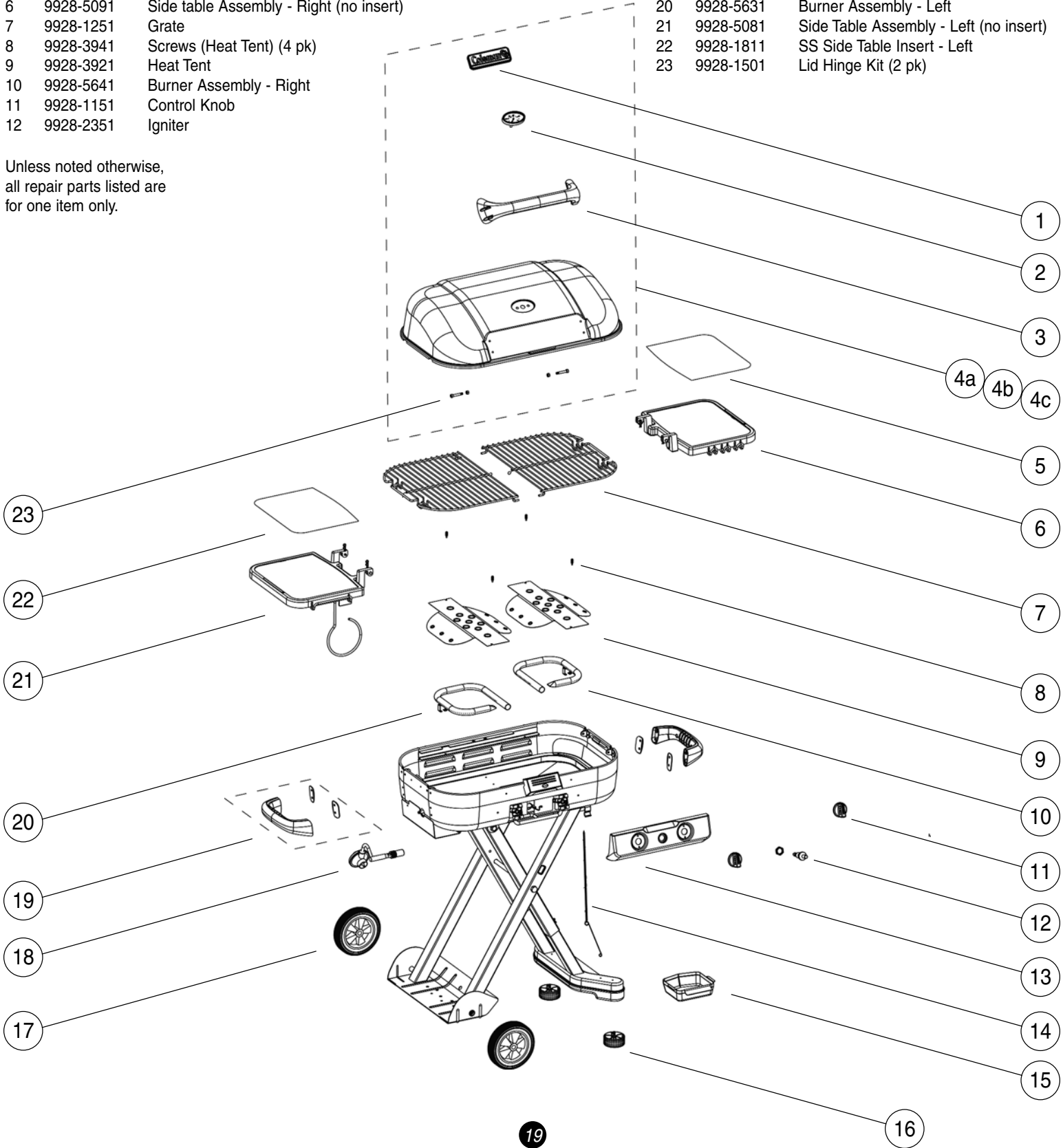
Thank you for filling out this questionnaire. Your answers are important to us. Please check here [ ] if you prefer not to learn more about Coleman® Outdoor Cooking Products or obtain information on new interesting opportunities from other companies.

# Replacement Parts List — 9928 Series

No.	Part Number	Description
1	9928-1951	Logo Plate
2	9928-1581	Thermometer Assembly
3	9928-1291	Lid Handle
4a	9928-5051	Lid Assembly - (1) piece porcelain
4b	9928-5141	Lid Assembly - (3) piece porcelain
4c	9928-5011	Lid Assembly - (3) piece Stainless Steel
5	9928-1821	SS Side Table Insert - Right
6	9928-5091	Side table Assembly - Right (no insert)
7	9928-1251	Grate
8	9928-3941	Screws (Heat Tent) (4 pk)
9	9928-3921	Heat Tent
10	9928-5641	Burner Assembly - Right
11	9928-1151	Control Knob
12	9928-2351	Igniter

No.	Part Number	Description
13	9928-1131	Fascia
14	9928-5561	Match Extension Assembly
15	9928-1241	Grease Tray
16	9928-5651	Threaded Foot Assembly
17	9928-2171	Wheel
18	9928-5251	Regulator Assembly
19	9928-5551	Side Handle Assembly
20	9928-5631	Burner Assembly - Left
21	9928-5081	Side Table Assembly - Left (no insert)
22	9928-1811	SS Side Table Insert - Left
23	9928-1501	Lid Hinge Kit (2 pk)

Unless noted otherwise,  
all repair parts listed are  
for one item only.



## Limited Three Year Warranty

The Coleman Company, Inc. ("Coleman") warrants that for a period of three years from the date of original retail purchase, this product will be free from defects in material and workmanship. Coleman, at its option, will repair or replace this product or any component of the product found to be defective during the warranty period. Replacement will be made with a new or remanufactured product or component. If the product is no longer available, replacement may be made with a similar product of equal or greater value. This is your exclusive warranty.

This warranty is valid for the original retail purchaser from the date of initial retail purchase and is not transferable. Keep the original sales receipt. Proof of purchase is required to obtain warranty performance. Coleman dealers, service centers, or retail stores selling Coleman® products do not have the right to alter, modify or in any way change the terms and conditions of this warranty.

### What This Warranty Does Not Cover

This warranty does not cover normal wear of parts, parts that are not genuine Coleman® parts, or damage resulting from any of the following: negligent use or misuse of the product; use on improper voltage or current; commercial use of the product; use contrary to the operating instructions; disassembly, repair or alteration by anyone other than Coleman or an authorized service center. Further, the warranty does not cover Acts of God, such as fire, flood, hurricanes and tornadoes. Warranty void if damage to product results from the use of a part other than a genuine Coleman® part.

COLEMAN SHALL NOT BE LIABLE FOR DEFECTS THAT ARE CAUSED BY THE USE OF UNAUTHORIZED PARTS OR SERVICE. COLEMAN SHALL NOT BE LIABLE FOR ANY INCIDENTAL OR CONSEQUENTIAL DAMAGES CAUSED BY THE BREACH OF ANY EXPRESS OR IMPLIED WARRANTY OR CONDITIONS. EXCEPT TO THE EXTENT PROHIBITED BY APPLICABLE LAW, ANY IMPLIED WARRANTY OF MERCHANTABILITY OR FITNESS FOR A PARTICULAR PURPOSE IS LIMITED IN DURATION TO THE DURATION OF THE ABOVE WARRANTY OR CONDITIONS. SOME STATES, PROVINCES, OR JURISDICTIONS DO NOT ALLOW THE EXCLUSION OR LIMITATION OF INCIDENTAL OR CONSEQUENTIAL DAMAGES OR LIMITATIONS ON HOW LONG AN IMPLIED WARRANTY LASTS, SO THE ABOVE LIMITATIONS OR EXCLUSION MAY NOT APPLY TO YOU. THIS WARRANTY GIVES YOU SPECIFIC LEGAL RIGHTS, AND YOU MAY ALSO HAVE OTHER RIGHTS THAT VARY FROM STATE TO STATE OR PROVINCE TO PROVINCE.

### How to Obtain Warranty Service

Take the product to an authorized Coleman service center. You can find the nearest authorized Coleman service center by visiting [www.coleman.com](http://www.coleman.com) or calling 1-800-835-3278 or TDD 316-832-8707 in the United States or 1 800 387-6161 in Canada. If a service center is not conveniently located, attach to the product a tag that includes your name, address, daytime telephone number and description of the problem. Include a copy of the original sales receipt. Carefully package the product and send either by **courier** or **insured mail** with shipping and insurance prepaid to:

For products purchased in the United States:

The Coleman Company, Inc.  
3600 North Hydraulic  
Wichita, KS, 67219

For products purchased in Canada:

Sunbeam Corporation (Canada) Limited • DBA Jarden Consumer Solutions  
5975 Falbourne Street  
Mississauga, Ontario  
Canada L5R 3V8

This warranty does not include transportation or shipping costs. If you ship your product, shipping and insurance must be prepaid.

DO NOT RETURN THIS PRODUCT TO THE PLACE OF PURCHASE.

If you have any questions regarding this warranty please call 1-800-835-3278 or TDD 316-832-8707.


### For Warranty, Service and Parts

Locate your model number and serial number on the label found on the grill.



The Coleman Company, Inc. • 3600 North Hydraulic • Wichita, KS 67219 U.S.A.  
1-800-835-3278 • TDD: 316-832-8707

©2006 The Coleman Company, Inc. All rights reserved.

Coleman® and  are registered trademarks of The Coleman Company, Inc.

9928-050 (20061217.1)