

7. Parts catalog

How to use this parts catalog

The following legend is used in the parts catalog:

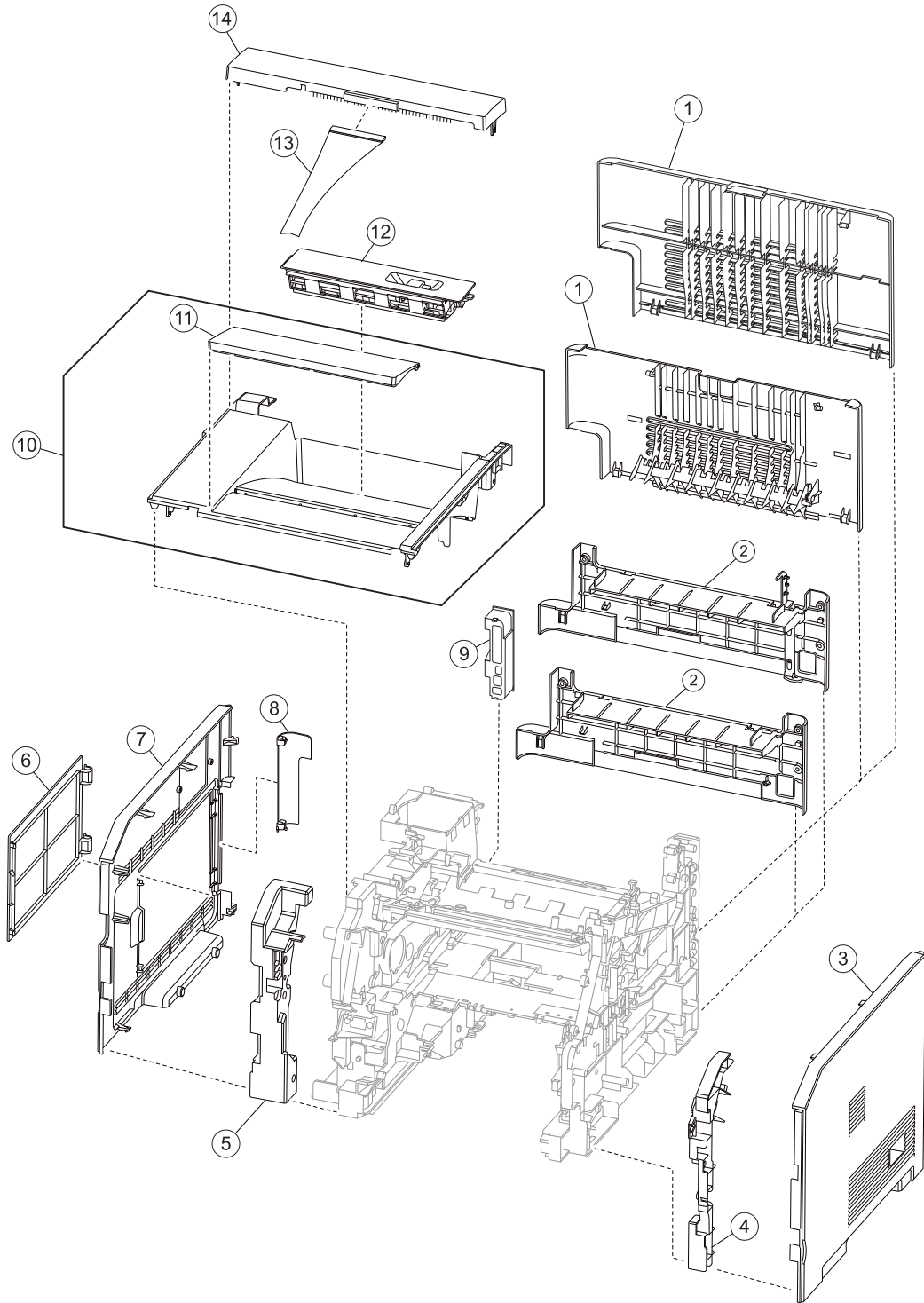
Asm-Index	Part number	Units/mach - OR - Units/option	Units/ kit or pkg	Description
-----------	-------------	--------------------------------------	-------------------------	-------------

- **Asm-index:** identifies the assembly and the item in the diagram. For example, 3-1 indicates Assembly 3 and the item number 1.
- **Part number:** identifies the unique number that identifies this FRU.
- **Units/mach:** refers to the number of units actually used in the base machine or product.
- **Units/option:** refers to the number of units used in the option and does not include the base machine.
- **Units/kit or Pkg:** refers to the number of units packaged together and identified by the part number.
- **NS:** (Not shown) in the Asm-Index column indicates that the part is procurable but is not pictured in the illustration.
- **PP:** (Parts Packet) in the parts description column indicates the part is contained in a parts packet.

Model information used in the parts catalog.

Machine type	Model	Configuration
4062-01A	T650n	Network
4062-21A	T652n	Network
4062-23A	T652dn	Network
4062-41A	T654n	Network
4062-43A	T654dn	Network
4062-630	T656dne	Network

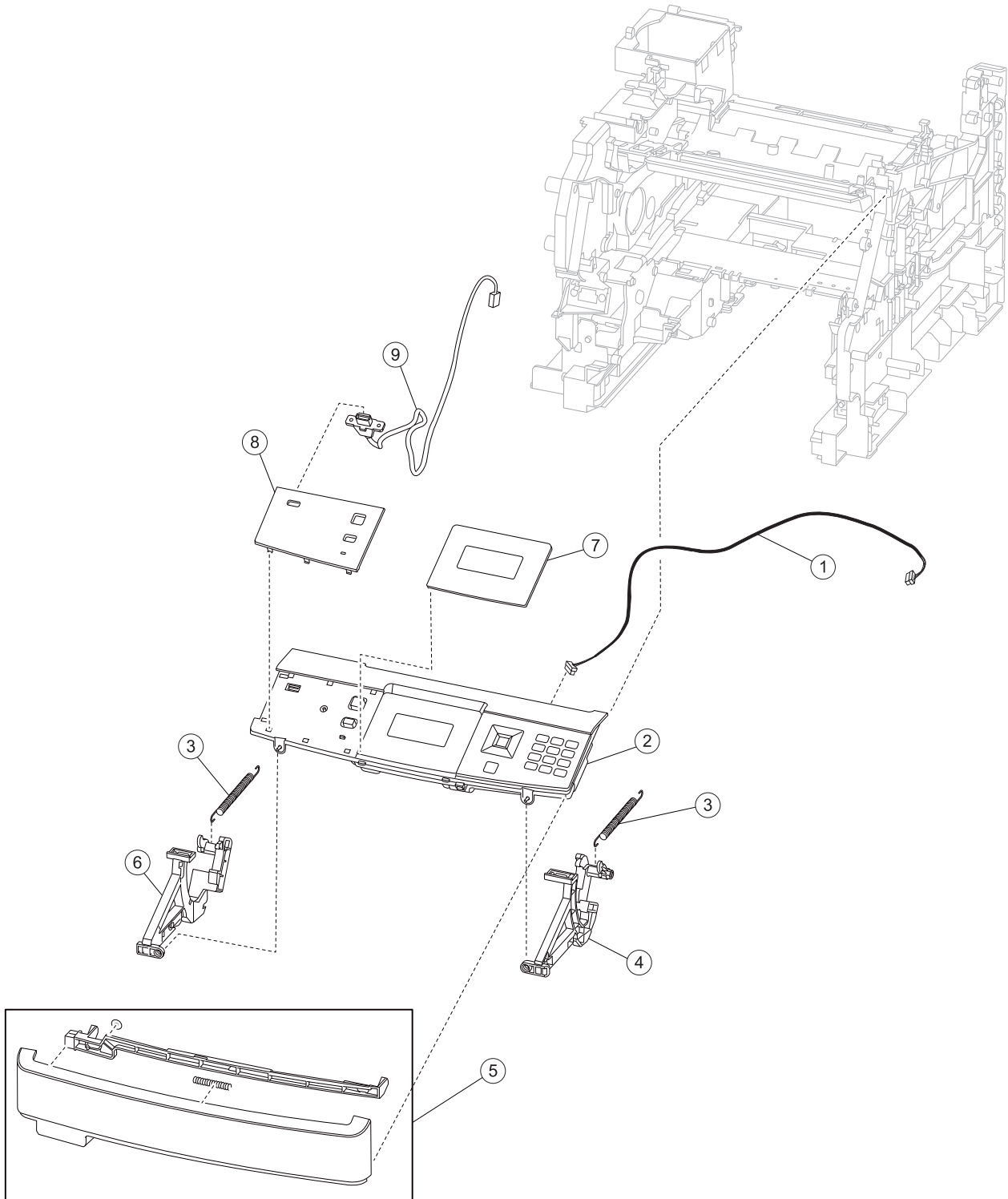
Assembly 1: Covers



Assembly 1: Covers

Asm-Index	Part number	Units/mach	Units/kit or pkg	Description
1	40X4332	1	1	Door assembly, rear (T650)
1	40X4329	1	1	Door assembly, rear (T652)
1	40X4331	1	1	Door assembly, rear (T654 and T656)
2	40X4334	1	1	Cover assembly, rear lower (T650)
2	40X4335	1	1	Cover assembly, rear lower (T652, T654, and T656)
3	40X4338	1	1	Side cover, right (T650)
3	40X1862	1	1	Side cover, right (T652)
3	40X4337	1	1	Side cover, right (T654)
3	40X7033	1	1	Side cover, right (T656)
4	40X4336	1	1	Inner cover, right (T650, T652, and T654)
5	40X4322	1	1	Inner cover, left (T650, T652, and T654)
6	40X4339	1	1	Access door (T650, T652, and T654)
6	40X7034	1	1	Access cover (T656)
7	40X4324	1	1	Side cover, left (T650)
7	40X4325	1	1	Side cover, left (T652)
7	40X4323	1	1	Side cover, left (T654)
7	40X7032	1	1	Side cover, left (T656)
8	40X4330	1	1	Connection access cover, rear (T650)
8	40X4314	1	1	Connection access cover, rear (T652, T654, and T656)
9	40X4630	1	1	Connection bezel assembly, rear (T650)
9	40X4629	1	1	Connection bezel assembly, rear (T652, T654, and T656)
10	40X4320	1	1	Laser cover assembly, 250 sheet output (T650 and T652)
10	40X4321	1	1	Laser cover assembly, 500 sheet output (T654)
10	40X7031	1	1	Laser cover assembly, 500 sheet output (T656)
11	40X4311	1	1	Media support (T650, T652)
11	40X4697	1	1	Media support (T654)
11	40X1973	1	1	Media support (T656)
12	40X4417	1	1	Fuser wiper cover assembly
13	40X4470	1	2	Output bail
14	40X4326	1	1	Output cover assembly

Assembly 2: T650, T652, and T654 Operator panel



Assembly 2: T650, T652, and T654 Operator panel

Asm-Index	Part number	Units/mach	Units/kit or pkg	Description
1	40X4366	1	1	Operator panel cable assembly (T650, T652, and T654)
2	40X4462	1	1	Operator panel door assembly (T650, T652, and T654)
3	40X4380	2	1	Counterbalance spring (T650, T652, and T654)
4	40X4397	1	1	Operator panel hinge assembly, right (T650, T652, and T654)
5	40X4616	1	1	Operator panel latch assembly (T650, T652, and T654)
6	40X4396	1	1	Operator panel hinge assembly, left (T650, T652, and T654)
7	40X4415	1	1	LCD screen bezel (T650n)
7	40X4494	1	1	LCD screen bezel (T652n)
7	40X4471	1	1	LCD screen bezel (T652dn)
7	40X4628	1	1	LCD screen bezel (T654n)
7	40X4627	1	1	LCD screen bezel (T654dn)
8	40X5746	1	1	Operator panel bezel, left
8	40X5729	1	1	Operator panel bezel, left (NON USB)
9	40X4377	1	1	USB cable assembly (T650, T652, and T654)

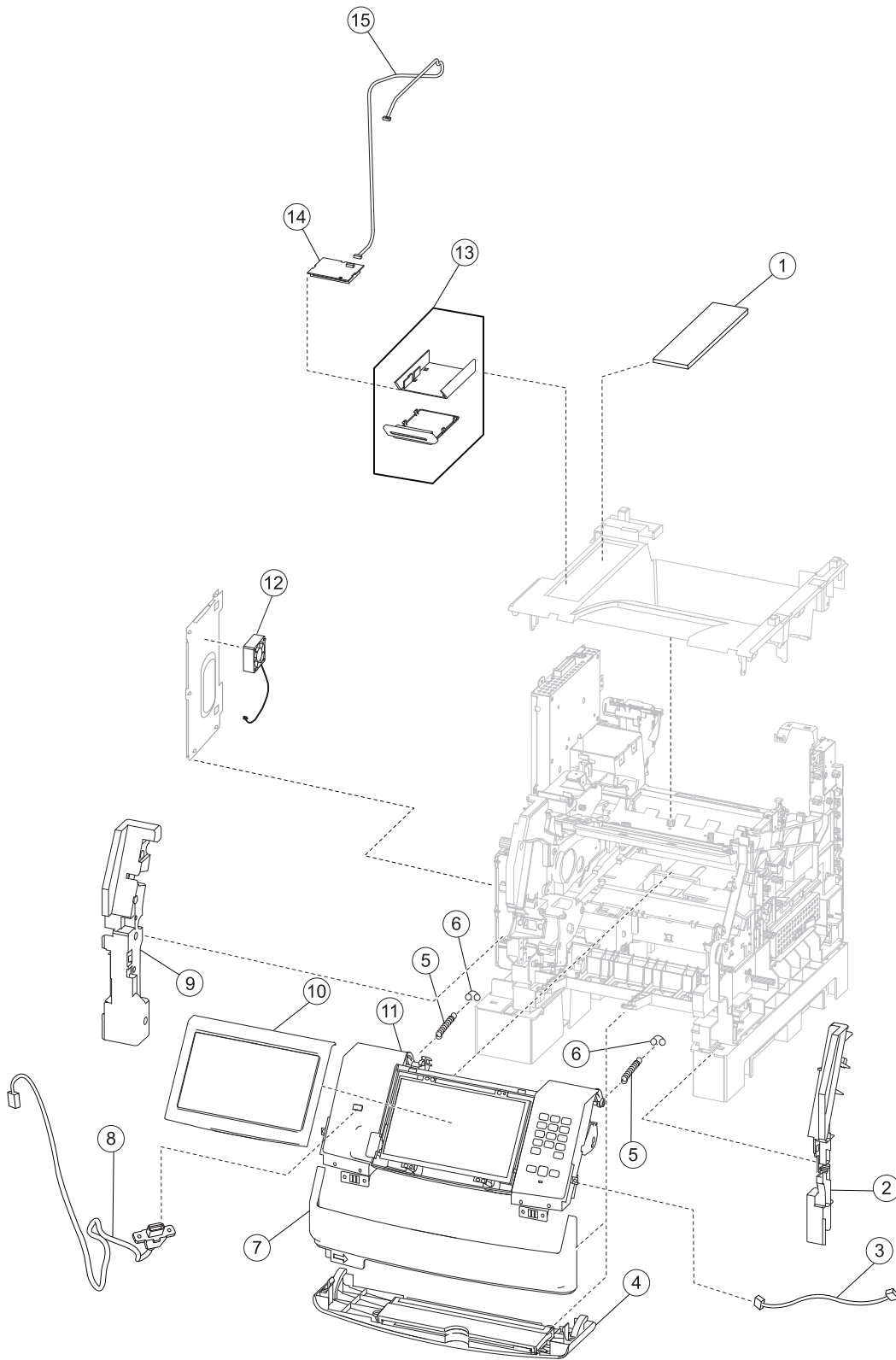
Warning: When replacing any of the following components:

- Operator panel assembly
- System card assembly

Only replace one component at a time. Replace the required component and perform a POR before replacing a second component listed above. If this procedure is not followed, the printer will be rendered inoperable. Never replace two or more of the components listed above without a POR after installing each one or the printer will be rendered inoperable.

Never install and remove components listed above as a method of troubleshooting components. Once a component has been installed in a machine, it can not be used in another machine. It must be returned to the manufacturer.

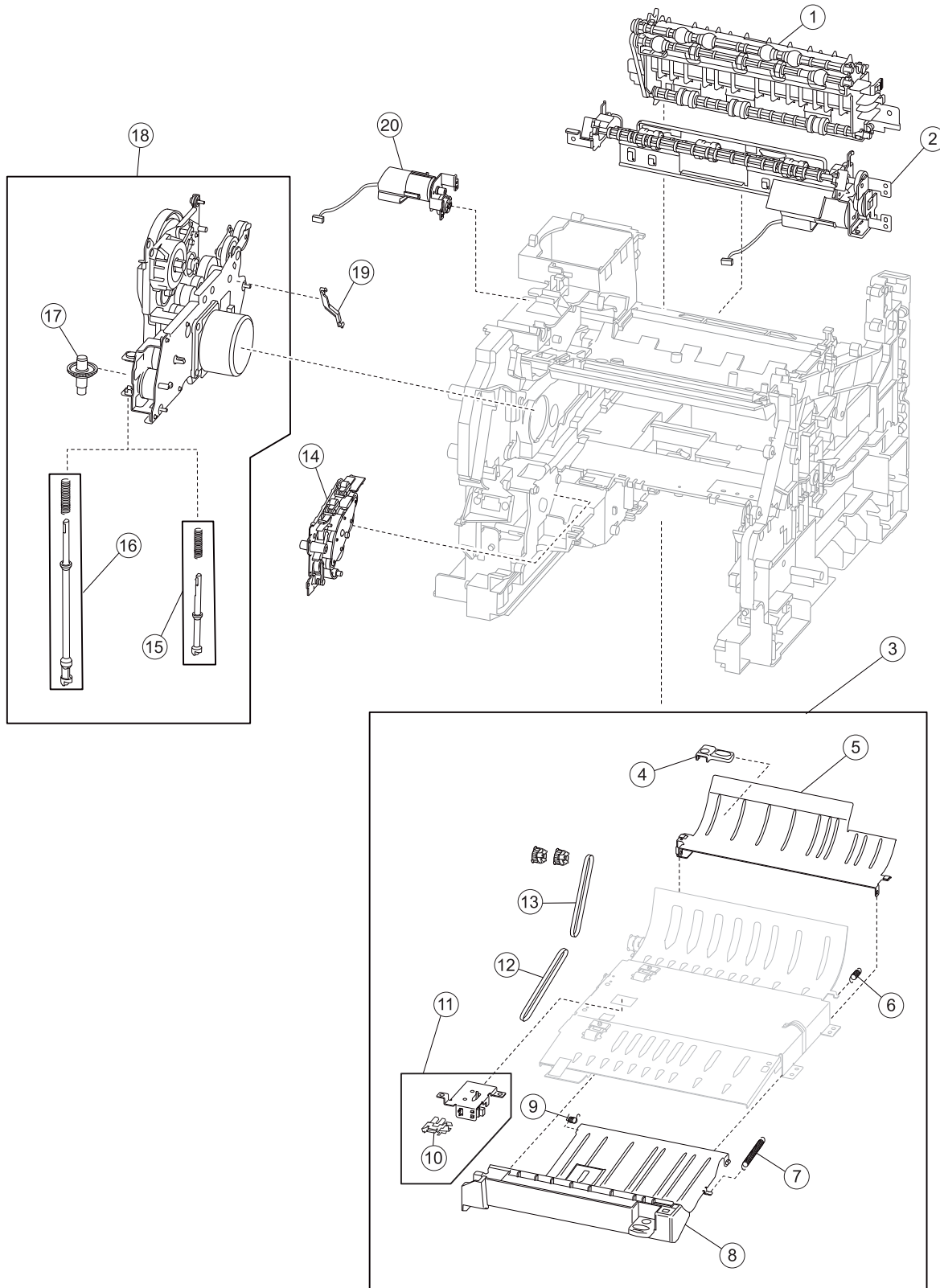
Assembly 3: T656dne Operator panel, MPF and smart card



Assembly 3: T656 Operator panel, MPF and smart card

Asm-Index	Part number	Units/mach	Units/kit or pkg	Description
1	40X7039	1	1	Card reader cable assembly (T656)
2	40X1972	1	1	Inner cover, right (T656)
3	40X2045	1	1	Operator panel cable assembly (T656)
4	40X2089	1	1	MPF tray door assembly (T656)
5	40X2077	2	1	Counterbalance spring (T656)
6	40X2078	2	1	Spring connector (T656)
7	40X4631	1	1	Operator panel door latch assembly (T656)
8	40X2051	1	1	USB cable assembly (T656)
9	40X1971	1	1	Inner cover, left (T656)
10	40X7038	1	1	Operator panel bezel (T656)
11	40X1385	1	1	Operator panel door assembly (T656)
12	40X7035	1	1	Hard drive cooling fan (T656)
13	40X7042	1	1	Card reader mounting bracket (T656)
14	40X4602	1	1	Card reader assembly (3121 contact) (T656)
14	40X4603	1	1	Card reader assembly (5121 contact/RFID) (T656)
14	40X4604	1	1	Card reader assembly (5125 contact/HID) (T656)
15	40X7037	1	1	Card reader cable assembly (T656)

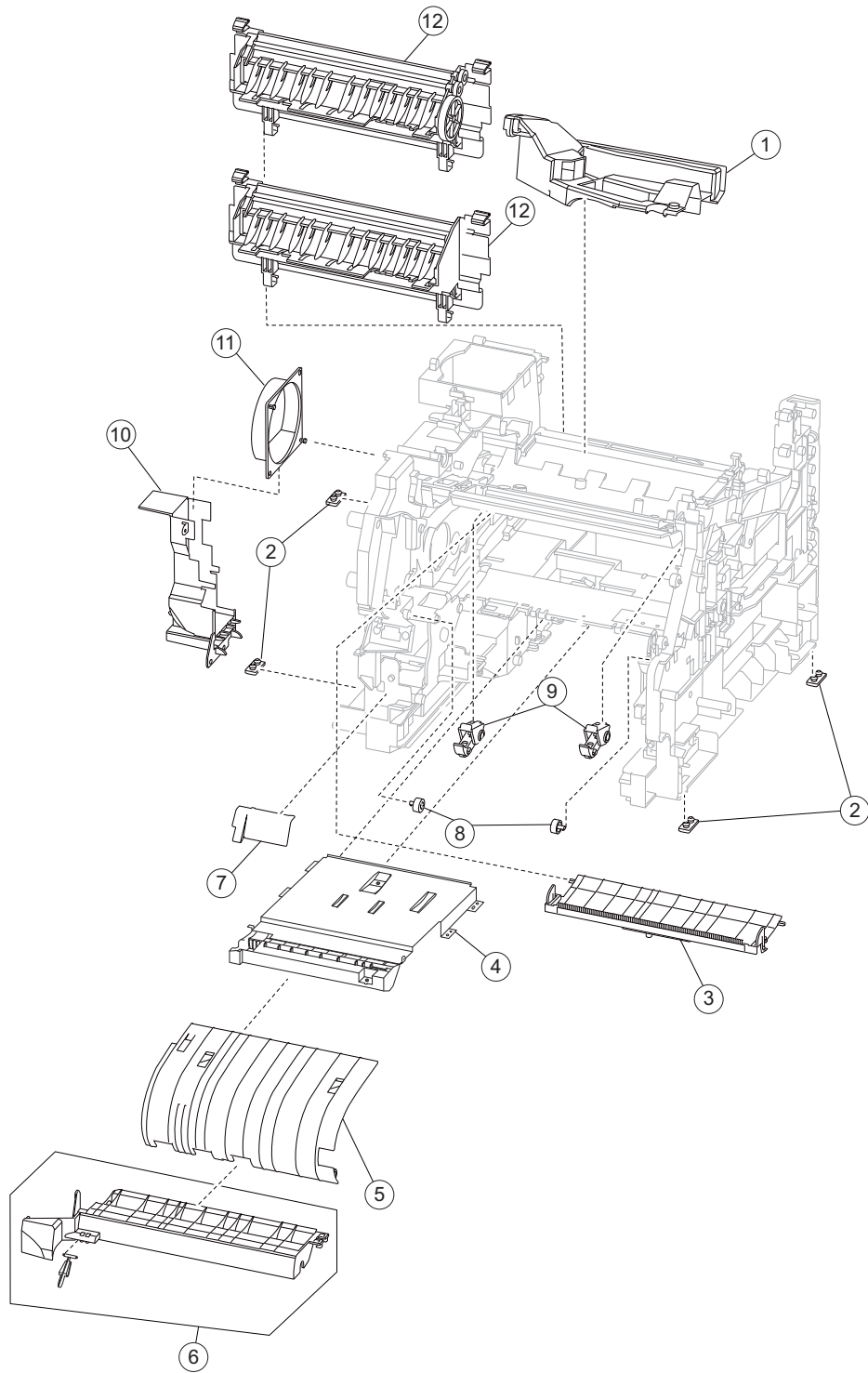
Assembly 4: Drive motor assemblies and duplex



Assembly 4: Drive motor assemblies and duplex

Asm-Index	Part number	Units/mach	Units/kit or pkg	Description
1	40X4465	1	1	Redrive assembly (T650)
1	40X4466	1	1	Redrive assembly (T652)
1	40X4467	1	1	Redrive assembly (T654 and T656)
2	40X4344	1	1	Duplex drive motor assembly (T652, T654, and T656)
3	40X4346	1	5	Duplex assembly with 2 belts and 2 pulleys (T652, T654, and T656)
4	40X4351	1	1	Duplex guide handle (T652, T654, and T656)
5	40X4352	1	1	Duplex guide, rear (T652, T654, and T656)
6	40X4353	1	1	Duplex guide spring, rear (T652, T654, and T656)
7	40X4349	1	1	Duplex guide spring, right (T652, T654, and T656)
8	40X4348	1	1	Duplex guide assembly, front (T652, T654, and T656)
9	40X5551	1	1	Duplex guide spring, left (T652, T654, and T656)
10	40X4369	1	1	Sensor (duplex input) (T652, T654, and T656)
11	40X4345	1	1	Duplex (input) sensor assembly (T652, T654, and T656)
12	40X4350	1	1	Duplex drive belt, lower (T652, T654, and T656)
13	40X4354	1	1	Duplex drive belt, upper (T652, T654, and T656)
14	40X4302	1	3	Aligner assembly with ground strap and adj. screw (T650)
14	40X4303	1	3	Aligner assembly with ground strap and adj. screw (T652, T654, and T656)
15	40X1863	1	2	Option drive shaft with spring (T650)
16	40X4473	1	2	Option drive shaft with spring (T652, T654, and T656)
17	99A0954	1	1	Bevel gear with grease packet and washer <ul style="list-style-type: none"> • Bevel gear (1) • Instruction sheet (1) • Grease packet (1)
18	40X5749	1	1	Main drive motor assembly with option drive shaft
19	40X4386	1	1	Fuser drive release linkage
20	40X4343	1	1	Redrive motor assembly (T652, T654, and T656)

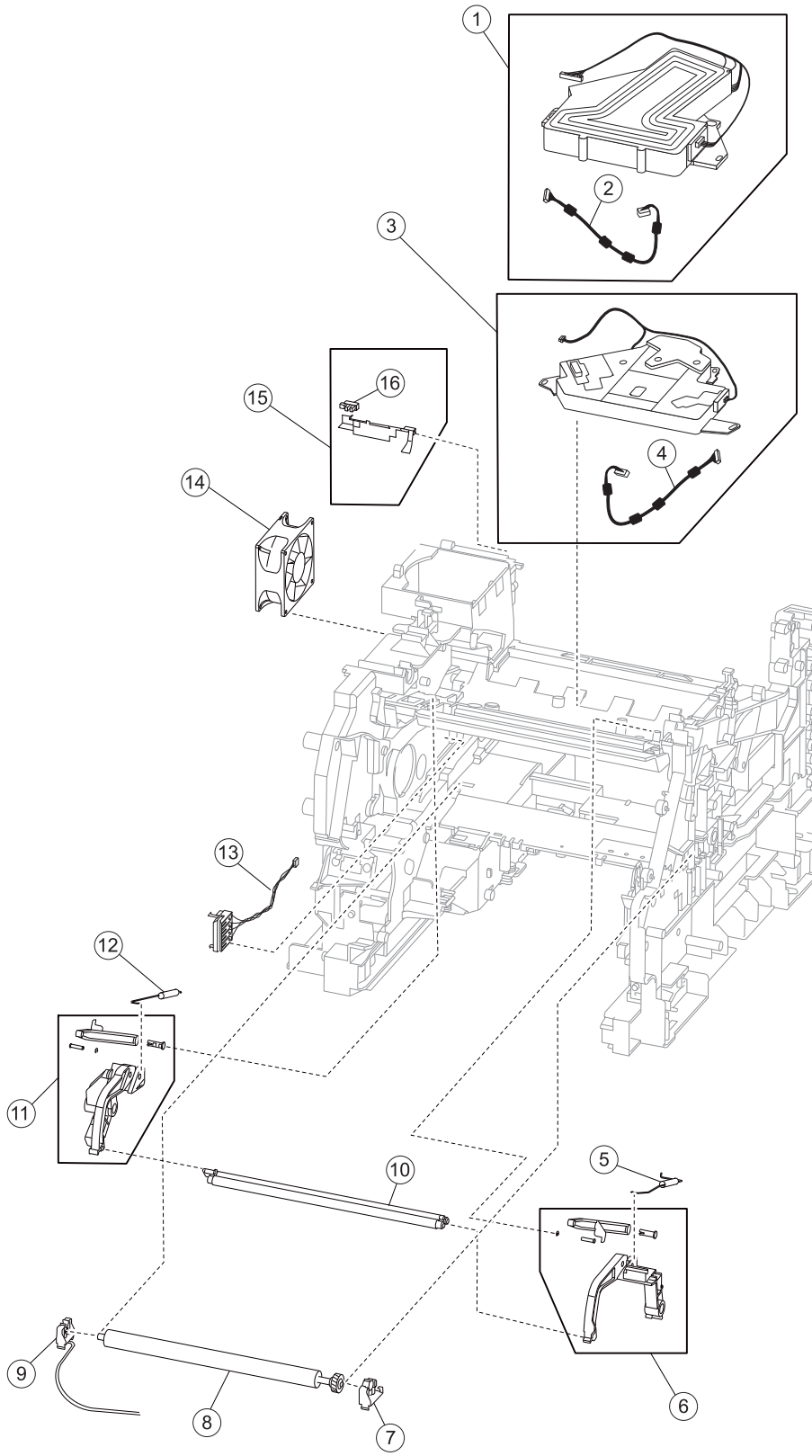
Assembly 5: Media path and ducts



Assembly 5: Media path and ducts

Asm-Index	Part number	Units/mach	Units/kit or pkg	Description
1	40X4384	1	1	EP cooling fan duct
2	40X4390	4	1	Machine pad
3	40X1869	1	1	Transfer deflector with static brush
4	40X1889	1	1	Duplex deletion assembly (T652, T654)
5	40X4387	1	1	Inner deflector (T650)
5	40X4388	1	1	Inner deflector (T652, T654, and T656)
6	40X1900	1	1	Media turn guide with actuator
7	40X4385	1	1	Envelope feeder interface cover
8	40X4406	2	1	Print cartridge support roller
9	40X1868	2	1	Print cartridge clamp assembly
10	40X4389	1	1	LVPS cooling duct
11	40X4391	1	1	Main cooling duct (T650)
11	40X4392	1	1	Main cooling duct (T652, T654, and T656)
12	40X4319	1	1	Fuser access door assembly (T650)
12	40X4318	1	1	Fuser access door assembly (T652, T654, and T656)

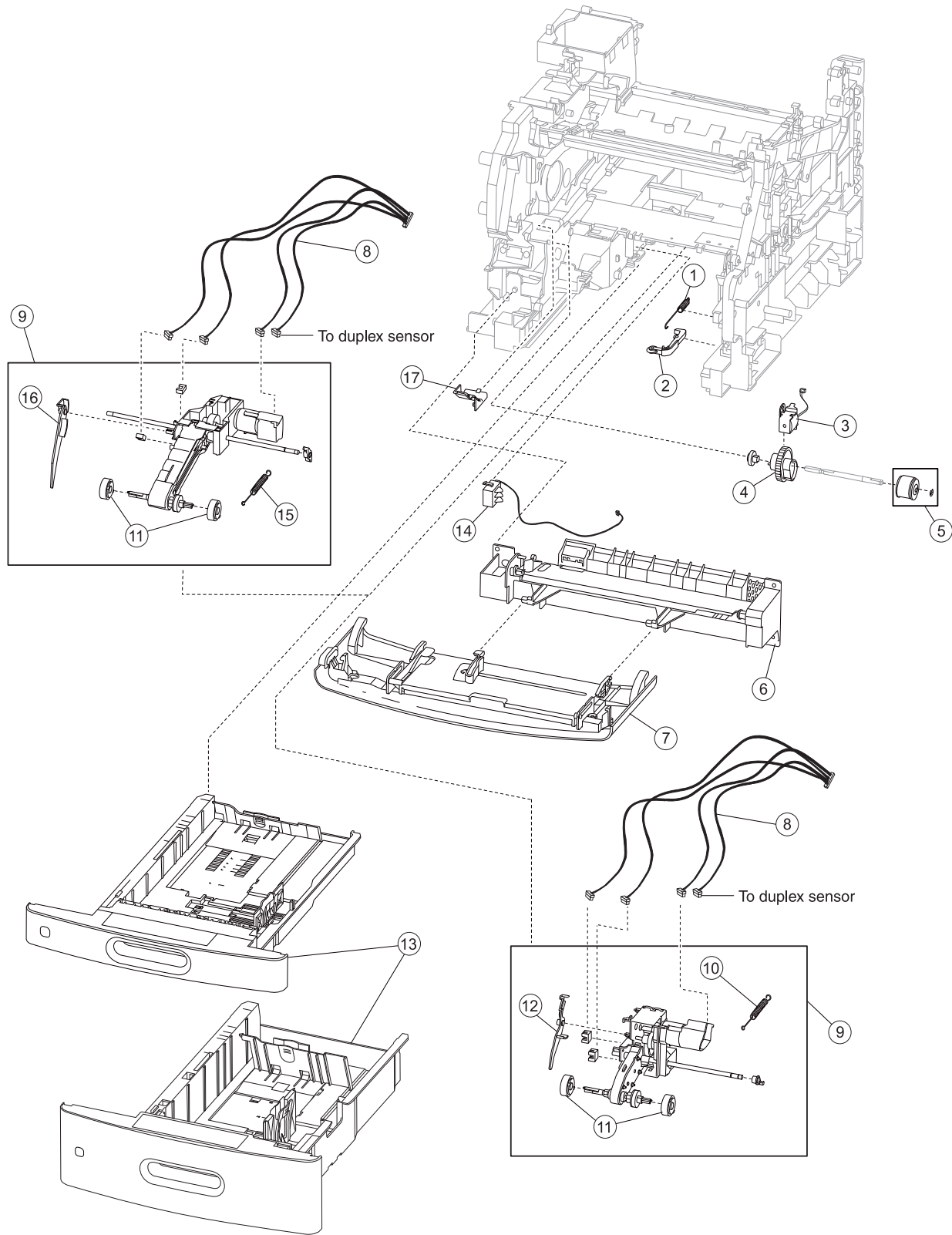
Assembly 6: Printhead, charge, and transfer



Assembly 6: Printhead, charge, and transfer

Asm-Index	Part number	Units/mach	Units/kit or pkg	Description
1	40X4464	1	2	Printhead with cable assembly (T652 and T654)
1	40X7040	1	1	Printhead with cable assembly (T656)
2	40X1865	1	1	Printhead cable (T652, T654, and T656)
3	40X4463	1	2	Printhead with cable assembly (T650)
4	40X4367	1	1	Printhead cable assembly (T650)
5	40X4317	1	1	Charge roll link spring, right
6	40X1893	1	4	Charge roll arm assembly with cable, right
7	40X1888	1	2	Transfer roll bracket assembly, right
8	40X1886	1	1	Transfer roll assembly with tool
9	40X1887	1	2	Transfer roll bracket with cable assembly, left
10	40X5852	1	1	Charge roll assembly with tool
11	40X1892	1	4	Charge roll arm assembly, left
12	40X4316	1	1	Charge roll link spring, left
13	40X1864	1	1	Print cartridge ID connector assembly
14	40X4363	1	1	Main cooling fan (T650)
14	40X4364	1	1	Main cooling fan (T652, T654, and T656)
15	40X4372	1	1	Sensor (standard bin exit) actuator assembly
16	40X4369	1	1	Sensor (standard bin exit)

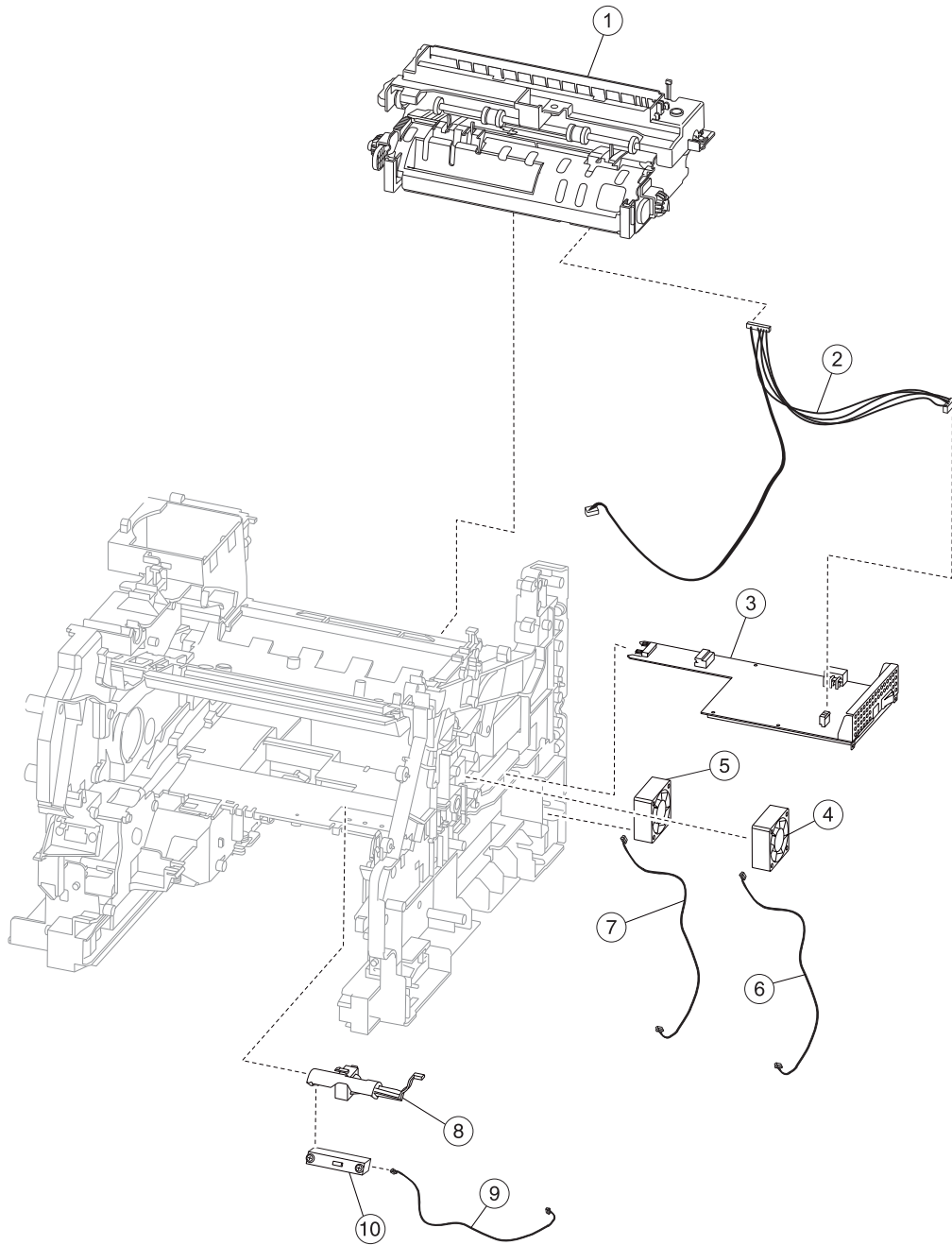
Assembly 7: Pick arm assembly, trays, and MPF



Assembly 7: Pick arm assembly, trays, and MPF

Asm-Index	Part number	Units/mach	Units/kit or pkg	Description
1	40X4394	1	1	Tray catch spring
2	40X4395	1	1	Tray roller catch assembly
3	40X4365	1	1	MPF pick solenoid assembly
4	40X4457	1	1	MPF cam gear
5	40X1883	4	1	MPF pick roll assembly with flanges and clip
6	40X4458	1	1	MPF lift plate assembly (T650)
6	40X4459	1	1	MPF lift plate assembly (T652, T654, and T656)
7	40X4460	1	1	MPF tray door assembly (T650)
7	40X4461	1	1	MPF tray door assembly (T652)
7	40X1884	1	1	MPF tray door assembly (T654)
8	40X4313	1	1	Pick arm sensor cable assembly
9	40X4304	1	1	Pick arm assembly with spring, 250 sheet (T650)
9	40X4305	1	1	Pick arm assembly with spring, 500 sheet (T652, T654, and T656)
10	40X4306	1	1	Pick arm spring (T650)
11	40X4308	1	2	Pick roll assembly (2)
12	40X4309	1	1	250 Sheet media out actuator (T650)
13	40X4468	1	1	Media tray assembly, 250 sheet
13	40X4469	1	1	Media tray assembly, 550 sheet
14	40X4472	1	1	Switch (media size) assembly
15	40X4307	1	1	Pick arm spring (T652, T654, and T656)
16	40X4310	1	1	550 Sheet media out actuator (T652, T654, and T656)
17	40X1876	1	1	MPF gear shield

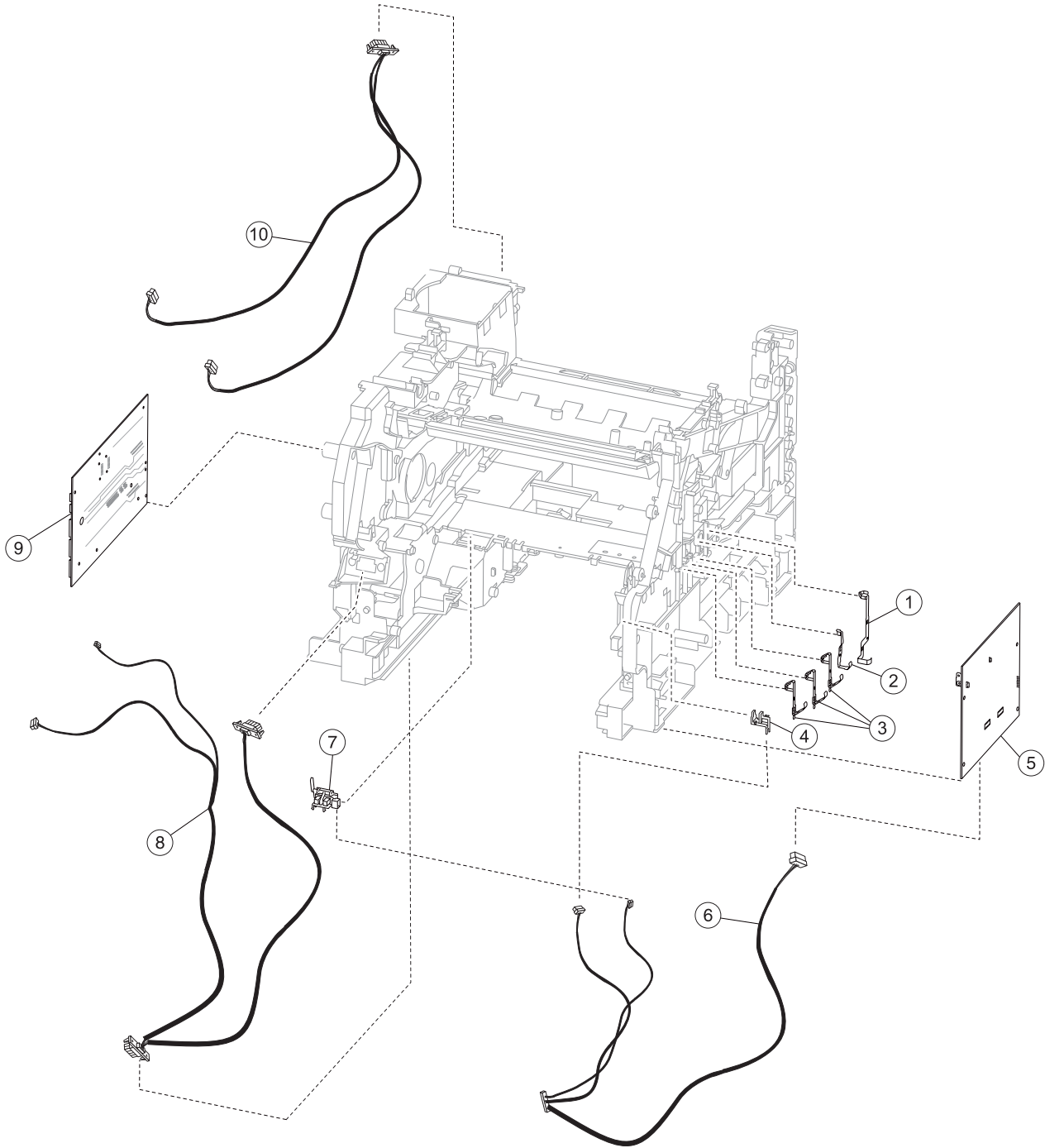
Assembly 8: LVPS, fuser and electrical cables 1



Assembly 8: LVPS, fuser and electrical cables 1

Asm-Index	Part number	Units/mach	Units/kit or pkg	Description
1	40X1870	1	1	100V type 1 fuser assembly
1	40X4418	1	1	110V type 1 fuser assembly
1	40X1871	1	1	220V type 1 fuser assembly
1	40X5853	1	1	100V type 2 fuser assembly
1	40X5854	1	1	110V type 2 fuser assembly
1	40X5855	1	1	220V type 2 fuser assembly
2	40X4419	1	1	Fuser interface cable assembly
3	40X4355	1	1	LVPS card assembly
4	40X4359	1	1	Print cartridge cooling fan
5	40X4356	1	1	Duplex cooling fan
6	40X4360	1	1	Print cartridge cooling fan cable assembly
7	40X4357	1	1	Duplex cooling fan cable assembly
8	40X1866	1	1	Sensor shield assembly
9	40X4379	1	1	Toner density sensor cable assembly
10	40X4378	1	1	Sensor (toner density)

Assembly 9: HVPS, system card, and electrical cables 2



Assembly 9: HVPS, system card, and electrical cables 2

Asm-Index	Part number	Units/mach	Units/kit or pkg	Description
1	40X4383	1	1	Cleaning blade contact
2	40X4381	1	1	Drum grounding contact
3	40X4382	1	1	Print cartridge HV contact
4	40X4370	1	1	Sensor (toner empty)
5	40X4362	1	1	HVPS card assembly
6	40X4361	1	1	HVPS / sensor cable assembly
7	40X4368	1	1	Sensor (input)
8	40X4358	1	1	Envelope / input option tray cable assembly
9	40X5911	1	1	System card assembly (T654)
9	40X7036	1	1	System card assembly (T656)
9	40X4375	1	1	System card assembly (T650)
9	40X4474	1	1	System card assembly (T652)
10	40X4376	1	1	Output option interface cable assembly

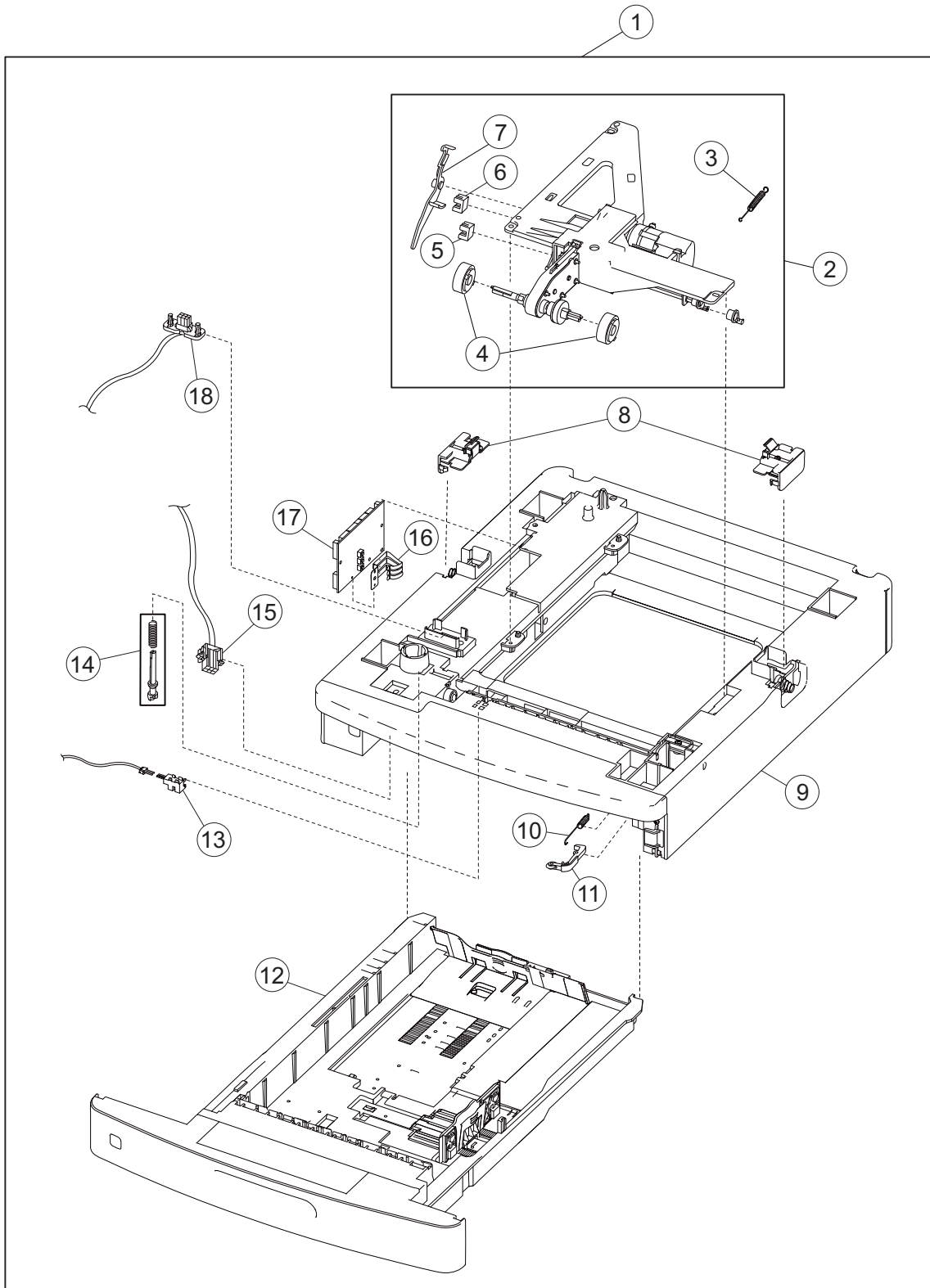
Warning: When replacing any of the following components:

- Operator panel assembly
- System card assembly

Only replace one component at a time. Replace the required component and perform a POR before replacing a second component listed above. If this procedure is not followed, the printer will be rendered inoperable. Never replace two or more of the components listed above without a POR after installing each one or the printer will be rendered inoperable.

Never install and remove components listed above as a method of troubleshooting components. Once a component has been installed in a machine, it can not be used in another machine. It must be returned to the manufacturer.

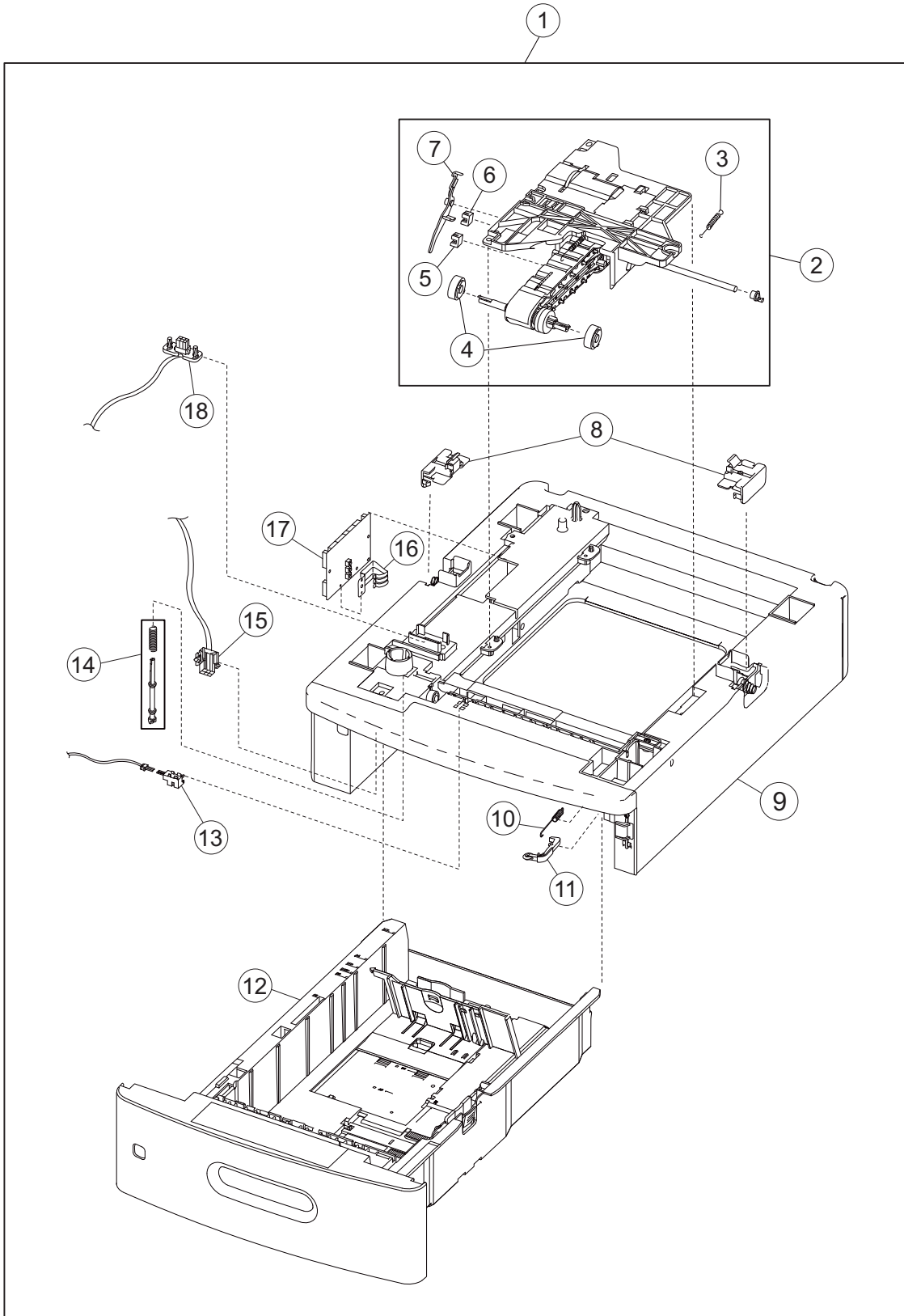
Assembly 10: 250 Sheet option tray assembly



Assembly 10: 250 Sheet option tray assembly

Asm-Index	Part number	Units/mach	Units/kit or pkg	Description
1	40X4569	1	1	Complete 250 sheet option tray assembly
2	40X3447	1	1	250 Sheet pick arm bracket assembly
3	40X3448	1	1	250 Sheet bellcrank recoil spring
4	40X4308	2	1	Pick roll assembly (2)
5	40X4369	1	1	Sensor (media low)
6	40X4369	1	1	Sensor (media empty)
7	40X4309	1	1	250 Sheet media out actuator
8	40X4570	1	1	Anti-tip latch assembly
9	40X3453	1	1	250 Sheet option drawer assembly
10	40X3822	1	1	Media tray catch spring
11	40X4395	1	1	Media tray roller catch assembly
12	40X3449	1	1	Media tray assembly, 250 sheet
13	40X4575	1	1	Sensor (pass through) with cable
14	40X1863	1	1	250 Option drive shaft with spring
15	40X4572	1	1	Lower interface cable assembly
16	40X3854	1	1	Media size actuator
17	40X4574	1	1	250 Sheet controller card assembly
18	40X4571	1	1	Upper interface cable assembly

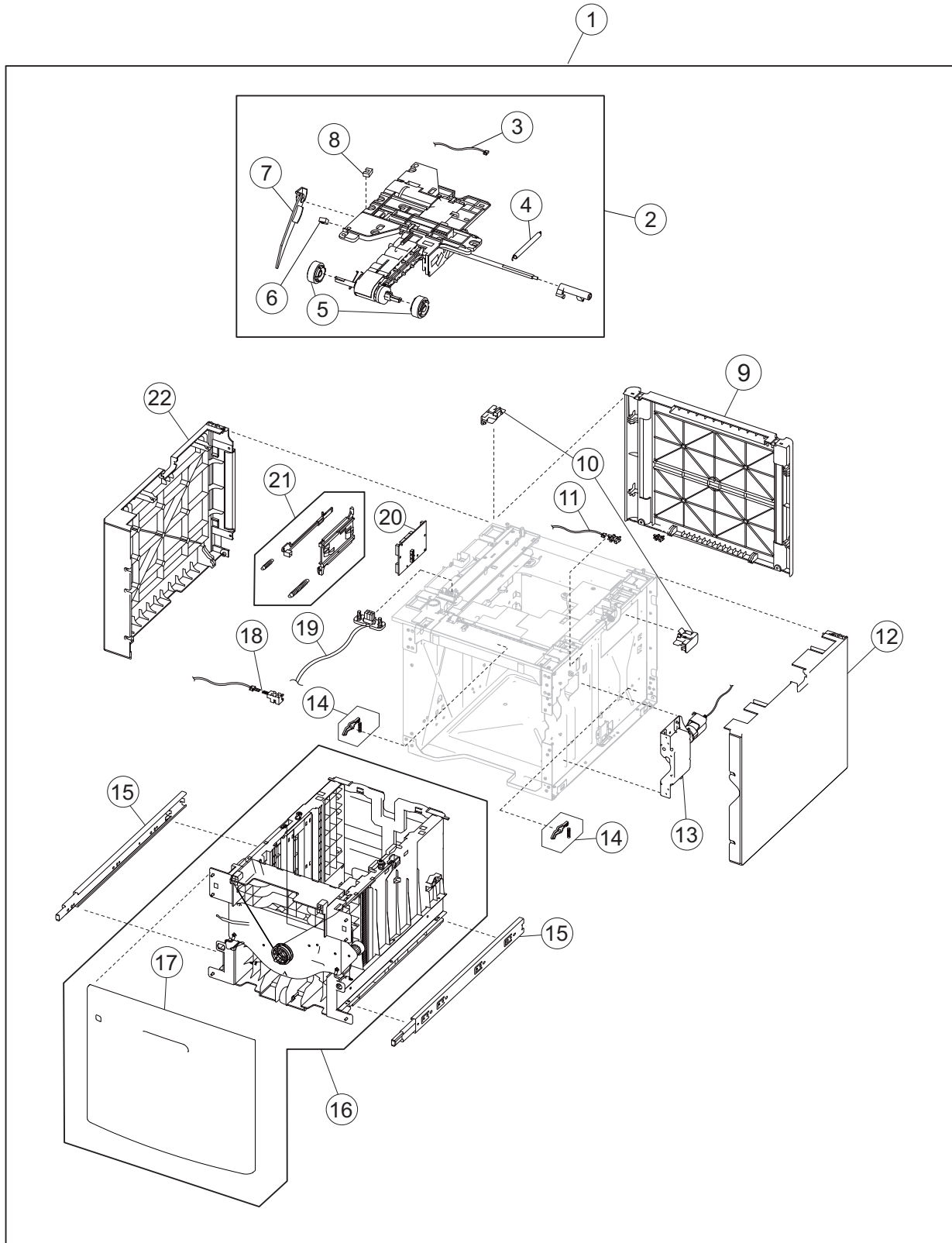
Assembly 11: 550 Sheet option tray assembly



Assembly 11: 550 Sheet option tray assembly

Asm-Index	Part number	Units/mach	Units/kit or pkg	Description
1	40X4576	1	1	Complete 550 sheet option tray assembly
2	40X3454	1	1	550 Sheet pick arm bracket assembly
3	40X4307	1	1	550 Sheet bellcrank recoil spring
4	40X4308	1	2	Pick roll assembly (2)
5	40X4369	1	1	Sensor (media low)
6	40X4369	1	1	Sensor (media empty)
7	40X4310	1	1	550 Sheet media out actuator
8	40X4570	2	2	Anti-tip latch assembly
9	40X3957	1	1	550 Sheet option drawer assembly
10	40X3822	1	1	Media tray catch spring
11	40X4395	1	1	Media tray roller catch assembly
12	40X4469	1	1	Media tray assembly, 550 sheet
13	40X4575	1	1	Sensor (pass through) with cable
14	40X4473	1	1	550 Option drive shaft with spring
15	40X4572	1	1	Lower interface cable assembly
16	40X3854	1	1	Media size actuator
17	40X4578	1	1	550 Sheet controller card assembly
18	40X4571	1	1	Upper interface cable assembly

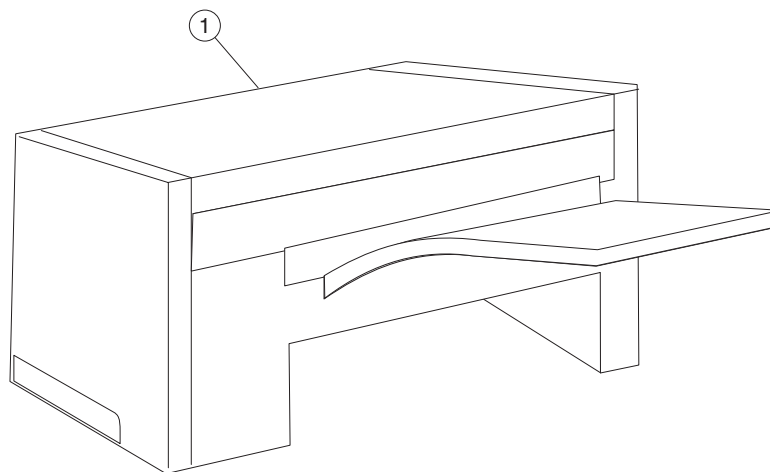
Assembly 12: HCIT Sheet option tray assembly



Assembly 12: HCIT Sheet option tray assembly

Asm-Index	Part number	Units/mach	Units/kit or pkg	Description
1	40X4579	1	1	Complete HCIT option tray assembly
2	40X4590	1	2	HCIT pick arm bracket assembly
3	40X4595	1	1	Pick arm sensor cable assembly
4	40X4591	1	1	HCIT bellcrank recoil spring
5	40X4308	2	2	Pick roll assembly (2)
6	40X4369	2	1	Sensor (media low)
7	40X4310	1	1	550 Sheet media out actuator
8	40X4369	2	1	Sensor (media empty)
9	40X4581	1	1	HCIT cover, rear
10	40X4570	1	1	Anti-tip latch assembly
11	40X4588	1	1	Sensor (HCIT tray raised HP) with cable assembly
12	40X4582	1	1	HCIT cover, right
13	40X4586	1	1	HCIT tray lift drive motor assembly
14	40X4585	1	2	HCIT tray closed latch with spring
15	40X4593	2	2	HCIT drawer slide assembly
16	40X4580	1	1	HCIT media tray assembly
17	40X4584	1	1	HCIT tray cover, front
19	40X4594	1	1	HCIT interface cable assembly
18	40X4589	1	2	Sensor (HCIT pass through) with cable
20	40X4592	1	1	HCIT controller card assembly
21	40X4587	1	4	HCIT media size actuator assembly
22	40X4583	1	1	HCIT cover, left

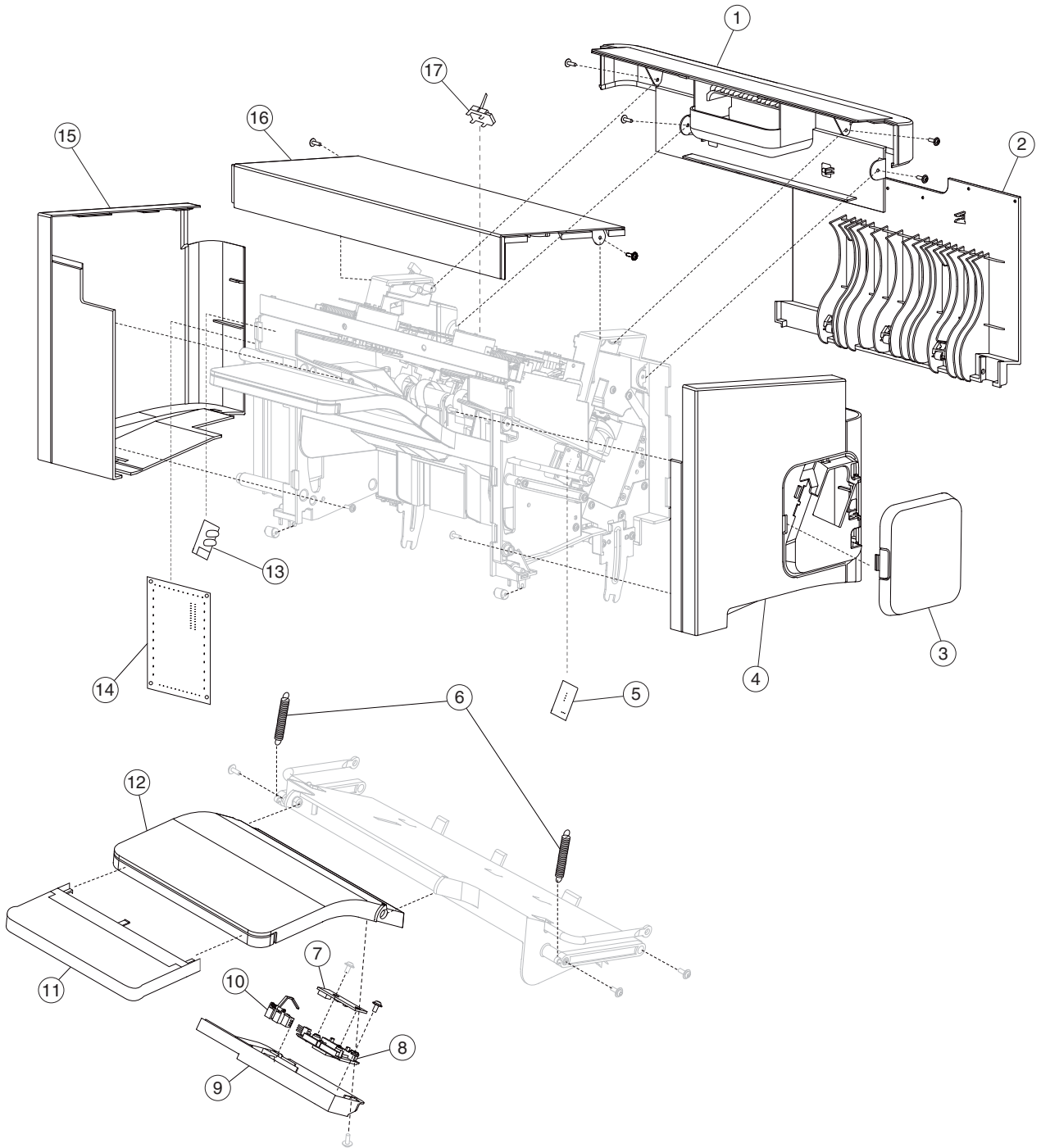
Assembly 13: SFP stapler assembly #1



Assembly 13: SFP stapler assembly # 1

Asm-Index	Part number	Units/mach	Units/kit or pkg	Description
1	40X5547	1	1	SFP stapler assembly (comes completely assembled)

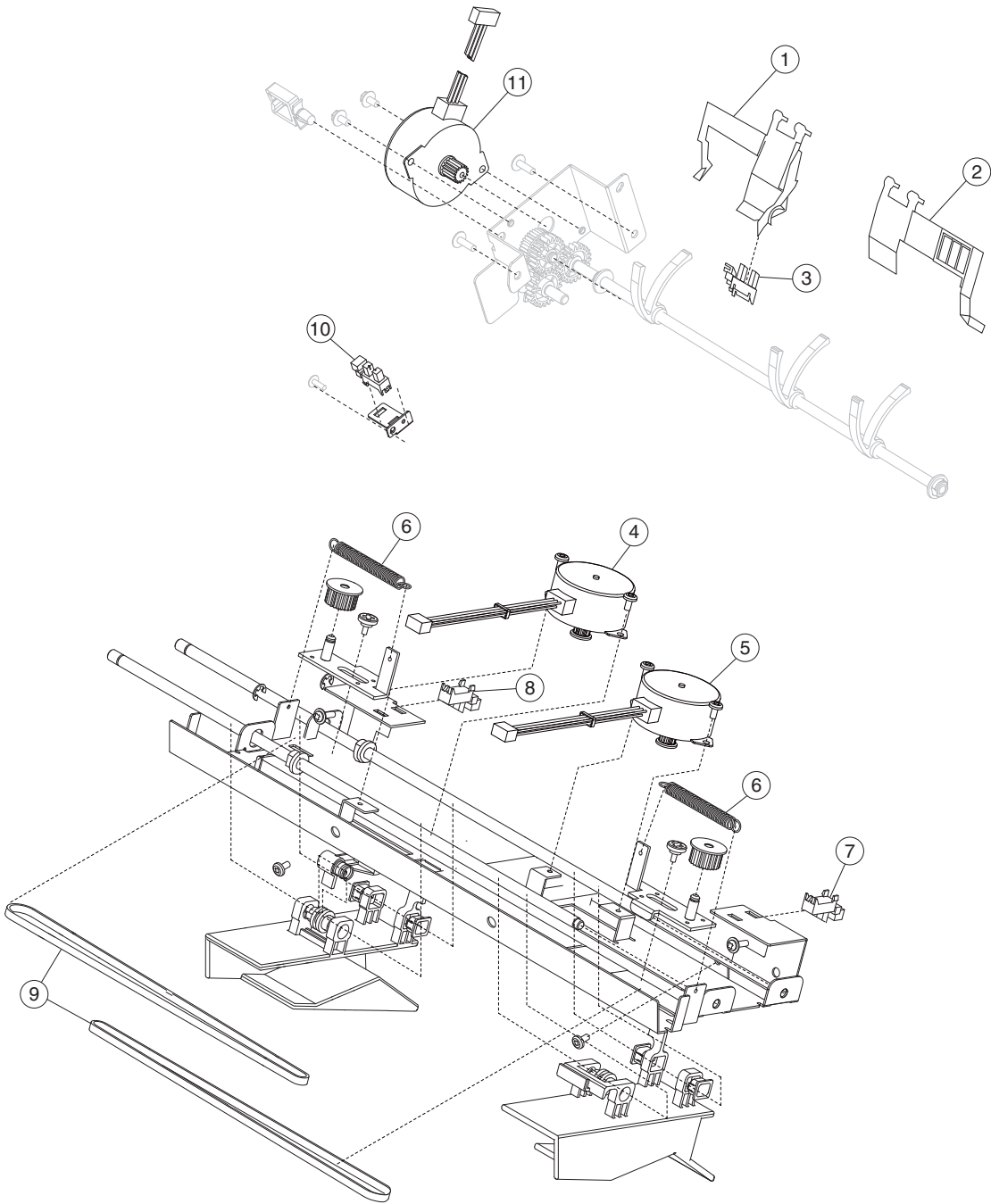
Assembly 14: SFP stapler assembly #2



Assembly 14: SFP stapler assembly #2

Asm-Index	Part number	Units/mach	Units/kit or pkg	Description
1	40X4612	1	1	Handle cover
2	40X4613	1	1	Rear door assembly
3	40X5910	1	1	Stapler cover
4	40X4610	1	1	Right cover
5	40X5544	1	1	Sensor (bin full receive)
6	40X4617	1	2	Finisher bin spring
7	40X5545	1	1	Standard output bin LED
8	40X5727	1	1	LED clear lens
9	40X5720	1	1	LED sensor cover
10	40X4618	1	1	Sensor (finisher bin media present)
11	40X4619	1	1	Media output bin extension
12	40X5541	1	1	Media output bin
13	40X4626	1	1	Sensor (bin full send)
14	40X4625	1	1	Stapler/stacker controller card assembly
15	40X4609	1	1	Left cover
16	40X4611	1	1	Top cover
17	40X5906	1	1	Sensor (stapler/stacker pass through)

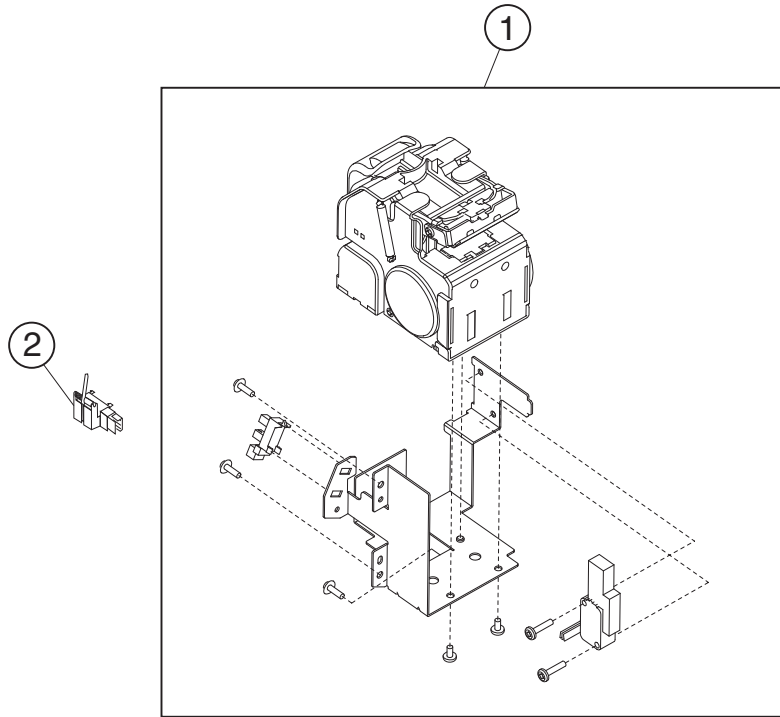
Assembly 15: SFP stapler assembly #3



Assembly 15: SFP stapler assembly #3

Asm-Index	Part number	Units/mach	Units/kit or pkg	Description
1	40X4645	1	1	Media stack flap actuator
2	40X4646	1	1	Media stack flap
3	40X4369	1	1	Sensor (media stack)
4	40X4621	1	1	Left tamper motor assembly
5	40X4622	1	1	Right tamper motor assembly
6	40X4624	1	2	Tamper recoil spring
7	40X4369	1	1	Sensor (tamper HP right)
8	40X4369	1	1	Sensor (tamper HP left)
9	40X4623	1	1	Tamper drive belt
10	40X4369	1	1	Sensor (paddle HP)
11	40X4615	1	1	Paddle drive motor

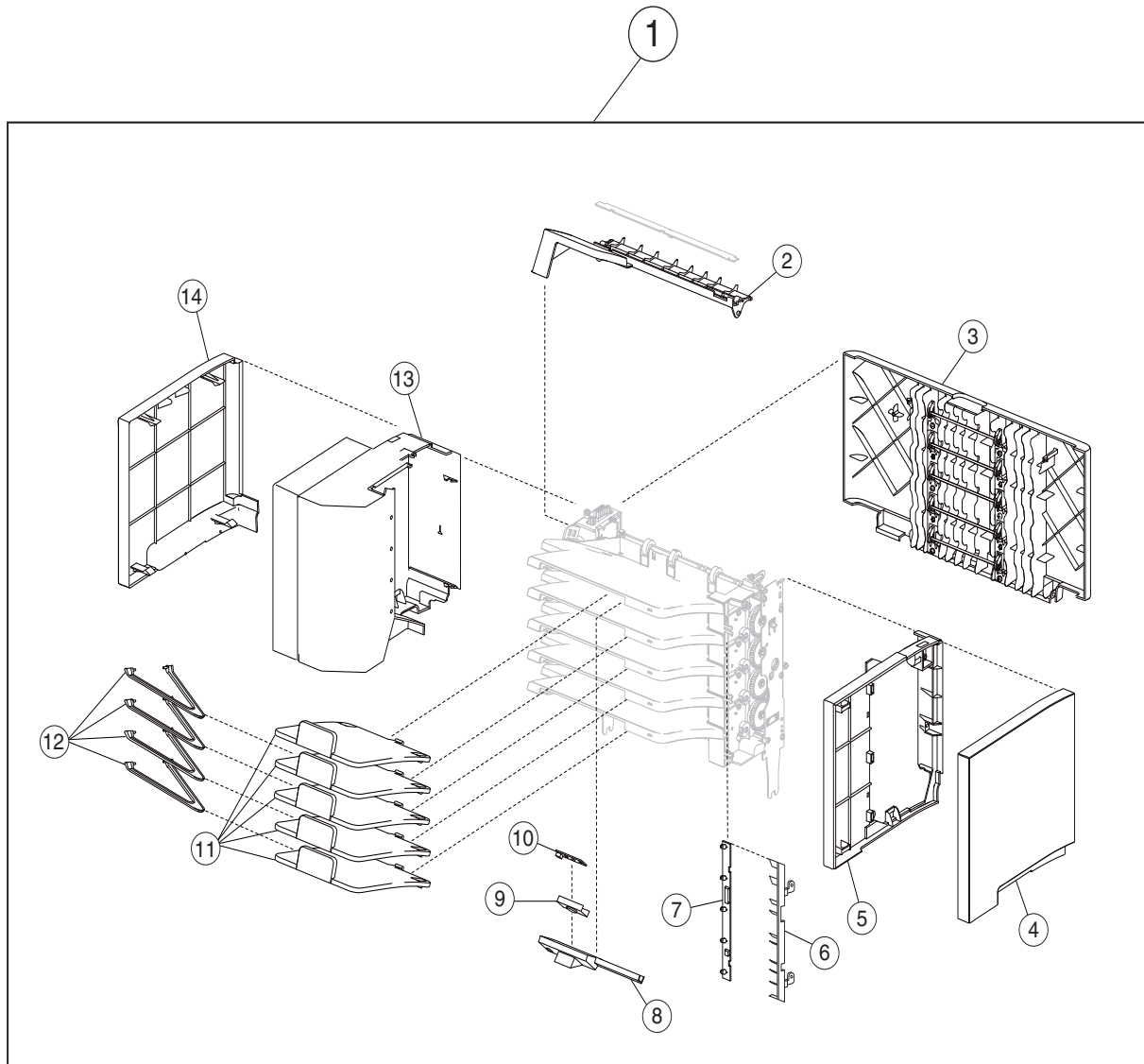
Assembly 16: SFP stapler assembly #4



Assembly 16: SFP stapler assembly #4

Asm-Index	Part number	Units/mach	Units/kit or pkg	Description
1	40X4641	1	1	Stapler assembly
2	40X5909	1	1	Sensor (media in stapler)

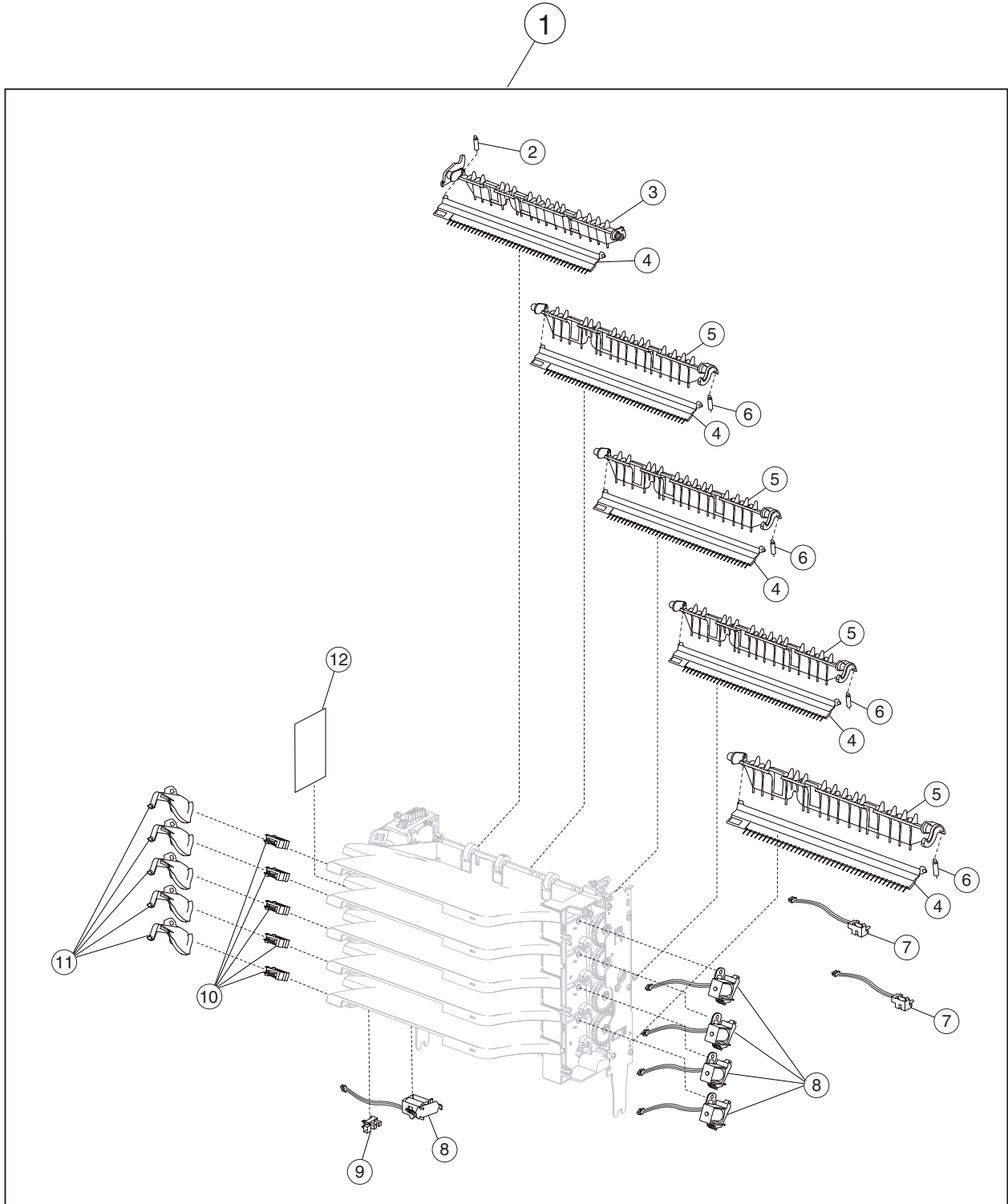
Assembly 17: 5-bin mailbox #1



Assembly 17: 5-bin mailbox #1

Asm-Index	Part number	Units/mach	Units/kit or pkg	Description
1	40X5550	1	1	Complete 5 bin mailbox unit assembly
2	40X5708	1	1	Top cover
3	40X5709	1	1	Rear door assembly
4	40X5712	1	1	Right outer cover
5	40X5713	1	1	Right inner cover
6	40X5756	1	1	Output bin LED bracket
7	40X5717	1	1	Output bin LED assembly
8	40X5714	1	1	Standard output bin LED bracket
9	40X5755	1	1	LED clear lens
10	40X4773	1	1	Standard output bin LED
11	40X5753	1	1	Media bin extension assembly
12	56P4191	1	1	Media bail assembly
13	40X5711	1	1	Left inner cover
14	40X5710	1	1	Left outer cover

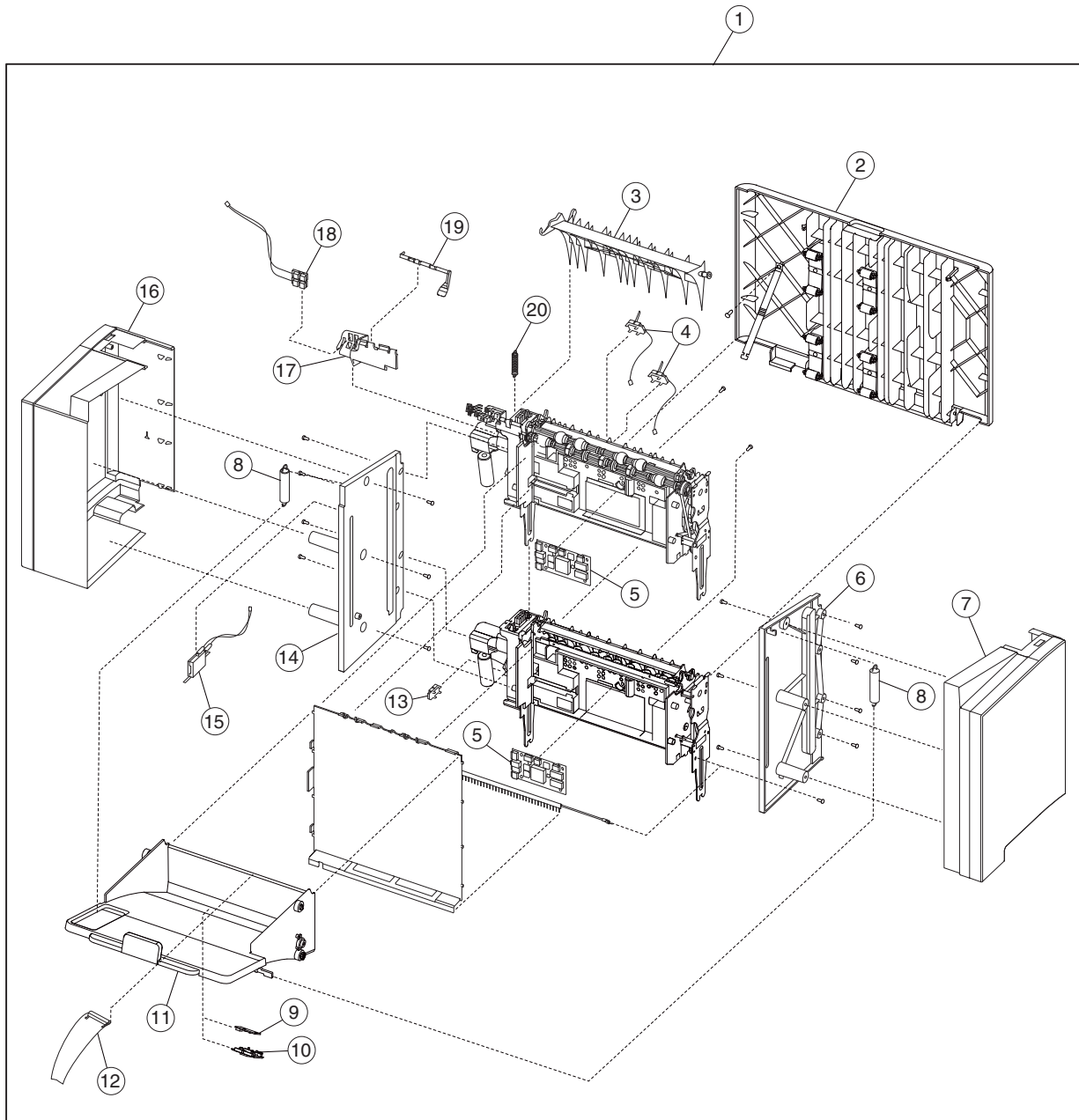
Assembly 18: 5-bin mailbox #2io



Assembly 18: 5-bin mailbox #2

Asm-Index	Part number	Units/mach	Units/kit or pkg	Description
1	40X5550	1	1	Complete 5 bin mailbox unit assembly
2	40X0028	1	1	Spring (top)
3	40X2036	1	1	Deflector gate (top)
4	40X4772	1	1	Static brush mylar assembly
5	40X2037	1	1	Deflector gate
6	40X2065	1	1	Spring
7	40X3242	1	1	Sensor (pass through)
8	40X2061	5	1	Deflector gate solenoid
9	40X4369	1	1	Sensor (deflector gate HP)
10	40X3240	1	1	Sensor (media bin empty)
11	40X2038	1	1	Media bin full actuator
12	40X5718	1	1	5 bin mailbox controller card assembly

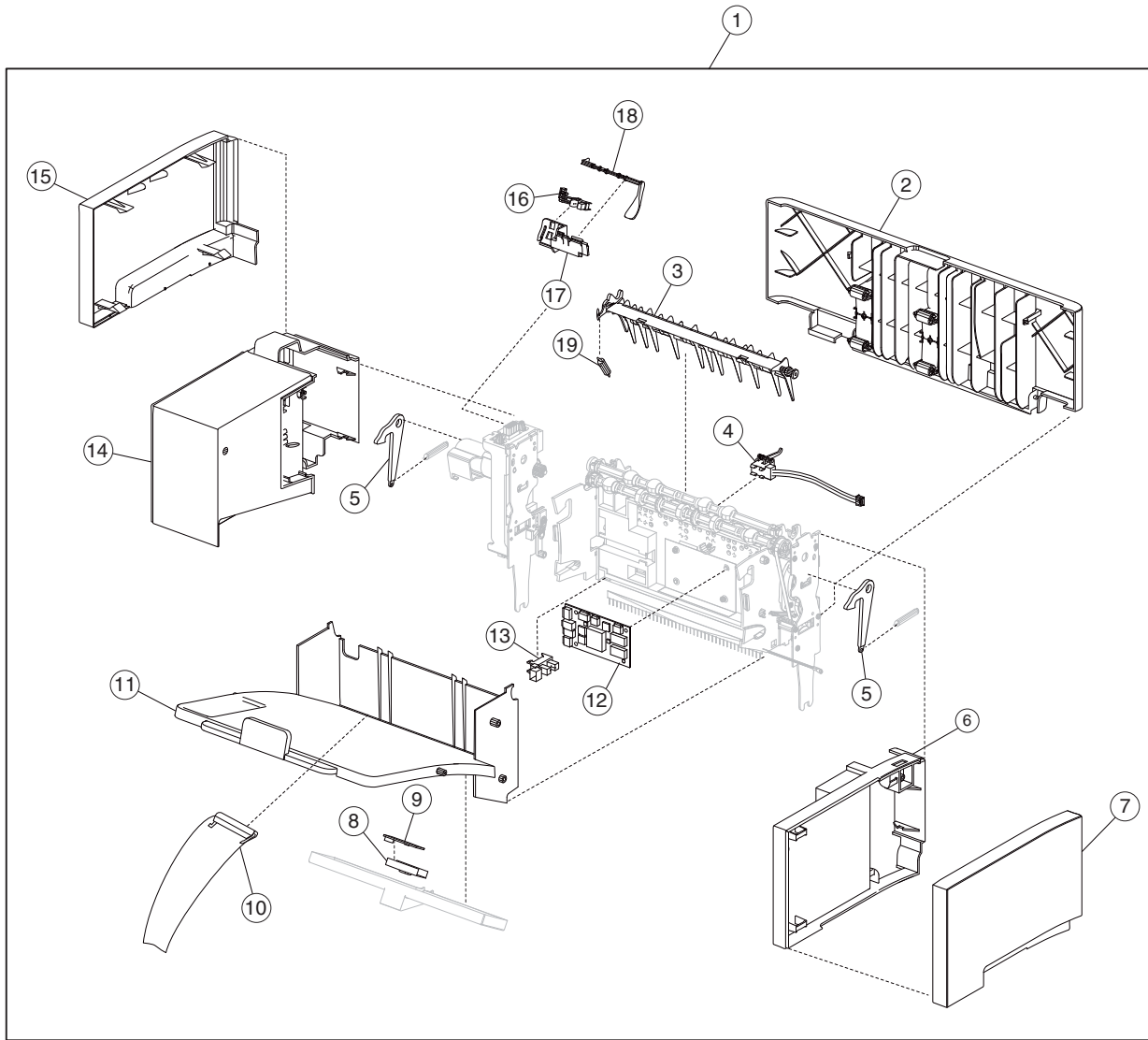
Assembly 19: High capacity stacker



Assembly 19: High capacity stacker

Asm-Index	Part number	Units/mach	Units/kit or pkg	Description
1	40X5730	1	1	Complete high capacity stacker assembly
2	40X5737	1	1	Rear door assembly
3	40X1988	1	1	Deflector gate
4	40X3264	2	1	Sensor (pass through)
5	40X5733	1	1	High capacity output controller card assembly
6	40X5734	1	1	Right frame
7	40X5735	1	1	Right cover
8	56P4210	1	2	Media output bin recoil spring
9	40X4773	1	1	Standard output bin LED
10	40X5755	1	1	LED clear lens
11	40X5731	1	1	Media output bin assembly
12	40X1998	1	1	Media bail assembly
13	40X4369	1	1	Sensor (deflector gate HP)
14	40X5748	1	1	Left frame
15	56P4208	1	1	Switch (media bin HP)
16	40X5736	1	1	Left cover
17	40X1989	1	1	Sensor bracket
18	40X3265	1	1	Sensor (media bin full assembly)
19	56P4212	1	1	Media bin full actuator
20	40X0028	1	1	Spring (top)

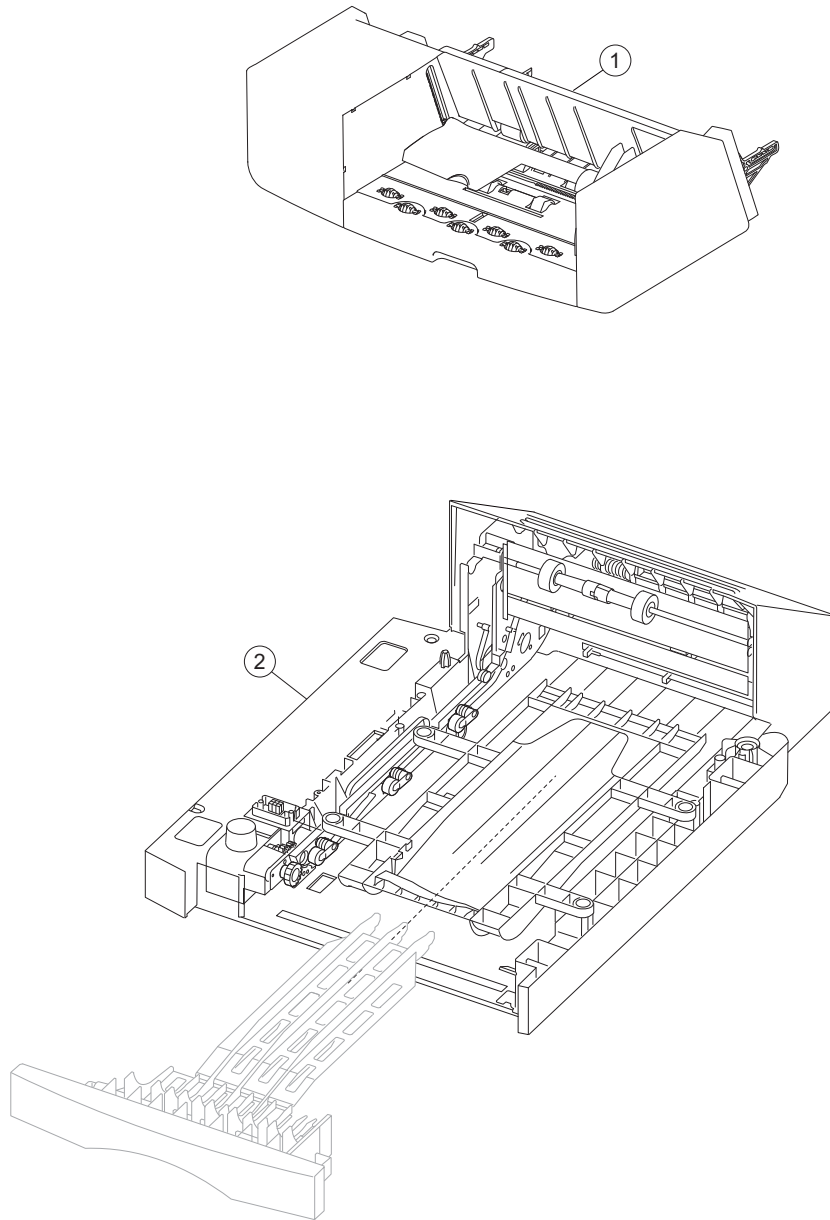
Assembly 20: Output expander



Assembly 20: Output expander

Asm-Index	Part number	Units/mach	Units/kit or pkg	Description
1	40X5719	1	1	Complete output expander assembly
2	40X5722	1	1	Rear door assembly
3	40X1988	1	1	Deflector gate
4	40X3264	1	1	Sensor (pass through)
5	40X1991	2	1	Output expander media bin latch
6	40X5726	1	1	Right inner cover
7	40X5725	1	1	Right outer cover
8	40X5755	1	1	LED clear lens
9	40X4773	1	1	Standard output bin LED
10	40X1998	1	1	Media bail assembly
11	40X5721	1	1	Media output bin assembly
12	40X5747	1	1	Output expander controller card
13	40X4369	1	1	Sensor (deflector gate HP)
14	40X5724	1	1	Left inner cover
15	40X5723	1	1	Left Outer cover
16	40X3265	1	1	Sensor (media bin full)
17	40X1989	1	1	Sensor bracket
18	40X1990	1	1	Media bin full actuator
19	40X0028	1	1	Spring (top)

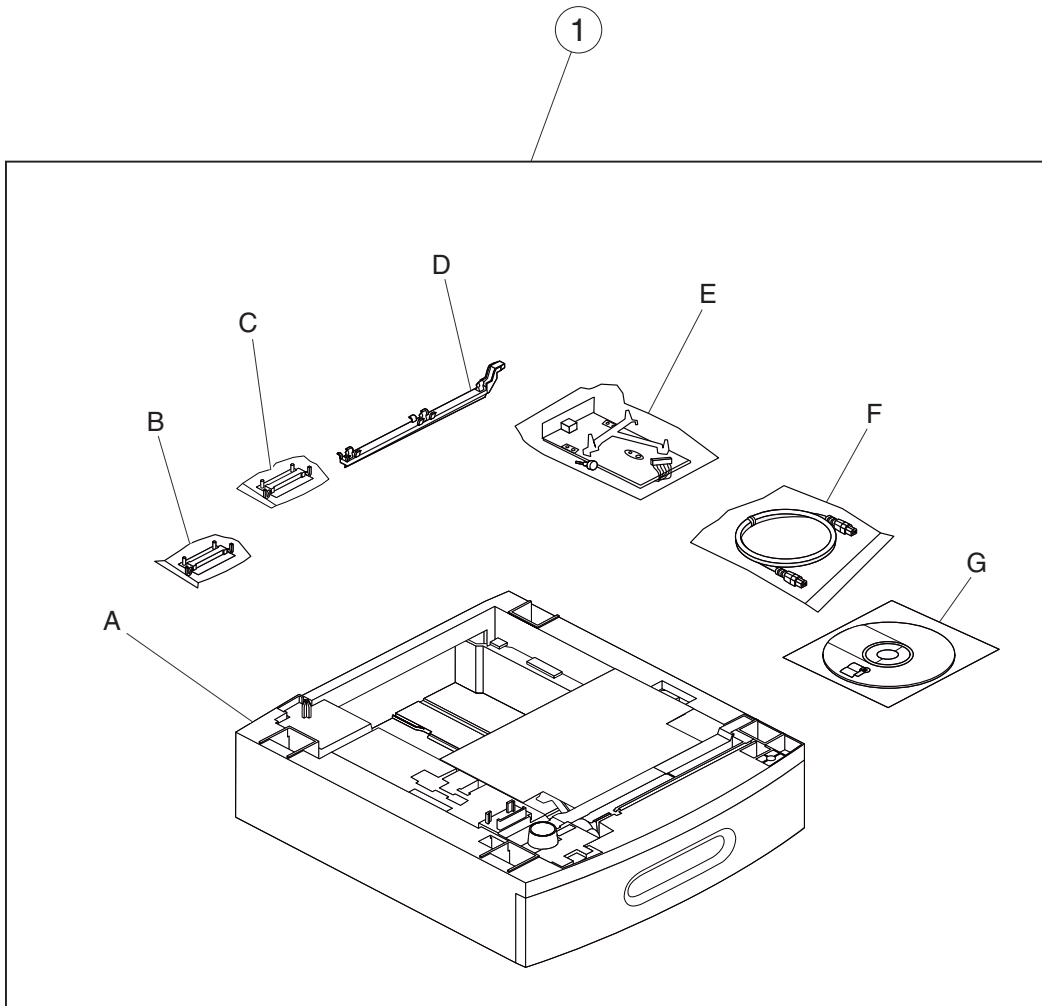
Assembly 21: Envelope feeder and external duplex



Assembly 21: Envelope feeder and external duplex

Asm-Index	Part number	Units/mach	Units/kit or pkg	Description
1	40X5739	1	1	Envelope feeder (T650, T652, and T654 only - will not fit the T656)
2	40X5904	1	1	External duplex

Assembly 22: RFID UHF Option assembly



Asm-Index	Part number	Units/mach	Units/kit or pkg	Description
1	40X1483	1	1	US RFID UHF option assembly including: A. RFID UHF option B. Firmware card C. User flash card D. Fuser wiper E. Interface card, plastic tee, screw F. RFID cable G. Documentation CD
1	40X1484	1	1	EU RFID UHF option assembly including: A. RFID UHF option B. Firmware card C. User flash card D. Fuser wiper E. Interface card, plastic tee, screw F. RFID cable G. Documentation CD

Assembly 23: Miscellaneous

Asm-Index	Part number	Units/mach	Units/kit or pkg	Description
NS	40X5903	1	1	Relocation kit
NS	40X4723	1	1	Printer maintenance kit (100 V type 1 fuser)
NS	40X4724	1	1	Printer maintenance kit (110 V type 1 fuser)
NS	40X4765	1	1	Printer maintenance kit (220 V type 1 fuser)
NS	40X4766	1	1	Printer maintenance kit (100 V type 2 fuser)
NS	40X4767	1	1	Printer maintenance kit (110 V type 2 fuser)
NS	40X4768	1	1	Printer maintenance kit (220 V type 2 fuser)
NS	40X5937	1	1	128MB DIMM, DDR1, for T650 and T652
NS	40X5938	1	1	256MB DIMM, DDR1, for T650 and T652
NS	40X5939	1	1	512MB DIMM, DDR1, for T650 and T652
NS	40X5301	1	1	256 MB SO-DIMM, DDR2 for T654
NS	40X5302	1	1	12MB SO-DIMM, DDR2 for T654
NS	40X5303	1	1	1GB (1024MB) SO-DIMM, DDR2 for T654
NS	40X5704	1	1	256MB user flash memory card for T65X
NS	40X4822	1	1	Hard disk drive for T65X
NS	40X5057	1	1	TAA hard drive assembly with connector
NS	40X7029	1	1	T650/T652 Card for PRESCRIBE Emulation
NS	40X7030	1	1	T654 Card for PRESCRIBE Emulation
NS	40X2863	1	1	T656 Card for PRESCRIBE Emulation
NS	40X5952	1	1	Lexmark PrintCryption card
NS	40X5955	1	1	T650/T652 Forms and Bar code card
NS	40X5956	1	1	T650/T652 Card for IPDS and SCS/TNe
NS	40X5962	1	1	T650/T652 KS emulation card
NS	40X5954	1	1	T654/T656 Forms and Bar code card
NS	40X5957	1	1	T654 card for IPDS and SCS/TNe
NS	40X2862	1	1	T656 card for IPDS and SCS/TNe
NS	40X5969	1	1	Korean font card
NS	40X5970	1	1	Simplified Chinese font card
NS	40X5971	1	1	Traditional Chinese font card
NS	40X5972	1	1	Japanese font card
NS	40X1556	1	1	Parts pack, ISP thumbscrew and standoff
NS	40X5316	1	1	ISP interface cable assembly
NS	40X4826	1	1	MarkNet N8120 gigabit ethernet print server
NS	40X4827	1	1	MarkNet N8130 fiber ethernet print server
NS	40X5038	1	1	MarkNet N8150 802.11n wireless print server (US/Americas)
NS	40X5039	1	1	MarkNet N8150 802.11n wireless print server (WW, except US/Americas)
NS	56P2129	1	1	Lexmark N4000e print server
NS	56P2744	1	1	Lexmark N4050e (1 port USB) wireless 802.11g (US/Americas)
NS	40X1593	1	1	MarkNet N7000e Fast Ethernet 10/100BaseTX-USB
NS	40X1594	1	1	MarkNet N7002e Fast Ethernet 10/100BaseTX - Parallel
NS	40X1592	1	1	Lexmark MarkNet N7020e (4 port USB) ethernet 10base T/100Base TX/1000BaseT
NS	40X4819	1	1	RS-232C serial interface card

Asm-Index	Part number	Units/mach	Units/kit or pkg	Description
NS	40X4823	1	1	Parallel 1284-B interface card
NS	40X1367	1	1	10-Foot parallel printer cable
NS	40X2665	1	1	Fuser oil wiper (black housing)
NS	40X2666	1	1	Fuser wax wiper (gray housing)
NS	40X1368	1	1	2-Meter USB printer cable
NS	40X1462	1	1	Locking universal media drawer with tray, 200 sheet
NS	40X1463	1	1	Locking media drawer with tray, 550 sheet
NS	40X1464	1	1	Locking universal media drawer with tray, 400 sheet

Assembly 24: Power cords

Asm-Index	Part number	Units/mach	Units/kit or pkg	Description
NS	40X0269	1	1	Power cord LV, USA & Canada, Latin America
NS	40X0288	1	1	Power cord HV, Argentina
NS	40X1766	1	1	Power cord HV, Bolivia & Peru
NS	40X0273	1	1	Power cord HV, Chile, Uruguay
NS	40X3141	1	1	Power cord HV, Paraguay, Austria, Belgium, France, Germany, Italy, Netherlands, Bluemark, Czech & Solvic countries, Greece, Hungary, Medmark 1, Medmark 2, Arabic, Poland, Russia, CIS, Spain, Portugal, & Ireland
NS	40X4596	1	1	Power cord LV, Brazil PPB kits
NS	40X0271	1	1	Power cord HV, Asian, Brunei, Cambodia, Indonesia, Laos, Malaysia, Myanmar, Philippines, Singapore, Thailand, Vietnam, Afghanistan, Bangladesh, Bhutan, India, Nepal, Pakistan, Sri Lanka, Tibet, & Hong Kong
NS	40X0301	1	1	Power cord HV, Australia & New Zealand
NS	40X3609	1	1	Power cord 100 V, Japan
NS	40X1792	1	1	Power cord, HV, Korea
NS	40X0303	1	1	Power cord, HV PRC
NS	40X1791	1	1	Power cord LV, Taiwan
NS	40X1774	1	1	Power cord HV, Denmark, Finland, Norway, Sweden
NS	40X0275	1	1	Power cord, HV, Israel
NS	40X1773	1	1	Power cord HV, South Africa, Namibia, Lesotho, Botswana & Pakistan
NS	40X1772	1	1	Power cord HV, Switzerland

Assembly 25: Universal trays and accessories

Asm-Index	Part number	Units/mach	Units/kit or pkg	Description
NS	40X5857	1	1	Universal media drawer with tray, 200 sheet
NS	40X5858	1	1	Universal media tray, 200 sheet
NS	40X5859	1	1	Universal media drawer with tray, 400 sheet
NS	40X5860	1	1	Universal media tray, 400 sheet
NS	40X5945	1	1	33" banner drawer with tray
NS	40X5946	1	1	33" banner tray
NS	40X5947	1	1	48" banner drawer with tray
NS	40X7007	1	1	48" banner tray
NS	40X5863	1	1	Adjustable label stacking device
NS	40X5861	1	1	Kiosk presenter
NS	40X7001	1	1	Wear strips, smooth 250 sheet
NS	40X7002	1	1	Wear strips, dimpled 250 sheet
NS	99A1206	1	1	Wear strips, 3 row dimpled 250 sheet
NS	40X2786	1	1	Wear strips, 4 row dimpled 250 sheet
NS	40X7003	1	1	Wear strips, 3 row dimpled 550 sheet
NS	40X7004	1	1	Wear strips, dinky 550 sheet
NS	40X2787	1	1	Wear strips, 3 row dimpled 550 sheet
NS	40X2788	1	1	Wear strips, 4 row dimpled 550 sheet
NS	40X7009	1	1	250 sheet tray replacement wear strip kit
NS	40X7010	1	1	550 sheet tray replacement wear strip kit