

USER MANUAL (CANADA)

EN

SEDEO PRO



CE

 **handicare**

1011651D

Sedeo Pro

© 2011 Handicare

All rights reserved.

The information provided herein may not be reproduced and/or published in any form, by print, photoprint, microfilm or any other means whatsoever (electronically or mechanically) without the prior written authorization of Handicare.

The information provided is based on general data concerning the construction known at the time of the publication of this manual. Handicare executes a policy of continuous improvement and reserves the right to changes and modifications.

The information provided is valid for the product in its standard version. Handicare can therefore not be held liable for any damage resulting from specifications of the product deviating from the standard configuration. Illustrations contained in the manual may deviate from the configuration of your product.

The information made available has been prepared with all possible diligence, but Handicare cannot be held liable for any errors contained in the information or the consequences thereof.

Handicare accepts no liability for loss resulting from work executed by third parties.

Names, trade names, trademarks etc. used by Handicare may not, as per the legislation concerning the protection of trade names, be considered as being available.

2011-01



1	Introduction	33
	1.1 This manual	33
	1.2 Symbols used in this manual	33
2	Safety	34
	2.1 Temperature	34
	2.2 Indications on the seating system	34
3	General description	35
	3.1 Sedeo Pro product description	35
4	Use	36
	4.1 Adjustment of the seating system (by the user/attendant)	36
	4.2 Getting into and out of the wheelchair (forward transfer)	39
	4.3 Getting into and out of the wheelchair (sideways transfer)	39
	4.4 Options / accessories	40
	4.5 Reducing the seating system in size for transportation purposes	42
	4.6 Setting up the seating system following transportation	44
5	Seating system adjustments (to be carried out by a professional)	46
	5.1 Seat depth	46
	5.2 Seat width	46
	5.3 Backrest angle	47
	5.4 Backrest height	47
	5.5 Standard and manually elevating legrest	47
	5.6 Comfort legrest	48
	5.7 Central legrest	49
	5.8 Central legrest gas spring adjustment	50
	5.9 Armrest assembly	50
	5.10 Adjusting the centre of gravity	53
	5.11 Headrest	54
	5.12 Fixed / swing-away controller bracket	55
	5.13 Abduction support	56
	5.14 Backrest with adjustable straps - flexible	56
	5.15 Thoracic support	57
	5.16 Thigh support	58
	5.17 Attaching the lap strap	58
6	Maintenance	60
	6.1 Cleaning the upholstery	60
7	Troubleshooting	61
8	Specifications	62
	8.1 CE declaration of conformity	62
	8.2 Technical information	62
9.	Provisions of warranty	64

1 Introduction

1.1 This manual

This user manual will help you to use and maintain your seating system safely. This user manual is a supplement to Handicare's general wheelchair user manual.

Where necessary this user manual refers to other manuals as shown below:

-  Wheelchair: Refers to the general wheelchair user manual.
-  Controller: Refers to the user manual for the controller (only applicable for power wheelchairs).

Read this user manual and the other user manuals referred to carefully before using the product. If one of the user manuals was not included with your wheelchair, please contact your dealer immediately. In addition to this user manual, there is also a service manual for qualified specialists.

CONTACT HANDICARE IF YOU HAVE A VISUAL IMPAIRMENT.

1.2 Symbols used in this manual

Note!

Pointing out possible problems to the user.



Caution!

Advice for the user to prevent damage to the product.



Warning!

Warnings for the user to prevent personal injury.

Not following these instructions may result in physical injury, damage to the product or damage to the environment!

2 Safety

Warning!

Always follow the instructions given next to the warning symbols! Failure to follow these instructions may result in physical injury, damage to the wheelchair or damage to the environment. Where possible the warning symbols have been placed in the applicable paragraphs.

Be careful when swing away/flip up parts. Contact with moving parts should be avoided.

Caution!

Parts of the wheelchair that are intended, for service or repair, to be removed without the use of tools (e.g. armrest, legrest) can have an adverse effect on the support of the user if they are missing or not placed back in the right position.

2.1 Temperature

Warning!

Avoid exposing the wheelchair to direct sunlight for extended periods of time. Some parts of the wheelchair, such as the seat, the backrest and the armrests assembly, complete, can become hot if exposed to the sun for too long. This may cause burns or skin irritation.

2.2 Indications on the seating system



The wheelchair must not be lifted up by the armrests assembly, complete and/or legrests.



The stability of the wheelchair is influenced by the adjustment of the seating system's centre of gravity. Such adjustments should be made by professionals only.

3 General description

3.1 Sedeo Pro product description

The wheelchair is fitted with a Sedeo Pro seating system. The Sedeo Pro seating system provides excellent support for the head, torso, arms and legs. Optimal body support ensures maximum independence for the wheelchair user.

The wheelchair must be adjusted by a qualified specialist. Incorrect settings may have negative consequences for seating posture.



Caution!

Please study this manual carefully before using the seating system.

Key to symbols



Loosen by one turn with wing-nut



Tighten by one turn with wing-nut



Loosen by one turn with torx



Tighten by one turn with torx



Step 1, 2 etc.

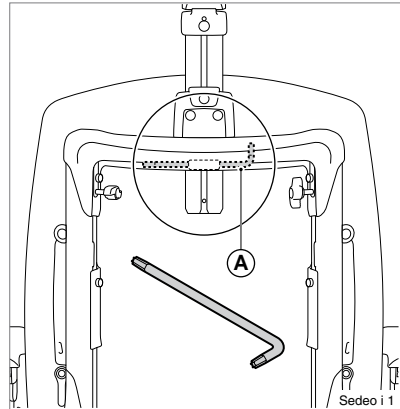
An arrow, as part of an illustration, indicates that the component in question moves or needs to be moved in the direction indicated.

Notes on "Key to symbols"

Each illustration includes icons and numbering to indicate what needs to be done and in which order.

Tools supplied

A T30 Torx key is supplied with the seating system. This can be used by a professional for adjusting all of the seating system settings. The T30 Torx key (A) can be found on the frame at the location indicated in the illustration.



Note!

There are calibration marks on various parts of the seating system. The ex-factory settings are indicated.

4 Use

4.1 Adjustment of the seating system (by the user/attendant)

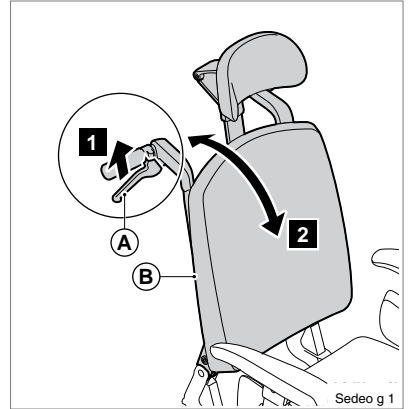
Manually reclining backrest (by attendant)

1. Squeeze (A).
2. Adjust (B) to the desired position.

Note!

Keep squeezing (A).

3. Release (A).



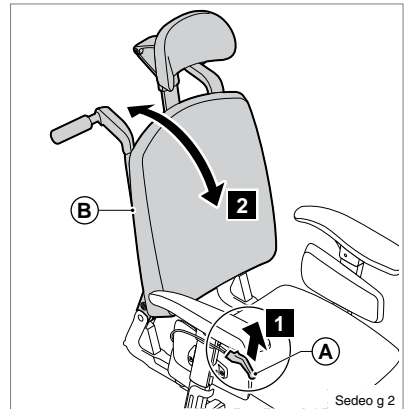
Manually reclining backrest (by user)

1. Squeeze (A).
2. Lean forwards or backwards to adjust (B) to the desired position.

Note!

Keep squeezing (A).

3. Release (A).



Power reclining backrest

Power reclining backrest is adjusted by moving the electronic joystick. Please refer to the controller owners manual for operating instructions.

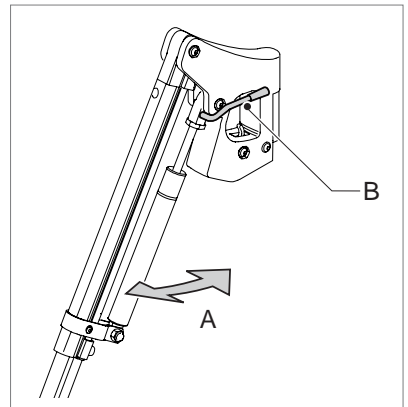
Sedeo Original comfort legrests knee angle

The angle of the comfort leg rests can be adjusted independently of each other.

1. Push handle (B) forwards.
2. Lift your leg.
3. Release the handle when in the desired position.

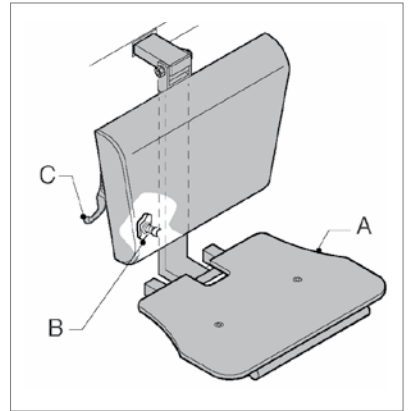
Sedeo power elevating legrests

Knee angle is adjusted by moving the electronic joystick. Please refer to the controller owners manual for operation instructions.



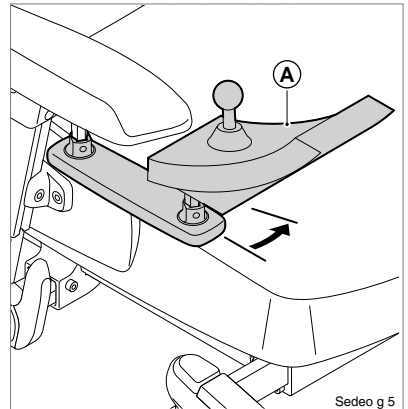
Sedeo Original central leg rest gas spring adjustment knee angle

1. Press gas spring handle (C).
2. Adjust the leg rest to the desired position.
3. Release the gas spring (C).



Moving the controller bracket inwards

1. Push (A) inwards until hearing a click.

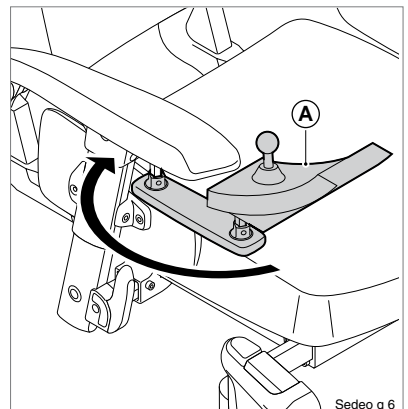


Swing away the controller bracket

1. Push (A) outwards until hearing a click.

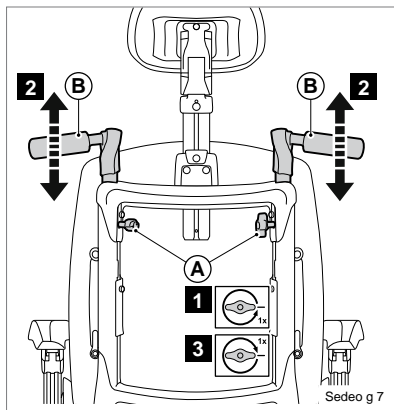
Note!

Swinging back the controller bracket will allow you to pull up close to a table. Full operation of the controller remains possible.



Push handle height

1. Loosen (A) by one turn.
2. Slide (B) into the desired position.
3. Tighten (A).

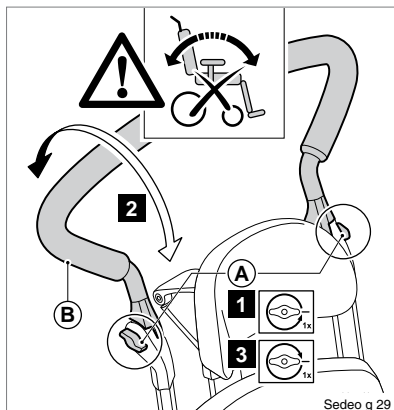


Angle adjustable push bar

1. Loosen (A) by one turn.
2. Slide (B) into the desired position.
3. Tighten (A).

Warning!

Do not use the push bar to tip the whole chair to the rear (in order to mount a pavement, for example). The push bar is not suitable for such use.

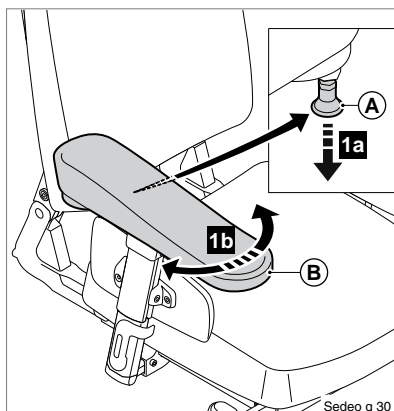


Hemiplegia armrest

1. Pull (A) out of the locked position and twist (B) into the desired position.

Note!

Ensure that (B) is properly secured!



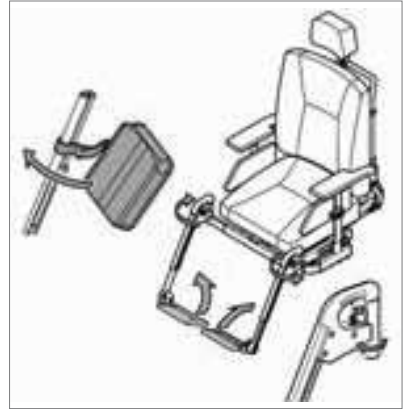
4.2 Getting into and out of the wheelchair (forward transfer)

Warning!

Do not stand on the footplates. Putting your full weight on the footplates may lead to wheelchair damage and to hazardous situations, including the wheelchair tipping up.

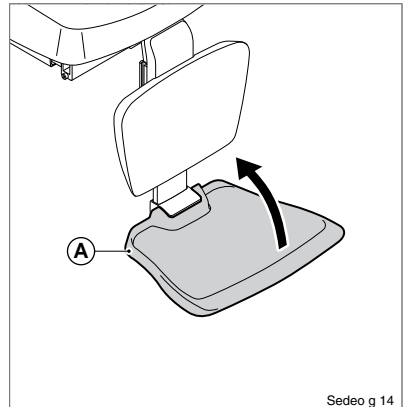
Sedeo Original standard legrest

1. Fold up the foot supports
2. Swing the calf plates to the side (if applicable)
3. If possible, swing the legrests to the side
4. Seat yourself in the chair



Flipping up the central legrest footplate

1. Flip up (A).



Sedeo g 14

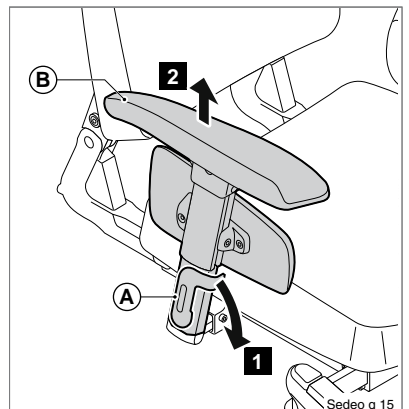
4.3 Getting into and out of the wheelchair (sideways transfer)

Note!

Some versions of the controller will need to be swung aside.

Removing the armrest assembly

1. Tip (A) downwards.
2. Remove (B).



Sedeo g 15

Folding back the armrest assembly

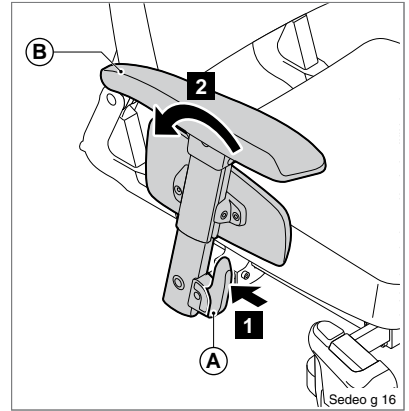
1. Press (A).
2. Fold (B) to the rear.

⚠ Caution!

Remove the tray before folding back the armrest assembly.

⚠ Warning!

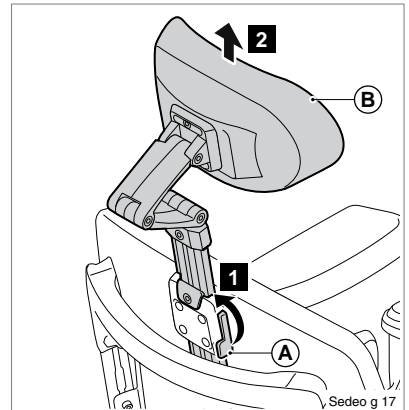
Do not lean on the armrest when folded back.

**4.4 Options / accessories****Removing/positioning the headrest**

1. Lift (A).
2. Slide (B) out of or into (C).
3. Push (A) down.

Note!

Always slide the headrest until it comes to a stop in the bracket.

**Flip down the abduction support**

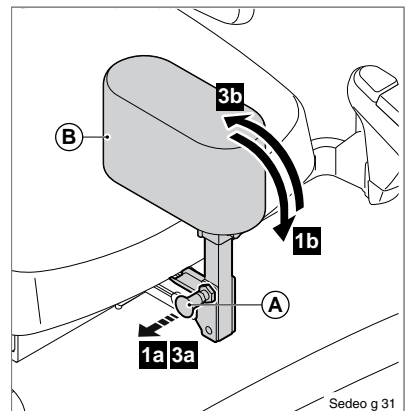
1. Pull (A) out of the locked position and flip down (B)
2. Release (A).

Flip up the abduction support

3. Pull (A) out of the locked position and flip up (B).
4. Release (A) in the locked position.

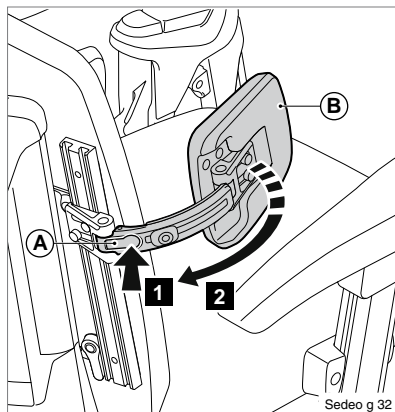
Note!

Ensure that (B) is properly secured!



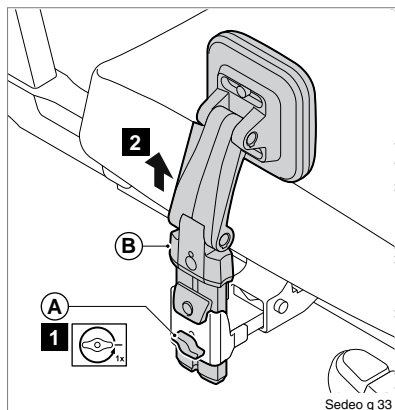
Folding back the thoracic support

1. Press (A) to fold back (B).



Removing the thigh support

1. Loosen (A) by one turn.
2. Remove (B).





Sedeo g 25

4.5 Reducing the seating system in size for transportation purposes

- A. Seat (2,5 kg)
- B. Backrest (2,5 kg)
- C. Armrest assembly (2 kg)
- D. Legrest (1,7 kg)
- E. Headrest (1,3 kg)

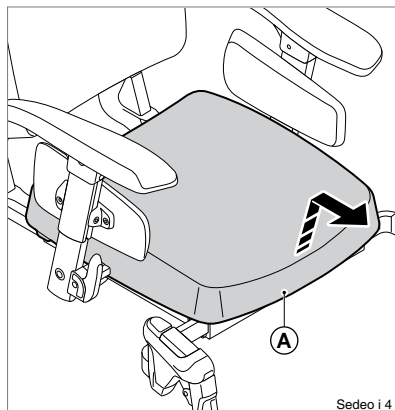


Warning!

The wheelchair can be reduced in size for transportation without a passenger. Any components of the seating system that can be detached easily should be removed. Store away such components safely so that they can not cause injury or damage, or become damaged themselves.

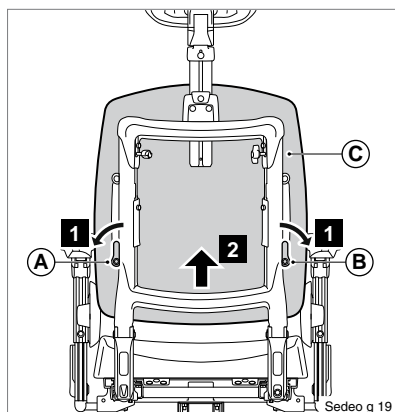
Removing the seat

1. Pull (A) upwards and forwards.



Removing the back cushion

1. Turn (A) and (B).
2. From the bottom, pull (C) forwards and upwards and remove.



Folding the backrest fully forward

1. Loosen (A).

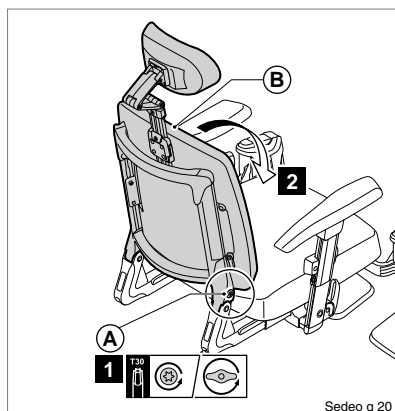
Note!

Do not remove (A).

2. Fold (B) fully forward.

Note!

If necessary, first remove the back cushion and/or the armrest assemblies.

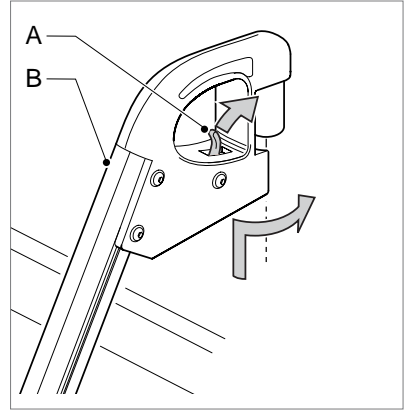


Removing Sedeo footrests / legrests

The following steps apply to Sedeo swingaway footrests, manual elevating legrests and power elevating legrests

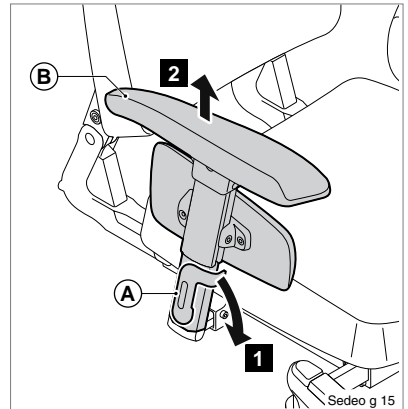
1. Remove the velcro calf strap from one side of the footrests (if calf strap is installed)
2. Push the catch (A) to the rear in order to unlock the leg rest.
3. Swing the leg rest outwards.
4. Remove the leg rest (B) from its bracket by lifting.

You should hear a click when replacing the leg rest. This indicates that the leg rest has locked into place.



Removing the armrest assembly

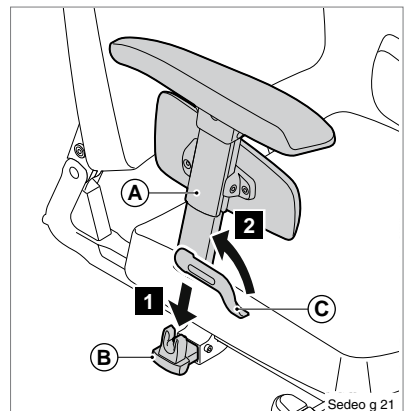
1. Tip (A) downwards.
2. Remove (B).



4.6 Setting up the seating system following transportation

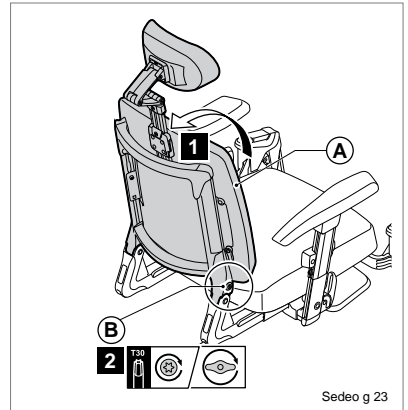
Positioning the armrest assembly

1. Slide (A) onto (B).
2. Push (C) upwards.



Positioning the backrest for use

1. Fold (A) upwards and backwards.
2. Tighten (B).

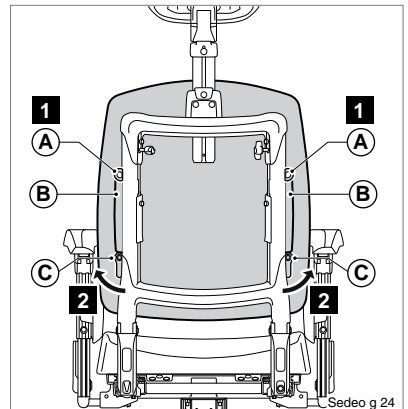


Positioning the back cushion

1. Hook (A) behind (B).
2. Turn (C).

⚠ **Caution!**

Ensure that the back cushion is firmly in position (handles upwards).

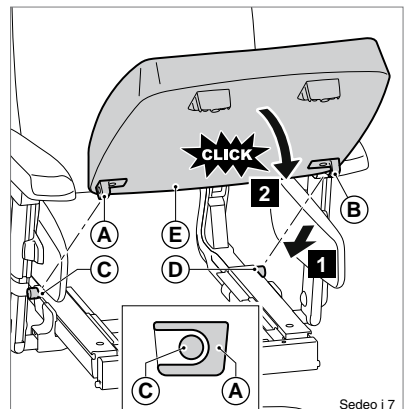


Positioning the seat

1. Slide (A) and (B) over (C) and (D).
2. Push (E) downwards.

⚠ **Caution!**

Ensure that (C) and (D) at the back of the seat hook under the bolt heads.



5 Seating system adjustments (to be carried out by a professional)

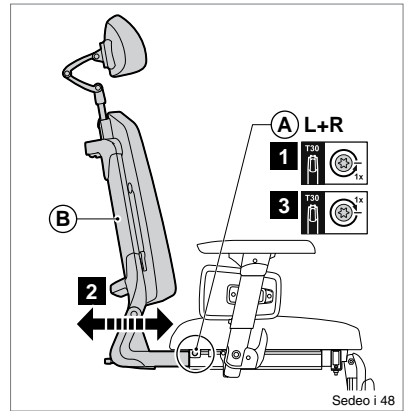
Note!

There are calibration marks on various parts of the seating system. The ex-factory settings are indicated.

5.1 Seat depth

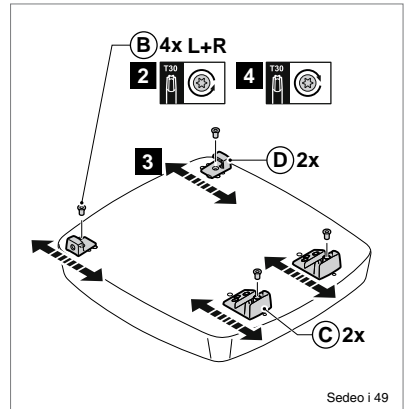
Backrest adjustment

1. Loosen (A) by one turn.
2. Adjust (B) to the desired position.
3. Tighten (A).



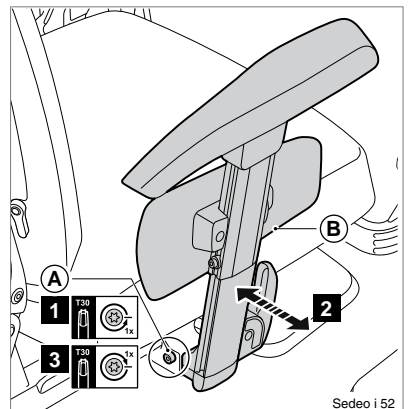
Seating system adjustment

1. Remove the seat (see "Use - Reducing the seating system in size for transportation purposes").
2. Remove the screws (B).
3. Move (C) and (D).
4. Tighten the screws (B).
5. Replace the seat (see "Use - Setting up the seating system following transportation").



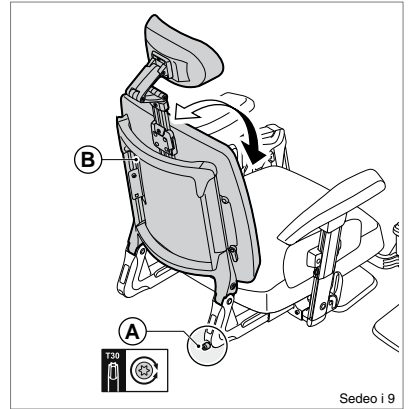
5.2 Seat width

1. Loosen (A) by one turn.
2. Slide (B) into the desired position.
3. Tighten (A).



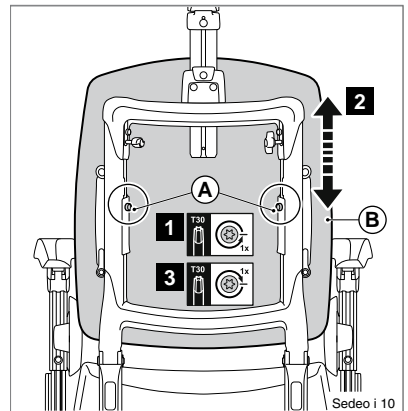
5.3 Backrest angle

1. Turn (A) in order to adjust (B).



5.4 Backrest height

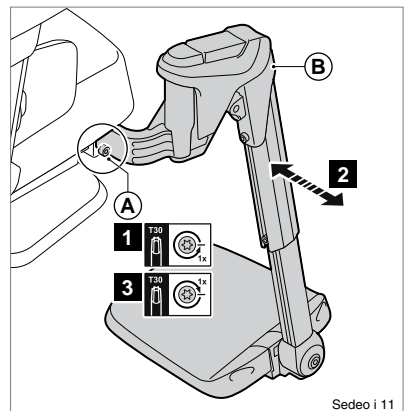
1. Loosen (A) by one turn.
2. Adjust (B) to the desired position.
3. Tighten (A).



5.5 Standard and manually elevating legrest

Legrest width

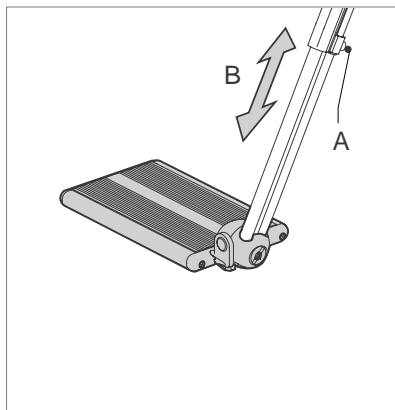
1. Loosen (A) by one turn.
2. Slide (B) into the desired position.
3. Tighten (A).



Lower leg length

1. Loosen the setscrew (A) a few turns with a 4 mm Allen key.
2. Slide the footplate (B) in the desired position.
3. Tighten the setscrew (A) securely.

⚠ Caution!
 Ensure that there is sufficient free space under (B) for the wheelchair to drive over obstacles.

**Footplate angle**

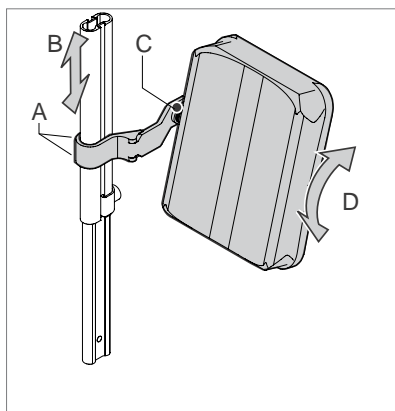
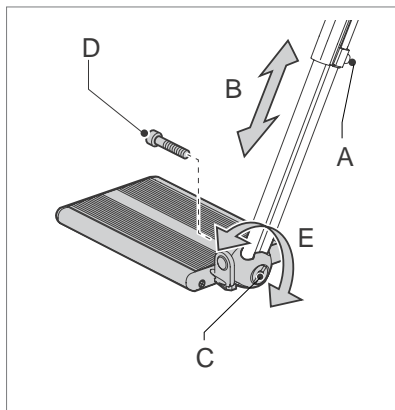
1. Loosen the Allen bolt (C) a few turns with a 6 mm Allen key, so that the teeth of the hinge come completely free.
2. Adjust the desired footplate angle (D) and push the hinge manually together again.
3. Tighten the Allen bolt (C) securely.

Footplate depth

The footplate is secured asymmetrically. The left and right footplate can be exchanged.

1. Loosen the setscrew (A) with a 4 mm Allen key.
2. Remove the footplate together with the profile.
3. Slide the footplate in the top tube of the other legrest.
4. Tighten the setscrew (A) securely.

⚠ Caution!
 Make sure that the castor wheels do not touch the footplates when manoeuvring. If this is the case, the legrests must be brought forward. There must be at least 1 cm between the castor wheels and the footplates.

**5.6 Comfort legrest****Calf pad height**

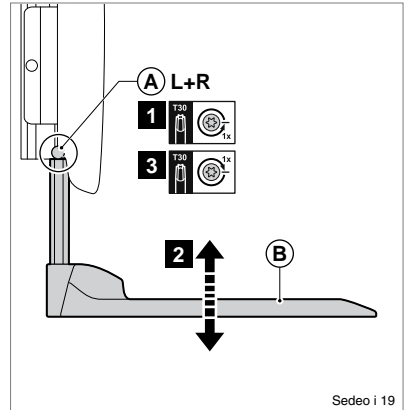
1. Loosen the Allen bolt (A) a few turns with a 4 mm Allen key.
2. Slide the calf pad (B) in the desired position.
3. Tighten the Allen bolt (A) securely.

5.7 Central legrest

Lower leg length

1. Loosen (A) by one turn.
2. Slide (B) into the desired position.
3. Tighten (A).

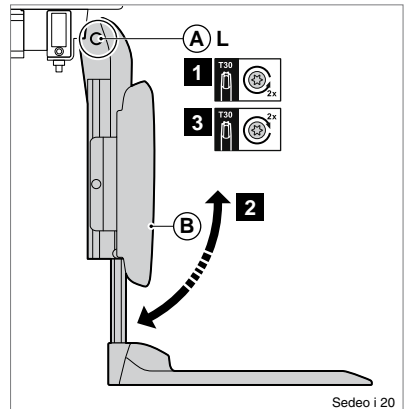
⚠ Caution!
Ensure that there is sufficient free space under (B) for the wheelchair to drive over obstacles.



Knee angle

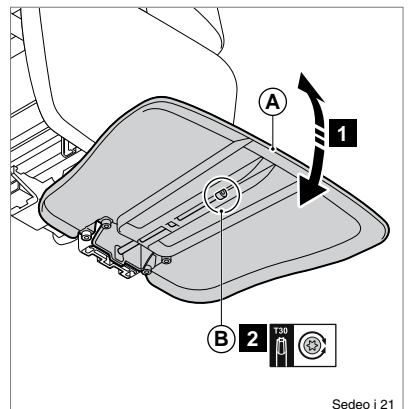
1. Loosen (A) by two turns.
2. Adjust (B) to the desired angle.
3. Tighten (A) by two turns.

⚠ Caution!
Change the height or knee angle if the footplate touches the castor wheels.



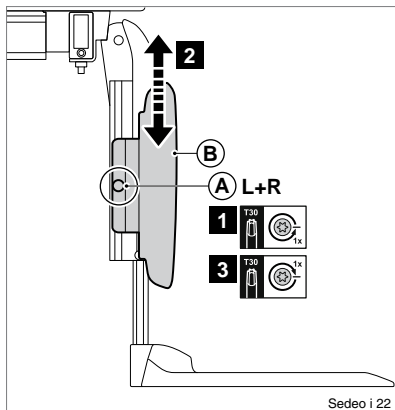
Ankle angle

1. Flip up (A).
2. Turn (B) in order to adjust the ankle angle as desired.
3. Fold (A) down.



Calf pad height

1. Loosen (A) by one turn.
2. Slide (B) into the desired position.
3. Tighten (A).



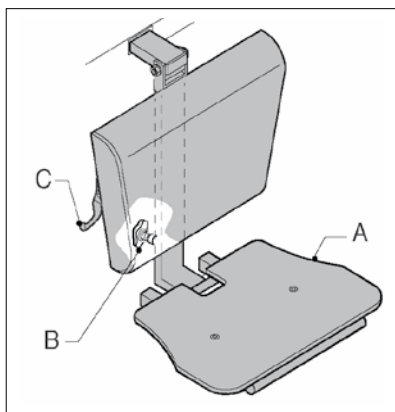
5.8 Central legrest gas spring adjustment

Lower leg length

1. Loosen the knob (B).
2. Slide the footplate (A) in the desired position.
3. Tighten the knob (B) securely.

Note!

Make sure that there is sufficient free space under the footplate to operate the wheelchair over obstacles



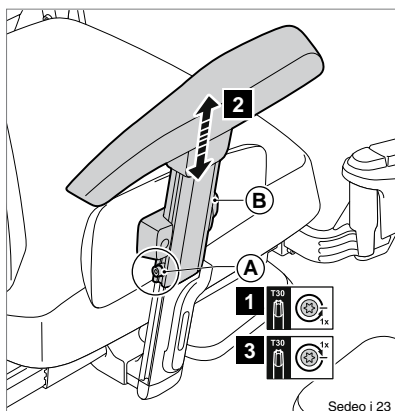
5.9 Armrest assembly

Armrest height

1. Loosen (A) by one turn.
2. Adjust (B) to the desired position.
3. Tighten (A).

Note!

Ensure that the arms are supported well, without the shoulders being pushed upwards.

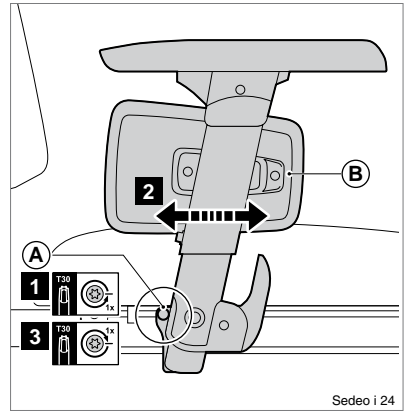


Armrest depth

1. Loosen (A) by one turn.
2. Slide (B) into the desired position.
3. Tighten (A).

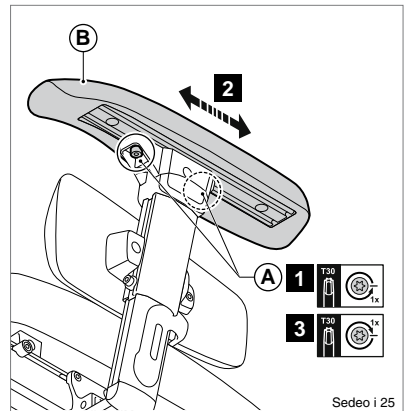
Note!

Position the armrest further back in order to obtain more space for transfers.



Armrest depth

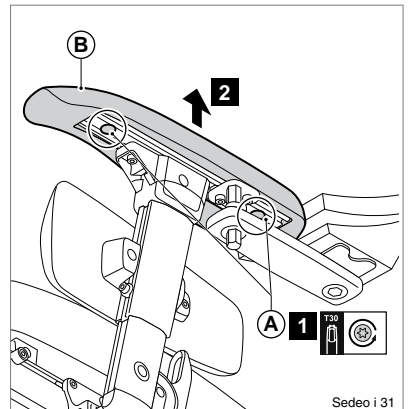
1. Loosen (A) by one turn.
2. Slide (B) into the desired position.
3. Tighten (A).



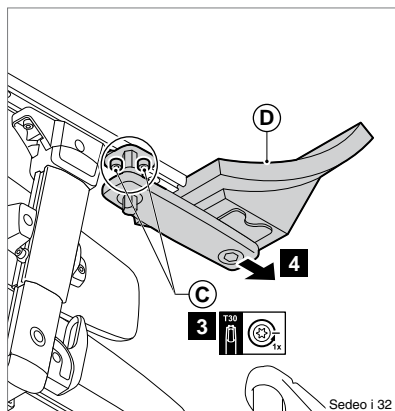
Armrest width, with or without controller bracket

To remove:

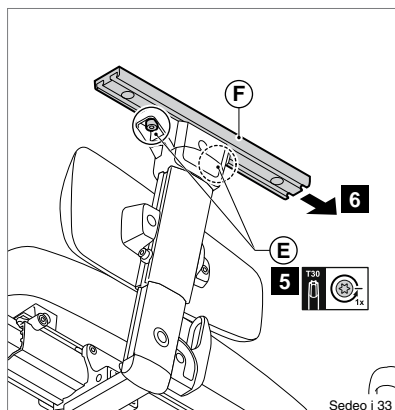
1. Loosen (A).
2. Remove (B).



3. If applicable, loosen (C) by one turn.
4. Remove (D) if applicable.



5. Loosen (E) by one turn.
6. Remove (F).

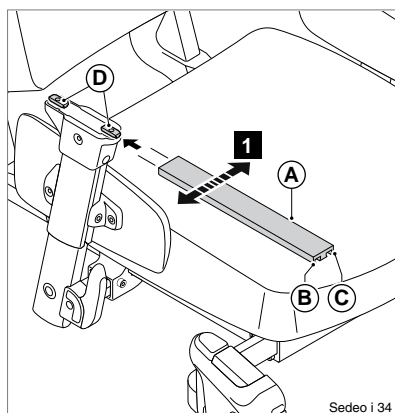


To position:

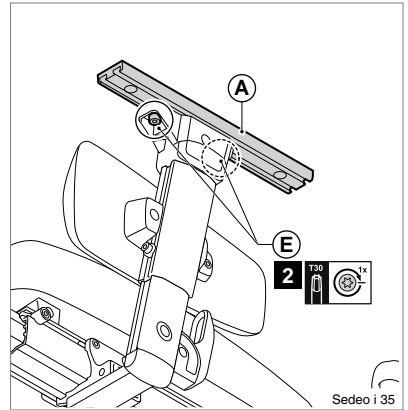
1. Slide (A) together with (B) or (C) onto (D).

Note!

Ensure that the ridge on the terminal block falls into the opening

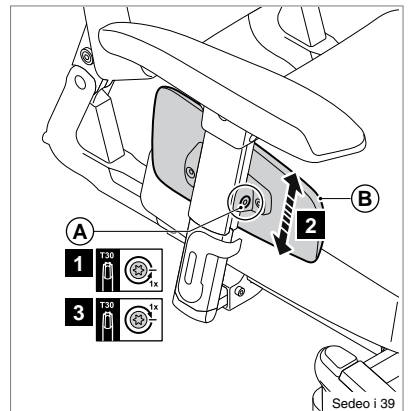


2. Adjust the depth of (A) and tighten (E).
3. Position the controller bracket.
4. Position the armrest.



Side panel height

1. Loosen (A) by one turn.
2. Adjust (B) to the desired position.
3. Tighten (A).



5.10 Adjusting the centre of gravity



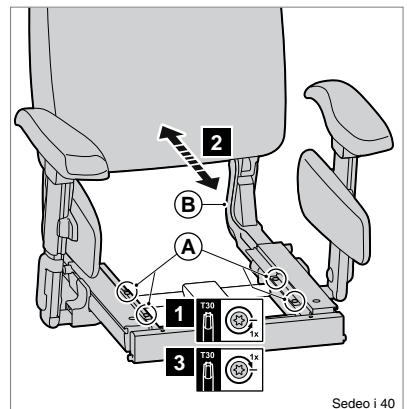
Warning!

The stability of the wheelchair is influenced by the adjustment of the seating system's centre of gravity. Such adjustments should be made by professionals only.

1. Loosen (A) by one turn.
2. Slide (B) forwards or backwards.
3. Tighten (A).

Note!

If the user's weight distribution is average, then the centre of gravity should be adjusted to the same setting as the seat depth.

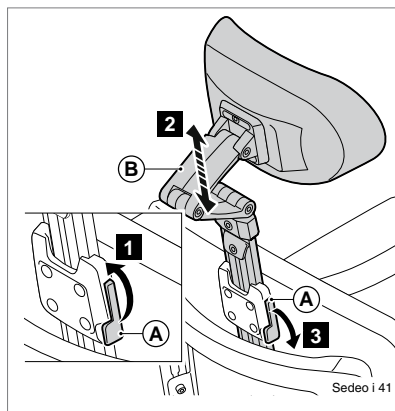


For better sliding release the seat depth adjustment

5.11 Headrest

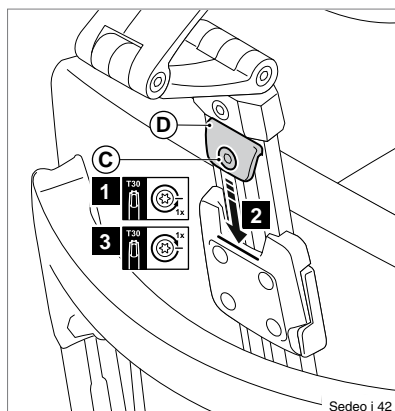
Headrest height

1. Lift (A).
2. Slide (B) into the desired position.
3. Push (A) down.



Adjusting the memory setting

1. Loosen (C) by one turn.
2. Slide (D) as far down as possible.
3. Tighten (C).

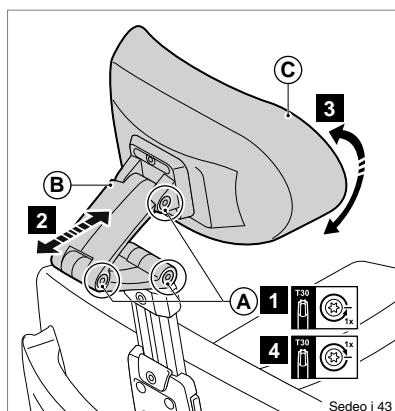


Headrest position

1. Loosen (A) by one turn.
2. Adjust (B) to the desired position.
3. Tighten (A).

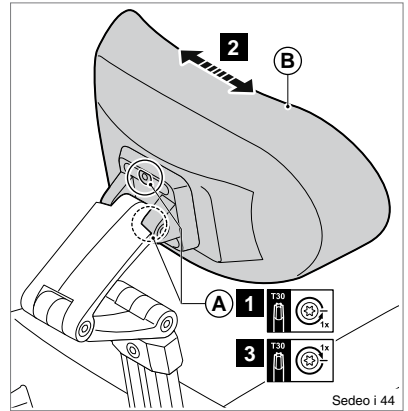
Note!

Correct the headrest height and tilt the headrest cushion as required.



Headrest cushion width

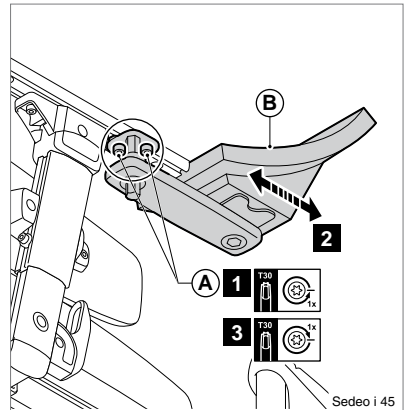
1. Loosen (A) by one turn.
2. Slide (B) into the desired position.
3. Tighten (A).



5.12 Fixed / swing-away controller bracket

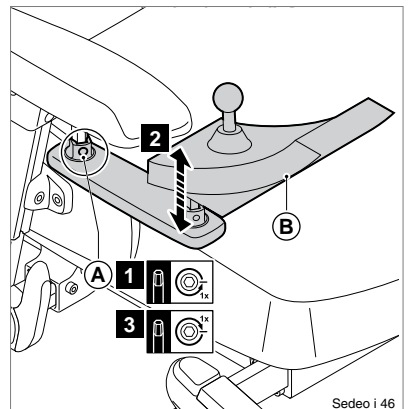
Depth

1. Loosen (A) by one turn.
2. Slide (B) into the desired position.
3. Tighten (A).



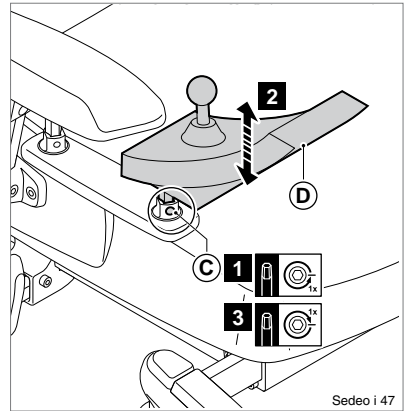
Height (1)

1. Loosen (A) by one turn.
2. Slide (B) into the desired position.
3. Tighten (A).



Height (2)

1. Loosen (C) by one turn.
2. Slide (D) into the desired position.
3. Tighten (C).

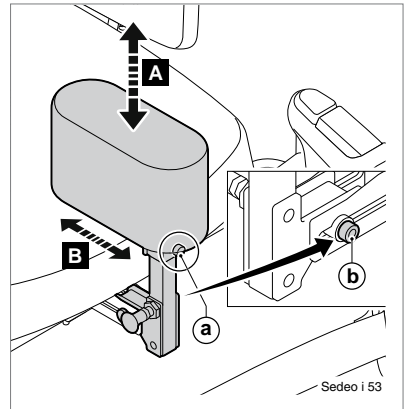


5.13 Abduction support

Adjust the abduction support as follows:

1. Loosen the Torx screw.
2. Adjust the part to the desired position.
3. Tighten the Torx screw.

A/a. Height adjustment.
B/b. Depth adjustment.

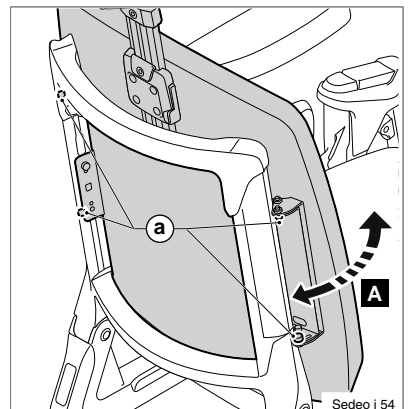


5.14 Backrest with adjustable straps - flexible

The sides of the backrest with adjustable straps can be adjusted as follows:

1. Loosen the four Torx screws.
2. Adjust the sides to the desired position.
3. Tighten the four Torx screws.

A/a. Angle adjustment.

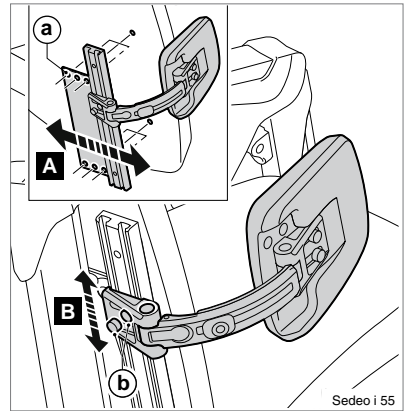


5.15 Thoracic support

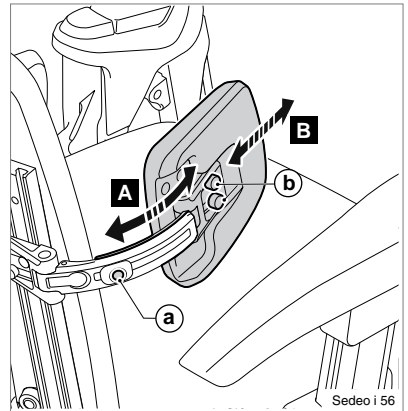
Adjust the thoracic support as follows:

1. Loosen the Torx screw.
2. Adjust the part to the desired position.
3. Tighten the Torx screw.

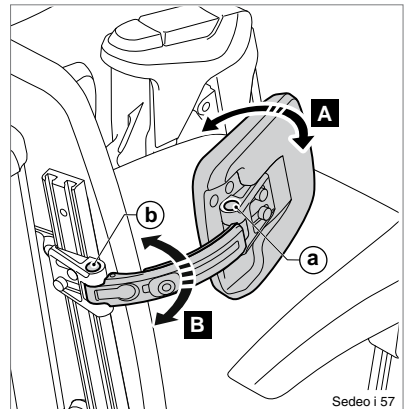
- A/a. Rough adjustment of width
 B/b. Height adjustment



- A/a. Adjustment of bracket depth
 B/b. Adjustment of cushion depth



- A/a. Adjustment of cushion angle
 B/b. Fine adjustment of width

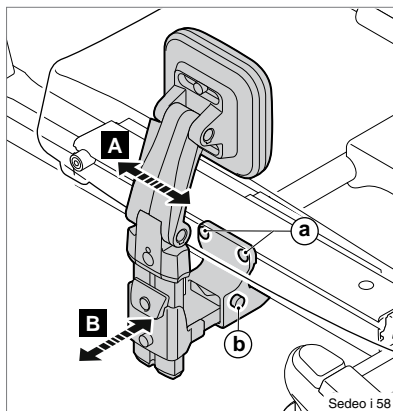


5.16 Thigh support

Adjust the thigh support as follows:

1. Loosen the Torx screw.
2. Adjust the part to the desired position.
3. Tighten the Torx screw.

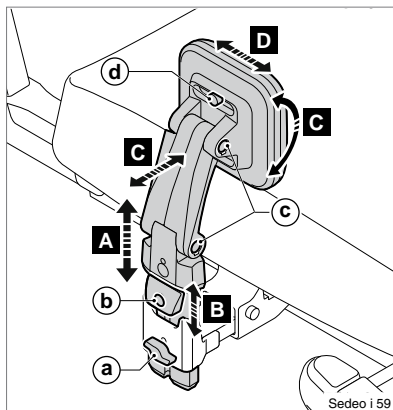
- A/a. Depth adjustment
 B/b. Width adjustment



- A/a. Height adjustment
 B/b. Memory setting adjustment
 C/c. Bracket position adjustment
 D/d. Cushion position adjustment

Tip!

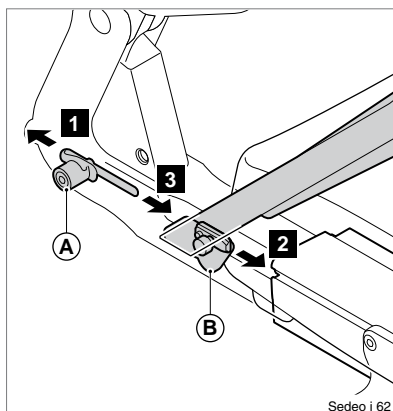
The height adjustment can be fixed using the memory setting.



5.17 Attaching the lap strap

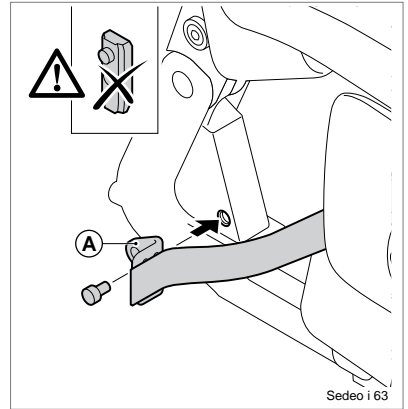
Attaching to the slider

1. Loosen 2x (A) and remove (A) from the left-hand and right-hand sliders.
2. Place (B) in the sliders and tighten in the desired position.
3. Position 2 x (A) back in the sliders and tighten (A).



Attaching to the seating frame

1. Attach (A) to the seating frame using a screw on the left and on the right.

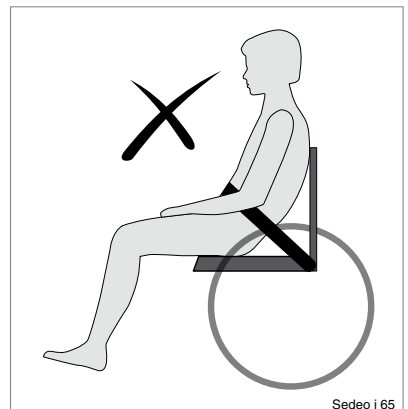
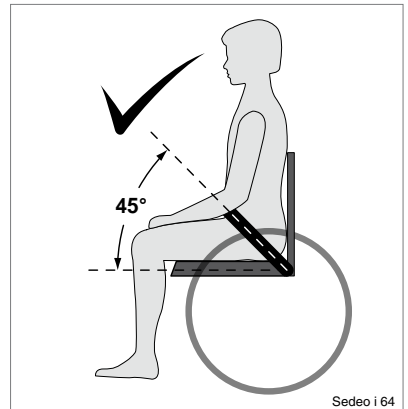
**Warning!**

Ensure that the lap strap is adjusted to the wheelchair user. The strap must fit snugly across the hips at an angle of approximately 45°.

Ensure that the strap is clean at all times and that the locking mechanism is working properly. The strap and the locking mechanism can be cleaned using a damp cloth.

If the strap is positioned above the hips and across the soft part of the user's belly, then this can result in seating posture being incorrect and the user slumping in the seat.

Never use the lap strap as a seatbelt when using transport.



6 Maintenance

It is recommended that you have your wheelchair serviced by your dealer once a year or, in the case of intensive use, once every six months.

6.1 Cleaning the upholstery

Clean the upholstery using a damp cloth and household soap. Then rub dry using a soft, dry cloth.

PU parts

Clean the armrests, side cushions etc. using a damp cloth and household soap. Then dry the parts using a soft cloth.

Seat and backrest cushion upholstery

Follow the washing instructions on the covers:
For the incontinence cover see figure 1.
For the comfort cover see figure 2.

Warning!


Do not use organic solvents such as thinner, benzine or white spirit.

Do not chemically clean the upholstery. Do not iron or spin-dry the upholstery.

Stretch Rubber
58% Knitted Polyester
42 % FR Polyurethane

Fabric
Backing 100% Polyester
Coating 100% PVC

Care instructions
Do not use cleaning materials that contain solvents




9005849  handicare

Figure 1

Stretch Fabric
35% Polyester
65% Dioleén Safe

Fabric
Backing 100% Polyester
Coating 100% PVC

Care instructions
Do not use cleaning materials that contain solvents




9005850  handicare

Figure 2

7 Troubleshooting

If there is a problem with your seating system, contact your dealer.

8 Specifications

8.1 CE declaration of conformity



The product is in conformity with the provisions of the Medical Devices Directive and carries the CE mark.

The product also meets the following requirements and standards. This has been verified by independent test organizations.

1. EN 12183 (2009) Manual wheelchairs or EN 12184 (2009) Electrically powered wheelchairs.
2. ISO 7176-8 Requirements for impact, static and fatigue strength.
3. ISO 7176-9 Climatic tests for electric wheelchairs and scooters.
4. ISO 7176-16 Requirements for resistance to ignition of upholstered parts.
5. ISO 7176-19 Crash test.
6. EN-ISO 10993-5 (1999-11) Biological evaluation of medical devices.
7. EN 1021 1,2 Assessment of the ignitability of upholstered furniture. Ignition source: smouldering cigarette/match flame equivalent.


8.2 Technical information

Seating system	
User Weight	160 kg
Seat width	400 - 540 mm (option 520 - 680 mm)
Seat depth	420 - 600 mm
Point of gravity	95 mm
Seat	
Seat cushion depth position	-20 mm / 0 / +20mm
Backrest	
Backrest height	500 - 640 mm
Backrest angle	89 - 128°
Backrest recline (option)	89 - 128°
Armrest	
Armrest pad width	-20 / 0 mm per side
Armrest pad height	170 - 290 mm (option 270 - 390 mm)
Armrest depth	80 mm
Armrest pad depth	controller bracket side 50 mm non controller bracket side 160 mm
Side support	
Side cushion height	65 mm
Central legrest	
Lower leg length	350 - 515 mm
Knee angle	30 - 110°
Ankle angle	+20° till -40°
Central calf support height (option)	120 mm

Manually elevating central legrest	
Lower leg length	430 - 550 mm
Knee angle	35 - 95°
Standard legrest (set)	
Lower leg length	360 - 530 mm
Knee angle	70°
Ankle angle	0 - 180°
Elevating and electrical elevating legrest (set)	
Lower leg length	360 - 540 mm
Knee angle	70 - 0°
Ankle angle	0 - 180°
Calf support height	120 mm
Headrest	
Headrest height (memory)	170 mm
Headrest depth	180 mm
Headrest vertical angle	-45° - 45°
Headrest width (option)	standard head rest -20 - 20 mm width adjustable head rest -110 - 110 mm
Controller bracket	
Controller bracket height	60 mm
Controller bracket depth	35 mm
Controller bracket swing away	
Controller bracket height	50 mm
Controller bracket depth	35 mm
Controller position angle	0 - 45°
Pushbar	
Pushbar height	185 mm
Hemiplegia	
Hemiplegia armrest angle (option)	0 - 45°
Abduction support	
Abduction support height	60 - 120 mm
Abduction support depth	60 - 110 mm
Thoracic support	
Thoracic support width	-60 - 0 mm
Thoracic support height	200 - 400 mm
Thoracic support depth	20 - 70 mm

9. Provisions of warranty

The provisions of warranty and liability applicable to the seating system are identical to those incorporated in the wheelchair manual.

( Wheelchair)

Dealer:

Serienummer:



handicare

Handicare B.V.
Vossenbeemd 104
5705 CL Helmond
The Netherlands

T +31 (0)492 533 888
F +31 (0)492 537 931
www.handicare.com