



## Installation Instructions

### T-Tap Power Connector for Harley-Davidson

The T-Tap Power Connector is designed for connecting accessory (switched ignition) power to the Cycle Sounds® 2-pin Power Harness on most HD motorcycles. We have both T-Tap models available: (p/n: 2120-0026 fits most Harley-Davidson 1999 to present – p/n: 2120-0027 fits Sportster 2007 to current).

#### Parts List:

- (1) T-Tap Power Connector
- (1) 2-Pin Female Connector

#### STEP 1: Connect the 2-Pin Female Connector to the Power Harness Supplied in Cycle Sounds Speaker Kits

Connect the T-Tap 2-Pin Female Connector (**figure 1**) to the Power Harness by first lifting the keeper door on the 2-pin connector included with the T-Tap. Insert each wire as shown in **figure 1** making sure to keep the orientation of the wires correct before locking the pin in place. ***It is critical that the red and black wires match up*** as shown when connected (**figure 2**) because it ***requires a terminal removal tool to detach these pins once they are locked*** in place. If these wires don't match up your system will not function properly. When the terminal connector on the power harness is inserted correctly it will snap and lock in place to keep it from pulling out. The pin **must** snap into the connector for the proper connection to be made. If it does not try flipping the wire over so the pin is in the opposite orientation to the connector and reinsert. Once the pins are locked in place and won't pull out close the keeper door.

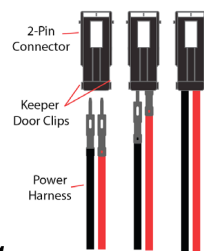


Fig. 1

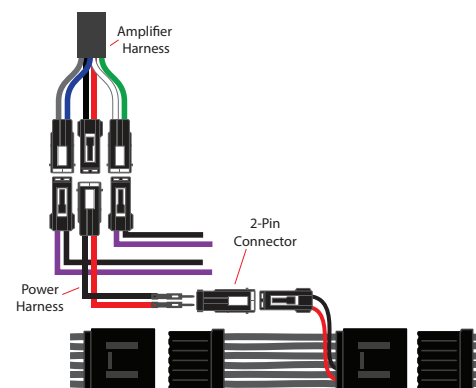


Fig. 2

#### STEP-2: Connect the Amp Power Harness to the T-Tap Quick Connector

Connect the Female 2-Pin Connector that was attached in Step-1 to the Male connector already attached to the T-Tap (**shown in figure 2**). Make sure the red and black wires line up across the connectors as shown or your system will not function properly. **Note: Figure 2** shows a complete diagram of the T-Tap installation including Cycle Sounds Power and Amplifier Harness Wiring.

#### STEP-3: Connect the T-Tap to OEM Accessory Power Connector on Bike

Generally the accessory power connector is located underneath the seat and near the battery, but this may vary depending on your model. Consult your local shop or factory service manual if you have trouble locating this connector. Once you have located the connector on the bike, unplug it and insert the T-Tap in-line to complete the T-Tap installation.

#### Cycle Sounds® LLC

Toll Free: 1(866) 427-2346

Office: (816) 525-2628

275 NW Victoria Drive

Lee's Summit, Missouri 64086

For technical support please email [support@cyclesounds.com](mailto:support@cyclesounds.com).