

Spicer® TPCS
(Tire Pressure Control System)

SPICER®



Illustrated Parts List

Spicer® TPCS

AXIP-0107

September 2007



<u>Contents</u>	<u>Page</u>
TPC System and Components	1
Steer Axle Components	2-3
Drive End Components	4
Drive Axle Components	5
Drive Axle Wheel Hubs	6
Drive Axle Wheel Hub Components	7
Trailer Components	8-9
Hub Cap Components	10
Wheel Valve and Operator Control Panel Components	11
Pneumatic Control Repair Kits and Components	12-13
Index - Numerical Listing	14-15

How To Order Parts

Category - Indicates parts groups from which to order components for a new installation

Items - Matched to parts on illustration

Category

Item

D

1
7
8
10

Part No. - Parts that are "left justified" in the column may be ordered. (Numbers that are in **Bold** type are kits that may be ordered)

Description - Identifies the component

Part No.

Description

217557
673425
673707
599993

Trailer Axle Inlet tube kit
Speed sensor, Bifilar
Speed sensor, Single coil
Ring, retaining flap

Notes - Key information (i.e. items contained in a kit)

Notes

Includes items 13 thru 16

NSS

NSS - Not Sold Separately

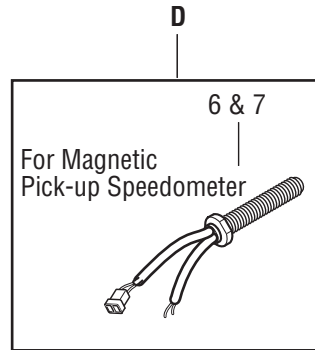
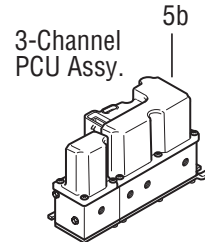
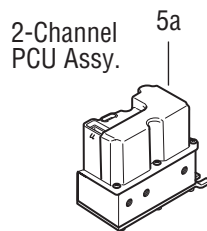
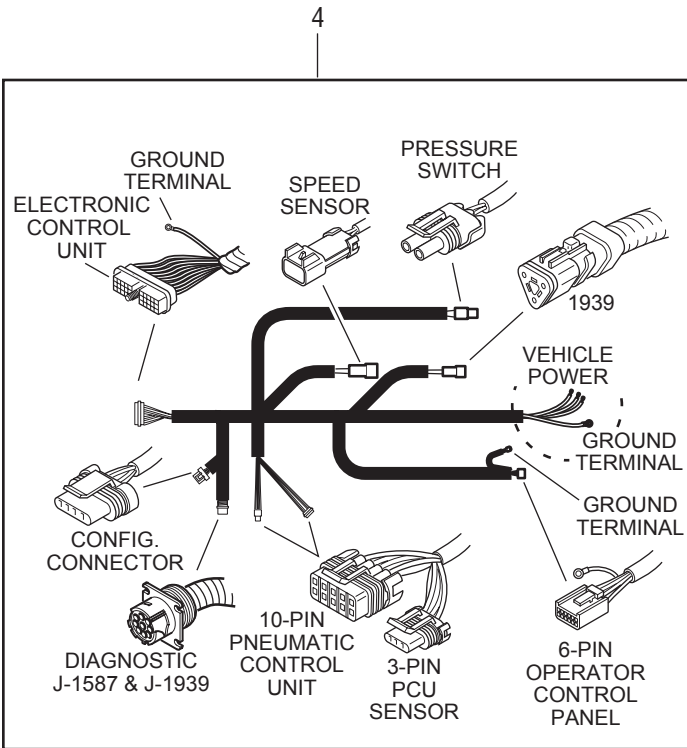
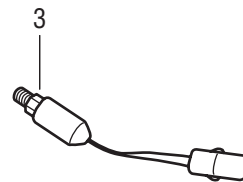
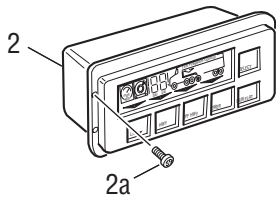
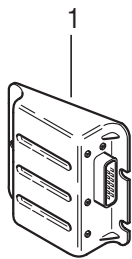
Part No. - Parts that are "right justified" in the column cannot be ordered separately.

Note: Always replace parts with same as original part.

Every effort has been made to ensure the accuracy of this publication. However, Dana Spicer Heavy Axle & Brake Division makes no expressed or implied warranty representation based on the information contained in this publication. Any errors or omissions may be reported to Technical Publications, Dana Corporation, P.O. Box 4097, Kalamazoo, MI 49003-4097



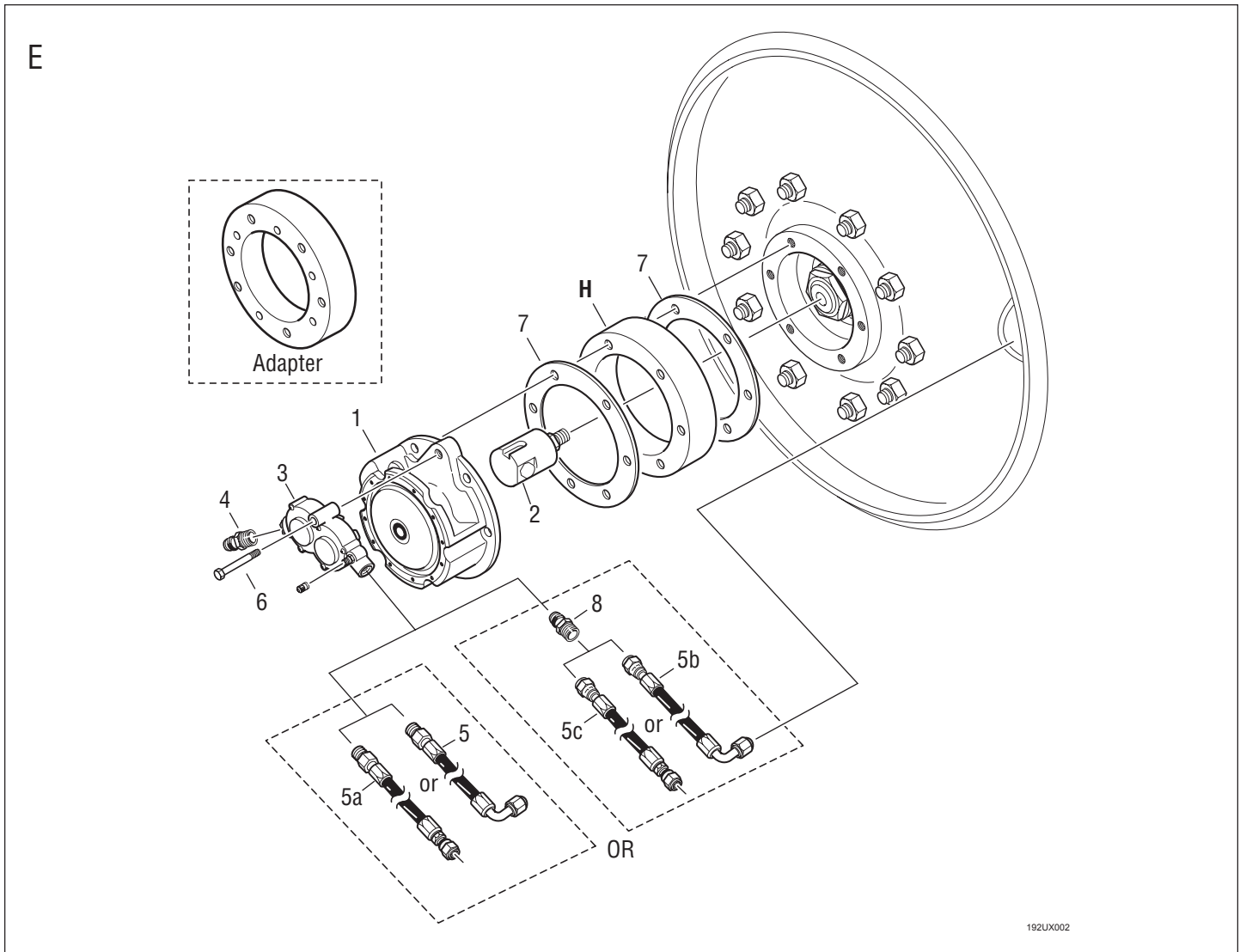
Category	Item	Part No.	Description	Notes
	1	676252	Electronic Control Unit (ECU)	
	2	673306	Operator Control Panel (OCP)	
	2a	673633	Screw #6 - 19	
	3	673345	Pressure Switch	
	4	676237	Wiring Harness Assembly	OEM installations may use OEM supplied harness
	5a	673316	PCU Assembly 2 channel	See page 13 for repair kits and components
	5b	673336	PCU Assembly 3 channel	See page 13 for repair kits and components
D	6	673425	Speed Sensor, Bifilar	Variable reluctance sensor with two outputs
	7	673707	Speed Sensor, Single Coil	Variable reluctance sensor with one output





Steer Axle Components

Category	Item	Part No.	Description	Notes
E	1	673526	Hub Cap assembly - with vent plug	See page 10 & 11 for repair kits and components O-ring NSS; use size -906 (.468x.078"), source locally See page 11 for repair kits and components See page 11 for O-rings O-rings NSS; use size -906 (.468 x .078) source locally O-rings NSS; use size -906 (.468 x .078) source locally 90° tire end hose - swivel both ends Straight end tire hose - swivel both ends NSS, 5/16-24 x 2.25 O-ring NSS, use size -906 from local sources
	2	673404	Rotary joint	
	3	673480	Wheel valve assembly	
	4	673524	Fitting	
	5	673925	Hose assembly, 90° tire end	
	5a	673390	Hose assembly - straight	
	5b	676356	Hose assembly	
	5c	676357	Hose assembly	
H	673536	Spacer, .25 inches	Spacer fits hubs with 5.50 & 5.56 x 6 bolt circles	
	673500	Spacer, .483 inches	Spacer fits hubs with 5.50 & 5.56 x 6 bolt circles	
	673501	Spacer, .750 inches	Spacer fits hubs with 5.50 & 5.56 x 6 bolt circles	
	673502	Spacer, .875 inches	Spacer fits hubs with 5.50 & 5.56 x 6 bolt circles	
	673538	Spacer, 1.013 inches	Spacer fits hubs with 5.50 & 5.56 x 6 bolt circles	
	673597	Spacer, 1.125 inches	Spacer fits hubs with 5.50 & 5.56 x 6 bolt circles	
	673873	Adapter (4.50 to 5.50 bolt circle)	Adapts 4.50 x 6 bolt circle hub to TPCS hubcap (.875" thick)	



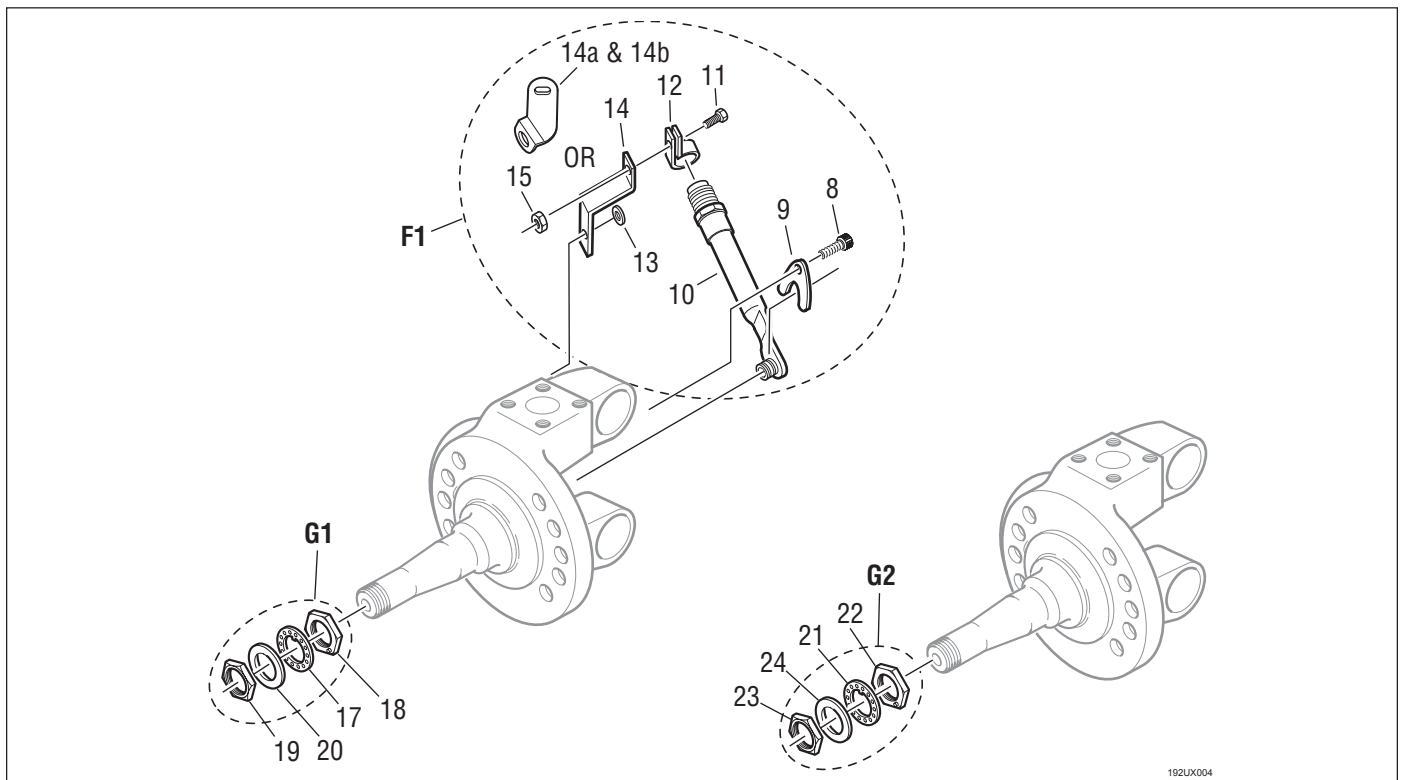
192UX002



Category	Item	Part No.	Description	Notes	
F1			Inlet tube kit	Include items 8 thru 15	
	8	126921	Screw, retaining socket head		
	9	599830	Retainer		
	10	673475	Inlet tube 37° .625-18 UN-2A	O-ring size -015 (.551 x .070), 2 pcs. source locally	
	10a	673916	Inlet tube 45° .625-18 UN-2A	O-ring size -015 (.551 x .070), 2 pcs. source locally	
	11	42568	Screw, clamp		
	12	673498	Clamp		
	13	821335	Washer		
	14	673497	Bracket		
	14a	676254	Left hand bracket (forward facing inlet tube)		
	14b	676291	Right hand bracket (forward facing inlet tube)		
	15	X9300	Nut		
	G1			Spindle nut, 20F4	Include items 17 thru 20
		17	673527	Washer, spindle, keyed	
		18	673528	Nut, inner	
19		673529	Nut, outer		
20		673530	Washer, retainer, dimpled		
G2			Spindle nut, for E-146 2I/W and similar		
	21	815623	Washer, spindle, keyed		
	22	815622	Nut, inner		
	23	815638	Nut, outer		
	24	817134	Washer, retainer, dimpled		
		128333	Spindle nut, ProTorq style	Not shown. Alternate to 4 piece; fits E1200I series	

Notes: Inlet tubes, category F, are used to route air between knuckle and beam. Buyer must determine suitability for use with steer axles not supplied by Dana Corporation. For use of Tire Pressure Controls with driving steer axles, consult supplier for seal availability. Wheel retention hardware that uses a cotter pin cannot be used with Tire Pressure Control. Select from category G options for wheel retention hardware.

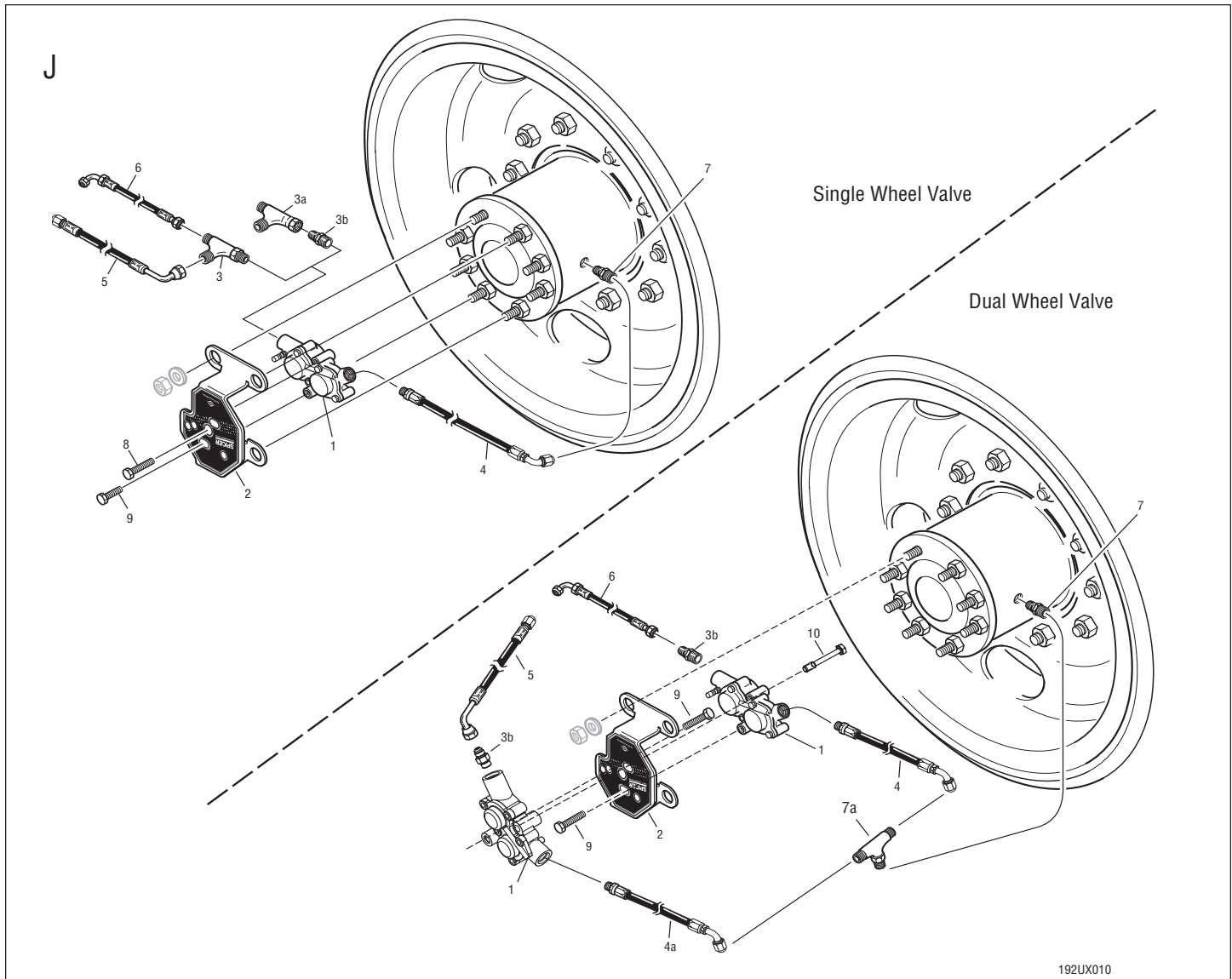
Dana integral arm steer axles (E1200I, E1320I, E1460I) do not use inlet tube.





Drive End Components

Category	Item	Part No.	Description	Notes
J			Drive wheel end	
	1	673480	Wheel valve assembly	See page 11 for repair kits and components
	2	673931	Bracket	
	3	673383	Tee fitting	O-ring NSS, use size -906 from local sources
	3a	676355	Tee fitting - swivel nut	O-ring NSS, use size -906 from local sources
	3b	673386	Fitting - 9/16-18 straight thread	O-ring NSS, use size -906 from local sources
	4	673393	Hose, control	O-ring NSS, use size -906 from local sources
	4a	676215	Hose, control (Dual WV)	
	5	673537	Hose, inner	
	6	673392	Hose, outer	
	7	673616	Fitting - 3/8-18 NPT to 9/16-18 37° flare	
	7a	673875	Fitting, T-hub control to wheel valve - female swivel (Dual WV)	
	8	X8679	Fastener	NSS, 3/8-16 x 1.75
	9	127110	Fastener	
	10	676216	Fastener - 3/8-16, reduced diameter shank	NSS, 3/8-16 x 1

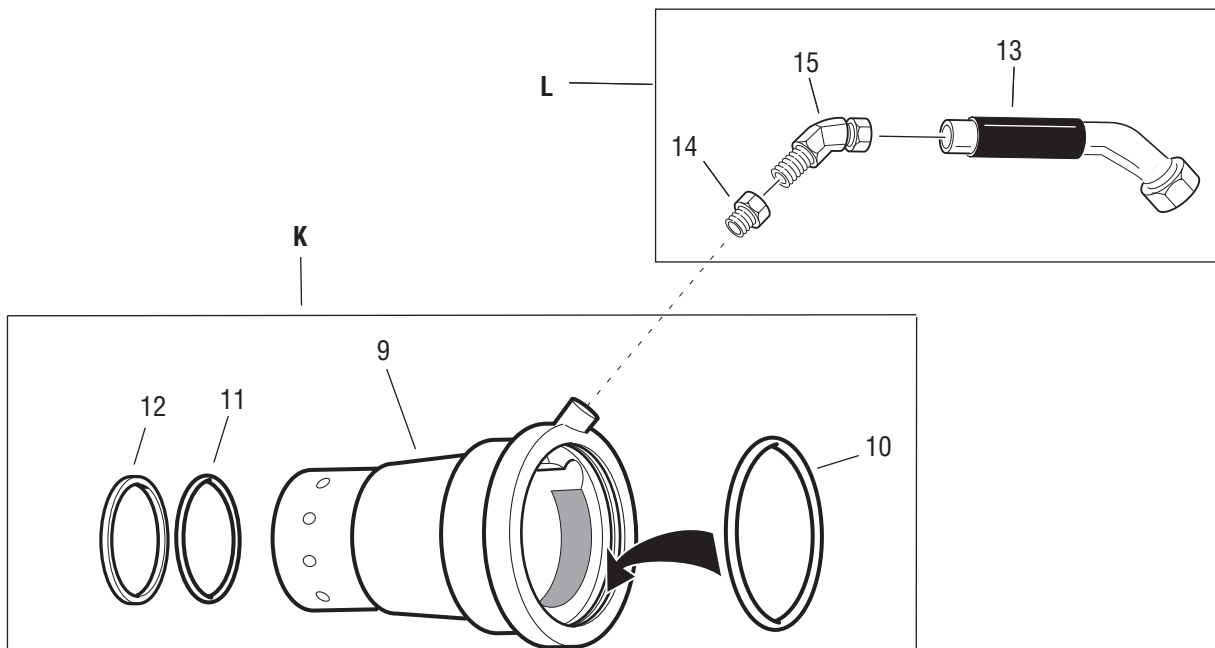


192UX010



Category	Item	Part No.	Description	Notes
K	9	673451	Sleeve, drive axle, R spindle	
	10	599960	Sleeve	
	11	599961	O-ring, inner	
	12	599962	O-ring, outer	
	12	599962	Square ring, backing	
L1	508485		Inlet tube, drive axle sleeve	Fits axles with 8.25 bolt circle diameter brake flange (Includes items 13 thru 15)
	13	673918	Tube assembly, inlet	NSS
	14	673691	Bushing, reducer	NSS
	15	673692	Fitting assembly	NSS, 45°, 1/4P male to 3/8 tube - Flareless compression
L2	508484		Inlet tube, drive axle sleeve	Fits axles with 7.25 bolt circle diameter brake flange (Includes items 13 and 15)
	13	673918	Tube assembly, inlet	
	15	673617	Fitting assembly	45°, 3/8 P male to 3/8 tube - Flareless compression
L3	217556		Inlet tube, drive axle sleeve	For military applications with 8.25 dia. bolt circle (Includes items 13 and 15)
	13	673668	Tube assembly, inlet	NSS
	15	673687	Fitting assembly	NSS, 45° 3/8 P male to 1/2" tube, flareless compression
		676296	ABS adapter block	For use with 2 piece sensor blocks

Note: Sleeve hardware is designed to fit Dana drive axle “R” style spindle configuration. Buyer must determine suitability of hardware for “R” spindle applications other than those of Dana manufacturer. Sleeves may be supplied with axle as part of an OEM specification for axle products. Inlet tube connects sleeve with control hose inboard of brake flange (control hose and other chassis hoses supplied by installer). Buyer must determine appropriate inlet tube for the application. Brake spider must be installed prior to inlet tube installation. Some installations may use inlet tubes with alternate fitting configurations. Hose ends should be updated to mate with replacement inlet tubes.





Drive Axle Wheel Hubs

HUB PILOTED WHEELS

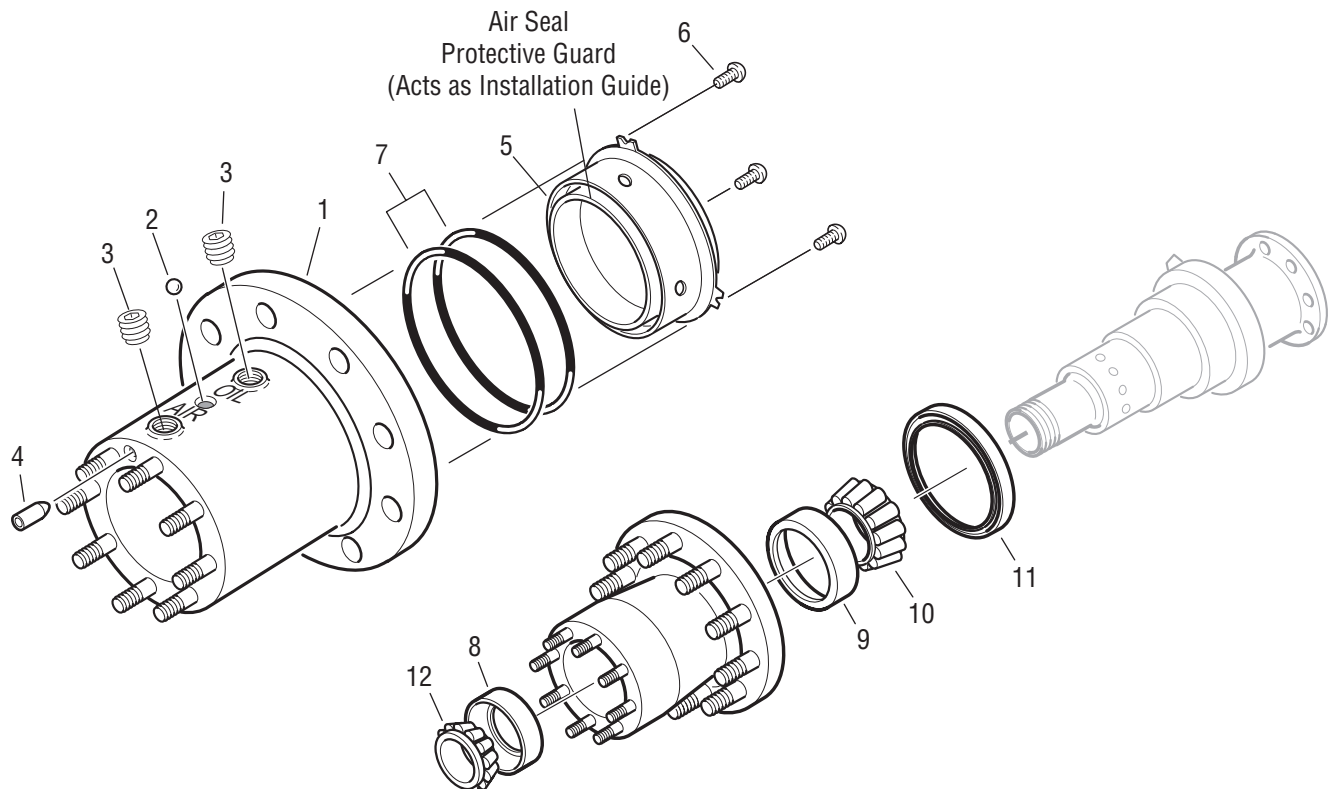
Wheel Configuration	Wheel Type	Drum Type	Stud Length	HUB PILOTED WHEELS			
				Without Tone Wheels	With Tone Wheels		
Single	Steel	Cast	3.50"	673712 (A)			
Single	Steel	Fused		673818 (B)			
Single	Alum.	Fused		673882 (C)			
Dual	Steel	Fused	3.94"	673347 (A)			
Dual	Steel	Cast		673733 (A)			
Dual	Steel/Alum.	Fused		673819 (B)			
Single	Alum.	Cast		673883 (C)			
Single	1-1/8 Alum.	Cast/Fused	4.32"	673887 (C)			
Dual	Alum.	Fused		673349 (A)			
Dual	Alum.	Fused		673736 (A)			
Dual	Alum.	Cast	4.79"	673820 (B)			
Dual	Alum.	Cast		673824 (B)			
Dual	Steel/Alum.	Cast		673884 (C)			
Dual	Alum.	Cast	4.79"	673351 (A)			
Dual	Steel/Alum.	Cast		673739 (A)			
Dual	Steel/Alum.	Cast		673821 (B)			
				STUD PILOTED WHEELS			
				Left	Right	Left	Right
Dual	Steel	Fused	2.60"	673353 (A)	673355 (A)	673742 (A)	673745 (A)
Dual	Alum.	Fused		673826 (B)	673827 (B)	673832 (B)	673833 (B)
Dual	Alum.	Fused		673890 (C)	673891 (C)	673896 (C)	673897 (C)
Dual	Steel	Cast	2.85"	673447 (A)	673446 (A)	673751 (A)	673754 (A)
Dual	Alum.	Cast		673828 (B)	673829 (B)	673834 (B)	673835 (B)
Single	Steel	Fused		673892 (C)	673893 (C)	673898 (C)	673899 (C)
Single	Alum.	Fused	3.21"	673449 (A)		673751 (A)	
Single	Steel/Alum.	Cast		673450 (A)		673760 (A)	
Single	Alum.	Cast		673830 (B)		673836 (B)	
Single	1-1/8 Alum.	Cast/Fused		673885 (C)		673889 (C)	
Single	1-1/8 Alum.	Cast/Fused		673894 (C)	673895 (C)	673900 (C)	673901 (C)

Notes: Category "M" hubs include items 1-11 on page 6.
 All parts on this page may be ordered individually.
 Hubs are complete with wheel studs, inner bearing, and oil seal.
 Subtract .97 from stud length to determine useable thread length on hub.

A = Long Hub (5/8 Axle Shaft Drive Stud) Configuration
 B = Short Hub (5/8 Axle Shaft Drive Stud) Configuration
 C = Short Hub (3/4 Axle Shaft Drive Stud) Configuration



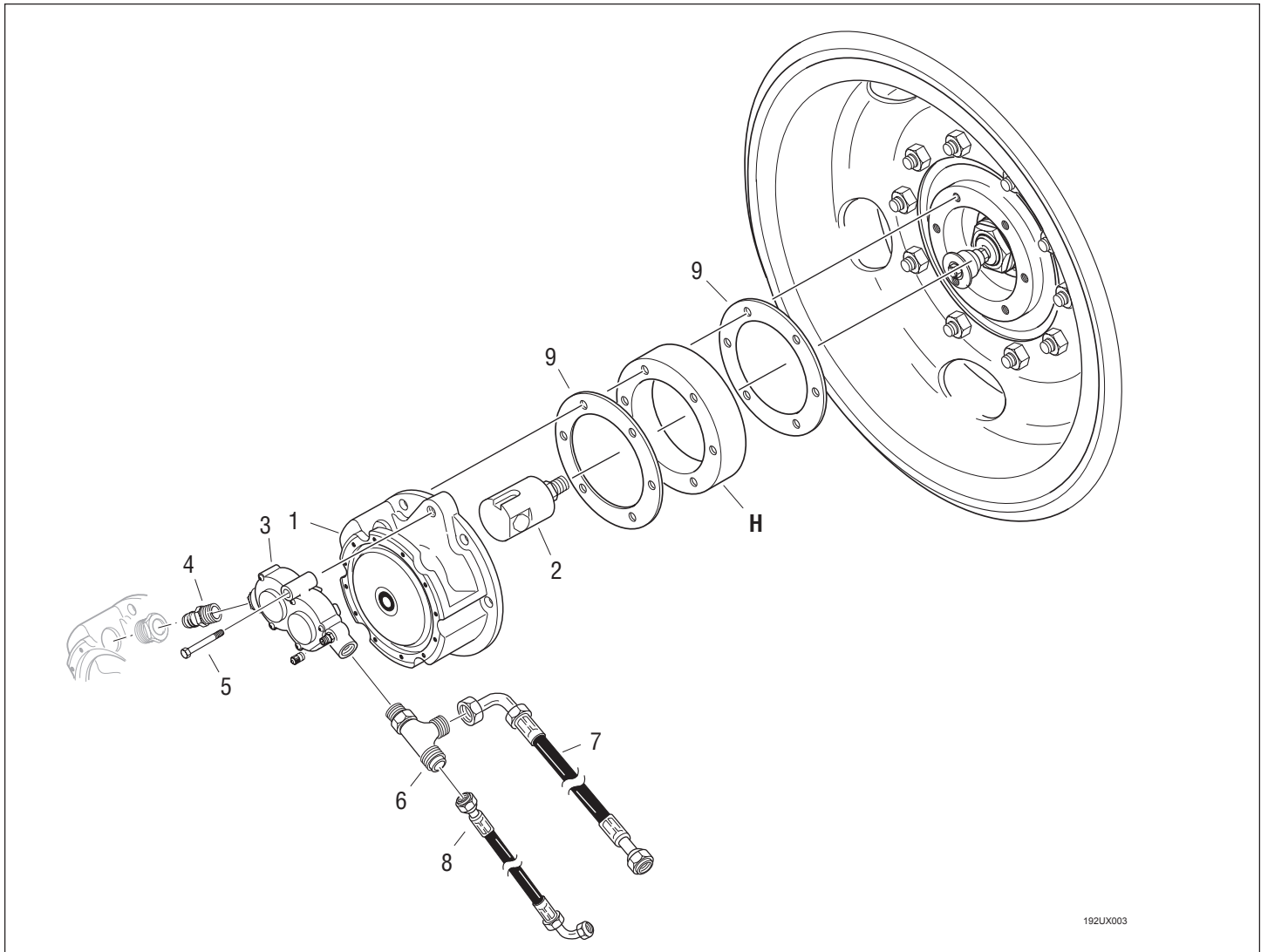
Category	Item	Part No.	Description	Notes
M		217417	Hub & seal assembly - Long, 5/8" drive stud	Includes 1 thru 9; does not include bearing or oil seal
		219717	Hub & seal assembly - Long, ABS, 5/8" drive stud	Includes 1 thru 9; does not include bearing or oil seal
		219718	Hub & seal assembly - Short, 5/8" drive stud	Includes 1 thru 9; does not include bearing or oil seal
		219719	Hub & seal assembly - Short, ABS, 5/8" drive stud	Includes 1 thru 9; does not include bearing or oil seal
		508482	Hub & seal assembly - Short, 3/4" drive stud	Includes 1 thru 9; does not include bearing or oil seal
		508483	Hub & seal assembly - Short, ABS, 3/4" drive stud	Includes 1 thru 9; does not include bearing or oil seal
	1	673359	Long Hub, 5/8" drive stud	NSS
		673839	Long hub, ABS, 5/8" drive stud	NSS
		673840	Short hub, 5/8" drive stud	NSS
		673841	Short hub, ABS 5/8" drive stud	NSS
		673880	Short hub, 3/4" drive stud	NSS
		673881	Short hub, ABS, 3/4" drive stud	NSS
2	X14700	Ball	NSS	
3	90897	Plug, pipe square socket 3/8-18	NSS	
4	673358	Plug, air passage	NSS	
5	673305	Seal & retainer assembly		
6	673362	Capscrew, #8-32 x .50		
7	599963	O-ring		
8	90955	Bearing cup, outer		
	128766	Bearing assembly, inner	Includes items 9 - 10	
9	127712	Bearing cup, inner		
10	127713	Bearing cone, inner		
11	673301	Seal, oil bath, outrunner type		
12	34368	Bearing cone, outer	Not included in kits	
	817282	Brake drum, cast type	Not shown	
	813065	Brake drum, Centrifuse® type	Not shown	
	810812	Wheel nut, metric, hub piloted wheel	Not shown	
	091306	Wheel nut, left, inch, stud pilot wheel	Not shown	
	091307	Wheel nut, right, inch, stud pilot wheel	Not shown	





Trailer Components

Category	Item	Part No.	Description	Notes
N1			Trailer wheel end	
	1	673526	Hub Cap assembly - with check valve	See page 10 & 11 for repair kits and components O-ring - NSS, Use size -906 from local sources See page 11 for repair kits and components O-ring - NSS, Use size -906 from local sources 5/16"-24 x 2.25 O-ring NSS
	2	673404	Rotary joint	
	3	673480	Wheel valve assembly	
	4	673524	Fitting	
	5	673613	Capscrew	
	6	673383	Tee fitting	
	7	673537	Hose, inner	
	8	673392	Hose, outer	
	9	1008569	Gasket	

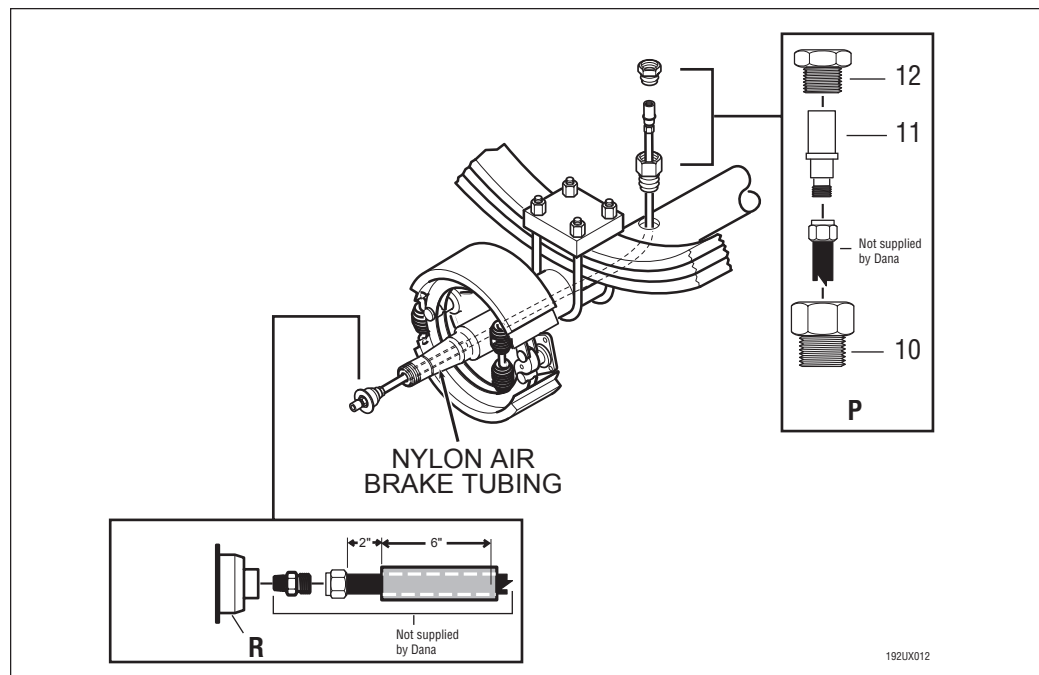
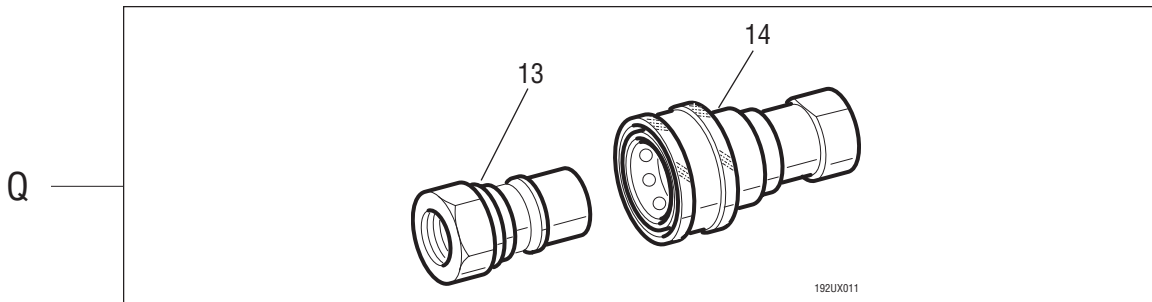


192LUX003



Category	Item	Part No.	Description	Notes
H		673536	Spacer, .25 inches	Spacer fits hubs with 5.50 & 5.56 x 6 bolt circles
		673500	Spacer, .483 inches	Spacer fits hubs with 5.50 & 5.56 x 6 bolt circles
		673501	Spacer, .750 inches	Spacer fits hubs with 5.50 & 5.56 x 6 bolt circles
		673502	Spacer, .875 inches	Spacer fits hubs with 5.50 & 5.56 x 6 bolt circles
		673538	Spacer, 1.013 inches	Spacer fits hubs with 5.50 & 5.56 x 6 bolt circles
		673597	Spacer, 1.125 inches	Spacer fits hubs with 5.50 & 5.56 x 6 bolt circles
P		217557	Trailer axle air inlet kit	Includes items 10 thru 12
	10	673515	Adapter	NSS
	11	673516	Connector	NSS
	12	673517	Flange nut	NSS
Q		216383	Trailer coupling kit	Includes items 13 thru 16
	13	673784	Coupling, tractor end, Male	Special coupling; do NOT use industry standard Not shown
	14	673783	Coupling, trailer end, Female	
		673786	Dust cover, tractor end	
		673785	Dust cover, trailer end	
	673518	Adapter, spindle, .812 inches dia.	Measure and fit at installation to assure press fit	
R		673519	Adapter, spindle, 1.75 inches dia.	Measure and fit at installation to assure press fit
		673521	Adapter, spindle, 1.756 inches dia.	Measure and fit at installation to assure press fit
		673520	Adapter, spindle, 2.500 inches dia.	Measure and fit at installation to assure press fit
		673542	Adapter, spindle, 2.516 inches dia.	Measure and fit at installation to assure press fit
		673522	Adapter, spindle, 2.751 inches dia.	Measure and fit at installation to assure press fit

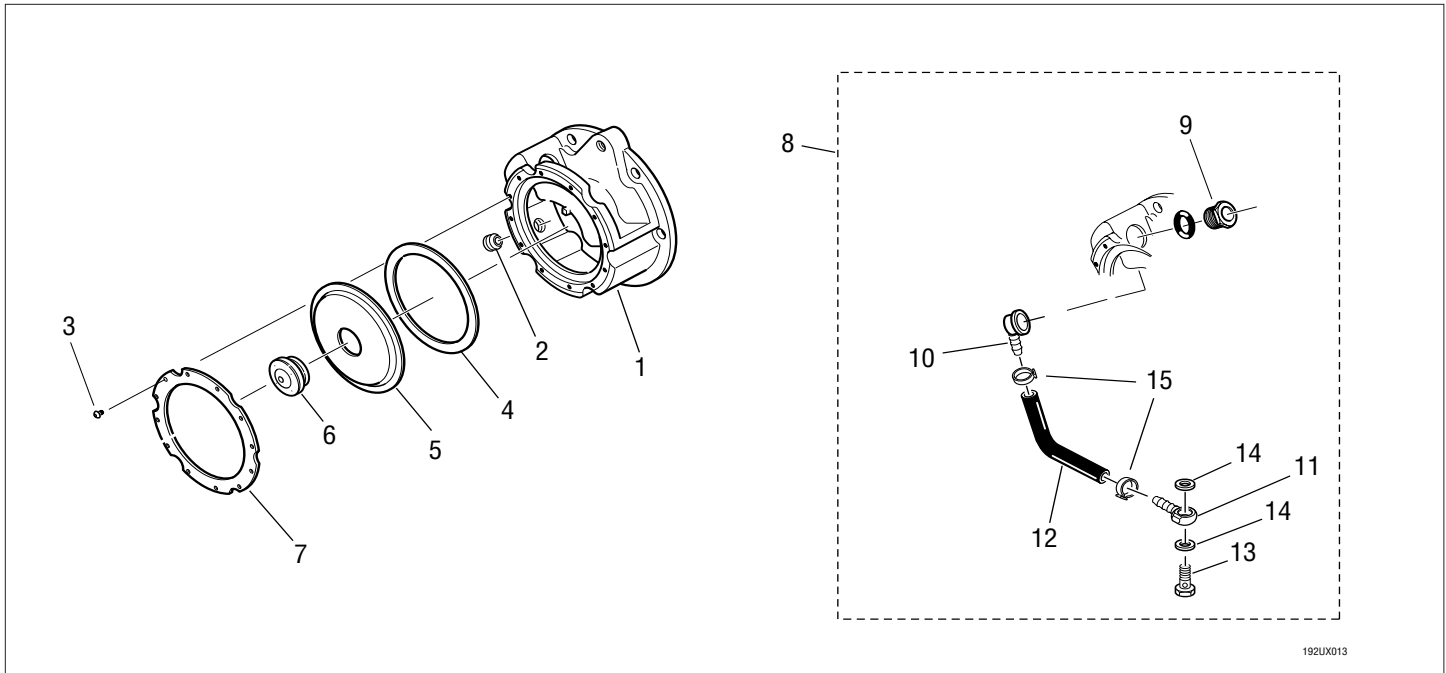
Notes: Buyer must determine suitability for use of these components with trailer axles not supplied by Dana Corporation. Spindle adapters must be machined before installation to assure a press fit in spindle end. Select adapter to provide sufficient stock for your application. Tubing and fittings to connect inlet to adapter are provided by installer.





Hub Cap Components

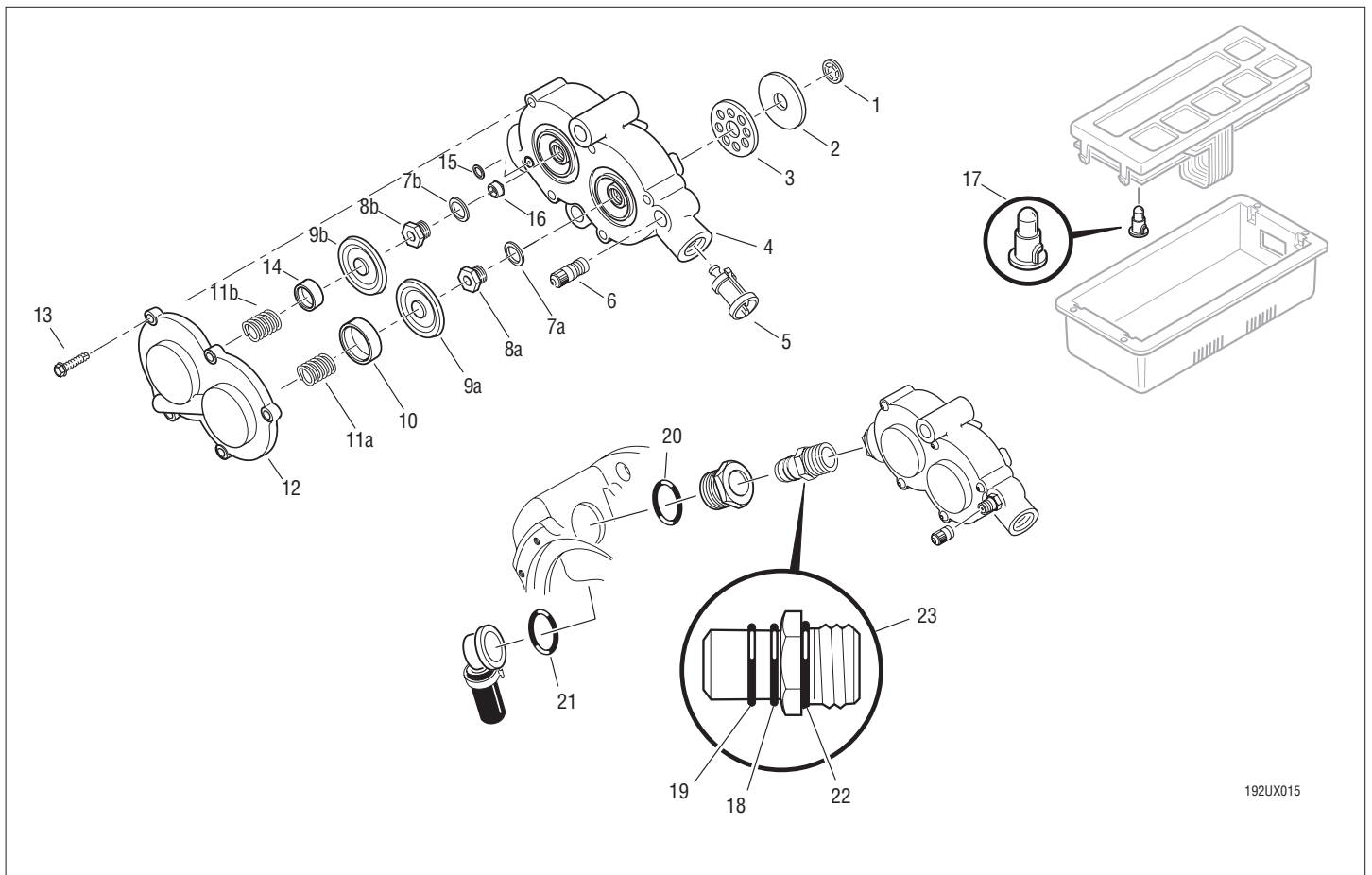
Category	Item	Part No.	Description	Notes
		673526	Hub Cap assembly - with check valve	Includes items 1 thru 15
	1	673367	Hub Cap	
	2	673360	Plug, pipe	
		218740	Hub Cap Window Kit	Includes items 3 thru 9
	3	128451	Screw, self-tapping	NSS
	4	673419	Gasket, window	NSS
	5	673420	Window, Hub cap	NSS
	6	673863	Hub Cap Vent Plug	
	7	673418	Ring, retaining, window	NSS
	8	673523	Hose assembly, hub cap	Includes items 11 thru 17
	9	673602	Fitting, bulkhead	NSS
	10	673603	Elbow, insert	NSS
	11	673604	Fitting, banjo	NSS
	12	673607	Hose	NSS
	13	673608	Banjo bolt	
	14	673609	Washer, thread sealing	
		673850	Spring, compression	NSS; Not shown, inside hose assy.
	15	673637	Clamp	NSS



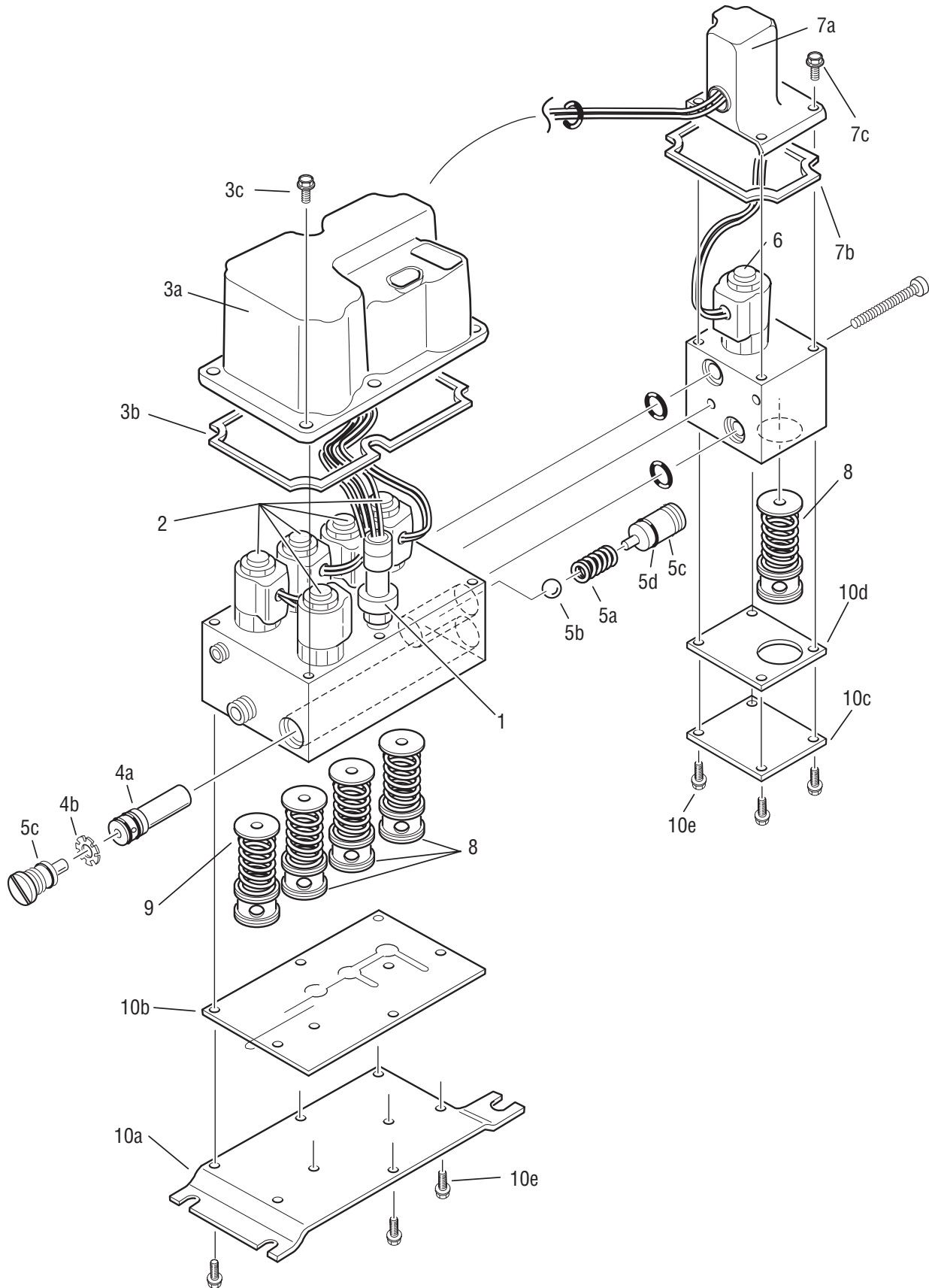
192LUX013



Category	Item	Part No.	Description	Notes
		218739	Wheel Valve Service Kit	Includes items 1, 2, 3, 5, and 6
		512888	Wheel Valve Rebuild Kit	Includes items 1, 2, 5, 7a, 7b, 9a, 9b, 15, and 16
	1	599993	Ring, Retaining Flap	NSS
	2	599991	Flap, Vent	NSS
	3	300011	Plate, Flap Support	NSS
	4	673300	Body, Wheel Valve	
	5	599791	Filter, Wheel Valve	
	6	673215	Tank Valve	
	7a & 7b	599807	O-rings (Qty: 2)	
	8a & 8b	673285	Seat (Qty: 2)	
	9a & 9b	673284	Seal Diaphragm (Qty: 2)	
	10	599990	Inflate Backing Plate (small)	
	11a & 11b	599985	Compression Springs (Qty: 2)	
	12	673300	Cover, Wheel Valve	
	13	300047	Capscrew (Qty: 5)	
	14	673768	Deflate Backing Plate (large)	
	15	113542	O-ring	
	16	676579	Check Valve Kit	
	17	5559106	Lamp, Operator Control	Provides backlighting for keypad
		508039	Hub Cap O-Ring Kit	Includes items 18 - 22
	18	673723	O-ring	13 x 1.0 - NSS
	19	673724	O-ring	12 x 1.5 - NSS
	20	673725	O-ring	18 x 2.0 - NSS
	21	673726	O-ring	27 x 2.5 - NSS
	22	128331	O-ring	.468 x .078 - NSS
		673909	Size & Location Chart	NSS
	23	673524	Fitting	



192UX015





Category	Item	Part No.	Description	Notes
	1	673424 673610 676505	PCU sensor assembly (wire & sensor) Wire harness PCU sensor	Includes transducer & connector w/ instructions AX196
	2	673540	Controller solenoid operator assy.	Includes coils and operators 2 channel
		218733	Controller cover kit	Includes items 3a thru 3c with instructions AX296
	3a	673317	Solenoid cover	NSS
	3b	673922	Gasket, solenoid cover	NSS
	3c	673414	Screw, #8-32 x .5"	NSS
		218734	Vacuum generator repair kit	Includes items 4a & 4b with instructions AX396
	4a	673290	Vacuum generator assy.	NSS
	4b	673293	Retainer, vacuum generator	NSS
		218735	Check valve kit	Includes items 5a thru 5d with instructions AX496
	5a	673324	Spring, check valve	NSS
	5b	673337	Ball, rubber, check valve	NSS
	5c	673325	Retainer, check valve	NSS
	5d	18656	Seal, O-ring	NSS
	6	673611	Trailer operator assy.	3 channel systems only
		218736	Trailer cover kit	3 channel systems only; includes items 7a thru 7c with instructions AX596
	7a	673330	Cover, solenoid, trailer module	NSS
	7b	673923	Gasket, solenoid cover, trailer module	NSS
	7c	673414	Screw, #8-32 x .5"	NSS
	8	599968	PCU cartridge	Normally open. For control, steer, drive & trailer positions
	9	599967	PCU cartridge	Normally closed. For supply position w/ instructions AX596
		218737	Seal and gasket kit	Items 10a-10e. Does not include seals for items 3, 4, 5, & 7
	10a	673319	Cover plate, controller	NSS
	10b	673322	Gasket, cover plate, controller	NSS
	10c	673333	Cover plate, trailer module	NSS
	10d	673334	Gasket, cover plate, trailer module	NSS
	10e	673414	Screw, #8-32 x .5"	NSS



Index

Part No.	Description	Page	Part No.	Description	Page
091306	Wheel nut, left, inch, stud pilot wheel	7	673316	P.C.U. Assy. 2 channel	1
091307	Wheel nut, right, inch, stud pilot wheel	7	673317	Solenoid cover	13
1008569	Gasket	2, 8	673319	Cover plate, controller	13
113542	O-ring	11	673322	Gasket, cover plate, controller	13
126921	Screw, retaining	3	673324	Spring, check valve	13
127110	Fastener	4	673325	Retainer, check valve	13
127712	Bearing cup, inner	7	673330	Cover, solenoid, trailer module	13
127713	Bearing cone, inner	7	673333	Cover plate, trailer module	13
128331	O-ring	11	673334	Gasket, cover plate, trailer module	13
128333	Spindle nut, ProTorq style	3	673336	P.C.U. Assy. 3 channel	1
128451	Screw, self-tapping	10	673337	Ball, rubber, check valve	13
128766	Bearing assembly, inner	7	673345	Pressure Switch	1
18656	Seal, O-ring	13	673347	Hub Piloted Whl (Non-ABS)	6
216383	Trailer coupling kit	9	673349	Hub Piloted Whl (Non-ABS)	6
217417	Hub & seal assembly - Long, 5/8" stud	7	673351	Hub Piloted Whl (Non-ABS)	6
217556	Inlet tube, drive axle sleeve	5	673353	Left Stud Piloted Whl (Non-ABS)	6
217557	Trailer axle air inlet kit	9	673355	Right Stud Piloted Whl (Non-ABS)	6
218733	Controller cover kit	13	673358	Plug, air passage	7
218734	Vacuum generator repair kit	13	673359	Long Hub, 5/8" drive stud	7
218735	Check valve kit	13	673360	Plug, pipe	10
218736	Trailer cover kit	13	673362	Capscrew, #8-32 x .50	7
218737	Seal and gasket kit	13	673367	Hub Cap	10
218739	Wheel Valve Service Kit	11	673383	Tee fitting	4, 8
218740	Hub Cap Window Kit	10	673386	Adapter	2, 4
219717	Hub & seal assembly - Long, ABS	7	673386	Fitting - 9/16-18 straight thread	4
219718	Hub & seal assembly - Short	7	673386	Tee fitting	4
219719	Hub & seal assembly - Short, ABS	7	673390	Hose assembly - straight	2
300011	Plate, Flap Support	11	673392	Hose, outer	4, 8
300047	Capscrew	11	673393	Hose, control	4
34368	Bearing cone, outer	7	673394	Fitting - T-hub control to wheel valve	4
42568	Screw, clamp	3	673404	Rotary joint	2, 8
508039	Hub Cap O-Ring Kit	11	673414	Screw, #8-32 x .5"	13
508482	Hub & seal assembly - Short	7	673418	Ring, retaining, window	10
508483	Hub & seal assembly - Short, ABS	7	673419	Gasket, window	10
508484	Inlet tube, drive axle sleeve	5	673420	Window, Hub cap	10
508485	Inlet tube, drive axle sleeve	5	673421	Plug, vented window	10
512888	Wheel Valve Rebuild Kit	11	673422	Valve, check, window	10
5559106	Lamp, Operator control	11	673424	PCU sensor	13
599791	Filter, Wheel Valve	11	673425	Speed Sensor, Bifilar	1
599807	O-ring	11	673443	Config. Connector, 2 axle - Obsolete	1
599830	Retainer	3	673444	Config. Connector, 7 or 8 axle - Obsolete	1
599960	O-ring, Inner	5	673446	Right Stud Piloted Whl (Non-ABS)	6
599961	O-ring, Outer	5	673447	Left Stud Piloted Whl (Non-ABS)	6
599962	Square Ring, Backing	5	673449	Right Stud Piloted Whl (Non-ABS)	6
599963	O-ring	7	673450	Left Stud Piloted Whl (Non-ABS)	6
599967	Valve Stem Assembly	13	673451	Sleeve	5
599968	Valve Stem Assembly	13	673475	Inlet tube 37°	3
599985	Compression Springs	11	673480	Wheel valve assembly	2, 4, 8
599990	Inflate Backing Plate (small)	11	673497	Bracket	3
599991	Flap, Vent	11	673498	Clamp	3
599993	Ring, Retaining Flap	11	673500	Spacer, .483 inches	2, 9
673215	Tank Valve	11	673501	Spacer, .750 inches	2, 9
673277	Electronic Control Unit (ECU) - Obsolete	NA	673502	Spacer, .875 inches	2, 9
673281	Relay-12V SPDT-Obsolete-Use Bosch #0332-011-007	1	673515	Adapter	9
673284	Seal Diaphragm	11	673516	Connector	9
673285	Seat	11	673517	Flange nut	9
673290	Vacuum generator assy.	13	673518	Adapter, spindle, .812 inches dia.	9
673293	Retainer, Vacuum generator	13	673519	Adapter, spindle, 1.75 inches dia.	9
673300	Cover, Wheel Valve	11	673520	Adapter, spindle, 2.500 inches dia.	9
673301	Seal, oil bath, outrunner type	7	673521	Adapter, spindle, 1.756 inches dia.	9
673305	Seal & retainer assembly	7	673522	Adapter, spindle, 2.751 inches dia.	9
673306	Panel Assy-Operator Control (OCP)	1	673523	Hose assembly, hub cap	10



Part No.	Description	Page	Part No.	Description	Page
673524	Fitting	2, 8	673831	Right Stud Piloted Whl (Non-ABS)	6
673526	Hub Cap assembly	2, 8, 10	673832	Left Stud Piloted Whl (ABS)	6
673527	Washer, spindle, keyed	3	673833	Right Stud Piloted Whl (ABS)	6
673528	Nut, inner	3	673834	Left Stud Piloted Whl (ABS)	6
673529	Nut, outer	3	673835	Right Stud Piloted Whl (ABS)	6
673530	Washer, retainer, dimpled	3	673836	Left Stud Piloted Whl (ABS)	6
673536	Spacer, .25 inches	2, 9	673837	Right Stud Piloted Whl (ABS)	6
673537	Hose, inner	4, 8	673839	Long hub, ABS, 5/8" drive stud	7
673538	Spacer, 1.013 inches	2, 9	673840	Short hub, 5/8" drive stud	7
673540	Controller solenoid operator assy.	13	673841	Short hub, ABS 5/8" drive stud	7
673542	Adapter, spindle, 2.516 inches dia.	9	673850	Spring, compression	10
673594	Wiring Harness Assy. - Obsolete	1	673863	Hub Cap Vent Plug Kit	10
673597	Spacer, 1.125 inches	2, 9	673873	Adapter (4.50 to 5.50 bolt circle)	2
673602	Fitting, bulkhead	10	673880	Short hub, 3/4" drive stud	7
673603	Elbow, insert	10	673881	Short hub, ABS, 3/4" drive stud	7
673604	Fitting, banjo	10	673882	Hub Piloted Whl (Non-ABS)	6
673607	Hose	10	673883	Hub Piloted Whl (Non-ABS)	6
673608	Banjo bolt	10	673884	Hub Piloted Whl (Non-ABS)	6
673609	Washer, thread sealing	10	673885	Hub Piloted Whl (Non-ABS)	6
673611	Trailer operator assy.	13	673886	Hub Piloted Whl (ABS)	6
673613	Capscrew	2, 8	673887	Hub Piloted Whl (ABS)	6
673616	Fitting - 3/8-18 NPT to 9/16-18 37° flare	4	673888	Hub Piloted Whl (ABS)	6
673617	Fitting assembly	5	673889	Hub Piloted Whl (ABS)	6
673633	Screw #6 - 19	1	673890	Left Stud Piloted Whl (Non-ABS)	6
673637	Clamp	10	673891	Right Stud Piloted Whl (Non-ABS)	6
673668	Tube assembly, inlet	5	673892	Left Stud Piloted Whl (Non-ABS)	6
673687	Fitting assembly	5	673893	Right Stud Piloted Whl (Non-ABS)	6
673691	Bushing, reducer	5	673894	Left Stud Piloted Whl (Non-ABS)	6
673692	Fitting assembly	5	673895	Right Stud Piloted Whl (Non-ABS)	6
673707	Speed Sensor, Single Coil	1	673896	Left Stud Piloted Whl (ABS)	6
673712	Hub Piloted Wheel w/ 3.50" stud (Non-ABS)	6	673897	Right Stud Piloted Whl (ABS)	6
673717	Hub Piloted Wheel w/ 3.50" stud (ABS)	6	673898	Left Stud Piloted Whl (ABS)	6
673723	O-ring	11	673899	Right Stud Piloted Whl (ABS)	6
673724	O-ring	11	673900	Left Stud Piloted Whl (ABS)	6
673725	O-ring	11	673901	Right Stud Piloted Whl (ABS)	6
673726	O-ring	11	673909	Size & Location Chart	11
673733	Hub Piloted Whl (ABS)	6	673916	Inlet tube 45°	3
673736	Hub Piloted Whl (ABS)	6	673918	Tube assembly, inlet	5
673739	Hub Piloted Whl (ABS)	6	673922	Gasket, solenoid cover	13
673742	Left Stud Piloted Whl (ABS)	6	673923	Gasket, solenoid cover, trailer module	13
673745	Right Stud Piloted Whl (ABS)	6	673925	Hose assembly, 90° tire end	2
673751	Left Stud Piloted Whl (ABS)	6	673931	Bracket	4
673754	Right Stud Piloted Whl (ABS)	6	676237	Wiring Harness Assy.	1
673760	Left Stud Piloted Whl (ABS)	6	676252	Electronic Control Unit (ECU)	1
673763	Right Stud Piloted Whl (ABS)	6	676254	Left hand bracket (forward facing tube)	3
673768	Deflate Backing Plate (large)	11	676291	Right hand bracket (forward facing tube)	3
673783	Coupling, trailer end, Female	9	676355	Tee Fitting	
673784	Coupling, tractor end, Male	9	676356	Hose assembly	2
673785	Dust cover, trailer end	9	676357	Hose assembly	2
673786	Dust cover, tractor end	9	676579	Check Valve Kit	11
673818	Hub Piloted Whl (Non-ABS)	6	810812	Wheel nut, metric, hub piloted wheel	7
673819	Hub Piloted Whl (Non-ABS)	6	813065	Brake drum, Centrifuse® type	7
673820	Hub Piloted Whl (Non-ABS)	6	815622	Nut, inner	3
673821	Hub Piloted Whl (Non-ABS)	6	815623	Washer, spindle, keyed	3
673822	Hub Piloted Whl (ABS)	6	815638	Nut, outer	3
673823	Hub Piloted Whl (ABS)	6	817134	Washer, retainer, dimpled	3
673824	Hub Piloted Whl (ABS)	6	817282	Brake drum, cast type	7
673825	Hub Piloted Whl (ABS)	6	821335	Washer	3
673826	Left Stud Piloted Whl (Non-ABS)	6	90897	Plug, pipe square socket 3/8-18	7
673827	Right Stud Piloted Whl (Non-ABS)	6	90955	Bearing cup, outer	7
673828	Left Stud Piloted Whl (Non-ABS)	6	X14700	Ball	7
673829	Right Stud Piloted Whl (Non-ABS)	6	X8679	Fastener	4
673830	Left Stud Piloted Whl (Non-ABS)	6	X9300	Nut	3



SPICER®

Drivetrain Products

Axles
Driveshafts
Off-Highway Transmissions

LONG®

Thermal Products

Transmission Oil Coolers
Engine Oil Coolers

VICTOR REINZ®

Sealing Products

Gaskets and Seals
Cylinder-Head Cover Modules
Thermal-Acoustic Protective Shielding



Dana Aftermarket Group
PO Box 321
Toledo, Ohio 43697-0321

Warehouse Distributors: 1.800.621.8084
OE Dealers: 1.877.777.5360

www.spicerparts.com

SPICER®

