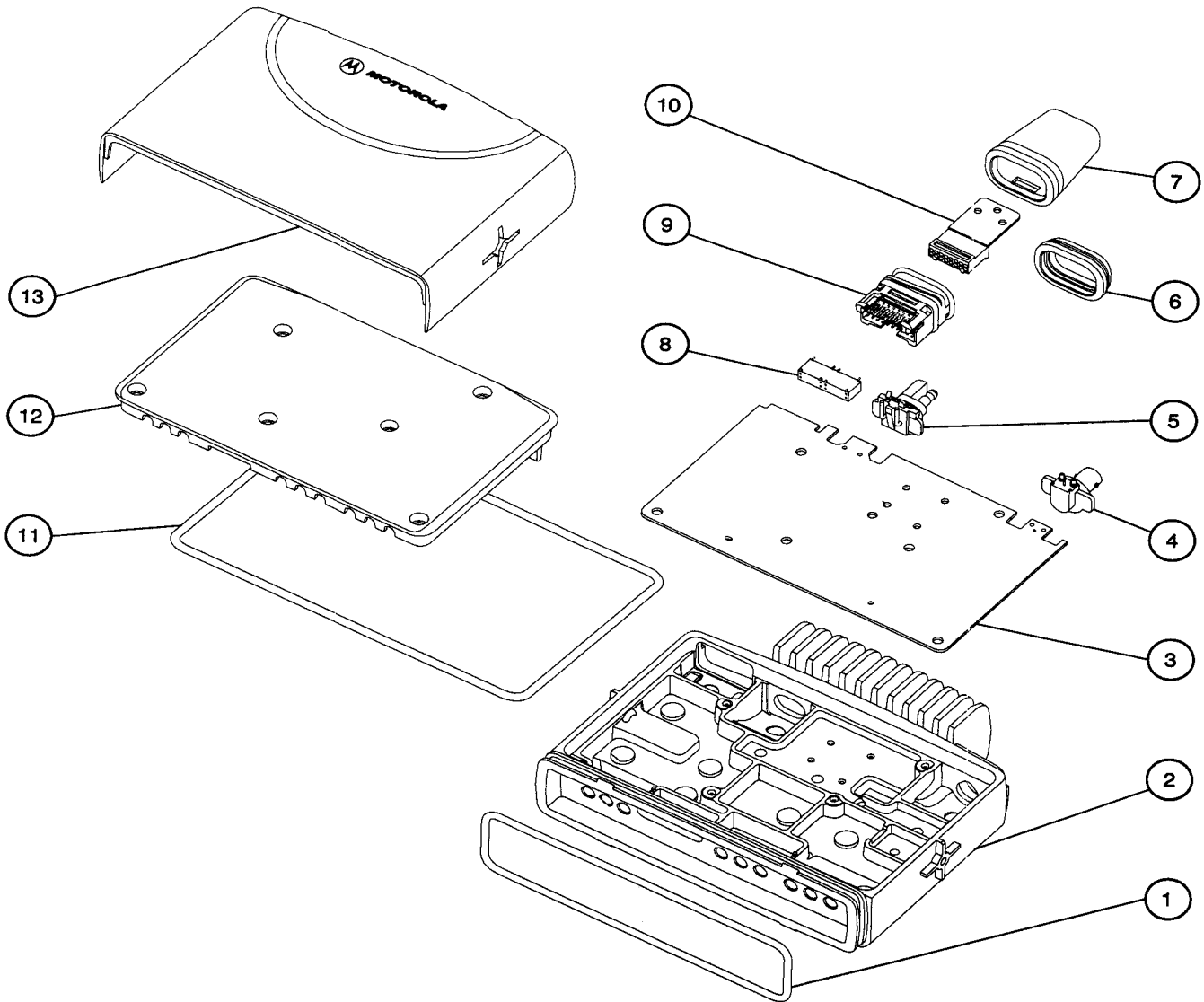


**CDM750/1250/1550 Series**

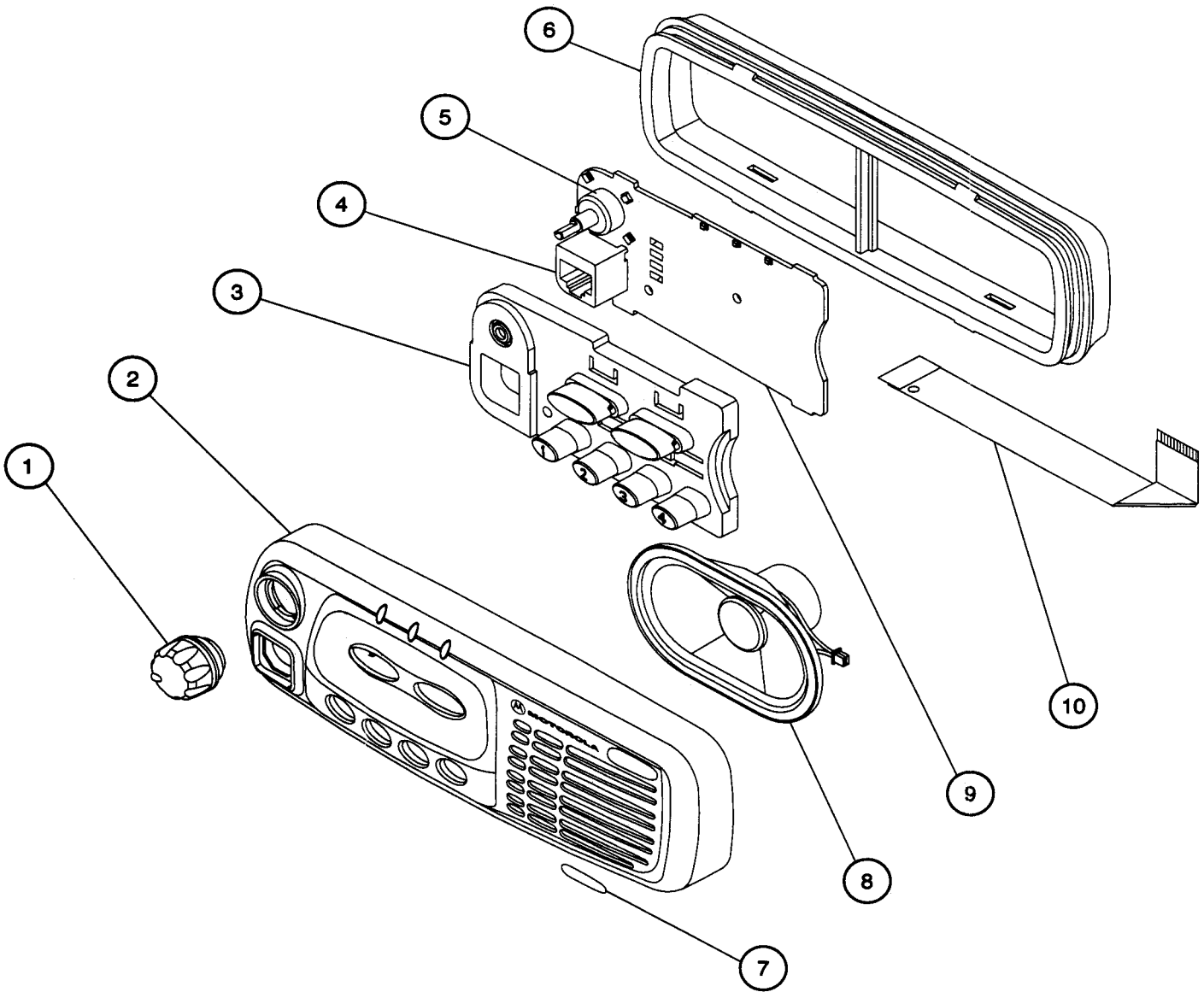
*Parts List*



**Parts List****Radio Assembly**

REF. NO.	PART NO.	DESCRIPTION	REF. NO.	PART NO.	DESCRIPTION
1	<b>3202620Y01</b>	Gasket, Control Head	10	<b>1580922V01</b>	Connector, Housing (optional)
2	<b>2786168B01</b>	Chassis 45W	11	---	Gasket, Cover 45W (part of item 12)
	<b>2786082B01</b>	Chassis 25W		---	Gasket, Cover 25W (part of item 12)
3	---	Main PCB (includes items 4, 5, and 8)	12	<b>1586084B01</b>	Cover, 25W
4	<b>0986166B02</b>	Antenna Connector		<b>1586169B01</b>	Cover, 45W
5	<b>0986165B01</b>	Power Connector	13	<b>1586083B01</b>	Cover, Plastic 25W
6	<b>3202607Y01</b>	Gasket, Cover		<b>1586170B01</b>	Cover, Plastic 45W
7	<b>3202606Y01</b>	Gasket, Accessory Connector (optional)	<b>NON-REFERENCED ITEMS</b>		
8	<b>0986105B01</b>	Connector, 20-Pin		<b>0310911A30</b>	Screw T20, 6x
9	<b>2886122B02</b>	Connector Assembly			

**Parts List**



**CDM750 Radio Control Head**

REF. NO.	PART NO.	DESCRIPTION
1	<b>3686098B02</b>	Knob, Volume
2	<b>1586086B01</b>	Housing, Front
3	<b>7586089B01</b>	Keypad
	---	Keypad Button**
4	<b>2864287B01</b>	10-Pin Microphone Jack
5	<b>1805911V02</b>	Potentiometer
6	<b>1586092B01</b>	Backhousing

REF. NO.	PART NO.	DESCRIPTION
	<b>3286094B01</b>	Backhousing O-ring
7	<b>HLN9888</b>	Label
8	<b>5086126B01</b>	Speaker
9	<b>GLN7350</b>	PCB
10	<b>8486127B01</b>	Flex 12-Position Connector

\*\* Consult basic service manual

## CDM750/1250/1550 Series

### Parts List

#### CDM1250 Radio Control Head

REF. NO.	PART NO.	DESCRIPTION
1	<b>HLN9889</b>	Label
2	<b>1586087B01</b>	Housing Front
3	<b>7586090B01</b>	Keypad
	---	Keypad Button**
4	<b>7286104B01</b>	LCD Glass
5	<b>0786099B01</b>	Frame LCD
6	<b>3686098B02</b>	Knob, Volume
7	<b>2864287B01</b>	10-Pin, Microphone Jack
8	<b>1805911V02</b>	Potentiometer

REF. NO.	PART NO.	DESCRIPTION
9	<b>GLN7352</b>	PCB
10	<b>1586093B02</b>	Back Housing
11	<b>3786107B01</b>	Tube, Speaker
12	<b>2886130B01</b>	Connector, Elastomeric
	<b>2886130B02</b>	Connector, Elastomeric
13	<b>5086126B01</b>	Speaker

#### NON-REFERENCED ITEMS

**8486127B01** Flex, 12-Position Connector



## CDM750/1250/1550 Series

## Mobile Accessories



### CDM1550 Radio Control Head

REF. NO.	PART NO.	DESCRIPTION
1	<b>HLN9890</b>	Label
2	<b>1586088B01</b>	Housing Front
3	<b>7586091B01</b>	Keypad, PRO7100
	---	Keypad Button**
4	<b>2864287B01</b>	10-Pin, Microphone Jack
5	<b>3686098B02</b>	Knob, Volume
6	<b>1805911V01</b>	Potentiometer
7	<b>GLN7352</b>	PCB
8	<b>1586093B02</b>	Back Housing
9	<b>7286104B01</b>	LCD Glass
10	<b>0786099B01</b>	Frame LCD

REF. NO.	PART NO.	DESCRIPTION
11	<b>2886130B01</b>	Connector, Elastomeric
	<b>2886130B02</b>	Connector, Elastomeric
12	<b>3786107B01</b>	Tube, Speaker
13	<b>5086126B01</b>	Speaker

#### NON-REFERENCED ITEMS

<b>8486127B01</b>	Flex, 12-Position Connector
-------------------	-----------------------------

**Note:** Speaker (13) and tube (12) are glued together using self-adhesive material. If replacement is required, it is recommended to order both parts.

## CDM750/1250/1550 Series

## Mobile Accessories

### Microphones

**AARMN4025B** Standard Compact Microphone provides basic push-to-talk functionality and ships with all CDM Series mobile radios.



AARMN4025B



AARMN4026B

**AARMN4026B** Enhanced Keypad Microphone includes a full keypad that enables you to dial phone numbers from the microphone. Also has three customizable buttons that can be programmed with any of the control head features.

**AARMN4038B** Heavy-Duty Microphone for users who want a more durable microphone. Also ideal for those who need a larger microphone that is easy to handle with gloves on.

**AARMN4027A** Visor Microphone for use with external push-to-talk accessories. Microphone mounts to vehicle's visor for convenient hands-free operation of radio.

### Hands-free Accessories

**RLN4857A** Pushbutton with Push-to-Talk Feature provides hands-free operation of radio in vehicle, allowing you to transmit messages without using a mobile microphone. Must be used in conjunction with the visor microphone. Push-to-talk button can be held in the hand or mounted in the vehicle with touch fasteners.

**RLN4856A** Foot Switch with Push-to-Talk Feature provides hands-free operation of radio in vehicle, allowing you to transmit messages without using a mobile microphone. Foot switch mounts to the vehicle's floor and must be used in conjunction with the visor microphone.

**RLN4858A** Gooseneck Mount with Push-to-Talk Feature provides hands-free operation of radio in vehicle, allowing you to transmit messages without using a mobile microphone. Gooseneck push-to-talk button mounts to the steering wheel column and must be used in conjunction with the visor microphone.



AAREX4617A

**AAREX4617A** Telephone Style Handset is ideal for those who want the ability to conduct private radio conversations. You can transmit and receive messages through this ergonomically designed, easy-to-hold handset. Includes hang-up cup and hardware.

**RLN4836A** Emergency Foot Switch enables you to notify the base station quickly and discreetly that you are in an emergency situation. Pressing the foot switch sends a signal to the base station and activates the microphone, so you can communicate with the base station.

## CDM750/1250/1550 Series

## Mobile Accessories

### Speakers



RSN4001A

**RSN4001A** External 13-Watt Speaker offers a higher level of radio volume output – beneficial if you operate in an extremely noisy environment.

**HSN8145B** External 7.5-Watt Speaker offers a higher level of radio volume output – beneficial if you operate in a highly noisy environment.



HSN8145B

### Mounting Accessories

**GLN7324A** Low-Profile Mounting Trunnion. This standard mounting bracket is ideal for vehicles with limited space for mounting the mobile radio.



GLN7324A

**GLN7317A** High-Profile Mounting Trunnion This mounting bracket enables more mounting angles than the low-profile trunnion.

**HLN8097A** Removable Slide Mount is ideal if you frequently move the radio from one vehicle to another, or if you are concerned about radio theft. Radio easily slips in and out of the slide mount.

**RLN4779A** Key Lock Mount gives radio extra protection from theft by requiring use of a key to lock/unlock radio from its position in the mounting bracket.



RLN4774A

**RLN4774A** Three-Point Low Band Mount provides extra stability for mounting low band radio models.

## CDM750/1250/1550 Series

## Mobile Accessories

### Mounting Accessories

#### Direct in Dashboard Mounting Kits

Ideal if you prefer to mount the radio directly into the dashboard for better appearance or to keep it from being an obstruction in the vehicle.

**RLN4781A** CDM750 Control Head

**RLN4782A** CDM1250, CDM1550, and CDM1550•LS Control Heads

#### Remote Mounting Kits

Allows you to mount radio chassis in the trunk or under the seat and mount control head elsewhere in the vehicle. Ideal for vehicles with no convenient place to mount the complete radio near dashboard, or where security may be of concern.

**RLN4801A** Remote Mount for CDM750 Control Head

**RLN4802A** Remote Mount for CDM1250, CDM1550, and CDM1550•LS Control Heads



RKN4801A  
RKN4802A

#### Remote Mount Cables

These cables are used to connect the radio chassis to the control head.

**RKN4077** 3m Remote Mount Cable

**RKN4078** 5m Remote Mount Cable

**RKN4079** 7m Remote Mount Cable

#### Cables to Battery

These cables are used to connect the battery to the radio chassis.

**HKN4137A** 12V, 1-45W Low-Power Cable

**HKN4191B** 12V, 40-60W High-Power Cable

**HKN4192B** 20-foot, 12V, 1-45W Power Cable

### Control Station Accessories

#### Desktop Power Supplies

**HPN4002B** 1-25 Watt Power Supply for use with low-power radios. Provides power for using the mobile from a desktop.

**HPN4001B** 25-45 Watt Power Supply for use with high-power radios. Provides power for using the mobile from a desktop.

#### Desktop Microphone

**HMN3000B** Black Desktop Microphone makes transmissions easier when the mobile radio is being used from a desktop because the microphone and push-to-talk button are larger. Helps expedite transmissions because you do not have to keep picking the microphone up.

#### Desktop Trays

**GLN7318A** Desktop Tray without Speaker. Ideal for securing the mobile in place in a desktop environment.

**GLN7326A** Desktop Tray with Speaker. Ideal for securing the mobile in place in a desktop environment. Includes a speaker for increased volume when receiving calls in high-noise areas.

### Miscellaneous

**AAHLN9725C** Voice Storage Option Board enables you to record and playback memos or incoming radio calls.

#### Button Kits

**RLN4829A** Button Kit for CDM750. Replaceable button kit includes buttons for MON (monitor) and SCAN.

**RLN4830A** Button Kit for CDM1250 and CDM1550. Replaceable button kit includes buttons for ZONE, XPAND, HI/LO, EMERGENCY, and V STR (voice storage).

**RLN4831A** Button Kit for CDM1250, CDM1550, and CDM1550•LS. Replaceable button kit includes buttons for MON (monitor), SCAN, CALL, PHONE, and HOME.



## CDM750/1250/1550 Series

## Antennas, Service Aids

### Antennas

The signals for these antennas are radiated vertically, making them ideal for urban environments where buildings might obstruct the signal.

**HAD4006A** VHF 136-144 MHz, 1/4-Wave Roof Mount

**HAD4007A** VHF 146-150.8 MHz, 1/4-Wave Roof Mount

**HAD4008A** VHF 150.8-162 MHz, 1/4-Wave Roof Mount

**HAD4009A** VHF 162-174 MHz, 1/4-Wave Roof Mount

**HAE4002A** UHF 403-430 MHz, 1/4-Wave Roof Mount

**HAE4003A** UHF 450-470 MHz, 1/4-Wave Roof Mount

**HAE4004A** UHF 470-512 MHz, 1/4-Wave Roof Mount

These antennas are designed to direct the signal more towards the horizon, making them ideal for applications in more geographically flat regions where signal coverage is sparse and must cover a larger area.

**HAD4014A** VHF 144-174 MHz, 3dB Gain Roof Mount

**HAE4010A** UHF 406-420 MHz, 3.5dB Gain Roof Mount

**HAE4011A** UHF 450-470 MHz, 3.5dB Gain Roof Mount

**HAE4012A** UHF 470-494 MHz, 3.5dB Gain Roof Mount

**HAE4013A** UHF 494-512 MHz, 5dB Gain Roof Mount

These antennas are for use with low band radio models.

**RAB4002A** Low Band 29.7-36 MHz

**RAB4003A** Low Band 36-42 MHz

**RAB4004A** Low Band 42-50 MHz

### Service Aids

#### Programming Software

Utilizing your personal computer, the software enables you to add or reprogram frequencies as your requirements change. Compatible with IBM XT, AT, Model 30, 50, 60 and 80. Requires Radio Interface Box and appropriate cables; must be ordered separately.

#### Conventional

**HVN9025D** Programming Software, 3-1/2" Diskette (includes binder and manual)

#### Computer Interface Cable

Used to connect computer's serial port to Radio Interface Box.

**3080369B71** Computer Interface Cable, RIB to 25 pin D

**3080369B72** Computer Interface Cable, RIB to 9 pin D

#### Programming Cable

Required to program radio, acts as a link between RIB box and Radio.

**AARKN4083A** Programming Cable

**AARKN4081B** RIBless Programming Cable

## CDM750/1250/1550 Series

## Service Aids, Manuals

### Service Aids

#### Radio Interface Box

Links radio programming cable and computer interface together. Provides required voltage shift to enable communications between radio and computer. Requires computer interface cable, radio programming cable, and a 9 volt snap type battery (6082728J01) or wall mount power supply. Order separately.



RLN4008E

**RLN4008E** Radio Interface Box



0180357A57

#### Wall Mounted Power Supply

Used to supply power to Radio Interface Box.

**0180357A57** Wall Mounted Power Supply (110 volts)

**0180358A56** Wall Mounted Power Supply(220 volts)

### Manuals

<b>6881092C58</b>	Installation Manual
<b>6881091C62</b>	Basic Service Manual
<b>6881091C63</b>	Detailed Service Manual
<b>6881091C54</b>	CDM750 Users Guide
<b>6881091C55</b>	CDM1250 Users Guide
<b>6881091C56</b>	CDM1550 Users Guide