

E2078 ROUND CASED BOILING PANS

INSTALLATION and SERVICING INSTRUCTIONS



IMPORTANT

The installer must ensure that the installation of the appliance is in conformity with these instructions and National Regulations in force at the time of installation. Particular attention **MUST** be paid to -

BS7671 IEE Wiring Regulations

Electricity at Work Regulations

Health And Safety At Work Act

Fire Precautions Act

This appliance has been CE-marked on the basis of compliance with the Low Voltage and EMC Directives for the voltages stated on the Data Plate

WARNING -THIS APPLIANCE MUST BE EARTHED

On completion of the installation these instructions should be left with the Engineer-in-Charge for reference during servicing. Further to this, The Users Instructions should be handed over to the User, having had a demonstration of the operation and cleaning of the appliance.

IT IS MOST IMPORTANT THAT THESE INSTRUCTIONS BE CONSULTED BEFORE INSTALLING AND COMMISSIONING THIS APPLIANCE. FAILURE TO COMPLY WITH THE SPECIFIED PROCEDURES MAY RESULT IN DAMAGE OR THE NEED FOR A SERVICE CALL.

PREVENTATIVE MAINTENANCE CONTRACT

In order to obtain maximum performance from this unit we would recommend that a Maintenance Contract be arranged with **SERVICELINE**. Visits may then be made at agreed intervals to carry out adjustments and repairs. A quotation will be given upon request to the **SERVICELINE** contact numbers below.



WEEE Directive Registration No. WEE/DC0059TT/PRO

At end of unit life, dispose of appliance and any replacement parts in a safe manner, via a licenced waste handler.

Units are designed to be dismantled easily and recycling of all material is encouraged whenever practicable.

T100562 Ref. 2

Falcon Foodservice Equipment

HEAD OFFICE AND WORKS

Wallace View, Hillfoots Road, Stirling. FK9 5PY. Scotland.

SERVICELINE CONTACT -

PHONE - 01438 363 000 FAX- 01438 369 900

Warranty Policy Shortlist

Warranty does not cover :-

Correcting faults caused by incorrect installation of a product.

Where an engineer cannot gain access to a site or a product.

Repeat commission visits.

Replacement of any parts where damage has been caused by misuse.

Engineer waiting time will be chargeable.

Routine maintenance and cleaning.

Gas conversions i.e. Natural to Propane gas.

Descaling of water products and cleaning of water sensors where softeners/conditioners are not fitted, or are fitted and not maintained.

Blocked drains.

Independent steam generation systems.

Gas, water and electrical supply external to unit.

Light bulbs.

Re-installing vacuum in kettle jackets.

Replacement of grill burner ceramics when damage has been clearly caused by misuse.

Where an engineer finds no fault with a product that has been reported faulty.

Re-setting or adjustment of thermostats when unit is operating to specification.

Cleaning and unblocking of fryer filter systems due to customer misuse.

Lubrication and adjustment of door catches.

Cleaning and Maintenance:

- Cleaning of burner jets

- Poor combustion caused by lack of cleaning

- Lubrication of moving parts

- Lubrication of gas cocks

- Cleaning/adjustment of pilots

- Correction of gas pressure to appliance.

- Renewing of electric cable ends

- Replacement of fuses

- Corrosion caused by use of chemical cleaners.

SECTION 1 - INSTALLATION

UNLESS OTHERWISE STATED, PARTS WHICH HAVE BEEN PROTECTED BY THE MANUFACTURER ARE NOT TO BE ADJUSTED BY THE INSTALLER

1.1 MODEL NUMBER, NETT WEIGHTS and DIMENSIONS

E2078	WIDTH mm	DEPTH mm	HEIGHT mm	WEIGHT kg	WEIGHT lbs
45 litre	920	745	838	86	190
90 litre	945	865	838	122	270
135 litre	1040	961	864	145	320

A kit to convert a single purpose pan for dual purpose operation is available.

1.2 SITING

The unit must be installed on a firm level and non-combustible floor in a well lit position.

Installation must be executed in accordance with Regulations listed on manual cover, as appropriate and a competent installer must be employed.

1.3 ELECTRICITY SUPPLY

These pan are for use on AC systems only (single phase or 3 phase/4 wire systems). A hole suitable for 25mm conduit is provided in the control box underside.

The supply must be installed using a suitably rated isolating switch with a contact separation of 3mm in all poles. All wiring must be carried out in accordance with the regulations listed on the cover of this manual.

Terminals are supplied for direct connection to a 3 phase supply. For single phase use it will be necessary to link terminals L1, L2 and L3 as illustrated in Figure 1.

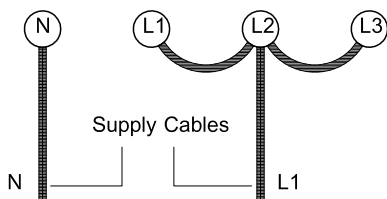


Figure 1

THIS APPLIANCE MUST BE EARTHED using the terminal provided.

1.4 ELECTRICAL RATINGS

The ratings are as stated on appliance data plate.

1.5 WATER SUPPLY

A combined cock and swivel arm connection is supplied with a $RL^{3/4}$ connection for coupling to supply pipe. A stop valve should be fitted to incoming supply pipe for isolating purposes and should be positioned close to unit to allow shutdown in event of an emergency or during routine maintenance.

SECTION 2 - ASSEMBLY

The boiling pan is supplied completely assembled except for the swivel tap, bracket - and lid rack. Fit the bracket to the pan side using the fixings supplied and secure the tap to the bracket with the handle facing directly forward. Fit lid rack to clips on lower section of pan.

The pan must be accurately levelled by adjusting screwed feet as necessary. After placing the unit in position and levelling, fixing holes can be marked on the floor through the feet holes.

Note

It is strongly recommended that fixings be provided particularly for 136 litre version.

Access to supply terminals is gained by removal of control box cover that hinges open when fixings are removed. Connect as detailed in Section 1.3.

Connect water supply to swivel tap.

The pan must be tested by installer, prior to handing over to kitchen staff. Fill with water and switch on. Check energy regulator functions and that pilot lights (see User instructions).

Instructions to User - Whenever possible, installer should instruct user in the correct operation of unit and indicate the location of the main isolating switch.

SECTION 3 - MAINTENANCE

Before attempting electrical maintenance, SWITCH OFF AT THE MAIN SWITCH and take steps to ensure that it is not inadvertently switched on.

3.1 ELEMENTS

When ordering replacement elements, it is essential to indicate which particular element is required. The element assembly is comprised of coils of varying wattage and length and, if possible, a sketch should be provided indicating the faulty coil.

To gain access to elements, proceed as follows:

1. Drain pan and remove three fixings securing pipe bracket to side of pan.
2. Remove six fixings securing lower part of channel between pan base and control box. Remove lower channel.
3. Remove two fixings that secure control box steady bracket to pan.
4. Remove fixings securing pan body to base frame. These are located below the base, adjacent to four fixings.

5. Remove fixings that secure outer casing of pan to base frame.
6. Carefully remove entire pan body by lifting it up. The elements will now be exposed.
7. Determine what element is faulty and disconnect flexible beaded tails from terminals. Remove split pins to release ceramic former which can be removed.
8. Fit replacement element, ensuring that no gaps exist in insulating bead and tighten terminals securely.
9. Re-assemble pan in reverse order.

To remove control panel, undo fixing to allow panel to hinge out.

3.2 CONTACTOR

The contactor was specifically chosen for its robust quality and routine maintenance is not necessary. It is however advisable to very occasionally clean the contact, using carbon tetrachloride or similar solvent.

Never use an abrasive method of cleaning, if contacts should become burned or pitted these must be renewed.

3.3 ENERGY REGULATOR

To replace regulator, remove control box cover then pull off control knob.

Remove nut and washer below knob and ease regulator in through top panel.

Before removing connections, note locations, and apply to same terminals of new regulator.

3.4 PILOT LAMP

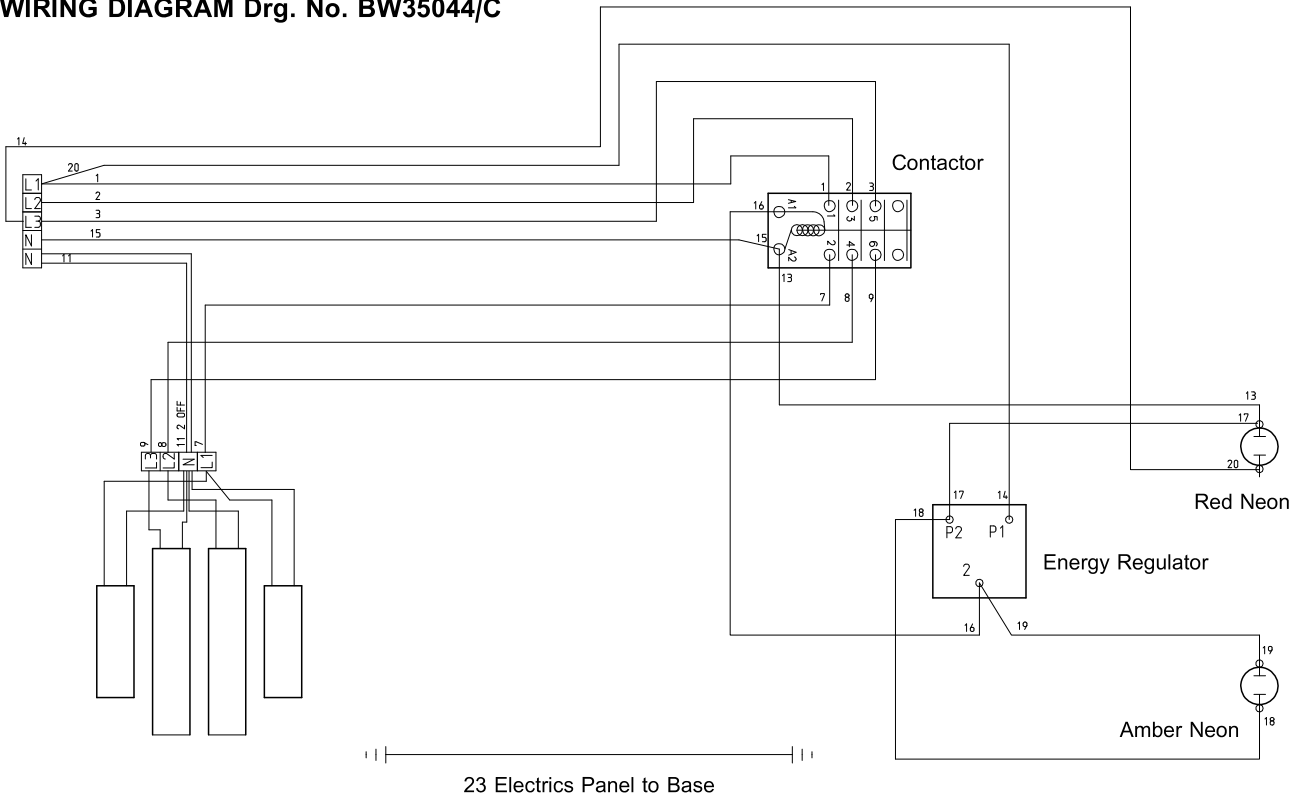
These are not repairable. To replace a lamp, remove control panel.

Disconnect wiring and undo securing nut. Unscrew lamp lens to remove and withdraw lamp from panel.

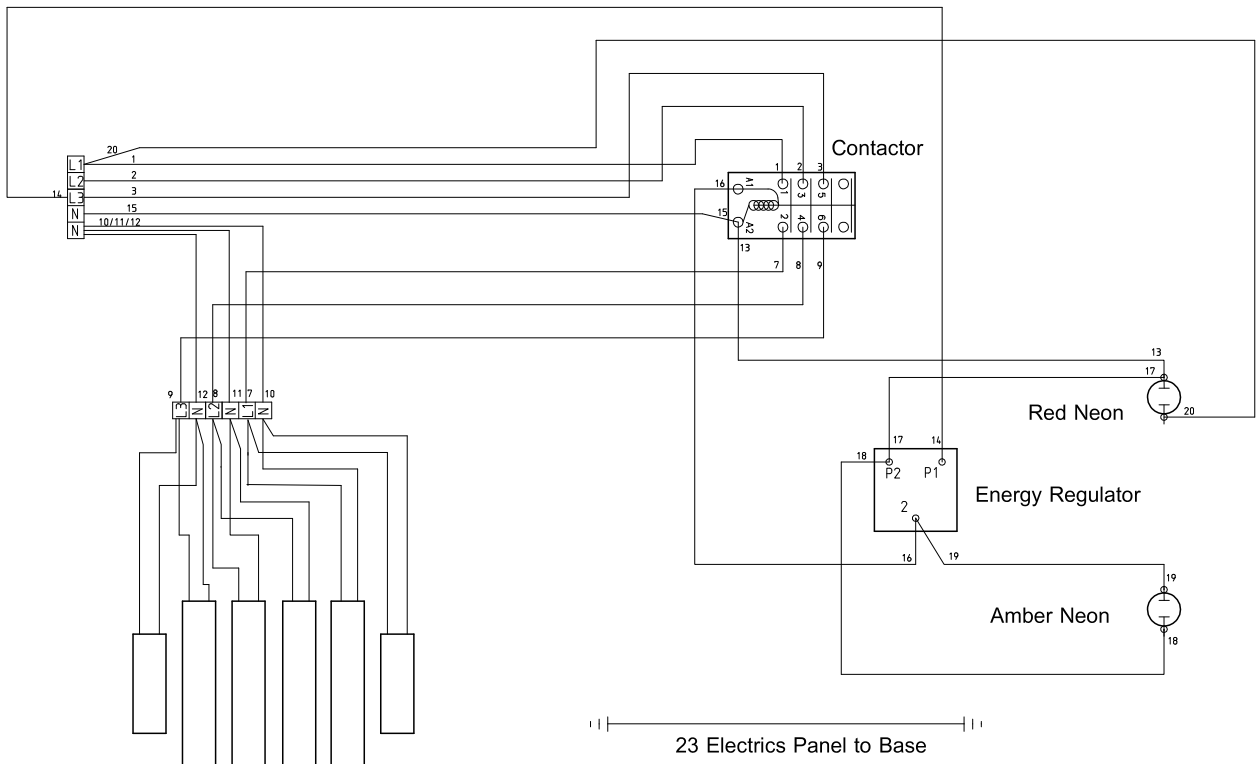
Fit replacement in reverse order.

E2078 BOILING PAN (45 litre)

WIRING DIAGRAM Drg. No. BW35044/C



E2078 BOILING PAN (90 litre)
WIRING DIAGRAM Drg. No. BW35043/B



E2078 BOILING PAN (135 litre)
WIRING DIAGRAM Drg. No. BW35046/C

