

AY765

Service Manual

Proview Electronics Co.,Ltd.

*6F, No.1, Pau-Sheng Road, Yung-Ho City, Taipei 234, Taiwan
Tel : (886-2) 2231-6789 , Fax :(886-2) 2231-5678*

TABLE OF CONTENTS

SERVICE WARNING	2
A. IMPORTANT SAFETY INSTRUCTION	2
B. SPECIFICATIONS	4
C. TIMING CHART	5
D. CONTROL LOCATION	7
E. BLOCK DIAGRAM	9
F. CONDUCTION VIEW	11
G. SCHEMATIC DIAGRAM	14
H. TROUBLE SHOOTING HINTS	21
I. REPLACEMENT PARTS LIST	25

WARNING

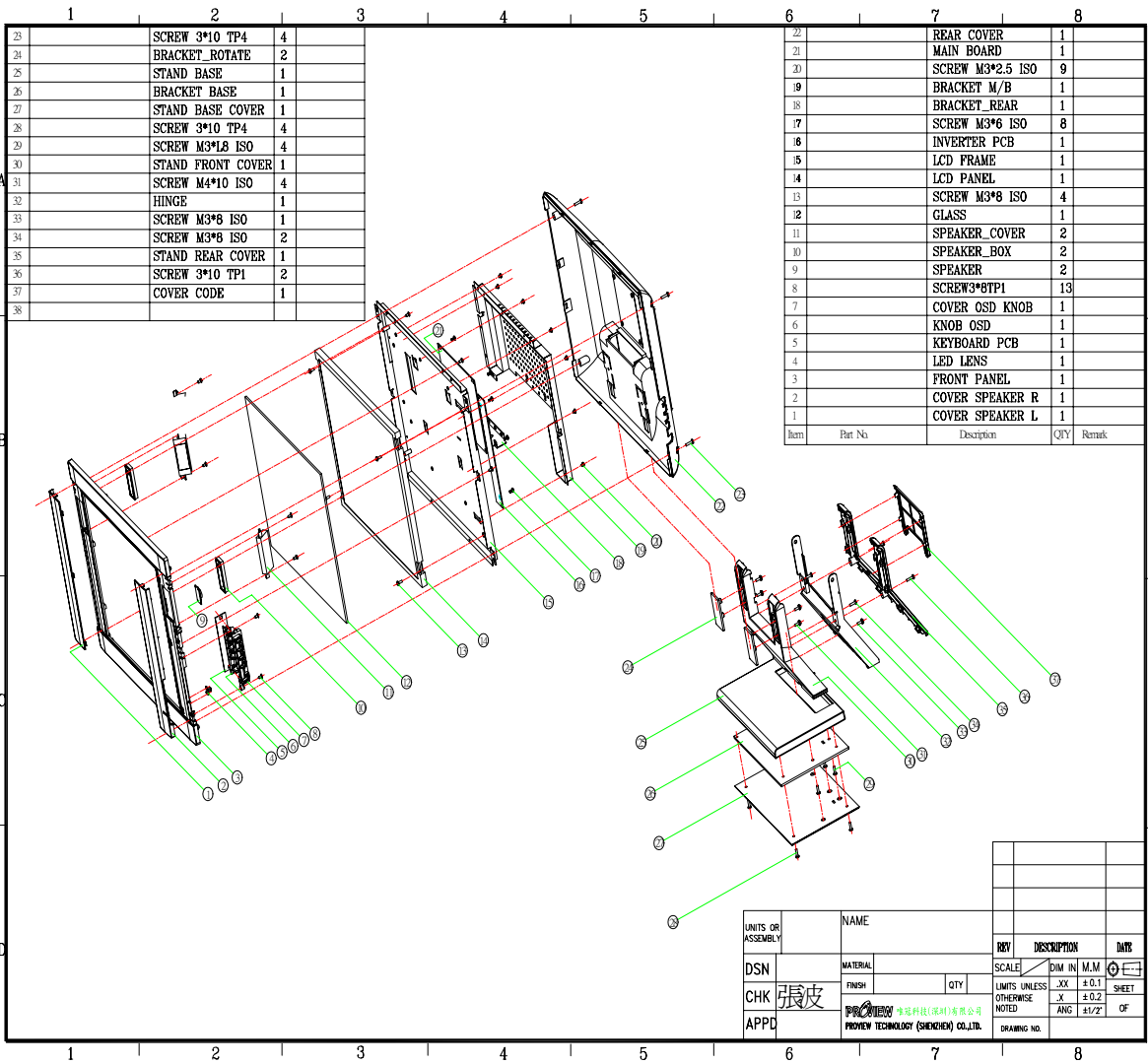
To prevent from fire or shock hazard,do not expose monitor to any rain or any form of water.High voltage is inside the monitor so please do not remove the back cover of the cabinet if you are not a qualified monitor engineer.

Contact the local dealer or the nearest **Proview** branch office if you need help.

A. IMPORTANT SAFETY INSTRUCTION

Prior to using this service manual,please ensure that you have carefully followed all the procedures outlined in the user's manual for this product.

1. Read all of these instructions.
2. Save these instructions.
3. Follow all warnings and instructions a marked on the product.
4. Unplug this product from the wall outlet before cleaning.Do not use liquid cleaners or aerosol cleaners, use a damp cloth for cleaning.
5. Do not use this product near water.
6. Do not place this product on an unstable cart,stand or table.The product may fall,causing serious damage to the product.
7. Slots and openings in the cabinet and the back or bottom are provided for ventilation,to ensure reliable operation of the product and to protect it from overheating,those openings must not be blocked or covered.The openings should never be blocked by placing the product on a bed,sofa, rug, or other similar surface.This product should not be placed in a built-in installation less proper ventilation is provided.
8. This products should be operated from the type of power source indicated on the marketin label. If you are not sure of the type of power available, consult your dealer or local power company
9. This product is equipped with a 3-wire grounding type plug,a plug having a third (grounding) pin.This plug will only fit into a grounding-type power outlet.This is a safety feature,if you are unable to insert the plug into the outlet,contact your electrician to replace your obsolete outlet.Do not defeat the purpose of the grounding-type plug.
10. Do not allow anything to rest on the power cord.Do not locate this product where persons will walk on the cord.
11. If an extension cord is used with this product,make sure that the total of the ampere ratings on the product plugged into the extension cord to the waplugged into outlet does not exceed 15 ampere.
12. Never push objects of any kind into this product through cabinet slots as they may touch dangerous voltage points or short out parts that could result in a risk of fire or electric shock.Never spill liquid of any kind on the product.
13. Do not attempt to service this product yourself,as opening or removing covers may expose you to dangerous voltage points or other risks.Refer all servicing to service personnel.
14. Unplug this product from the wall outlet and refer servicing to qualified service personnel under the following conditions.
 - a. When the power cord or plug is damaged or frayed.
 - b. If liquid has been spilled into the product.
 - c. If the product has been exposed to rain or water.
 - d. If the product does not operate normally,when the operating instructions are followed.Adjust only those controls that are covered by the operating instructions since improper adjustment of other controls may result in damage and will often require extension work by a qualified technician to restore the product to normal operation.
 - e. If the product has been dropped or the cabinet has been damaged.
 - f. If the product exhibits a distinct change in performance,indicating a need for service.



23	SCREW 3*10 TP4	4
24	BRACKET_ROTATE	2
25	STAND BASE	1
26	BRACKET BASE	1
27	STAND BASE COVER	1
28	SCREW 3*10 TP4	4
29	SCREW M3*LB ISO	4
30	STAND FRONT COVER	1
31	SCREW M4*10 ISO	4
32	HINGE	1
33	SCREW M3*8 ISO	1
34	SCREW M3*8 ISO	2
35	STAND REAR COVER	1
36	SCREW 3*10 TP1	2
37	COVER CODE	1
38		

22	REAR COVER	1
21	MAIN BOARD	1
20	SCREW M3*2.5 ISO	9
19	BRACKET M/B	1
18	BRACKET_REAR	1
17	SCREW M3*6 ISO	8
16	INVERTER PCB	1
15	LCD FRAME	1
14	LCD PANEL	1
13	SCREW M3*8 ISO	4
12	GLASS	1
11	SPEAKER_COVER	2
10	SPEAKER_BOX	2
9	SPEAKER	2
8	SCREW3*8TP1	13
7	COVER OSD KNOB	1
6	KNOB OSD	1
5	KEYBOARD PCB	1
4	LED LENS	1
3	FRONT PANEL	1
2	COVER SPEAKER R	1
1	COVER SPEAKER L	1

Item	Part No.	Description	QTY	Remark
------	----------	-------------	-----	--------

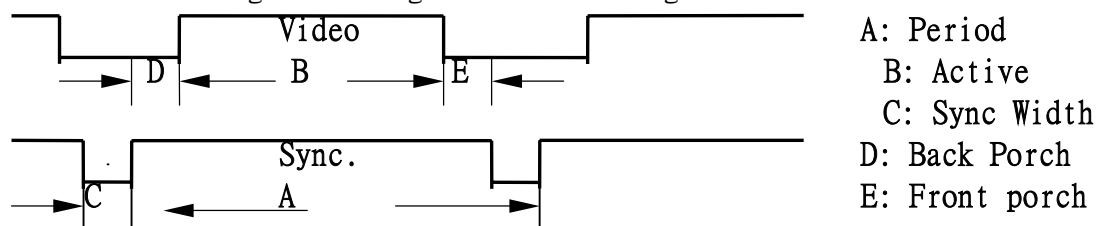
UNITS OR ASSEMBLY	NAME	REV	DESCRIPTION	DATE
DSN	MATERIAL	SCALE	DIM IN	M.M
CHK 張波	FINISH	QTY	UNITS UNLESS NOTED	±0.1
APPD	PROVIEW TECHNOLOGY (SHENZHEN) CO.,LTD.		OTHERWISE NOTED	±0.2
			ANG	±1/2°
			DRAWING NO.	

B. SPECIFICATIONS

- | | |
|-------------------------------------|--|
| 1. Display colors | 16.7M color |
| 2. Active Display Area | 337.9mm (H) x 270.3mm (V) |
| 3. Pixel Pitch | 0.264(H) x 0.264(V) mm |
| 4. Synchronization Range | |
| A. Horizontal | 31 – 80 KHz |
| B. Vertical | 60 – 75 Hz |
| 5. Power Source | 100 – 240 Vac / 50 – 60 Hz |
| 6. Power Consumption | 50W (max.) |
| 7. Input Signal | |
| A. Video | Analog R.G.B. , 0.7Vp-p / 75 Ohms |
| B. Sync. | TTL level, positive or negative polarity |
| 8. Connection Type | 15 Pin D Type |
| 9. Resolution | 1280 x 1024 pixels |
| 10. Color Temperature | Cool/warm |
| 11. Dimension (WxHxD) | 459mm(W) x 407mm(H) x 165mm(D) |
| 12. Monitor Weight | 7.5Kg |
| 13. Base Operation | |
| Tilt | 0 / + 15 degree |
| 14. Power Saving | |
| A. ON | < 50W |
| B. OFF | < 5W |
| 15. Signal Connector Pin Assignment | |
| A. Pin No. | |
| | 1. Red |
| | 2. Green |
| | 3. Blue |
| | 4. Ground |
| | 5. Self Test |
| | 6. Red Ground |
| | 7. Green Ground |
| | 8. Blue Ground |
| | 9. Not Connected |
| | 10. Sync. Ground |
| | 11. Ground |
| | 12. SDA |
| | 13. Horizontal Sync. |
| | 14. Vertical Sync. |
| | 15. SCL |

C. TIMING CHART

The video signal timing is as following :

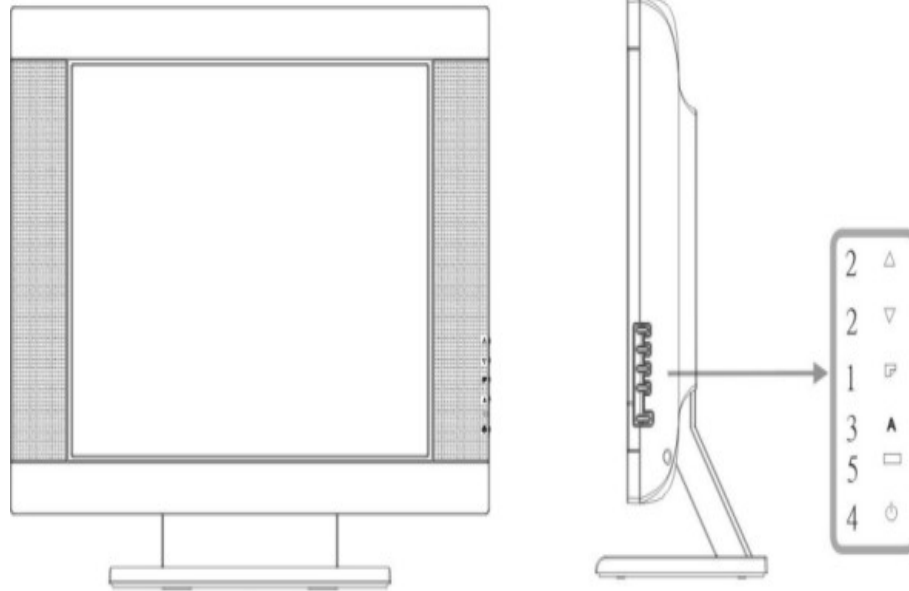


Preset Modes	VGA 640X350	VGA 640X400	VGA 640X480	VGA 640X480	VESA 640X480	VESA 640X480	VGA 720X350	VGA 720X400	VESA 800X600	VESA 800X600	VESA 800X600
Dot Rate	25.175MHz	25.175MHz	25.175MHz	31.340MHz	31.500MHz	31.500MHz	28.322MHz	28.322MHz	36.000MHz	40.000MHz	50.000MHz
F.H	31.469KHz	31.469KHz	31.469KHz	34.978KHz	37.861KHz	37.500KHz	31.469KHz	31.469KHz	35.156KHz	37.879KHz	48.077KHz
A-period	31.778us	31.778us	31.778us	28.590us	26.413us	26.667us	31.777us	31.777us	28.444us	26.400us	20.800us
B-Active	25.422us	25.422us	25.422us	20.421us	20.317us	20.317us	25.422us	25.422us	22.222us	20.000us	16.000us
C-Syn	3.813us	3.813us	3.813us	2.042us	1.270us	2.032us	3.813us	3.813us	2.000us	3.200us	2.400us
D-Back Porch	1.907us	1.907us	1.589us	3.063us	3.810us	3.810us	1.907us	1.907us	3.556us	2.200us	1.280us
E-Front Porch	0.636us	0.636us	0.954us	3.064us	1.016us	0.508us	0.635us	0.635us	0.666us	1us	1.12us
F . V	70.087Hz	70.087Hz	59.941Hz	66.625Hz	72.810Hz	75.000Hz	70.087Hz	70.087Hz	56.250Hz	60.317Hz	72.188Hz
A-Period	14.268ms	14.268ms	16.683ms	15.009ms	13.734ms	13.333ms	14.268ms	14.268ms	17.778ms	16.579ms	13.853ms
B-Active	11.122ms	12.711ms	15.253ms	13.723ms	12.678ms	12.800ms	11.122ms	12.711ms	17.067ms	15.840ms	12.480ms
C-Syn	0.064ms	0.064ms	0.064ms	0.086ms	0.079ms	0.080ms	0.064ms	0.064ms	0.057ms	0.106ms	0.125ms
D-Back Porch	1.907ms	1.112ms	0.794ms	1.115ms	0.528ms	0.427ms	1.907ms	1.112ms	0.626ms	0.607ms	0.478ms
E-Front Porch	1.175ms	0.381ms	0.572ms	0.085ms	0.449ms	0.026ms	1.175ms	0.381ms	0.028ms	0.026ms	0.77ms
H/V SYNC	+ -	- +	- -	- -	- -	- -	+ -	- +	+ +	+ +	+ +
Interlace	NON	NON	NON	NON	NON	NON	NON	NON	NON	NON	NON

Preset Modes	VESA 800X600	MAC 832X624	VESA 1024X768	VESA 1024X768	VESA 1024X768	VESA 1280X1024	VESA 1280X1024				
Dot	49.500MHz	55.000MHz	65.000MHz	75.000MHz	78.750MHz	108.00MHz	135.00MHz				
F.H	46.875KHz	49.107KHz	48.363KHz	56.476KHz	60.023KHz	63.98KHz	79.976KHz				
A-period	21.333us	20.364us	20.677us	17.707us	16.660us	15.630us	12.504us				
B-Active	16.162us	15.127us	15.754us	13.653us	13.003us	11.852us	9.481us				
C-Syn	1.616us	2.182us	2.092us	1.813us	1.219us	1.037us	1.067us				
D-Back Porch	3.232us	1.745us	2.462us	1.920us	2.235us	2.296us	1.837us				
E-Ft Porch	0.323us	1.31us	0.369us	0.321us	0.203us	0.444us	0.119us				
F . V	75.000Hz	75.087Hz	60.004Hz	70.069Hz	75.029Hz	60.020Hz	75.025Hz				
A-Period	13.333ms	13.318ms	16.666ms	14.272ms	13.328ms	16.661ms	13.329ms				
B-Active	12.800ms	12.707ms	15.880ms	13.599ms	12.795ms	16.005ms	12.804ms				
C-Syn	0.064ms	0.061ms	0.124ms	0.106ms	0.050ms	0.047ms	0.038ms				
D-Back Porch	0.448ms	0.428ms	0.600ms	0.513ms	0.466ms	0.594ms	0.475ms				
E-Front Porch	0.021ms	0.122ms	0.062ms	0.054ms	0.017ms	0.016ms	0.013ms				
H/V SYNC	+ +	- -	- -	- -	+ +	+ +	+ +				
Interlaced	NON	NON	NON	NON	NON	NON	NON				

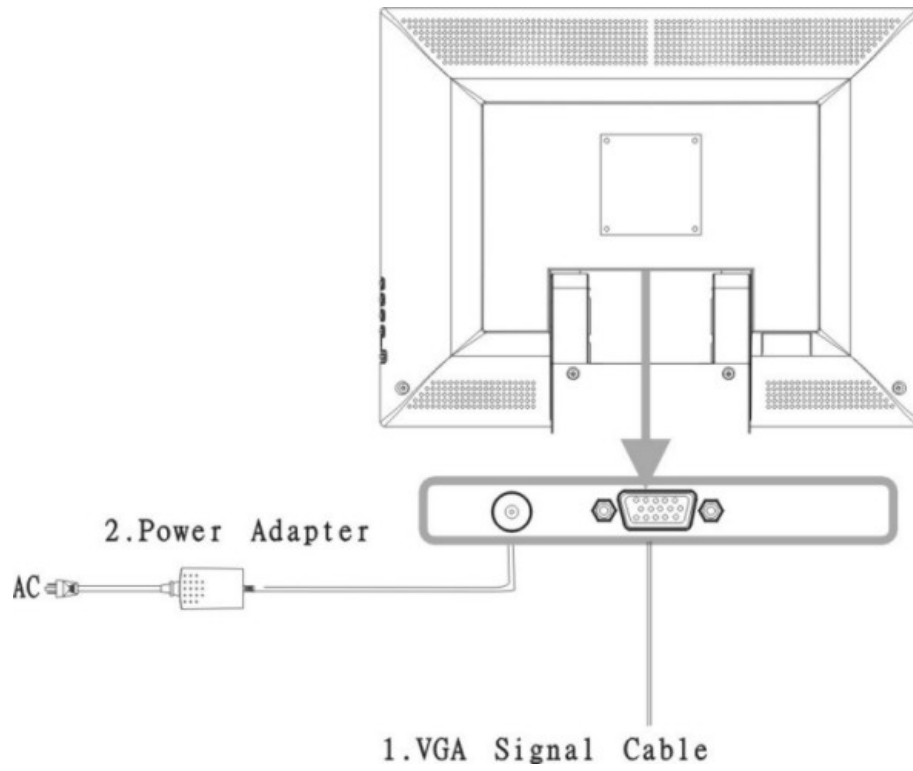
D. CONTROL LOCATION

Font control panel



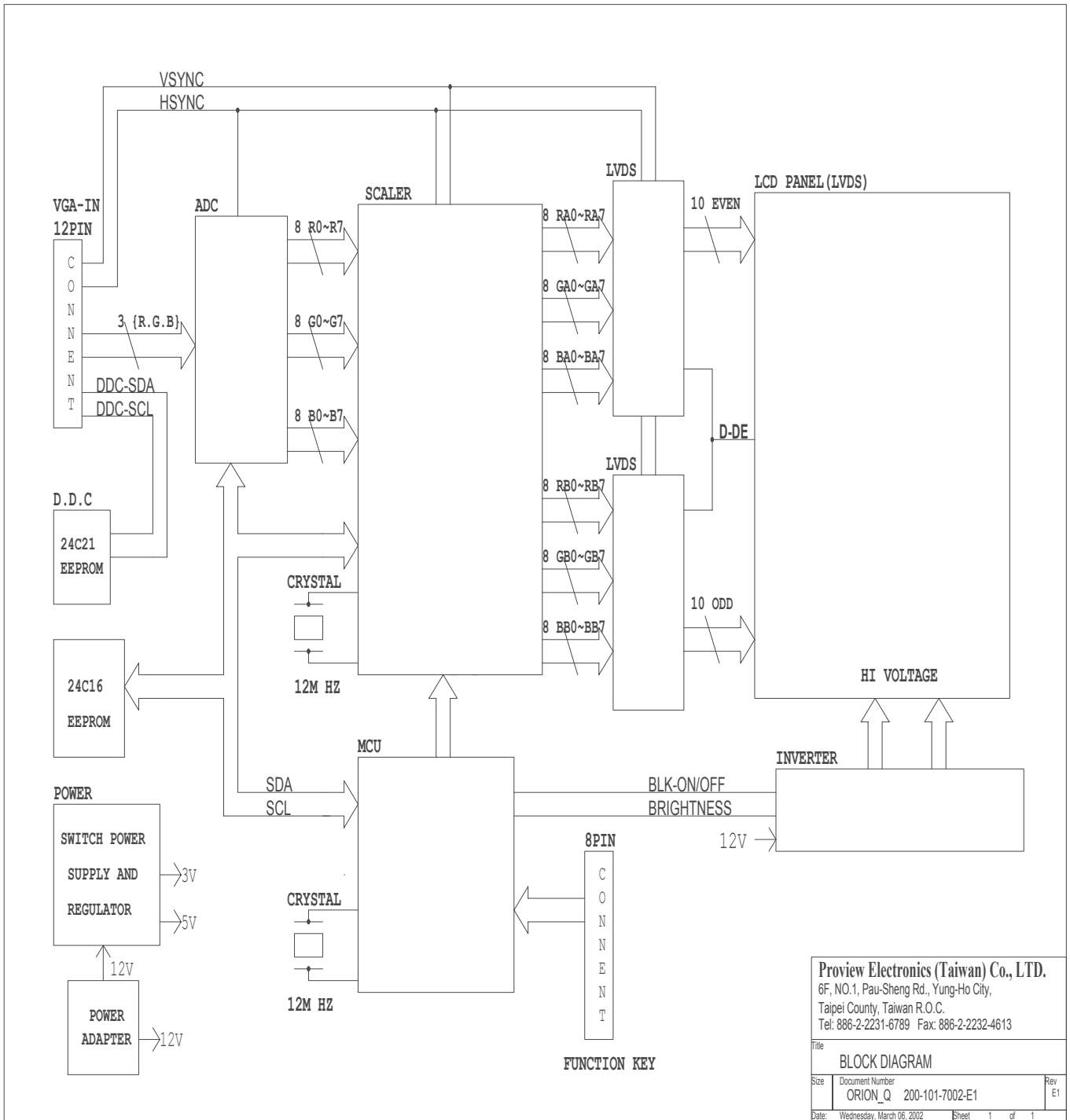
1. Menu Button
2. Select Button
3. Auto Button
4. Power Button
5. Led (Power Display)

Rear control panel



1. Line in jack
2. Power jack

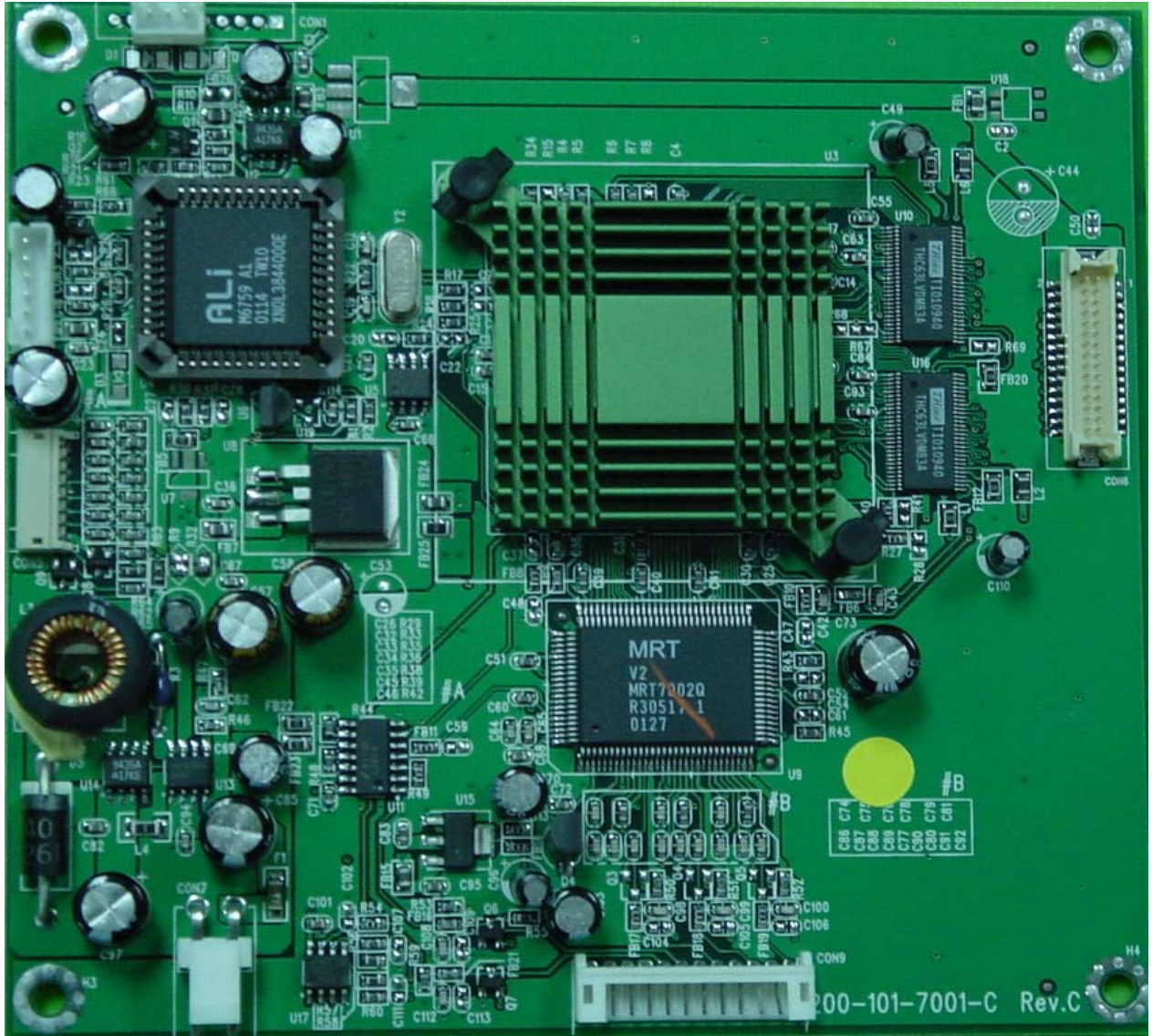
E. BLOCK DIAGRAM



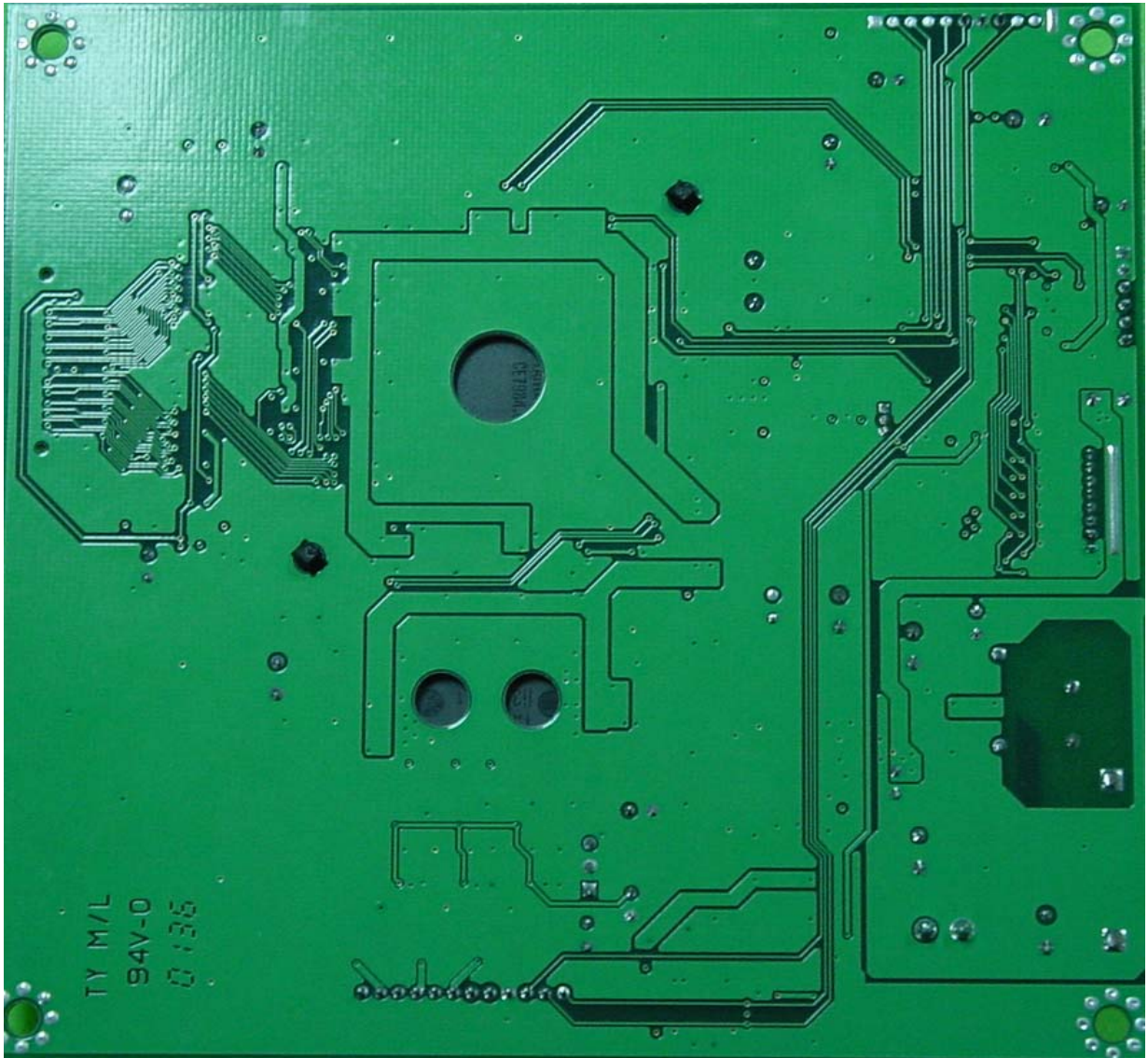
Proview Electronics (Taiwan) Co., LTD.		
6F, NO.1, Pau-Sheng Rd., Yung-Ho City, Taipei County, Taiwan R.O.C. Tel: 886-2-2231-6789 Fax: 886-2-2232-4613		
Title	BLOCK DIAGRAM	
Size	Document Number	Rev
	ORION_Q 200-101-7002-E1	E1
Date:	Wednesday, March 06, 2002	Sheet 1 of 1

F. CONDUCTION VIEW

MAIN BOARD (Component Side)

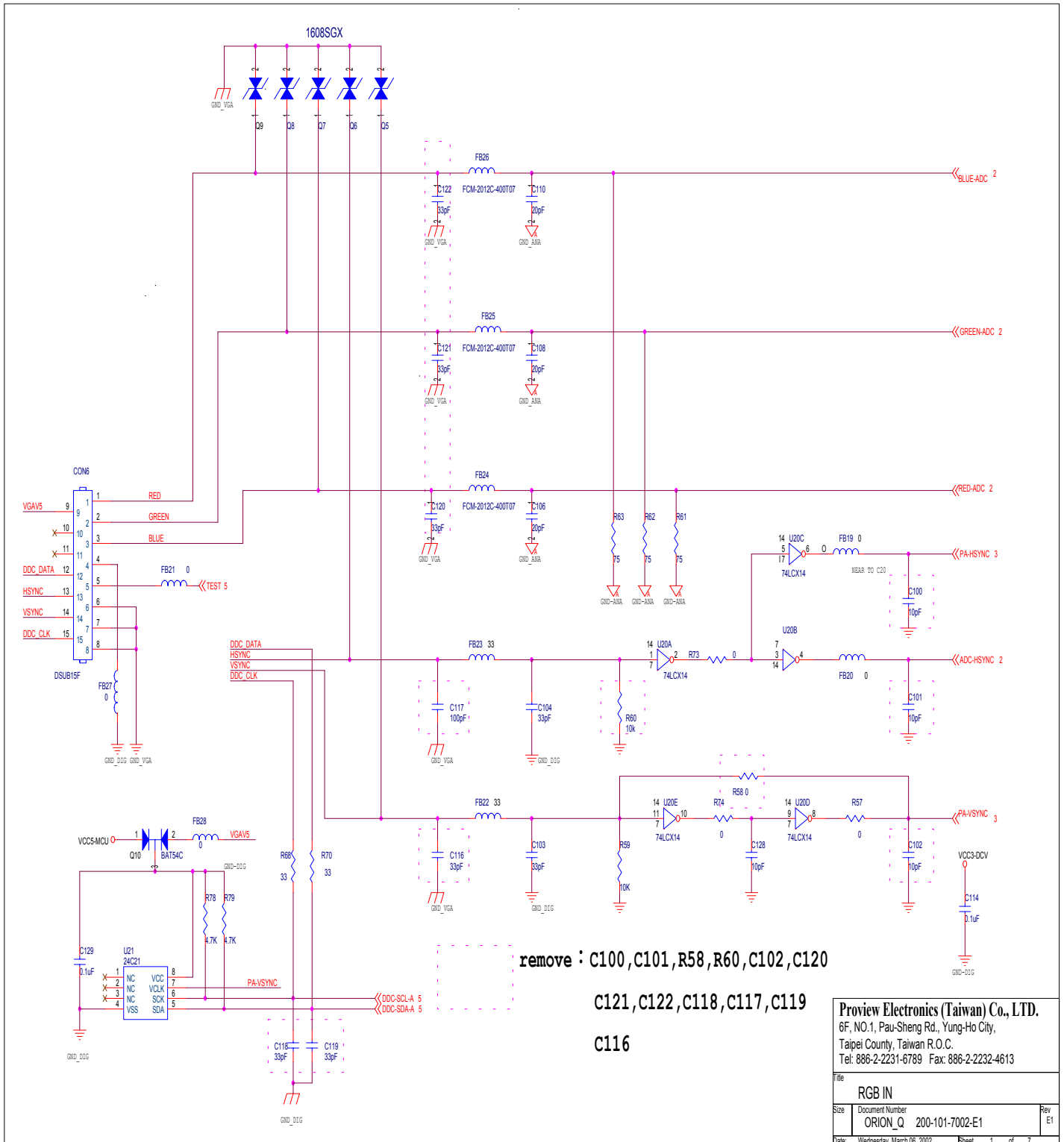


MAIN BOARD (Soild Side)

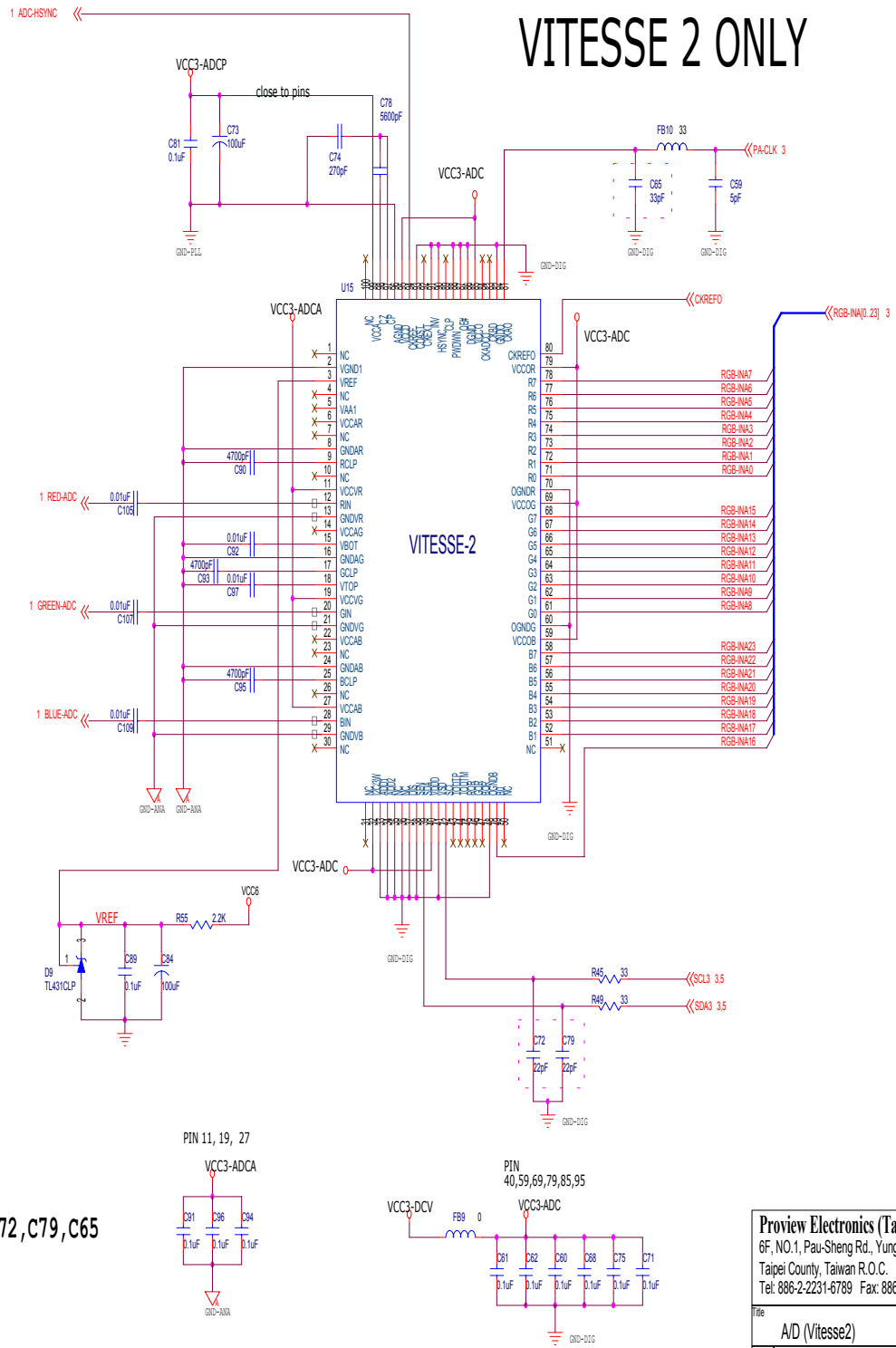


G. SCHEMATIC DIAGRAM

Main Board

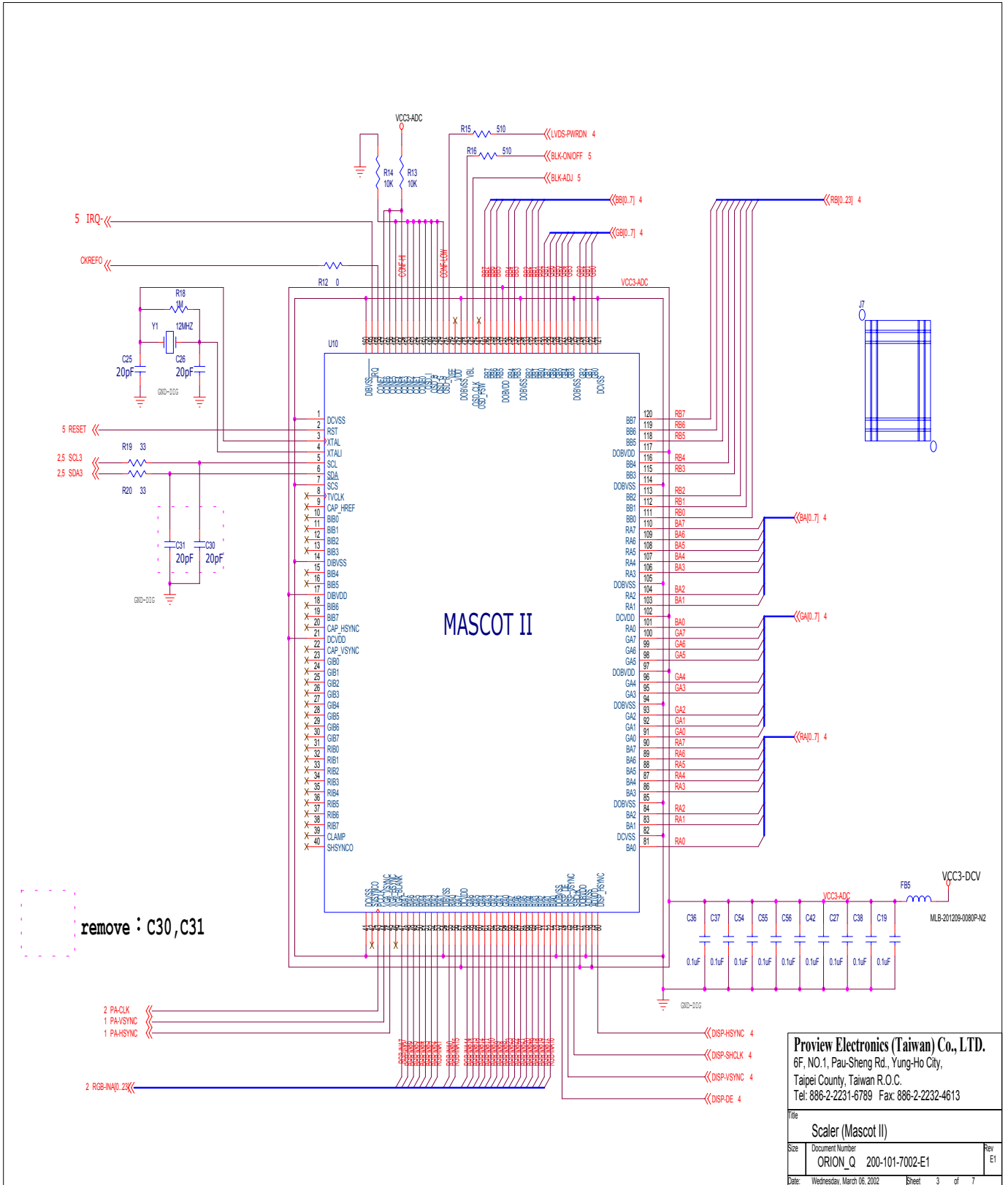


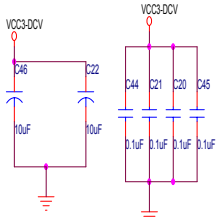
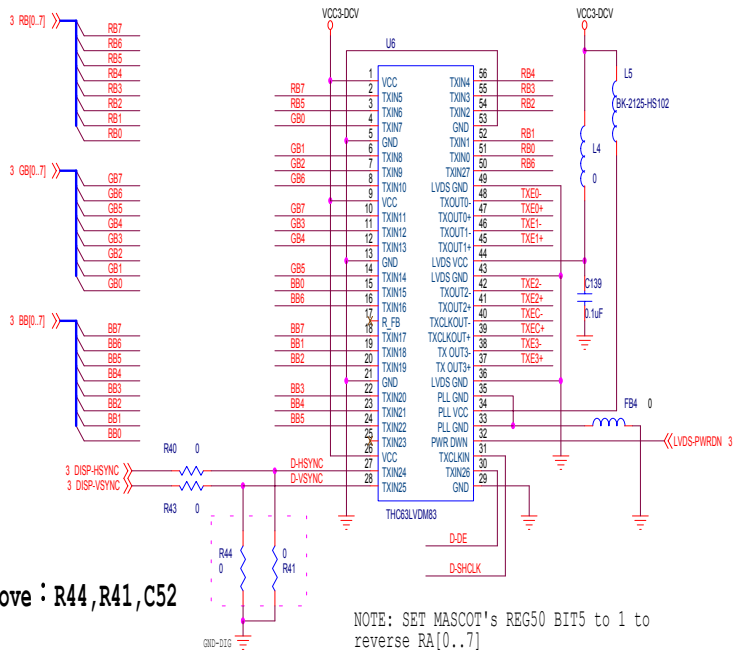
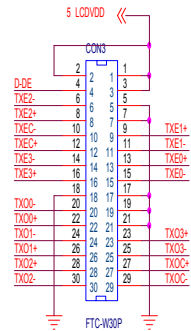
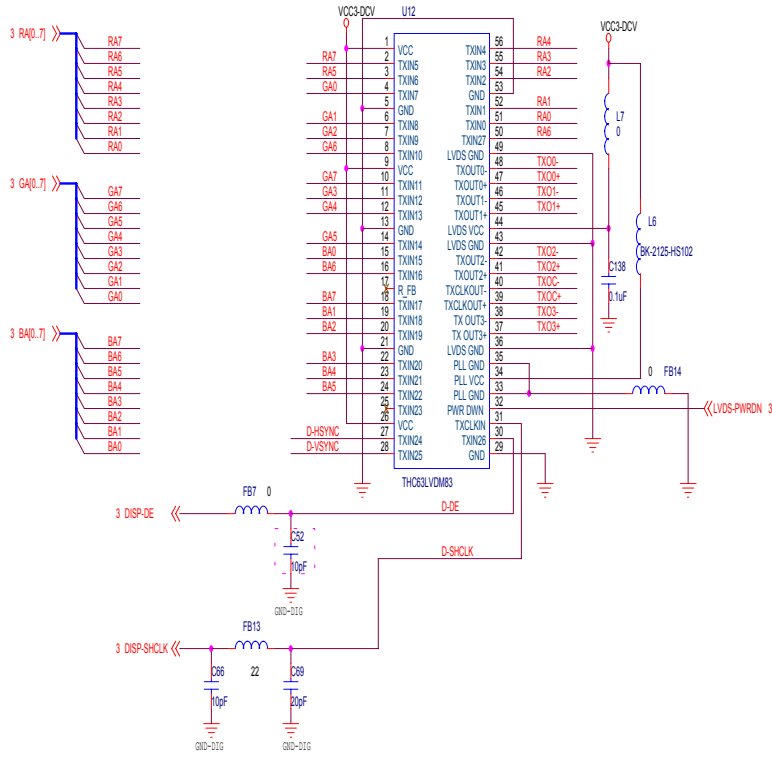
VITESSE 2 ONLY



Proview Electronics (Taiwan) Co., LTD.
 6F, NO.1, Pau-Sheng Rd., Yung-Ho City,
 Taipei County, Taiwan R.O.C.
 Tel: 886-2-2231-6789 Fax: 886-2-2232-4613

Title		A/D (Vitesse2)	
Size	Document Number	ORION_Q	200-101-7002-E1
Date:	Wednesday, March 06, 2002	Sheet	2 of 7



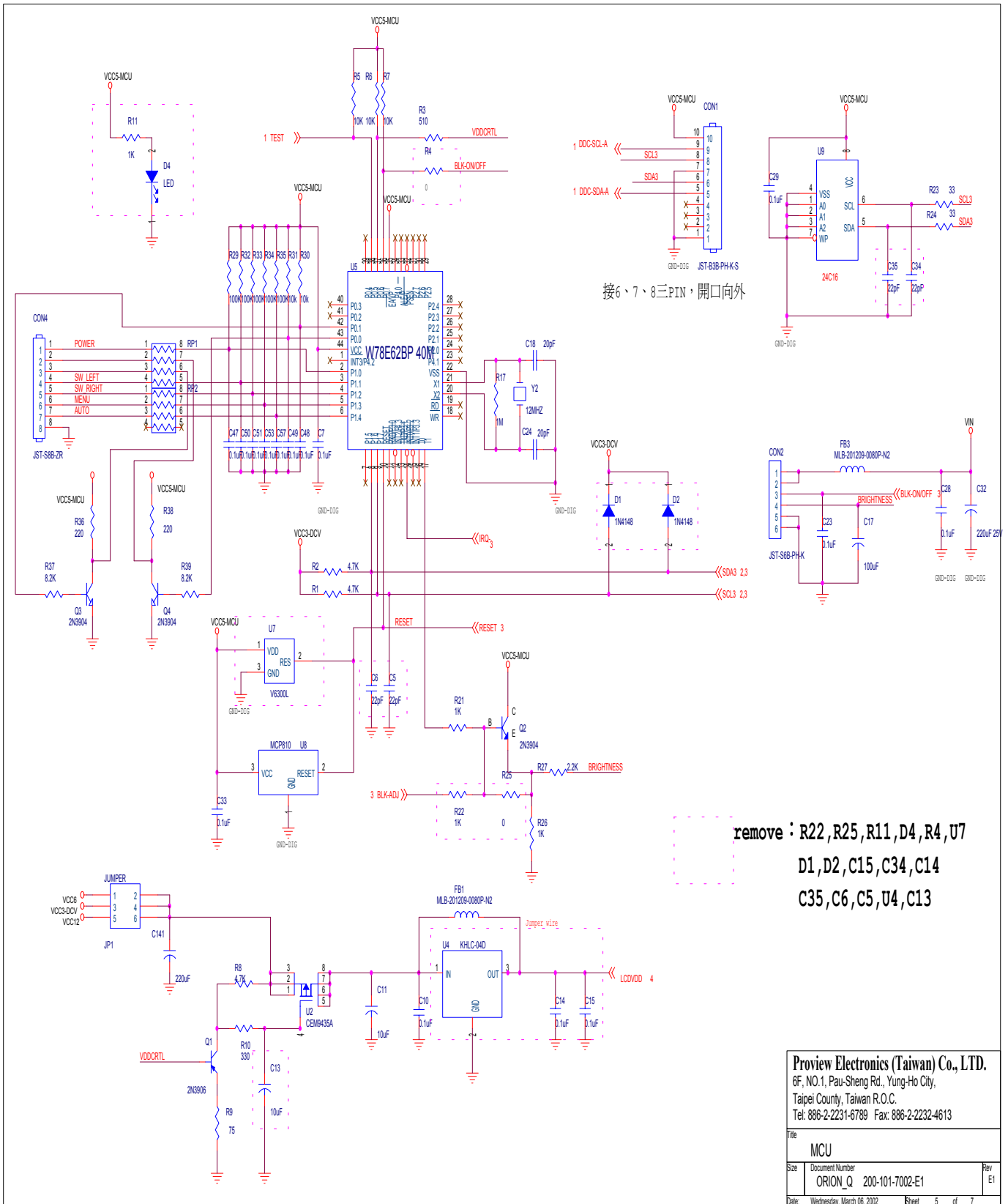


remove : R44, R41, C52

NOTE: SET MASCOT's REG50 BIT5 to 1 to reverse RA[0..7]

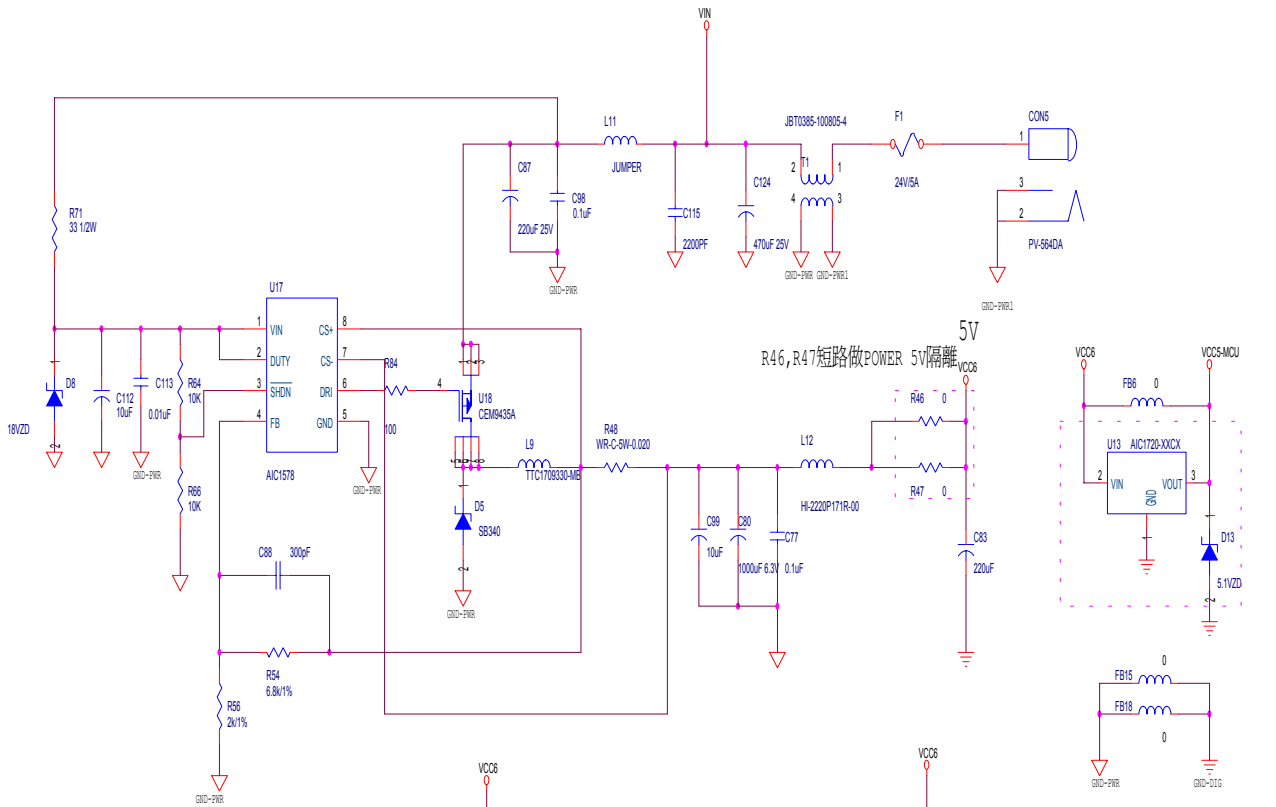
Proview Electronics (Taiwan) Co., LTD.
 6F, NO.1, Pau-Sheng Rd., Yung-Ho City,
 Taipei County, Taiwan R.O.C.
 Tel: 886-2-2231-6789 Fax: 886-2-2232-4613

file		
Output I/F (LVDS)		
Size	Document Number	Rev
	ORION_Q 200-101-7002-E1	E1
Date:	Wednesday, March 06, 2002	Sheet 4 of 7



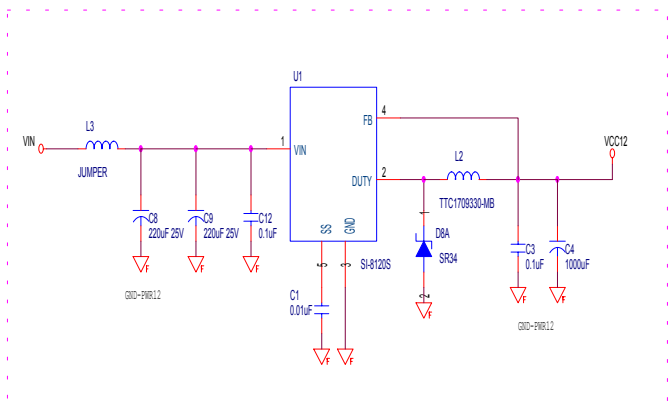
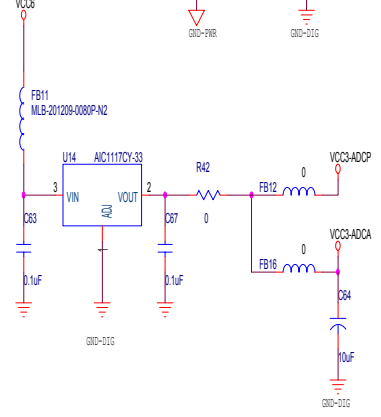
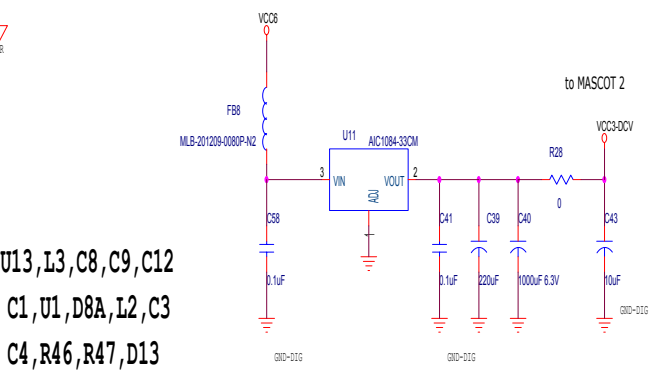
Proview Electronics (Taiwan) Co., LTD.
6F, NO.1, Pau-Sheng Rd., Yung-Ho City,
Taipei County, Taiwan R.O.C.
Tel: 886-2-2231-6789 Fax: 886-2-2232-4613

Title MCU		
Size	Document Number ORION_Q 200-101-7002-E1	Rev E1
Date	Wednesday, March 06, 2002	Sheet 5 of 7



remove :

- U13, L3, C8, C9, C12
- C1, U1, D8A, L2, C3
- C4, R46, R47, D13

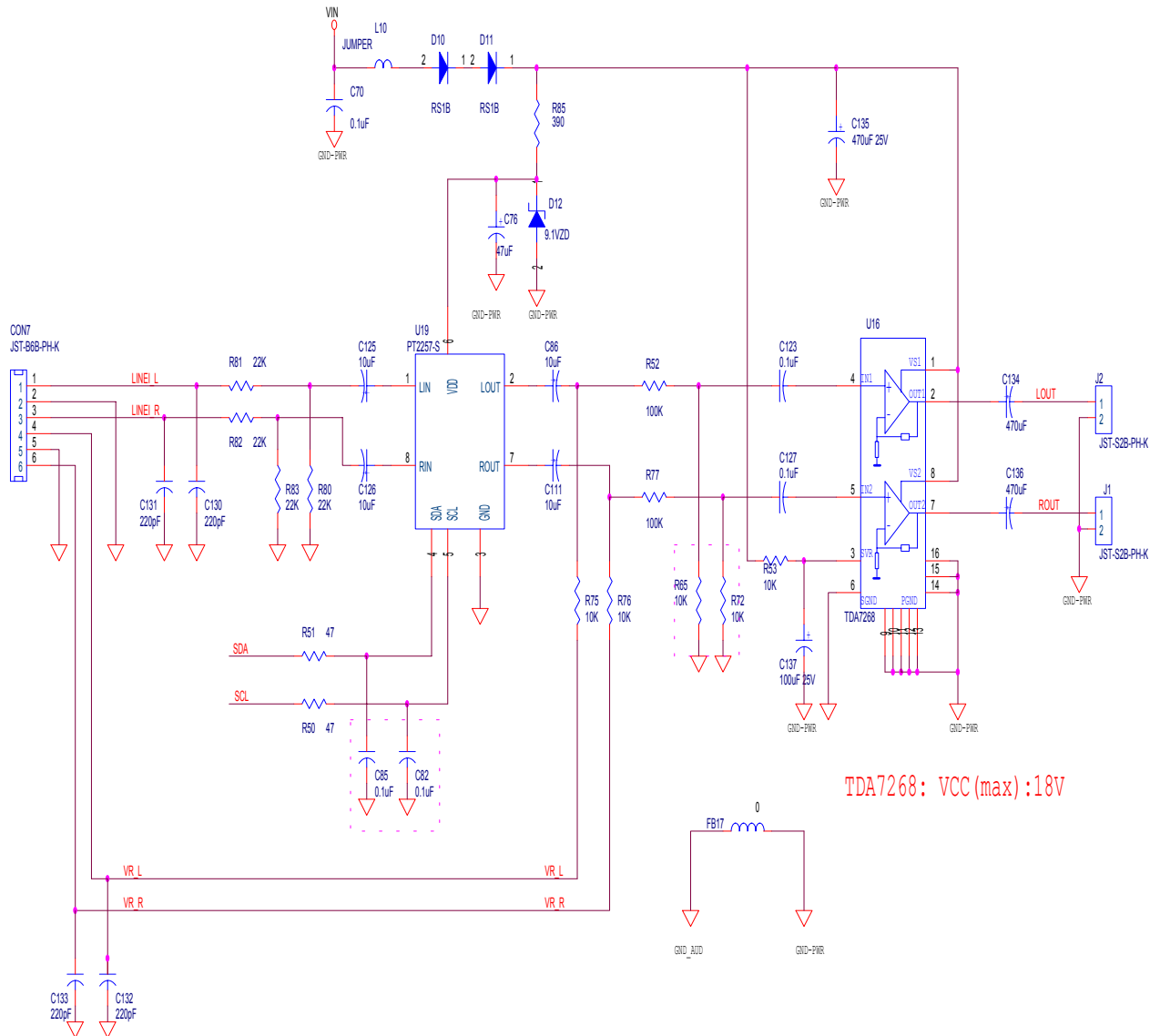


Proview Electronics (Taiwan) Co., LTD.
 6F, NO.1, Pau-Sheng Rd., Yung-Ho City,
 Taipei County, Taiwan R.O.C.
 Tel: 886-2-2231-6789 Fax: 886-2-2232-4613

File
POWER

Size Document Number
 ORION_Q 200-101-7002-E1 Rev
 E1

Date: Wednesday, March 06, 2002 Sheet 6 of 7



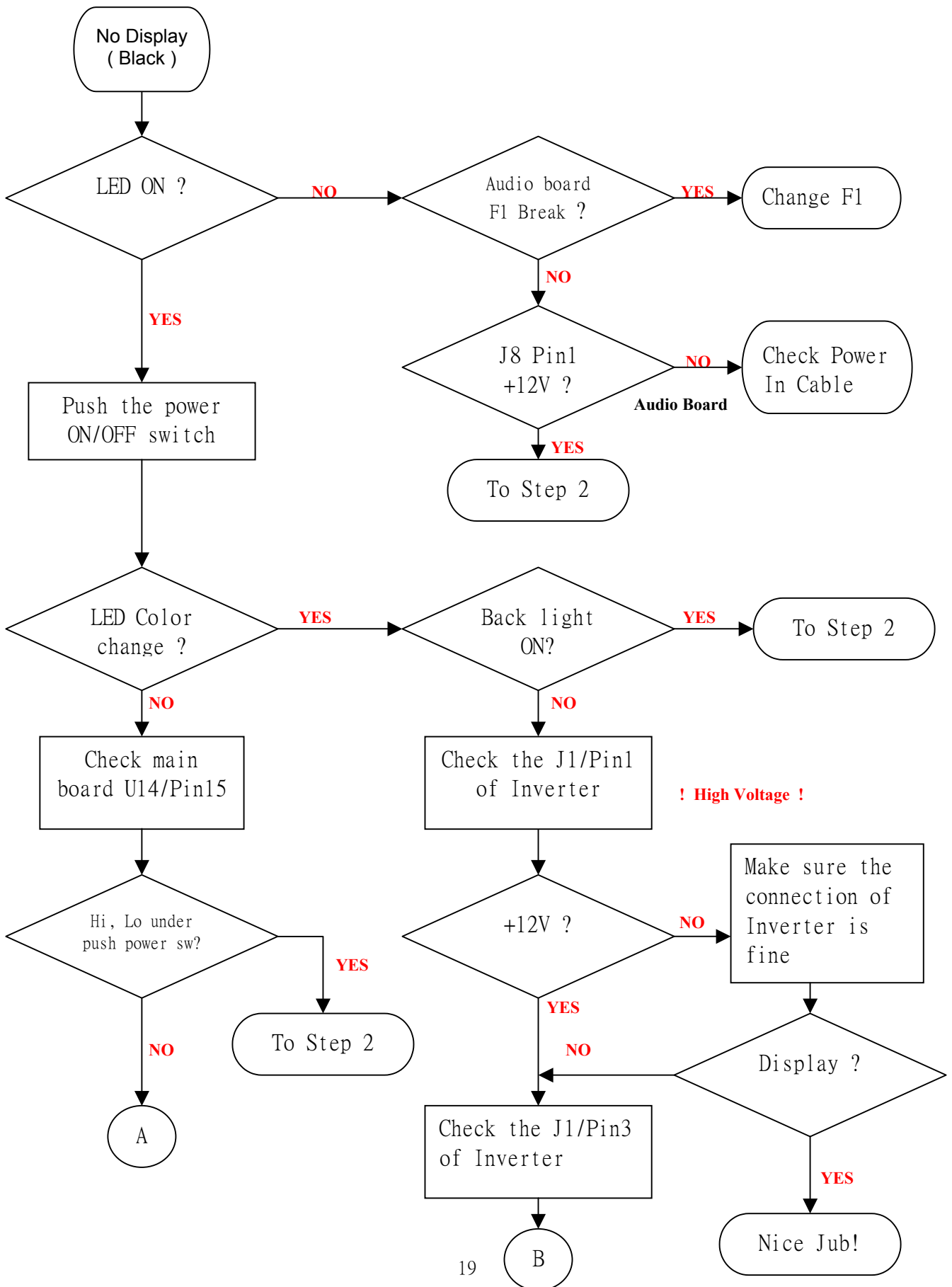
TDA7268: VCC(max):18V

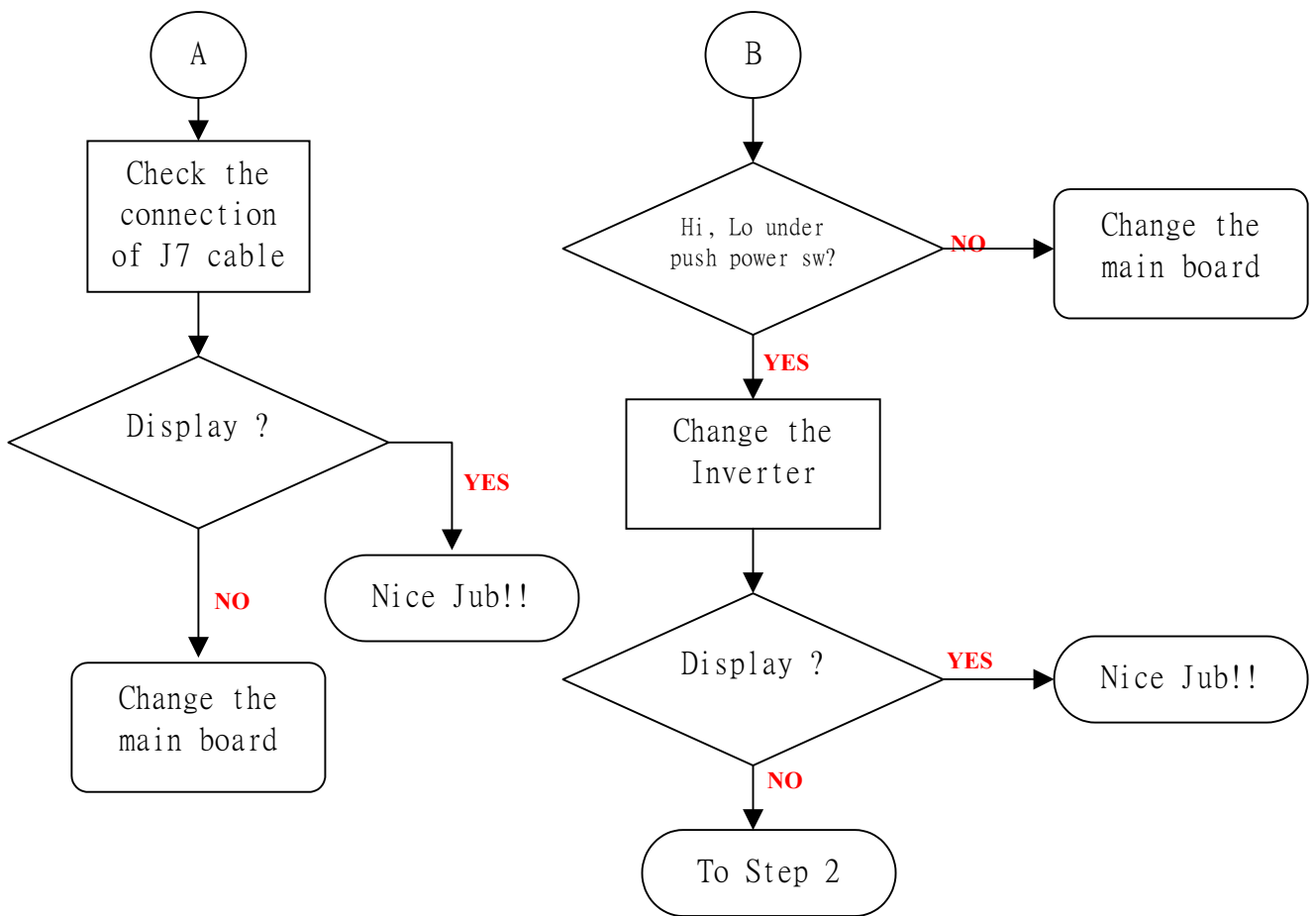
remove : C85,C82,R65,R72

Proview Electronics (Taiwan) Co., LTD.
 6F, NO.1, Pau-Sheng Rd., Yung-Ho City,
 Taipei County, Taiwan R.O.C.
 Tel: 886-2-2231-6789 Fax: 886-2-2232-4613

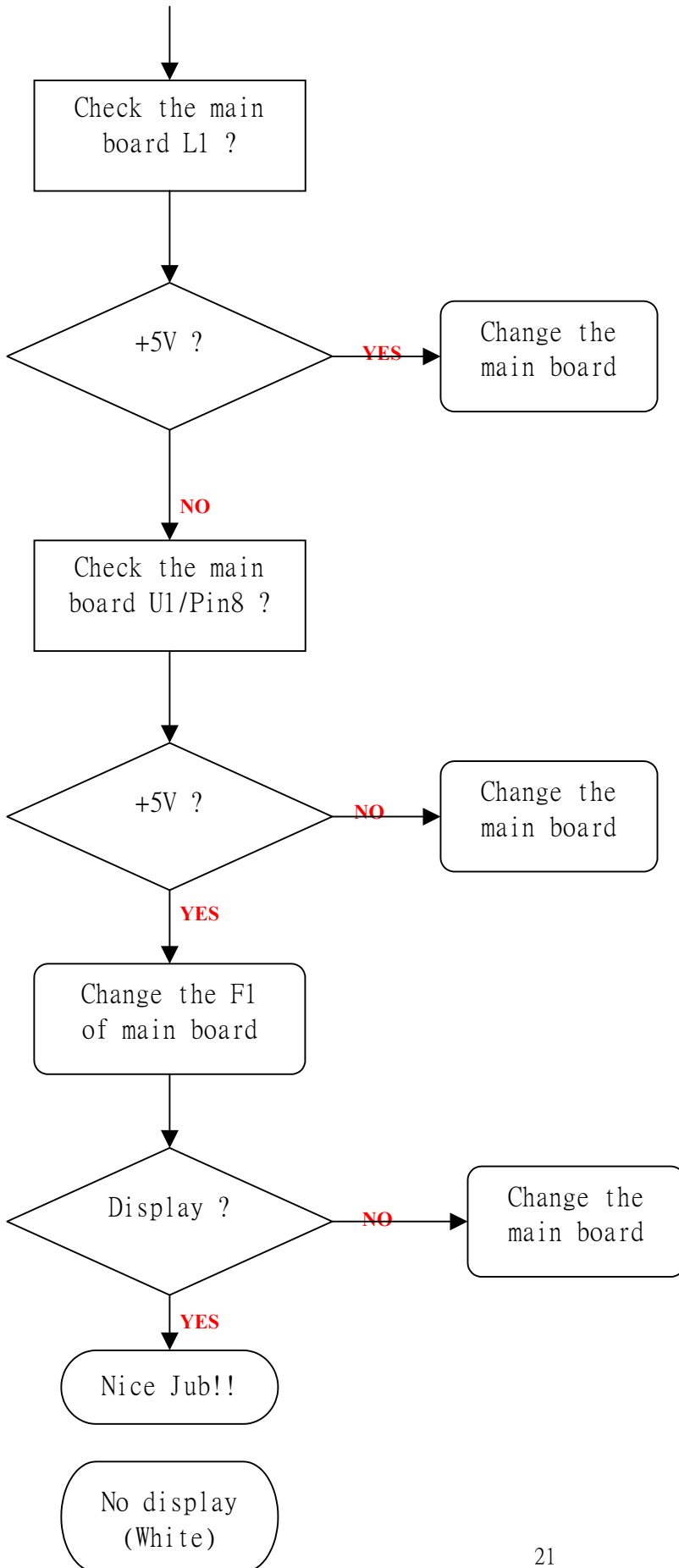
Title		
AUDIO		
Size	Document Number	Rev
	ORION_Q 200-101-7002-E1	E1
Date: Wednesday, March 06, 2002 Sheet 7 of 7		

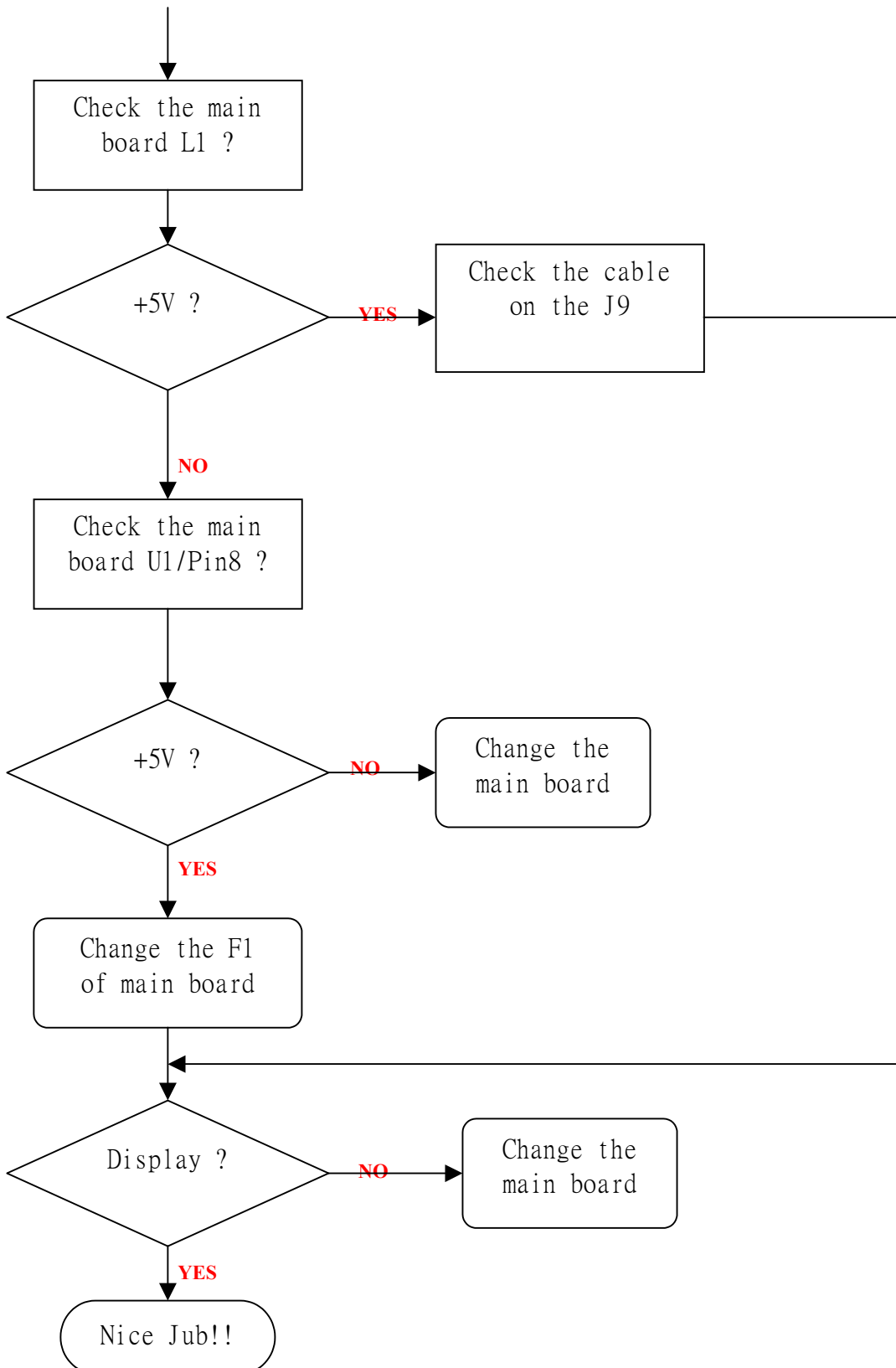
H. TROUBLE SHOOTING HINTS





Step 2





I. REPLACEMENT PARTS LIST

Item	Parts number	Description	QPA	Reference
------	--------------	-------------	-----	-----------

1	988-5L0-1003	BM-780 綜合式安規 中性 010/011	1	
2	002-001-0DOC-B	LCD SERIES 宣告書 H28xW21.8mm	1	
3	002-001-TCO95	ALL SERIES TCO95 單張安規說明書	1	
4	002-002-P457	BM14"15"17"中性 MANUAL*	1	
5	003-002-0848-1	CTN LBL 粉紅色底 100x55 *	1	
6	003-101-LCD2	LCD SERIES TCO 95 LBL COLOR	1	
7	003-201-0001	BAR CODE LABEL(空白)48*12m/m	1	
8	005-001-P700	LCD CTN 原色錶紙/B FLUTE PRO'V*	1	
9	005-002-LCDC	LCD13"15"附件紙箱 290x160x55mm	1	
10	153-001-LCD	LCD PT330/500 BACK LBL	1	
11	160-001-P700L	LCD POLY LON L EPS *	1	
12	160-001-P700R	LCD POLY LON R EPS *	1	
13	170-001-LCD5	LCD15" PE BAG 550x800x0.06mm	1	FOR SET
14	170-002-LCDS	LCD13"15SPK PE BAG100x400x0.04	1	
15	600-181-1500	美規三插對插 PC 電源線黑色 1.8M *	1	原 600-151-1500 自然切換
16	631-003-0001-H	立體聲耳機線 1650MM 白 直頭	1	
17	846-120-E0AL	AC->DC PW 轉換器 12V60W 三插 PC *	1	
18	999-MA6-AY765	BM-780 綜合式安規 中性 010/011	1	
19	899-000-7800	BM-780 M/B ASS'Y	1	
20	385-184-042574	SMD CC Y5V 0.18uF(M) 25V 0805*	1	C12,
21	385-104-032584	SMD CC 0.1uF 25V Y5V 0603 *	94	C15,C16,C17,C19,C20, C22,C24,C25,C27,C28, C29,C30,C37,C40,C41, C44,C45,C47,C48,C49, C57,C58,C59,C60,C61, C62,C63,C64,C65, C66,C67,C68,C69,C70, C71,C72,C73,C74,C75,C76, C77,C78,C79,C80,C81, C82,C83,C84,C85,C86,C87, C88,C89,C90,C91,C92,C93, C94,C95,C96,C97,C98,C99
22	382-103-032564	SMD CC 0.01uF/25V X7R 0603 *	2	C13,C53
23	382-473-032564	SMD CC 0.047uF 25V X7R 0603 *	3	C21,C23,C26,
24	382-102-032564	SMD CC 1000pF/25V X7R 0603 *	1	C33,
25	382-221-032564	SMD CC 220pF 25V X7R 0603 *	2	C42,C43, 335-221-1362 2nd
26	381-330-032554	SMD CC 33PF 25V NPO 0603 *	7	C14,C18,C38,C39, C50,C51,C111,
27	381-220-032554	SMD CC 22pF 25V NPO 0603 *	2	C31,C32,

28	381-331-032554	SMD CC 330pF 25V NPO 0603 *	8	C128,C129,C130,C131, C134,C135,C136,C137,
29	381-101-032554	SMD CC NPO 100pF/25V 0603 *	2	C142,C143,
30	381-181-032554	SMD CC 180pF 25V NPO 0603 *	2	C138,C139,
31	330-471-16205	MINI EC 470uF/16V TP 105C SK *	2	EC25,EC27,
32	330-102-06205	MINI EC 1000uF/6.3V TP SK *	2	EC23,EC26,
33	387-2R2-841674	SMD EC 2.2uF/16V TP 85C *	1	EC1,
34	387-100-841674	SMD EC 10uF/16V TP 85C *	20	EC3,EC11,EC12,EC14,EC15, EC16,EC18,EC20,EC21,EC22, EC24,EC28,EC29,EC31,EC32, EC33,EC34,EC35,EC37,EC38,
35	281-035-0R04	SMD R 0 ohm 5% 0603 *	16	R102,R100,R109,R110,R112, R113,R120,R121,R122,R123, R124,R125,R126,R127, R105,R91,
36	281-035-2204	SMD R 22 ohm 0603 *	3	R33,R34,R35,
37	281-035-4704	SMD R 47 ohm 0603 *	5	R36,R37,R52,R53,R64,
38	281-035-7504	SMD R 75 ohm 0603 *	4	R43,R44,R45,R104,
39	281-035-1014	RES 100 5% 1/10W 0603 #	3	R61,R65,R70,
40	281-035-1514	SMD R 150 ohm 0603 *	2	R29,R31,
41	281-035-1814	SMD R 180 ohm 0603 *	1	R95,
42	281-035-4714	SMD R 470 ohm 0603 *	3	R92,R94,R96,
43	281-035-2214	SMD R 0603 220 ohm *	2	R62,R67,
44	281-035-1024	RES 1K 5% 1/10W 0603 #	3	R10,R68,R93,
45	281-031-15014	RES 1.5K 1% 0603 1/10W SMD #	1	R8,
46	281-031-20014	SMD R 2K 1% 0603 *	3	R30,R32,R101,
47	281-035-4724	SMD R 4.7 K 0603 *	1	R1,
48	281-035-1034	RES 10K 5% 1/10W 0603 #	24	R9,R11,R13,R15,R21,R23, R25,R26,R27,R28,R38,R40, R41,R42,R47,R57,R58,R87, R97,R98,R99,R103,R106,R116,
49	281-031-47024	SMD R 47K 0603 1% *	2	R69,R71,
50	281-035-1044	RES 100K 5% 1/10W 0603 #	1	R117,
51	281-035-1064	SMD R 10M 0603 *	4	R73,R74,R83,R88,
52	281-031-62014	SMD R 6.2K 0603 *	1	R81,
53	281-031-20014	SMD R 2K 1% 0603 *	1	R82,
54	281-031-27424	SMD R 27.4K 1% 0603 *	1	R72,
55	281-035-3914	SMD R 390 ohm 0603 *	1	R119,
56	282-103-2454	SMD R ARRAY 10K 8P4R 1206 *	3	PR13,PR14,PR16,

57	282-470-2454	SMD R ARRAY 47 ohmx3 1206 *	12	PR1,PR2,PR3,PR4,PR5, PR7,PR8,PR9,PR10, PR6,PR11,PR12,
58	550-A60-3000	125V 3A 1206	1	F1,
59	630-012-7001	JST 2.0mm HEADER PH-K 臥式 S12B	1	J2,
60	630-002-D001	JST 3.96mm HEADER VH 臥式	1	J4,
61	630-008-C001	JST 1.5mm HEADER ZR 臥式 S8B-ZR	1	J7,
62	630-006-7001	JST 2.00mm HEADER PH-K 臥式 S6B	1	J8,
63	630-030-B000	FTC-W30P+1.25mm 高鼎	1	J9,
64	781-1R2-0762	SMD L 1.2uH 1206 *	1	L28,
65	745-330-2062-1	CHOCK 33uH(3A)10%立式(無底座)*	2	L18,L17,
66	780-104-3100	AMD FB CHB2012B310 0805 310 *	5	L6,L7,L8,L13,L14,
67	780-103-3000	SMD BEAD SBK160808-300Y 奇力新*	5	L12,L15,L25,L26,L27,
68	780-107-1510	SMD BEAD MLB321611-0150A 美磊 *	2	L5,L10,
69	780-107-8000	SMD BEAD MLB321611-0080P-N1W 美	3	L1,L16,L19,
70	780-104-3010	SMD BEAD MLB-201209-0300L-N2 美	3	L31,L32,L33,
71	780-407-1510	SMD ARRAY 1206 150ohm CF32161*	1	L20,
72	760-100-0002	BEADS INDUCTOR (TAPING) 6mm	1	L2,
73	530-240-0001-S	24MHZ 49US	1	X2,
74	530-500-0001-S	50MHZ 49US	1	X1,
75	506-178-E58P-24	CPU IC W78E58P-24 多次燒錄(華邦	1	U14,506-178-E58P-40 2nd
76	481-LCC-0440	PLCC SOC. 44P 1.27 *	1	U14,
77	506-2AI-C1578	IC DC TO DC AIC1578 SMD *	2	U13,U16,
78	506-5NM-24C16	LINEAR OC NM24C16M-8 (SMD) *	1	U7,
79	506-524-LC21	MEMORY IC 24LC21 SMD *	1	U9,
80	506-6AD-9884-2	A/D D/A AD9884KST-140 SMD *	1	U5,
81	506-774-LVT14	74LVT14 ADCW HI SPEED	1	U10,
82	506-7NC-7ST32	NC7ST32 TTL OR GATE SMD *	1	U4,
83	518-1XP-132A	MOSFET IC XP132A01AOSR SMD *	3	U1,U12,U15, 518-1XP-132A-1 518-1CE-9435 2nd
84	506-S00-GMZ4	SCALER GMZ4 SMD BGA 296PIN *	1	U3,
85	506-0AI-CY33	AIC1117CY-33 3.3V 900mA SMD *	2	Q7,Q5,
86	506-0AI-CY28	AIC1117CY-28 2.8V 900mA SMD *	1	Q6,
87	518-02N-3904	TR. 2N3904 SMD *	1	Q4,
88	504-000-6300L	RESET IC. V6300L TO92(DIP)	1	Q2,
89	520-010-5820	DIODE. 1N5820	2	D1,D2, 522-030-B340-T 2nd
90	506-5KM-G112	SGRAN 1Mhz*32 KM4132G112Q-7 *	2	U19,U18,
91	506-0S2-150A	S2150ACT100 PANEL LINK IC SMD*	1	U20,

92	200-101-7000	PRO-700 M/PCB	1	M/PCB,
93	387-221-860674	SMD EC 220uF 6.3V 6.3x5.4 *	4	EC10,EC13,EC19,EC36, 387-221-841674 2nd220uf 16V
94	281-035-3314	SMD R 0603 330 ohm *	2	R63,R66,
95	780-107-1210	SMD BEAD MLB-321611-0120P-N1 美	4	L22,L23,L24,L11,
96	631-001-4050	4.3D 綠滾黃 1015#18 90mm *	1	
97	902-BM0-6006	BM-780 綜合式安規 中性 010/011	1	
98	100-006-3062	R3x6mm TP+ISO 五彩鋅 *	19	INVERTER SHIELD+FRAME*2, MAIN BOARD SHIELD +FRAME*12, CORE+FRAME*1, MAIN BOARD+FRAME*4
99	100-008-3012	SCREW R3*8mm TP1	3	FOR BASE BRACKET + BASE*2 BASE+BASE FRAME*1
100	100-010-3013	SCREW R3x10 TP1 鍍鎳 *	2	FOR HING COVER+BASE*2
101	100-008-3032	SCREW R3*8mm ISO	21	FOR LCD PANEL+ LCD FRAME *4, FRAME+FRONT PANEL*2, FRONT PANEL+REAR COVER*4, REAR COVER+ REARPANEL COVER*1, INVERTER PCB+FRAME*2, BASEBRACKET+AUDIO PCB*4 FRAME+HIGHE*4,
102	100-008-3032-1	SCREW NYLOK R3xL8.0 ISO *	4	HINGE+BASEBRACKET*4
103	105-008-3012	SCREW T3*8mm TP1	15	FOR VR BRACKET+BASE*1, FRONT PANEL+OSDBOARD*6, FRAME+FRONTPANEL*4, SPEAKER+BASE*4
104	108-308-4133	SCREW R/W4*8mm ISO+LOCK	1	
105	120-001-M780	散熱片 LCD AY765 IC BGA296P 用 *	1	
106	121-001-P700	LCD VR BRACKET SECC t=1.0mm *	1	
107	121-002-P700	LCD BASE BRACKET SECC t=1.6mm*	1	
108	123-001-P700	LCD MAIN BOARD SHIELD SPTE *	1	
109	123-002-P700	LCD FRAME SECC t=1.0mm *	1	
110	123-003-P700	LCD INVERTER SHIELD t=0.3mm *	1	
111	126-001-P700	LCD HONGE SUS t=2.0mm *	1	
112	151-001-AY765	REAR COVER EMC-011 *	1	

113	151-002-AY765	REAR PANEL COVER EMC-010 *	1	
114	151-101-AY765	PANEL NO BRABD EM010 *	1	
115	151-701-AY765	BASE EMC-011 *	1	
116	151-702-AY765	BASE COVER EMC-011 *	1	
117	154-001-AY765	HINGE COVER EMC011 *	1	
118	154-002-AY765	BASE SPK COVER EMC-010 *	1	
119	154-003-AY765-A	BM785 POWER KNOB EM-011 *	1	
120	154-004-AY765	VR KNOB *	1	
121	154-005-AY765-A	BM785 OSD KNOB EM-011 *	1	
122	154-005-P700	LCD POWER LENS 透明 ACRYLIC *	1	
123	154-006-AY765	BASE USB COVER EMC-011 *	1	
124	154-008-AY765	PROTECT CAP AY765 #	1	
125	154-008-P700	LCD HINGE SHIELD COVER EMPCG7C	2	
126	155-116-9002	RUBBER FOR SPK ϕ 16*2.0 #	2	
127	155-118-0025-A	PT-300/500 RUBBER FOOT 17.6□	4	
128	230-503-177B-2	B50K*2 F121KG F-TYP 17"L15 無 SW	1	
129	610-181-15B8-2	原 15B8 追加接地 EMI 17" 1.8M *	1	
130	631-002-H000-1	POWER CABLE H000 改絞線 *	1	POWER IN TO M/B
131	631-002-H001-1	DC JACK CABLE H001 加 GND PIN *	1	
132	631-004-D005	SP 4P 線 20cm P:2mm TO BM 系列	1	
133	631-006-D002-1	INVETER WIRE D002 改絞線 *	1	M/B TO INVERTER
134	631-006-D003	6P TO 1 端留線頭+錫 25cm 2m BM 系	1	AUDIO/B TO VR 50K
135	631-008-G000-1	TACT SW CABLE G000 改絞線 *	1	M/B TO CONTROL/B
136	631-031-E000-1	PANEL LINK 加導電布 30TO 31 PIN*	1	M/B TO PANEL LINE
137	650-003-0081	束線帶 CABLE TIE ALT-0.85S	2	
138	710-204-0EP7	EP17" SP 8ohm 2W	2	
139	104-008-3032	SCREW R/W3*8mm ISO	1	CORE+BASE FRAME*1
140	105-010-3012	SCREW T3*10mm TP1	7	BASE COVER+BASE*5, BASE USB COVER+BASE*2
141	899-C00-7800	BM-780 AUDIO PCB ASS'Y	1	
142	318-154-0550	MEM. 0.15uF/50V +-5% TP	2	C1,C2,
143	330-1R0-50275	MINI EC 1uF/50V TP 105C SM *	4	EC4,EC5,EC9,EC10,
144	330-101-16275	MINI EC 100uF/16V 105C SM TPMI	6	EC2,EC3,EC7,EC8,EC12,EC13,
145	330-471-16205	MINI EC 470uF/16V TP 105C SK *	3	EC1,EC6,EC11,
146	330-102-16203	MINI EC 1000uF/16V SK *	1	EC14,
147	210-102-0856	R-CF. 1K ohm 1/8W +-5%	2	R2,R3,
148	210-223-0856	R-CF. 22K ohm 1/8W +-5%	2	R1,R4,
149	409-005-0103	PHONE JACK TCO99 SCJ-0346M2(B)	1	J4,
150	409-005-0105	PHONE JACK TCO99 SCJ-0346M2(G)	1	J2,

151	504-A00-2025	AUDIO AMP IC. TEA2025B	1	U2,
152	505-001-7809	THREE TERMINAL REGULATOR KA780	1	U1,
153	550-850-5000	電阻型保險絲 125V/5A	1	F1,
154	630-002-D000	JST 3.96mm HEADER VH 立式	2	J7,J8,
155	622-106-0201	JUMPER 2.54mm 0.6D 鍍鎳	1	J9,
156	630-006-1009	BASE 6Pin JWT A2001 直 PITCH 2.0	1	J1,
157	760-100-0002	BEADS INDUCTOR (TAPING) 6mm	2	L1,L2,
158	200-B00-7000	PRO2K-700 AUDIO/B PCB	1	
159	630-004-1009	BASE 4Pin JWT A2001 直 PITCH 2.0	1	J3,
160	210-104-0856	R-CF. 100K ohm 1/8W +-5%	2	L3,L4,
161	307-221-1170	CC. 220pF/50V +-20% TP	2	C4,C5,
162	328-104-2690	CC AXIAL 0.1uF Z / 50V	1	C3,
163	899-400-7800	BM-780 VR CONTROL/B ASS'Y	1	
164	401-170-0200	MD-848 TACT SW 臥式 H=5mm TSAB1	5	S1,S2,S3,S4,S5,
165	520-005-0302	PT500 LED LT0302-23(華興)	1	D1,
166	630-008-C001	JST 1.5mm HEADER ZR 臥式 S8B-ZR	1	J1,
167	200-400-7000	PRO2K-700 VR CONTROL PCB	1	
168	705-470-2601	17"LCD P/LINK 三星:LT170E2-132	1	
169	849-400-0001	INVETER 17" FOR 4 燈管 *	1	

MEMO
