



**OPERATOR'S AND PARTS  
MANUAL  
X6075 / X8075 / 8K2  
HIGH TORQUE & TWO SPEED  
AUGER DRIVES**



**PALADIN**  
LIGHT CONSTRUCTION GROUP



*The Power of Combined Excellence*



**SERIAL NUMBER:** \_\_\_\_\_

**MODEL NUMBER:** \_\_\_\_\_

**Manual Number: OM723  
Part Number: 75623  
Rev.**



# TABLE OF CONTENTS

## X6075, X8075 & 8K2 AUGER DRIVES

<b>PREFACE</b> .....	3
<b>SAFETY PRECAUTIONS</b>	
SAFETY STATEMENTS .....	5
GENERAL SAFETY PRECAUTIONS .....	5-7
EQUIPMENT SAFETY PRECAUTIONS .....	8
<b>INSTALLATION</b> .....	9-11
<b>HYDRAULIC SYSTEM HOOK-UP INSTRUCTIONS</b> .....	12
<b>OPERATING INSTRUCTIONS</b> .....	13-14
<b>MAINTENANCE</b>	
LUBRICATION .....	15
DAILY INSPECTION .....	15
PLANETARY GEARBOX .....	16
STORAGE PROCEDURE .....	16
PLANETARY GEAR REDUCTION SERVICE PARTS .....	17
<b>OPTIONS</b>	
AUGER OPTIONS .....	18-20
AUGER WEAR PARTS .....	20-21
<b>TROUBLESHOOTING</b> .....	22
<b>SPECIFICATIONS</b> .....	23
<b>LIMITED WARRANTY</b> .....	25
<b>PARTS</b>	
X6075 AUGER DRIVE ASSEMBLY .....	26-27
X8075 AUGER DRIVE ASSEMBLY .....	28-29
8K2 AUGER DRIVE ASSEMBLY .....	30-31
REPLACEMENT PARTS - 8K2 HYDRAULIC VALVE .....	32-33
<b>HEAVY DUTY MOUNTING KITS</b>	
TLB & EXCAVATOR MOUNTING - QUICK HITCH COUPLER STYLE .....	36-37
SKID STEER LOADER MOUNTING .....	38-39
TLB & EXCAVATOR - PIN GRABBER/PIN ON STYLE - PIVOT MOUNTING .....	40-41
DIPPER MOUNTING - PENDULUM STYLE .....	42-43
EXCAVATOR WELD ON MOUNTING .....	44-45

**THIS PAGE  
IS INTENTIONALLY  
BLANK**

# PREFACE

## GENERAL COMMENTS

Congratulations on the purchase of your new McMillen product! This product was carefully designed and manufactured to give you many years of dependable service. Only minor maintenance (such as cleaning and lubricating) is required to keep it in top working condition. Be sure to observe all maintenance procedures and safety precautions in this manual and on any safety decals located on the product and on any equipment on which the attachment is mounted.

This manual has been designed to help you do a better, safer job. Read this manual carefully and become familiar with its contents.

**WARNING!**  Never let anyone operate this unit without reading the "Safety Precautions" and "Operating Instructions" sections of this manual. Always choose hard, level ground to park the vehicle on and set the brake so the unit cannot roll.

Unless noted otherwise, right and left sides are determined from the operator's control position when facing the attachment.

**NOTE:** The illustrations and data used in this manual were current (according to the information available to us) at the time of printing, however, we reserve the right to redesign and change the attachment as may be necessary without notification.

## BEFORE OPERATION

The primary responsibility for safety with this equipment falls to the operator. Make sure the equipment is operated only by trained individuals that have read and understand this manual. If there is any portion of this manual or function you do not understand, contact your local authorized dealer or the manufacturer.

## SAFETY ALERT SYMBOL



This is the "Safety Alert Symbol" used by this industry. This symbol is used to warn of possible injury. Be sure to read all warnings carefully. They are included for your safety and for the safety of others working with you.

## SERVICE

When servicing your product, remember to use only manufacturer replacement parts. Substitute parts may not meet the standards required for safe, dependable operation.

To facilitate parts ordering, record the model and serial number of your unit in the space provided on the cover of this manual. This information may be obtained from the identification plate located on the product.

The parts department needs this information to insure that you receive the correct parts for your specific model.

**THIS PAGE  
IS INTENTIONALLY  
BLANK**

# SAFETY STATEMENTS



THIS SYMBOL BY ITSELF OR WITH A WARNING WORD THROUGHOUT THIS MANUAL IS USED TO CALL YOUR ATTENTION TO INSTRUCTIONS INVOLVING YOUR PERSONAL SAFETY OR THE SAFETY OF OTHERS. FAILURE TO FOLLOW THESE INSTRUCTIONS CAN RESULT IN INJURY OR DEATH.



## DANGER

THIS SIGNAL WORD IS USED WHERE SERIOUS INJURY OR DEATH WILL RESULT IF THE INSTRUCTIONS ARE NOT FOLLOWED PROPERLY.



## WARNING

THIS SIGNAL WORD IS USED WHERE SERIOUS INJURY OR DEATH COULD RESULT IF THE INSTRUCTIONS ARE NOT FOLLOWED PROPERLY.



## CAUTION

THIS SIGNAL WORD IS USED WHERE MINOR INJURY COULD RESULT IF THE INSTRUCTIONS ARE NOT FOLLOWED PROPERLY.

## NOTICE

NOTICE INDICATES A PROPERTY DAMAGE MESSAGE.

## GENERAL SAFETY PRECAUTIONS

### WARNING!

#### READ MANUAL PRIOR TO INSTALLATION



Improper installation, operation, or maintenance of this equipment could result in serious injury or death. Operators and maintenance personnel should read this manual, as well as all manuals related to this equipment and the prime mover thoroughly before beginning installation, operation, or maintenance. **FOLLOW ALL SAFETY INSTRUCTIONS IN THIS MANUAL AND THE PRIME MOVER'S MANUAL(S).**



#### READ AND UNDERSTAND ALL SAFETY STATEMENTS

Read all safety decals and safety statements in all manuals prior to operating or working on this equipment. Know and obey all OSHA regulations, local laws, and other professional guidelines for your operation. Know and follow good work practices when assembling, maintaining, repairing, mounting, removing, or operating this equipment.



#### KNOW YOUR EQUIPMENT

Know your equipment's capabilities, dimensions, and operations before operating. Visually inspect your equipment before you start, and never operate equipment that is not in proper working order with all safety devices intact. Check all hardware to ensure it is tight. Make certain that all locking pins, latches, and connection devices are properly installed and secured. Remove and replace any damaged, fatigued, or excessively worn parts. Make certain all safety decals are in place and are legible. Keep decals clean, and replace them if they become worn or hard to read.

## GENERAL SAFETY PRECAUTIONS

### WARNING!



#### PROTECT AGAINST FLYING DEBRIS

Always wear proper safety glasses, goggles, or a face shield when driving pins in or out, or when any operation causes dust, flying debris, or any other hazardous material.

### WARNING!



#### LOWER OR SUPPORT RAISED EQUIPMENT

Do not work under raised booms without supporting them. Do not use support material made of concrete blocks, logs, buckets, barrels, or any other material that could suddenly collapse or shift positions. Make sure support material is solid, not decayed, warped, twisted, or tapered. Lower booms to ground level or on blocks. Lower booms and attachments to the ground before leaving the cab or operator's station.

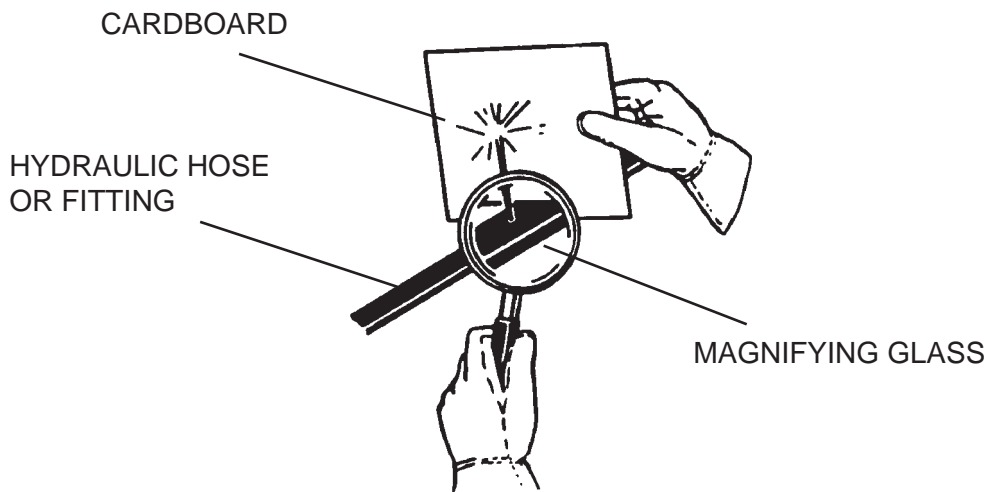
### WARNING!



#### USE CARE WITH HYDRAULIC FLUID PRESSURE

Hydraulic fluid under pressure can penetrate the skin and cause serious injury or death. Hydraulic leaks under pressure may not be visible. Before connecting or disconnecting hydraulic hoses, read your prime mover's operator's manual for detailed instructions on connecting and disconnecting hydraulic hoses or fittings.

- Keep unprotected body parts, such as face, eyes, and arms as far away as possible from a suspected leak. Flesh injected with hydraulic fluid may develop gangrene or other permanent disabilities.
- If injured by injected fluid, see a doctor at once. If your doctor is not familiar with this type of injury, ask him or her to research it immediately to determine proper treatment.
- Wear safety glasses, protective clothing, and use a piece of cardboard or wood when searching for hydraulic leaks. **DO NOT USE YOUR HANDS! SEE ILLUSTRATION.**





# GENERAL SAFETY PRECAUTIONS

## WARNING!



### DO NOT MODIFY MACHINE OR ATTACHMENTS

Modifications may weaken the integrity of the attachment and may impair the function, safety, life, and performance of the attachment. When making repairs, use only the manufacturer's genuine parts, following authorized instructions. Other parts may be substandard in fit and quality. Never modify any ROPS (Roll Over Protection Structure) or FOPS (Falling Object Protective Structure) equipment or device. Any modifications must be authorized in writing by the manufacturer.

## WARNING!



### SAFELY MAINTAIN AND REPAIR EQUIPMENT

- Do not wear loose clothing or any accessories that can catch in moving parts. If you have long hair, cover or secure it so that it does not become entangled in the equipment.
- Work on a level surface in a well-lit area.
- Use properly grounded electrical outlets and tools.
- Use the correct tools for the job at hand. Make sure they are in good condition for the task required.
- Wear the protective equipment specified by the tool manufacturer.



### SAFELY OPERATE EQUIPMENT

Do not operate equipment until you are completely trained by a qualified operator in how to use the controls, know its capabilities, dimensions, and all safety requirements. See your machine's manual for these instructions.

- Keep all step plates, grab bars, pedals, and controls free of dirt, grease, debris, and oil.
- Never allow anyone to be around the equipment when it is operating.
- Do not allow riders on the attachment or the prime mover.
- Do not operate the equipment from anywhere other than the correct operator's position.
- Never leave equipment unattended with the engine running, or with this attachment in a raised position.
- Do not alter or remove any safety feature from the prime mover or this attachment.
- Know your work site safety rules as well as traffic rules and flow. When in doubt on any safety issue, contact your supervisor or safety coordinator for an explanation.

# EQUIPMENT SAFETY PRECAUTIONS

## **WARNING! KNOW WHERE UTILITIES ARE**



Observe overhead electrical and other utility lines. Be sure equipment will clear them. When digging, call your local utilities for location of buried utility lines, gas, water, and sewer, as well as any other hazard you may encounter.



## **OPERATING THE PRIME MOVER**

Avoid steep hillside operation, which could cause the prime mover to overturn. Consult your prime mover operator's and safety manuals for maximum incline allowable.



## **EXPOSURE TO RESPIRABLE CRYSTALLINE SILICA DUST ALONG WITH OTHER HAZARDOUS DUSTS MAY CAUSE SERIOUS OR FATAL RESPIRATORY DISEASE.**

It is recommended to use dust suppression, dust collection and if necessary, personal protective equipment during the operation of any attachment that may cause high levels of dust.



## **WORKING WITH THE AUGER**

- All bystanders should be kept a minimum of 10 feet (3 meters) away from the working area of the earth auger.
- An operator must not use drugs or alcohol, which can change his or her alertness or coordination. An operator taking prescription or over-the-counter drugs should seek medical advice on whether or not he or she can safely operate equipment.
- Before exiting the prime mover, lower the earth auger to the ground, turn off the prime mover's engine, and lock the prime mover's brakes.
- Flow and pressure gauges, fittings, and hoses must have a continuous operating pressure rating of at least 25% higher than highest pressures of the system.



## **TRANSPORTING THE AUGER**

- Travel only with the earth auger in a safe transport position to prevent uncontrolled movement. Drive slowly over rough ground and on slopes.
- Tether the earth auger with a chain, if necessary, to prevent uncontrolled swinging of the auger when moving from hole to hole.
- Remove the earth auger from the prime mover before transporting to and from the job site.



## **MAINTAINING THE AUGER**

- Never adjust a relief valve for pressure higher than recommended by the prime mover manufacturer.
- Never perform any work on an earth auger unless you are authorized and qualified to do so. Always read the operator service manual(s) before any repair is made. After completing maintenance or repair, check for correct functioning of the earth auger. If not functioning properly, always tag "DO NOT OPERATE" until all problems are corrected.
- Worn, damaged, or illegible safety decals must be replaced. New safety decals can be ordered from McMillen®.

# INSTALLATION INSTRUCTIONS

## GENERAL INFORMATION

Find the mounting kit diagram and parts list for the kit you have received. Study the diagram and familiarize yourself with the names of the various parts. This knowledge will assist you in understanding these instructions.

Read these instructions carefully before attempting to mount the auger.

### READ AND UNDERSTAND ALL SAFETY INFORMATION PRIOR TO MOUNTING YOUR AUGER.

## QUICK ATTACH MOUNTING ASSEMBLIES

(Includes Skid Steer Loader Mounts.)

1. Remove the bucket or other attachment from the prime mover quick attach mechanism.
2. Attach the quick attach mounting bracket to the prime mover quick attach mechanism, as per manufacturer's recommendations.
3. Attach the swivel (#23835) to the quick attach mounting bracket with pin (#23839) provided. Secure the pin in place with safety pin (#10040).
4. If your mounting bracket is designed for the installation of a cradle, bolt the cradle to the bracket using the .50" UNC X 2.00" capscrews, lock washers and hex nuts provided.
5. Install the drive unit to the swivel using the pin provided with the drive unit assembly.
6. Install the auger to the drive unit with the bolt and nut provided with the drive unit assembly.
7. Refer to the **"HYDRAULIC SYSTEM HOOK-UP"** section in this manual for hydraulic connection instructions and recommendations.

## BACKHOE AND EXCAVATOR "PENDULUM" MOUNTING ASSEMBLIES

1. Remove the bucket from the dipper arm and curl cylinder pin connections. The dipper arm pin will be used to attach auger pendulum mounting to the dipper arm. Curl cylinder pin will not be required for auger installation.
2. Attach the pendulum mounting (all types) to the dipper using the dipper arm pin removed from the bucket in Step #1. Secure the bucket pin as per prime mover manufacturer's recommendation.

## INSTALLATION INSTRUCTIONS

4. Install the auger drive unit to pendulum mount with pivot pin provided with the drive unit assembly.
5. Install the auger to the drive unit with the bolt and nut provided with the drive unit assembly.
6. Refer to the ***“HYDRAULIC SYSTEM HOOK-UP”*** section in this manual for hydraulic connection instructions and recommendations.

### BACKHOE AND EXCAVATOR “PIN GRABBER” MOUNTING ASSEMBLIES

1. Remove the bucket from the dipper arm and curl cylinder pin connections.
2. Attach the pin grabber mounting (all types) to the dipper and curl cylinder using the pivot pins and cotter pins provided.
3. Attach the swivel (#23835) to the pin grabber mounting bracket with pivot pin provided. Secure the pin in place with safety pin (#10040).
4. If your mounting bracket is designed for the installation of a cradle, bolt the cradle to the bracket using the .50” UNC X 2.00” capscrews, lock washers and hex nuts provided.
5. Install the drive unit to the swivel using the pin provided with the drive unit assembly.
6. Install the auger to the drive unit with the bolt and nut provided with the drive unit assembly.
7. Refer to the ***“HYDRAULIC SYSTEM HOOK-UP”*** section in this manual for hydraulic connection instructions and recommendations.

### WELD-ON EXCAVATOR MOUNTING

McMillen offers a blank weld on plate with mounting ears and swivel for welding onto your own excavator mounting bracket.

After securely welding the plate onto your bracket:

## INSTALLATION INSTRUCTIONS

1. Attach the swivel (#23835) to the mounting plate with pivot pin #23839 provided. Secure the pin in place with safety pin #10040.
2. Install the drive unit to the swivel using the pin provided with the drive unit assembly.
3. Install the auger to the drive unit with the bolt and nut provided with the drive unit assembly.
4. Refer to the **“HYDRAULIC SYSTEM HOOK-UP”** section in this manual for hydraulic connection instructions and recommendations.

**WARNING! REMOVE PAINT BEFORE WELDING OR HEATING.**



Hazardous fumes/dust can be generated when paint is heated by welding, soldering or using a torch. Do all work outside or in a well ventilated area and dispose of paint and solvent properly. Remove paint before welding or heating.

When sanding or grinding paint, avoid breathing the dust. Wear an approved respirator. If you use solvent or paint stripper, remove stripper with soap and water before welding. Remove solvent or paint stripper containers and other flammable material from area. Allow fumes to disperse at least 15 minutes before welding or heating.

# HYDRAULIC SYSTEM HOOK-UP INSTRUCTIONS

## GENERAL INFORMATION

Once the installation instructions are complete, you are now ready to make the hydraulic connections necessary to operate your earth drill.

### READ AND UNDERSTAND SAFETY INFORMATION PRIOR TO MAKING HYDRAULIC CONNECTIONS.

Your equipment dealer is in the best position to advise you as to where the best place on your machine is to make the hydraulic connections to power your earth drill drive unit. The list below shows the most common places to “tap” into the hydraulic system on various types of machines.

- **SKID STEER LOADERS** - Auxiliary hydraulic outlets.
- **BACKHOES & EXCAVATORS** - Auxiliary hydraulic outlets or bucket curl cylinder circuit.
- **WHEEL LOADERS & TRACTOR LOADERS** - Auxiliary hydraulic outlets or bucket tilt (dump) cylinder circuit.

Determine the length of hydraulic hoses required to plumb drive unit into the place on your machine where you will be “tapping” into the hydraulics. Be sure the two hydraulic hoses are long enough to perform at the full range of the earth drill’s operating capacity. A case drain line will also be required to operate your earth drill.

- **Models X4075, X5075, X6075, X8075 & 8K2** - These models require two 3/4” (19mm) ID hydraulic hoses, with #12 JIC Female fittings on one end of each hose, to connect hoses to drive unit fittings. **A case drain line is also required.** The skid steer hydraulic kits for the high torque auger drives include a case drain line. A universal excavator Drain Line Kit #21218 is available through your local dealer.

**NOTE:** Fittings on the other end of each hydraulic hose should match the threads on the hydraulic quick couplers to be used.

**WARNING! HOSES AND FITTINGS MUST HAVE A CONTINUOUS OPERATING PRESSURE RATING OF AT LEAST 25% HIGHER THAN THE HIGHEST PRESSURES OF THE SYSTEM YOU ARE “TAPPING” INTO.**



Once all of the hydraulic connections have been made and checked for leaks, you are now ready to operate your earth drill. **READ AND UNDERSTAND OPERATING INSTRUCTIONS AND SAFETY INFORMATION PRIOR TO OPERATING YOUR EARTH DRILL.**

# OPERATING INSTRUCTIONS

All three auger drives dig the same except the 8K2 has an additional two speed “shift on demand” feature.

## 8K2 TWO SPEED AUGER DRIVE:

An increased demand on the auger drive will cause the pressure of the operating vehicle to increase. When the pressure of the prime mover exceeds 2500 PSI (preset) the 8K2 motor will automatically shift to maximum displacement, which reduces the speed of the auger and increases the torque. When the pressure decreases and goes below 1000 PSI the motor will shift back to minimum displacement which will increase the speed of the auger and decrease the torque.

## OPERATION

1. After all installation instructions have been completed, safety information read and understood, and the rest of this operator’s manual has been reviewed, your McMillen Hydraulic Earth Drill is now ready for use.
2. With the auger raised off the ground and the vehicle engine set at a low RPM, activate the earth drill control valve to determine which position the control valve lever must be in to turn auger in a forward (clockwise) rotation. This is the “digging” position.
3. Before beginning to dig, experiment with auger speed to determine a suitable auger RPM. Generally in light and sandy soil a high RPM is desirable. In hard, rocky, or frozen soils a slower RPM is desirable. To increase auger RPM, increase vehicle engine RPM. To decrease auger RPM, decrease vehicle engine RPM.
4. Return earth drill control valve to neutral position to stop the auger. Lower the auger to the ground so that only the center point penetrates the ground about 2” (51mm).
5. Activate the earth drill control valve so auger is turning in a forward (clockwise) rotation. Use only enough down pressure to assure positive penetration of auger into the ground. Ease up on down pressure if auger rotation slows down drastically or stalls.

**NOTE: Excessive down pressure will cause the auger to stall frequently.**

6. When auger has penetrated the ground about 24” (610mm), raise the auger from the hole to clean the dirt out. Repeat this procedure until the desired hole depth is obtained.
7. Once the required hole depth is reached, allow the auger to turn a few seconds at this depth to clean the hole.
8. Return the earth drill control valve to the neutral position to stop the rotation of the auger. Raise the auger out of the hole, move away from the hole, then activate the earth drill control valve to spin the loose soil off of the augers.

M-1735 11-20-07

# OPERATING INSTRUCTIONS

**NOTE: Do not reverse the auger rotation to remove from the hole as loose soil on the auger flights will fall back into the hole.**

9. If necessary, repeat steps 7 & 8 to obtain a cleaner hole.
10. In some soil conditions or when excessive down pressure is applied, auger may “screw” itself into the ground and become stuck causing earth drill to stall. If this happens, reverse the auger rotation (counter-clockwise) by moving the control valve lever to the reverse position and slowly raise the auger. Once unstuck, return the control valve lever to the forward rotation position and continue digging.
11. If the auger becomes lodged under rocks, roots, or other large obstructions, do not attempt to raise the auger out of the ground. See step 10 for proper procedure to relieve the auger.
12. Avoid excessive side loading to earth drill which can cause drive unit or auger damage.
13. Keep auger teeth and points in good condition. Check frequently and always keep spares on hand so they can be replaced as wear is detected to avoid damage to tooth holders and auger flighting.

**WARNING: To prevent possible injury or death, keep all bystanders 10 feet or more away from rotating auger. Take extra precautions when digging in locations where any type of landscape fabric may be present.**





# MAINTENANCE

## GENERAL INFORMATION


Your McMillen earth drill was designed to be virtually maintenance free. Very little effort is needed to keep it in top working condition. It is however, important to follow these procedures to get full performance and longevity out of the unit.

## LUBRICATION

Change planetary gear reduction oil with API-GL-5, 80W or 90W lubricant after the first 50 hours of operation and then every 1000 hours or 12 months, whichever comes first.

## DAILY INSPECTION

- Check hydraulic oil for cleanliness and contamination. Change if necessary.
- Check hydraulic hoses for damage, leaking and/or signs of excessive heat. Replace if necessary.
- Check auger point for excessive wear or loose fit. Replace if necessary.
- Check auger teeth for excessive wear or loose fit. Replace if necessary.
- Check output shaft for excessive wear, damage or leakage. Replace if necessary.
- Check all bolts and pivot pins for damage, breaks or wear. Replace if necessary.

**CAUTION!**  **EXCESSIVE VENTING OF LUBRICANT FROM PLANETARY MAY INDICATE THAT THE MOTOR SHAFT SEAL IS LEAKING. UNIT SHOULD BE REPAIRED IMMEDIATELY.**

**PLANETARY SHAFT SEAL REPLACEMENT IS THE ONLY PLANETARY REPAIR THAT CAN BE MADE WHILE THE UNIT IS UNDER WARRANTY. (SEE PARTS PAGES FOR PLANETARY SEAL NUMBER.)**

**MOTOR SHAFT SEAL REPLACEMENT IS THE ONLY HYDRAULIC MOTOR REPAIR THAT CAN BE MADE WHILE THE UNIT IS UNDER WARRANTY. (SEE PARTS PAGES FOR MOTOR SEAL NUMBER.)**

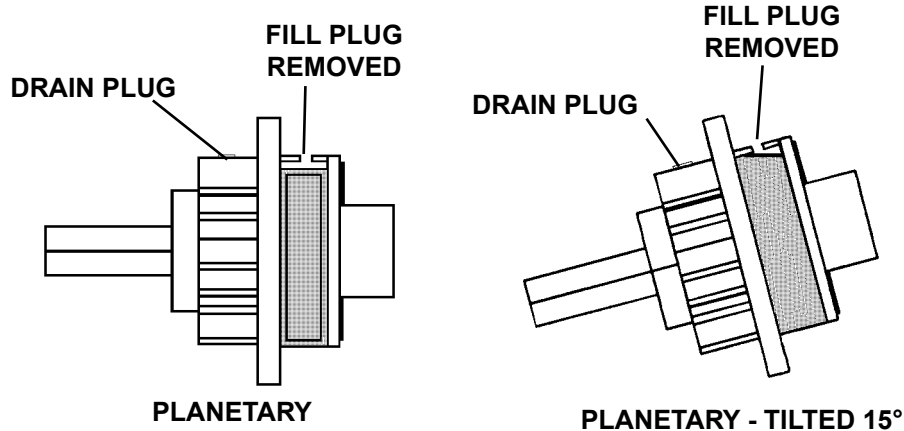
# MAINTENANCE

## PLANETARY GEARBOX

Change gear box oil using API-GL-5, 80W or 90W lubricant after the first 50 hours of operation and then every 1200 hours or 12 months, whichever comes first. Check oil level frequently to maintain proper lubrication.

## CHECKING PLANETARY LUBRICANT

1. Place the planetary in a horizontal position.
2. Remove fill plug.
3. Check the lubricant level. Gear lub level should be visible through the fill plug hole.
4. To Fill: Tilt the planetary slightly (maximum 15°) and add lubricant up to fill plug location. With the planetary in this position, lubricant should cover the internal gear and be visible through the fill hole when in a horizontal position.



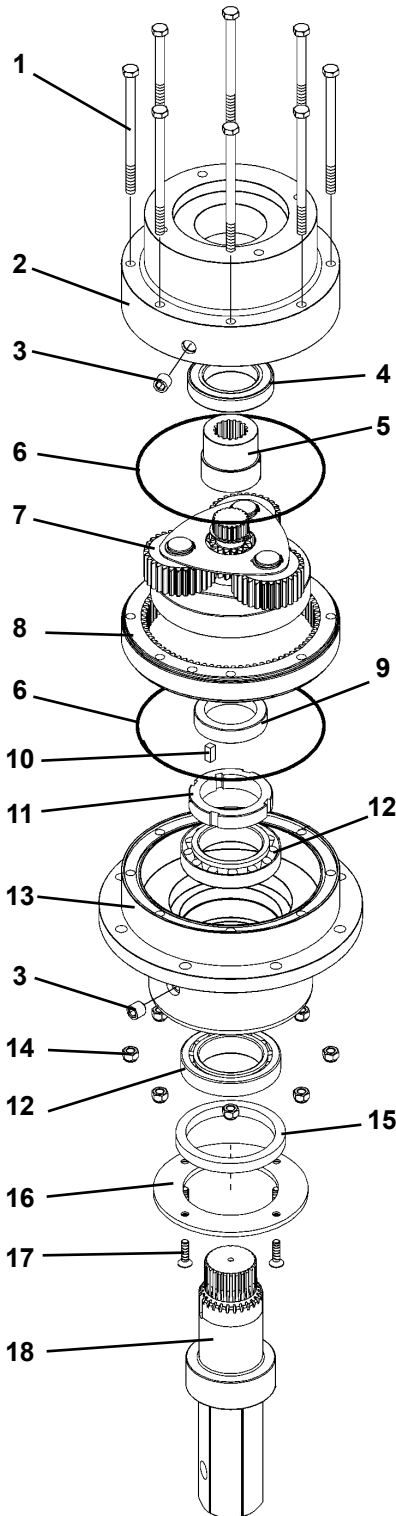
## STORAGE PROCEDURE

1. Check to ensure that hydraulic motor and hoses are full of clean oil.
2. Be sure planetary is full of clean lubricant.
3. Clean unit thoroughly, removing all mud, dirt, and grease.
4. Tighten all loose hardware.
5. Touch up unpainted and exposed areas with paint to prevent rust.
6. Coat the drive unit output shaft, inside of auger collar, variable auger extension shaft and inside of auger extension collar to prevent rust and reduce wear.
7. Store the unit in a dry and protected place. Leaving the auger and drive unit outside, exposed to the elements, will materially shorten its life.
8. Inspect the unit for visible signs of wear, breakage or damage. Order any parts required and make necessary repairs to avoid delays when starting next season.
9. Replace decals if damaged or in unreadable condition.

# MAINTENANCE

PLANETARY GEAR REDUCTION FOR X6075, X8075 & 8K2 AUGER DRIVES  
ASSEMBLIES #104185 & #105219

**WARRANTY NOTICE: ANY ATTEMPT TO  
DISASSEMBLE OR MAKE FIELD REPAIRS TO THE  
PLANETARY WILL VOID WARRANTY. CONTACT  
YOUR DEALER/DISTRIBUTOR.**



<u>ITEM</u>	<u>REQ'D</u>	<u>PART NO.</u>	<u>DESCRIPTION</u>
1	8	111689	M10 X 160mm Hex Capscrew - G8.8
2	1	111696	Input Housing
3	2	15074	Plug
4	1	111685	Bearing
5	1	111697	Spline Adapter 14-20 Tooth - 2" Hex
	1	111698	Spline Adapter 17-20 Tooth - 2.50" Hex
6	2	45950	O-Ring
7	1	111699	Gearset
8	1	111693	Ring Gear
9	1	111700	Spacer
10	1	111692	Key
11	1	111691	Lock Nut
12	2	111686	Tapered Roller Bearing
13	1	111690	Output Housing
14	8	31685	M10 Nylock Nut
15	1	45988	Seal 4.75 x 3.25 x .50 - 2" Hex
	1	45985	Seal 4.75 x 3.875 x .50 - 2.50" Hex
16	1	46027	Seal Protector
17	4	111688	M8 X 30mm Sockethead Capscrew
18	1	111694	2" Hex Shaft - 27 Spline (X6075 Only)
	1	111695	2.50" Hex Shaft - 27 Spline

## AUGER OPTIONS

### 2" HEX AUGERS

<b>AUGER SIZE</b>	<b>HDF</b> <i>(light to moderate ground conditions)</i>	<b>HDC</b> <i>(difficult ground conditions)</i>	<b>HTF</b> <i>(tree and shrub planting)</i>	<b>HDR</b> <i>(soid, fracturable rock &amp; frozen ground)</i>
4" x 3'	20000	--	--	--
6" x 3'	20018	20033	--	--
8" x 3'	20053	20068	--	--
9" x 3'	20092	20109	--	--
10" x 3'	20142	20157	--	--
12" x 3'	20180	20198	--	--
15" x 3'	20234	20251	--	--
16" x 3'	20266	20280	--	--
18" x 3'	20302	20318	--	--
20" x 3'	20347	20360	--	--
24" x 3'	20383	20397	--	--
30" x 3'	20426	20438	--	--
36" x 3'	20471	20483	--	--
<b> </b>				
4" x 4'	20003	--	--	--
6" x 4'	20021	20036	--	20046
8" x 4'	20056	20071	--	--
9" x 4'	20096	20113	--	20124
10" x 4'	20145	20160	--	20169
12" x 4'	20183	20201	--	20214
15" x 4'	20237	20254	--	--
16" x 4'	20269	20283	--	20293
18" x 4'	20306	20321	20334	20332
20" x 4'	20350	20363	--	20372
24" x 4'	20386	20401	20414	20412
30" x 4'	20429	20441	20454	20451
36" x 4'	20474	20486	20499	20497
42" x 4'	--	20512	20515	--
48" x 4'	--	20523	20525	--
<b> </b>				
4" x 5'	20007	--	--	--
6" x 5'	20027	20040	--	--
8" x 5'	20061	20075	--	--
9" x 5'	20103	20117	--	--
10" x 5'	20151	20163	--	--
12" x 5'	20190	20205	--	--
15" x 5'	20243	20257	--	--
16" x 5'	20274	20286	--	--
18" x 5'	20311	20325	--	--
20" x 5'	20354	20366	--	--
24" x 5'	20390	20404	--	--
30" x 5'	20432	20444	--	--
36" x 5'	20477	20489	--	--
<b> </b>				
4" x 6'	20010	--	--	--
6" x 6'	20030	20043	--	--
8" x 6'	20064	20078	--	--
9" x 6'	20106	20120	--	--
10" x 6'	20154	20166	--	--
12" x 6'	20193	20208	--	--
15" x 6'	20246	20260	--	--
16" x 6'	20277	20289	--	--
18" x 6'	20314	20328	--	--
20" x 6'	20357	20369	--	--
24" x 6'	20393	20407	--	--
30" x 6'	20435	20447	--	--
36" x 6'	20480	20492	--	--

## AUGER OPTIONS

### 2.50" HEX AUGERS

AUGER SIZE		MDC Standard Teeth	MDC Carbide Teeth
8" x 103"	40" of Flighting	20084	20085
9" x 103"	40" of Flighting	20132	20133
10" x 103"	40" of Flighting	20173	20174
12" x 103"	40" of Flighting	20221	20222
14" x 103"	40" of Flighting	20230	20231
16" x 103"	40" of Flighting	20297	20298
18" x 103"	40" of Flighting	20340	20341
20" x 103"	40" of Flighting	20376	20377
24" x 103"	40" of Flighting	20420	20421
30" x 103"	40" of Flighting	20461	20462
36" x 103"	40" of Flighting	23311	20507
42" x 103"	40" of Flighting	20519	20520
48" x 103"	40" of Flighting	20530	20531
8" x 103"	60" of Flighting	20086	20087
9" x 103"	60" of Flighting	20134	20135
10" x 103"	60" of Flighting	20175	20176
12" x 103"	60" of Flighting	20223	20224
14" x 103"	60" of Flighting	20232	20233
16" x 103"	60" of Flighting	20299	20300
18" x 103"	60" of Flighting	20342	20344
20" x 103"	60" of Flighting	20378	20379
24" x 103"	60" of Flighting	20422	20423
30" x 103"	60" of Flighting	20463	20464
36" x 103"	60" of Flighting	20508	20509
42" x 103"	60" of Flighting	20521	20522
48" x 103"	60" of Flighting	20532	20533

## AUGER OPTIONS

### EXTENSIONS

DESCRIPTION	FIXED LENGTH	VARIABLE LENGTH
12" x 2" Hex	22839	23105
18" x 2" Hex	22845	23111
24" x 2" Hex	22851	23117
48" x 2" Hex	22858	23126
72" x 2" Hex	22865	23135
24" x 2" Hex HD Tube	22852	--
48" x 2" Hex HD Tube	22859	--
72" x 2" Hex HD Tube	22866	--
72" x 2.50" Hex	22868	23137

### ADAPTERS

PART #	DRIVE UNIT	AUGER COLLAR
21969	2" HEX	2" ROUND
21987	2" HEX	2.56" ROUND
21989	2" HEX	2.50" HEX
24546	2" HEX	2.62" HEX

### WEAR PARTS

PART #	DESCRIPTION	HDF	HDC	HTF	HDR	MDC
22190	Fishtail Point 3.50"	X	X	X		
22003	Fishtail Point 4.50"	X				
22169	Gage Tooth – Outside	X	X	X		
22168	Wisdom Tooth – Inside	X	X	X		
22306	.62" Bolt	X		X		
1839	.62" Nut	X		X		
22154	Rubber Lock		X			
22201	Rock Tooth				X	
22176	Dirt Pilot – Standard					X
22160	Gage Tooth – Outside					X
22158	Dirt Tooth – Inside					X
22177	Carbide Pilot					X
22163	Carbide Gage Tooth - Outside					X
22162	Carbide Tooth – Inside					X

### HDC STYLE AUGER WEAR PARTS LIST

AUGER DIA.	8"	9"	10"	12"	15"	16"	18"	20"	24"	30"	36"	42"	48"	
<b>Part #</b>	152mm	203mm	229mm	254mm	305mm	381mm	406mm	457mm	508mm	610mm	762mm	914mm	1067mm	1219mm
<b>Qty</b>	2	2	2	2	2	2	2	2	2	2	2	2	2	2
<b>Description(Standard Components)</b>	Hardened Drive-In Gage Tooth	Hardened Drive-In Gage Tooth	Hardened Drive-In Gage Tooth	Hardened Drive-In Gage Tooth	Hardened Drive-In Gage Tooth	Hardened Drive-In Gage Tooth	Hardened Drive-In Gage Tooth	Hardened Drive-In Gage Tooth	Hardened Drive-In Gage Tooth	Hardened Drive-In Gage Tooth	Hardened Drive-In Gage Tooth	Hardened Drive-In Gage Tooth	Hardened Drive-In Gage Tooth	Hardened Drive-In Gage Tooth
	2	2	2	2	2	2	2	2	2	2	2	2	2	2
	-	2	2	2	4	4	4	4	4	6	8	10	14	18
	1	1	1	1	1	1	1	1	1	1	1	1	1	1
	2	4	4	4	6	6	6	6	8	10	12	16	20	

### HDF STYLE AUGER WEAR PARTS LIST

AUGER DIA.	6"	8"	9"	10"	12"	15"	16"	18"	20"	24"	30"	36"	
<b>Part #</b>	102mm	152mm	203mm	229mm	254mm	305mm	381mm	406mm	457mm	508mm	610mm	762mm	914mm
<b>Qty</b>	-	2	2	2	2	2	2	2	2	2	2	2	2
<b>Description(Standard Components)</b>	Hardened Bolt-on Gage Tooth	Hardened Bolt-on Gage Tooth	Hardened Bolt-on Gage Tooth	Hardened Bolt-on Gage Tooth	Hardened Bolt-on Gage Tooth	Hardened Bolt-on Gage Tooth	Hardened Bolt-on Gage Tooth	Hardened Bolt-on Gage Tooth	Hardened Bolt-on Gage Tooth	Hardened Bolt-on Gage Tooth	Hardened Bolt-on Gage Tooth	Hardened Bolt-on Gage Tooth	Hardened Bolt-on Gage Tooth
	-	-	-	1	1	1	1	1	1	1	1	1	1
	-	1	1	1	1	1	1	1	1	1	1	1	1
	1	-	-	-	-	-	-	-	-	-	-	-	-
	-	2	2	3	3	4	5	5	6	6	8	9	11
	-	2	2	3	3	4	5	5	6	6	8	9	11

### HTF STYLE AUGER WEAR PARTS LIST

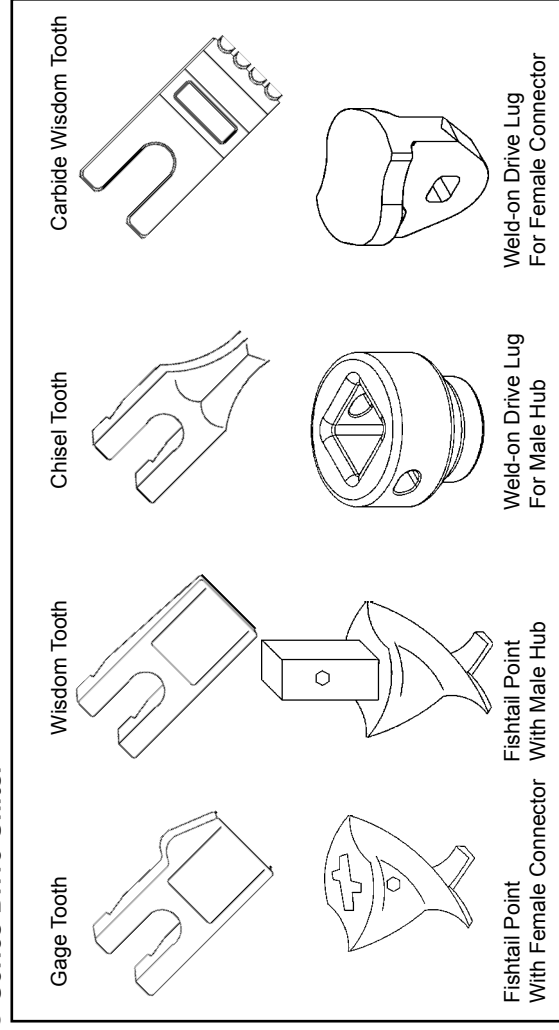
AUGER DIA.	18"	24"	30"	36"	42"	48"
<b>Part #</b>	457mm	610mm	762mm	914mm	1067mm	1219mm
<b>Qty</b>	4	4	4	4	4	4
<b>Description(Standard Components)</b>	Hardened Bolt-on Gage Tooth	Hardened Bolt-on Gage Tooth	Hardened Bolt-on Gage Tooth	Hardened Bolt-on Gage Tooth	Hardened Bolt-on Gage Tooth	Hardened Bolt-on Gage Tooth
	3	6	7	9	11	13
	1	1	1	1	1	1
	7	10	11	13	15	17
	7	10	11	13	15	17

### OPTIONAL HARDFACED & CARBIDE WEAR COMPONENTS

Part #	Description
22170	Hardfaced Wisdom Tooth
22186	Carbide Wisdom Tooth
22181	Hardened Chisel Tooth
22183	Hardfaced Chisel Tooth
22182	Carbide Chisel Tooth
22190	3.50" Hardened Fishtail Point (Male Hub)
22192	3.50" Hardfaced Fishtail Point (Male Hub)
22191	3.50" Carbide Fishtail Point (Male Hub)
22193	3.50" Hardfaced /Carbide Fishtail Point (Male Hub)
22003	4.50" Hardened Fishtail Point (Female)
22004	4.50" Hardfaced Fishtail Point (Female)
22005	4.50" Hardfaced /Carbide Fishtail Point (Female)
22171	3.50" Hardened Fishtail Point (Female)
22172	3.50" Carbide Fishtail Point (Female)
22173	3.50" Hardfaced Fishtail Point (Female)
22174	3.50" Hardfaced /Carbide Fishtail Point (Female)

**NOTE:** Contact your equipment dealer for wear components not listed above. If you have any special auger needs or applications, feel free to contact McMillen.

**IMPORTANT:** McMillen does not recommend augers exceeding 36" diameter for C-Series Drive Units.



# TROUBLESHOOTING

PROBLEM	POSSIBLE CAUSE	SOLUTION
Slow Speed	Low Flow	Check with flow meter. If low investigate cause.
	Line restrictions	Clear lines
	Fittings or connections too small	Replace with proper sizes.
	Oil filter dirty	Replace
	Hydraulic pump worn or damaged	See Dealer for repair
Insufficient Digging Power	Worn teeth or point	Replace
	Low system Pressure (PSI)	Check with pressure gauge. If low, investigate cause.
	Relief Valve damaged or setting wrong	Adjust or replace as required.
	Excessive load	Reduce load to within machine specifications.
Reverse Direction	Hoses reversed	Re-install hoses correctly.
Excessive Oil Heating	Line restrictions	Clear lines
	Fluid dirty	Replace hydraulic fluid and filter.
	Insufficient quantity of hydraulic fluid	Fill reservoir to proper level. increase reservoir storage capacity.
Oil Leaks	Hoses loose or damaged	Tighten or replace
	Fittings loose or damaged	Tighten or replace
	Hydraulic motor seals worn or damaged	See Dealer for repair.



# SPECIFICATIONS

## GENERAL INFORMATION

The X6075, X8075 and 8K2 augers require a heavy duty mounting kit with a maximum auger diameter of 48". A hydraulic motor drives the auger through a sealed planetary gear reduction. The heavy duty gear design gives these units a long life with minimal maintenance and service costs. McMillen planetary drives are completely sealed with all moving components running in oil for total lubrication on a constant basis. All models feature reverse rotation for quick backout when obstructions are encountered. The system's hydraulic relief valve protects the units from damage when the auger hits large immovable objects.

### DRAIN LINE REQUIRED

#### MODEL X6075

Maximum Auger Diameter: 48" (1219mm)  
 Minimum Hydraulic Flow: 30 gpm (114 lpm)  
 Maximum Hydraulic Flow: 53 gpm (201 lpm)  
 Maximum Continuous Operating PSI: 3500 psi (246 kg/cm<sup>2</sup>)  
 Output shaft Options: 2" (51mm)Hexagon  
 2-1/2" (63.5mm) Hexagon

OUTPUT SPEED		OUTPUT TORQUE	
FLOW	SPEED	PRESSURE	TORQUE
GPM (LPM) =	RPM	PSI (kg/cm <sup>2</sup> ) =	Lb•Ft (N•m)
30 (114) =	51	2000 (141) =	3624 (4913)
32 (121) =	54	2500 (176) =	4531 (6143)
34 (129) =	57	3000 (211) =	5437 (7372)
36 (136) =	61	3500 (241) =	6343 (8600)
38 (144) =	64		
40 (151) =	68		
42 (159) =	72		
44 (167) =	74		
46 (174) =	78		
48 (182) =	81		
50 (189) =	85		
52 (197) =	88		
53 (201) =	90		

### DRAIN LINE REQUIRED

#### MODEL X8075

Maximum Auger Diameter: 48" (1219mm)  
 Minimum Hydraulic Flow: 36 gpm (136 lpm)  
 Maximum Hydraulic Flow: 54 gpm (204 lpm)  
 Maximum Continuous Operating PSI: 3500 psi (246 kg/cm<sup>2</sup>)  
 Output shaft Options: 2-1/2" (63.5mm)Hexagon

OUTPUT SPEED		OUTPUT TORQUE	
FLOW	SPEED	PRESSURE	TORQUE
GPM (LPM) =	RPM	PSI (kg/cm <sup>2</sup> ) =	Lb•Ft (N•m)
36 (136) =	42	2000 (141) =	5194 (7042)
38 (144) =	45	2500 (176) =	6493 (8803)
40 (151) =	47	3000 (211) =	7791 (10563)
42 (159) =	50	3500 (241) =	9090 (12324)
44 (167) =	52		
46 (174) =	54		
48 (182) =	57		
50 (189) =	59		
52 (197) =	61		
54 (204) =	64		

### DRAIN LINE REQUIRED

#### MODEL 8K2 (2-SPEED)

Maximum Auger Diameter: 48" (1219mm)  
 Minimum Hydraulic Flow: 30 gpm (136 lpm)  
 Maximum Hydraulic Flow: 45 gpm (170 lpm)  
 Maximum Continuous Operating PSI: 4000 psi (281 kg/cm<sup>2</sup>)  
 Output shaft Options: 2-1/2" (63.5mm)Hexagon

OUTPUT SPEED				OUTPUT TORQUE				
FLOW	SPEED		PRESSURE	TORQUE		PRESSURE	TORQUE	
	LOW	HIGH		HIGH	LOW			
GPM (LPM) =	RPM	RPM	PSI (kg/cm <sup>2</sup> ) =	Lb•Ft (N•m)	Lb•Ft (N•m)	PSI (kg/cm <sup>2</sup> ) =	Lb•Ft (N•m)	Lb•Ft (N•m)
30 (136) =	33	49	3000 (211) =	8471 (11485)	5647 (7656)	3000 (211) =	8471 (11485)	5647 (7656)
35 (132) =	38	57	3500 (241) =	9882 (13398)	6588 (8932)	3500 (241) =	9882 (13398)	6588 (8932)
45 (170) =	49	73	4000 (276) =	11294 (15313)	7529 (10208)	4000 (276) =	11294 (15313)	7529 (10208)

Output speed and torque specifications are based on theoretical values and are provided for comparative purposes only.

McMillen is continually striving to improve its products. Specifications and design are subject to change without notice and without liability therefor.

**THIS PAGE  
IS INTENTIONALLY  
BLANK**

# Limited Warranty

Except for the Excluded Products as described below, all new products are warranted to be free from defects in material and/or workmanship during the Warranty Period, in accordance with and subject to the terms and conditions of this Limited Warranty.

1. Excluded Products. The following products are excluded from this Limited Warranty:

(a) Any cable, part that engages with the ground (i.e. sprockets), digging chain, bearing, teeth, tamping and/or demolition head, blade cutting edge, pilot bit, auger teeth and broom brush that either constitutes or is part of a product.

(b) Any product, merchandise or component that, in the opinion of Paladin Light Construction<sup>1</sup>, has been (i) misused; (ii) modified in any unauthorized manner; (iii) altered; (iv) damaged; (v) involved in an accident; or (vi) repaired using parts not obtained through Paladin Light Construction.

2. Warranty Period. The Limited Warranty is provided only to those defects that occur during the Warranty Period, which is the period that begins on the first to occur of: (i) the date of initial purchase by an end-user, (ii) the date the product is first leased or rented, or (iii) the date that is six (6) months after the date of shipment by Paladin Light Construction as evidenced by the invoiced shipment date (the "Commencement Date") and ends on the date that is twenty-four (24) months after the Commencement Date.

3. Terms and Conditions of Limited Warranty. The following terms and conditions apply to the Limited Warranty hereby provided:

(a) Option to Repair or Replace. Paladin Light Construction shall have the option to repair or replace the product.

(b) Timely Repair and Notice. In order to obtain the Limited Warranty, (i) the product must be repaired within thirty (30) days from the date of failure, and (ii) a claim under the warranty must be submitted to Paladin Light Construction in writing within thirty (30) days from the date of repair.

(c) Return of Defective Part or Product. If requested by Paladin Light Construction, the alleged defective part or product shall be shipped to Paladin Light Construction at its manufacturing facility or other location specified by Paladin Light Construction, with freight PRE-PAID by the claimant, to allow Paladin Light Construction to inspect the part or product.

Claims that fail to comply with any of the above terms and conditions shall be denied.

## **LIMITATIONS AND EXCLUSIONS.**

**THIS LIMITED WARRANTY IS IN LIEU OF ALL OTHER WARRANTIES, EXPRESS OR IMPLIED, INCLUDING WITHOUT LIMITATION THE WARRANTIES OF MERCHANTABILITY, FITNESS FOR A PARTICULAR PURPOSE AND ANY WARRANTY BASED ON A COURSE OF DEALING OR USAGE OF TRADE.**

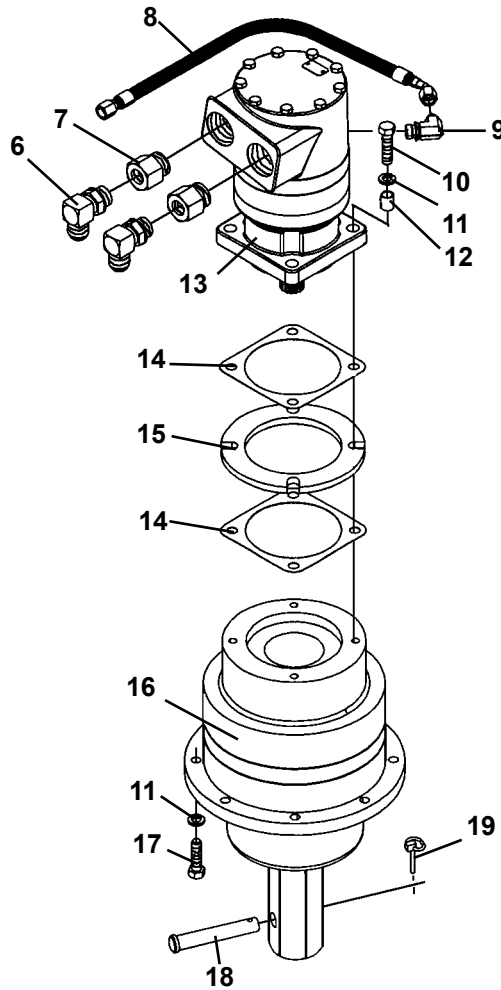
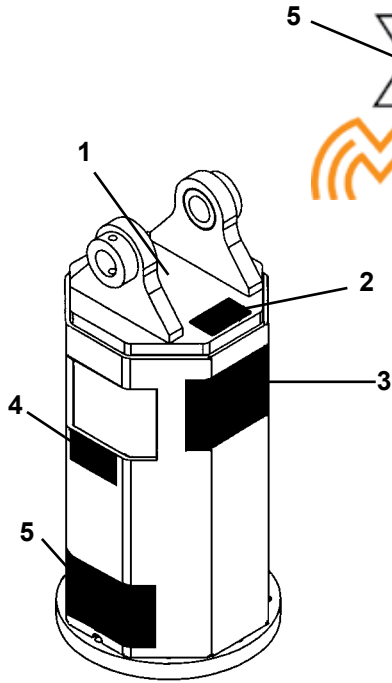
**IN NO EVENT SHALL PALADIN LIGHT CONSTRUCTION BE LIABLE FOR CONSEQUENTIAL OR SPECIAL DAMAGES.**

**IN NO EVENT SHALL PALADIN LIGHT CONSTRUCTION BE LIABLE FOR ANY LOSS OR CLAIM IN AN AMOUNT IN EXCESS OF THE PURCHASE PRICE, OR, AT THE OPTION OF PALADIN LIGHT CONSTRUCTION, THE REPAIR OR REPLACEMENT, OF THE PARTICULAR PRODUCT ON WHICH ANY CLAIM OF LOSS OR DAMAGE IS BASED. THIS LIMITATION OF LIABILITY APPLIES IRRESPECTIVE OF WHETHER THE CLAIM IS BASED ON BREACH OF CONTRACT, BREACH OF WARRANTY, NEGLIGENCE OR OTHER CAUSE AND WHETHER THE ALLEGED DEFECT IS DISCOVERABLE OR LATENT.**

<sup>1</sup>*Attachment Technologies Inc., a subsidiary of Paladin Brands Holding, Inc. (PBHI) is referred to herein as Paladin Light Construction.*

# X6075 AUGER DRIVE ASSEMBLY

ASSEMBLY #24902

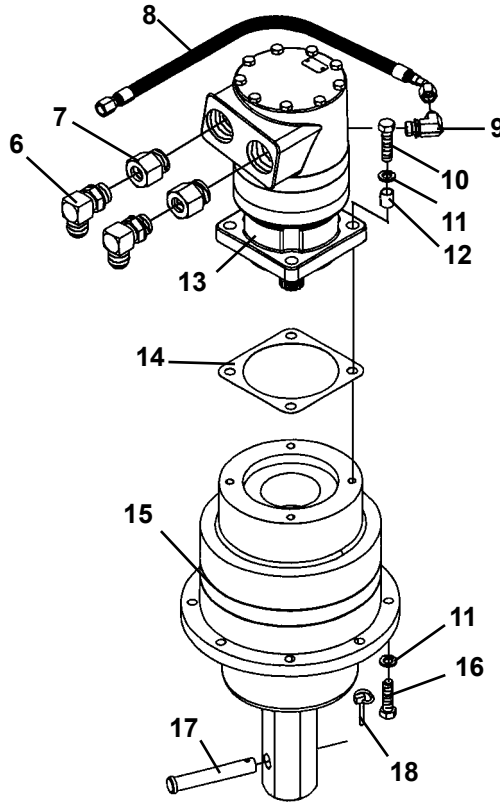
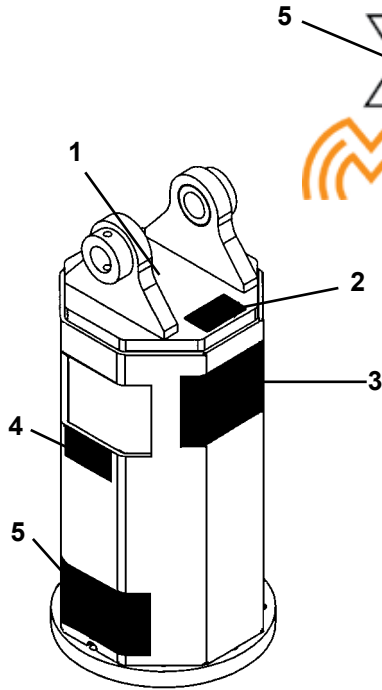


**X6075 AUGER DRIVE ASSEMBLY**  
 2" HEX ASSEMBLY #24902 & 2.50" HEX ASSEMBLY #24903

<u>ITEM</u>	<u>REQ'D</u>	<u>PART NO.</u>	<u>DESCRIPTION</u>
1	1	109881	Planetary Housing
2	1	----	Serial Number Identification Tag Location
3	2	22680	Danger Decal
4	1	41079	Notice Decal
5	1	41067	Model / Logo Decal
6	2	22600	90° Elbow 12MBo-12MJ
7	2	30292	Straight Connector 16MBo-12FBo
8	1	35754	Hose .25" X 24" 6FJX - 6MJ
9	1	30142	90° Elbow 8MBo-6MJ
10	4	1092	.50" UNC X 2.00" Hex Capscrew
11	4	1505	.50" Lock Washer
12	4	105803	Spacer
13	1	102182	Hydraulic Motor 22.4 CID - 14 Tooth - 2" Hex Assembly
	-	45897	Replacement Shaft Seal
	1	107653	Hydraulic Motor 22.4 CID - 17 Tooth - 2.50" Hex Assembly
	-	45897	Replacement Shaft Seal
14	1	101864	Gasket (Use Two with 2.50" Hex Assembly)
15	1	102882	Spacer (Used with 2.50" Hex Assembly)
16	1	104185	Planetary Gearbox - 2" Hex Assembly
	-	45988	Replacement Shaft Seal
	1	105219	Planetary Gearbox - 2.50" Hex Assembly
	-	45985	Replacement Shaft Seal
17	8	1505	.50" Lock Washer
18	8	1091	.50" UNC X 1.75" Hex Capscrew
19	1	22263	Pivot Pin
20	1	21169	Klik Pin

# X8075 AUGER DRIVE ASSEMBLY

ASSEMBLY #24904



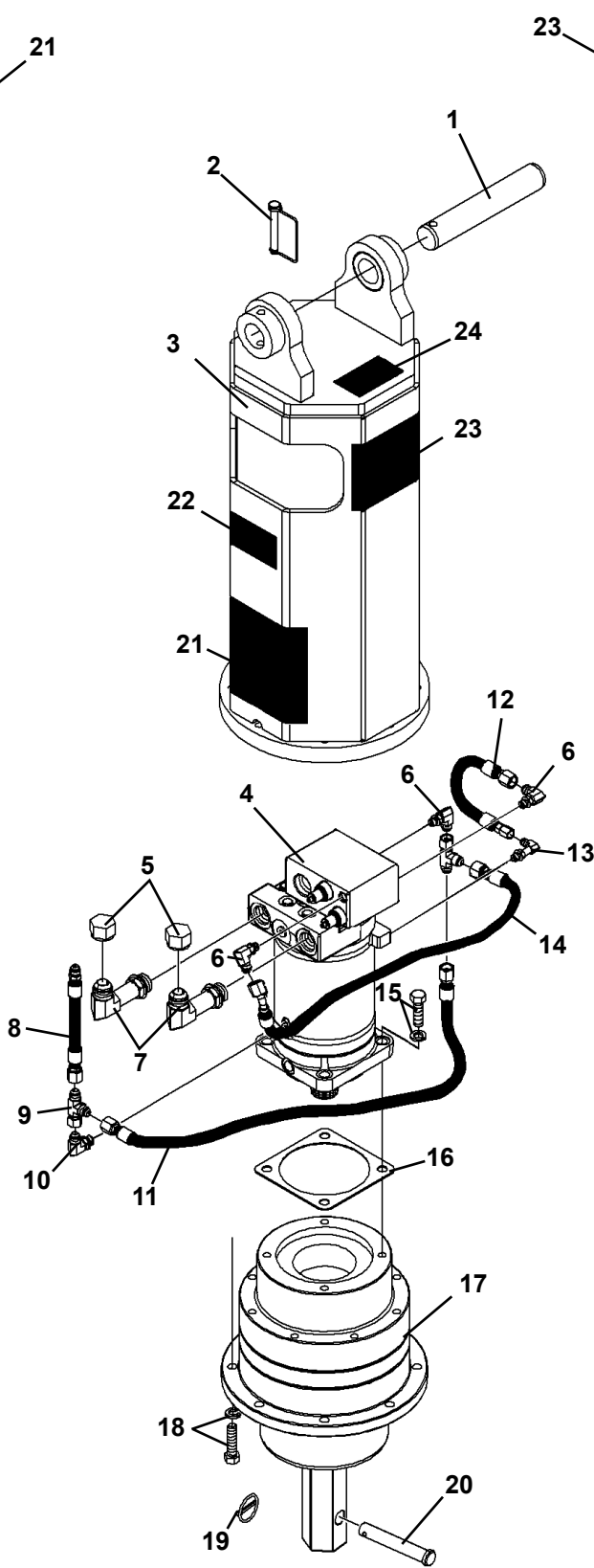
# X8075 AUGER DRIVE ASSEMBLY

ASSEMBLY #24904

<u>ITEM</u>	<u>REQ'D</u>	<u>PART NO.</u>	<u>DESCRIPTION</u>
1	1	109881	Planetary Housing
2	1	----	Serial Number Identification Tag Location
3	2	22680	Danger Decal
4	1	41079	Notice Decal
5	1	41068	Model / Logo Decal
6	2	22600	90° Elbow 12MBo-12MJ
7	2	30292	Straight Connector 16MBo-12FBo
8	1	35754	Hose .25" X 24" 6FJX - 6MJ
9	1	30142	90° Elbow 8MBo-6MJ
10	4	1092	.50" UNC X 2.00" Hex Capscrew
11	12	1505	.50" Lock Washer
12	4	105803	Spacer
13	1	107654	Hydraulic Motor 32.1 CID
		45897	Replacement Shaft Seal
14	1	101864	Gasket
15	1	105219	Planetary Gearbox
		45985	Replacement Shaft Seal
16	8	1091	.50" UNC X 1.75" Hex Capscrew
17	1	22263	Pivot Pin
18	1	21169	Klik Pin

# 8K2 AUGER DRIVE ASSEMBLY

## ASSEMBLY #24905





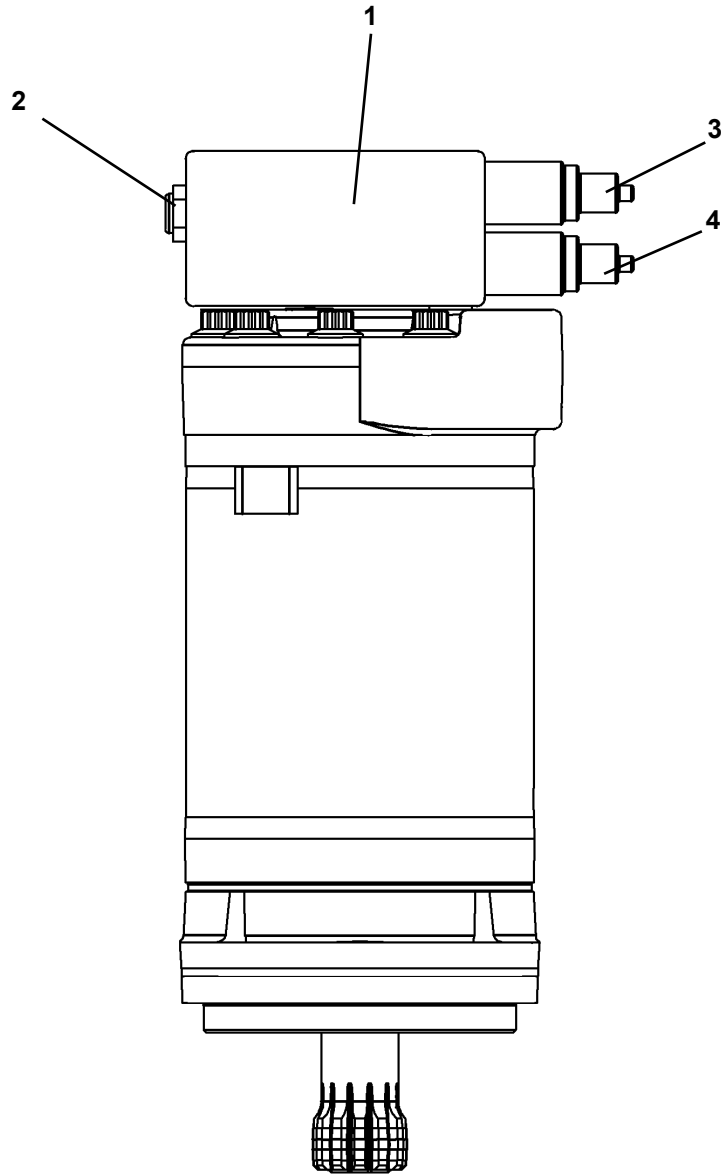
# 8K2 AUGER DRIVE ASSEMBLY

ASSEMBLY #24905

<u>ITEM</u>	<u>REQ'D</u>	<u>PART NO.</u>	<u>DESCRIPTION</u>
1	1	24860	Pivot Pin
2	1	107439	Safety Snap Pin
3	1	109881	Housing
4	1	106208	Hydraulic Motor
5	2	30002	Cap
6	3	3417	90° Elbow 4MBo-6MJ
7	2	30098	90° Elbow - Long 12MBo-12MJ
8	1	38561	Hose .25" X 7.75" 6FJX-6MJ
9	2	3346	Tee 6MJ-6FJX-6MJ
10	1	3434	90° Elbow 6MBo-6MJ
11	1	38560	Hose .25" X 17.5" 6FJX-6FJX
12	1	38559	Hose .25" X 9.5" 4FJX-6FJX
13	1	30267	90° Elbow - Long 4MBo-4MJ
14	1	38558	Hose .25" X 13" 6FJX 45°-6FJX
15	4	1091	.50" UNC X 1.75" Hex Capscrew
	4	1505	.50" Lock Washer
16	1	101864	Motor Gasket
17	1	105219	Planetary
		45985	Replacement Shaft Seal
18	8	1092	.50" UNC X 2.00" Hex Capscrew
	8	1505	.50" Lock Washer
19	1	21169	Klik Pin
20	1	22263	Clevis Pin
21	1	41069	Logo/Model Number Decal - 8K2
22	1	41079	Notice Decal
23	2	22680	Danger Decal
24	-	-----	Serial Number Identification Tag Location

# REPLACEMENT PARTS

HYDRAULIC MOTOR #106208



# REPLACEMENT PARTS

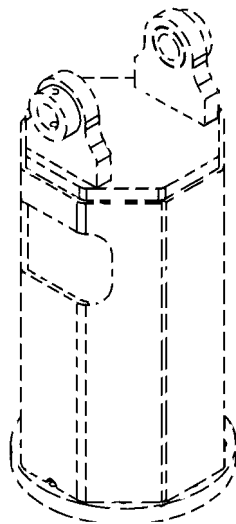
HYDRAULIC MOTOR #106208

<u>ITEM</u>	<u>REQ'D</u>	<u>PART NO.</u>	<u>DESCRIPTION</u>
1	1	46041	2-Speed Valve
2	1	46036	Replacement Shuttle Valve
3	1	46038	Replacement Pressure Sequence Valve
4	1	46037	Replacement Pressure Breaker Sequence Valve
		Contact Factory	Replacement Relief Valve (If so equipped)
		46035*	Replacement Seal Kit (Includes all face seals and internal seals.)

\* Field replacement of internal motor seals will void warranty.

**THIS PAGE  
IS INTENTIONALLY  
BLANK**

# **(HEAVY DUTY) MOUNTING KITS FOR X6075/ / X8075 / 8K2 MCMILLEN AUGER DRIVES**



## ***NEW MOUNTS ARE BEING DESIGNED EVERY DAY.***

Contact the factory if you do not find your application listed.

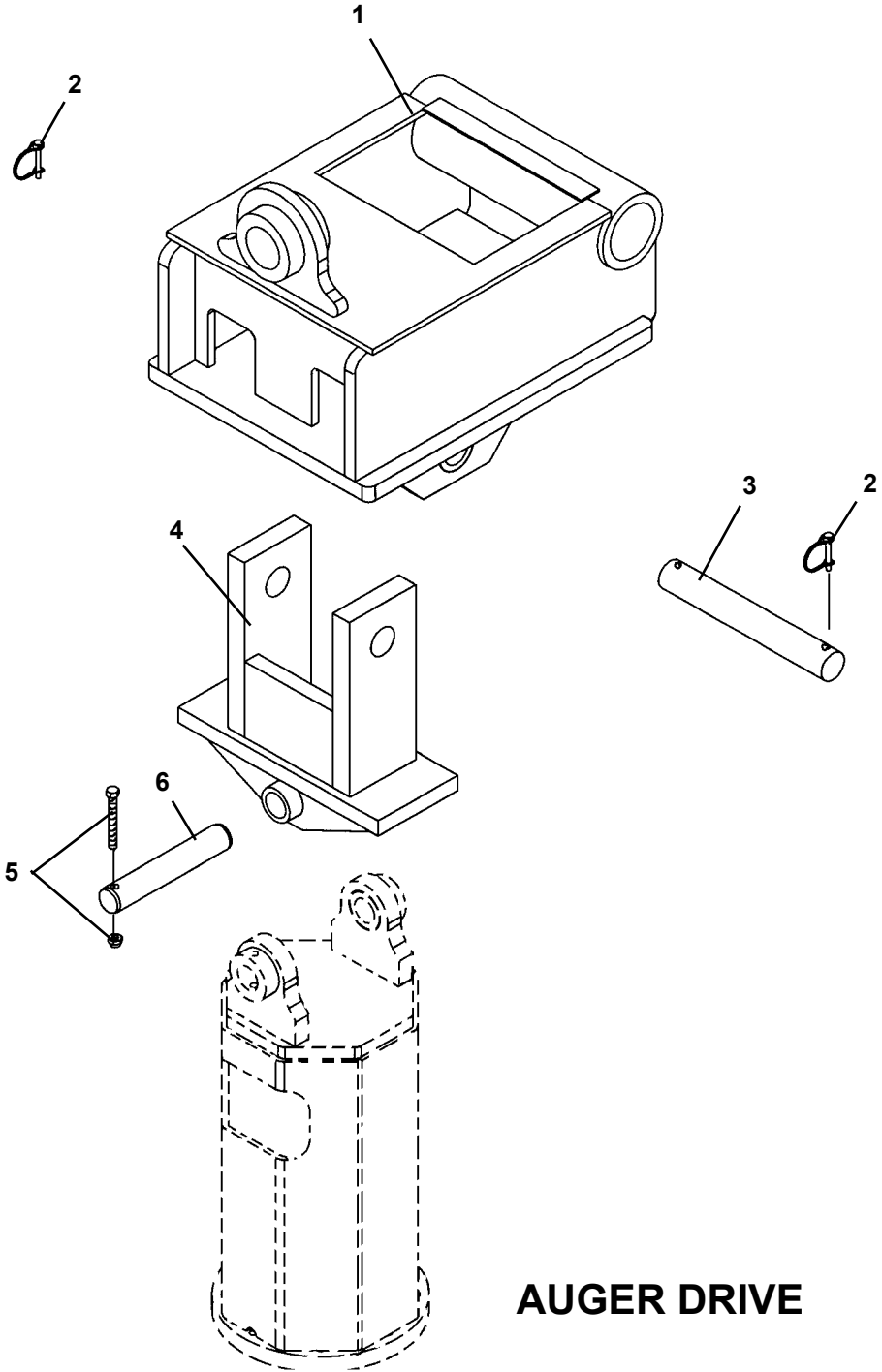
The mounting kits included in this section are for all drives that have a heavy duty “ear” type mounting. Auger drive specifications will determine if your drive unit can be mounted to any given host machine. The GPM and PSI of the host machine must be within the recommended range of the drive unit being installed.

## **DEALERS AND/OR OWNERS MUST DETERMINE THAT COMPATIBILITY BETWEEN THE HOST MACHINE AND THE AUGER DRIVE EXISTS.**

Compatibility includes hydraulic flow and pressure along with structural integrity.

# TLB & EXCAVATOR MOUNTING

## QUICK HITCH COUPLER STYLE MOUNTING



**AUGER DRIVE**

## TLB & EXCAVATOR MOUNTING

### QUICK HITCH COUPLER STYLE MOUNTING

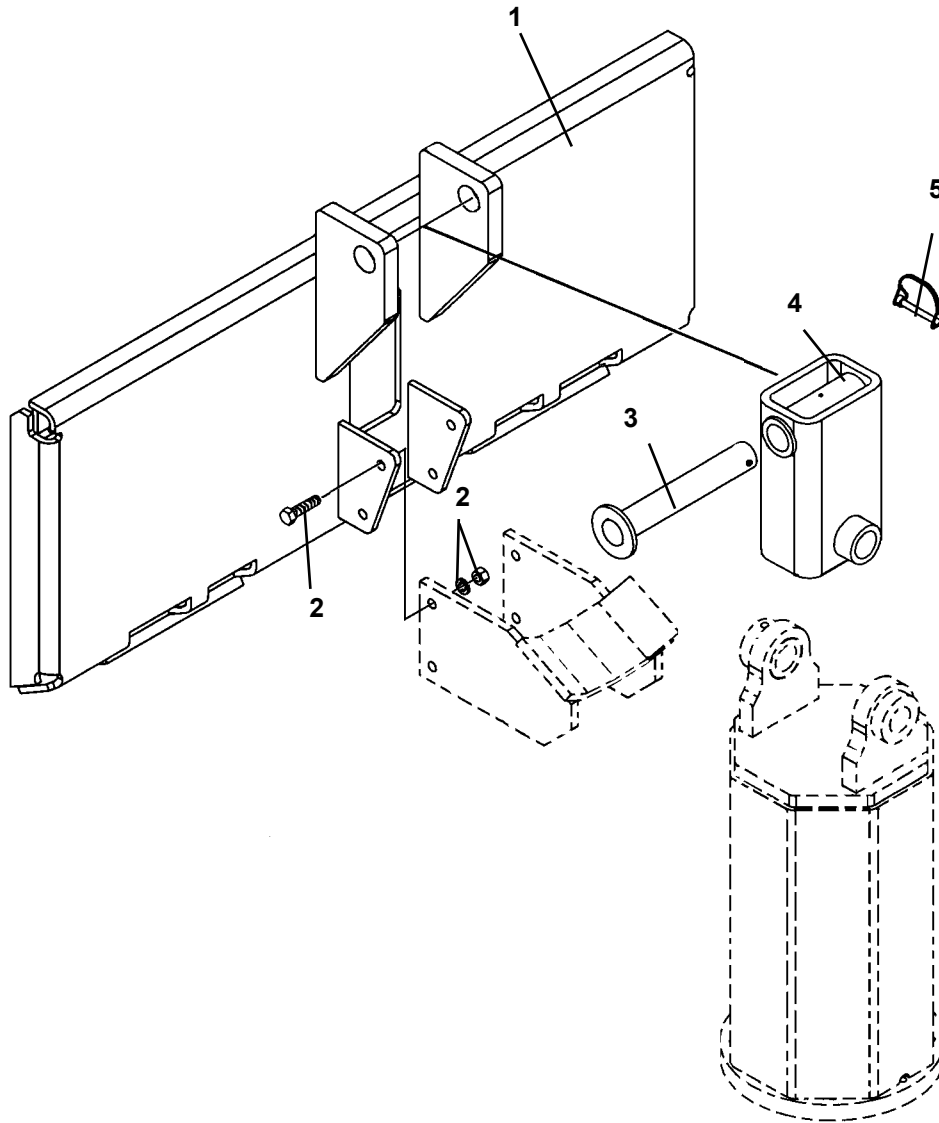
<u>ITEM</u>	<u>REQ'D</u>	<u>PART NO.</u>	<u>DESCRIPTION</u>
1	1	VARIES* 23436 23437	Quick Hitch Coupler Mount (Pendulum Style) C & P #030 Quick Hitch - Assembly 23434 C & P #034 / #036 Quick Hitch - Assembly 23438
2	2	22269	Lynch Pin
3	1	23430	Pivot Pin
4	1	21292	Dipper Pivot
5	1 1	1074 or 1075 1227	.44" UNC X 3.00 or 3.25 Hex Capscrew (boss is 2.75") .44" UNC Hex Nut
6	1	24860	Swivel Pin

\* New mounts are being designed every day. Contact Factory if your application is not listed.

M-1686 11-8-07

# SKID STEER LOADER MOUNTING

## UNIVERSAL SKID STEER QUICK ATTACH



### AUGER DRIVE



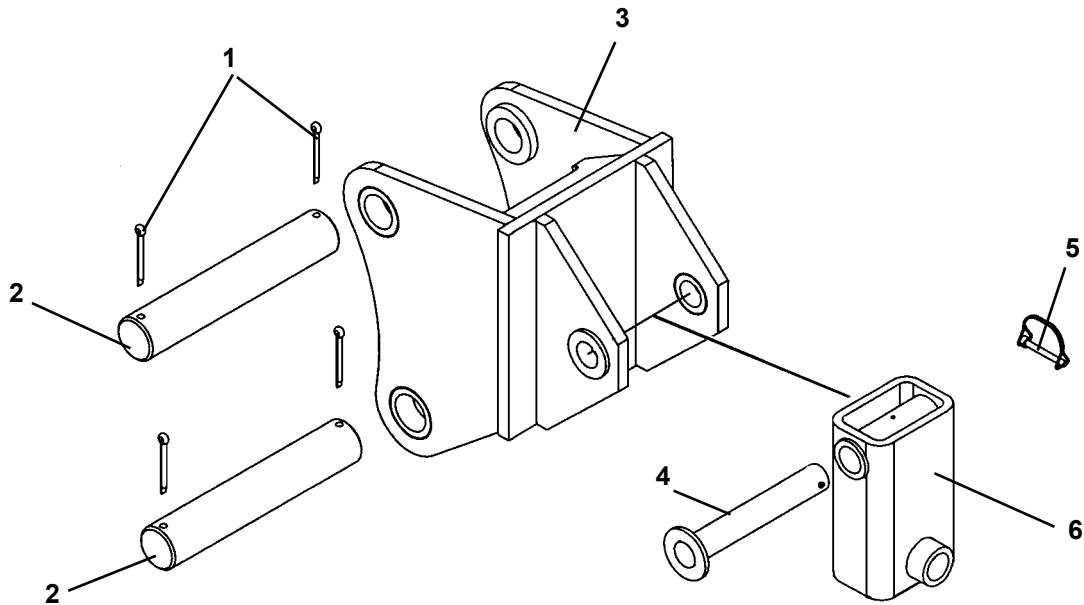
# SKID STEER LOADER MOUNTING

## UNIVERSAL SKID STEER QUICK ATTACH

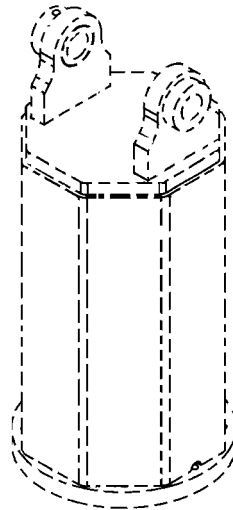
<u>ITEM</u>	<u>REQ'D</u>	<u>PART NO.</u>	<u>DESCRIPTION</u>
1	1	23830	Heavy Duty Quick Attach Mount
2	4	1092	.50" UNC X 2.00" Hex Capscrew
	4	1505	.50" Lock Washer
	4	1228	.50" UNC Hex Nut
3	1	23839	Pin, 1.50" X 8.75
4	1	23835	Auger Pivot
	2	6616	Grease Fitting
5	1	10040	Safety Pin (.31" X 2.50")

# TLB & EXCAVATOR MOUNTING

## PIN GRABBER STYLE MOUNTING



### AUGER DRIVE



# TLB & EXCAVATOR MOUNTING

## PIN GRABBER STYLE MOUNTING

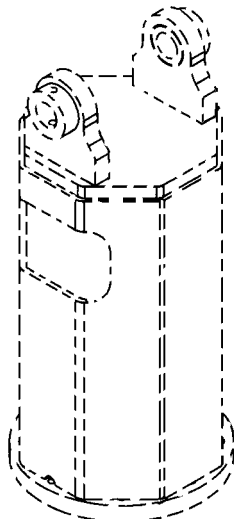
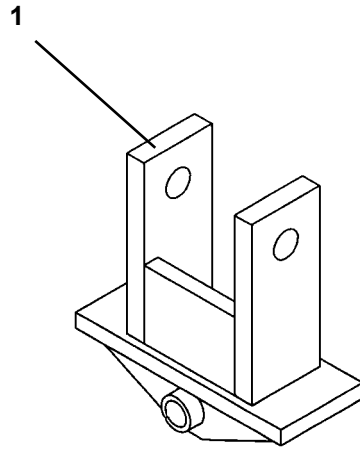
<u>ITEM</u>	<u>REQ'D</u>	<u>PART NO.</u>	<u>DESCRIPTION</u>
1	4	10050	Cotter Pin (.31" X 4.00")
2	2	VARIES	Pin Grabber Pivot Pin (Diameter X Effective Length)
		24737	Pin, 2.50" X 12.25"
		23853	Pin, 1.97" X 11.25"
		23854	Pin, 2.17" X 11.25"
		24933	Pin, 2.50" X 12.83"
3	1	VARIES*	Pin Grabber Mount
		111306	Case CX80 - Assembly 111305 (Does not include Items #1 & #2)
		24932	Caterpillar 311 / 312 - Assembly 24931
		23852	John Deere 310SE / 310SG / 410E / 410G - Assembly 23797
		109910	Kobelco SK115SRDZ - Assembly 109909
4	1	23839	Pin, 1.50" X 8.75"
5	1	10040	Safety Pin (.31" X 2.50")
6	1	23835	Auger Pivot
	2	6616	Grease Fitting

\* New mounts are being designed every day. Contact Factory if your application is not listed.

M-1684 11-8-07

# DIPPER MOUNTING

## PENDULUM STYLE MOUNTING



## AUGER DRIVE

# DIPPER MOUNTING

## PENDULUM STYLE MOUNTING

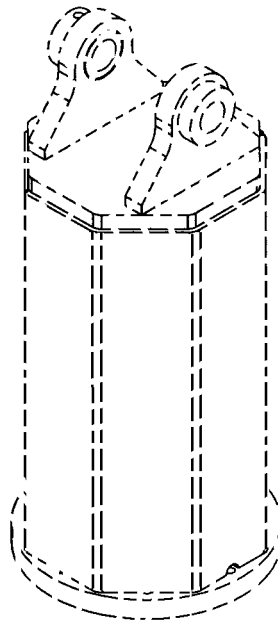
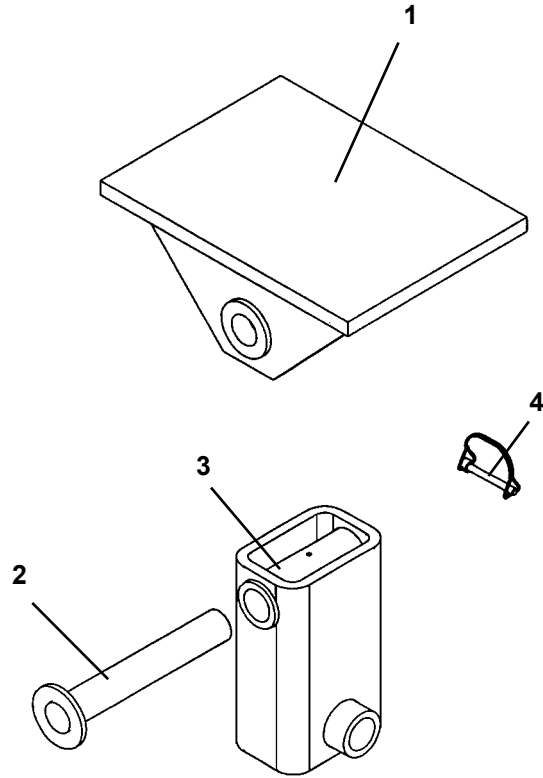
<u>ITEM</u>	<u>REQ'D</u>	<u>PART NO.</u>	<u>DESCRIPTION</u>
1	1	VARIES* 21291	Pendulum Mount Case 580/590 1.75" Pin X 10.125" Dipper Width
		21293	Caterpillar 416/426/428/436 50mm Pin X 10.625 Dipper Width
		21295	JCB 2214/1400/1700 1.75" Pin X 6.625 Dipper Width
		21292	John Deere 310/410/510 1.75" Pin X 8.281 Dipper Width
		21296	John Deere 310SE/310SG/410E/410G 50mm Pin X 8.281 Dipper Width
		21294	New Holland 400/500/600/700 Series 1.75" Pin X 7.938" Dipper Width

\* New mounts are being designed every day. Contact Factory if your application is not listed.

M-1688 11-8-07

# EXCAVATOR MOUNTING

## WELD ON MOUNTING



**AUGER DRIVE**

# EXCAVATOR MOUNTING

## WELD ON MOUNTING

<u>ITEM</u>	<u>REQ'D</u>	<u>PART NO.</u>	<u>DESCRIPTION</u>
1	1	24090	Universal Weld-On Mounting Plate - Pivot
2	1	23839	Pin, 1.50" X 8.75"
3	1	10040	Safety Pin (.31" X 2.50")
4	1	23835	Auger Pivot
	2	6616	Grease Fitting