



# CENTURY HEARTH

**INSTALLER / CONSUMER  
SAFETY INFORMATION**

**PLEASE READ THIS MANUAL  
BEFORE INSTALLING AND  
USING APPLIANCE**

**WARNING!**  
IF THE INFORMATION IN THIS  
MANUAL IS NOT FOLLOWED  
EXACTLY, AN ELECTRICAL SHOCK  
OR FIRE MAY RESULT CAUSING  
PROPERTY DAMAGE, PERSONAL  
INJURY OR LOSS OF LIFE.

## **FOR YOUR SAFETY**

Service must be performed by a  
qualified service agency.

**DO NOT STORE OR USE  
GASOLINE OR OTHER  
FLAMMABLE VAPORS OR  
LIQUIDS IN THE VICINITY OF  
THIS OR ANY OTHER  
APPLIANCE.**



## **Wilshire**

### **Freestanding Electric Stove**

### **Model: HES60**



## **Installation Instructions and Homeowners Manual**

**INSTALLER: DO NOT DISCARD THIS MANUAL - LEAVE FOR HOMEOWNER**

10006943 3/06 Rev. 3

# Table of Contents

## PLEASE READ THE INSTALLATION & OPERATING INSTRUCTIONS BEFORE USING THIS APPLIANCE

Thank you and congratulations on your purchase of a CFM Corporation stove.

**IMPORTANT:** Read all instructions and warnings carefully before starting installation. Failure to follow these instructions may result in a possible electric shock, fire hazard and will void the warranty.

### Installation Instructions

General	3
Locating Your Stove	3
Stove Dimensions	4
Clearance to Combustibles	5
Hearth	5
Plexiglass Information	5
Electrical Specifications	5
Electrical Connections	5

### Service Instructions

Replacing Light Bulbs	6
Maintenance of Motors	6
Electrical Wiring Diagram	7

### Operating Instructions

On/Off Switch	7
Heater Control	7

Warranty	8
----------	---

# IMPORTANT INSTRUCTIONS

## Installation Instructions

### General

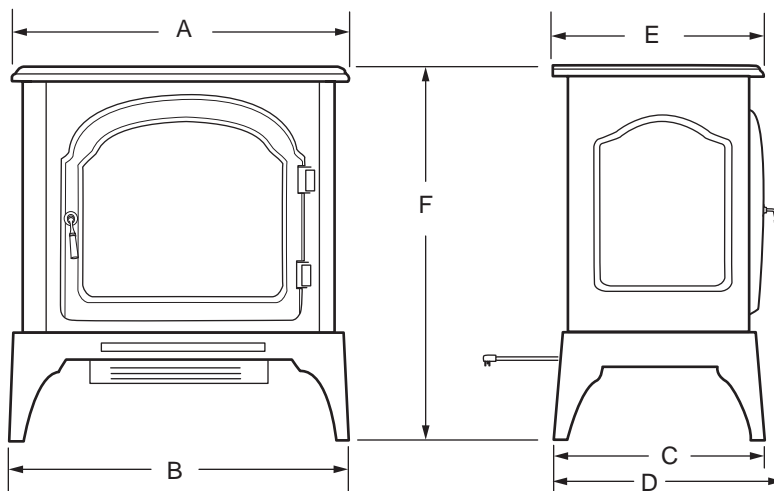
1. Read all instructions before using this appliance.
2. This appliance is hot when in use. To avoid burns, do not let bare skin touch hot surfaces. If provided, use handles when moving this appliance. Keep combustible materials, such as furniture, pillows, bedding, papers, clothes and curtains at least 3 feet (914mm) from the front of this appliance.
3. **CAUTION: Extreme caution is necessary when any heater is used by or near children or invalids and whenever the heater is left operating unattended.**
4. If possible always unplug this appliance when not in use.
5. Do not operate any heater with a damaged cord or plug or after the appliance malfunctions, has been dropped or damaged in any manner.
6. Any repairs to this appliance should be carried out by a qualified service person.
7. Under no circumstances should this appliance be modified. Parts having to be removed for servicing must be replaced prior to operating this stove again.
8. Do not use outdoors.
9. This heater is not intended for use in bathrooms, laundry areas and similar indoor locations. Never locate this appliance where it may fall into a bathtub or other water container.
10. Do not run cord under carpeting. Do not cover cord with throw rugs, runners or the like. Arrange cord away from traffic areas and where it will not be tripped over.
11. To disconnect this appliance, turn controls to the off position, then remove plug from outlet.
12. Connect to properly grounded outlets only.
13. This appliance, when installed must be electrically grounded in accordance with local codes, with the current CSA C22.1 Canadian Electrical codes or for USA installations, follow local codes and the National Electric Code, ANSI/NFPA No. 70.
14. Do not insert or allow foreign objects to enter any ventilation or exhaust opening as this may cause an electric shock, fire or damage the appliance.
15. To prevent possible fire, do not block air intakes or exhaust in any manner. Do not use on soft surfaces, like a bed, where openings may become blocked.
16. This appliance has hot and arcing or sparking parts inside. Do not use it in areas where gasoline, paint or flammable liquids are used or stored. This appliance should not be used as a drying rack for clothing, nor should Christmas stockings or decorations be hung on or near it.
17. Use this appliance only as described in this manual. Any other use not recommended by the manufacturer may cause fire, electric shock or injury to persons.
18. Avoid the use of an extension cord because the extension cord may overheat and cause a risk of fire. However, if you have to use an extension cord, the cord shall be No. 14 AWG minimum size and rated not less than 1875 Watts. The extension cord must be a three wire cord with grounding type plug and cord connector. The extension cord shall not be more than 20 feet (6m) in length.

### Locating Your Stove

Your new freestanding electric stove may be installed virtually anywhere in your home. However, when choosing a location for your new stove, ensure that the general instructions are followed. Also, for best effect, install the stove away from direct sunlight.

**SAVE THESE INSTRUCTIONS**

## Stove Dimensions



A	Width of Stove Top	24"	610 mm
B	Width at Legs	24"	610 mm
C	Depth at Legs	15"	381 mm
D	Depth at Handle	16 $\frac{1}{8}$ "	410 mm
E	Depth at Stove Top	15"	381 mm
F	Total Height	26"	660 mm

## Clearance to Combustibles

Back	.2" (51 mm)
Sides	.6" (153 mm)
Floor	.0" (0 mm)
Top	.24" (610 mm)

## Hearth

A hearth is not mandatory, but is recommended for aesthetic purposes. We recommend a noncombustible hearth which does not obstruct heater openings.

## Plexiglass Information

1. This product uses plexiglass on the door window.
2. Under no circumstances should this product be operated with missing or broken plexiglass.
3. Do not strike or slam the plexiglass.
4. Do not use abrasive cleaners to clean the plexiglass.

## Electric Specifications

Voltage	120V AC/60Hz
Total Amps	12.20 Amps
Total Watts	1460 Watts
Heater Ratings	1300 Watts

## Electrical Connection

A 15 Amp, 120 Volt, 60 Hz circuit with a properly grounded outlet is required. Preferably, the appliance will be on a dedicated circuit as other appliances on the same circuit may cause the circuit breaker to trip or the fuse to blow when the heater is in operation.

The unit comes standard with a 6' (1.8m) long three wire cord, exiting from the rear of the stove. Plan the installation to avoid the use of an extension cord. If an extension cord must be used, it must be a minimum 14AWG, three wire with grounding type plug connector and rated not less than 1875 Watts. The cord shall not be more than 20' (6m) in length.



**WARNING: Electrical outlet wiring must comply with local building codes and other applicable regulations to reduce the risk of fire, electrical shock and injury to persons.**



**WARNING: Do not use this stove if any part of it has been under water. Immediately call a qualified service technician to inspect the stove and replace any part of the electrical system.**

## Grounding Instructions

This heater is for use on 120 volts. The cord has a plug as shown at A in Figure 1. An adapter as shown at C is available for connecting three-blade grounding-type plugs to two-slot receptacles. The green grounding lug extending from the adapter must be connected to a permanent ground such as a properly grounded outlet box. The adapter should not be used if a three-slot grounded receptacle is available.

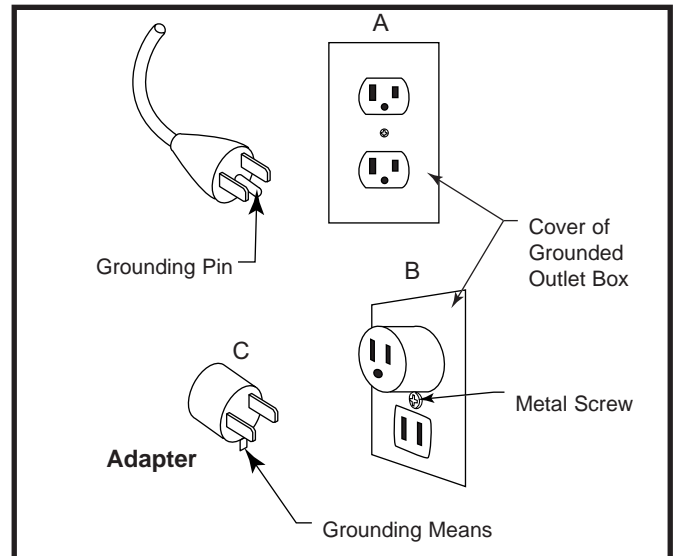


Fig. 1 Grounding methods.

# Service Instructions



**WARNING:** Disconnect power before attempting any maintenance or cleaning to reduce the risk of fire, electrical shock or personal injury.

## Maintenance of Motors

The motors used on the fan and the flame generator assembly are prelubricated for extended bearing life and require no further lubrication. However, periodic cleaning/vacuuming of the fan/heater unit is recommended.



**WARNING:** Make sure the power is turned off before proceeding.

## Replacing Light Bulbs

This stove uses two clear 120 Volt, 40 Watt, E-12 socket base light bulbs (small base, chandelier candle type). The 40 Watt bulbs are located under the log set/ember bed. For convenience, if one of the bulbs burns out, it may be a good idea to replace both of the light bulbs.

1. Turn off power to the unit by unplugging the power cord.
2. Let stove cool if it has been operating.
3. Remove the access plate on the back of the stove by removing the screws. You should have a clear view of the light bulbs. Put your hand over the silver flame generator to remove or replace the light bulb(s).

**CAUTION:** Be careful not to touch or bend the flame generator.

4. Examine the bulbs to determine which bulb needs to be replaced.
5. Unscrew defective bulb(s).
6. Install new 40 Watt light bulb(s).
7. Replace access plate. Plug power cord into wall outlet.



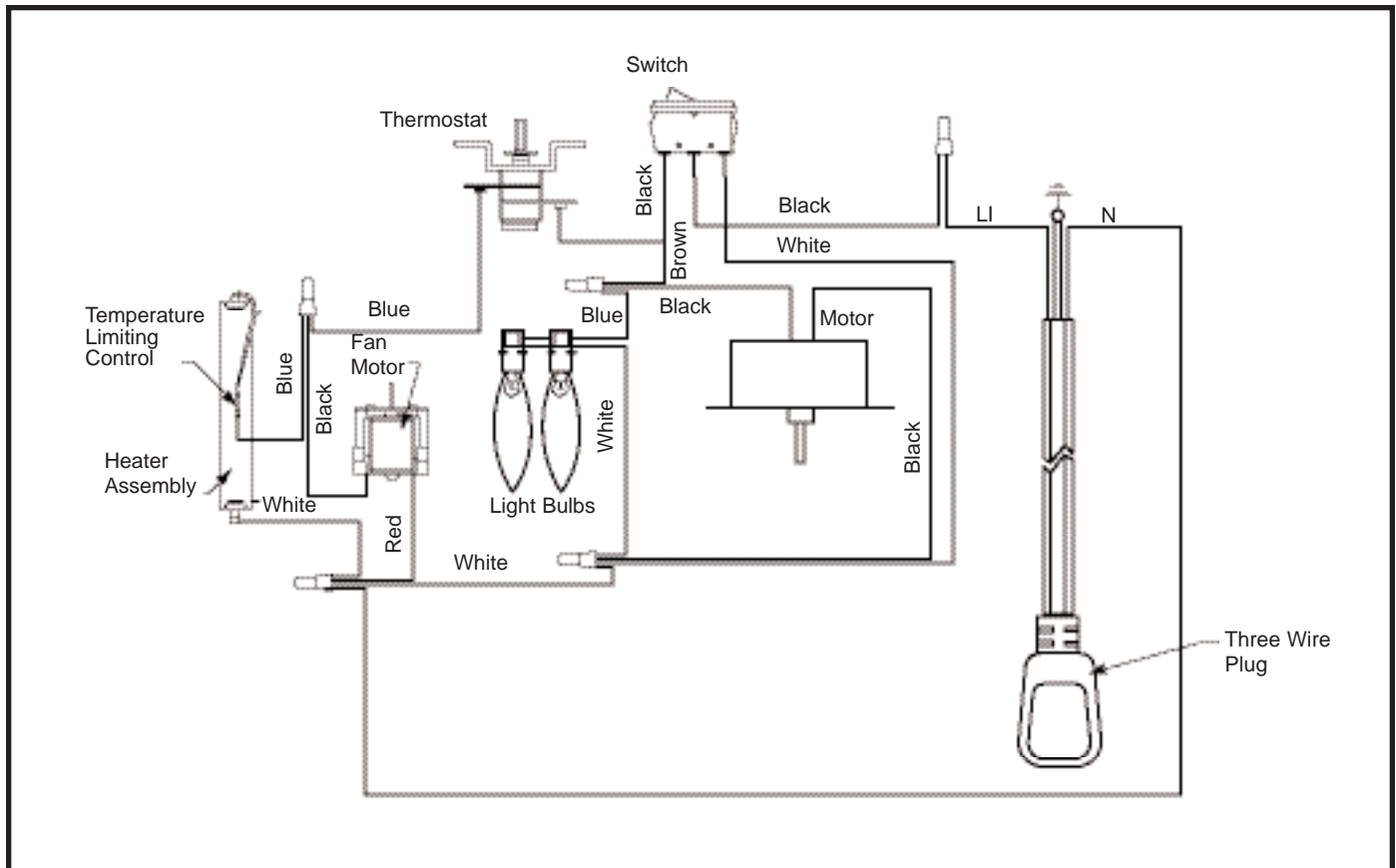
**WARNING:** Do not exceed 40 watts per bulb. Use of higher rated bulbs may result in a fire, causing property damage or personal injury.

# Electrical Wiring Diagram

Any electrical repairs or rewiring of this unit should be carried out by a licensed electrician in accordance with national and local codes.



**If repairing or replacing any electrical component or wiring, the original wire routing, color coding and securing locations must be followed.**

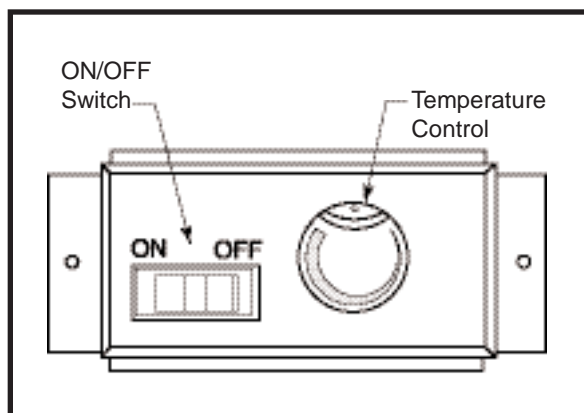


## Operating Instructions

### Main On/Off Switch

The On/Off switch supplies power to all of the functions of the stove. It is located behind the front door.

**WARNING: During any service of this appliance, the power to the unit must be turned off. It is not acceptable to use the "On/Off" switch to meet this requirement.**



### Heater Control

The heater control acts to turn the heater on and off as well as setting the comfort level in the room. Turning the knob clockwise from the off position will place the heater into operation. The further the knob is rotated clockwise, the higher the set point temperature. turning the knob counterclockwise will lower the set point temperature. Turning it all the way counterclockwise will turn the heater function off.

# 1 YEAR WARRANTY

## For HES60 Electric Stove

### BASIC WARRANTY:

CFM Corporation (hereinafter referred to collectively as the "Company") warrants that your new Century stove is free from manufacturing and material defects for a period of one year from date of installation, subject to the following conditions and limitations.

1. This electric stove must be installed and operated at all times in accordance with the Installation and Operating instructions furnished with the product. Any alteration, willful abuse, accident, or misuse of the product shall nullify this warranty.
2. This warranty is non-transferrable, and is made to the original owner, provided that the purchase was made through an authorized supplier of the Company.
3. This warranty is limited to the repair or replacement of part(s) found to be defective in material or workmanship, provided that such part(s) have been subjected to normal conditions of use and service, after said defect is confirmed by the Company's inspection.
4. **This warranty does not cover the lightbulb(s) included with the stove.**
5. The Company may, at its discretion, fully discharge all obligations with respect to this warranty by refunding the wholesale price of the defective part(s).
6. Any installation, labour, construction, transportation, or other related costs/expenses arising from defective part(s), repair, replacement, or otherwise of same, will not be covered by this warranty, nor shall the Company assume responsibility for same. Further, the Company will not be responsible for any incidental, indirect, or consequential damages, except as provided by law.
7. All other warranties - expressed or implied - with respect to the product, its components and accessories, or any obligations/liabilities on the part of the Company are hereby expressly excluded.
8. The Company neither assumes, nor authorizes any third party to assume, on its behalf, any other liabilities with respect to the sale of this Norther Flame product.
9. The warranties as outlined within this document do not apply to non-CFM Corporation accessories used in conjunction with the installation of this product.

### This warranty is void if:

- a) The stove has been operated in atmospheres contaminated by chlorine, fluorine or other damaging chemicals.
- b) The stove is subjected to prolonged periods of dampness or condensation.
- c) Any alteration, willful abuse, accident, or misuse of the product.

### IF WARRANTY SERVICE IS NEEDED . . .

- 1) Contact your supplier. Make sure you have your warranty, your sales receipt, and the model/serial number of your CFM Corporation product.
- 2) **DO NOT ATTEMPT TO DO ANY SERVICE WORK YOURSELF.**

## CFM Corporation

2695 Meadowvale Blvd. • Mississauga, Ontario, Canada L5N 8A3  
800-668-5323 • www.cfmcorp.com