

# ***BRUSH CUTTER***

**UMK435**

**PARTS CATALOGUE**

**1**



UMK435

---

FOREWORD INDEX

**1**

---

ENGINE GROUP

**2**

---

FRAME GROUP

**3**

---

PART NUMBER INDEX

**4**

---

PART NAME INDEX

**5**

---



**Instruction for use of parts catalogue**

- **This parts catalogue was prepared based on the latest information available as of November 20, 2004.**
  - See the parts catalogue news for any revision that is made after November 20, 2004.
- **Always specify the part number when ordering a part.**
  - Check the model, type, serial numbers, color, maker, and the size as needed before ordering a part.
  - Note that the illustrations (part drawings) can differ from the actual parts in shape. They are given just to help you to refer to the parts.
- **When modifications or additions to this parts catalogue are made, a revised edition will be issued at an appropriate time, with successively progressing revision numbers on the cover. We recommend obtaining such revisions in order to keep your parts catalogue up-to-date at all times. To check whether a parts catalogue revision has been issued, please contact your Honda distributor.**

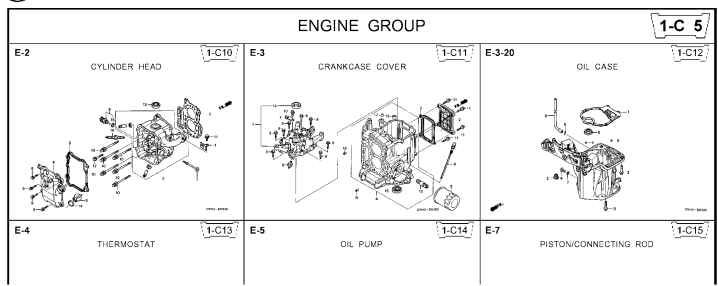
Initial version issue date **November 20, 2004**  
**Honda Motor Co., Ltd.**

**CONTENTS**

	Page	Address No.	
● How to refer to the part information .....	2	B 2	<b>1</b>
● Part catalogue structure .....	3	B 3	
● When the parts were revised .....	4	B 4	
● Abbreviations used in the parts catalogue.....	4	B 4	
● How to check the part block and serial numbers.....	5	B 5	
● Models, parts catalogue codes and applicable serial numbers .....	6	B 6	
● Features of each type.....	7	B 7	
● Fuel hose, general purpose hoses and vinyl hose.....	8	B 8	
● FLAT RATE SERVICE TIME.....	9	B 9	
● Illustrated index .....	14	B14	
● ENGINE GROUP.....	17	C 1	<b>2</b>
● FRAME GROUP.....	32	D 1	<b>3</b>
● PART NO. INDEX.....	39	E 1	<b>4</b>
● PART NAME INDEX.....	40	F 1	<b>5</b>

How to refer to the part information

A Reference with "Illustrated index"



B Reference with "Part number index"

PART NO. INDEX

Part Number	Address	Page	Ref.	Part Number	Address	Page
06000				15212-ZW9-000	1-C14	3C
06316-ZW9-000	1-G9	88	1	15220-ZW9-003	1-C14	3C
11000				15332-ZW9-000	1-E8	55
11300-ZW9-405	1-C11	27	1	15332-ZW9-A30	1-E11	5E
11300-ZW9-406	1-C11	27	1	15400-PFB-004	1-C11	27
11340-ZW9-000	1-C11	27	2	15422-ZW9-000	1-C14	3C
11342-ZW9-000	1-C11	27	3	15473-881-000	1-C14	3C
11381-ZW9-003	1-C12	28	1	15474-ZW9-000	1-C14	3C
				15611-921-000	1-C10	2E
				15655-ZW9-000	1-C11	27
				16000		
12000				16010-ZV4-005	1-D4	3E
12000-ZW9-405ZA	1-C11	27	4	16011-ZV4-005	1-D4	3E
12155-ZV4-A00	1-C13	29	1	16013-ZW9-003	1-D4	3E
12166-ZW9-000	1-C10	26	1	16016-ZW9-003	1-D4	3E
12209-GB4-681	1-C16	32	1	16016-ZW9-721	1-D4	3E
12210-ZW9-405ZA	1-C10	26	2	16023-ZW9-003	1-D4	3E
12216-ZE2-300	1-E8	55	1	16024-ZV4-650	1-D4	3E
	1-E11	58	1	16028-ZV4-650	1-D4	3E

C Reference with "Part name index"

PART NAME INDEX

Part name	Address	Page	Ref.
[ A ]			
ABSORBER , FUEL	1-E15	62	5
ARMATURE COMP.	1-D11	43	7
ARM COMP. , LINK JOINT	1-G6	85	18
ARM COMP. , SHIFT LINK	1-G6	85	14
ARM COMP. , TILT	1-F15	79	20
ARM , FUEL PUMP ROCKER	1-C16	32	4
ARM , REVERSE LOCK	1-F15	79	18
ARM , SHIFT LINK	1-F11	74	7
ARM , STOPPER	1-D1	33	12
ARM , THROTTLE REMOTE	1-F11	74	6
ARM , VALVE ROCKER	1-C16	32	3
[ B ]			
BAG , TOOL , 160MM	1-G5	84	10
BAND	1-G6	86	37
BAND B1 , WIRE	1-F6	69	1
BAND , CORD	1-F3	67	18
BAND , TUBE CLIP , 11MM	1-E15	63	20
BAND , TUBE CLIP , 12.5MM	1-E15	63	19

Address No. 1-C10

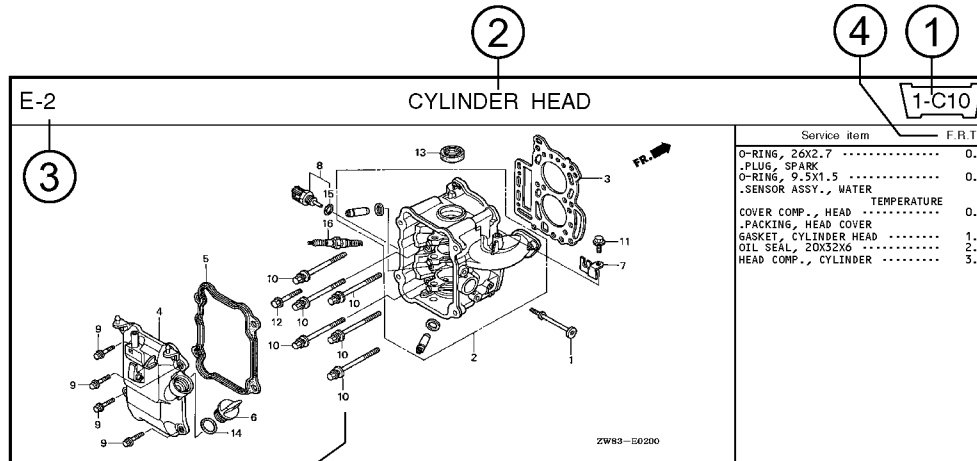
Block No. E-2 CYLINDER HEAD

Ref No.

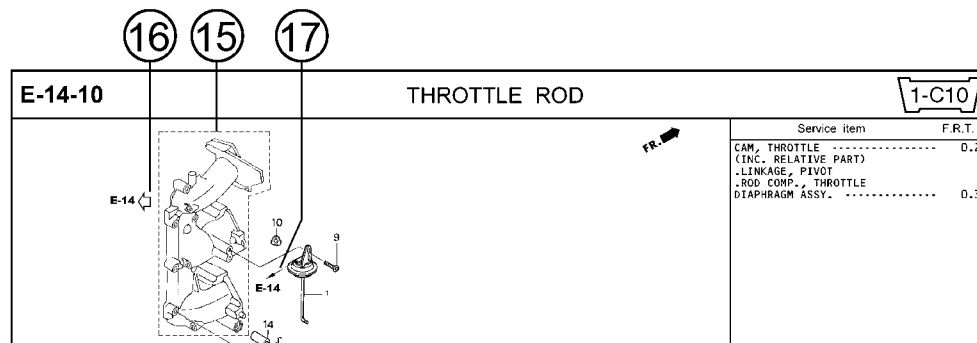
Ref. No.	Part No.	Description	Reqd. QTY						Serial No.	Parts catalogue code
			9901	9901	1001	1001	1001	1001		
1	12166-ZW9-000	STOPPER, ENGINE SIDE	2	2	2	2	2			
2	12210-ZW9-000ZA	HEAD COMP., CYLINDER	1	1	1	1	1			
3	12251-ZW9-003	GASKET, CYLINDER HEAD	1	1	1	1	1			
4	12310-ZW9-000	COVER COMP., HEAD	1	1	1	1	1			
5	12312-ZW9-000	PACKINGS, HEAD COVER	1	1	1	1	1			
6	15611-921-000	CAP, OIL (NO GAUGE)	1	1	1	1	1			
7	16617-ZW9-000	HOLDER, CABLE	1	1	1	1	1	SC,SG		
	16617-ZW9-010		1	1	1	1	1	1001801	1001800 LHC,LHD	
			1	1	1	1	1	1001801	LHC,LHD	
8	35673-ZW5-003	SENSOR ASSY., WATER	1	1	1	1	1			
9	90003-ZW9-000	BOLT, FLANGE, 6X22	4	4	4	4	4			
10	90007-ZW9-003	BOLT, FLANGE, 8X83	6	6	6	6	6			
11	90011-ZW9-000	BOLT, FLANGE, 6X14(CT200)	1	1	1	1	1			
12	90020-ZW9-000	BOLT, FLANGE, 8X40	2	2	2	2	2			
13	91002-K19-003	OIL SEAL, 20X32X6	1	1	1	1	1			
14	91301-805-000	O-RING, 26X2.7	1	1	1	1	1			
15	91307-PK2-005	O-RING, 9.5X1.5(HONDA KIKAKI)	1	1	1	1	1			
16	98059-55916	PLUG, SPARK (CR5EH-9)	2	2	2	2	2			
	98059-55926	PLUG, SPARK (U16FER9)	2	2	2	2	2			

Page No. 2000.09.20 E

Part catalogue structure



Ref. No.	Part No.	Description	Reqd. QTY						Serial No.	Parts catalogue code
			BF 9/9D1	BFP 9/9D1	BF 10D1	BFP 10D1	BF 10B1	BFP 10B1		
1	12166-zw9-000	STOPPER, ENGINE SIDE	2	2	2	2	2			
2	12210-zw9-000ZA	HEAD COMP., CYLINDER *NHS*	1	1	1	1	1			
3	12251-zw9-003	GASKET, CYLINDER HEAD	1	1	1	1	1			
4	12310-zw9-000	COVER COMP., HEAD	1	1	1	1	1			
5	12312-zw9-000	PACKING, HEAD COVER	1	1	1	1	1			
6	15611-921-000	CAP, OIL (NO GAUGE)	1	1	1	1	1			
7	16617-zw9-000	HOLDER, CABLE	1	1	1	1	1	SC,SG		
	16617-zw9-010		1	1	1	1	1	1001800 LHC,LHD		



① Address number

- Address No. is provided (in place of the page No.) to help you refer to the part with the part No. or part name.

② Block title ③ Block number

④ Service item/Flat rate time

⑤ Reference number

- Title number marked with the parenthesis or parentheses indicates that it continues from the previous page.

⑥ Part number ⑦ Honda color code

⑧ Description

⑨ Assemblies

- Sections framed with broken lines in the exploded view drawings are available as complete assemblies. (Their individual parts can also be obtained.)

⑩ Color description

⑪ Note

- Notes are shown with the parentheses in the part name column.

⑫ Required quantity

- Required QTY shown in the parenthesis or parentheses indicates the optional part.
- Required QTY marked with "N" Indicates the optional part that should be selected as needed.
- Required QTY indicates the number of the part used in the block.

⑬ Serial number

⑭ Type

- When the type column is blank, it indicates that the part is applicable to all types.
- As the type of the actual unit may differ from the "parts catalogue, type" please refer to "Models, types and applicable serial numbers" for confirmation.

⑮

- Parts enclosed within a dotted line are covered in a different block.

⑯

- A hollow arrow indicates the block No. for the parts enclosed within a dotted line .

⑰

- A solid arrow indicates the block No. the part in question is connected to.

When the parts were revised

Abbreviations used in the parts catalogue

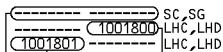
1



Be sure to check the serial number!!



Ref. No.	Part No.	Description	Reqd. QTY						Serial No.
			BF 9.9D1	BFP 9.9D1	BF 10D1	BFP 10D1	BF 10B1	BFP 10B1	
1	12166-ZW9-000	STOPPER, ENGINE SIDE	2	2	2	2	2	2	
2	12210-ZW9-000ZA	HEAD COMP., CYLINDER							
		*NH8*.....DARK GRAY	1	1	1	1	1	1	
3	12251-ZW9-003	GASKET, CYLINDER HEAD	1	1	1	1	1	1	
4	12310-ZW9-000	COVER COMP., HEAD	1	1	1	1	1	1	
5	12312-ZW9-000	PACKING, HEAD COVER	1	1	1	1	1	1	
6	15611-921-000	CAP, OIL (NO GAUGE)	1	1	1	1	1	1	
7	16617-ZW9-000	HOLDER, CABLE (###)	1	1	1	1	1	1	
	16617-ZW9-010		1	1	1	1	1	1	



The number has been used from the initial model without revision.

When shown at the left side, it is applicable to the models of No.1001801 and the subsequent numbers.

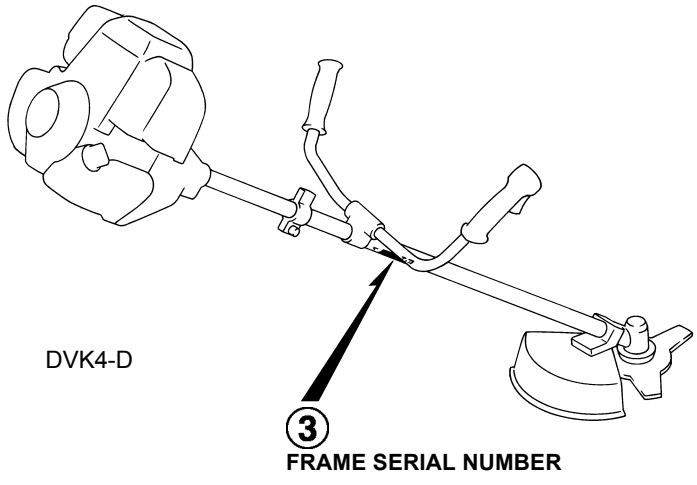
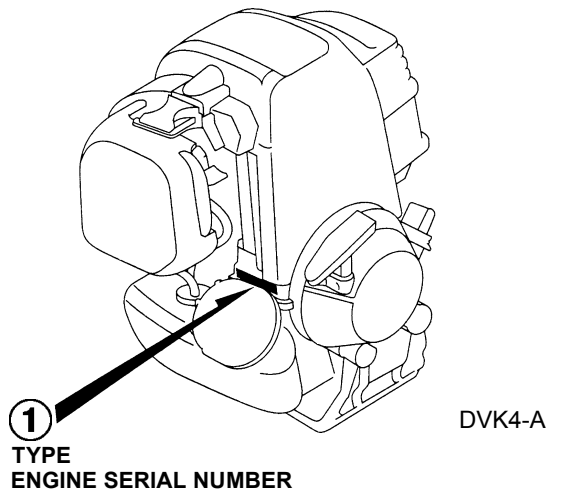
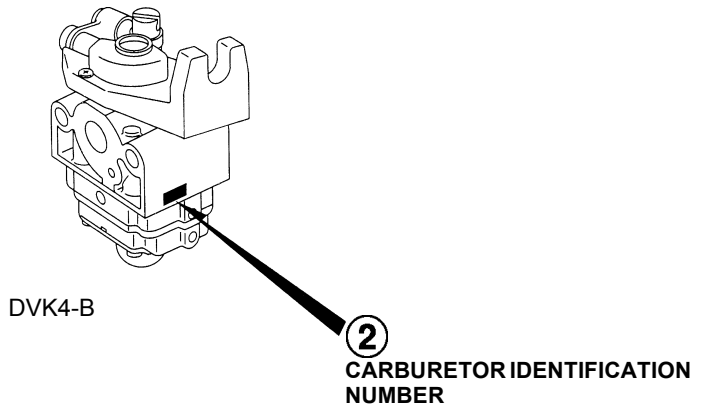
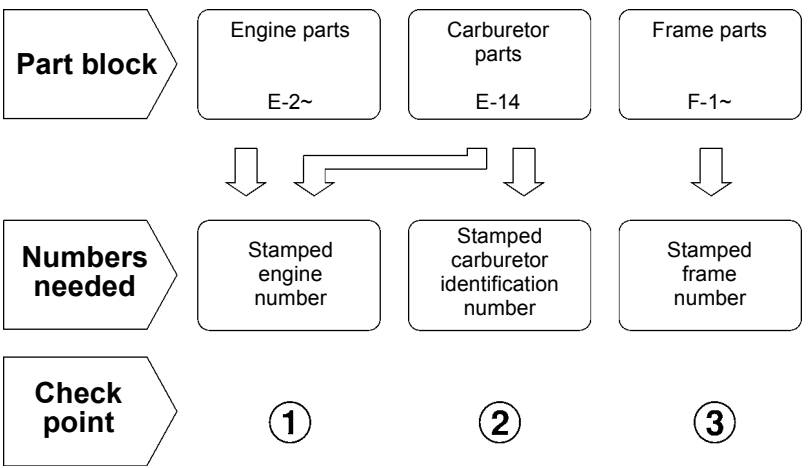
When shown at the right side, it is applicable to the models up to No.1001800.

• The parts listed with "###" at the end of the parts name have limited supply period (parts not for sale).

• The following abbreviations are used in the parts name column.

- |  |                             |
|--|-----------------------------|
| A ..... Ampere                               | FR. ....Front               |
| A.C. .... Alternating current                | IN. ....Inlet               |
| ASSY. .... Assembly                          | L (100L) .Link (100 Links)  |
| AT. .... Automatic transmission              | L. ....Left                 |
| C.D.I. .... Capacitive discharge ignition    | MM .....Millimeter          |
| COMP. ... Complete                           | MT. ....Manual Transmission |
| D.C. .... Direct current                     | P.T.O. ....Power take off   |
| EX. .... Exhaust                             | R. ....Right                |
| G.F.C.I ... Ground fault circuit interruptor | RR. ....Rear                |
| HEX. .... Hexagonal                          | STD. ....Standard           |
| H.S.T. .... Hydrostatic transmission         | T (22T) ...Tooth (22 Teeth) |
|  | V ..... Volt                |
|  | W .....Watt                 |

How to check the part block and serial numbers





### Models, parts catalogue codes and applicable serial numbers

1

- Models, parts catalogue codes and applicable serial Nos. given in this parts catalogue can be identified as follows.

Model	Type	Parts catalogue type	Engine		Applicable engine serial No.	Applicable frame serial No.	Applicable carburetor identification No.
			Model	Type			
UMK435	UT3B	UT3B	GX35	GY3	GCACM-1100001~	HAGJ-2000001~	WYB 15A
	UT3D	UT3D		GY2			WYB 14A
	U3B	U3B		GY3			WYB 15A
	U3D	U3D		GY2			WYB 14A

\* Of carburetor identification numbers, only the portions underlined in the example below are used for registration.

WYB 15A

**Features of each type**

• See the following table for the features of each type.

Specifications		Model	UMK435			
		Type	UT3B	UT3D	U3B	U3D
Blade	Cutter		●	●	●	●
	Nylon line trimmer		●	●		

## Fuel hose, general purpose hoses and vinyl hose

1

- The standard part fuel hose, general purpose hose and vinyl hose may be substituted by the coiled bulk part.
- When ordering the standard part fuel hose, general purpose hose and vinyl hose use the bulk part number written in the parts catalog in brackets ( ) underneath the part name.
- When exchanging the hose, cut and use at the specified length as mentioned in the part name.  
(For the method of cutting the bulk part, and method of filling out orders etc., please refer to the instructions issued with the bulk part.)

### Bulk part number of fuel hose, general purpose hose and vinyl hose.

Example: 9 5 0 0 1 - 7 5 0 0 1 - 5 0 M

**Bulk part number:**  
Refers to the bulk part.

**Marking code (fuel hose and general purpose hose)**

**Change code (Vinyl hose)**

Indicates number mark or change sequence, however, the code for the bulk part must be strictly 0 (zero).

**Types of code:**

- Fuel hose
  - 2: Red outside braid (3 mm inside dia. only)
  - 5: Black inside braid
  - 3: Red (3 mm inside dia. only)
  - 4: Ash gray with red stripe (3 mm inside dia. only)
  - 6: Black
- General hose
  - 1: Ash gray
  - 2: Ash gray
  - 3: Black
  - 5: Black
- Vinyl hose
  - 1: Clear
  - 2: Black
  - 3: Light red
  - 6: Light red
  - 7: Pale black

**Lengths:**

- 001: 1 m (standard)
  - 003: 3 m
  - 008: 8 m
- Application or specification of some parts is not settled.

**I.D code: (fuel hose and general purpose hose)**

- 30: 3.0 mm
- 35: 3.5 mm
- 45: 4.5 mm
- 50: 5.0 mm
- 55: 5.3 mm, 5.5 mm
- 65: 6.5 mm
- 70: 7.0 mm
- 75: 7.3 mm, 7.5 mm
- 80: 8.0 mm
- 11: 11 mm
- 91: 12 (outside dia. 15) mm
- 92: 12 (outside dia. 16) mm
- 12: 12 (outside dia. 17) mm
- 14: 14 mm
- 17: 17 mm

**ID./OD. code: (vinyl hose)**

- 01: ID. 2.9, OD. 6.8 mm
- 03: ID. 3.0, OD. 6.0 mm
- 05: ID. 3.5, OD. 6.5 mm
- 07: ID. 4.0, OD. 7.0 mm
- 08: ID. 4.5, OD. 6.5 mm
- 09: ID. 4.5, OD. 8.0 mm
- 10: ID. 5.0, OD. 8.0 mm
- 11: ID. 5.0, OD. 9.0 mm
- 14: ID. 6.0, OD. 9.0 mm
- 17: ID. 7.0, OD. 9.0 mm
- 19: ID. 7.0, OD. 11.0 mm
- 21: ID. 8.0, OD. 9.0 mm
- 23: ID. 8.0, OD. 12.0 mm
- 25: ID. 9.0, OD. 11.0 mm
- 27: ID. 9.0, OD. 13.0 mm
- 33: ID. 10.0, OD. 14.0 mm
- 36: ID. 11.0, OD. 13.0 mm
- 37: ID. 11.0, OD. 15.0 mm
- 38: ID. 12.0, OD. 13.0 mm
- 39: ID. 12.0, OD. 14.0 mm
- 40: ID. 12.0, OD. 16.0 mm
- 43: ID. 13.0, OD. 15.0 mm
- 45: ID. 14.0, OD. 18.0 mm
- 50: ID. 16.0, OD. 19.0 mm
- 55: ID. 17.5, OD. 20.5 mm
- 60: ID. 22.0, OD. 27.0 mm

**Hose type:**

- 1: Fuel hose
- 3: Vinyl hose
- 5: General hose

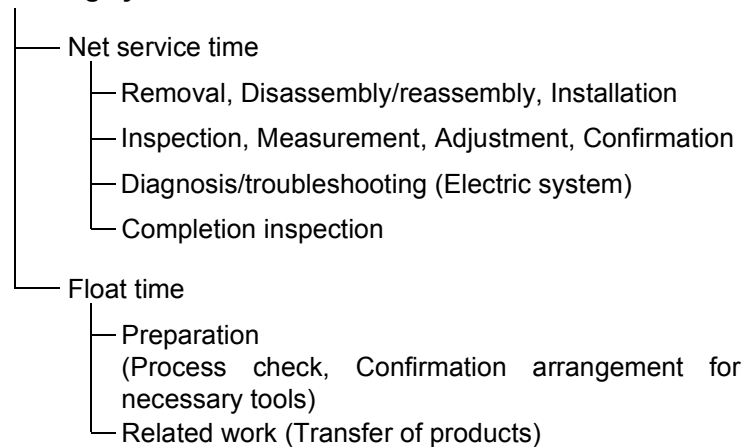
⊙ **CAUTION: It is DANGEROUS to confuse the fuel hose with the general purpose hose or vinyl hose.**

Never use a general purpose hose or vinyl hose in place of a fuel hose or vice versa. Always use the correct bulk part in the parts catalogue, according to the service manual or the instructions issued with the bulk part.

## FLAT RATE SERVICE TIME

Flat rate service time (FRT) means the standard time required to service a product, which is listed in this manual to help the dealers control the actual working process and calculate the service charge by using it as a guide.

### FRT setting system



\* Float time is set by multiplying the net service time by a given coefficient.

### Editorial style

The service items shown in the text are listed with the exchange work time for the repair sales parts as the subject. Other representative service items not using repair parts (removal/installation, adjustment, inspection/measuring, and other work) are listed collectively in the list in the preface, classified according to the work.

### FRT setting standard

- Decimal system (in unit of 0.1) is adopted to set FRT as it is convenient to calculate the wage.  
Example: (0.1) → 6 minutes, (0.2) → 12 minutes  
[Labor cost per hour] x [FRT] = [Wage]
- FRT is set with a hand tool.
- Service items and FRT can be subject to change depending on development of tools and service equipment and improvement in service procedure.

### Work procedure

- As the work procedure is set with the work time according to the method in the separate Service Manual, refer to this Manual as required.
- Work methods permitting servicing in the shortest time still permitting assurance of safe work and product warranty are used for the setting of service items not listed in the Service Manual.
- Work basically is to be performed by one person, and when two or more people are required, setting is done as the total time for the number of people.
- The set value for the technological level of the workers uses a person with three years of experience in the repair of Honda products as the standard.
- Special tools and service equipment used to set FRT are those specified or recommended in Service Manual.

### Service item whose FRT is not presented

- Accessories and service parts that are not listed to use in this manual.
  - Locations with little aging deterioration or breakage during normal use.
  - Service work that can be finished by one touch.
  - Service work that is seldom done (i.e. extremely small causes of trouble and service frequency).
  - Products and parts whose location for installation differs according to its status of use and application.
- \* When FRT is not presented, please calculate wages based on appropriate actual work time.

### Operation not included of FRT

- Oil and coolant water draining, Waiting time for warming up operation and etc..
- Additional operation that involves removal/installation of standard exterior equipment.
- Indirect time spent for service by visiting the customer, trade-in, and delivery.
- Indirect time required for ordering and delivery of parts.
- Cost for grease, adhesive agent, etc. used for service work.

**Explanation of FRT by using an example  
(The example may differ from the actual presented items)**

Ref. No.	L.O.N.	(Relative ref. Number) Description	F.R.T.
①	1111L1	(1, 3, 4, 7) VALVE, INTAKE ..... 4.1	②
③	1111L1A	• NOTE: OHV type • Includes: Engine removal and installation	⑦
		One head (intake all) add ..... 1.4	⑤

- ① Reference No. of the illustration of part that shows location of the replacement work.
- ② FRT is an abbreviation of Flat Rate Time indicating the standard service time required for the replacement.
- ③ LON is an abbreviation of Labor Operation Number, and it is a classification of the service items by the work unit code.

The same operation code is used regardless of the models.

Standard operation is indicated with 6 digits code, and additional operation is indicated with 7 digits code.

- ④ Indicating the intake valve replacement and FRT4.1.
- ⑤ Indicating FRT1.4 that will be added when additional operation (whole intake side of one cylinder head) is done in association with intake valve replacement.

- ⑥ Indicating work condition or application condition of the service item.
- ⑦ Indicating work contents that are included in the service item.
- ⑧ Indicating a reference No. whose operation and time are the same as FRT4.1 for the intake valve.

(The application range is limited to the service items without an LON setting within a same block.)

**How to refer to the service item by using the sample  
(intake valve replacement)**

Open to the page of the block where the intake valve's spare part illustration is shown.



Look for the intake valve illustration, and refer to the service item and FRT that agree with the reference No.

Indication mark for the listing of service items that continues to the following page

Ref. No.	L.O.N.	(Relative ref. Number) Description	F.R.T.
2	1111L1	VALVE, INTAKE .....	4.1
	.	.	.
	.	.	.

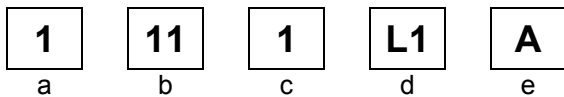
+

Mark indicated at the last line.

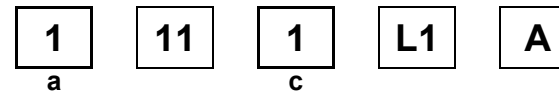
Indication of the block with no setting of FRT

Ref. No.	L.O.N.	(Relative ref. Number) Description	F.R.T.
<b>NO INFORMATION .....</b>			

• LON code system



- a) Category code..... Engine
- b) Location/function code ..... Engine upper
- c) Operation code..... Replace
- d) Operation sequence number (Unit code can be shown with alphabet)  
..... Intake valve  
(No regular rule of code)
- e) Additional code ..... One head (intake all)  
(No regular rule of code)



a) Category codes and classification

Code	Category
1	Engine
2	Power drive
3	Fuel & Exhaust
4	Frame & Body
5	Steering
6	Electrical
7	Axle & Brake
8	Control system
9	-
0	Attachments

c) Operation codes and classification

Code	Operation category
1	Replace, Removal/Installation, Change
2	Overhaul
3	Adjust, Rotation
4	(Paint-related work: Top-coat)
5	Test, Inspect/diagnose, Measurement
6	(Overhaul-related work: Rebore)
7	(Overhaul-related work: Reseal)
8	(Resurface)
9	(Paint-related work: Refinish)
0	Repair, Cleaning, Air bleeding

Major service items without using spare parts

(1) Removal/Installation, (2) Adjustment, (3) Inspection/Measurement, (4) Overhaul, (5) Other work

E: Engine, T: Transmission, D: Drive system, B: Body and related parts

### (1) Removal/Installation

Set with the parts configuration in the status of being removed from the product.

	LON	DESCRIPTION	FRT
E	1001A2	ENGINE-REMOVAL/INSTALLATION	0.2

### (2) Adjustment

	LON	DESCRIPTION	FRT
E	1113A1	VALVE CLEARANCE-ADJUSTMENT NOTE: For 1 product	0.4
	3113A2	CARBURETOR IDLE-ADJUSTMENT	0.2
	8113B1	THROTTLE CABLE-ADJUSTMENT	0.1

### (3) Inspection, Measurement, Cleaning

	LON	DESCRIPTION	FRT
E	1105A0	ENGINE OIL-INSPECTION	0.1
	3120A0	AIR CLEANER-CLEANING INCLUDES: Air cleaner-inspection	0.2
	6140A0	SPARK PLUG-CLEANING INCLUDES: Spark plug gap-adjustment NOTE: For 1 product	0.2
	6145A0	SPARK-TEST NOTE: All cylinders	0.2

### (4) Overhaul

Work condition: The required Measurements, inspections, adjustments, and cleaning/washing of each part are performed, including the main body removal/installation work and the replacement of defective parts.

	LON	DESCRIPTION	FRT
E	3112A0	CARBURETOR-OVERHAUL INCLUDES: All necessary adjustment	0.4

### (5) Other work

	LON	DESCRIPTION	FRT
E	1101E1	ENGINE OIL-CHANGE INCLUDES: Engine oil-inspection	0.1



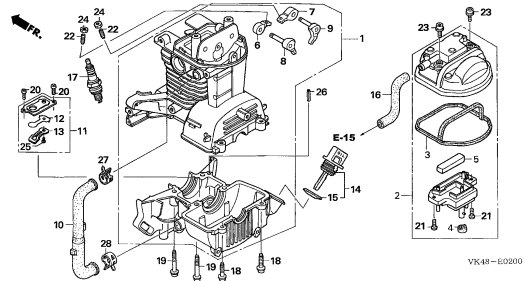
# ENGINE GROUP

**B14**

**E-2**

**CRANKCASE SET**

**C 1**

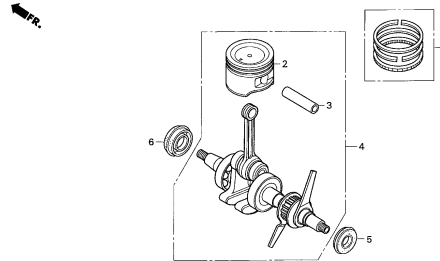


VK48-E0200

**E-7**

**CRANKSHAFT/PISTON**

**C 3**

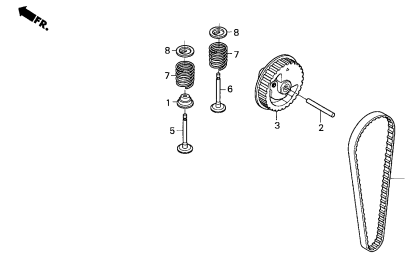


VK48-E0700

**E-10**

**CAM PULLEY**

**C 4**

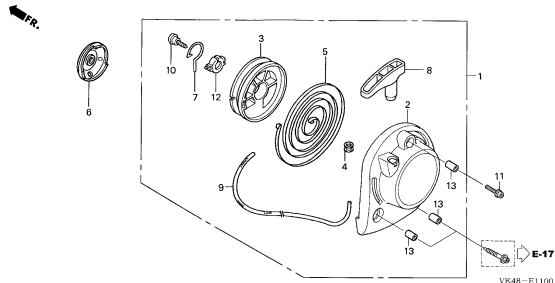


VK48-E1000

**E-11**

**RECOIL STARTER**

**C 6**

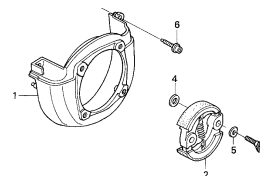


VK48-E1100

**E-12**

**FAN COVER/CLUTCH**

**C 7**

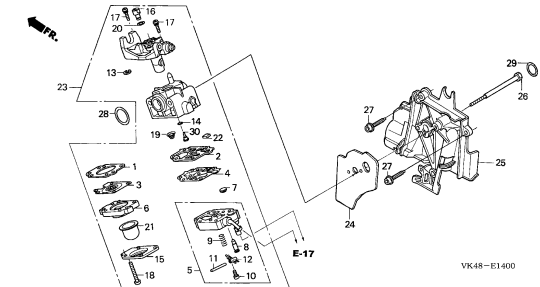


VK48-E1200

**E-14**

**CARBURETOR**

**C 8**

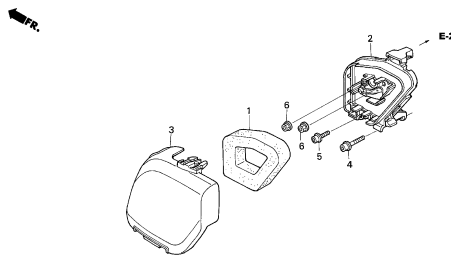


VK48-E1400

**E-15**

**AIR CLEANER**

**C10**

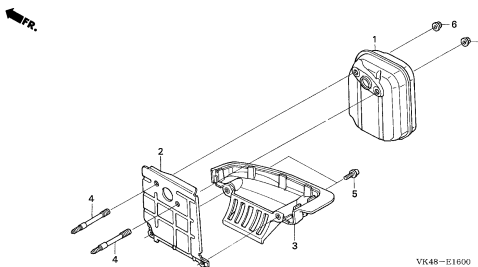


VK48-E1500

**E-16**

**MUFFLER**

**C11**

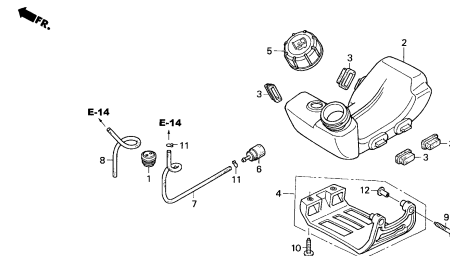


VK48-E1600

**E-17**

**FUEL TANK**

**C12**



VK48-E1700

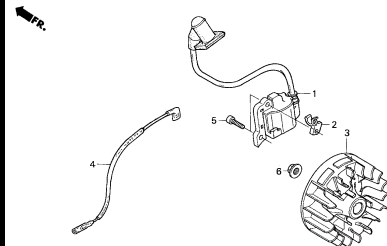
# ENGINE GROUP

**B15**

**E-19**

FLYWHEEL

**C13**

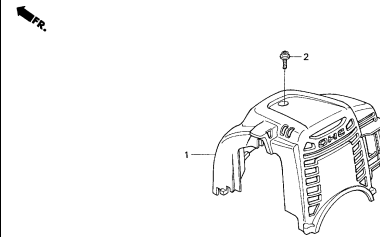


VK48-E1900

**E-27**

TOP COVER

**C14**

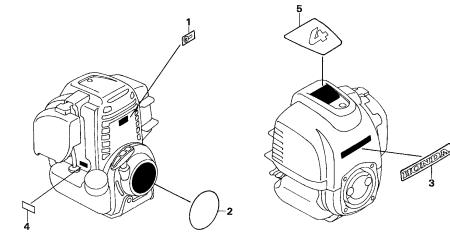


VK48-E2700

**E-28**

LABEL

**C15**



VK48-E2800

**2**

# FRAME GROUP

**B16**

**F-1** **D 1**

HANDLE PIPE/THROTTLE LEVER

VK48-F0100

**F-2** **D 2**

GEAR CASE

VK48-F0200

**F-3** **D 3**

FRAME PIPE

VK48-F0300

**F-4** **D 4**

BLADE(NYLON/CUTTER BLADE)

VK48-F0400

**F-28** **D 5**

LABEL

VK48-F2800

**F-29** **D 6**

TOOL

VK48-F2900

**F-40** **D 7**

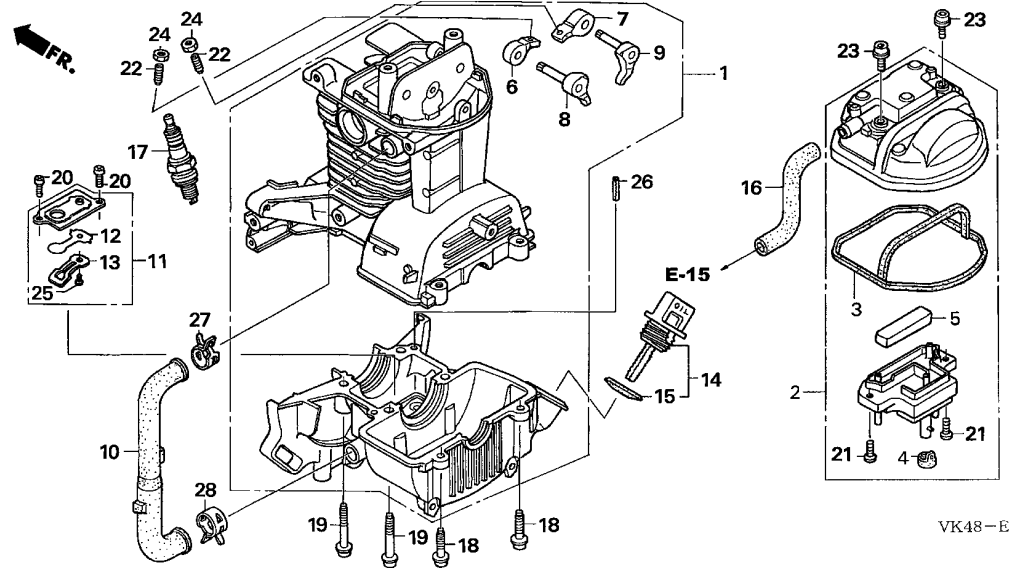
SHOULDER BELT/BARRIER KIT

VK48-F4000

**3**

E-2

CRANKCASE SET



VK48-E0200

Ref. No.	L.O.N.	(Relative ref. Number) Description	F.R.T.
1	1101B7	CRANKCASE ..... .INCLUDES: Engine removal and installation	1.7
2	1111D5	COVER, CYLINDER HEAD AND/OR PACKING, HEAD COVER .....	0.1
6	1111A2	ARM, ROCKER :INTAKE ..... .INCLUDES: Valve clearance adjustment	0.6
	1111A2A	.With exhaust rocker arm add ..	0.2
7	1111A1	ARM, ROCKER :EXHAUST ..... .INCLUDES: Valve clearance adjustment	0.6
	1111A1A	.With intake rocker arm add ..	0.2
8	1111L9	LIFTER, VALVE :INTAKE ..... .INCLUDES: Valve clearance adjustment	0.6
	1111L9C	.With exhaust valve lifter add ..	0.2
9	1111M0	LIFTER, VALVE :EXHAUST ..... .INCLUDES: Valve clearance adjustment	0.6
	1111M0C	.With intake valve lifter add ..	0.2
10	1171A4	TUBE, OIL ..... .INCLUDES: Engine removal and installation	0.4

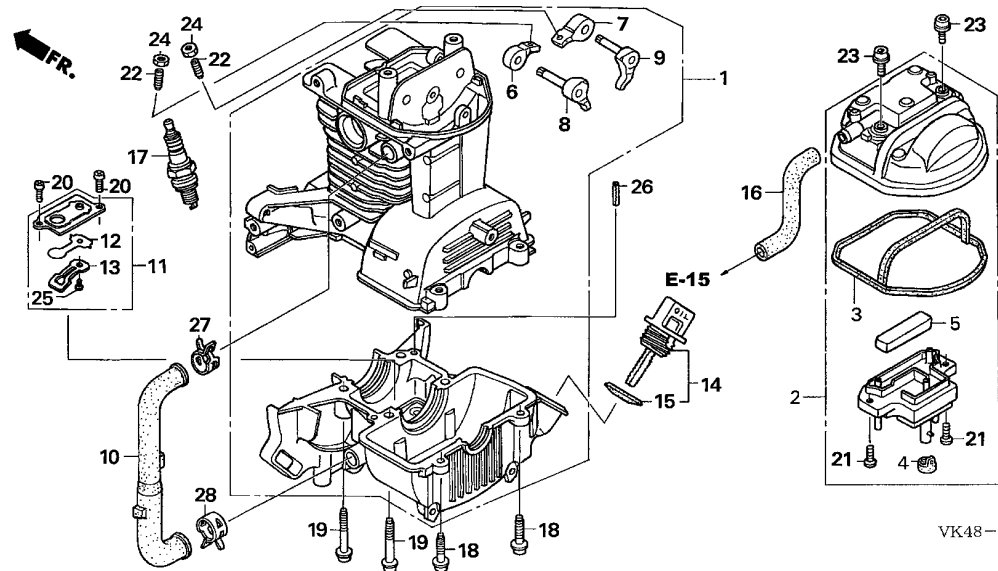
Ref. No.	Part No.	Description	Reqd. QTY	Serial No.	Parts catalogue code
			UMK 435		
1	10100-Z0Z-405	CRANKCASE SET .....	1		
2	12310-Z0Z-000	COVER, CYLINDER HEAD .....	1		
3	12312-Z0Z-300	SEAL, HEAD COVER .....	1		
4	12314-Z0H-300	GROMMET, HEAD COVER .....	1		
5	12367-Z0H-000	FILTER, BREATHER .....	1		
6	14431-Z0H-003	ARM, IN. VALVE ROCKER .....	1		
7	14441-Z0H-003	ARM, EX. VALVE ROCKER .....	1		
8	14730-Z0Z-000	LIFTER COMP., IN. VALVE .....	1		
9	14740-Z0Z-000	LIFTER COMP., EX. VALVE .....	1		
10	15422-Z0Z-000	TUBE, OIL .....	1		
11	15510-Z0H-000	PLATE ASSY., OIL OUTLET VALVE .....	1		
12	15571-ZM3-003	VALVE, OIL OUTLET .....	1		
13	15572-Z0H-000	PLATE, STOPPER .....	1		
14	15600-ZM3-003	CAP ASSY., OIL FILLER .....	1		
15	15625-ZE1-003	PACKING, OIL FILLER CAP .....	1		
16	15721-Z0Z-000	TUBE, BREATHER .....	1		
17	31914-Z0H-003	PLUG, SPARK (CMR4H)(NGK) .....	(1)		
	31915-Z0H-003	PLUG, SPARK (CMR5H)(NGK) .....	1		
	31916-Z0H-003	PLUG, SPARK (CMR6H)(NGK) .....	(1)		
18	90009-Z0H-003	BOLT, SOCKET, 5X20 .....	2		
19	90010-Z0Z-003	BOLT, SOCKET, 5X32 .....	4		
20	90013-Z0H-004	SCREW, PAN, 4X8 .....	2		
21	90013-Z0Z-003	SCREW, PAN, 4X8 .....	2		
22	90017-Z0H-000	SCREW, TAPPET ADJUSTING .....	2		
23	90019-Z0H-003	BOLT, SOCKET, 5X12 .....	2		



E-2

CRANKCASE SET

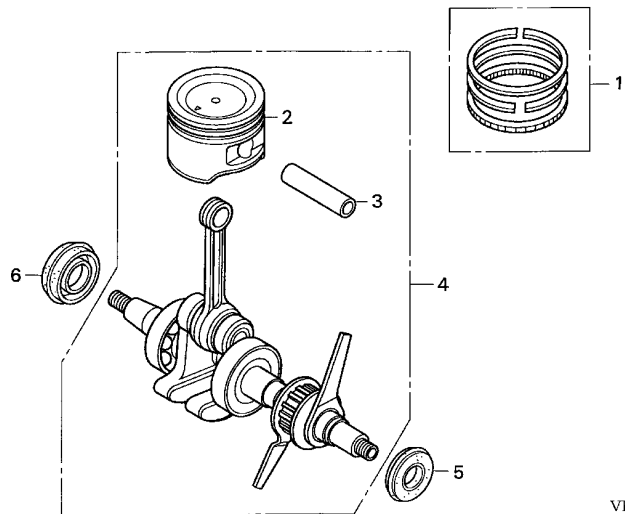
C 2



VK48-E0200

Ref. No.	L.O.N.	(Relative ref. Number) Description	F.R.T.
11	1171A2	PLATE, OIL OUTLET VALVE ..... .INCLUDES: Engine removal and installation	1.3
16	1111K5	TUBE, BREATHER .....	0.1
17	6141C1	PLUG, SPARK .....	0.1
		.INCLUDES: Spark plug check	

Ref. No.	Part No.	Description	Reqd. QTY	Serial No.	Parts catalogue code
			UMK 435		
24	90206-ZM3-000	NUT, TAPPET ADJUSTING .....	2		
25	93500-03005-0A	SCREW, PAN, 3X5 .....	1		
26	94305-40102	PIN, SPRING, 4X10 .....	1		
27	95002-41200-08	CLAMP, TUBE (D12) .....	1		
28	95002-41300-04	CLAMP, TUBE (D13) .....	1		

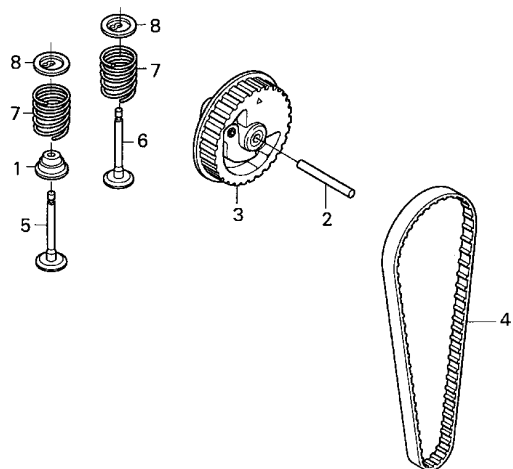


VK48-E0700

Ref. No.	L.O.N.	(Relative ref. Number) Description	F.R.T.
1	(2,3)		
1111J4		RING SET, PISTON .....	1.5
		.INCLUDES: Engine removal and installation	
1111J4F		.Replace 1 piston and/or pin and/or rod, connecting and/or bearing add .....	0.1
4	1101F0	CRANKSHAFT .....	1.4
		.INCLUDES: Engine removal and installation	
5	1101E5	OIL SEAL, CRANKSHAFT :REAR ...	1.4
		.INCLUDES: Engine removal and installation	
6	1101E4	OIL SEAL, CRANKSHAFT :FRONT ..	1.4
		.INCLUDES: Engine removal and installation	

Ref. No.	Part No.	Description	Reqd. QTY	Serial No.	Parts catalogue code
			UMK 435		
1	13010-ZM5-000	RING SET, PISTON .....	1		
2	13101-Z0Z-000	PISTON .....	1		
3	13111-ZM5-000	PIN, PISTON .....	1		
4	13310-Z0Z-000	CRANKSHAFT COMP. ....	1		
5	91212-Z0H-003	OIL SEAL, 10X20X5 .....	1		
6	91214-ZM3-003	OIL SEAL, 15X25X6 .....	1		

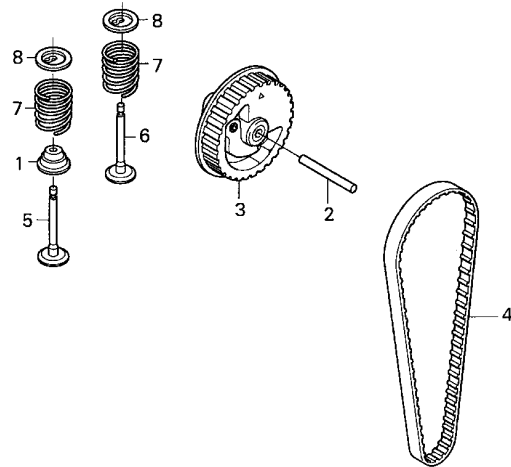




VK48-E1000

Ref. No.	L.O.N.	(Relative ref. Number) Description	F.R.T.
1	1111K2	SEAL, INTAKE VALVE STEM ..... .INCLUDES: Engine removal and installation .INCLUDES: Valve clearance adjustment	1.5
3	1111N5	PULLEY, CAMSHAFT ..... .INCLUDES: Engine removal and installation	0.6
4	1111N6	BELT, TIMING ..... .INCLUDES: Engine removal and installation	1.4
5	1111L1	VALVE, INTAKE ..... .INCLUDES: Engine removal and installation .INCLUDES: Valve clearance adjustment and reface	1.5
	1111L1E	.With intake and exhaust all add .....	0.1
6	1111L0	VALVE, EXHAUST ..... .INCLUDES: Engine removal and installation .INCLUDES: Valve clearance adjustment and reface	1.5
	1111L0E	.With intake and exhaust all add .....	0.1

Ref. No.	Part No.	Description	Reqd. QTY	Serial No.	Parts catalogue code
			UMK 435		
1	12209-ZOH-003	SEAL, VALVE STEM .....	1		
2	14126-ZOZ-003	ROLLER, 4X31.8 .....	1		
3	14320-ZOZ-000	PULLEY COMP., CAMSHAFT .....	1		
4	14400-ZOZ-003	BELT, TIMING (76ZU7 G-300) ..	1		
5	14711-ZOZ-000	VALVE, IN. ....	1		
6	14721-ZOZ-000	VALVE, EX. ....	1		
7	14751-ZOZ-000	SPRING, VALVE .....	2		
8	14771-ZOH-000	RETAINER, VALVE SPRING .....	2		



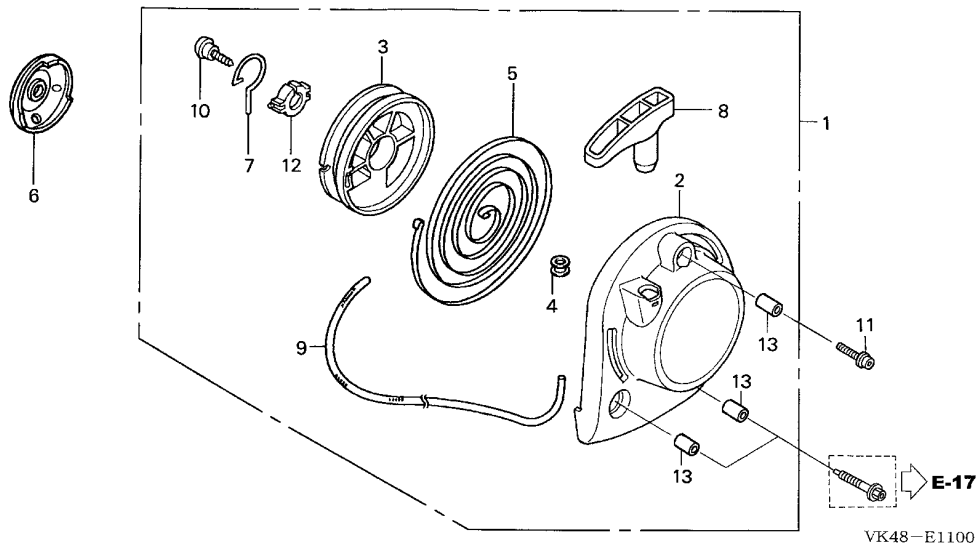
VK48-E1000

Ref. No.	L.O.N.	(Relative ref. Number) Description	F.R.T.
7	1111P3	SPRING, VALVE :INTAKE ..... .INCLUDES: Valve clearance adjustment .INCLUDES: Engine removal and installation	1.5
	1111P3D	.With intake and exhaust all add .....	0.1
	1111P4	SPRING, VALVE :EXHAUST ..... .INCLUDES: Valve clearance adjustment .INCLUDES: Engine removal and installation	1.5
	1111P4D	.With intake and exhaust all add .....	0.1



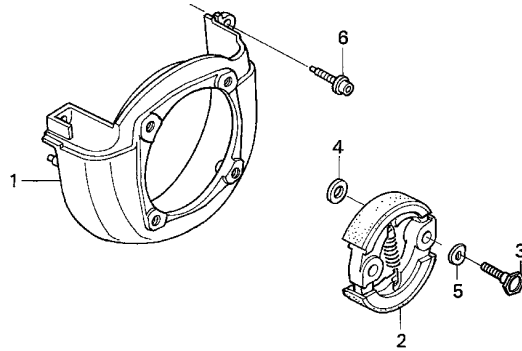


FR.



Ref. No.	L.O.N.	(Relative ref. Number) Description	F.R.T.
1	1121B9	STARTER, RECOIL .....	0.2
3	1121B1	REEL, RECOIL STARTER .....	0.3
5	1121B7	SPRING, RECOIL STARTER RETURN .....	0.3
6	1121A9	PULLEY, RECOIL STARTER .....	0.5
.INCLUDES: Engine removal and installation			
9	1121B3	ROPE, RECOIL STARTER .....	0.3

Ref. No.	Part No.	Description	Reqd. QTY	Serial No.	Parts catalogue code
			UMK 435		
1	28400-Z0Z-003	STARTER ASSY., RECOIL .....	1		
2	28414-Z0Z-000	CASE, RECOIL STARTER .....	1		
3	28421-ZM3-003	REEL, RECOIL STARTER .....	1		
4	28433-ZM3-003	GUIDE, ROPE .....	1		
5	28442-ZM3-003	SPRING, RECOIL STARTER .....	1		
6	28451-Z0H-003	PULLEY, RECOIL STARTER .....	1		
7	28459-Z0H-003	ARM, SWING .....	1		
8	28461-ZM3-003	KNOB, RECOIL STARTER .....	1		
9	28462-ZM3-003	ROPE, RECOIL STARTER .....	1		
10	90012-ZM3-003	SCREW, SETTING .....	1		
11	90018-Z0H-003	BOLT, SOCKET, 5X16 .....	1		
12	91504-ZM3-003	COLLAR .....	1		
13	91506-ZM3-000	COLLAR A, HEAD COVER .....	3		



VK48-E1200



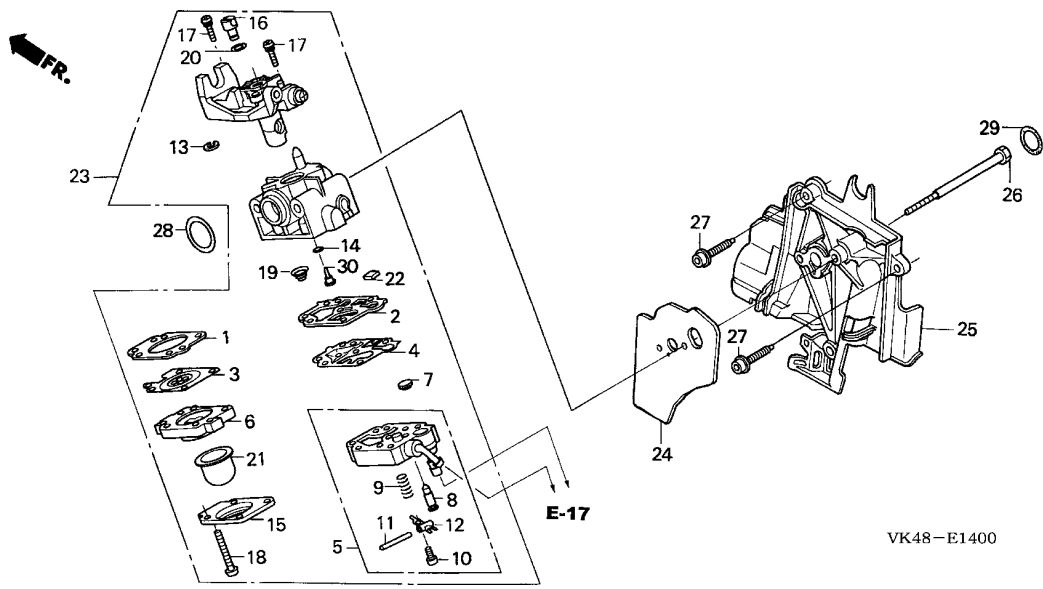
Ref. No.	L.O.N.	(Relative ref. Number) Description	F.R.T.
1	1141G8	COVER, ENGINE COOLING FAN ---- .INCLUDES: Engine removal and installation	0.3
2	1161A4	CLUTCH, GOVERNOR ----- .INCLUDES: Engine removal and installation	0.5

Ref. No.	Part No.	Description	Reqd. QTY		Serial No.	Parts catalogue code
			UMK	435		
1	19611-Z0Z-000	COVER, FAN .....	1			
2	22000-Z0Z-003	CLUTCH ASSY. ....	1			
3	22253-Z0Z-003	BOLT, CLUTCH (8MM) .....	2			
4	22254-ZM5-003	WASHER, CLUTCH (8X17) .....	2			
5	22254-Z0Z-003	WASHER, WAVE (8MM) .....	2			
6	90009-Z0H-003	BOLT, SOCKET, 5X20 .....	3			

E-14

CARBURETOR

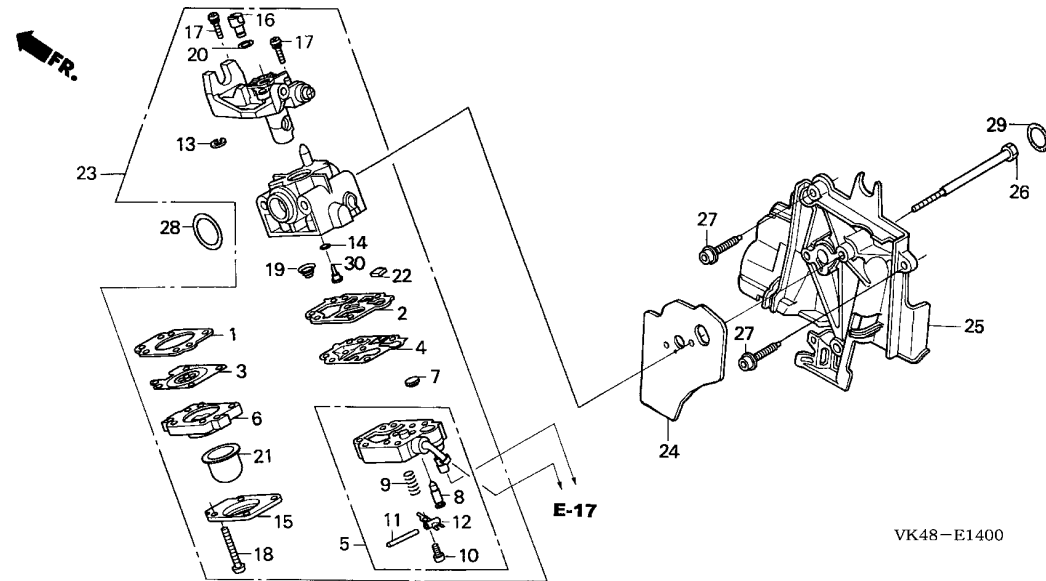
C 8



Ref. No.	L.O.N.	(Relative ref. Number) Description	F.R.T.
2	3111B7	GASKET, CARBURETOR PUMP .....	0.4
5	3111A0	BODY ASSEMBLY, PUMP .....	0.4
8	3111E3	VALVE, INLET NEEDLE .....	0.4
21	3111D5	PUMP, PRIMER .....	0.2
23	3111F3	CARBURETOR .....	0.2
25	4141E3	SHROUD, ENGINE .....	0.2
30	3111C1	JET .....	0.4

VK48-E1400

Ref. No.	Part No.	Description	Reqd. QTY	Serial No.	Parts catalogue code
			UMK 435		
1	16010-ZM3-004	GASKET, METERING DIAPHRAGM ..	1		
2	16011-ZOH-003	GASKET, PUMP .....	1		
3	16013-ZOH-003	DIAPHRAGM ASSY., METERING ...	1		
4	16014-ZM3-004	DIAPHRAGM, PUMP .....	1		
5	16015-ZOH-003	BODY ASSY., PUMP .....	1		
6	16017-ZM3-004	BODY ASSY., AIR PURGE .....	1		
7	16018-ZM3-802	SCREEN, INLET .....	1		
8	16019-ZM3-004	VALVE, INLET NEEDLE .....	1		
9	16020-ZM3-004	SPRING, METERING LEVER .....	1		
10	16021-ZM3-004	SCREW, METERING LEVER PIN ...	1		
11	16022-ZM3-014	PIN, METERING LEVER .....	1		
12	16023-ZM3-004	LEVER, METERING .....	1		
13	16024-ZOH-003	RING, RETAINING .....	1		
14	16025-ZM3-004	O-RING .....	1		
15	16026-ZM3-004	COVER, PRIMER PUMP .....	1		
16	16027-ZM3-004	SWIVEL .....	1		
17	16028-ZM3-004	SCREW, THROTTLE COLLAR .....	2		
18	16029-ZM3-004	SCREW, PUMP COVER .....	4		
19	16030-ZM3-004	SPRING, PUMP .....	1		
20	16031-ZM3-004	WASHER .....	1		
21	16032-ZM3-004	PUMP, PRIMER .....	1		
22	16035-ZM3-802	FILTER, FUEL INLET .....	1		
23	16100-ZOZ-803	CARBURETOR ASSY. (WYB 15A) ..	1	----- UT3B,U3B	
	16100-ZOZ-813	CARBURETOR ASSY. (WYB 14A) ..	1	----- UT3D,U3D	
24	16221-ZOZ-000	PACKING, CARBURETOR .....	1		



Ref. No.	Part No.	Description	Reqd. QTY		Serial No.	Parts catalogue code
			UMK	435		
25	19631-Z0Z-000	SHROUD .....	1			
26	90014-Z0H-003	BOLT, 5X53 .....	2			
27	90018-Z0H-003	BOLT, SOCKET, 5X16 .....	2			
28	91301-ZM3-000	O-RING, 14.8X2.4 .....	1			
29	91308-Z0H-003	O-RING, 12.3X2.4 .....	1			
30	99101-ZM5-0350	JET (#35) .....	(1)		----- UT3D,U3D	
	99101-Z0Z-0360	JET (#36) .....	(1)		----- UT3D,U3D	
	99101-Z0Z-0370	JET (#37) .....	1		----- UT3B,U3B	
	99101-Z0Z-0380	JET (#38) .....	1		----- UT3B,U3B	

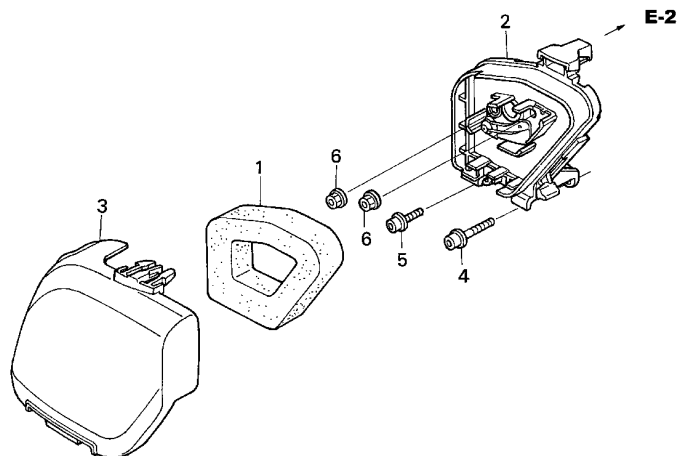


E-15

AIR CLEANER

C10

FR.



VK48-E1500

Ref. No.	L.O.N.	(Relative ref. Number) Description	F.R.T.
1	3121B8	ELEMENT, AIR CLEANER .....	0.1
2	3121A5	CASE, AIR CLEANER .....	0.1
3	3121B1	COVER, AIR CLEANER .....	0.1

Ref. No.	Part No.	Description	Reqd. QTY	Serial No.	Parts catalogue code
			UMK 435		
1	17211-Z0Z-000	ELEMENT, AIR CLEANER .....	1		
2	17220-Z0Z-000	CASE COMP., AIR CLEANER .....	1		
3	17231-Z0Z-000	COVER, AIR CLEANER .....	1		
4	90009-Z0Z-003	BOLT, SOCKET, 5X25 .....	1		
5	90018-Z0H-003	BOLT, SOCKET, 5X16 .....	1		
6	94050-05000	NUT, FLANGE, 5MM .....	2		

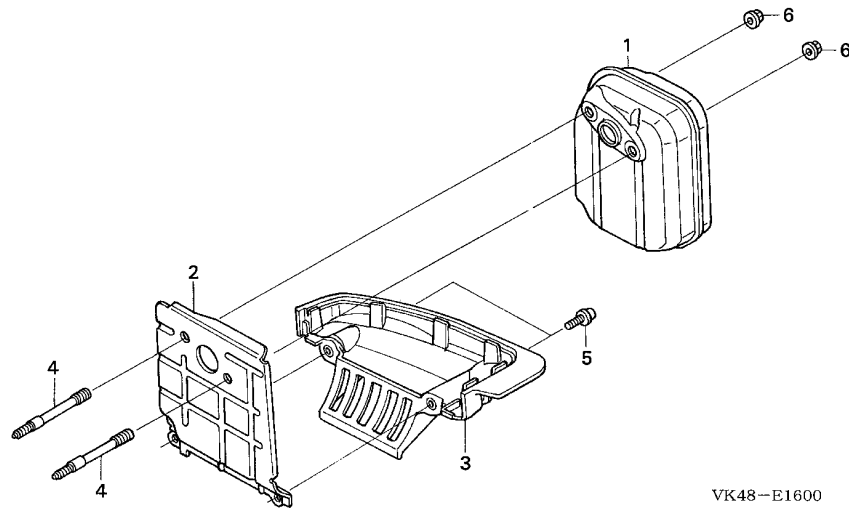
2

E-16

MUFFLER

C11

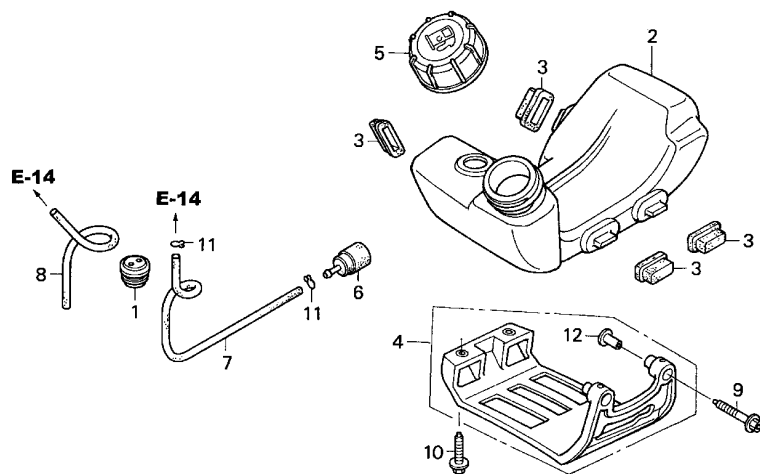
FR.



Ref. No.	L.O.N.	(Relative ref. Number) Description	F.R.T.
1	3131C5	MUFFLER, EXHAUST .....	0.1
2	3131B6	GUIDE, AIR EXHAUST .....	0.1
3	3131G8	GUIDE, AIR EXHAUST :UNDER ....	0.1

Ref. No.	Part No.	Description	Reqd. QTY	Serial No.	Parts catalogue code
			UMK 435		
1	18310-Z0Z-010	MUFFLER COMP. ....	1		
2	18515-Z0Z-300	GUIDE, AIR .....	1		
3	18518-Z0Z-000	GUIDE COMP., UNDER AIR .....	1		
4	90001-Z0Z-003	BOLT, STUD, 2.5X45.5 .....	2		
5	90018-Z0H-003	BOLT, SOCKET, 5X16 .....	2		
6	90136-SM4-901	NUT, SELF-LOCK, 5MM .....	2		

2

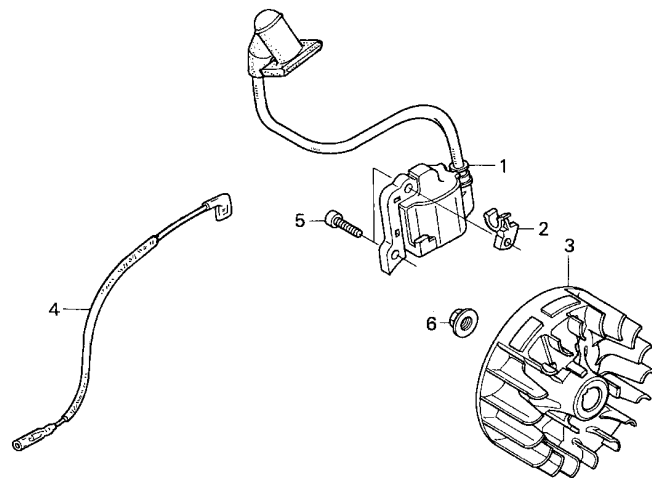


VK48-E1700

Ref. No.	L.O.N.	(Relative ref. Number) Description	F.R.T.
2	3101H7	TANK, FUEL .....	0.2
6	3101A6	FILTER, FUEL .....	0.2
7	3101F1	TUBE, FUEL TANK .....	0.2
8	3101L8	TUBE, FUEL RETURN .....	0.2

Ref. No.	Part No.	Description	Reqd. QTY	Serial No.	Parts catalogue code
			UMK 435		
1	17504-ZM3-003	GROMMET, FUEL TUBE .....	1		
2	17511-ZOZ-013	TANK, FUEL .....	1		
3	17533-ZOH-000	RUBBER, TANK MOUNTING .....	4		
4	17555-ZOZ-000	GUARD, TANK .....	1		
5	17620-ZM3-816	CAP ASSY., FUEL TANK .....	1		
6	17672-ZOH-003	FILTER, FUEL .....	1		
7	17701-ZOZ-000	TUBE, FUEL TANK .....	1		
8	17702-ZOZ-J31	TUBE, FUEL RETURN .....	1	----- UT3B,U3B	
	17702-ZOZ-000	.....	1	----- UT3D,U3D	
9	90010-ZOH-003	BOLT, SOCKET, 5X30 .....	2		
10	90018-ZOH-003	BOLT, SOCKET, 5X16 .....	2		
11	91401-ZM3-003	CLIP, TUBE .....	2		
12	91501-ZOH-000	COLLAR, TANK GUARD .....	2		

FR.



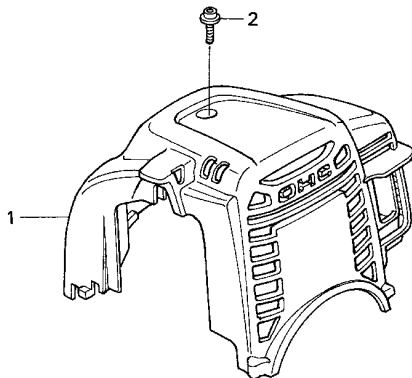
VK48-E1900

Ref. No.	L.O.N.	(Relative ref. Number) Description	F.R.T.
1	6141A5	COIL, IGNITION .....	0.2
3	2161B5	FLYWHEEL .....	0.6
		.INCLUDES: Engine removal and installation	
4	6111B3	CORD, STOP SWITCH .....	0.1

Ref. No.	Part No.	Description	Reqd. QTY	Serial No.	Parts catalogue code
			UMK 435		
1	30500-Z0Z-013	COIL ASSY., IGNITION .....	1		
2	30522-Z0Z-000	CLIP, HIGH TENSION CORD .....	1		
3	31110-Z0Z-003	FLYWHEEL COMP. ....	1		
4	32195-Z0Z-J00	CORD, STOP SWITCH .....	1		
5	90012-Z0H-005	BOLT, SOCKET, 4X14 .....	2		
6	94050-08000	NUT, FLANGE, 8MM .....	1		



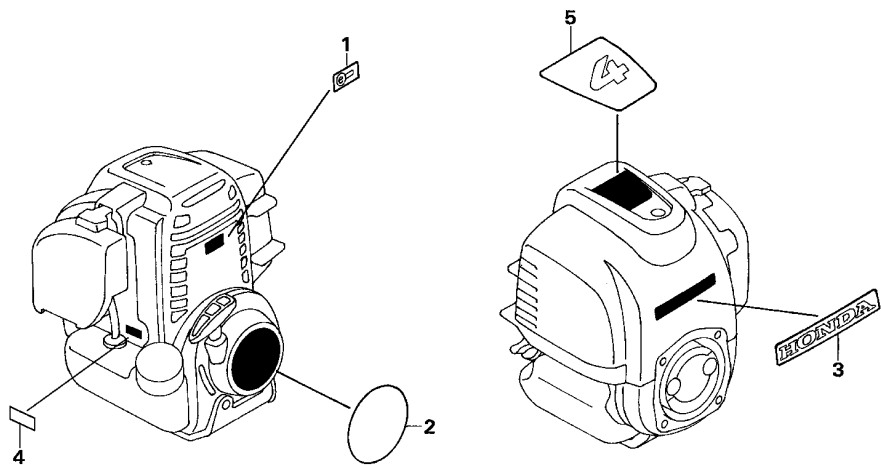




VK48-E2700

Ref. No.	L.O.N. (Relative ref. Number)	Description	F.R.T.
1	1111D6	COVER, ENGINE TOP .....	0.1

Ref. No.	Part No.	Description	Reqd. QTY	Serial No.	Parts catalogue code
			UMK 435		
1	19720-Z0Z-000ZA	COVER COMP., TOP			
		*R280*.....POWER RED	1		
2	90015-Z0H-003	BOLT, TOP COVER .....	1		



VK48-E2800

Ref. L.O.N. (Relative ref. Number) F.R.T.  
No. Description

NO INFORMATION .....

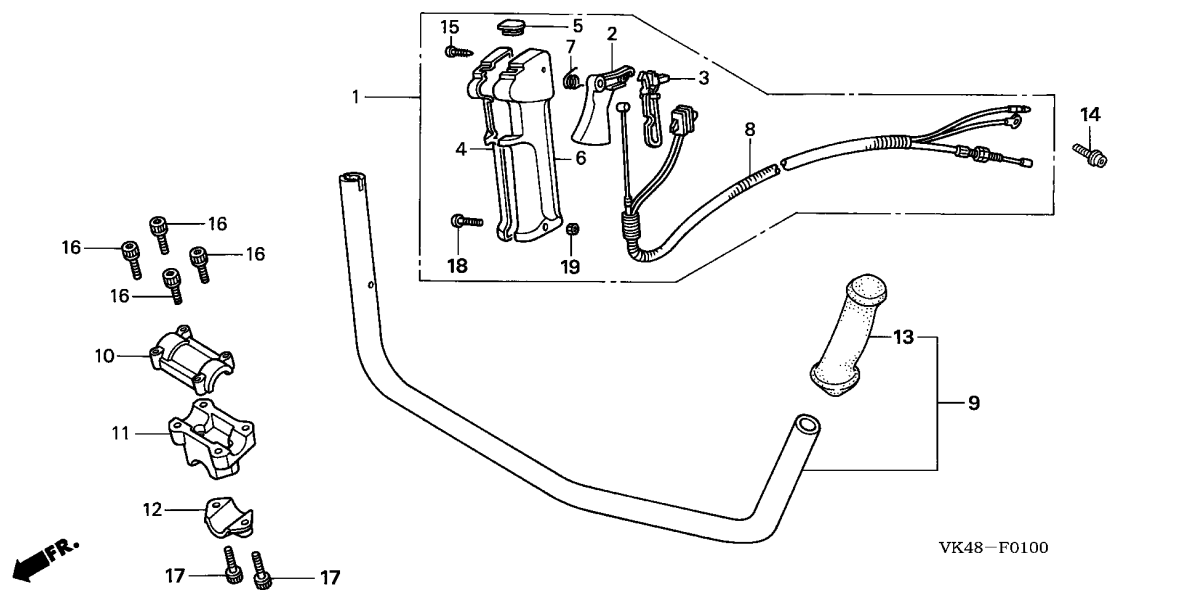
Ref. No.	Part No.	Description	Reqd. QTY	Serial No.	Parts catalogue code
			UMK 435		
1	87135-ZE2-020	LABEL, E-SPEC (15.5X27.5) ...	1		
2	87521-Z0Z-000	MARK, EMBLEM .....	1		
3	87531-Z0Z-000	MARK, HONDA .....	1		
4	87601-Z0H-J30	MARK, TYPE (GY2) .....	1	----- UT3D,U3D	
	87601-Z0H-J40	MARK, TYPE (GY3) .....	1	----- UT3B,U3B	
5	87660-Z0Z-J00	MARK (4-STROKE) .....	1		



F-1

HANDLE PIPE/THROTTLE LEVER

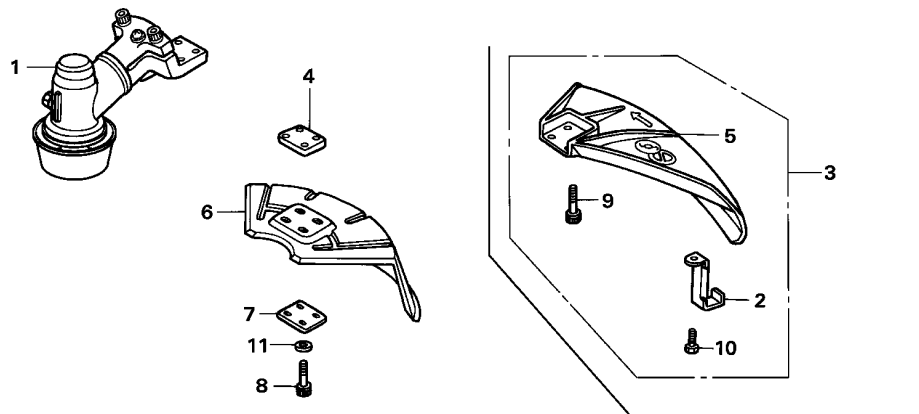
D 1



Ref. No.	L.O.N.	(Relative ref. Number) Description	F.R.T.
1	8101N3	LEVER ASSEMBLY, THROTTLE .....	0.2
2	8101H1	LEVER, THROTTLE .....	0.3
3	8101N8	LEVER, THROTTLE LOCK .....	0.3
8	6111G4	HARNES, THROTTLE WIRE .....	0.3
9	8101J5	PIPE, HANDLE .....	0.2
10	8101V9	HOLDER A, HANDLE .....	0.1
11	8101W0	HOLDER B, HANDLE .....	0.1
12	8101W1	HOLDER C, HANDLE .....	0.1
13	4131E0	GRIP, HANDLE :LEFT .....	0.1
	4131E1	GRIP, HANDLE :RIGHT .....	0.1

Ref. No.	Part No.	Description	Reqd. QTY	Serial No.	Parts catalogue code
			UMK 435		
1	17850-VK4-M01	LEVER ASSY., THROTTLE(U) ....	1		
2	17851-VH8-761	LEVER, THROTTLE (YELLOW) ....	1		
3	17852-VH8-641	LEVER, THROTTLE LOCK (YELLOW) 1	1		
4	17853-VF9-V31	GRIP, R. THROTTLE LEVER .....	1		
5	17854-VF9-V31	CAP, THROTTLE LEVER .....	1		
6	17856-VF9-V31	GRIP, L. THROTTLE LEVER .....	1		
7	17859-VF9-V31	SPRING, THROTTLE LEVER .....	1		
8	32100-VF9-V31	HARNES ASSY., WIRE .....	1		
9	53110-VK4-M00	PIPE ASSY., HANDLE .....	1		
10	53136-VF9-A01	HOLDER A, HANDLE .....	1		
11	53137-VF9-A01	HOLDER B, HANDLE .....	1		
12	53138-VF9-A01	HOLDER C, HANDLE .....	1		
13	53166-VF9-660	GRIP, L. HANDLE .....	1		
14	90011-Z0H-811	BOLT, SOCKET, 5X9 .....	1		
15	90101-VF9-V31	SCREW, TAPPING, 4X20 .....	2		
16	90101-VK4-M01	BOLT, SOCKET, 6X25 .....	4		
17	90102-VK4-M01	BOLT, SOCKET, 6X30 .....	2		
18	93500-05030-0G	SCREW, PAN, 5X30 .....	1		
19	94002-05070-0S	NUT, HEX., 5MM .....	1		

3



VK48-F0200

Ref. No.	L.O.N.	(Relative ref. Number) Description	F.R.T.
1	2161B1	CASE, CUTTER BLADE GEAR .....	0.2
6	(3,5)		
	4151B8	DEFLECTOR, GRASS .....	0.1

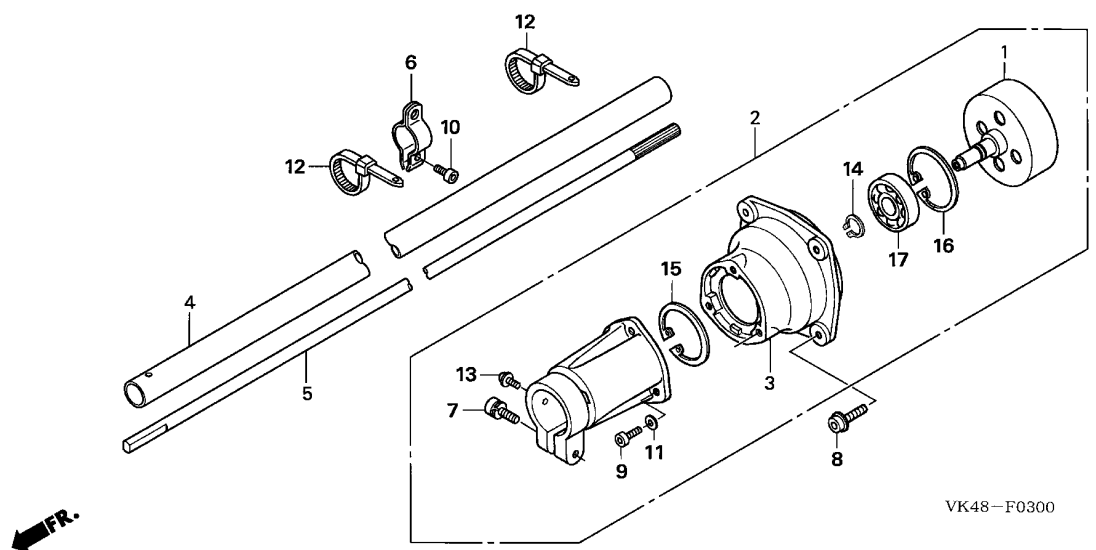
Ref. No.	Part No.	Description	Reqd. QTY	Serial No.	Parts catalogue code
			UMK 435		
1	41100-VK4-M01	CASE COMP., GEAR .....	1		
2	72571-VF9-K01	PLATE, NYLON CUTTING .....	1	-----	UT3B,UT3D
3	76240-VF9-K01	DEFLECTOR ASSY., GRASS .....	1	-----	UT3B,UT3D
4	76242-VF9-V30	SPACER, DEFLECTOR .....	1		
5	76247-VF9-J01	DEFLECTOR, GRASS .....	1	-----	UT3B,UT3D
6	76247-VF9-L01	DEFLECTOR, GRASS .....	1		
7	76259-VF9-J01	PLATE, DEFLECTOR .....	1		
8	90101-VJ3-681	BOLT, SOCKET, 5X20 .....	4		
9	90112-VF9-J01	BOLT, SOCKET, 5X15 .....	1	-----	UT3B,UT3D
10	94101-05000	WASHER, PLAIN, 5MM .....	4		
11	90109-VF9-J00	BOLT, SOCKET, 5X30 .....	4	-----	UT3B,UT3D



F-3

FRAME PIPE

D 3



Ref. No.	L.O.N.	(Relative ref. Number) Description	F.R.T.
1	2121C0	OUTER, CLUTCH ..... .INCLUDES: Engine removal and installation	0.4
2	2121E8	HOUSING ASSEMBLY, CLUTCH ..... .INCLUDES: Engine removal and installation	0.3
3	2121B6	HOUSING, CLUTCH ..... .INCLUDES: Engine removal and installation	0.5
4	4101M4	PIPE, FRAME ..... .INCLUDES: Engine removal and installation	0.7
5	2131J5	SHAFT, DRIVE ..... .INCLUDES: Engine removal and installation	0.2
17	2121E7	BEARING, CLUTCH OUTER ..... .INCLUDES: Engine removal and installation	0.5

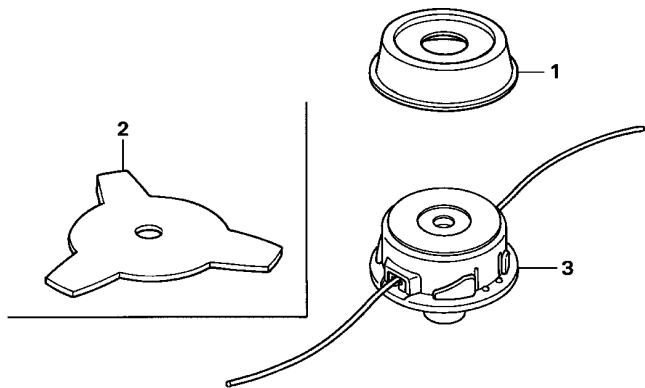
3

Ref. No.	Part No.	Description	Reqd. QTY	Serial No.	Parts catalogue code
			UMK 435		
1	22100-VK4-M00	OUTER COMP., CLUTCH .....	1		
2	22260-VK4-M01	HOUSING ASSY., CLUTCH .....	1		
3	22261-VK4-003	HOUSING, CLUTCH .....	1		
4	40230-VK4-M01	PIPE ASSY., FRAME .....	1		
5	41411-VK4-M01	SHAFT, DRIVE .....	1		
6	50374-VF9-B01	HOLDER, HANGER .....	1		
7	90101-VK4-003	BOLT, SOCKET, 6X20 .....	1		
8	90102-VK4-000	BOLT, FLANGE SOCKET, 6X20 ...	4		
9	90103-VK4-003	BOLT, SOCKET, 5X20 .....	3		
10	90105-VJ8-C01	BOLT, SOCKET, 6X15 .....	1		
11	90401-VK4-003	WASHER, 5MM .....	3		
12	90651-MA6-720	BAND, WIRE HARNESS .....	2		
13	93892-05010-07	SCREW-WASHER, 5X10 .....	1		
14	94510-15000	CIRCLIP, EXTERNAL, 15MM .....	1		
15	94510-30000	CIRCLIP, EXTERNAL, 30MM .....	1		
16	94520-35000	CIRCLIP, INTERNAL, 35MM .....	1		
17	96130-62020-10	BEARING, RADIAL BALL, 6202 ..	1		

F-4

BLADE(NYLON/CUTTER BLADE)

**D 4**

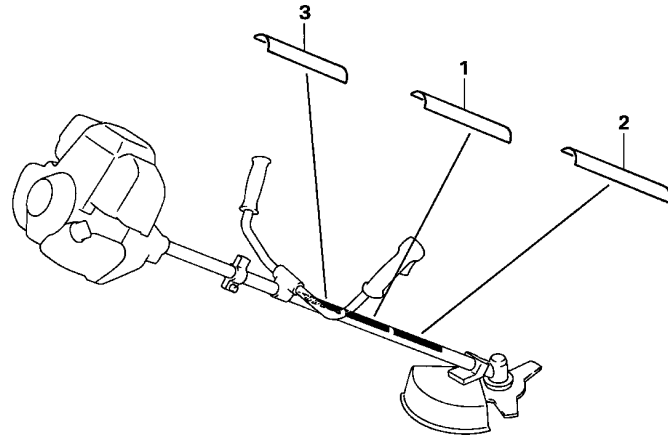


VK48-F0400

Ref. No.	L.O.N.	(Relative ref. Number) Description	F.R.T.
2	2161A4	BLADE, CUTTER .....	0.1
3	2161G7	CUTTER, NYLON .....	0.1

Ref. No.	Part No.	Description	Reqd. QTY		Serial No.	Parts catalogue code
			UMK	435		
1	21913-VF9-V30	GUARD B, GRASS .....	(1)		-----	UT3B,UT3D
2	72511-VF9-B01	BLADE, CUTTER .....	1		-----	
3	72560-VK4-M01	CUTTER ASSY., NYLON .....	1		-----	UT3B,UT3D

**3**



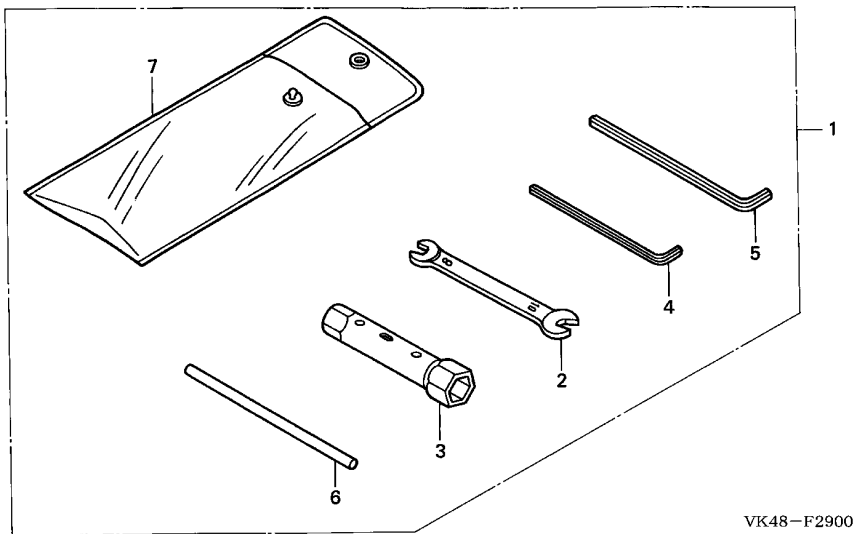
VK48-F2800

Ref. L.O.N. (Relative ref. Number) F.R.T.  
No. Description

NO INFORMATION .....

3

Ref. No.	Part No.	Description	Reqd. QTY		Serial No.	Parts catalogue code
			UMK	435		
1	87150-VF9-A00	MARK, CAUTION .....	1			
2	87521-VK4-000	MARK, EMBLEM (UMK435) .....	1			
3	87594-VF9-L00	MARK, OIL CAUTION .....	1			



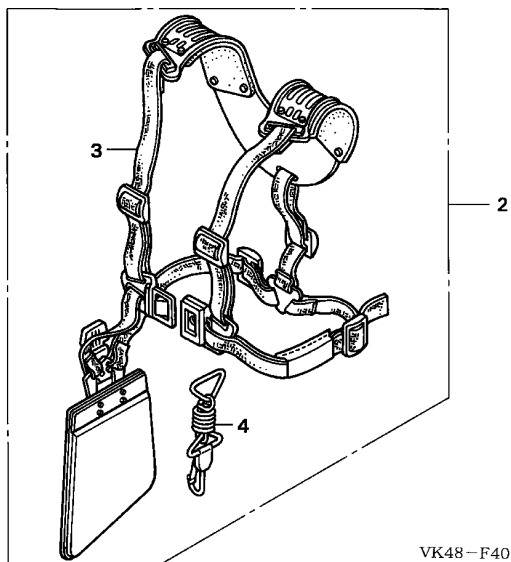
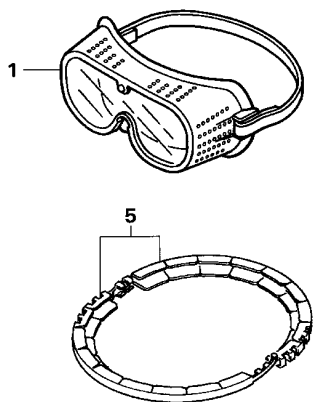
Ref. No.	L.O.N.	(Relative ref. Number) Description	F.R.T.
----------	--------	---------------------------------------	--------

NO INFORMATION .....

Ref. No.	Part No.	Description	Reqd. QTY		Serial No.	Parts catalogue code
			UMK	435		
1	89000-VF9-A00	TOOL KIT .....	1			
2	89203-VF9-003	SPANNER, 8X10 .....	1			
3	89216-045-010	WRENCH, SPARK PLUG .....	1			
4	89221-KW3-000	WRENCH, HEX., 4MM .....	1			
5	89221-MJ4-000	WRENCH, HEX., 5MM .....	1			
6	99005-01000	BAR A, HANDLE .....	1			
7	99008-01600	BAG, TOOL, 160MM .....	1			







Ref. L.O.N. (Relative ref. Number) F.R.T.  
No. Description

NO INFORMATION .....

3

Ref. No.	Part No.	Description	Reqd. QTY	Serial No.	Parts catalogue code
			UMK 435		
1	60156-VK4-M01	SCREEN, DUST .....	1		
2	68150-VF9-J03	BELT ASSY., SHOULDER .....	1		
3	68151-VF9-J01	BELT COMP., SHOULDER .....	1		
4	68152-VF9-003	HOOK COMP., SHOULDER BELT ...	1		
5	72534-VJ3-681	COVER, BLADE .....	1		

# PART NO. INDEX

E 1

Part Number				Address				Page				Ref.							
Part Number	Address	Page	Ref.	Part Number	Address	Page	Ref.	Part Number	Address	Page	Ref.	Part Number	Address	Page	Ref.				
10000				16026-ZM3-004 C8 24 15				28000				72000				90101-VK4-003 D3 34 7			
10100-Z0Z-405 C1 17 1				16027-ZM3-004 C8 24 16				28400-Z0Z-003 C6 22 1				72511-VF9-B01 D4 35 2				90101-VK4-M01 D1 32 16			
				16028-ZM3-004 C8 24 17				28414-Z0Z-000 C6 22 2				72534-VJ3-681 D7 38 5				90102-VK4-000 D3 34 8			
				16029-ZM3-004 C8 24 18				28421-ZM3-003 C6 22 3				72560-VK4-M01 D4 35 3				90102-VK4-M01 D1 32 17			
12000				16030-ZM3-004 C8 24 19				28433-ZM3-003 C6 22 4				72571-VF9-K01 D2 33 2				90103-VK4-003 D3 34 9			
				16031-ZM3-004 C8 24 20				28442-ZM3-003 C6 22 5								90105-VJ8-C01 D3 34 10			
12209-Z0H-003 C4 20 1				16032-ZM3-004 C8 24 21				28451-Z0H-003 C6 22 6				76000				90109-VF9-J00 D2 33 11			
12310-Z0Z-000 C1 17 2				16035-ZM3-802 C8 24 22				28459-Z0H-003 C6 22 7								90112-VF9-J01 D2 33 9			
12312-Z0Z-300 C1 17 3				16100-Z0Z-803 C8 24 23				28461-ZM3-003 C6 22 8				76240-VF9-K01 D2 33 3				90136-SM4-901 C11 27 6			
12314-Z0H-300 C1 17 4				16100-Z0Z-813 C8 24 23				28462-ZM3-003 C6 22 9				76242-VF9-V30 D2 33 4				90206-ZM3-000 C2 18 24			
12367-Z0H-000 C1 17 5				16221-Z0Z-000 C8 24 24								76247-VF9-J01 D2 33 5				90401-VK4-003 D3 34 11			
												76259-VF9-J01 D2 33 7				90651-MA6-720 D3 34 12			
13000				17000				30000								91000			
13010-ZM5-000 C3 19 1				17211-Z0Z-000 C10 26 1				30500-Z0Z-013 C13 29 1											
13101-Z0Z-000 C3 19 2				17220-Z0Z-000 C10 26 2				30522-Z0Z-000 C13 29 2				87000				91212-Z0H-003 C3 19 5			
13111-ZM5-000 C3 19 3				17231-Z0Z-000 C10 26 3												91214-ZM3-003 C3 19 6			
13310-Z0Z-000 C3 19 4				17504-ZM3-003 C12 28 1				31000				87135-ZE2-020 C15 31 1				91301-ZM3-000 C9 25 28			
				17511-Z0Z-013 C12 28 2				31110-Z0Z-003 C13 29 3				87150-VF9-A00 D5 36 1				91308-Z0H-003 C9 25 29			
14000				17533-Z0H-000 C12 28 3				31914-Z0H-003 C1 17 17				87521-VK4-000 D5 36 2				91401-ZM3-003 C12 28 11			
				17555-Z0Z-000 C12 28 4				31915-Z0H-003 C1 17 17				87521-Z0Z-000 C15 31 2				91501-Z0H-000 C12 28 12			
14126-Z0Z-003 C4 20 2				17620-ZM3-816 C12 28 5				31916-Z0H-003 C1 17 17				87531-Z0Z-000 C15 31 3				91504-ZM3-003 C6 22 12			
14320-Z0Z-000 C4 20 3				17672-Z0H-003 C12 28 6								87594-VF9-L00 D5 36 3				91506-ZM3-000 C6 22 13			
14400-Z0Z-003 C4 20 4				17701-Z0Z-000 C12 28 7				32000				87601-Z0H-J30 C15 31 4							
14431-Z0H-003 C1 17 6				17702-Z0Z-000 C12 28 8				32100-VF9-V31 D1 32 8				87601-Z0H-J40 C15 31 4				93000			
14441-Z0H-003 C1 17 7				17702-Z0Z-J31 C12 28 8				32195-Z0Z-J00 C13 29 4				89000				93500-03005-0A C2 18 25			
14711-Z0Z-000 C4 20 5				17850-VK4-M01 D1 32 1				40000				89000-VF9-A00 D6 37 1				93500-05030-0G D1 32 18			
14721-Z0Z-000 C4 20 6				17851-VH8-761 D1 32 2				40230-VK4-M01 D3 34 4				89203-VF9-003 D6 37 2				93892-05010-07 D3 34 13			
14730-Z0Z-000 C1 17 8				17852-VH8-641 D1 32 3								89216-045-010 D6 37 3				94000			
14740-Z0Z-000 C1 17 9				17853-VF9-V31 D1 32 4								89221-KW3-000 D6 37 4				94002-05070-0S D1 32 19			
14751-Z0Z-000 C4 20 7				17854-VF9-V31 D1 32 5				41000				89221-MJ4-000 D6 37 5				94050-05000 C10 26 6			
14771-Z0H-000 C4 20 8				17856-VF9-V31 D1 32 6				41100-VK4-M01 D2 33 1				90000				94050-08000 C13 29 6			
				17859-VF9-V31 D1 32 7				41411-VK4-M01 D3 34 5				90001-Z0Z-003 C11 27 4				94101-05000 D2 33 10			
15000				18000				50000				90009-Z0H-003 C1 17 18				94305-40102 C2 18 26			
15422-Z0Z-000 C1 17 10				18310-Z0Z-010 C11 27 1				50374-VF9-B01 D3 34 6				90009-Z0Z-003 C10 26 4				94510-15000 D3 34 14			
15510-Z0H-000 C1 17 11				18515-Z0Z-300 C11 27 2				53000				90010-Z0H-003 C12 28 9				94510-30000 D3 34 15			
15571-ZM3-003 C1 17 12				18518-Z0Z-000 C11 27 3				53110-VK4-M00 D1 32 9				90010-Z0Z-003 C1 17 19				94520-35000 D3 34 16			
15572-Z0H-000 C1 17 13								53136-VF9-A01 D1 32 10				90011-Z0H-811 D1 32 14				95000			
15600-ZM3-003 C1 17 14								53137-VF9-A01 D1 32 11				90012-Z0H-005 C13 29 5				95002-41200-08 C2 18 27			
15625-ZE1-003 C1 17 15				19000				53138-VF9-A01 D1 32 12				90012-ZM3-003 C6 22 10				95002-41300-04 C2 18 28			
15721-Z0Z-000 C1 17 16				19611-Z0Z-000 C7 23 1				53166-VF9-660 D1 32 13				90013-Z0H-004 C1 17 20							
				19631-Z0Z-000 C9 25 25				60000				90013-Z0Z-003 C1 17 21				96000			
				19720-Z0Z-000ZA C14 30 1				60156-VK4-M01 D7 38 1				90014-Z0H-003 C9 25 26				96130-62020-10 D3 34 17			
16010-ZM3-004 C8 24 1				21000				68000				90015-Z0H-003 C14 30 2							
16011-Z0H-003 C8 24 2				21913-VF9-V30 D4 35 1				68150-VF9-J03 D7 38 2				90017-Z0H-000 C1 17 22				99000			
16013-Z0H-003 C8 24 3								68151-VF9-J01 D7 38 3				90018-Z0H-003 C6 22 11				99005-01000 D6 37 6			
16014-ZM3-004 C8 24 4				22000				68152-VF9-003 D7 38 4				90018-Z0H-003 C9 25 27				99008-01600 D6 37 7			
16015-Z0H-003 C8 24 5				22000-Z0Z-003 C7 23 2								90019-Z0H-003 C1 17 23				99101-Z0Z-0360 C9 25 30			
16017-ZM3-004 C8 24 6				22100-VK4-M00 D3 34 1								90101-VF9-V31 D1 32 15				99101-Z0Z-0370 C9 25 30			
16018-ZM3-802 C8 24 7				22253-Z0Z-003 C7 23 3								90101-VJ3-681 D2 33 8				99101-Z0Z-0380 C9 25 30			
16019-ZM3-004 C8 24 8				22254-Z0Z-003 C7 23 5												99101-ZM5-0350 C9 25 30			
16020-ZM3-004 C8 24 9				22254-ZM5-003 C7 23 4															
16021-ZM3-004 C8 24 10				22260-VK4-M01 D3 34 2															
16022-ZM3-014 C8 24 11				22261-VK4-003 D3 34 3															
16023-ZM3-004 C8 24 12																			
16024-Z0H-003 C8 24 13																			
16025-ZM3-004 C8 24 14																			

4

# PART NAME INDEX

F 1

Part name	Address	Page	Ref.	Part name	Address	Page	Ref.	Part name	Address	Page	Ref.	
[ A ]				CLIP, HIGH TENSION CORD .....	C13	29	2	HOOK COMP., SHOULDER BELT .....	D7	38	4	
ARM, EX. VALVE ROCKER .....	C1	17	7	CLIP, TUBE .....	C12	28	11	HOUSING ASSY., CLUTCH .....	D3	34	2	
ARM, IN. VALVE ROCKER .....	C1	17	6	CLUTCH ASSY. ....	C7	23	2	HOUSING, CLUTCH .....	D3	34	3	
ARM, SWING .....	C6	22	7	COIL ASSY., IGNITION .....	C13	29	1	[ J ]				
[ B ]				COLLAR .....	C6	22	12	JET .....	C9	25	30	
BAG, TOOL, 160MM .....	D6	37	7	COLLAR A, HEAD COVER .....	C6	22	13	[ K ]				
BAND, WIRE HARNESS .....	D3	34	12	COLLAR, TANK GUARD .....	C12	28	12	KNOB, RECOIL STARTER .....	C6	22	8	
BAR A, HANDLE .....	D6	37	6	CORD, STOP SWITCH .....	C13	29	4	[ L ]				
BEARING, RADIAL BALL, 6202 ...	D3	34	17	COVER COMP., TOP .....	C14	30	1	LABEL, E-SPEC .....	C15	31	1	
BELT ASSY., SHOULDER .....	D7	38	2	COVER, AIR CLEANER .....	C10	26	3	LEVER ASSY., THROTTLE .....	D1	32	1	
BELT COMP., SHOULDER .....	D7	38	3	COVER, BLADE .....	D7	38	5	LEVER, METERING .....	C8	24	12	
BELT, TIMING .....	C4	20	4	COVER, CYLINDER HEAD .....	C1	17	2	LEVER, THROTTLE .....	D1	32	2	
BLADE, CUTTER .....	D4	35	2	COVER, FAN .....	C7	23	1	LEVER, THROTTLE LOCK .....	D1	32	3	
BODY ASSY., AIR PURGE .....	C8	24	6	COVER, PRIMER PUMP .....	C8	24	15	LIFTER COMP., EX. VALVE .....	C1	17	9	
BODY ASSY., PUMP .....	C8	24	5	CRANKCASE SET .....	C1	17	1	LIFTER COMP., IN. VALVE .....	C1	17	8	
BOLT, 5X53 .....	C9	25	26	CRANKSHAFT COMP. ....	C3	19	4	[ M ]				
BOLT, CLUTCH .....	C7	23	3	CUTTER ASSY., NYLON .....	D4	35	3	MARK .....	C15	31	5	
BOLT, FLANGE SOCKET, 6X20 ...	D3	34	8	[ D ]				MARK, CAUTION .....	D5	36	1	
BOLT, SOCKET, 4X14 .....	C13	29	5	DEFLECTOR ASSY., GRASS .....	D2	33	3	MARK, EMBLEM .....	C15	31	2	
BOLT, SOCKET, 5X12 .....	C1	17	23	DEFLECTOR, GRASS .....	D2	33	5	MARK, HONDA .....	D5	36	2	
BOLT, SOCKET, 5X15 .....	D2	33	9	DIAPHRAGM ASSY., METERING .....	C8	24	3	MARK, OIL CAUTION .....	D5	36	3	
BOLT, SOCKET, 5X16 .....	C6	22	11	DIAPHRAGM, PUMP .....	C8	24	4	MARK, TYPE .....	C15	31	4	
	C9	25	27	[ E ]				MUFFLER COMP. ....	C11	27	1	
	C10	26	5	ELEMENT, AIR CLEANER .....	C10	26	1	[ N ]				
	C11	27	5	[ F ]				NUT, FLANGE, 5MM .....	C10	26	6	
	C12	28	10	FILTER, BREATHER .....	C1	17	5	NUT, FLANGE, 8MM .....	C13	29	6	
BOLT, SOCKET, 5X20 .....	C1	17	18	FILTER, FUEL .....	C12	28	6	NUT, HEX., 5MM .....	D1	32	19	
	C7	23	6	FILTER, FUEL INLET .....	C8	24	22	NUT, SELF-LOCK, 5MM .....	C11	27	6	
	D2	33	8	FLYWHEEL COMP. ....	C13	29	3	NUT, TAPPET ADJUSTING .....	C2	18	24	
	D3	34	9	[ G ]				[ O ]				
BOLT, SOCKET, 5X25 .....	C10	26	4	GASKET, METERING DIAPHRAGM .....	C8	24	1	OIL SEAL, 10X20X5 .....	C3	19	5	
BOLT, SOCKET, 5X30 .....	C12	28	9	GASKET, PUMP .....	C8	24	2	OIL SEAL, 15X25X6 .....	C3	19	6	
	D2	33	11	GRIP, L. HANDLE .....	D1	32	13	O-RING .....	C8	24	14	
BOLT, SOCKET, 5X32 .....	C1	17	19	GRIP, L. THROTTLE LEVER .....	D1	32	6	O-RING, 12.3X2.4 .....	C9	25	29	
BOLT, SOCKET, 5X9 .....	D1	32	14	GRIP, R. THROTTLE LEVER .....	D1	32	4	O-RING, 14.8X2.4 .....	C9	25	28	
BOLT, SOCKET, 6X15 .....	D3	34	10	GROMMET, FUEL TUBE .....	C12	28	1	OUTER COMP., CLUTCH .....	D3	34	1	
BOLT, SOCKET, 6X20 .....	D3	34	7	GROMMET, HEAD COVER .....	C1	17	4	[ P ]				
BOLT, SOCKET, 6X25 .....	D1	32	16	GUARD B, GRASS .....	D4	35	1	PACKING, CARBURETOR .....	C8	24	24	
BOLT, SOCKET, 6X30 .....	D1	32	17	GUARD, TANK .....	C12	28	4	PACKING, OIL FILLER CAP .....	C1	17	15	
BOLT, STUD, 2.5X45.5 .....	C11	27	4	GUIDE COMP., UNDER AIR .....	C11	27	3	PIN, METERING LEVER .....	C8	24	11	
BOLT, TOP COVER .....	C14	30	2	GUIDE, AIR .....	C11	27	2	PIN, PISTON .....	C3	19	3	
[ C ]				GUIDE, ROPE .....	C6	22	4	PIN, SPRING, 4X10 .....	C2	18	26	
CAP ASSY., FUEL TANK .....	C12	28	5	[ H ]				PIPE ASSY., FRAME .....	D3	34	4	
CAP ASSY., OIL FILLER .....	C1	17	14	HARNESS ASSY., WIRE .....	D1	32	8	PIPE ASSY., HANDLE .....	D1	32	9	
CAP, THROTTLE LEVER .....	D1	32	5	HOLDER A, HANDLE .....	D1	32	10					
CARBURETOR ASSY. ....	C8	24	23	HOLDER B, HANDLE .....	D1	32	11					
CASE COMP., AIR CLEANER .....	C10	26	2	HOLDER C, HANDLE .....	D1	32	12					
CASE COMP., GEAR .....	D2	33	1	HOLDER, HANGER .....	D3	34	6					
CASE, RECOIL STARTER .....	C6	22	2									
CIRCLIP, EXTERNAL, 15MM .....	D3	34	14									
CIRCLIP, EXTERNAL, 30MM .....	D3	34	15									
CIRCLIP, INTERNAL, 35MM .....	D3	34	16									
CLAMP, TUBE .....	C2	18	27									
			28									

# PART NAME INDEX

F 2

Part name	Address	Page	Ref.	Part name	Address	Page	Ref.	Part name	Address	Page	Ref.
PISTON .....	C3	19	2	[ V ]							
PLATE ASSY., OIL OUTLET VALVE	C1	17	11	VALVE, EX. ....	C4	20	6				
PLATE, DEFLECTOR .....	D2	33	7	VALVE, INLET NEEDLE .....	C8	24	8				
PLATE, NYLON CUTTING .....	D2	33	2	VALVE, IN. ....	C4	20	5				
PLATE, STOPPER .....	C1	17	13	VALVE, OIL OUTLET .....	C1	17	12				
PLUG, SPARK .....	C1	17	17	[ W ]							
PULLEY COMP., CAMSHAFT .....	C4	20	3	WASHER .....	C8	24	20				
PULLEY, RECOIL STARTER .....	C6	22	6	WASHER, 5MM .....	D3	34	11				
PUMP, PRIMER .....	C8	24	21	WASHER, CLUTCH .....	C7	23	4				
[ R ]				WASHER, PLAIN, 5MM .....	D2	33	10				
REEL, RECOIL STARTER .....	C6	22	3	WASHER, WAVE .....	C7	23	5				
RETAINER, VALVE SPRING .....	C4	20	8	WRENCH, HEX., 4MM .....	D6	37	4				
RING SET, PISTON .....	C3	19	1	WRENCH, HEX., 5MM .....	D6	37	5				
RING, RETAINING .....	C8	24	13	WRENCH, SPARK PLUG .....	D6	37	3				
ROLLER, 4X31.8 .....	C4	20	2								
ROPE, RECOIL STARTER .....	C6	22	9								
RUBBER, TANK MOUNTING .....	C12	28	3								
[ S ]											
SCREEN, DUST .....	D7	38	1								
SCREEN, INLET .....	C8	24	7								
SCREW-WASHER, 5X10 .....	D3	34	13								
SCREW, METERING LEVER PIN .....	C8	24	10								
SCREW, PAN, 3X5 .....	C2	18	25								
SCREW, PAN, 4X8 .....	C1	17	20								
			21								
SCREW, PAN, 5X30 .....	D1	32	18								
SCREW, PUMP COVER .....	C8	24	18								
SCREW, SETTING .....	C6	22	10								
SCREW, TAPPET ADJUSTING .....	C1	17	22								
SCREW, TAPPING, 4X20 .....	D1	32	15								
SCREW, THROTTLE COLLAR .....	C8	24	17								
SEAL, HEAD COVER .....	C1	17	3								
SEAL, VALVE STEM .....	C4	20	1								
SHAFT, DRIVE .....	D3	34	5								
SHROUD .....	C9	25	25								
SPACER, DEFLECTOR .....	D2	33	4								
SPANNER, 8X10 .....	D6	37	2								
SPRING, METERING LEVER .....	C8	24	9								
SPRING, PUMP .....	C8	24	19								
SPRING, RECOIL STARTER .....	C6	22	5								
SPRING, THROTTLE LEVER .....	D1	32	7								
SPRING, VALVE .....	C4	20	7								
STARTER ASSY., RECOIL .....	C6	22	1								
SWIVEL .....	C8	24	16								
[ T ]											
TANK, FUEL .....	C12	28	2								
TOOL KIT .....	D6	37	1								
TUBE, BREATHER .....	C1	17	16								
TUBE, FUEL RETURN .....	C12	28	8								
TUBE, FUEL TANK .....	C12	28	7								
TUBE, OIL .....	C1	17	10								

---

**1**

**FOREWORD INDEX**

---

**2**

**ENGINE GROUP**

---

**3**

**FRAME GROUP**

---

**4**

**PART NUMBER INDEX**

---

**5**

**PART NAME INDEX**

---

**HONDA**  
The Power of Dreams



# PARTS CATALOGUE NEWS

Honda Motor Co., Ltd. Service Division

## PARTS CATALOGUE - CORRECTED

Printed in Japan

CODE NO.	18VK4501
PARTS CATALOGUE NEWS	UMK435
NEWS NO.	001

Block No.	Ref. No.	Note	Part No.	Description	Reqd. QTY	Serial No.	Parts catalogue code
					UMK 435		
E-14	25	E	19631-ZOZ-000	*PARTS NO. DELETION			
		D	19631-ZOZ-010	SHROUD .....	1		

NOTE A:PART NO. CHANGE D:NEWLY PROVIDED E:PART NO. DELETION K:REQUIRED NO. CORRECTION L:APPLICATION SERIAL NO. CORRECTION  
T:APPLICATION CORRECTION Z:REMARKS CHANGE



# PARTS CATALOGUE NEWS

Honda Motor Co., Ltd. Service Division

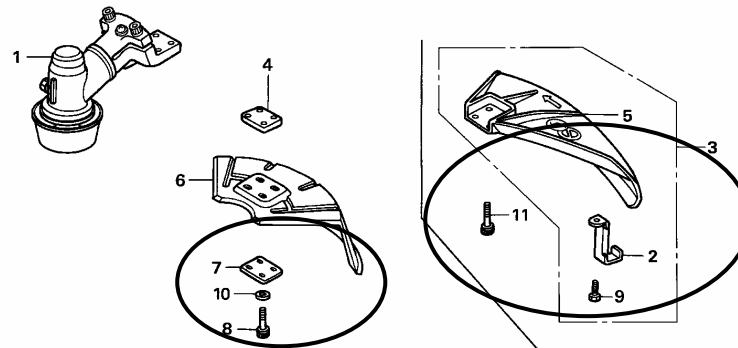
## PARTS CATALOGUE - CORRECTED

Printed in Japan

CODE NO.	18VK4501
PARTS CATALOGUE TITLE	UMK435
NEWS NO.	002

F-2 GEAR CASE

ILLUSTRATION-CORRECTED



VK48-F0200A

NOTE A:PART NO.CHANGE D:NEWLY PROVIDED E:PART NO.DELETION K:REQUIRED NO.CORRECTION L:APPLICATION SERIAL NO.CORRECTION  
T:APPLICATION CORRECTION Z:REMARKS CHANGE