

Digital Laser Copier/Printer

MODEL AR-M208

CONTENTS

1	Exteriors 1	24	1st delivery paper unit 1
2	Exteriors 2	25	1st delivery paper unit 2
3	Delivery tray section	26	2nd delivery paper unit
4	SPF Exteriors	27	PWB section
5	SPF Paper feed unit	28	Rear frame section
6	SPF Transport unit	29	2nd exteriors
7	Operation panel unit	30	2nd 550 cassette unit
8	Frame section	31	2nd paper feed section
9	Lump unit	32	2nd paper transfer section
10	Optical frame 1	33	2nd drive section
11	Optical frame 2	34	Pick up motor unit
12	Middle frame section	35	Packing material & accessories
13	550 cassette unit	36	MCU PWB
14	Paper feed section	37	IMC PWB
15	Paper transfer section	38	LCD backlight PWB
16	Side door unit	39	KEY/LED R PWB
17	Multi manual paper feed tray unit	40	KEY/LED L PWB
18	Multi manual paper feed unit	41	Option connector PWB
19	DV unit	42	2nd Interface PWB
20	Process unit	43	GDI PWB
21	Fusing unit 1	44	USB PWB
22	Fusing unit 2	■	Index
23	Drive unit		

Because parts marked with "△" is indispensable for the machine safety maintenance and operation, it must be replaced with the parts specific to the product specification.

DEFINITION

The definition of each Rank is as follows and also noted in the list

- A: Parts necessary to be stocked as High usage parts.
- B: Parts necessary to be stocked as Standard usage parts.
- C: Low usage parts.
- D: Parts necessary for refurbish.
- E: Unit parts recommended to be stocked for efficient after sales service.
Please note that the lead time for the said parts may be longer than normal parts.
- S: Consumable parts.

Please note that the following parts used in Copier under the same description are classified into A or B Rank depending upon the place used.

Example: Gear made of Metal, Sprocket, Bearing, Belt made of Rubber, Spring clutch mechanism.

ARank : The parts which may be with the revolution or loading.

BRank : Parts similar to A Rank parts, but are not included in Rank A.

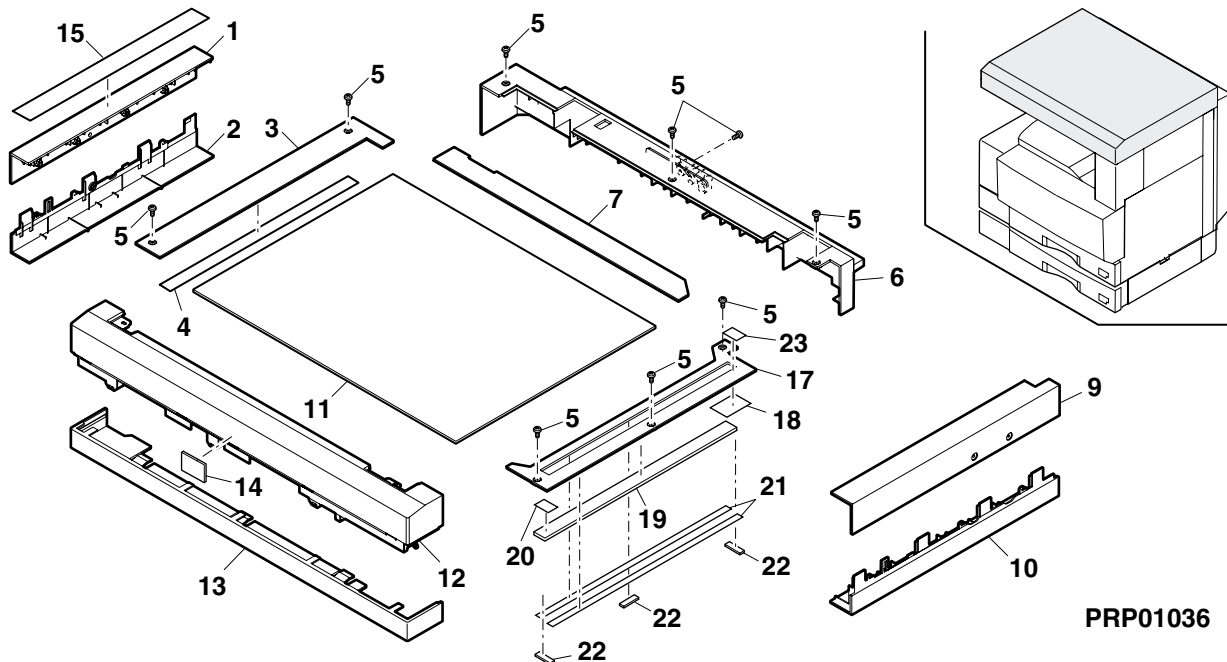
Because parts marked with "△" is indispensable for the machine safety maintenance and operation, it must be replaced with the parts specific to the product specification.

- Other than this Parts Guide, please refer to documents Service Manual (including Circuit Diagram) of this model.
- Please use the 13 digit code described in the right hand corner of front cover of the document, when you place an order.
- For U.S. only-Use order codes provided in advertising literature. Do not order from parts department.

1 Exteriors 1

NO.	PARTS CODE	PRICE RANK	NEW MARK	PART RANK	DESCRIPTION
1	GCAB-0035QSZZ	AK		D	Optical left cabinet upper
2	GCAB-0036QSZZ	AH		D	Optical left cabinet lower
3	CFIX-0013QS01	AK		D	Glass fixing plate
4	PSHEZ0220QSZ1	AK		C	Shadning sheet
5	LX-BZ0024QSZZ	AA		C	Screw
6	GCAB-0040QSZZ	AX		D	Rear cabinet upper
7	CGIDM0077QS01	AL		C	OR guide
9	GCAB-0033QSZZ	AK		D	Optical right cabinet upper
10	GCAB-0034QSZZ	AK		D	Optical right cabinet lower
11	PGLSP0003QSZZ	BA		B	Table glass
12	GCAB-0031QSZZ	AS		D	Optical front cabinet upper
13	GCAB-0032QSZZ	AQ		D	Optical front cabinet lower
14	CPNLH0020QS0G	AQ	N	C	Model panel
15	TLABH0302QSZZ	AG		C	Operation label
17	LFIX-0012QSZZ	AK		D	SPF fixing glass
18	PSHEZ0221QSZZ	AC		C	White revise sheet
19	PGLSP0004QSZZ	AX		B	SPF slit glass
20	PSHEZ0207QSZZ	AC		C	SPF glass sheet F
21	PSHEZ0222QSZZ	AC		C	Glass fixing sheet
22	PCUSS0011QSZZ	AB		C	Glass cushion
23	PSHEZ0208QSZZ	AC		C	SPF glass sheet R

1 Exteriors 1

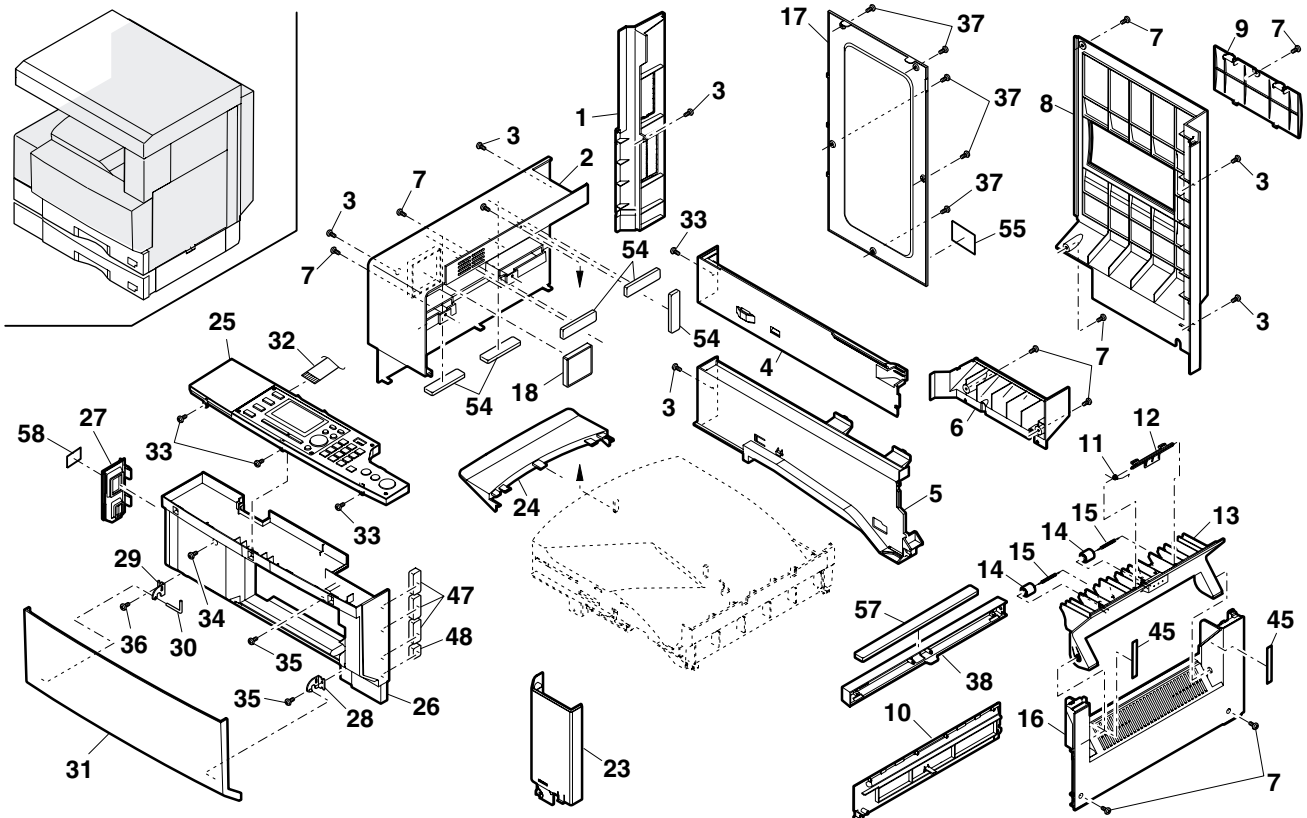


PRP01036

2 Exteriors 2

NO.	PARTS CODE	PRICE RANK	NEW MARK	PART RANK	DESCRIPTION
1	GCAB-0042QSZZ	AP		D	Rear cabinet left
2	GCOV-0028QSZZ	BA		D	Power supply cover
3	XHBSE30P08000	AA		C	Screw(3x8)
4	GCOV-0029QSZZ	AR		D	Delivery rear cover upper
5	GCOV-0030QSZZ	AT		D	Delivery rear cover lower
6	GCAB-0043QSZZ	AN		D	Rear cabinet lower
7	XEBSE40P10000	AA		C	Screw(4x8)
8	GCAB-0041QSZZ	BA		D	Rear cabinet right
9	GCOV-0034QSZZ	AK		D	Rear cabinet memory cover
10	GCOV-0031QSZZ	AK		D	Delivery dummy cover
11	MSPRD0189QSZZ	AB		C	Right cabinet spring
12	MLEVP0069QSZZ	AD		C	Right cabinet lever
13	GDOR-0003QSZ1	AP		D	Right cabinet door
14	NROLP1060FCZZ	AF		C	U-turn roller
15	MSPRT0229GCAZ	AC		C	FU spring R
16	GCAB-0039QSZZ	AR		D	Right cabinet
17	GCOV-0043QSZ1	AS		D	OP PWB cover
18	PFILZ0011QSZ1	AQ		B	Ozon filter
23	GCAB-0037QSZ1	AM		D	Front right cabinet
24	LSOU-0033QSZZ	AR		D	Delivery extension tray
25	CPNLH0016RS81	CB	N	E	Operation panel unit
26	GCAB-0038QSZZ	AX		D	Front cabinet
27	GCOV-0032QSZZ	AF		D	Power supply switch cover
28	CARMM0023QS01	AD		C	Hinge arm R
29	MARMM0022QSZZ	AC		C	Hinge arm L
30	LPIN-0277FCZZ	AB		C	Slide pin
31	CCOV-0027QS02	AV		D	Front cover
32	DHAI-0205QSZZ	AG		C	Operation unit harness
33	XEBSE30P08000	AA		C	Screw(3x8)
34	XEBSE40P12000	AA		C	Screw(4x12)
35	XHBSE40P10000	AA		C	Screw(4x10)
36	XHBSE40P18000	AB		C	Screw(4x18)
37	LX-BZ0024QSZZ	AA		C	Screw
38	GCOV-0042QSZZ	AK		D	Rail dummy cover
45	PSHEZ0281QSZZ	AC		C	Damper sheet C
47	PMLT-0057QSZ1	AE		C	Front cabinet cushion
48	PMLT-0059QSZ1	AD		C	Front cabinet cushion C
54	PMLT-0050QSZZ	AD		C	Power supply cover cushion L corner B
55	TCAUA0770FCZZ	AB		C	Service caution label
57	PMLT-0065QSZ1	AG		C	Rail dummy cover cushion
58	TLABH0360QSZZ	AD		C	Power switch label

2 Exteriors 2

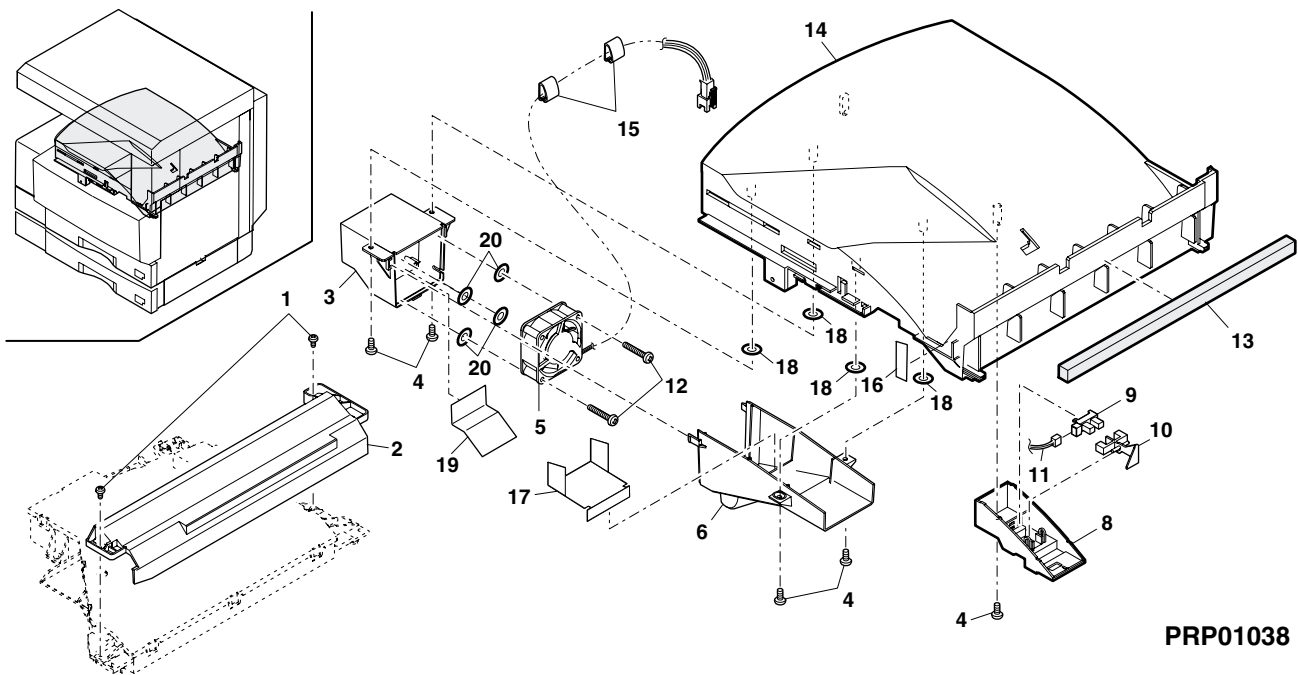


PRP01037

3 Delivery tray section

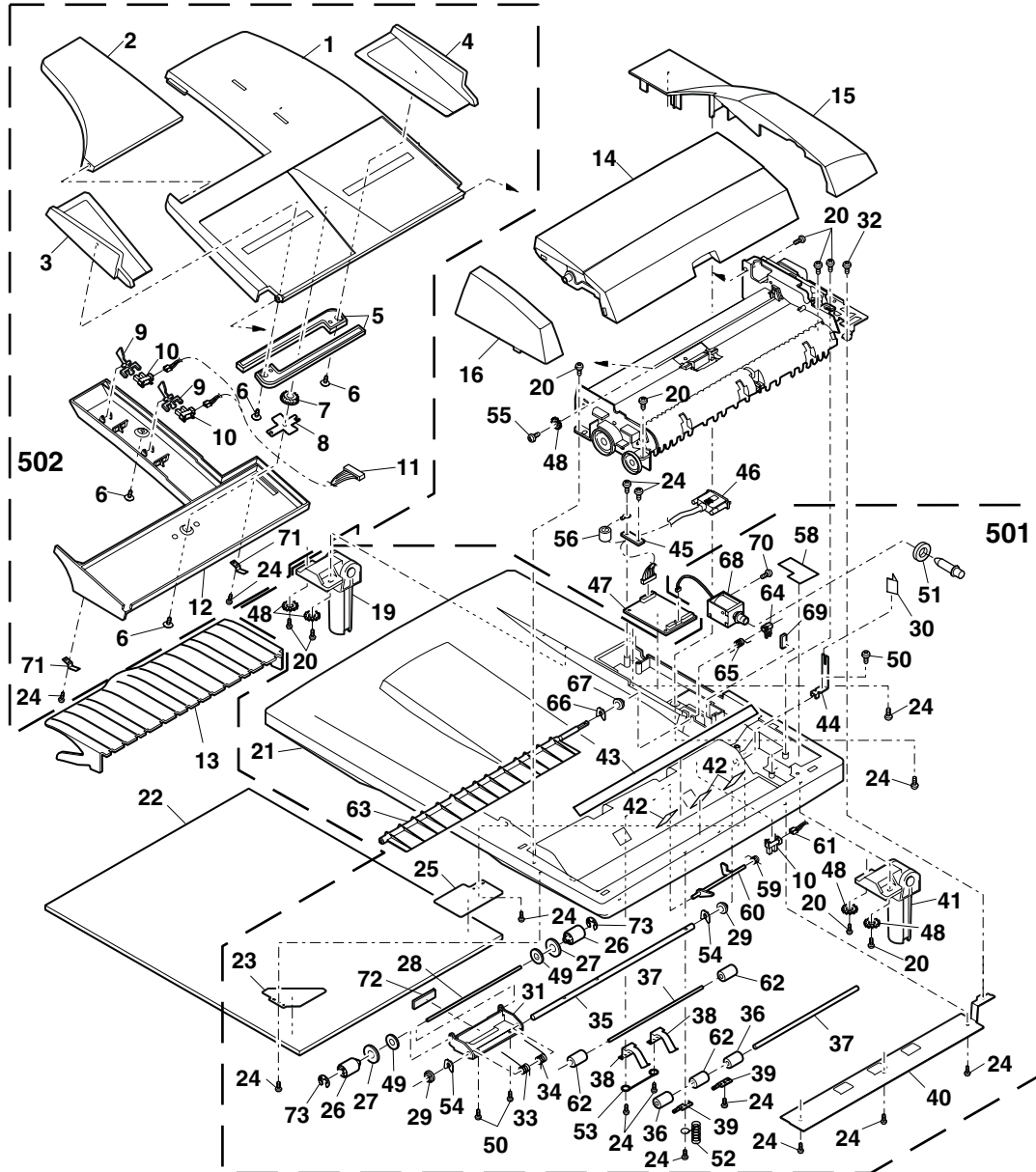
NO.	PARTS CODE	PRICE RANK	NEW MARK	PART RANK	DESCRIPTION
1	XEPSD30P14X00	AA		C	Screw(3×14X)
2	PCOVP0085QSZZ	AP		D	Exhaust cover
3	PBOX-0013QSZZ	AK		C	Exhaust fan box
4	XEBSD30P10000	AA		C	Screw(3×10)
5	NFANP0006QSZZ	AT		B	Exhaust fan motor
6	PDOC-0004QSZZ	AL		C	Exhaust fan duct
8	PBOX-0006QSZZ	AF		D	Delivery sensor BOX
9	VHPGP1S73P+-1	AF		B	Photo sensor(GP1S73P)
10	MLEVP0068QSZZ	AC		C	Delivery tray actuator
11	DHAi-0244QSZZ	AD		C	Delivery paper detect sensor harness
12	LX-BZ0030QSZZ	AC		C	Screw(3×30)
13	PMLT-0043QSZZ	AE		C	Delivery cushion
14	LSOU-0023QSZZ	BA		D	Delivery tray
15	LHLDW1098HCZZ	AB		C	Holder
16	PSHEZ0292QSZZ	AD		C	Delivery tray mylar
17	PSHEZ0286QSZZ	AE		C	Exhaust fan mylar
18	PSHEZ0296QSZZ	AA		C	Ozone duct dumper sheet
19	PSHEZ0282QSZZ	AC		C	Dumper sheet D
20	PSHEZ0283QSZZ	AB		C	Fan motor sheet

3 Delivery tray section



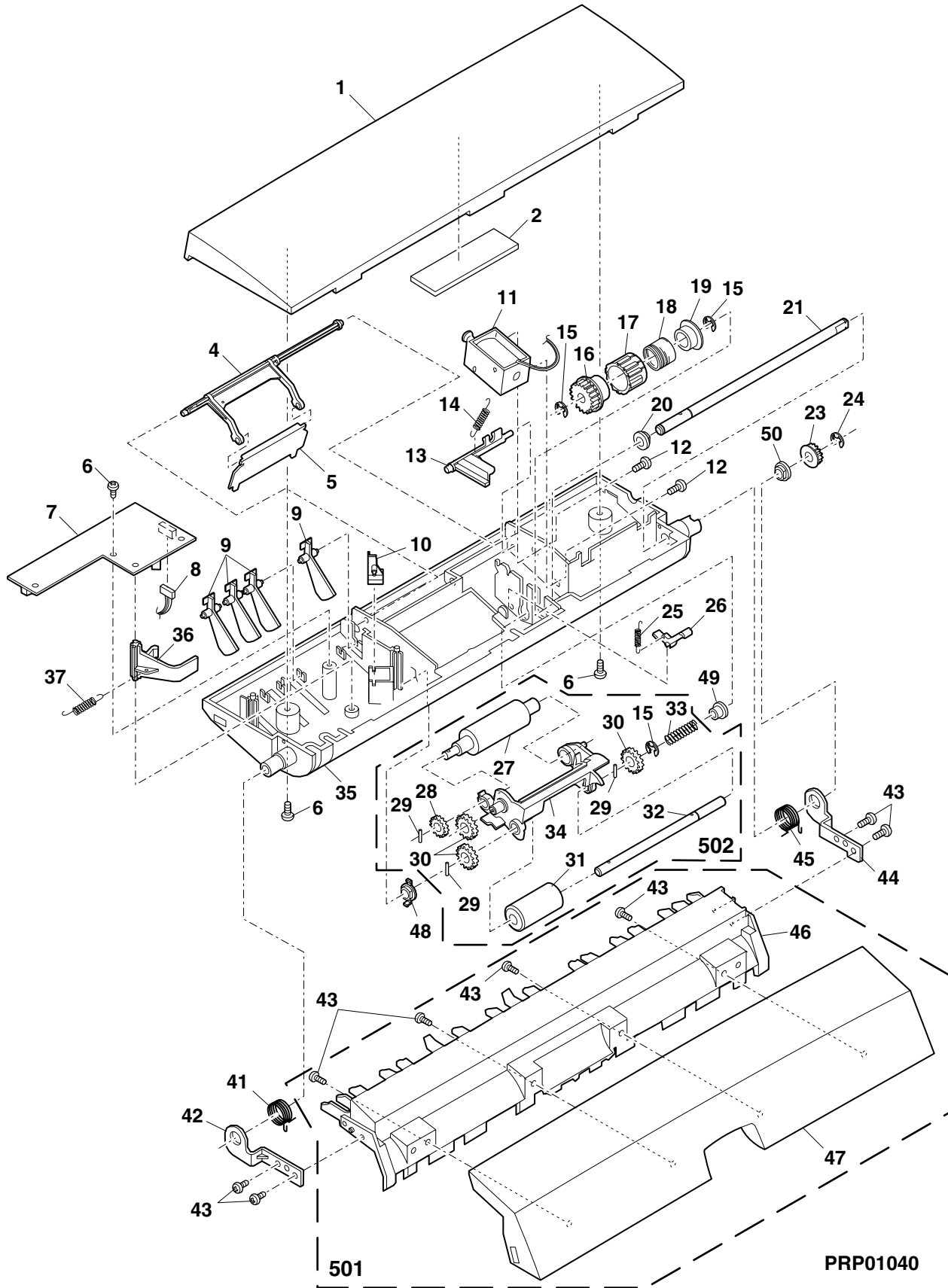
PRP01038

4 SPF Exteriors

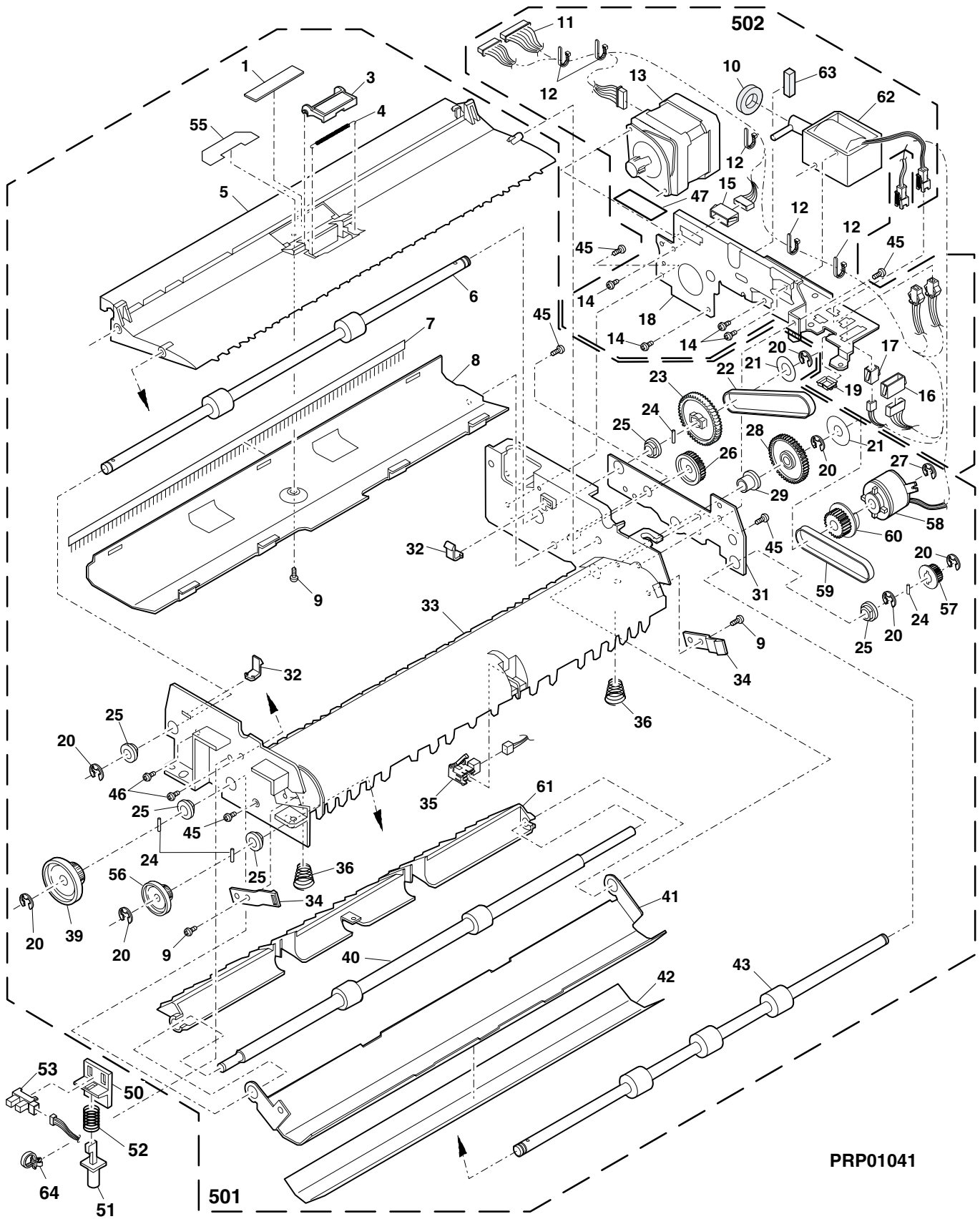


PRP01039

5 SPF Paper feed unit



6 SPF Transport unit

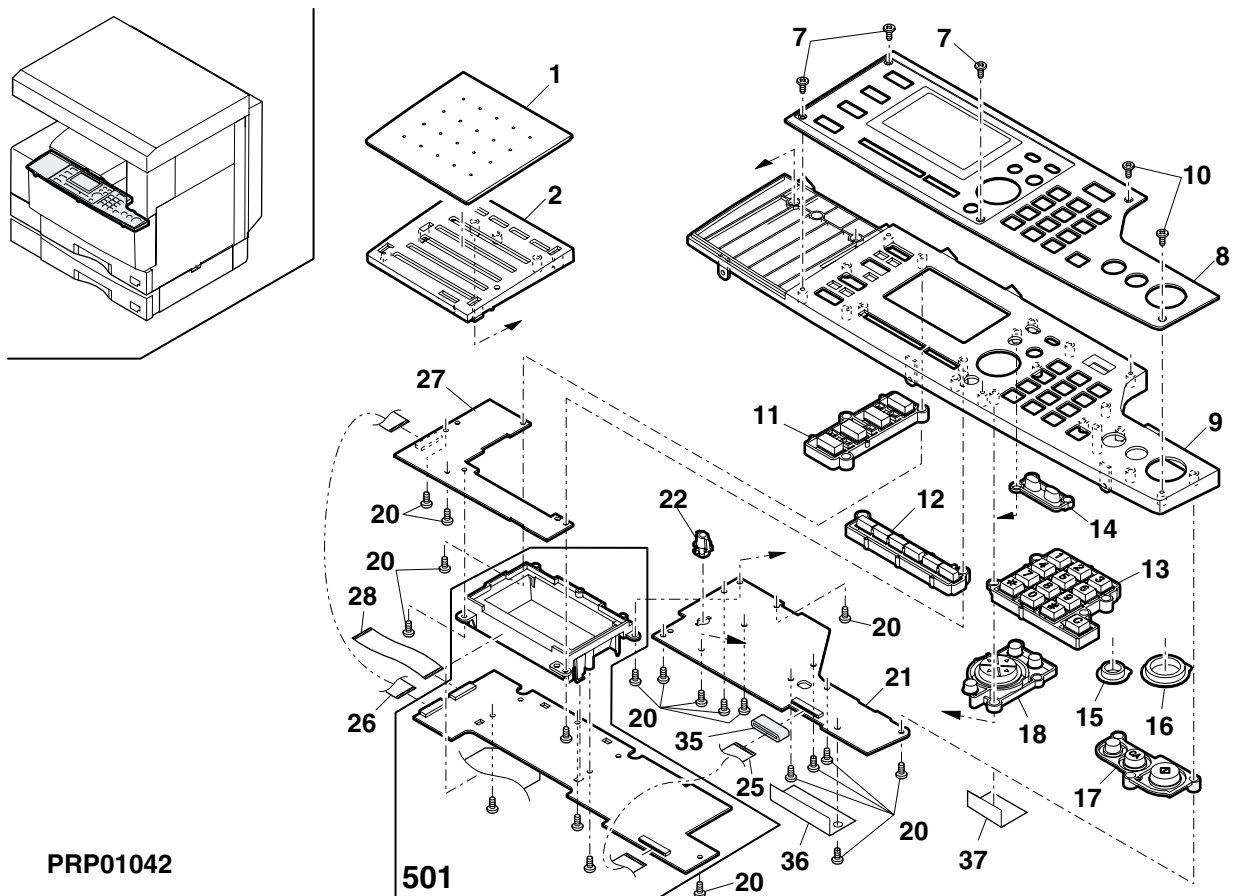


PRP01041

7 Operation panel unit

NO.	PARTS CODE	PRICE RANK	NEW MARK	PART RANK	DESCRIPTION
1	CPNLH0017QS01	AP		C	FAX dummy panel
2	GCAB-0050QSZZ	AG		D	FAX cabinet
7	LPINS0014QSZZ	AC		C	Fixing pin A
8	CPNLH0016QS01	AZ		D	Main panel
9	GCAB-0049QSZZ	AQ		D	Operation panel cabinet
10	LPINS0015QSZZ	AC		C	Fixing pin B
11	CBTN-0047QS31	AQ		C	Mode key
12	JBTN-0046QSZZ	AE		C	Operation key
13	CBTN-0043QS01	AL		C	Ten key
14	CBTN-0044QS01	AG		C	Information key
15	CPLTP0190QS01	AG		C	Interrupt ring
16	CPLTP0189QS01	AG		C	Start ring
17	CBTN-0042QS01	AN		C	Start key
18	CBTN-0045QS01	AL		C	Cross key
20	XEBSD30P08000	AA		C	Screw(3x8)
21	CPWBF0077QSE1	AT		E	KEY/LED R PWB
22	LBOSZ0061QSZZ	AC		C	Cross key boss
25	DHAI-0206QSZZ	AE		C	KEY/LED harness A
26	DHAI-0233QSZZ	AC		C	KEY/LED harness B
27	CPWBF0077QS52	BB		E	KEY/LED L PWB
28	DHAI-0234QSZZ	AC		C	FAX/KEY harness
35	RCORF0002QSZZ	AE		C	Core
36	PSHEZ0293QSZZ	AD		C	Key panel mylar A
37	PSHEZ0294QSZZ	AD		C	Key panel mylar B
501	CBOX-0007QSF8	CA	N	E	LCD box unit
	(Unit)				
901	CPNLH0016RS81	CB	N	E	Operation panel unit

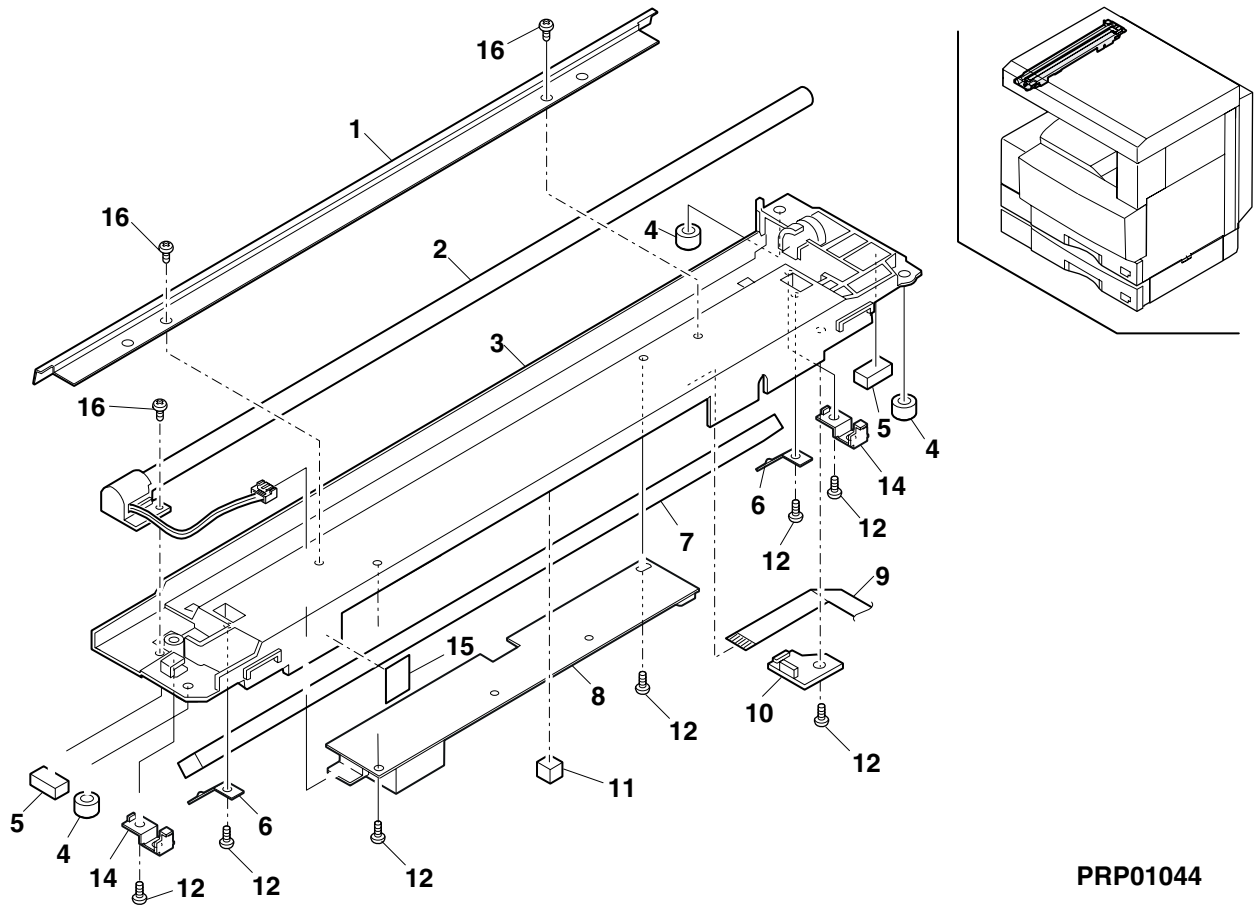
7 Operation panel unit



9 Lump unit

NO.	PARTS CODE	PRICE RANK	NEW MARK	PART RANK	DESCRIPTION
1	PREFL0004QSZZ	AP		D	Reflector
2	RLMPU0012QSZZ	BG		B	Lump
3	LHLDZ0047QSZZ	AW		C	Base
4	MSLi-0138FCZZ	AC		C	Slider
5	PCUSU0203FCZZ	AE		C	Protection cushion
6	MSPRP0145QSZZ	AF		C	Spring
7	PMiR-0009QSZZ	AS		B	1st mirror
8	DUNTK0034QSZZ	BC		C	Inverter unit
9	DHAi-0200QSZZ	AS		C	CL harness
10	LFiX-0009QSZZ	AF		D	Harness fixing
11	PCUSF0334FCZZ	AP		C	Cushion
12	XEPSD30P06000	AA		C	Screw(3x6)
14	LPLTM4715FCZ1	AF		C	Wire fixing plate
15	TCAUH0933FCZZ	AB		C	High temperature caution label
16	XEPSD40P06000	AA		C	Screw(4x6)
	(Unit)				
901	CREFL0004QS33	BL		E	Copy lamp unit

9 Lump unit

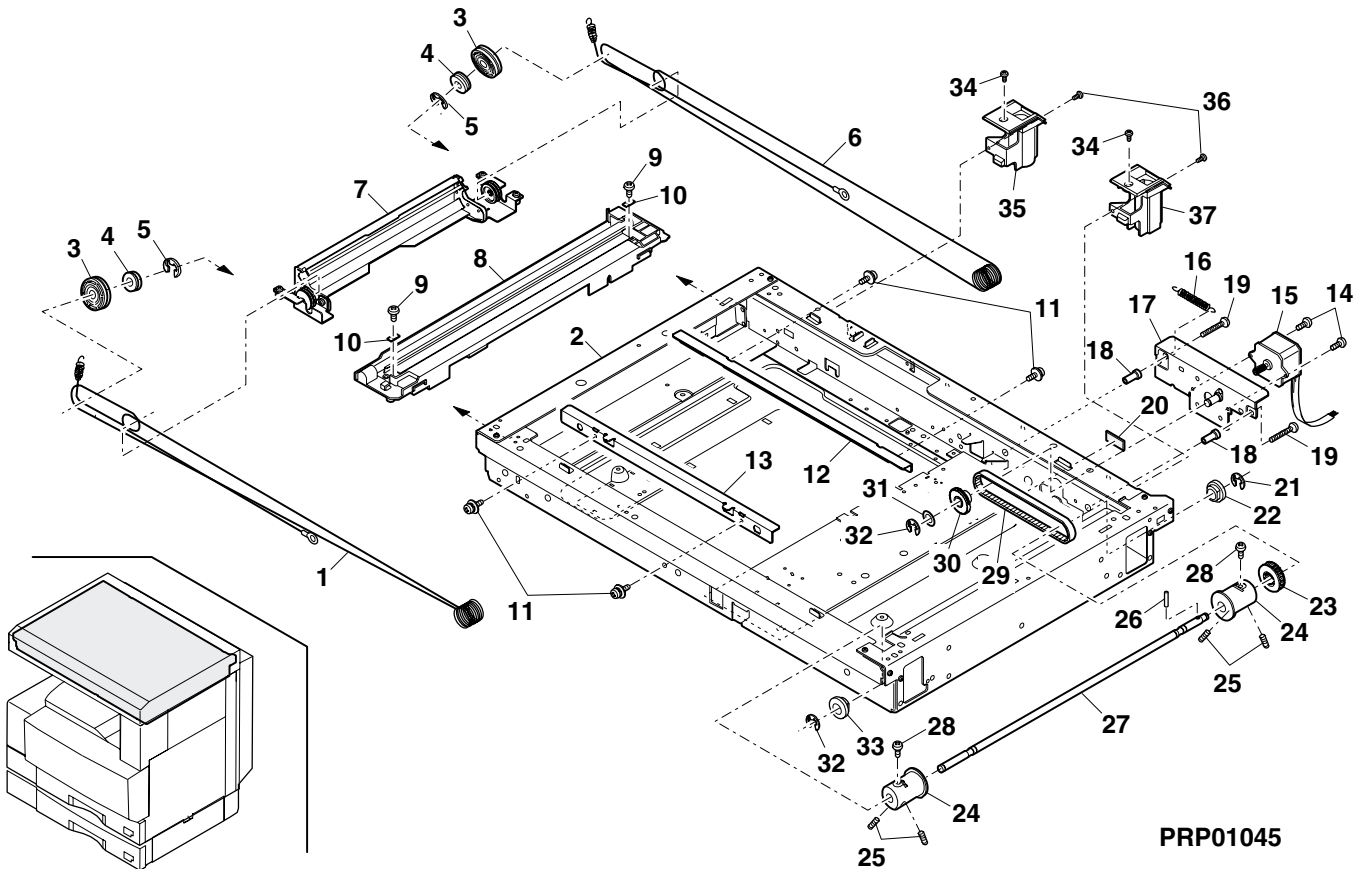


PRP01044

10 Optical frame 1

NO.	PARTS CODE	PRICE RANK	NEW MARK	PART RANK	DESCRIPTION
1	PWIR-0006QSZZ	AQ		C	MB wire F
2	CDAIU0012QS09	BM		D	Optical frame
3	NPLYZ0016QSZZ	AF		C	Pulley
4	NPLYZ0006QSZZ	AD		C	L pulley
5	XRESP40-05000	AA		C	E type ring
6	PWIR-0005QSZ1	AQ		C	MB wire R
7	CMIR-0008QS33	BC		E	2/3 mirror unit
8	CREFL0004QS33	BL		E	Copy lamp unit
9	XBPSD40P06K00	AA		C	Screw(4x6K)
10	LHLDZ0056QSZZ	AC		C	Wire holder
11	LX-BZ0004QSZZ	AB		C	Screw
12	LRALM0007QSZZ	AG		C	MB-B rail R
13	LRALM0006QSZZ	AG		C	MB-B rail F
14	XBPSD30P05K00	AA		C	Screw(3x5K)
15	RMOTP0027QSZZ	BG		B	Mirror motor
16	MSPRC0040QSZZ	AB		C	MB drive spring
17	CPLTM0084QS02	AK		C	Mirror motor fixing plate
18	PGUMS0002QSZZ	AL		C	Protection rubber
19	XBPSD40P16KS0	AA		C	Screw(4x16KS)
20	PCUSG0190FCZ1	AB		C	Table glass cushion
21	XRESP50-06000	AA		C	E type ring
22	NBRGP0012QSZZ	AC		C	Winder bearing F
23	NPLYZ0004QSZZ	AG		C	Winder drive shaft pulley
24	NPLYZ0003QSZZ	AM		C	Winder pulley
25	LX-BZ0049FCZZ	AB		C	Screw
26	XPSSJ30-12000	AB		C	Spring pin(φ3-12)
27	NSFTZ0028QSZZ	AM		C	Winder drive shaft
28	LX-BZ0324FCZZ	AA		C	Screw
29	NBLTT0002QSZZ	AH		B	Winder drive belt
30	NGERH0027QSZZ	AH		C	Mirror motor idle gear
31	LX-WZ0119FCZZ	AA		C	Washer
32	XRESP70-08000	AA		C	E type ring
33	NBRGP0011QSZZ	AC		C	Winder bearing F
34	LX-BZ0024QSZZ	AA		C	Screw
35	PGIDM0054QSE1	AG		C	Hinge guide L
36	XHBSE30P08000	AA		C	Screw(3x8)
37	PGIDM0055QSEZ	AG		C	Hinge guide R

10 Optical frame 1

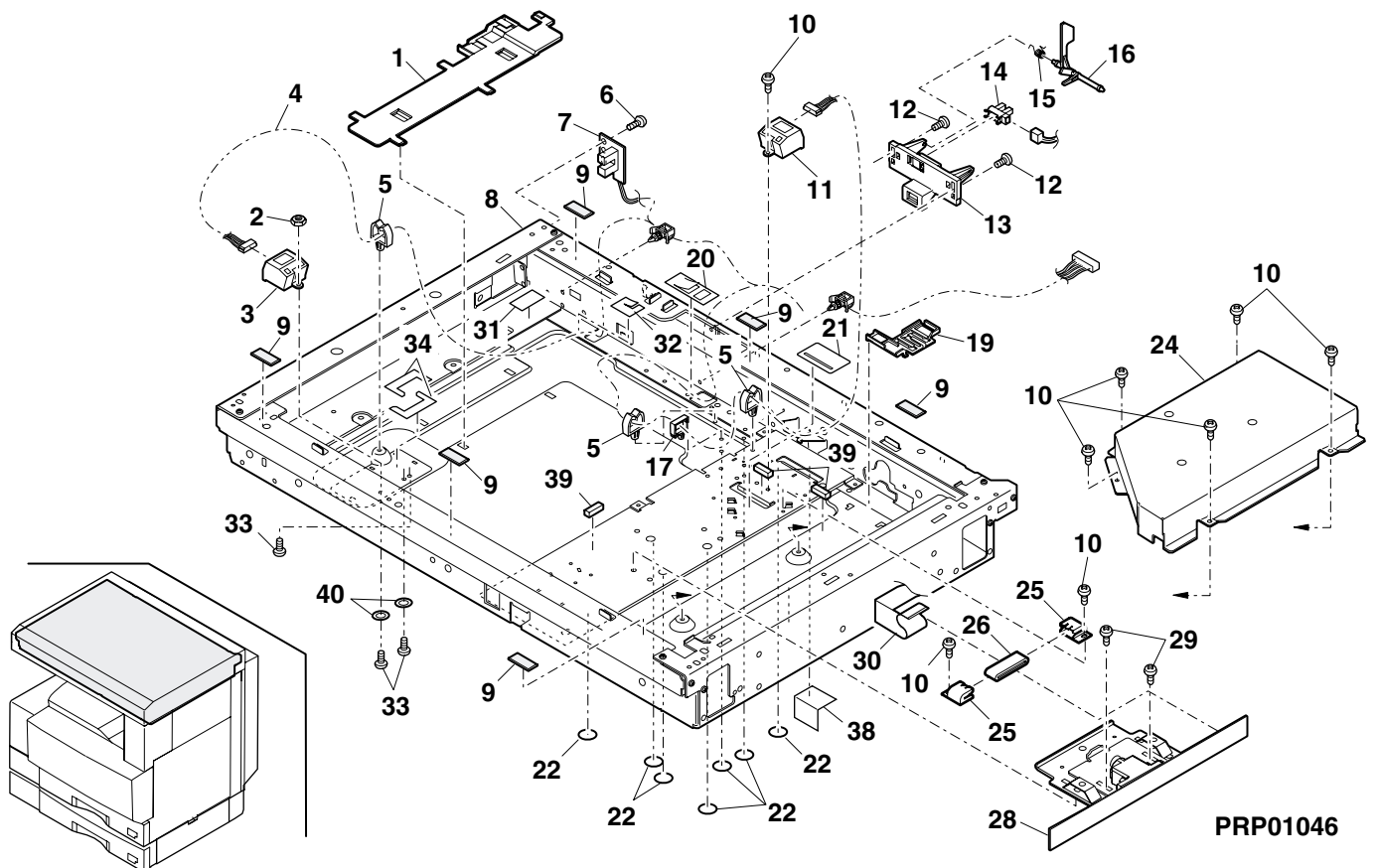


PRP01045

11 Optical frame 2

NO.	PARTS CODE	PRICE RANK	NEW MARK	PART RANK	DESCRIPTION
1	PCOVP0075QSZZ	AE		D	Harness cover
2	XNESD30-24000	AA		C	Nut(M3)
3	VHPGP2D03// -1	BA		B	Photo sensor(GP2D03)
4	DHAI-0203QSZZ	AL		C	Optical sensor harness
5	LHLDW1009ACZZ	AA		C	Clamp
6	XBBSF30P08000	AA		C	Screw(3x8)
7	CPWBF0083RS51	AU		E	Sensor PWB
8	CDAIU0012QS09	BM		D	Optical frame
9	PCUSG0190FCZ1	AB		C	Table glass cushion
10	XHBSD30P06000	AA		C	Screw(3x6)
11	VHPGP2D032// -1	BA		B	Photo sensor(GP2D032)
12	XBPSD30P08X00	AA		C	Screw(3x8X)
13	LPLTP0230QSZZ	AF		C	Open/close sensor fixing plate
14	VHPGP1S73P+ -1	AF		B	Photo sensor(GP1S73P)
15	MSPRD0232QSZZ	AB		C	Return spring
16	MLEVP0077QSZZ	AC		C	Open/Close actuator
17	LCRA-0002QSZZ	AC		C	Mini clump
19	LHLDZ0043QSZZ	AE		C	CL lead holder
20	PSHEZ0218QSZZ	AC		C	Edge protect mylar A
21	PSHEZ0217QSZZ	AC		C	CCD harness protect mylar B
22	PSHEZ0109QSZZ	AC		C	Optical base plate bottom mylar B
24	PASZ0010QSZZ	AL		D	Durk box
25	LHLDZ7021XCZZ	AD		C	Holder(FRH-12)
26	RCORF0002QSZZ	AE		C	Core(HF57SH35*1)
28	CLNS-0003RS52	BP		E	Lens unit
29	LX-BZ0004QSZZ	AB		C	Screw
30	DHAI-0201QSZZ	AH		C	CCD harness
31	PSHEZ0108QSZZ	AC		C	Optical base plate bottom mylar A
32	PSHEZ0219QSZZ	AC		C	Edge protect mylar B
33	LX-BZ0031GCZZ	AB		C	Screw
34	PSHEZ0254QSZZ	AC		C	Optical bottom mylar
38	PSHEZ0273QSZZ	AB		C	CCD harness protect mylar A
39	PGSK-0008QSZZ	AF		C	Gasket
40	XWHSD40-08100	AA		C	Washer

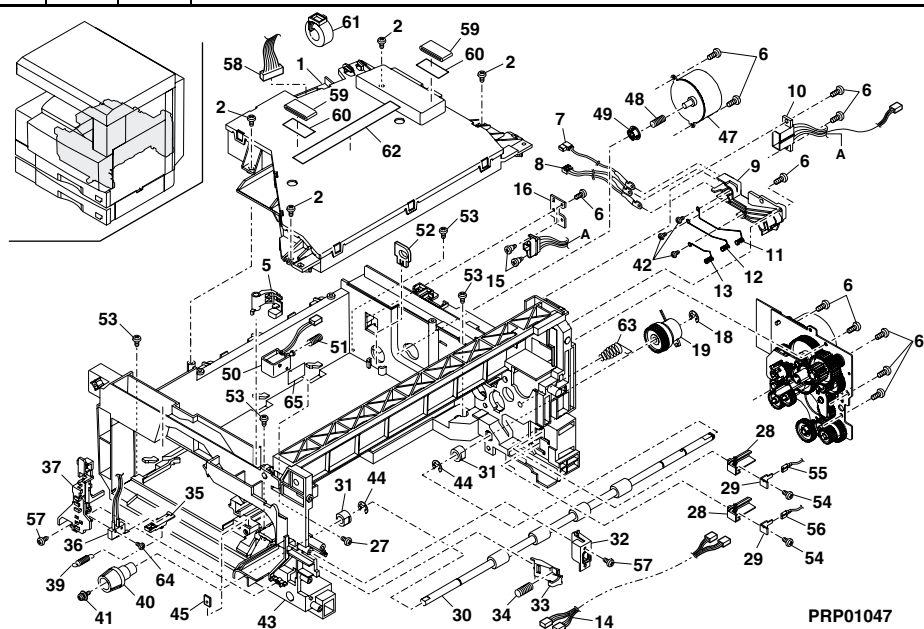
11 Optical frame 2



12 Middle frame section

NO.	PARTS CODE	PRICE RANK	NEW MARK	PART RANK	DESCRIPTION
1	DUNTK0185RSZZ	BW		E	LSU unit
2	XEPSD30P14X00	AA		C	Screw(3x14X)
5	MARMP0025QSZZ	AD		C	Separator pawl arm
6	XEBSD30P10000	AA		C	Screw(3x10)
7	CHAI-0213QS51	AQ		C	MC harness
8	CHAI-0214QS51	AP		C	GBMCFB harness
9	LHLDZ0057QSZZ	AH		C	High voltage terminal holder A
10	DHAI-0215QSZZ	AR		C	DVS harness
11	MSPRD0190QSZZ	AD		C	High voltage terminal saw teeth
12	MSPRD0191QSZZ	AD		C	High voltage terminal grid L
13	MSPRD0192QSZZ	AD		C	High voltage terminal case L
14	DHAI-0235QSZZ	AL		C	Interlock switch harness
15	LX-BZ0020QSZZ	AB		C	Screw
16	LPLTM0149QSZZ	AD		C	Connector fixing plate
18	XRESP50-06000	AA		C	E type ring
19	PCLC-0006QSZZ	AU		B	PS clutch
27	XBBSD30P05000	AA		C	Screw(3x5)
28	LHLDZ0085QSZZ	AE		C	TR terminal holder
29	LPLTM0248QSZZ	AE		C	TR terminal plate
30	NROLR0089QSZZ	AQ		C	PS transport roller REF
31	NBRGC0018QSZZ	AD		C	Bearing
32	PCOVP0062QSZZ	AD		D	ILSW cover
33	LSTPP0010QSZZ	AD		C	Right door stopper
34	MSPRC0220QSZZ	AB		C	Stopper spring
35	MLEVP0071QSZZ	AD		C	ILSW lever
36	CSW-M0007QS52	BB		B	Inter lock switch
37	LHLDZ0065QSZZ	AF		C	ILSW holder
39	MSPRT0221QSZZ	AB		C	ILSW spring
40	JKNBZ0006QSZZ	AD		C	PS knob
41	XBPSD30P08KS0	AA		C	Screw(3x8KS)
42	XBPSC30P06ES0	AA		C	Screw(3x6ES)
43	LFRM-0037QSZZ	BD		D	Middle frame
44	XRESP60-08000	AA		C	E type ring
45	LPLTM0194QSZZ	AC		C	DV fixing plate
47	RMOTD0023QSZZ	AZ		B	Toner motor
48	MSPRC0195QSZZ	AB		C	Hopper spring
49	NCPL-0011QSZZ	AC		C	Hopper cupring
50	RPLU-0024QSZZ	AM		B	Pawl solenoid
51	MSPRC1318FCZ1	AA		C	Spring B
52	LPI NS0300FCZZ	AD		C	DV guide pin
53	XEBSD40P10000	AA		C	Screw(3x10)
54	XEBSD30P06000	AA		C	Screw(3x6)
55	DHAI-0211QSZZ	AG		C	TC harness
56	DHAI-0212QSZZ	AH		C	BC harness
57	XEBSD30P10000	AA		C	Screw(3x10)
58	DHAI-0232QSZZ	AH		C	LSU interface harness
59	RCORF0002QSZZ	AE		C	Core
60	PTPE-0016QSZZ	AC		C	Core fixing tape
61	RCORF0017QSZZ	AG		C	LSU harness core
62	TCAUH0007QSZZ	AD		C	Laser caution label
63	MSPRC0271QSZZ	AC		C	Sub blade earth spring
64	XEPSD23P12000	AA		C	Screw(2.3x12)
65	PSHEZ0394QSZZ	AB		C	Drum solenoid damper sheet

12 Middle frame section

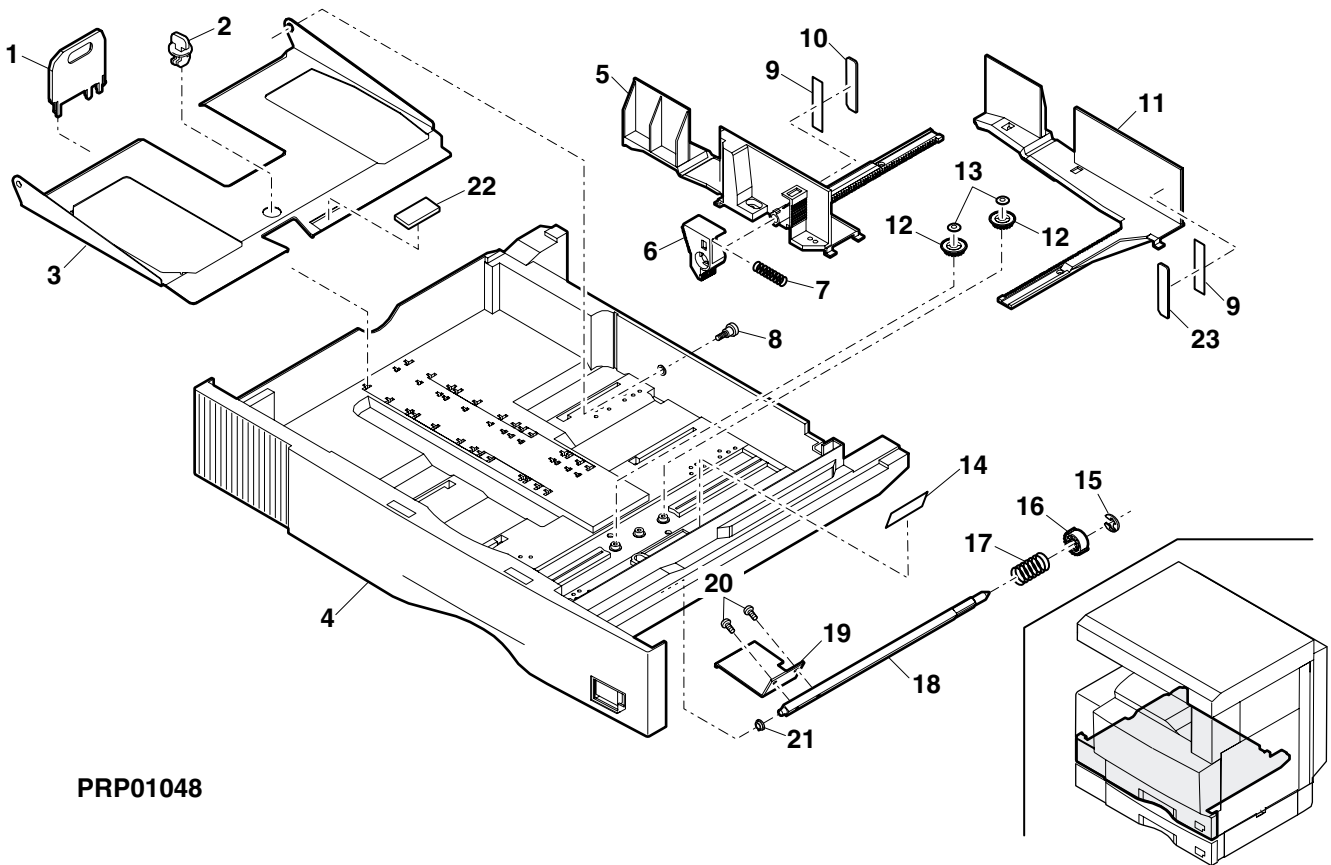


PRP01047

13 550 cassette unit

NO.	PARTS CODE	PRICE RANK	NEW MARK	PART RANK	DESCRIPTION
1	LPLTP0159QSZZ	AD		C	Cassette rear side plate
2	LHLDW1226FCZZ	AB		C	Turn fastener
3	LPLTM0179QSZ1	AR		C	Rotation plate
4	GCASP0004QSZZ	BA		D	550 cassette
5	PGiDM0070QSZ1	AM		C	Guide F
6	MLEVP0755FCZ1	AE		C	Side plate F lever
7	MSPRC2631FCZZ	AC		C	Fusing pressure spring
8	LX-BZ0833FCZZ	AC		C	Screw
9	PTPE-0021QSZZ	AD		C	GlD tape
10	LPLTM0181QSZ1	AB		C	Side plate guide F
11	PGiDM0071QSZZ	AL		C	Guide R
12	NGERH0193FCZZ	AB		C	UC manual feed gear
13	LX-BZ0884FCZZ	AB		C	Screw
14	PSHEZ0244QSZ2	AC		C	Cassette mylar
15	XRESP70-08000	AA		C	E type ring
16	NGERH0108QSZZ	AD		C	Lift gear(22T)
17	MSPRC0210QSZZ	AC		C	Lift gear spring
18	NSFTZ0047QSZZ	AP		C	Lift shaft
19	LPLTM0180QSZ1	AE		C	Lift plate
20	XBPSD40P08KS0	AA		C	Screw(4x8KS)
21	NBRGP0041GCZZ	AD		C	Bearing
22	PSHEZ0274QSZZ	AC		C	Rotation plate sheet
23	LPLTM0277QSZZ	AC		C	Side plate guide R
	(Unit)				
901	CCASP0004RS54	BG		E	550 cassette unit

13 550 cassette unit

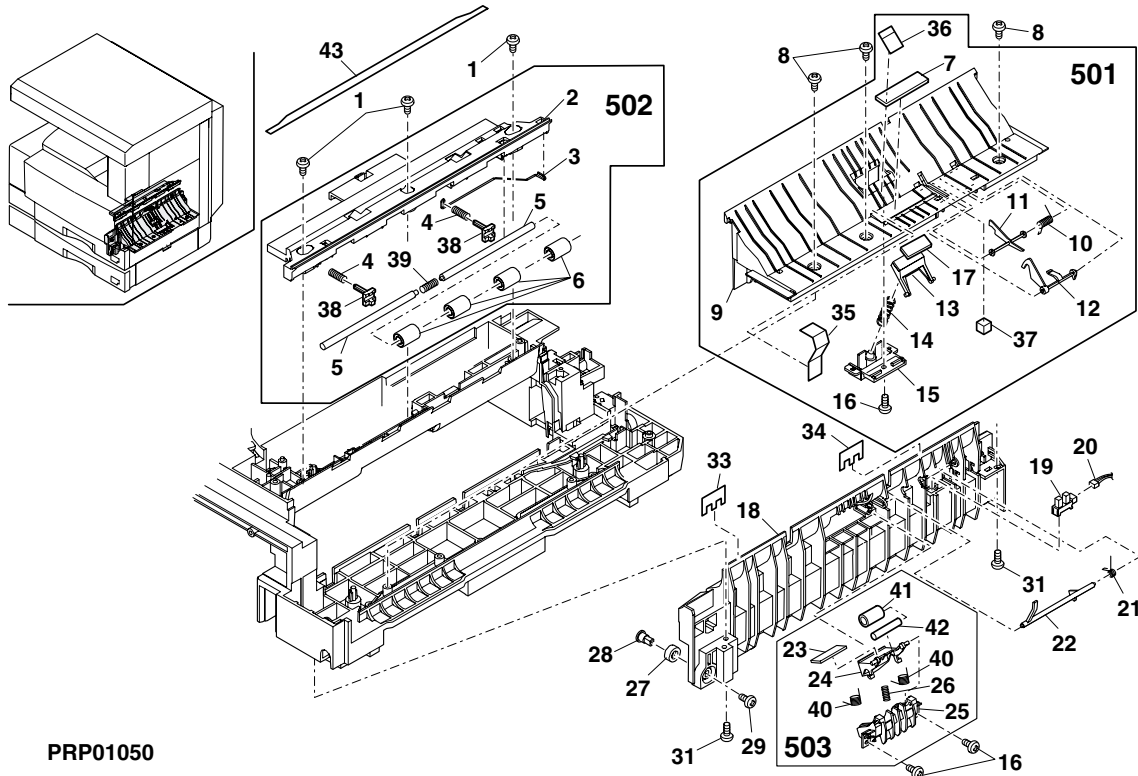


PRP01048

15 Paper transfer section

NO.	PARTS CODE	PRICE RANK	NEW MARK	PART RANK	DESCRIPTION
1	XEBSE40P12000	AA		C	Screw(4x12)
2	PCOVP0053QSZ2	AP		D	Middle frame cover
3	MSPRD0194QSZ1	AD		C	PS earth spring LP
4	MSPRC0291QSZZ	AC		C	PS pressure spring 4
5	NSFTZ0065QSZZ	AD		C	PS sub roller shaft 4
6	NKOM-0006QSZZ	AC		C	PS collar
7	PSHEZ0133QSZZ	AD		C	Paper feeding sheet
8	XEBSE40P10000	AA		C	Screw(4x10)
9	PGIDM0067QSZ1	AR		C	Base plate paper feed guide
10	MSPRD0233QSZ1	AC		C	MF actuator spring
11	MLEVP0023QSZZ	AE		C	MF sensor actuator
12	MLEVP0044QSZZ	AE		C	MF sensor actuator 2
13	LHLDZ0017QSZZ	AD		C	Pressure plate holder
14	MSPRC0243QSZZ	AC		C	Pressure plate spring
15	PCOVP0076QSZZ	AC		D	Pressure plate cover
16	XEBSD30P10000	AA		C	Screw(3x10)
17	PSHEZ0242QSZZ	AK		C	Pressure sheet
18	LRALP0008QSZ1	AQ		C	Base plate rail
19	VHPGP1S73P+-1	AF		B	Photo sensor(GP1S73P)
20	DHAi-0208QSZZ	AF		C	Manual paper feeding PIN harness
21	MSPRD0202QSZZ	AB		C	Manual P-IN actuator spring
22	MLEVP0057QSZZ	AC		C	Manual paper feed P-IN actuator
23	PSHEZ0378QSZZ	AG		C	Separation sheet N
24	LPLTP0297QSZZ	AC		C	Separation plate N
25	PCOVP0088QSZZ	AD		D	Plate cover N
26	MSPRC0270QSZZ	AB		C	Separator plate spring J
27	NKOM-0005QSZZ	AC		C	Cassette guide collar
28	NSFTZ0048QSZZ	AG		C	Cassette collar shaft
29	XBPSD30P08KS0	AA		C	Screw(3x8KS)
31	XEBSD40P10000	AA		C	Screw(4x10)
33	PSHEZ0301QSZZ	AC		C	Rail R side mylar F
34	PSHEZ0302QSZZ	AC		C	Rail R side mylar R
35	LPLTM0276QSZZ	AE		C	Manual feed damper plate
36	PSHEZ0322QSZZ	AD		C	Front separator sheet
37	PSP0-0026QSZZ	AA		C	MF ACT cushion
38	LHLDZ0094QSZZ	AC		C	PS pressure holder
39	MSPRC0292QSZZ	AC		C	PS sub roller spring
40	MSPRD0287QSZZ	AC		C	Paper feed assistance roller SP
41	NROLP0087QSZZ	AD		C	Paper feed assistance roller
42	NSFTZ0064QSZZ	AD		C	Paper feed assistance roller shaft
43	PSHEZ0314QSZ1	AF		C	Toner protect mylar N
501	CGIDM0067RS51	AY		E	Base plate paper feed guide unit
502	CCOVP0053RS53	AW		E	Middle frame cover unit
503	CCOVP0088RS51	AQ		E	Plate cover unit REF

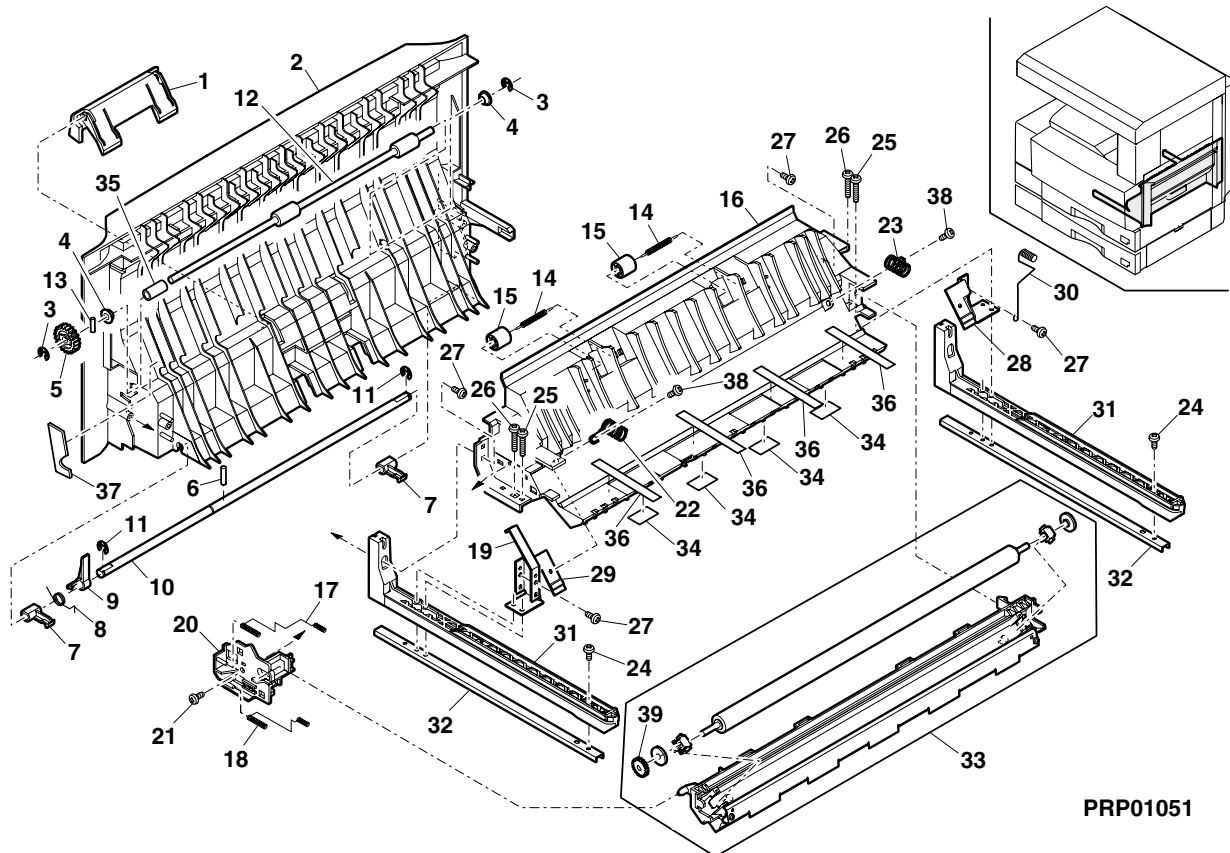
15 Paper transfer section



16 Side door unit

NO.	PARTS CODE	PRICE RANK	NEW MARK	PART RANK	DESCRIPTION
1	MLEVP0058QSZZ	AE		C	Lock lever
2	GDOR-0002QSZZ	AV		D	Right door
3	XRESP40-06000	AA		C	E type ring
4	LBSHZ0303FCZZ	AC		C	M bushing C
5	NGERH0074QSZZ	AD		C	DUP roller driving gear
6	LPI NS0133FCZZ	AA		C	Pin(2x10)
7	PTME-0020QSZZ	AC		C	Lock pawl
8	MSPRD0222QSZZ	AC		C	Lock pawl spring
9	MARMP0043QSZZ	AC		C	Lock pawl arm
10	NSFTZ0055QSZZ	AN		C	Lock pawl shaft
11	XRESP30-06000	AA		C	E type ring
12	NROLP0036QSZZ	AP		C	DUP transport roller
13	XPSSJ20-07000	AA		C	Spring pin(φ2-7)
14	MSPRT0279QSZZ	AC		C	FU PSV spring
15	NROLP1122FCZZ	AF		C	PS upper roller
16	LFRM-0040QSZZ	AV		D	Right door inner
17	MSPRC0249QSZZ	AE		C	High voltage spring B
18	MSPRC0248QSZZ	AE		C	High voltage spring A
19	LPLTM0102QSZZ	AD		C	DUP roller earth plate
20	LHLDZ0084QSZZ	AF		C	TR terminal interface holder
21	XEBSE30P08000	AA		C	Screw(3x8)
22	MSPRC0296QSZZ	AF		C	TR pressure spring R
23	MSPRC0295QSZZ	AF		C	TR pressure spring F
24	XHBSD30P10000	AA		C	Screw(3x10)
25	XHBSD30P16000	AA		C	Screw(3x16)
26	XHBSD30P14000	AA		C	Screw(3x14)
27	XEBSD30P10000	AA		C	Screw(3x10)
28	LPLTM0090QSZZ	AE		C	Inner reinforce plate F
29	LPLTM0091QSZZ	AE		C	Inner reinforce plate R
30	MSPRD0205QSZZ	AE		C	TC grand spring
31	LRALP0004QSZZ	AH		C	Right door rail
32	LPLTM0092QSZZ	AF		C	Rail reinforce plate
33	CHLDR0083RS56	BH	N	E	TC unit
34	PSHEZ0307QSZZ	AB		C	Right door mylar
35	NBRGC0421FCZZ	AC		C	Bearing
36	PSHEZ0330QSZZ	AC		C	Right door DUP mylar
37	PSHEZ0335QSZZ	AB		C	Bearing guide mylar
38	LX-BZ0032QSZZ	AB		C	Screw(3x12)
39	NGERH0163QSZZ	AG		C	TR gear
	(Unit)				
901	CDOR-0002RS54	BK	N	E	Side door unit(Except No.33, 39)

16 Side door unit

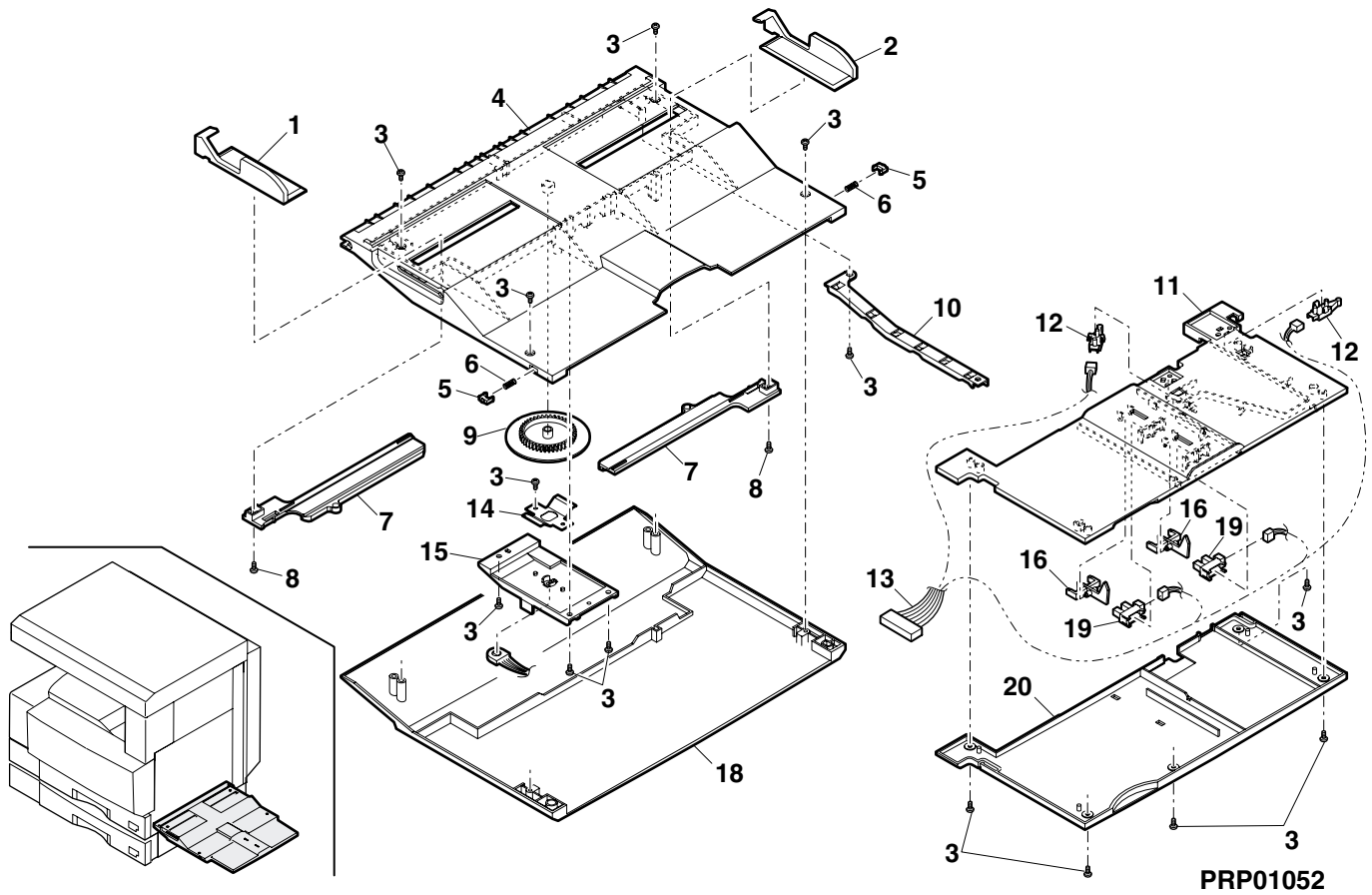


PRP01051

17 Multi manual paper feed tray unit

NO.	PARTS CODE	PRICE RANK	NEW MARK	PART RANK	DESCRIPTION
1	PGiDM0075QSZZ	AF		C	MB side guide F
2	PGiDM0076QSZZ	AF		C	MB side guide R
3	XEBSE30P08000	AA		C	Screw(3x8)
4	LSOU-0024QSZZ	AR		D	Manual paper feed tray 1 upper
5	PTME-0271FCZZ	AD		C	Tray lock pawl
6	MSPRC0250QSZZ	AC		C	Tray lock spring
7	NGERR0140QSZZ	AD		C	Width detect rack
8	XEPSD30P06X00	AA		C	Screw(3x6X)
9	NGERP1385FCZZ	AF		C	Width detect pinion
10	LHLDZ0066QSZZ	AD		C	Harness holder
11	LSOU-0026QSZZ	AR		D	Manual paper feed tray 2 upper
12	QSW-B0003QSZZ	AF		B	Tray detect switch
13	DHAi-0236QSZZ	AN		C	Manual paper feeding unit harness
14	MSPRP2830FCZZ	AA		C	Width detect spring
15	LPLTP0234QSZZ	AE		C	Width detect plate
16	MLEVP0035QSE1	AC		C	Original detect actuator
18	LSOU-0025QSZZ	AS		D	Manual paper feed tray 1 lower
19	VHPGP1S73P+-1	AF		B	Photo sensor(GP1S73P)
20	LSOU-0027QSZZ	AQ		D	Manual paper feed tray 2 lower
	(Unit)				
901	CSOU-0024RS51	BK		E	Manual paper feeding tray unit

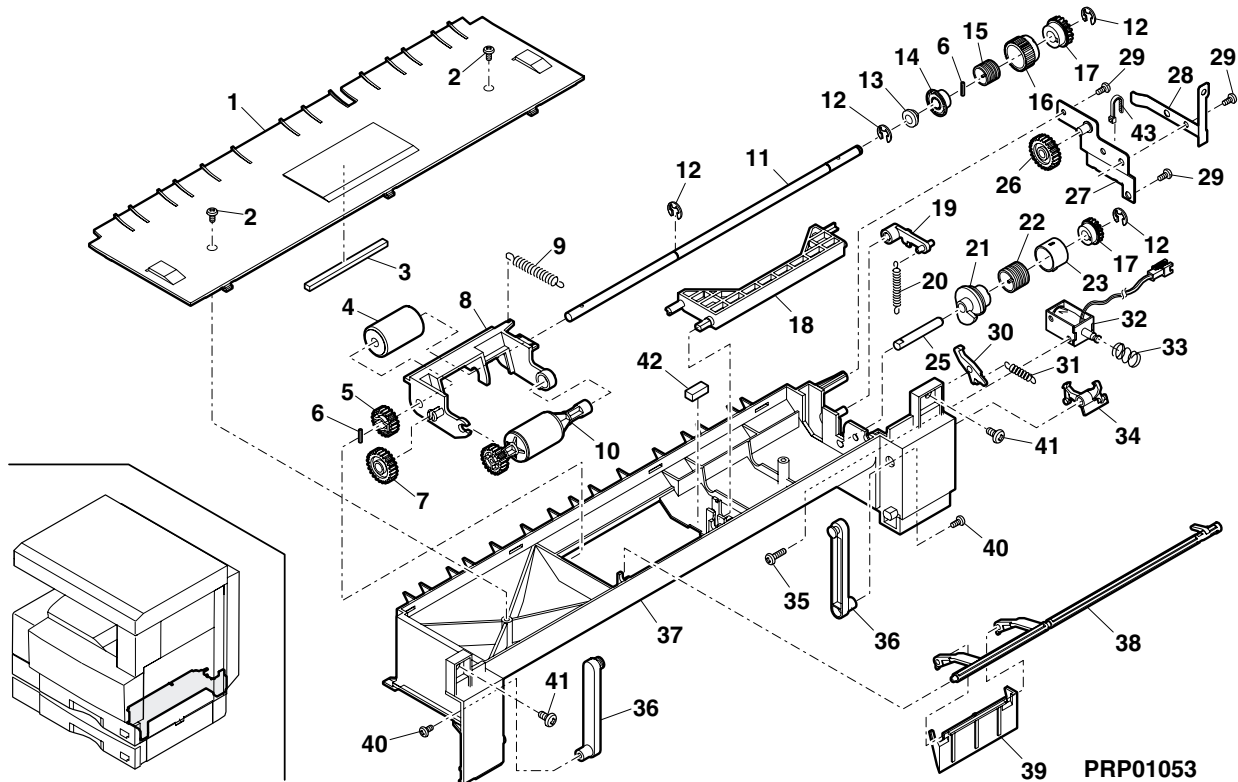
17 Multi manual paper feed tray unit



18 Multi manual paper feed unit

NO.	PARTS CODE	PRICE RANK	NEW MARK	PART RANK	DESCRIPTION
1	PCOVP0055QSZZ	AL		D	Multi frame cover
2	XEBSE30P10000	AA		C	Screw(3x10)
3	PSHEZ0099QSZZ	AC		C	Protect sheet
4	NROLR1051FCZZ	AT		C	Manual feed roller
5	NGERH0495FCZZ	AC		C	Gear(20T)
6	XPSSJ20-07000	AA		C	Spring pin(φ2-7)
7	NGERH0061QSZZ	AD		C	Gear(24T)
8	MARMP0009QSZZ	AF		C	Roller arm
9	MSPRT0264QSZZ	AC		C	Roller arm spring
10	CROLP1115FC02	AN		C	Paper feeding rotor
11	NSFTZ0018QSZ1	AL		C	Roller shaft
12	XRESP40-06000	AA		C	E type ring
13	LBSHZ0303FCZZ	AC		C	M bushing C
14	LBOSZ1508FCZZ	AG		C	Cam boss A2
15	MSPRC1315FCZ1	AD		C	Manual clutch spring A
16	PPiPP0109FCZZ	AB		C	Manual clutch sleeve pipe A
17	LBOSZ1510FCZZ	AF		C	Cam boss A1
18	MARMP0041QSZZ	AE		C	Cam transmission arm
19	MARMP0006QSZZ	AD		C	Arm
20	MSPRT0147QSZZ	AC		C	Stopper arm spring
21	MCAMP0003QSZZ	AD		C	Drive cam
22	MSPRC1316FCZ1	AE		C	MF clutch spring B
23	PPiPP0014QSZZ	AC		C	Cam clutch sleeve
25	NSFTZ0017QSZZ	AG		C	Manual feed cam shaft
26	NGERH0972FCZZ	AB		C	Gear(27T)
27	CPLTM0242QS01	AF		C	Paper feed plate
28	MSPRD0092QSZZ	AE		C	MF earth spring
29	XEBSD30P08000	AA		C	Screw(3x8)
30	PTME-0178FCZZ	AC		C	Manual paper feeding pawl A
31	MSPRC2175FCZZ	AA		C	Pawl A spring
32	RPLU-0028QSZZ	AM		B	Multi-field solenoid
33	MSPRC1318FCZ1	AA		C	Spring B
34	PTME-0179FCZZ	AC		C	Manual paper feeding pawl B
35	XBBSD30P10000	AA		C	Screw(3x10)
36	MARMP0027QSZ1	AE		C	Manual paper feed tray arm
37	LFRM-0048QSZ1	AT		D	Multi frame
38	MARMP0008QSZZ	AH		C	Stopper arm
39	LPLTP0056QSZZ3	AD		C	Stopper plate
40	XEPSD30P06X00	AA		C	Screw(3x6X)
41	XEBSD30P10000	AA		C	Screw(3x10)
42	PSHEZ0241QSZZ	AB		C	Manual feed protection sheet
43	LBNDJ0013FCZ1	AA		C	Wire band
	(Unit)				
901	CFRM-0048RS51	BG		E	Multi manual paper feeding unit(Except No.36,40,41,43)

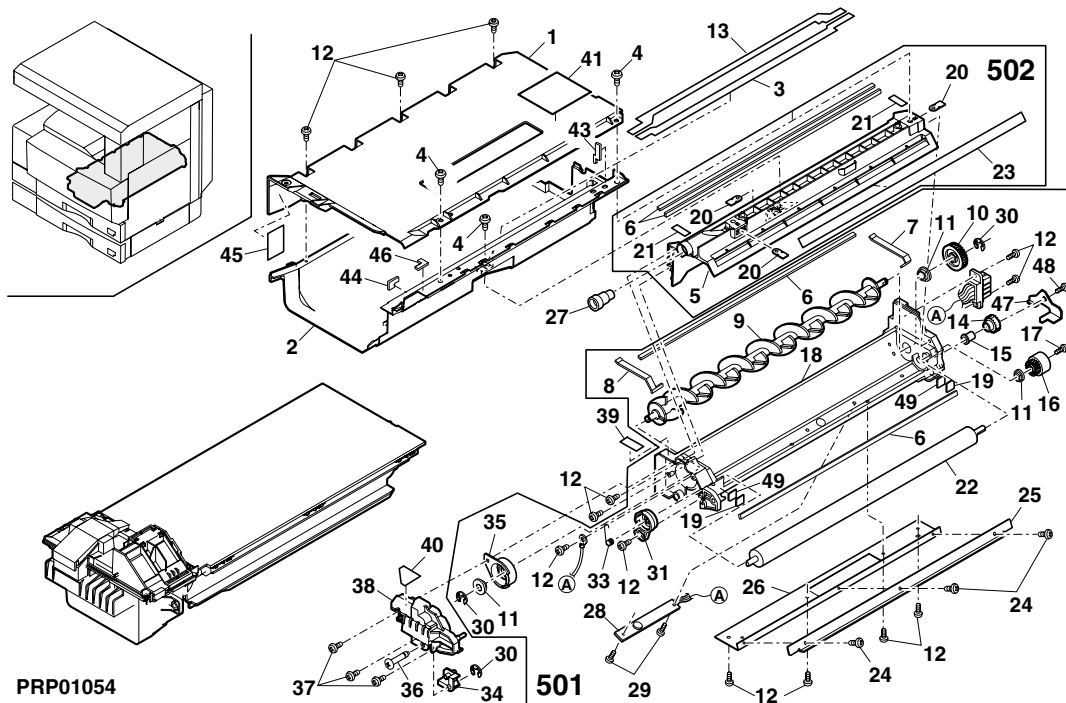
18 Multi manual paper feed unit



19 DV unit

NO.	PARTS CODE	PRICE RANK	NEW MARK	PART RANK	DESCRIPTION
1	PGiDM0085QSZZ	AP		C	TN guide U
2	PGiDM0086QSZZ	AQ		C	TN guide D
3	PSEL-0035QSZZ	AE		C	TG seal
4	XEBSD30P08000	AA		C	Screw(3x8)
5	PCOVP0072QSZZ	AK		D	DV cover U
6	PMLT-0002YSZZ	AC		C	DV-TH cushion
7	PMLT-0006YSZZ	AB		C	DV side cushion R
8	PMLT-0005YSZZ	AB		C	DV side cushion F
9	NROLP0072QSZZ	AP		C	DMX roller
10	NGERH0135QSZZ	AD		C	DMX gear(28T)
11	NBRGC0020QSZZ	AH		C	DMX Bearing
12	XEBSD30P08000	AA		C	Screw(3x8)
13	PSEL-0037QSZZ1	AG		C	TG seal
14	NGERH0001YSZZ	AD		C	DV idle gear(20T)
15	NBRGC0021QSZZ	AD		C	DID Bearing
16	NGERH0136QSZZ	AD		C	MG gear(18T)
17	XBPSD30P06KS0	AA		C	Screw(3x6KS)
18	PBOX-0001YS11	AP		D	DV BOX
19	PSHEP0035YSZZ	AB		C	DV side seat N
20	LPLTM6022FCZZ	AC		C	M4 plate
21	PSEL-0025QSZZ	AA		C	DVC seal
22	NROLM0071QSZZ	AZ		C	MG roller
23	PSEL-0132QSZZ	AG		C	DV blade sheet
24	XBPBZ30P03000	AB		C	Screw(3x3)
25	LPLTM0001YSZZ	AN		C	Doctor
26	LPLTM0002YSZZ1	AP		C	Doctor reinforce plate
27	PSEN-0001QSZZ	AC		C	DV cap F
28	RDTCM0011QSZZ	AZ		B	ATC sensor
29	XUBUZ30P06000	AA		C	Screw(3x6)
30	XRESP40-06000	AA		C	E type ring
31	LHLDR0072QSZZ	AC		C	MG holder
33	MSPRK0001YSZZ	AB		C	Bias spring
34	PSPAP0023QSZZ	AC		C	DV spacer F
35	LHLDZ0001YSZZ	AD		C	Bearing holder
36	LX-BZ0026QSZZ	AD		C	Screw
37	XEBSD30P10000	AA		C	Screw(3x10)
38	PCOVP0073QSZZ	AG		D	DV cover F
39	PSEL-0114QSZZ	AC		C	Seal F
40	PSEL-0115QSZZ	AD		C	Seal F2
41	TCAUH0016QSZZ	AC		C	Label
43	PSEL-0117QSZZ	AB		C	TG-SEL-R
44	PSEL-0124QSZZ	AB		C	TG-SEL-F
45	PSPAP0036QSZZ	AC		C	TGU-SPA-FL
46	PSEL-0116QSZZ	AB		C	DVC-SEL-F
47	LANGF0013QSZZ	AD		C	DID plate
48	XEBSD26P05000	AA		C	Screw(2.6x5)
49	PSHEP0324QSZZ	AC		C	DVB-SHE-FBR
501	CBOX-0001JS58	BM		E	DV box unit
502	CCOVP0072RS54	AP		E	DV cover unit

19 DV unit

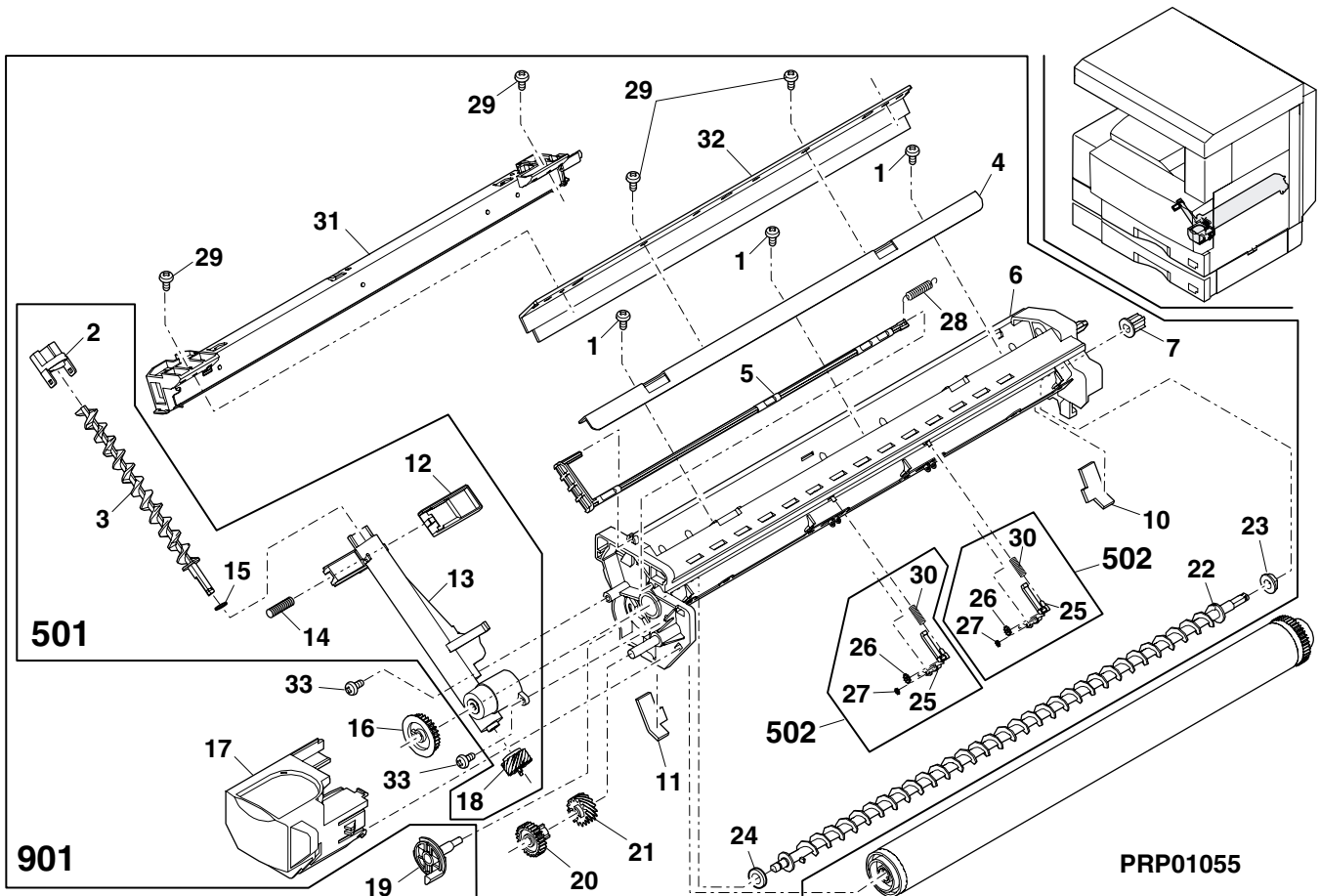


PRP01054

20 Process unit

NO.	PARTS CODE	PRICE RANK	NEW MARK	PART RANK	DESCRIPTION
1	XEBSD30P08000	AA		C	Screw(3×8)
2	PCAPH0009QSZZ	AC		D	Toner pipe cap
3	NSRW-0002QSZZ	AE		C	Transport pipe screw
4	LPLTM0241QSZZ	AF		C	Process reinforce plate
5	MLEVP0065QSZZ	AE		C	Separator pawl lever
6	CFRM-0049QS61	BP		D	Process frame unit
7	NCPL-0003QSZZ	AC		C	Screw cupring
10	PSEL-0071QSZZ	AF		C	Seal R
11	PSEL-0070QSZZ	AF		C	Seal F
12	PSHT-0004QSZ1	AC		C	Toner pipp shuter
13	PPiPP0015QSZZ	AG		C	Toner pipe
14	MSPRC0045QSZZ	AA		C	Toner pipe spring
15	PSPAZ0696FCZZ	AC		C	P cap spacer
16	NGERH0036QSZZ	AC		C	Transport screw gear(30T)
17	PCOVP0057QSZZ	AG		D	Drum cover
18	NGERH0039QSZZ	AE		C	Transport pipe gear(14T)
19	LFI X-0014QSZZ	AE		C	Drum fixing plate A
20	NGERH0037QSZZ	AC		C	Idle gear(26T)
21	NGERH0038QSZZ	AC		C	Transport pipe gear(15T)
22	NSFTZ0020QSZZ	AL		C	Transport screw
23	NBRGP0299FCZZ	AC		C	DV bearing
24	PMLT-0018QSZ1	AC		C	Transport screw cushion
25	PTME-0021QSZZ	AK		C	Separator pawl
26	LX-WZ0329FCZZ	AB		C	Washer
27	LX-RZ0001QSZZ	AB		C	Starling
28	MSPRT0214QSZZ	AB		C	Lever spring
29	XHBS230P08000	AA		C	Screw(3×8)
30	MSPRC0213QSZZ	AB		C	Separater pawl spring
31	CHLDZ0035RS53	AZ		E	MC holder unit
32	UCLEZ0011QSZZ	AT		D	Cleaning blade
33	XEBSE30P10000	AA		C	Screw(3×10)
501	CPiPP0015QS51	AU		E	Toner pipe unit
502	CTME-0021RS51	AK		E	Separeter pawl unit
	(Unit)				
901	CFRM-0049RS51	BK		E	Process unit(Except No.19)

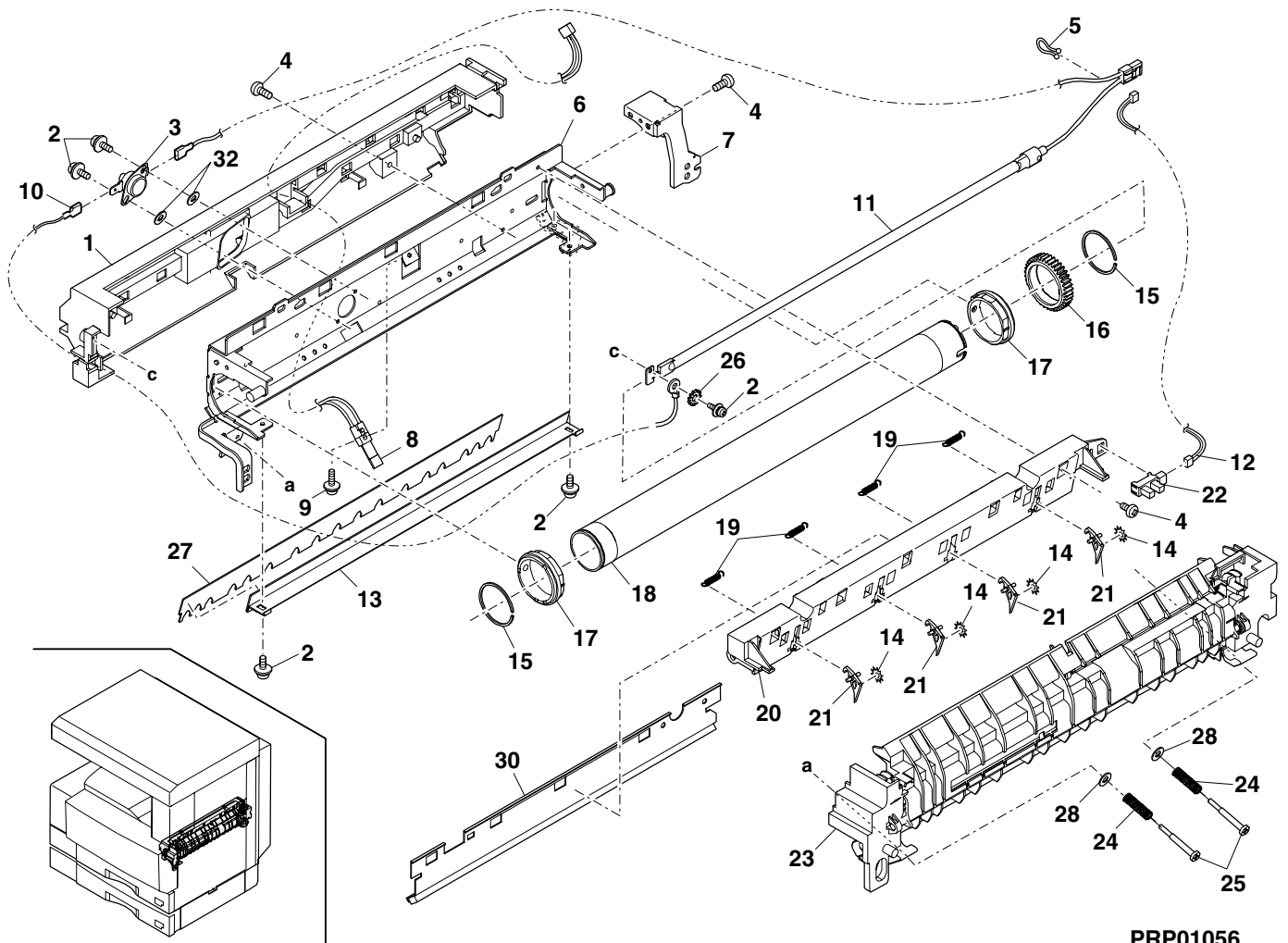
20 Process unit



21 Fusing unit 1

NO.	PARTS CODE	PRICE RANK	NEW MARK	PART RANK	DESCRIPTION
1	PCOVP0083QSZZ	AW		D	Fusing cover
2	XBPSD30P06KS0	AA		C	Screw(3x6KS)
3	RTHM-0003QSZZ	AL		B	Thermostat
4	XBBSF30P08000	AA		C	Screw(3x8)
5	LHLDW0086QSZZ	AB		C	Harness ring
6	CFRM-0059QS04	AZ		D	Fusing upper frame
7	LHLDZ0082QSZZ	AH		C	Rump holder
8	RDTCT0010QSZZ	AN		B	Thermistor
9	XBPSD30P10KS0	AB		C	Screw(3x10KS)
10	DHAi-0065QSZZ	AF		C	Fusing harness
11	RLMPU0019QSZZ	BA		B	Heater lamp
12	DHAi-0221QSZZ	AD		C	DUP OUT sensor harness
13	PGiDH0092QSZ1	AF		C	Fusing fornt paper guide
14	LX-WZ0001QSZZ	AC		C	Washer
15	LSTPF0172FCZ1	AA		C	Roller stopper
16	NGERH0160QSZZ	AR		C	Fusing gear(38T)
17	CBRGP0010QS01	AN		C	FU bearing
18	NROLR0088QSZZ	BB		C	Heat roller
19	MSPRT0257QSZ1	AC		C	Upper pawl spring
20	PGiDM0091QSZ1	AQ		C	Fusing rear paper guide
21	PTME-0024QSZZ	AN		C	Upper separator pawl
22	VHPGP1S73P+-1	AF		B	Photo sensor(GP1S73P)
23	CFRM-0060RS52	BN		E	Fusing lower frame unit
24	MSPRC0269QSZ1	AD		C	Pressure spring NALPD
25	LX-BZ0028QSZZ	AC		C	Screw
26	LX-WZ7021SCZZ	AA		C	Washer
27	PSHEZ0266QSZ1	AK		C	Sheet
28	XWHS40-08090	AA		C	Washer
30	CPLTM0282QS01	AS		C	FU felt fixing plate
32	LX-WZ0015GCZZ	AC		C	Washer(0.3)
	(Unit)				
901	DUNTW0171RS21	BZ	N	E	Fusing unit

21 Fusing unit 1

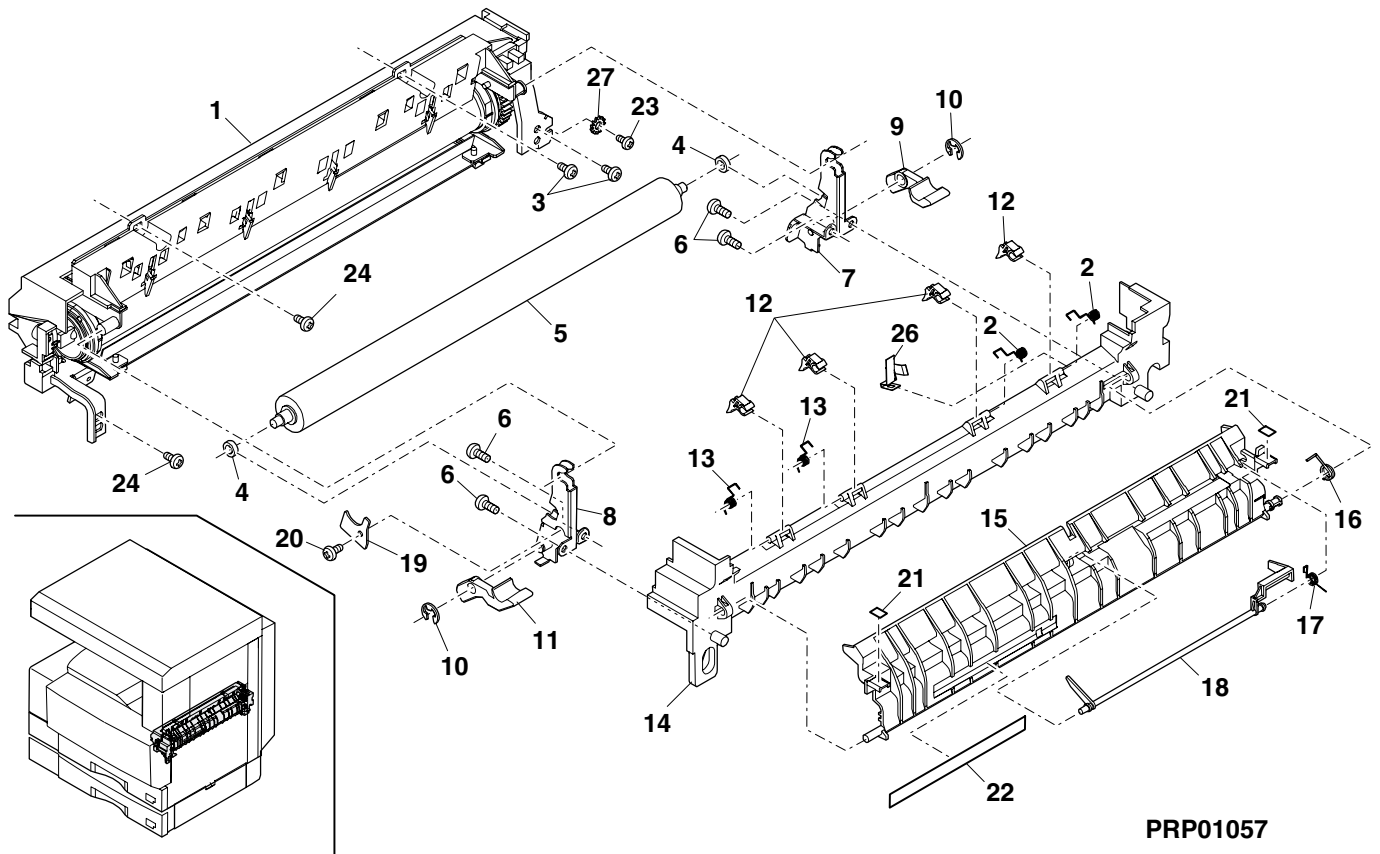


PRP01056

22 Fusing unit 2

NO.	PARTS CODE	PRICE RANK	NEW MARK	PART RANK	DESCRIPTION
1	CFRM-0059RS56	BT	N	D	Fusing upper frame unit
2	MSPRD0255QSZZ	AC		C	Lower pawl spring R
3	XEBSD40P10000	AA		C	Screw(4x10)
4	NBRGY0022QSZZ	AL		C	FU pressure bearing
5	NROLR0081QSZZ	BD		C	Pressure roller
6	XEBSD30P08000	AA		C	Screw(3x8)
7	CLEVF0088QS02	AM		C	Pressure lever R
8	CLEVF0087QS02	AM		C	Pressure lever F
9	MLEVP0085QSZZ	AD		C	Pressure release lever R
10	XRESP50-06000	AA		C	E type ring
11	MLEVP0084QSZZ	AD		C	Pressure release lever F
12	PTME-0014QSZZ	AK		C	Lower separator pawl
13	MSPRD0254QSZZ	AC		C	Lower pawl spring F
14	LFRM-0060QSZZ	AS		D	Fusing lower frame
15	LPLTP0243QSZZ	AM		C	Reverse gate
16	MSPRD0253QSZZ	AC		C	Reverse gate spring
17	MSPRD0252QSZZ	AC		C	DMC spring
18	MLEVP0086QSZZ	AD		C	DMC actuator
19	LPLTM0250QSZZ	AC		C	Shaft support plate
20	XBPSD30P06KS0	AA		C	Screw(3x6KS)
21	TLABH0289QSZZ	AA		C	Green label
22	TLABH0308QSZZ	AF		C	Heater temperature caution label
23	XHBSE30P08000	AA		C	Screw(3x8)
24	LX-BZ0029QSZZ	AC		C	Screw
26	LPLTM0266QSZZ	AE		C	Pressure R earth plate
27	LX-WZ7021SCZZ	AA		C	Washer
	(Unit)				
901	DUNTW0171RS21	BZ	N	E	Fusing unit(Except No.3,23,24,27)

22 Fusing unit 2

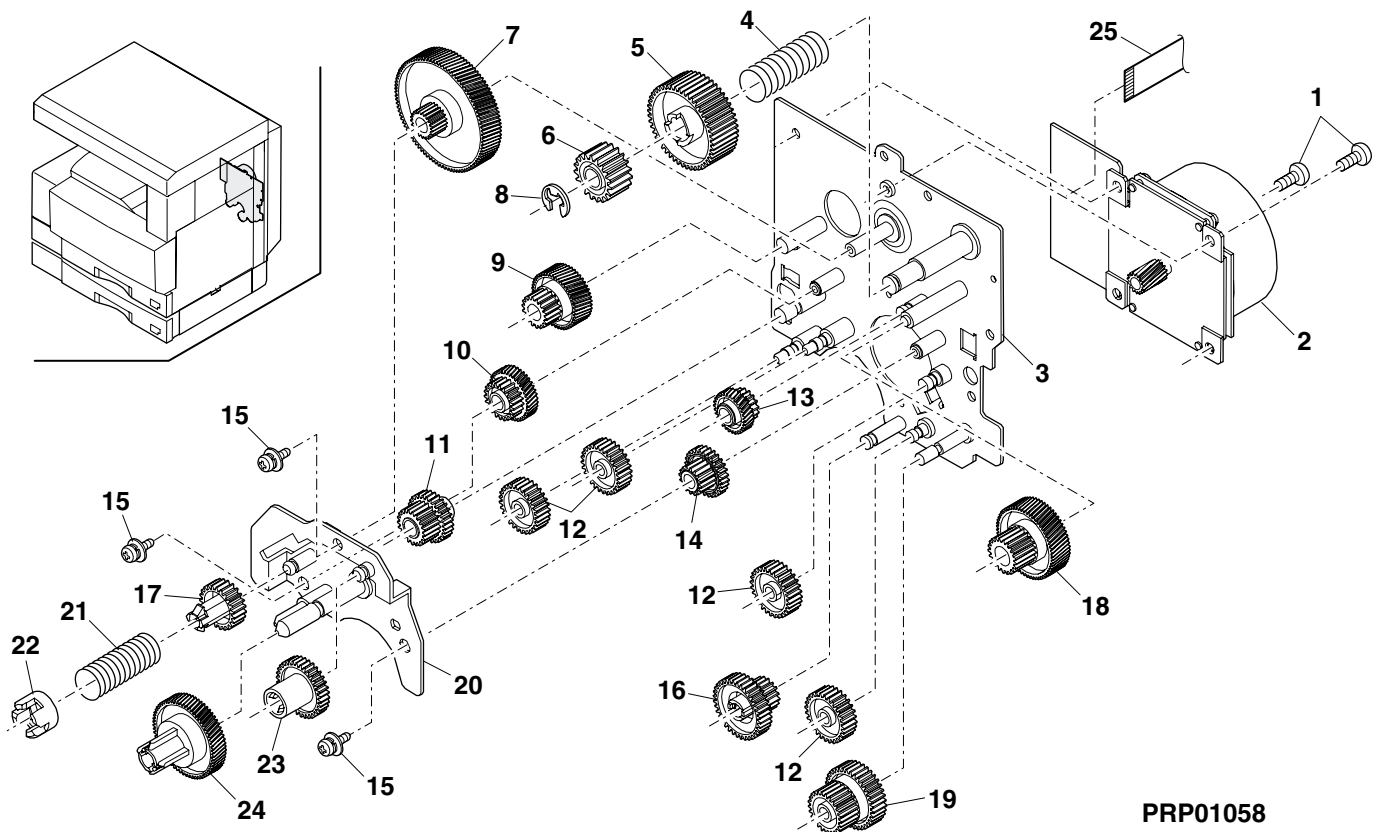


PRP01057

23 Drive unit

NO.	PARTS CODE	PRICE RANK	NEW MARK	PART RANK	DESCRIPTION
1	XBPSD40P08K00	AA		C	Screw(4x8K)
2	RMOTP0025QSNA	BF		B	Main motor
3	CPLTM0160QS01	AU		C	Main drive plate
4	MSPRC0200QSZZ	AB		C	Ratchet spring
5	NGERH0153QSZZ	AH		C	Ratchet gear(49T)
6	NGERH0090QSZZ	AE		C	Ratchet gear(19T)
7	NGERH0084QSZZ	AK		C	Gear(94/21T)
8	XRESP70-08000	AA		C	E type ring
9	NGERH0085QSZZ	AE		C	Gear(46/18T)
10	NGERH0086QSZZ	AD		C	Gear(39/21T)
11	NGERH0087QSZZ	AE		C	Gear(28/21T)
12	NGERH0010QSZZ	AD		C	Gear(28T)
13	NGERH0092QSZZ	AD		C	Gear(30/16T)
14	NGERH0093QSZZ	AD		C	Gear(28/16T)
15	XBPSD30P06KS0	AA		C	Screw(3x6KS)
16	NGERH0095QSZZ	AE		C	Gear
17	NGERH0011QSZZ	AD		C	MG gear
18	NGERH0152QSZZ	AH		C	N gear(59/21T)
19	NGERH0096QSZZ	AE		C	Gear(37/25T)
20	CPLTM0161QS01	AN		C	Sub drive plate
21	MSPRC0262QSZZ	AC		C	MG spring
22	NCPL-0009QSZZ	AC		C	MG cupring
23	NGERH0091QSZZ	AE		C	Cupring(34T)
24	NGERH0083QSZZ	AH		C	Drum cupring gear
25	DHAI-0216QSZZ	AD		C	Main motor harness
	(Unit)				
901	CPLTM0160RS52	BP		E	Drive unit

23 Drive unit

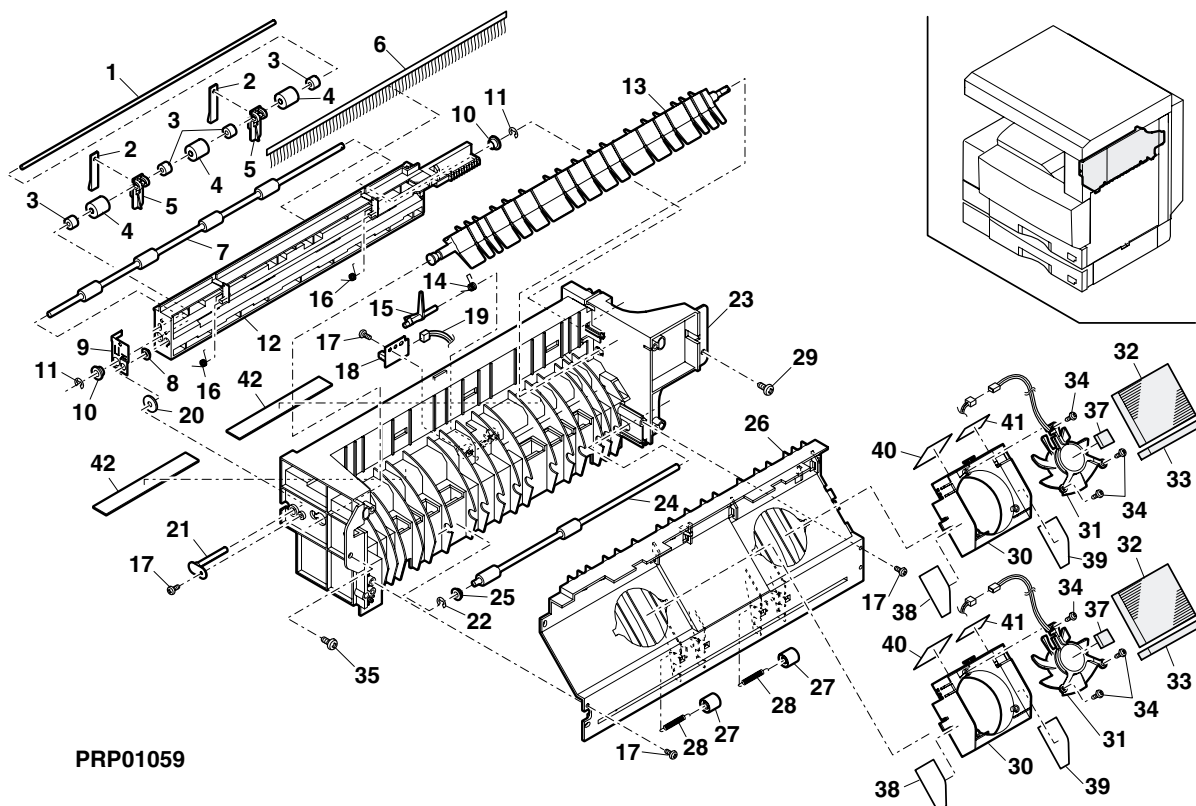


PRP01058

24 1st delivery paper unit 1

NO.	PARTS CODE	PRICE RANK	NEW MARK	PART RANK	DESCRIPTION
1	NSFTZ0042QSZZ	AF		C	Delivery sub roller shaft
2	PGUMM0005QSZZ	AD		C	Paddler
3	NROLP0049QSZZ	AC		C	Delivery sub roller
4	NROLP0079QSZZ	AC		C	Delivery sub roller (Large)
5	LBRC-0003QSZZ	AD		C	P-OUT bracket
6	PBRSR0019QSZZ	AK		B	Discharger brush LP
7	NROLM0037QSZZ	AR		C	Delivery roller C
8	NBRGY2122SCZZ	AB		C	Transport roller bearing
9	LPLTM0195QSZZ	AC		C	Delivery earth plate A
10	NBRGM0501FCZZ	AB		C	Bearing
11	XRESP50-06000	AA		C	E type ring
12	LHLDZ0058QSZZ	AR		C	Delivery roller holder
13	LPLTP0185QSZZ	AL		C	Delivery change gate
14	MSPRD0224QSZZ	AB		C	Delivery actuator spring
15	MLEVP0055QSZZ	AC		C	Delivery actuator
16	MSPRT0197QSZZ	AB		C	Delivery sub spring
17	XEBSD30P08000	AA		C	Screw(3x8)
18	CPWBF0083RS51	AU		E	Sensor PWB
19	DHAi-0264QSZZ	AK		C	1st delivery harness 2
20	PSPO-0021QSZZ	AD		C	Shifter cution
21	CSFTZ0023QS01	AH		C	Shifter shaft
22	XRESP40-06000	AA		C	E type ring
23	LFRM-0038QSZZ	AX		D	Delivery frame
24	NROLR0051QSZZ	AL		C	DUP delivery roller
25	LBSHZ0303FCZZ	AC		C	M bushing C
26	PGIDM0065QSZZ	AY		C	Delivery upper paper guide
27	NROLP1122FCZZ	AF		C	PS upper roller
28	MSPRT0229GCAZ	AC		C	FU spring R
29	XHBSE40P10000	AA		C	Screw(4x10)
30	PDUC-0003QSZZ	AG		C	Cooling fan duct
31	NFANP0004QSZZ	BB		B	Cooling fan
32	PfiLZ0004QSZZ	AM		B	Ozone filter
33	PMLT-0027QSZZ	AC		C	Cleaning fan cushion
34	XEBSD20P06000	AA		C	Screw(2x6)
35	LX-BZ0780FCZZ	AC		C	Screw
37	PMLT-0066QSZZ	AA		C	Delivery fan cushion
38	LPLTM0271QSZZ	AK		C	Delivery fan plate side B
39	LPLTM0270QSZZ	AK		C	Delivery fan plate side A
40	LPLTM0268QSZZ	AF		C	Delivery fan plate upper B
41	LPLTM0267QSZZ	AE		C	Delivery fan plate upper A
42	LPLTM0274QSZZ	AH		C	Delivery frame reinforce plate
	(Unit)				
901	CFRM-0038RS51	BX		E	1st delivery unit(Include Block.25,Except No.29,No35)

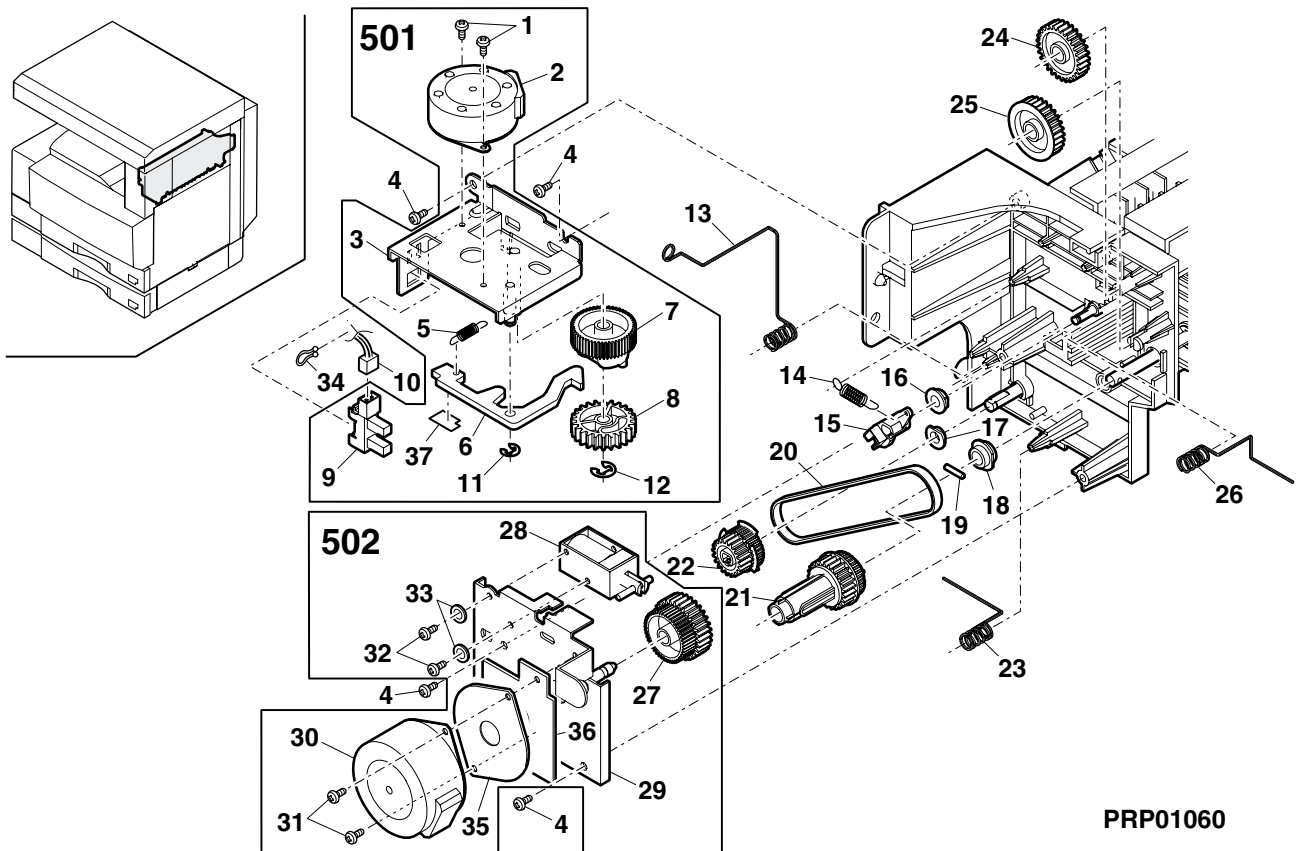
24 1st delivery paper unit 1



25 1st delivery paper unit 2

NO.	PARTS CODE	PRICE RANK	NEW MARK	PART RANK	DESCRIPTION
1	XHBSD30P10000	AA		C	Screw(3x10)
2	RMOTP0029QSNA	AV		B	Shifter motor
3	CPLTM0184QS02	AG		C	Shifter drive plate
4	XEBSD30P08000	AA		C	Screw(3x8)
5	MSPRD0225QSZZ	AC		C	Stopper return spring
6	LSTPP0003QSZ1	AC		C	Shifter stopper
7	NGERH0068QSZ1	AD		C	Shifter gear(50T)
8	NGERH0067QSZZ	AD		C	Shifter gear(24T)
9	VHPGP1A71A1-1	AG		B	Photo sensor(GP1A71A1)
10	DHAi-0264QSZZ	AK		C	1st delivery harness 2
11	XRESP30-06000	AA		C	E type ring
12	XRESP40-06000	AA		C	E type ring
13	MSPRD0216QSZZ	AD		C	Shifter earth spring
14	MSPRT0217QSZ1	AC		C	Gate return spring
15	LBRC-0002QSZZ	AD		C	Gate bracket
16	LBSHZ0303FCZZ	AC		C	M bushing C
17	NBRGY2122SCZZ	AB		C	Transport roller bearing
18	NBRGC0019QSZZ	AD		C	Bearing
19	LPI NS0258FCZZ	AA		C	Spring pin(φ3-10)
20	NBLTT0024QSZZ	AG		B	Drive belt 240
21	NGERH0080QSZZ	AE		C	Delivery drive gear(25/31T)
22	NGERH0082QSZZ	AD		C	DUP delivery gear(20/31T)
23	MSPRD0198QSZZ	AC		C	Delivery earth spring B
24	NGERH0113QSZZ	AC		C	Idle gear B(29T)
25	NGERH0114QSZZ	AC		C	Idle gear C(29T)
26	MSPRD0196QSZZ	AC		C	Delivery earth spring A
27	NGERH0155QSZZ	AD		C	Gear(31/39T)
28	RPLU-0027QSZZ	AU		B	Change gate solenoid
29	CBRC-0004QS03	AF		C	DUP motor fixing bracket
30	RMOTP0024QSZZ	AW		B	DUP motor
31	XHBSD30P08000	AA		C	Screw(3x8)
32	XBBSD26P03000	AA		C	Screw(2.6x3)
33	XWHS30-05070	AA		C	Washer
34	LHLDW1334FCZZ	AA		C	Wire holder
35	PSHEZ0316QSZZ	AD		C	Delivery motor sheet
36	PRDAZ0002QSZZ	AD		C	Delivery motor radiation plate
37	PSHEZ0341QSZZ	AA		C	Shifter stop mylar
501	CPLTM0184RS51	AY		E	Shifter unit
502	CBRC-0004RS51	BA		E	DUP motor fixing bracket unit
	(Unit)				
901	CFRM-0038RS51	BX	N		1st delivery unit(Include Block.24)

25 1st delivery paper unit 2

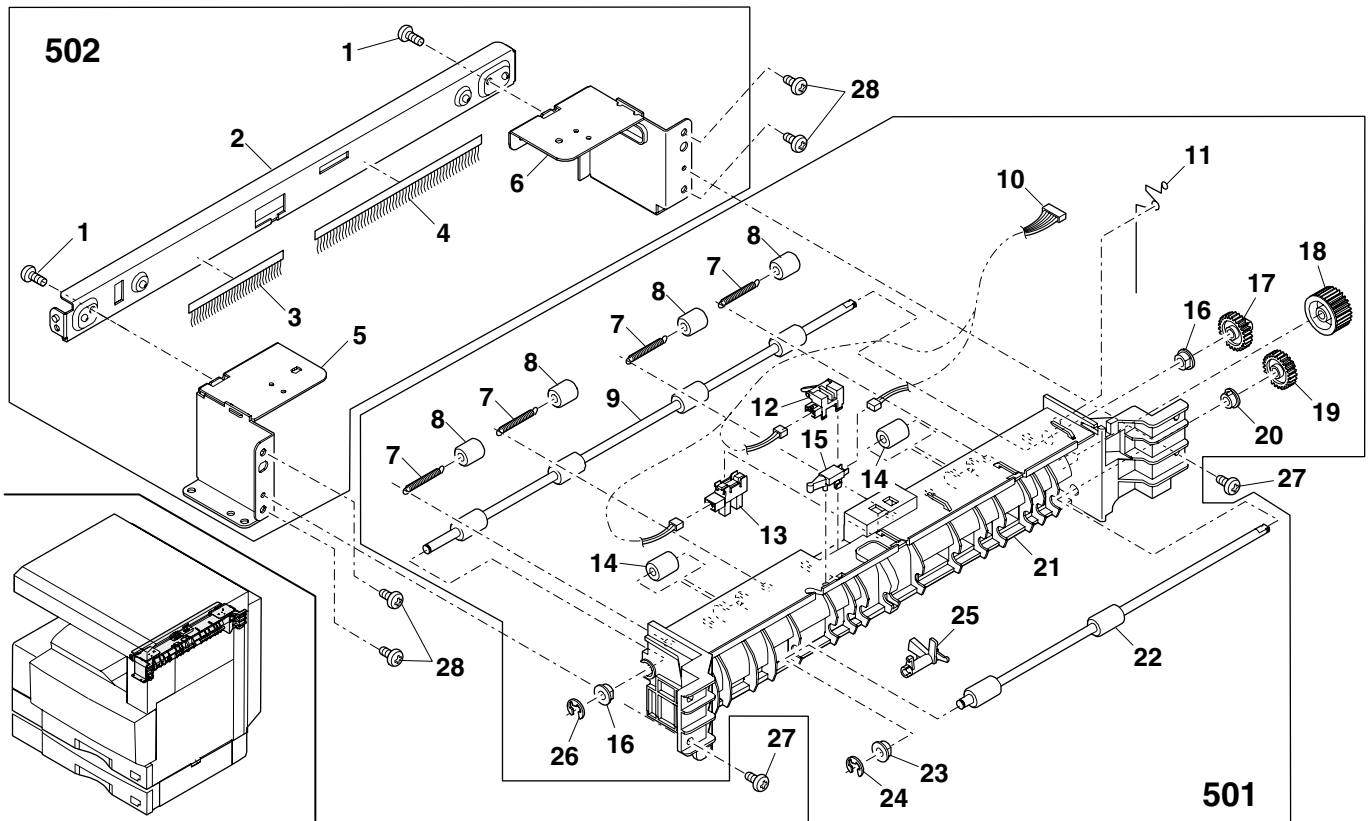


PRP01060

26 2nd delivery paper unit

NO.	PARTS CODE	PRICE RANK	NEW MARK	PART RANK	DESCRIPTION
1	XHBSD40P10000	AA		C	Screw(4×10)
2	CPLTM0216QS01	AH		C	DID rail assistance plate
3	PBRSR0021QSZ1	AG		B	Discharger brush S
4	PBRSR0020QSZ1	AH		B	Discharger brush L
5	LFRM-0047QSZZ	AG		D	Delivery frame
6	LFRM-0058QSZZ	AG		D	Delivery frame R
7	MSPRT0229GCAZ	AC		C	FU spring R
8	NROLP1122FCZZ	AF		C	PS upper roller
9	NROLR0056QSZ1	AN		C	Delivery roller
10	DHAI-0242QSZZ	AG		C	2nd delivery harness
11	MSPRD0218QSZZ	AD		C	Delivery earth spring
12	VHPGP1S44S/-1	AK		B	Photo sensor(GP1S44S)
13	VHPGP1S73P+-1	AF		B	Photo sensor(GP1S73P)
14	NROLP0079QSZZ	AC		C	Delivery roller
15	QSW-B0003QSZZ	AF		B	Tray detect switch
16	NBRGM0501FCZZ	AB		C	Bearing
17	NGERH0111QSZZ	AC		C	Drive gear A(25T)
18	NGERH0110QSZZ	AE		C	Idle gear A(29T)
19	NGERH0112QSZZ	AC		C	Drive gear B(25T)
20	NBRGY2122SCZZ	AB		C	Transport roller bearing
21	PGIDM0072QSZZ	AU		C	Delivery lower paper guide
22	NROLR0051QSZ1	AL		C	DUP delivery roller
23	LBSHZ0303FCZZ	AC		C	M bushing C
24	XRESP40-06000	AA		C	E type ring
25	MLEVP0067QSZ1	AC		C	Delivery actuator
26	XRESP50-06000	AA		C	E type ring
27	XHBSD30P08000	AA		C	Screw(3×8)
28	XHBSE40P10000	AA		C	Screw(4×10)
501	CGIDM0072RS61	BF		E	Delivery paper guide unit
502	CFRM-0047QS51	AZ		E	Delivery frame unit
	(Unit)				
901	CGIDM0072RS51	BF		E	2nd delivery unit(Except No.28)

26 2nd delivery paper unit

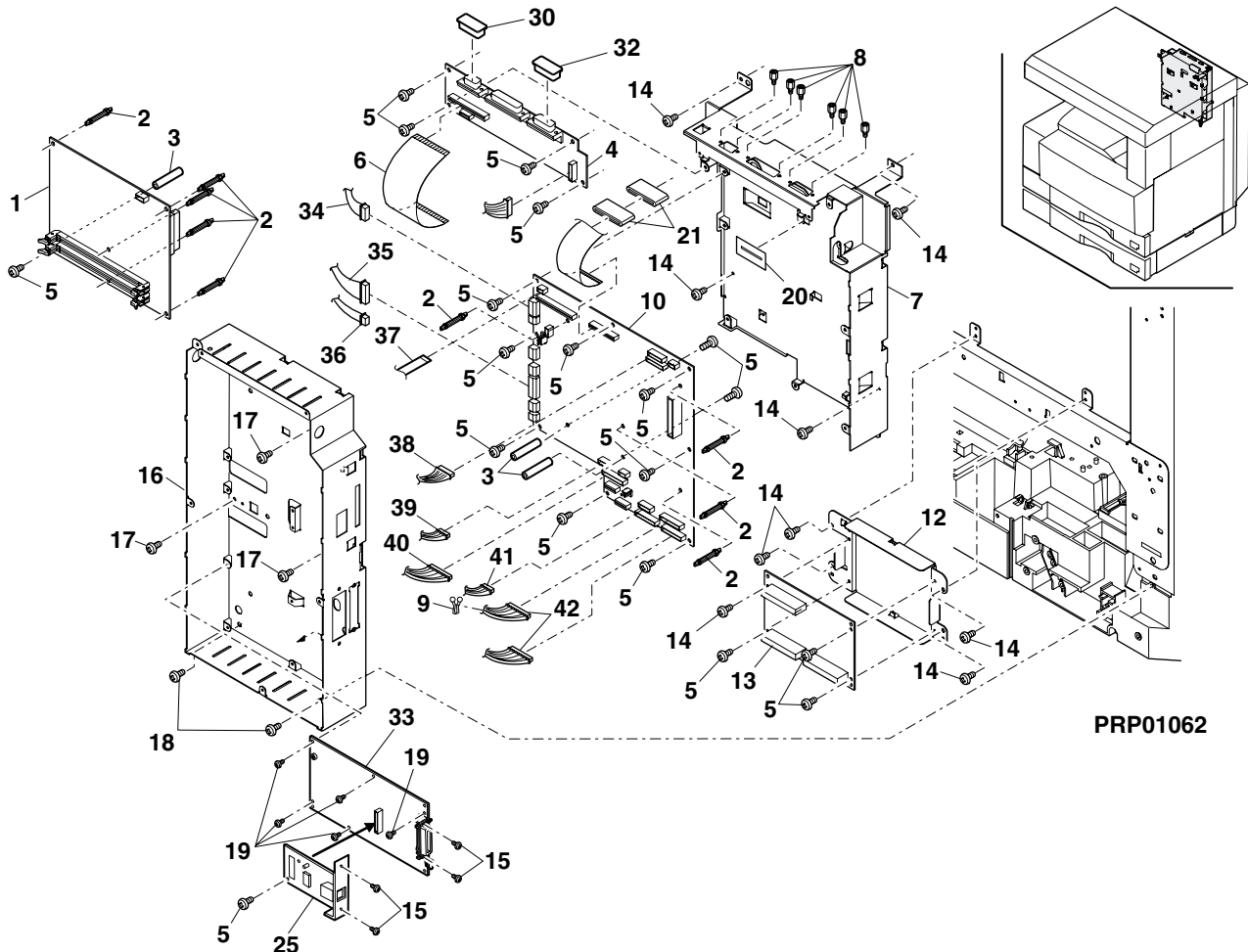


PRP01061

27 PWB section

NO.	PARTS CODE	PRICE RANK	NEW MARK	PART RANK	DESCRIPTION
1	CPWBX01111QS35	CK	N	E	IMC PWB
2	PSPAN0025QSZZ	AE		C	Support post 16
3	PSPAF0030QSZZ	AG		C	Spacer
4	CPWBF0080QSE2	BF		E	Option connector PWB
5	XBBSF30P08000	AA		C	Screw(3x8)
6	DHAi-0219QSZZ	AF		C	OP interface PWB harness
7	LHLDZ0062QSZZ	AT		C	MCU PWB holder
8	LX-BZ0031QSZZ	AC		C	Screw
9	LHLDW0086QSZZ	AB		C	Harness ring
10	CPWBX0110QS44	CG	N	E	MCU PWB
12	LHLDZ0071QSZZ	AG		C	Mother bord holder
13	CPWBX0090QSE1	BB		E	Mother bord
14	XHBSE30P08000	AA		C	Screw(3x8)
15	LX-BZ0024QSZZ	AA		C	Screw
16	LHLDZ0070QSZZ	AW		C	OP PWB holder
17	XHBSE30P08000	AA		C	Screw(3x8)
18	XEBSE40P10000	AA		C	Screw(4x8)
19	XBPSD30P08KS0	AA		C	Screw(3x8)
20	PSHEZ0269QSZZ	AC		C	CCD harness sheet
21	RCORF0002QSZZ	AE		C	Core
25	CPWBN0120QS31	BB	N	E	USB PWB
30	PCAPH0023FCZZ	AC		D	15P protect cap
32	PCAPH1005ACZZ	AC		D	9P protect cap
33	CPWBN0118QS32	BP	N	E	GDI PWB
34	DHAi-0242QSZZ	AG		C	2nd delivery harness
35	DHAi-0264QSZZ	AK		C	1st delivery harness 2
36	DHAi-0221QSZZ	AD		C	DUP OUT sensor harness
37	DHAi-0200QSZZ	AS		C	CL harness
38	DHAi-0203QSZZ	AL		C	Optical sensor harness
39	DHAi-0232QSZZ	AH		C	LSU interface harness
40	DHAi-0237QSZZ	AR		C	Drive/Manual paper feeding harness
41	DHAi-0238QSZZ	AH		C	Cassette sensor PWB harness
42	DHAi-0222QSZZ	AR		C	PS harness

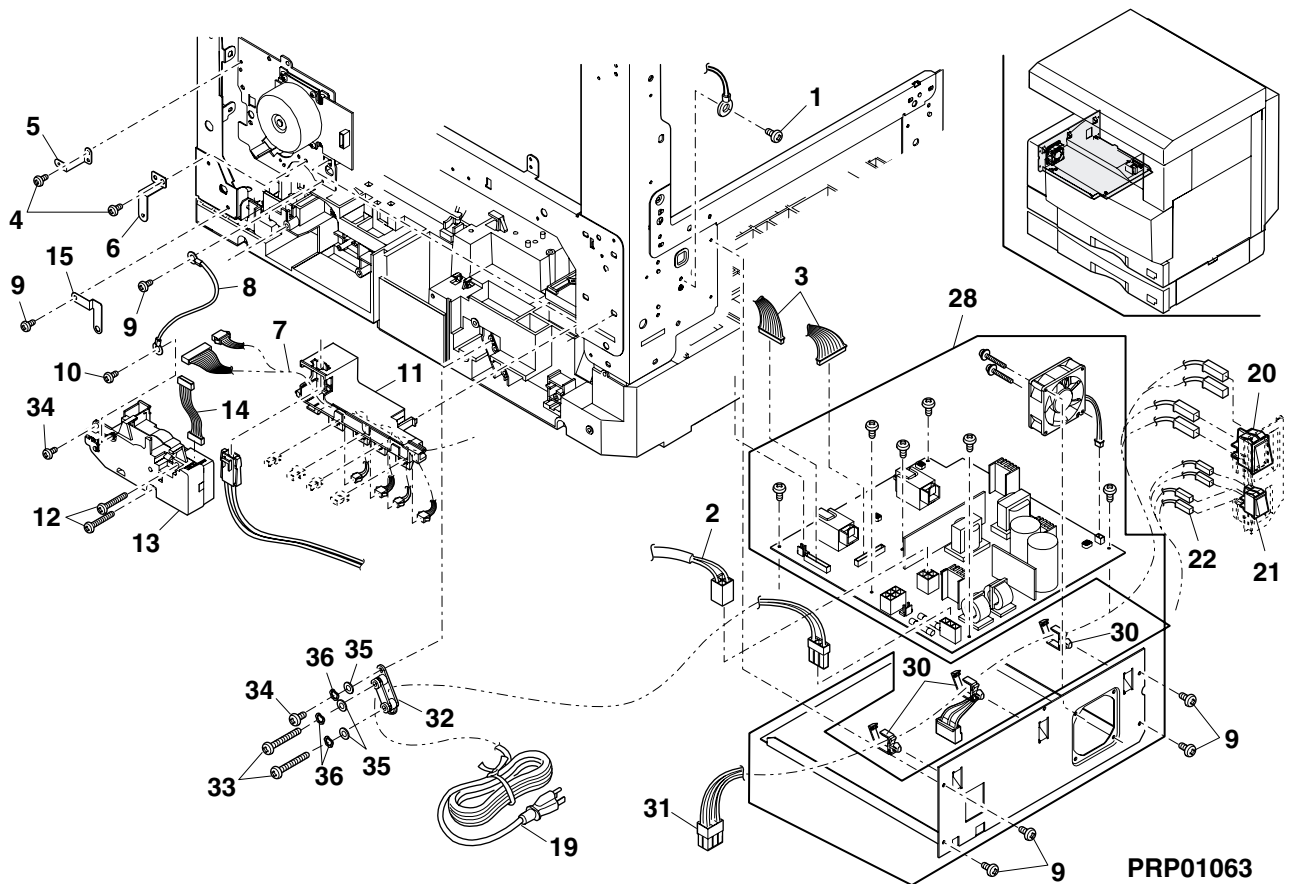
27 PWB section



28 Rear frame section

NO.	PARTS CODE	PRICE RANK	NEW MARK	PART RANK	DESCRIPTION
1	XBPSN40P06K00	AA		C	Screw(4×6K)
2	DHAI-0220QSZZ	AK		C	HL interface harness
3	DHAI-0222QSZZ	AR		C	PS harness
4	XHBSE30P06000	AA		C	Screw(3×6)
5	LPLTM0162QSZZ	AC		C	Drive earth plate
6	LPLTM0252QSZZ	AD		C	Paper feed earth plate LP
7	DHAI-0237QSZZ	AR		C	Drive/Manual paper feeding harness
8	DHAI-0256QSZZ	AC		C	Cassette earth harness
9	XHBSE30P08000	AA		C	Screw(3×8)
10	XEBSD40P30000	AA		C	Screw(4×30)
11	PGIDM0066QSZZ	AK		C	Harness guide
12	XEBSD40P30000	AA		C	Screw(4×30)
13	CDAIU0024RS51	BA		E	1st lift up unit
14	DHAI-0218QSZZ	AD		C	LUM harness
15	LPLTM0249QSZZ	AC		C	2nd earth plate
19	QACCD741BQCZZ	AS		A	AC cord
20	QSW-C9292QCZZ	AN		B	Power supply switch(AJ8W200B)
21	QSW-C9293QCZZ	AG		B	Dry heater switch
22	DHAI-0263QSZZ	AN		C	Dry heater switch harness
28	RDENU0003QS11	BY		E	Power supply unit
30	LHLDW1057FCZZ	AB		C	Wire holder(LWS-3S)
31	DHAI-0223QSZZ	AN		C	AC switch harness
32	LFI-X-0016FCZZ	AD		C	AC cord fixer
33	XEBSD40P30000	AA		C	Screw(4×30)
34	XEBSE40P12000	AA		C	Screw(4×12)
35	XWHS40-08100	AA		C	Washer
36	XWSS40-10000	AA		C	Washer

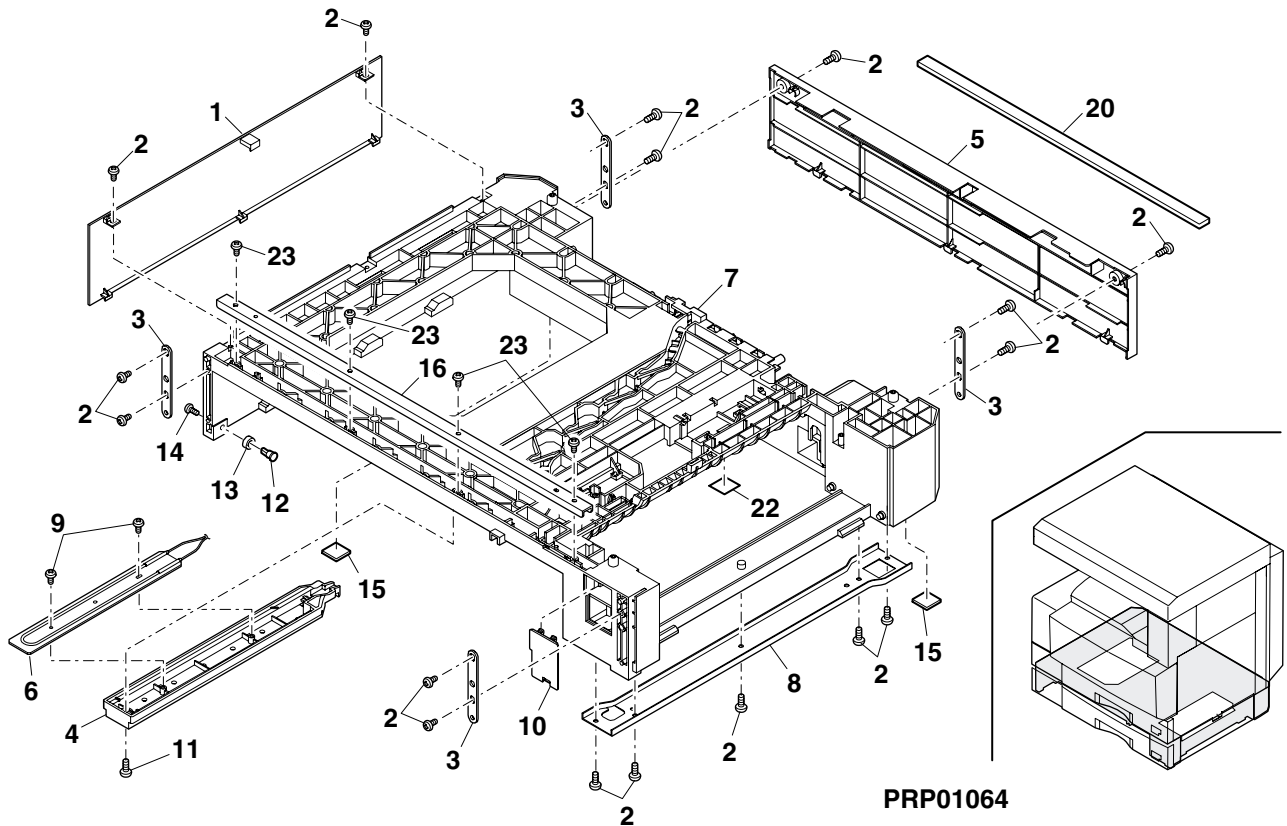
28 Rear frame section



29 2nd exteriors

NO.	PARTS CODE	PRICE RANK	NEW MARK	PART RANK	DESCRIPTION
1	GCAB-0030QSZZ	AP		D	Left cabinet
2	XEBSE40P12000	AA		C	Screw(4x12)
3	LPLTM0240QSZZ	AC		C	2nd joint plate
4	LPLTP0192QSZ1	AL		C	Dry heater fixing plate
5	GCOVA0025QSZZ	AR		D	Rear cover
6	RHET-0006QSZZ	AQ		B	Dry heater
7	LFRM-0039QSZZ	BC		D	Frame
8	LPLTM0236QSZZ	AG		C	2nd reinforce plate R
9	XEBSD30P10000	AA		C	Screw(3x10)
10	PCOVP0063QSZZ	AD		D	Front cover
11	XEBSD30P08000	AA		C	Screw(3x8)
12	NSFTZ0048QSZZ	AG		C	Cassette collar shaft
13	NKOM-0005QSZZ	AC		C	Cassette guide collar
14	XBPSD30P08KS0	AA		C	Screw(3x8KS)
15	GLEGG0064FCZZ	AC		C	Rubber foot
16	LPLTM0237QSZZ	AH		C	2nd reinforce plate F
20	PSPO-0025QSZZ	AC		C	2nd rear cover sponge
22	PSHEZ0325QSZZ	AB		C	Frame lower mylar
23	LX-BZ0037QSZZ	AB		C	Screw(4x12)

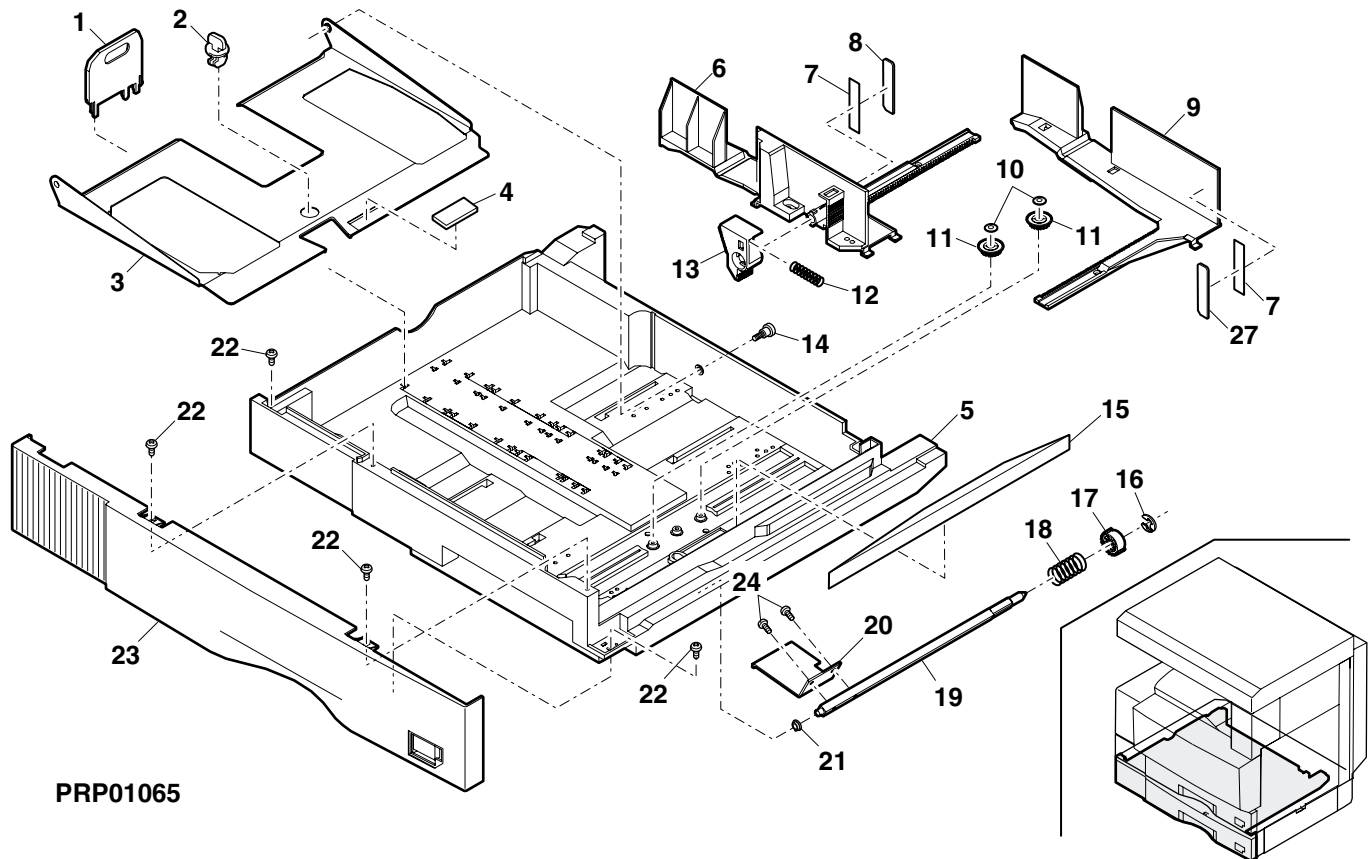
29 2nd exteriors



30 2nd 550 cassette unit

NO.	PARTS CODE	PRICE RANK	NEW MARK	PART RANK	DESCRIPTION
1	LPLTP0159QSZZ	AD		C	Cassette rear side plate
2	LHLDW1226FCZZ	AB		C	Turn fastener
3	LPLTM0179QSZ1	AR		C	Rotation plate
4	PSHEZ0274QSZZ	AC		C	Rotation plate sheet
5	GCASP0005QSZ1	BA		D	550 cassette
6	PGiDM0070QSZ1	AM		C	Guide F
7	PTPE-0021QSZZ	AD		C	GID tape
8	LPLTM0181QSZ1	AB		C	Side plate guide F
9	PGiDM0071QSZZ	AL		C	Guide R
10	LX-BZ0884FCZZ	AB		C	Screw
11	NGERH0193FCZZ	AB		C	UC manual feed gear
12	MSPRC2631FCZZ	AC		C	Fusing pressure spring
13	MLEVP0755FCZ1	AE		C	Side plate F lever
14	LX-BZ0833FCZZ	AC		C	Screw
15	CSHEZ0244QS02	AE		C	Cassette mylar
16	XRESP70-08000	AA		C	E type ring
17	NGERH0108QSZZ	AD		C	Lift gear(22T)
18	MSPRC0210QSZZ	AC		C	Lift gear spring
19	NSFTZ0047QSZZ	AP		C	Lift shaft
20	LPLTM0180QSZ1	AE		C	Lift plate
21	NBRGP0041GCZZ	AD		C	Bearing
22	XEBSE40P10000	AA		C	Screw(4x10)
23	JHNDP0003QSZZ	AR		C	Cassette panel
24	XBPSD40P08KS0	AA		C	Screw(4x8KS)
27	LPLTM0277QSZZ	AC		C	Side plate guide R
	(Unit)				
901	CCASP0005RS54	BH		E	2nd 550 cassette unit

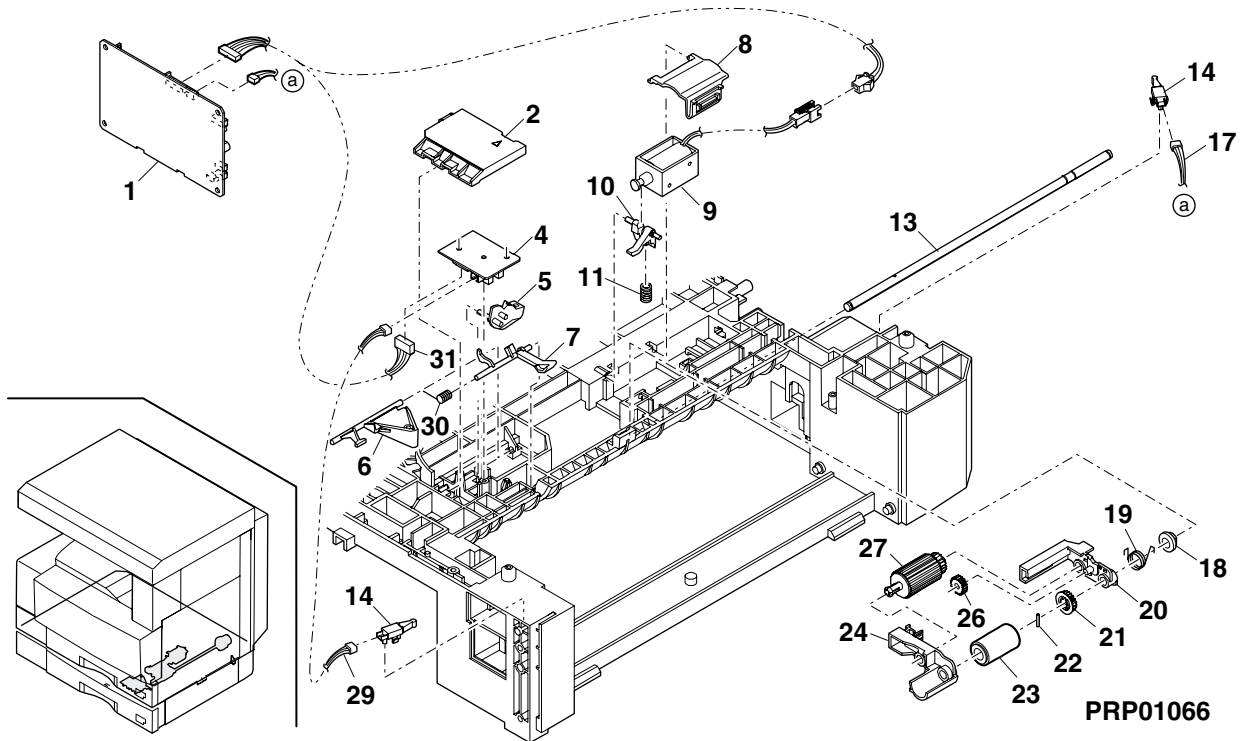
30 2nd 550 cassette unit



31 2nd paper feed section

NO.	PARTS CODE	PRICE RANK	NEW MARK	PART RANK	DESCRIPTION
1	CPWBF0082QSE1	BB		E	2nd cassette interface PWB
2	PCOVP0070QSZZ	AD		D	Sensor cover
4	CPWBF0095RS51	AU		E	2nd cassette sensor PWB
5	MLEVP0063QSZZ	AD		C	Upper limit detect actuator
6	MLEVP0064QSZZ	AD		C	Paper detect actuator
7	MLEVP0062QSZZ	AC		C	P-IN detect actuator
8	PCOVP0064QSZZ	AD		D	Solenoid cover
9	RPLU-0026QSZ1	AR		B	Paper feed solenoid
10	MARMP0026QSZZ	AD		C	Solenoid arm
11	MSPRC0209QSZ1	AC		C	Solenoid spring
13	NSFTZ0050QSZ1	AH		C	2nd paper feed roller shaft
14	QSW-B0003QSZZ	AF		B	Tray detect switch
17	DHAi-0246QSZZ	AD		C	Cassette paper feed switch harness
18	NBRGC0100FCZ1	AC		C	Bearing 6
19	MSPRD0206QSZZ	AC		C	Pick up roller pressure spring
20	MARMP0021QSZZ	AD		C	Pick up arm R
21	NGERH0107QSZZ	AD		C	Paper feed gear
22	LPiN-0026MCZZ	AA		C	Spring pin(φ2-10)
23	NROLR0055QSZ1	AR		C	Paper feed roller LPD
24	MARMP0019QSZZ	AD		C	Pick up arm F
26	NGERH0990FCZZ	AB		C	Gear(16T)
27	NROLR0054QSZZ	AP		C	Pick up roller
29	DHAi-0228QSZZ	AD		C	Door open/close detect harness
30	MSPRD0204QSZZ	AC		C	P-IN detect actuator spring
31	DHAi-0230QSZZ	AF		C	Cassette sensor PWB harness

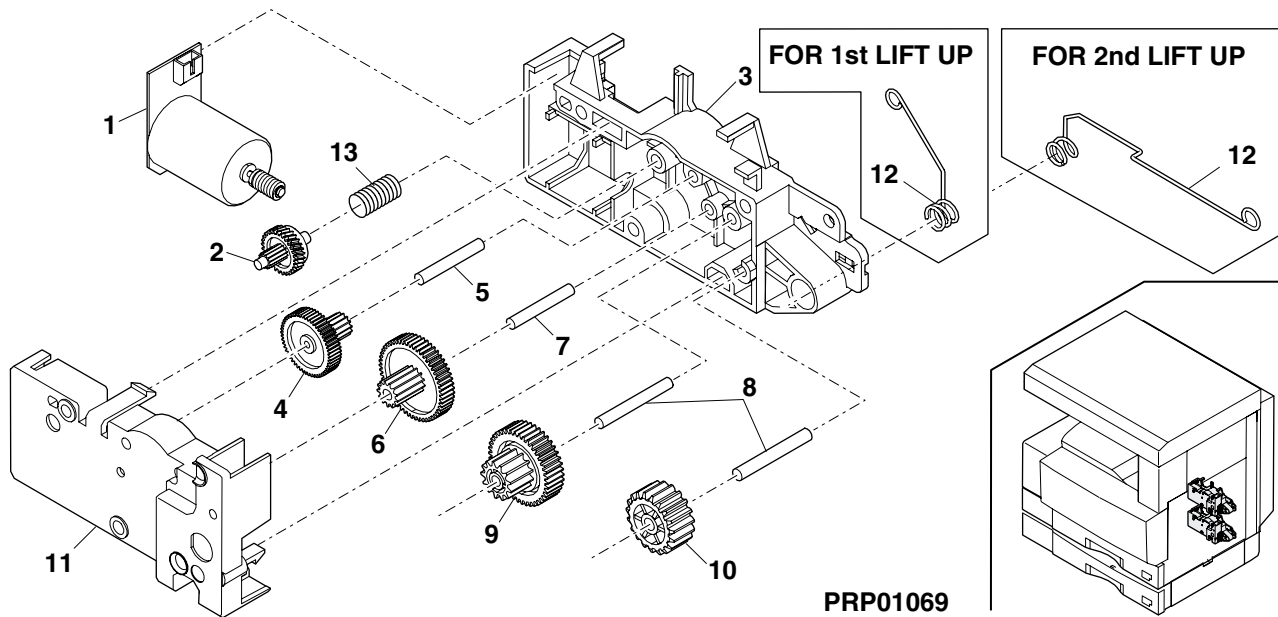
31 2nd paper feed section



34 Pick up motor unit

NO.	PARTS CODE	PRICE RANK	NEW MARK	PART RANK	DESCRIPTION
1	CMOTV0778FCE2	AW		E	Lift up motor unit
2	NGERH0158QSZ1	AE		C	Gear(29T/11T)
3	LDAIU0024QSZ1	AH		D	Lift up base
4	NGERH0102QSZZ	AD		C	Gear(53T/14T)
5	NSFTZ0045QSZZ	AC		C	Shaft
6	NGERH0103QSZZ	AE		C	Gear(54T/13T)
7	NSFTZ0044QSZZ	AC		C	Shaft
8	NSFTZ0060QSZZ	AC		C	Shaft
9	NGERH0104QSZZ	AE		C	Gear(13T/42T)
10	NGERH0105QSZZ	AD		C	Gear(19T)
11	PCOVP0061QSZ1	AH		D	Lift up cover
12	MSPRD0208QSZZ	AC		C	1st cassette earth spring
	MSPRD0251QSZZ	AD		C	2nd cassette earth spring
13	MSPRC0263QSZZ	AC		C	Lift up spring
	(Unit)				
901	CDAIU0024RS51	BA		E	1st lift up unit
	CDAIU0024RS52	BA		E	2nd lift up unit

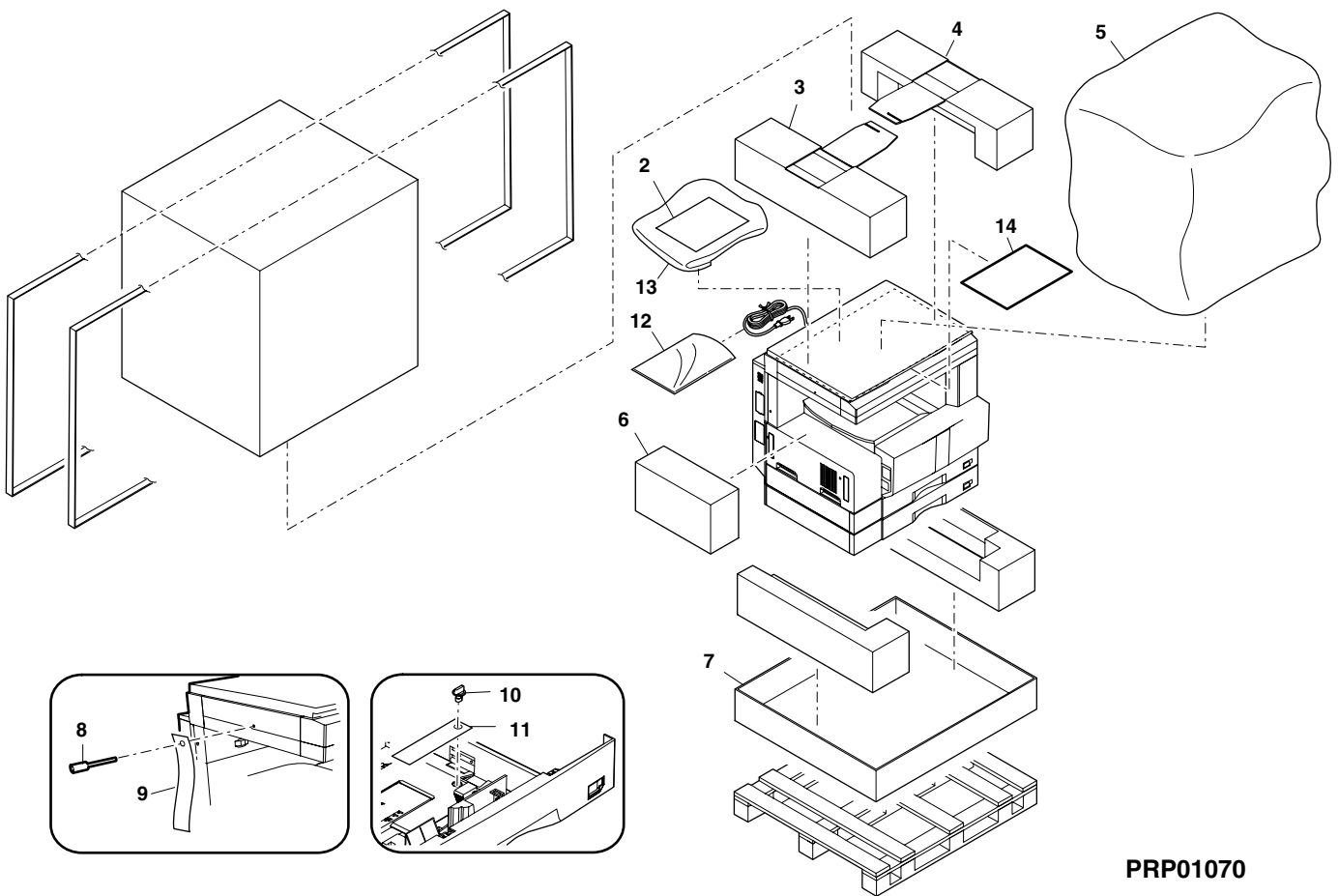
34 Pick up motor unit



35 Packing material & accessories

NO.	PARTS CODE	PRICE RANK	NEW MARK	PART RANK	DESCRIPTION
2	T I N S E 0 8 1 2 Q S Z Z	AZ	N	D	Operation manual (Copy)
	T I N S E 0 8 1 3 Q S Z Z	AT	N	D	Operation manual (Key)
	T I N S E 0 8 1 4 Q S Z Z	AS	N	D	Operation manual (Printer)
	T I N S E 0 8 1 5 Q S Z Z	AR	N	D	Operation manual (Multi access)
	C D S K A 0 0 1 7 Q S 3 4	CA	N	D	CD-ROM
	P S H E Z 1 3 9 4 F C Z Z	AC		D	Vinyl sheet
	T L A B H 0 2 6 9 Q S Z 2	AF		D	Size label
	U K O G Z 0 0 0 2 F C Z Z	AD		D	Vinyl gloves
	U Y O K - 0 0 1 1 F C Z Z	AA		D	Vinyl bag
	C C A S Z 0 0 6 7 F C 0 1	AD		D	Maintenance card
3	S P A K A 0 2 9 3 Q S Z Z	AU		D	Top packing L
4	S P A K A 0 2 9 4 Q S Z Z	AU		D	Top packing R
5	S S A K Z 0 0 1 9 F C Z Z	AM		D	Vinyl bag
6	S P A K A 0 2 9 5 Q S Z 1	AN		D	Reinforce packing
7	S P A K A 0 2 9 0 Q S Z Z	BD		D	Bottom packing case
8	L X - B Z 0 0 1 5 Q S Z Z	AF		D	2/3 fixing screw
9	T C A D Z 0 0 1 0 Q S Z Z	AC		D	Fixing screw caution card
10	L H L D W 1 2 2 6 F C Z Z	AB		C	Turn fastener
11	T C A D Z 1 2 7 5 F C Z Z	AB		D	Cassett rotation tag
12	S S A K A 3 0 0 1 C C Z Z	AA		D	Vinyl bag(140x360)
13	S S A K A 2 3 4 3 Q C Z Z	AA		D	Vinyl bag(260x380)
14	S P A K A 0 1 3 4 R S Z Z	AL		D	OC protect sheet

35 Packing material & accessories



PRP01070

36 MCU PWB

NO.	PARTS CODE	PRICE RANK	NEW MARK	PART RANK	DESCRIPTION
1	QCNCM0016QSZZ	AL		C	Connector(TX25-60P6ST) [CN107]
2	QCNCM0040QSZZ	AL		C	Connector(TX25-60P-12ST-H1) [CN106]
3	QCNCM0059GCZZ	AC		C	Connector(3pin) [CN131]
4	QCNCM0068QSZZ	AL		C	Connector(B40B-PADSS-1) [CN115]
5	QCNCM0542FCZZ	AC		C	Connector(6pin) [CN104]
6	QCNCM0923FC24	AF		C	Connector(24pin) [CN130]
7	QCNCM0877FCZZ	AF		C	Connector(20pin) [CN125]
8	QCNCM0878FCZZ	AF		C	Connector(30pin) [CN126]
9	QCNCM0880FCZZ	AF		C	Connector(26pin) [CN109]
10	QCNCM0923FC10	AE		C	Connector(10pin) [CN135]
11	QCNCM0923FC14	AE		C	Connector(14pin) [CN112]
12	QCNCM0860FCZZ	AB		C	Connector(5pin) [CN103]
13	QCNCM0861FCZZ	AB		C	Connector(3pin) [CN134]
14	QCNCM0876FCZZ	AB		C	Connector(4pin) [CN129]
15	QCNCM1005MCZZ	AB		C	Connector(2pin) [CN102]
16	QCNCM1006MCZZ	AB		C	Connector(3pin) [CN121]
17	QCNCM2401SC0D	AC		C	Connector(4pin) [CN140]
18	QCNCM7014SC0D	AB		C	Connector(4pin) [CN139]
19	QCNCM7014SC0H	AB		C	Connector(8pin) [CN28]
20	QCNCM7014SC1D	AC		C	Connector(14pin)(B14B-PH-K-S) [CN110]
21	QCNCM7022SC0H	AD		C	Connector(8pin)(S8B-PH-K-S) [CN118]
22	QCNCM7022SC1B	AD		C	Connector(12pin)(S12B-PH-K-S) [CN123]
23	QCNCW0018ESZZ	AB		C	Connector(1MSA-9604S-04C) [CN132]
24	QCNCW0024QSZZ	AF		C	Connector(32pin) [CN108]
25	QCNCW0042QSZZ	AD		C	Connector(1MSA-9604S-40C) [CN117]
26	QCNCW0070QSZZ	AF		C	Connector(1MSA-9604S-10C) [CN113]
27	QCNCW0074QSZZ	AD		C	Connector(16FMN-BTK-A) [CN111]
28	QCNCW0885FCZZ	AG		C	Connector(1-171825-2) [CN136]
29	QSOCZ0002QSZZ	AD		C	IC socket [FOR IC105]
30	RC-EZ1073QCZZ	AF		C	Capacitor(100uF/50V) [C107]
31	RCILZ0003QSZZ	AC		C	Coil(HF50ACC201209) [NF200,NF201,NF202,NF203,NF204,NF205,NF206]
32	RCRSZ0001QSZZ	AG		B	Crystal(19.6608MHz) [X100]
33	RCRUA0001QSZZ	AP		B	Crystal(SG-8002JC(32MHz)) [X102]
34	RCRUA0003QSZZ	AP		B	Crystal(SG-8002JC(56.32602MHz)) [X101]
35	RFILN0006QSZZ	AE		C	Filter(MEM2012T101R) [FB104,FB108,FB109]
36	RFILN0007QSZZ	AF		C	Filter(MEM2012W241R) [FB105,FB107,FB110]
37	RFILZ0004QSZZ	AM		C	Filter(ZJSR5101-223) [NF100-108]
38	RH-DZ0016FCZZ	AB		B	Diode(MA700) [D105]
39	RH-iX0002QSZZ	AZ		B	SDRAM(64M)(MT48LC4M16A2,W986416CH-7) [IC107,IC108]
40	RH-iX0003QSZZ	AQ		B	IC(IS61LV256-12J) [IC111,IC112,IC115,IC116]
41	RH-iX0005ESZZ	AE		B	IC(NC7S08M5X) [IC117]
42	RH-iX0006ESZZ	AE		B	IC(NC7SZ32M5X) [IC118]
43	RMP TW 4000QCJJ	AB		B	Block resistor(0Ω×4) [BR164]
44	RMP TW 4100QCJJ	AA		B	Block resistor(10Ω×4) [BR166,BR168,BR170,BR171,BR178,BR179]
	RMP TW 4100QCJJ	AA		B	Block resistor(10Ω×4) [BR184,BR187,BR188,BR104,BR105]
	RMP TW 4100QCJJ	AA		B	Block resistor(10Ω×4) [BR110,BR191,BR192]
45	RMP TW 4102QCJJ	AB		B	Block resistor(1.0KΩ×4) [BR102,BR183,BR194,BR103]
46	RMP TW 4103QCJJ	AB		B	Block resistor(10KΩ×4) [BR106,BR107,BR108,BR109,BR111,BR112,BR113]
	RMP TW 4103QCJJ	AB		B	Block resistor(10KΩ×4) [BR114,BR115,BR116,BR118,BR119,BR120]
	RMP TW 4103QCJJ	AB		B	Block resistor(10KΩ×4) [BR121,BR122,BR123,BR124,BR125,BR126,BR127]
	RMP TW 4103QCJJ	AB		B	Block resistor(10KΩ×4) [BR128,BR129,BR130,BR134,BR135,BR136,BR137]
	RMP TW 4103QCJJ	AB		B	Block resistor(10KΩ×4) [BR140,BR147,BR152,BR153,BR155,BR156,BR157]
	RMP TW 4103QCJJ	AB		B	Block resistor(10KΩ×4) [BR165,BR167,BR169,BR172,BR173,BR180,BR181]
	RMP TW 4103QCJJ	AB		B	Block resistor(10KΩ×4) [BR185,BR186,BR189,BR190,BR100,BR101,BR182,BR193]
47	RMP TW 4222QCJJ	AB		B	Block resistor(2.2KΩ×4) [BR117]
48	RMP TW 4330QCJJ	AB		B	Block resistor(33Ω×4) [BR131,BR132,BR133,BR138,BR139,BR141,BR142]
	RMP TW 4330QCJJ	AB		B	Block resistor(33Ω×4) [BR143,BR144,BR145,BR146,BR148,BR149]
	RMP TW 4330QCJJ	AB		B	Block resistor(33Ω×4) [BR150,BR151,BR154,BR158,BR159,BR160,BR161]
	RMP TW 4330QCJJ	AB		B	Block resistor(33Ω×4) [BR162,BR163,BR174,BR175,BR176,BR177]
49	VCCCCY1HH101J	AA		C	Capacitor(50WV 100PF) [C115,C121,C135]
	VCCCCY1HH101J	AA		C	Capacitor(50WV 100PF) [C207,C400,C446]
50	VCCCCY1HH120J	AA		C	Capacitor(50WV 12PF) [C153,C142]
51	VCCCCY1HH220J	AA		C	Capacitor(50WV 22PF) [C329,C328]
52	VCCCCY1HH470J	AA		C	Capacitor(50WV 47PF) [C308,C380]
53	VCCCCY1HH6R0D	AA		C	Capacitor(50WV 6PF) [C350,C351]
54	VCCUCY1AJ105Z	AC		C	Capacitor(10WV 1.0μF) [C128,C130]
55	VCEAPS0JC107M	AC		C	Capacitor(6.3WV 100μF) [C453]
56	VCEAPS1CC106M	AC		C	Capacitor(16WV 10μF) [C127,C149,C159]
57	VCEAPS1CC226M	AC		C	Capacitor(16WV 22μF) [C104,C108,C109,C147]
58	VCEAPS1CC476M	AC		C	Capacitor(16WV 47μF) [C143,C110]
59	VCEAPS1EC106M	AC		C	Capacitor(25WV 10μF) [C158]
60	VCEAPS1VC106M	AC		C	Capacitor(35WV 10μF) [C100]
61	VCEAPS1VC226M	AC		C	Capacitor(35WV 22μF) [C102,C103]
62	VCEAPS1VC476M	AD		C	Capacitor(35WV 47μF) [C105,C124,C132]
63	VCKYCY1EB223K	AA		C	Capacitor(25WV 0.022μF) [C225,C319,C320,C337,C345,C346,C347,C405]
	VCKYCY1EB223K	AA		C	Capacitor(25WV 0.022μF) [C136,C137,C140,C155]
64	VCKYCY1EF104Z	AA		C	Capacitor(16WV 0.1μF) [C111,C112,C113,C114,C116,C117,C118,C123]
	VCKYCY1EF104Z	AA		C	Capacitor(16WV 0.1μF) [C126,C129,C131,C133,C134,C139,C141,C144,C145]
	VCKYCY1EF104Z	AA		C	Capacitor(16WV 0.1μF) [C146,C148,C150,C151,C152,C154,C156,C157,C138]
	VCKYCY1EF104Z	AA		C	Capacitor(16WV 0.1μF) [C204,C206,C210,C211,C212,C213,C214,C217,C218,C235]

36 MCU PWB

NO.	PARTS CODE	PRICE RANK	NEW MARK	PART RANK	DESCRIPTION
64	VCKYCY1EF104Z	AA		C	Capacitor(16WV 0.1μF) [C239,C241,C244,C245,C247,C248,C249,C252,C254,C259]
	VCKYCY1EF104Z	AA		C	Capacitor(16WV 0.1μF) [C260,C261,C263,C269,C271,C273,C274,C275,C276,C277]
	VCKYCY1EF104Z	AA		C	Capacitor(16WV 0.1μF) [C278,C279,C280,C281,C282,C283,C284,C285,C286,C287]
	VCKYCY1EF104Z	AA		C	Capacitor(16WV 0.1μF) [C288,C289,C291,C300,C301,C302,C303,C304,C305,C306]
	VCKYCY1EF104Z	AA		C	Capacitor(16WV 0.1μF) [C307,C309,C310,C311,C312,C313,C314,C315,C316,C317]
	VCKYCY1EF104Z	AA		C	Capacitor(16WV 0.1μF) [C318,C321,C323,C324,C325,C330,C331,C332,C333,C334]
	VCKYCY1EF104Z	AA		C	Capacitor(16WV 0.1μF) [C335,C336,C338,C339,C340,C341,C342,C343,C352,C353]
	VCKYCY1EF104Z	AA		C	Capacitor(16WV 0.1μF) [C354,C355,C356,C357,C358,C359,C361,C362,C364,C366]
	VCKYCY1EF104Z	AA		C	Capacitor(16WV 0.1μF) [C367,C368,C369,C370,C371,C372,C373,C374,C375,C378]
	VCKYCY1EF104Z	AA		C	Capacitor(16WV 0.1μF) [C379,C381,C382,C383,C384,C385,C386,C387,C388,C389]
	VCKYCY1EF104Z	AA		C	Capacitor(16WV 0.1μF) [C390,C391,C392,C393,C394,C395,C396,C397,C398,C401]
	VCKYCY1EF104Z	AA		C	Capacitor(16WV 0.1μF) [C403,C404,C406-C417,C419]
VCKYCY1EF104Z	AA		C	Capacitor(16WV 0.1μF) [C421-C430,C432-C439]	
VCKYCY1EF104Z	AA		C	Capacitor(16WV 0.1μF) [C442,C444,C449,C228,C454]	
65	VCKYCY1HB102K	AA		C	Capacitor(50WV 1000PF) [C122,C201,C202,C205,C208,C209]
	VCKYCY1HB102K	AA		C	Capacitor(50WV 1000PF) [C220,C222,C229,C230,C232,C233,C234,C236]
	VCKYCY1HB102K	AA		C	Capacitor(50WV 1000PF) [C237,C238,C256,C292,C293,C294,C295,C296]
66	VCKYCY1HB103K	AA		C	Capacitor(50WV 0.01μF) [C125]
	VCKYCY1HB222K	AA		C	Capacitor(50WV 2200PF) [C224,C268,C322]
	VCKYCY1HB332K	AA		C	Capacitor(50WV 3300PF) [C266,C267]
69	VCKYCY1HF473Z	AA		C	Capacitor(50WV 0.047μF) [C200,C215,C221,C223,C226,C246,C250]
	VCKYCY1HF473Z	AA		C	Capacitor(50WV 0.047μF) [C251,C257,C264,C363,C377,C441,C119,C120]
70	VHD1N4005E/-1	AB		B	Diode(1N4005) [D104]
71	VHDD1FL20U/-1	AD		B	Diode(D1FL20U) [D200,D201,D202,D203]
72	VHDDA204K// -1	AC		B	Diode(DA204K) [D204,D205,D206,D208,D209,D210]
73	VHDDSS133// -1	AA		B	Diode(1SS133) [D100,D101,D102,D103,D106,D107]
74	VHEUDZ3.9B/-1	AC		B	Zener diode(UDZS3.9B) [ZD200,ZD202,ZD203,ZD204,ZD205,ZD206,ZD207,ZD208]
	VHEUDZ3.9B/-1	AC		B	Zener diode(UDZS3.9B) [ZD209,ZD210,ZD211,ZD212,ZD217,ZD218,ZD219,ZD220]
	VHEUDZ3.9B/-1	AC		B	Zener diode(UDZS3.9B) [ZD221,ZD223,ZD224,ZD225,ZD226,ZD231,ZD232,ZD233]
	VHEUDZ3.9B/-1	AC		B	Zener diode(UDZS3.9B) [ZD234,ZD240-243,ZD248,ZD249]
75	VHEUDZS5.6B-1	AC		B	Zener diode(UDZS5.6B) [ZD201,ZD213,ZD214,ZD215,ZD216,ZD222]
	VHEUDZS5.6B-1	AC		B	Zener diode(UDZS5.6B) [ZD227,ZD228,ZD229,ZD230,ZD235,ZD236]
	VHEUDZS5.6B-1	AC		B	Zener diode(UDZS5.6B) [ZD237,ZD238,ZD239,ZD244-247]
76	VHH103AT-2B-1	AF		B	Termister(103AT-2B) [RT101]
77	VHi74LVX08M-1	AE		B	IC(74LVX08MX) [IC218]
80	VHiFS781BZB-1	AP		B	IC(FS781BZB) [IC216]
81	VHiH8S2320+-1	AY		B	IC(H8S2320) [IC110]
82	VHiHG73C0792C	BF		B	IC(HG73C079BH01FD) [IC113]
83	VHiHG73C0941C	BD		B	I/O ASIC(HG73C094AFD) [IC102]
84	VHiKA7805AP-1	AE		B	IC(KIA7805API) [IC100]
85	VHiLCX244WM-1	AG		B	IC(74LCX244WMX) [IC207,IC211,IC215,IC220,IC221,IC222,IC224]
86	VHiLM358DR+-1	AF		B	IC(LM358D) [IC214,IC212]
87	VHiLVX4245M-1	AL		B	IC(74LVX4245MT) [IC104]
88	VHiM51953BL-1	AF		B	IC(M51953BL) [IC109]
89	VHiM51957BFP1	AH		B	IC(M51957BFP1) [IC217]
90	VHiMTD13611-1	AR		B	Motor driver(MTD1361-4101) [IC103]
91	VHiNJM2903M/-	AD		B	IC(NJM2903M) [IC213]
92	VHiSTA401A/-1	AP		B	IC(STA401A) [IC106]
93	VHiT62001AF-1	AG		B	IC(TD62001AF) [IC202,IC203,IC208,IC209,IC219]
94	VHiTA7291S/-1	AF		B	IC(TA7291S) [IC101]
95	VHiTD62503F/-	AG		B	IC(TD62503) [IC201,IC205]
96	VHiVHC139MX-1	AF	N	B	IC(74VHC139MX) [IC225]
97	VHiVHC164MX-1	AF		B	IC(74VHC164) [IC226]
98	VHViCPN38// -1	AF		B	IC protector(ICPN38) [F100,F101,F102,F103,F104]
99	VVR-HT2HY152J	AA		C	Resistor(1/2W 1.5KΩ ±5%) [R100]
100	VRS-CY1JD000J	AA		C	Resistor(1/16W 0Ω ±5%) [R253,R117,R136,R137,R381,R382,R383,R384]
101	VRS-CY1JD100J	AA		C	Resistor(1/16W 10Ω ±5%) [R107]
102	VRS-CY1JD101J	AA		C	Resistor(1/16W 100Ω ±5%) [R318,R323,R355]
103	VRS-CY1JD102F	AA		C	Resistor(1/16W 1KΩ ±1%) [R307,R248]
104	VRS-CY1JD102J	AA		C	Resistor(1/16W 1.0KΩ ±5%) [R262,R263,R308,R365,R367,R368,R371]
	VRS-CY1JD102J	AA		C	Resistor(1/16W 1.0KΩ ±5%) [R376,R378,R229,R230,R231,R234,R235,R236]
	VRS-CY1JD102J	AA		C	Resistor(1/16W 1.0KΩ ±5%) [R244,R291,R294,R305,R315,R356,R103,R129]
	VRS-CY1JD102J	AA		C	Resistor(1/16W 1.0KΩ ±5%) [R130,R131,R135,R138,R139,R141,R148]
105	VRS-CY1JD103F	AB		C	Resistor(1/16W 10KΩ ±1%) [R119,R306,R319]
106	VRS-CY1JD103J	AA		C	Resistor(1/16W 10KΩ ±5%) [R205,R217,R218,R219,R220,R221,R222,R362]
	VRS-CY1JD103J	AA		C	Resistor(1/16W 10KΩ ±5%) [R366,R377,R379,R201,R206,R207,R208,R237]
	VRS-CY1JD103J	AA		C	Resistor(1/16W 10KΩ ±5%) [R238,R239,R241,R251,R265,R272,R290,R293]
	VRS-CY1JD103J	AA		C	Resistor(1/16W 10KΩ ±5%) [R296,R297,R321,R335,R336,R345,R346,R347]
	VRS-CY1JD103J	AA		C	Resistor(1/16W 10KΩ ±5%) [R348,R354,R361,R316,R386,R111,R112,R113]
	VRS-CY1JD103J	AA		C	Resistor(1/16W 10KΩ ±5%) [R114,R115,R122,R123,R125,R126,R127,R142]
107	VRS-CY1JD105F	AA		C	Resistor(1/16W 1.0MΩ ±1%) [R143,R144,R145,R146,R147,R121,R385]
108	VRS-CY1JD113F	AA		C	Resistor(1/16W 11KΩ ±1%) [R304]
109	VRS-CY1JD121F	AA		C	Resistor(1/16W 120Ω ±1%) [R118]
110	VRS-CY1JD122F	AB		C	Resistor(1/16W 1.2KΩ ±1%) [R249]
111	VRS-CY1JD152J	AA		C	Resistor(1/16W 1.5KΩ ±5%) [R254,R255,R256,R266,R267,R269,R270,R275,R276]
	VRS-CY1JD152J	AA		C	Resistor(1/16W 1.5KΩ ±5%) [R277,R278,R279,R281,R282,R283,R284,R285]
	VRS-CY1JD152J	AA		C	Resistor(1/16W 1.5KΩ ±5%) [R286,R287,R288,R337,R338,R340,R341,R342]
	VRS-CY1JD152J	AA		C	Resistor(1/16W 1.5KΩ ±5%) [R343,R344,R350,R102,R104,R105,R106]

36 MCU PWB

NO.	PARTS CODE	PRICE RANK	NEW MARK	PART RANK	DESCRIPTION
112	VRS-CY1JD182F	AA		C	Resistor(1/16W 1.8KΩ ±1%) [R310]
113	VRS-CY1JD203J	AA		C	Resistor(1/16W 20KΩ ±5%) [R352,R351]
114	VRS-CY1JD220J	AA		C	Resistor(1/16W 22Ω ±5%) [R328]
115	VRS-CY1JD241J	AA		C	Resistor(1/16W 240KΩ ±5%) [R274,R280]
116	VRS-CY1JD242J	AA		C	Resistor(1/16W 2.4KΩ ±5%) [R246,R247]
117	VRS-CY1JD272F	AA		C	Resistor(1/16W 2.7KΩ ±1%) [R302]
118	VRS-CY1JD301J	AA		C	Resistor(1/16W 300Ω ±5%) [R257,R258,R322,R317]
119	VRS-CY1JD330J	AA		C	Resistor(1/16W 33Ω ±5%) [R124,R132,R133,R134,R325,R326]
120	VRS-CY1JD332F	AA		C	Resistor(1/16W 3.3KΩ ±1%) [R309]
121	VRS-CY1JD332J	AA		C	Resistor(1/16W 3.3KΩ ±5%) [R116]
122	VRS-CY1JD470J	AA		C	Resistor(1/16W 47Ω ±5%) [R268]
123	VRS-CY1JD471J	AA		C	Resistor(1/16W 470Ω ±5%) [R209,R210,R211,R212,R213,R214,R215,R216,R242]
	VRS-CY1JD471J	AA		C	Resistor(1/16W 470Ω ±5%) [R243,R289,R292,R359,R360,R363,R364,R369,R370]
124	VRS-CY1JD472J	AA		C	Resistor(1/16W 4.7KΩ ±5%) [R204,R299,R300]
125	VRS-CY1JD473J	AA		C	Resistor(1/16W 47KΩ ±5%) [R232,R233,R298,R339]
126	VRS-CY1JD681F	AA		C	Resistor(1/16W 680Ω ±1%) [R245]
127	VRS-CY1JD752F	AA		C	Resistor(1/16W 7.5KΩ ±1%) [R303]
128	VRS-CY1JD752J	AA		C	Resistor(1/16W 7.5KΩ ±5%) [R264,R312]
129	VRS-RE3DA102J	AB		C	Resistor(2W 1.0KΩ ±5%) [R120]
130	VRS-RE3DA131J	AC		C	Resistor(2W 130Ω ±5%) [R101]
131	VRS-RE3DA1R0J	AB		C	Resistor(2W 1.0Ω ±5%) [R110,R109]
132	VRS-RE3DAR22J	AB		C	Resistor(2W 0.22Ω ±5%) [R128]
133	VS2SA1036KQRC	AB		B	Transistor(2SA1036KQRC) [Q207,Q200]
134	VSDTA143XK/-	AB		B	Transistor(DTA143XK) [Q205]
135	VSDTC114EK/-	AB		B	Transistor(DTC114EK) [Q204,Q206]
136	VSDTC143ZKA-1	AC		B	Transistor(DTC143ZKA) [Q201]
137	VSiMZ4++++-1	AD		B	Transistor(IMZ4) [Q203]
138	VS2SB1197KR-1	AC		B	Transistor(2SB1197KR-1) [Q208]
139	VHi29L08062QS	BA	N	B	Flash ROM
	(Unit)				
901	CPWBX0110QS44	CG	N	E	MCU PWB

37 IMC PWB

NO.	PARTS CODE	PRICE RANK	NEW MARK	PART RANK	DESCRIPTION
1	VHi29L04036QS	BA	N	B	Flash ROM
2	QCNCM7014SC0E	AB		C	Connector(5pin) [CN3]
3	QCNCW0034QSZZ	AL		C	Connector(60pin) [CN4]
4	QSOZ0001QSZZ	AL		C	Socket(DMM168-FLAA2-3A133) [CN1,CN2]
5	RCRSP0016QSZZ	AD		B	Crystal(19.6608MHz) [X103]
6	RCRUA0002QSZZ	AP		B	Crystal(SG-8002JC(33.3MHz)) [X102]
7	RCRUA0003QSZZ	AP		B	Crystal(SG-8002JC(56.32602MHz)) [X101]
8	RH-iX0006ESZZ	AE		B	IC [IC109]
9	RMPTW4103QCJJ	AB		B	Block resistor(10KΩ×4) [BR100-R107,BR109,BR110]
	RMPTW4103QCJJ	AB		B	Block resistor(10KΩ×4) [BR113,BR114,BR117,BR118,BR120,BR121,BR128,BR129]
	RMPTW4103QCJJ	AB		B	Block resistor(10KΩ×4) [BR130,BR134-BR139,BR146,BR153]
	RMPTW4103QCJJ	AB		B	Block resistor(10KΩ×4) [BR158,BR159,BR170-BR174]
	RMP TW4103QCJJ	AB		B	Block resistor(10KΩ×4) [BR178,BR179,BR182,BR183,BR191,BR192,BR193]
10	RMPTW4330QCJJ	AB		B	Block resistor(33Ω×4) [BR108,BR115,BR116,BR119,BR122,BR123,BR124]
	RMP TW4330QCJJ	AB		B	Block resistor(33Ω×4) [BR125,BR131,BR140,BR141,BR142,BR145,BR147]
	RMPTW4330QCJJ	AB		B	Block resistor(33Ω×4) [BR148,BR152,BR156,BR157,BR160,BR161,BR162]
	RMP TW4330QCJJ	AB		B	Block resistor(33Ω×4) [BR163,BR164,BR165,BR166,BR167,BR168,BR169]
	RMP TW4330QCJJ	AB		B	Block resistor(33Ω×4) [BR175,BR176,BR177,BR180,BR181,BR184,BR190]
11	VCCCCY1HH100J	AA		C	Capacitor(50WV 10PF) [C336,C337]
12	VCCCCY1HH101J	AA		C	Capacitor(50WV 100PF) [C236,C252,C319]
13	VCCCCY1HH470J	AA		C	Capacitor(50WV 47PF) [C119,C154,C206,C226]
14	VCEAPS1CC106M	AC		C	Capacitor(16WV 10μF) [C142]
15	VCEAPS1CC226M	AC		C	Capacitor(16WV 22μF) [C132,C140,C141,C144,C148]
16	VCKYCY1EB103K	AC		C	Capacitor(25WV 0.010μF) [C127,C214,C321]
17	VCKYCY1EF104Z	AA		C	Capacitor(16WV 0.1μF) [C100,C101,C102,C103,C104,C105,C106,C107,C108,C109]
	VCKYCY1EF104Z	AA		C	Capacitor(16WV 0.1μF) [C110,C111,C112,C113,C114,C115,C116,C117,C120]
	VCKYCY1EF104Z	AA		C	Capacitor(16WV 0.1μF) [C121,C122,C123,C124,C125,C126,C128,C129,C130,C131]
	VCKYCY1EF104Z	AA		C	Capacitor(16WV 0.1μF) [C133,C135,C137,C138,C139,C143,C145,C149,C150]
	VCKYCY1EF104Z	AA		C	Capacitor(16WV 0.1μF) [C151,C152,C153,C155,C156,C159,C160,C161]
	VCKYCY1EF104Z	AA		C	Capacitor(16WV 0.1μF) [C200,C201,C204,C205,C207,C208,C210,C215,C217]
	VCKYCY1EF104Z	AA		C	Capacitor(16WV 0.1μF) [C218,C219,C224,C225,C227,C228,C229,C230,C231,C232]
	VCKYCY1EF104Z	AA		C	Capacitor(16WV 0.1μF) [C233,C235,C237,C238,C239,C240,C241,C243,C244,C245]
	VCKYCY1EF104Z	AA		C	Capacitor(16WV 0.1μF) [C246,C247,C248,C249,C250,C251,C253,C254,C255,C257]
	VCKYCY1EF104Z	AA		C	Capacitor(16WV 0.1μF) [C258,C259,C260,C261,C262,C263,C264,C265,C266,C267]
	VCKYCY1EF104Z	AA		C	Capacitor(16WV 0.1μF) [C268,C269,C270,C271,C272,C273,C274,C275,C279,C280]
	VCKYCY1EF104Z	AA		C	Capacitor(16WV 0.1μF) [C281,C282,C283,C284,C285,C286,C287,C288,C289,C290]
	VCKYCY1EF104Z	AA		C	Capacitor(16WV 0.1μF) [C291,C292,C293,C295,C296,C297,C298,C299,C300,C306]
	VCKYCY1EF104Z	AA		C	Capacitor(16WV 0.1μF) [C307,C308,C309,C311,C312,C313,C314,C315,C318,C322]
	VCKYCY1EF104Z	AA		C	Capacitor(16WV 0.1μF) [C323,C324,C325,C326,C327,C328,C329,C331,C335,C338,C339]
	VCKYCY1EF104Z	AA		C	Capacitor(16WV 0.1μF) [C342,C343,C344,C345,C346,C347,C348,C349,C350,C351]
	VCKYCY1EF104Z	AA		C	Capacitor(16WV 0.1μF) [C352,C353,C354,C355,C356,C357,C358,C359,C360,C361]

37 IMC PWB

NO.	PARTS CODE	PRICE RANK	NEW MARK	PART RANK	DESCRIPTION
17	VCKYCY1EF104Z	AA		C	Capacitor(16WV 0.1μF) [C362,C363,C364,C365,C366,C368,C369,C370,C371]
18	VCKYCY1HB102K	AA		C	Capacitor(50WV 1000PF) [C134,C216,C234,C294]
19	VHD1N4005E/-1	AB		B	Diode(1N4005) [D100]
20	VHi74LCX00M-1	AE		B	IC(74LCX00M) [IC103]
21	VHiFS781BZB-1	AP		B	IC(FS781BZB) [IC115,IC134]
22	VHiH8S2320+-1	AY		B	IC(H8S2320) [IC129]
23	VHiHG73C093FM	BD		B	IC(HG73C093FM) [IC117]
24	VHiICS9179M-1	AR		B	IC(9179AM-12) [IC121]
25	VHiIP00C402-1	BF		B	IC(IP00C402) [IC106]
26	VHiLCX16374-1	AM		B	IC(74LCX16374MEA) [IC113]
27	VHiLCX244WM-1	AG		B	IC(74LCX244WM) [IC100,IC110,IC112,IC125,IC126,IC132,IC135,IC138]
28	RH-iX0003QSZZ	AQ		B	IC(IS61LV256-12J) [IC119,IC122,IC124,IC133]
29	VHiPM2060BA-1	BK		B	IC(PM-2060i) [IC107]
30	VHiVHC164MX-1	AF		B	IC(74VHC164M) [IC102]
31	VRS-CY1JD000J	AA		C	Resistor(1/16W 0Ω ±5%) [L101,L103,L107,L108,L109,L110]
	VRS-CY1JD000J	AA		C	Resistor(1/16W 0Ω ±5%) [L112,L200,L201,L202,L207,L209,L210,L211,L212]
	VRS-CY1JD000J	AA		C	Resistor(1/16W 0Ω ±5%) [L213,L215,L216,L218,L219,L221,L222,L224,L220]
	VRS-CY1JD000J	AA		C	Resistor(1/16W 0Ω ±5%) [R101,R103,R115,R206,R207,R208,R217,R226,R238,R248]
	VRS-CY1JD000J	AA		C	Resistor(1/16W 0Ω ±5%) [R249,R250,R252,R253,R254,R255,R256]
	VRS-CY1JD000J	AA		C	Resistor(1/16W 0Ω ±5%) [R264,R265]
	VRS-CY1JD000J	AA		C	Resistor(1/16W 0Ω ±5%) [R273,R274,R277,R280,R281,R282,R283,R284,R287,R292]
32	VRS-CY1JD100J	AA		C	Resistor(1/16W 10Ω ±5%) [R108,R116,R258,R259,R260,R261,R262,R263,R268,R269]
	VRS-CY1JD100J	AA		C	Resistor(1/16W 10Ω ±5%) [R270,R271,R272]
33	VRS-CY1JD102J	AA		C	Resistor(1/16W 1.0KΩ ±5%) [R361]
34	VRS-CY1JD103J	AA		C	Resistor(1/16W 10KΩ ±5%) [R100,R109,R205,R209,R212,R213,R214]
	VRS-CY1JD103J	AA		C	Resistor(1/16W 10KΩ ±5%) [R215,R223,R229,R230,R231,R232,R233,R234]
	VRS-CY1JD103J	AA		C	Resistor(1/16W 10KΩ ±5%) [R235,R239,R240,R241,R242,R243,R244,R245]
	VRS-CY1JD103J	AA		C	Resistor(1/16W 10KΩ ±5%) [R296,R308,R337,R338,R339,R340,R345]
35	VRS-CY1JD220J	AA		C	Resistor(1/16W 22Ω ±5%) [R346,R347,R348,R341,R342,R343,R344]
	VRS-CY1JD330J	AA		C	Resistor(1/16W 22Ω ±5%) [R105,R290]
36	VRS-CY1JD330J	AA		C	Resistor(1/16W 33Ω ±5%) [R102,R113,R200,R202,R216,R236,R246,R257,R275,R286]
	VRS-CY1JD330J	AA		C	Resistor(1/16W 33Ω ±5%) [R291,R297,R298,R299,R300,R301,R302,R303,R304,R305]
	VRS-CY1JD330J	AA		C	Resistor(1/16W 33Ω ±5%) [R306,R307,R309,R310,R311,R312,R317,R318,R319,R320]
	VRS-CY1JD330J	AA		C	Resistor(1/16W 33Ω ±5%) [R313,R314,R315,R316,R329,R330,R331,R332,R333,R334]
	VRS-CY1JD330J	AA		C	Resistor(1/16W 33Ω ±5%) [R335,R336,R349,R350,R351,R352,R353,R354,R355,R356]
37	VRS-CY1JD332J	AA		C	Resistor(1/16W 33Ω ±5%) [R357,R358,R359,R360]
38	VRS-CY1JD472J	AA		C	Resistor(1/16W 3.3KΩ ±5%) [R107,R288]
39	RH-iX0001QSZZ	BD	N	B	Resistor(1/16W 4.7KΩ ±5%) [R219,R220,R221,R222,R278,R279]
40	RH-iX0002QSZZ	AZ		B	SDRAM(128M)(MT48LC8M16ATG-8E) [IC108,IC123]
41	RCILF2060HCZZ	AC		C	SDRAM(64M)(MT48LC4M16ATG-8E) [IC130,IC136]
42	VCCCCY1HH150J	AB		C	Coil(M11HB102SD) [L106]
	(Unit)				Capacitor(50WV 15PF) [C136]
901	CPWBX0111QS35	CK	N	E	IMC PWB

38 LCD backlight PWB

NO.	PARTS CODE	PRICE RANK	NEW MARK	PART RANK	DESCRIPTION
1	VHi29L04034QS	BA	N	E	Flash ROM
2	QCNCM0861FCZZ	AB		C	Connector(S3B-PH-K-S) [CN5]
3	QCNCW0050QSZZ	AD		C	Connector(15FMN-STK) [CN3]
4	QCNCW0051QSZZ	AD		C	Connector(16FMN-STK) [CN4]
5	QCNCW0053QSZZ	AE		C	Connector(25FMN-STK) [CN2]
6	RALMB1002LCZZ	AE		B	Alarm(PKM13EPY-4000-TF01) [BZ1]
7	RCRSZ0001QSZZ	AG		B	Crystal(AT-51(19.6608MHz)) [X1]
8	RCRSP0016QSZZ	AD		B	Crystal(HC-49U/S(19.6608MHz)) [X1]
9	RMPTW4000QCJJ	AB		B	Block resistor(0Ω×4) [BR2]
10	RMPTW4103QCJJ	AB		B	Block resistor(10kΩ×4) [BR1,3,4,10-13,18-24]
11	RMPTW4330QCJJ	AB		B	Block resistor(33Ω×4) [BR5-9,14-17]
12	VCCCCY1HH6R0D	AA		C	Capacitor(50WV 6PF) [C3,4]
13	VCEAPS1CC226M	AC		C	Capacitor(16WV 22μF) [C58,63]
14	VCEAPS1CC476M	AC		C	Capacitor(16WV 47μF) [C47,48]
15	VCEAPS1EC106M	AC		C	Capacitor(25WV 10μF) [C22]
16	VCEAPS1VC475M	AC		C	Capacitor(35WV 4.7μF) [C26,74]
17	VCEAPS1VC476M	AD		C	Capacitor(35WV 47μF) [C49]
18	VCKYCY1EF104Z	AA		C	Capacitor(16WV 0.1μF) [C5,8,9,14-21,25,39,40,43-46]
	VCKYCY1EF104Z	AA		C	Capacitor(16WV 0.1μF) [C50-52,55-57,59-61]
19	VCKYCY1HB223K	AC		C	Capacitor(50WV 0.022μF) [C62]
20	VHDDSS133/-1	AA		B	Diode(1SS133) [D1-12]
21	VHiH8S2320+-1	AY		B	IC(H8S2320) [IC1]
23	RH-iX0003QSZZ	AQ		B	IC(IS61LV256-12J) [IC12,13,15,16]
25	VHiTD62785F//	AN		B	IC(TD62785) [IC7]
26	VHiULN2003AN1	AE		B	IC(ULN2003A) [IC10]
27	VHi74HCT244MF	AH		B	IC(74HCT244) [IC6,9]
28	VHi74LVX32M-1	AE		B	IC(74LVX32) [IC3]

38 LCD backlight PWB

NO.	PARTS CODE	PRICE RANK	NEW MARK	PART RANK	DESCRIPTION
29	VHPLT1ZE40A-1	AE		B	LED(LT1ZE40A) [BLG1-18]
30	VHPGM1ZV403-1	AD		B	LED(GM1ZV40300AE) [BLY1-18]
31	VRD-HT2EY112J	AA		C	Resistor(1/4W 1.1KΩ ±5%) [R60-65,83-88]
32	VRD-HT2EY152J	AA		C	Resistor(1/4W 1.5KΩ ±5%) [R67,69,71,89,91,93]
33	VRD-HT2EY302J	AA		C	Resistor(1/4W 3.0KΩ ±5%) [R68,70,72,90,92,94]
34	VRD-HT2EY472J	AA		C	Resistor(1/4W 4.7KΩ ±5%) [R34]
35	VRS-CY1JD000J	AA		C	Resistor(1/16W 0Ω ±5%) [R5,21,30,31,75,79,82,101,102,103,104]
36	VRS-CY1JD102J	AA		C	Resistor(1/16W 1.0KΩ ±5%) [R2]
37	VRS-CY1JD105F	AA		C	Resistor(1/16W 1.0MΩ ±1%) [R42]
38	VRS-CY1JD103J	AA		C	Resistor(1/16W 10KΩ ±5%) [R1,3,4,13-17,22,24-29,32]
	VRS-CY1JD103J	AA		C	Resistor(1/16W 10KΩ ±5%) [R33,43,44,58,74,77,78,97]
39	VRS-CY1JD132F	AA		C	Resistor(1/16W 1.3KΩ ±1%) [R35,36,38,39]
40	VRS-CY1JD203J	AA		C	Resistor(1/16W 20KΩ ±5%) [R6-12]
41	VRS-CY1JD243F	AA		C	Resistor(1/16W 24KΩ ±1%) [R41]
42	VRS-CY1JD433F	AA		C	Resistor(1/16W 33KΩ ±1%) [R40]
43	VRS-CY1JD471J	AA		C	Resistor(1/16W 470Ω ±5%) [R59,73,98]
44	VRS-CY1JD472F	AA		C	Resistor(1/16W 4.7KΩ ±1%) [R37]
45	VRS-CY1JD820J	AA		C	Resistor(1/16W 82Ω ±5%) [R46-57,95,96]
46	VSDTC114EK/-1	AB		B	Transistor(DTC114EK) [Q2]
47	VS2SA1162-Y-1	AB		B	Transistor(2SA-1162) [Q1]
48	VHEMTZJ6R8B-1	AC		B	Zener diode(MTZJ6.8B) [ZD4]
49	VHEMTZJ7R5C-1	AB		B	Zener diode(MTZJ7.5C) [ZD5]
50	QCNCW0072QSZZ	AF		C	Connector(16FMN-SMT-TF) [CN1]
51	VRS-CY1JD241J	AA		C	Resistor(1/16W 240Ω ±5%) [R105]
52	VHH333J07TH-1	AD		C	Thermistor(NTH5G16P40B333J07TH) [RT1]
53	VHEHZU3R3B2-1	AC		B	Zener diode(HZU3.3B2) [ZD6]
54	VCCCCY1HH271J	AA		C	Capacitor(50WV 270PF) [C1]
55	VCCCCY1HH470J	AA		C	Capacitor(50WV 47PF) [C2]
56	VCKYCY1HB103K	AA		C	Capacitor(50WV 0.01μF) [C75,76,77]
57	VCCCCY1HH820J	AA		C	Capacitor(50WV 82PF) [C71-73]
58	VHIFS781BZB-1	AP		B	IC(FS781BZB) [IC2]
59	VRS-CY1JD220J	AA		C	Resistor(1/16W 22Ω ±5%) [R18]
60	VRS-CY1JD332J	AA		C	Resistor(1/16W 3.3KΩ ±5%) [R23]
61	DHAi-0260QSZZ	AD		C	LCD Earth wire

39 KEY/LED R PWB

NO.	PARTS CODE	PRICE RANK	NEW MARK	PART RANK	DESCRIPTION
1	QCNCW0053QSZZ	AE		C	Connector(25FMN-STK) [CN1]
2	QSW-P0005QSZZ	AC		B	Tact switch(B3F-6102) [KEY1-25]
3	VHPLTC3650A-1	AL		B	LED(LTG-3650AG-01J) [LEDM1]
4	VHP1LHLE-002A	AC		B	LED(Green)(LTL-1LHLE-002A) [LED1,2,4]
5	VRD-HT2EY161J	AA		B	Resistor(1/4W 160Ω ±5%) [R1,2]
	(Unit)				
901	CPWBF0077QSE1	AT		E	KEY/LED R PWB

40 KEY/LED L PWB

NO.	PARTS CODE	PRICE RANK	NEW MARK	PART RANK	DESCRIPTION
1	QCNCW0073QSZZ	AE		B	Connector(15FMN-SMT-TF) [CN2]
2	QSW-P0005QSZZ	AC		B	Tact switch(B3F-6102) [KEY26,27,29,30,32,33,34-37]
3	VHP1LHLE-002A	AC		B	LED(Green)(LTL-1LHLE-002A) [LED5-13]
	(Unit)				
901	CPWBF0077QS52	BB		E	KEY/LED L PWB

43 GDI PWB

NO.	PARTS CODE	PRICE RANK	NEW MARK	PART RANK	DESCRIPTION
1	RMPTR4220ACZZ	AB		B	Block resistor(22Ω×4) [BR504, BR505]
2	RMPTR4330ACZZ	AB		B	Block resistor(33Ω×4) [BR501, BR502, BR503, BR506]
	RMPTR4330ACZZ	AB		B	Block resistor(33Ω×4) [BR507, BR508, BR509]
3	RMPTR4101ACZZ	AB		B	Block resistor(100Ω×4) [BR511, BR510]
4	RMPTR4102ACZZ	AB		B	Block resistor(4×1KΩ(1005)) [BR500]
5	VRS-CZ1JD000J	AA		C	Resistor(1/16W 0Ω ±5%) [R517, R534]
6	VRS-CZ1JD220J	AA		C	Resistor(1/16W 22Ω ±5%) [R525, R526, R527, R528]
	VRS-CZ1JD220J	AA		C	Resistor(1/16W 22Ω ±5%) [R529, R530, R531, R555, R556]
7	VRS-CZ1JD330J	AA		C	Resistor(1/16W 33Ω ±5%) [R504, R505, R511, R512]
	VRS-CZ1JD330J	AA		C	Resistor(1/16W 33Ω ±5%) [R513, R514, R520, R521]
	VRS-CZ1JD330J	AA		C	Resistor(1/16W 33Ω ±5%) [R540, R546, R547, R548, R551]
8	VRS-CZ1JD103J	AA		C	Resistor(1/16W 10KΩ ±5%) [R500, R501, R502, R503]
	VRS-CZ1JD103J	AA		C	Resistor(1/16W 10KΩ ±5%) [R507, R508, R510, R519]
	VRS-CZ1JD103J	AA		C	Resistor(1/16W 10KΩ ±5%) [R522, R523, R524, R538]
	VRS-CZ1JD103J	AA		C	Resistor(1/16W 10KΩ ±5%) [R539, R541, R542, R543]
	VRS-CZ1JD103J	AA		C	Resistor(1/16W 10KΩ ±5%) [R545, R552, R554, R558]
9	VCCCCZ1HH330J	AA		C	Capacitor(50WV 33PF) [C500, C501, C502, C503]
	VCCCCZ1HH330J	AA		C	Capacitor(50WV 33PF) [C504, C505, C506]
10	VCCCCZ1HH101J	AA		C	Capacitor(50WV 100PF) [C523, C524, C525, C526]
	VCCCCZ1HH101J	AA		C	Capacitor(50WV 100PF) [C527, C528, C529, C545]
	VCCCCZ1HH101J	AA		C	Capacitor(50WV 100PF) [C546, C547, C548, C549]
	VCCCCZ1HH101J	AA		C	Capacitor(50WV 100PF) [C550, C551, C552, C553, C554]
11	VCKYCZ1CF104Z	AB		C	Capacitor(16WV 0.1μF) [C510, C512, C513, C514]
	VCKYCZ1CF104Z	AB		C	Capacitor(16WV 0.1μF) [C515, C516, C517, C518]
	VCKYCZ1CF104Z	AB		C	Capacitor(16WV 0.1μF) [C519, C520, C521, C532]
	VCKYCZ1CF104Z	AB		C	Capacitor(16WV 0.1μF) [C537, C538, C539, C540]
	VCKYCZ1CF104Z	AB		C	Capacitor(16WV 0.1μF) [C541, C542, C543, C555]
	VCKYCZ1CF104Z	AB		C	Capacitor(16WV 0.1μF) [C558, C559, C560, C561]
	VCKYCZ1CF104Z	AB		C	Capacitor(16WV 0.1μF) [C562, C564, C565, C566]
12	VCEAPS1CC226M	AC		C	Capacitor(16WV 22μF) [C522, C511, C533, C536]
	VCEAPS1CC226M	AC		C	Capacitor(16WV 22μF) [C544, C557, C563]
13	QCNCW0025QSZZ	AL		C	Connector(TX24-60R-12) [CN502]
14	QSOCN0002ESZZ	AH		C	Connector(RBE42-36K1153) [CN503]
15	RFILZ0004QSZZ	AM		C	Filter(ZJSR5101-223) [NF500, NF501, NF503, NF504]
18	VHi74LVX16128	AP		B	IC(74LVX16128) [IC504]
19	VHiTC7W14FU-1	AF		B	IC(TC7W14FU) [IC501]
21	VHDAK03///-1	AC		B	Diode(AK03) [D500]
25	XBSSD30P06000	AA		C	Screw(3×6)
	(Unit)				
901	CPWBN0118QS32	BP	N	E	GDI PWB

44 USB PWB

NO.	PARTS CODE	PRICE RANK	NEW MARK	PART RANK	DESCRIPTION
1	RMPTR4330ACZZ	AB		B	Block resistor(33Ω×4) [BR1, BR2]
2	VRS-CZ1JD000J	AA		C	Resistor(1/16W 0Ω ±5%) [R6]
3	VRS-CZ1JD330J	AA		C	Resistor(1/16W 33Ω ±5%) [R2, R3]
4	VRS-CZ1JD102J	AA		C	Resistor(1/16W 1.0KΩ ±5%) [R8]
5	VRS-CZ1JD152J	AA		C	Resistor(1/16W 1.5KΩ ±5%) [R1]
6	VRS-CZ1JD103J	AA		C	Resistor(1/16W 10KΩ ±5%) [R7]
7	VCCCCZ1HH470J	AA		C	Capacitor(50WV 47PF) [C5, C6]
8	VCCCCZ1HH101J	AA		C	Capacitor(50WV 100PF) [C2, C8]
9	VCKYCZ1HB102K	AA		C	Capacitor(50WV 1000PF) [C1]
10	VCKYCZ1CF104Z	AB		C	Capacitor(16WV 0.1μF) [C3, C7, C10]
11	VCKYTV1CF105Z	AB		C	Capacitor(16WV 1μF) [C4]
12	VCEAPS1CC226M	AC		C	Capacitor(16WV 22μF) [C9]
13	VHDRB521S30-1	AC		B	Schottky diode(RB521S-30) [D4, D5]
14	QCNCW0069QSZZ	AK		C	Connector(TX24-30R-12ST-H1) [CN1]
16	RFILZ0004QSZZ	AM		C	Filter(ZJSR5101-223) [NF1]
19	VHEUDZS6.2B-1	AC		B	Zener diode(UDZS6.2B)(6.2V) [D1]
21	XBBSF30P08000	AA	N	C	Screw(3×8)
	(Unit)				
901	CPWBN0120QS31	BB	N	E	USB PWB

■ Index

PARTS CODE	NO.	PRICE RANK	NEW MARK	PART RANK
{ C }				
CARMM0023QS01	2- 28	AD		C
CARMP0028RS51	5-502	AY		E
CBOX-0001JS58	19-501	BM		E
CBOX-0007QSF8	7-501	CA	N	E
CBRC-0004QS03	25- 29	AF		C
CBRC-0004RS51	25-502	BA		E
CBRGP0010QS01	21- 17	AN		C
CBTN-0042QS01	7- 17	AN		C
CBTN-0043QS01	7- 13	AL		C
CBTN-0044QS01	7- 14	AG		C
CBTN-0045QS01	7- 18	AL		C
CBTN-0047QS31	7- 11	AQ		C
CCAB-0024RS51	5-501	AT		E
CCASP0004RS54	13-901	BG	N	E
CCASP0005RS54	30-901	BH	N	E
CCASZ0067FC01	35- 2	AD		D
CCOV-0027QS02	2- 31	AV		D
CCOVP0053RS53	15-502	AW		E
CCOVP0072RS54	19-502	AP		E
CCOVP0088RS51	15-503	AQ		E
CCOVP0089RS51	32-501	AQ		E
CDAiU0012QS09	10- 2	BM		D
"	11- 8	BM		D
CDAiU0024RS51	28- 13	BA		E
"	34-901	BA		E
CDAiU0024RS52	33- 13	BA		E
"	34-901	BA		E
CDOR-0002RS54	16-901	BK	N	E
CDSKA0017QS34	35- 2	CA	N	D
CFIX-0013QS01	1- 3	AK		D
CFRM-0029RS54	4- 14	BM	N	E
"	5-901	BM	N	E
CFRM-0030RS54	6-502	BK	N	E
CFRM-0038RS51	24-901	BX		E
"	25-901	BX		E
CFRM-0043QS02	8- 4	AX		D
CFRM-0044QS01	8- 23	BA		D
CFRM-0047QS51	26-502	AZ		E
CFRM-0048RS51	18-901	BG	N	E
CFRM-0049QS61	20- 6	BP		D
CFRM-0049RS51	20-901	BK		E
CFRM-0059QS04	21- 6	AZ		D
CFRM-0059RS56	22- 1	BT	N	D
CFRM-0060RS52	21- 23	BN	N	E
CGiDM0043RS56	6-501	BM	N	E
CGiDM0067RS51	15-501	AY		E
CGiDM0068RS51	32-502	AS		E
CGiDM0072RS51	26-901	BF		E
CGiDM0072RS61	26-501	BF		E
CGiDM0077QS01	1- 7	AL		C
CHAi-0213QS51	12- 7	AQ		C
CHAi-0214QS51	12- 8	AP		C
CHLDR0083RS56	16- 33	BH	N	E
CHLDZ0035RS53	20- 31	AZ		E
CLEVF0087QS02	22- 8	AM		C
CLEVF0088QS02	22- 7	AM		C
CLNS-0003RS52	11- 28	BP		E
CMiR-0008QS33	10- 7	BC		E
CMOTV0778FCE2	34- 1	AW		E
CPiPP0015QS51	20-501	AU		E
CPLTM0084QS02	10- 17	AK		C
CPLTM0160QS01	23- 3	AU		C
CPLTM0160RS52	23-901	BP	N	E
CPLTM0161QS01	23- 20	AN		C
CPLTM0168QS01	8- 6	AK		C
CPLTM0184QS02	25- 3	AG		C
CPLTM0184RS51	25-501	AY		E
CPLTM0216QS01	26- 2	AH		C
CPLTM0242QS01	18- 27	AF		C
CPLTM0282QS01	21- 30	AS		C
CPLTP0189QS01	7- 16	AG		C
CPLTP0190QS01	7- 15	AG		C
CPLTP0235QS71	6- 3	AQ		E
CPNLH0016QS01	7- 8	AZ		D
CPNLH0016RS81	2- 25	CB	N	E
"	7-901	CB	N	E
CPNLH0017QS01	7- 1	AP		C
CPNLH0020QS0G	1- 14	AQ	N	C

PARTS CODE	NO.	PRICE RANK	NEW MARK	PART RANK
CPWBF0017RS51	5- 7	AU		E
CPWBF0077QS52	40-901	BB		E
"	7- 27	BB		E
CPWBF0077QSE1	39-901	AT		E
"	7- 21	AT		E
CPWBF0080QSE2	27- 4	BF	N	E
"	41-901	BF	N	E
CPWBF0081RS51	14- 2	AU		E
CPWBF0082QSE1	31- 1	BB		E
"	33- 2	BB		E
"	42-901	BB		E
CPWBF0083RS51	11- 7	AU		E
"	24- 18	AU		E
CPWBF0084QS52	4- 47	BB		E
CPWBF0095RS51	31- 4	AU		E
CPWBN0118QS32	27- 33	BP	N	E
"	43-901	BP	N	E
CPWBN0120QS31	27- 25	BB	N	E
"	44-901	BB	N	E
CPWBX0090QSE1	27- 13	BB	N	E
CPWBX0110QS44	27- 10	CG	N	E
"	36-901	CG	N	E
CPWBX0111QS35	27- 1	CK	N	E
"	37-901	CK	N	E
CREFL0004QS33	10- 8	BL		E
"	9-901	BL		E
CROLP1115FC02	18- 10	AN		C
CSFTZ0023QS01	24- 21	AH		C
CSHEZ0244QS02	30- 15	AE		C
CSOU-0015RS54	4-502	BD	N	E
CSOU-0024RS51	17-901	BK	N	E
CSOU-0028RS52	4-501	BQ	N	E
CSW-M0007QS52	12- 36	BB		B
CTME-0021RS51	20-502	AK		E
{ D }				
DHAi-0065QSZZ	21- 10	AF		C
DHAi-0070QSZZ	4- 11	AH		C
DHAi-0071QSZZ	5- 8	AH		C
DHAi-0200QSZZ	27- 37	AS		C
"	9- 9	AS		C
DHAi-0201QSZZ	11- 30	AH		C
DHAi-0203QSZZ	11- 4	AL		C
"	27- 38	AL		C
DHAi-0205QSZZ	2- 32	AG		C
DHAi-0206QSZZ	7- 25	AE		C
DHAi-0208QSZZ	15- 20	AF		C
DHAi-0209QSZZ	14- 31	AG		C
DHAi-0210QSZZ	14- 32	AD		C
DHAi-0211QSZZ	12- 55	AG		C
DHAi-0212QSZZ	12- 56	AH		C
DHAi-0215QSZZ	12- 10	AR		C
DHAi-0216QSZZ	23- 25	AD		C
DHAi-0218QSZZ	28- 14	AD		C
DHAi-0219QSZZ	27- 6	AF		C
DHAi-0220QSZZ	28- 2	AK		C
DHAi-0221QSZZ	21- 12	AD		C
"	27- 36	AD		C
DHAi-0222QSZZ	27- 42	AR		C
"	28- 3	AR		C
DHAi-0223QSZZ	28- 31	AN		C
DHAi-0227QSZZ	33- 4	AV		C
DHAi-0228QSZZ	31- 29	AD		C
DHAi-0230QSZZ	31- 31	AF		C
DHAi-0231QSZZ	33- 17	AC		C
DHAi-0232QSZZ	12- 58	AH		C
"	27- 39	AH		C
DHAi-0233QSZZ	7- 26	AC		C
DHAi-0234QSZZ	7- 28	AC		C
DHAi-0235QSZ1	12- 14	AL		C
DHAi-0236QSZZ	17- 13	AN		C
DHAi-0237QSZZ	27- 40	AR		C
"	28- 7	AR		C
DHAi-0238QSZZ	14- 21	AH		C
"	27- 41	AH		C
DHAi-0242QSZZ	26- 10	AG		C
"	27- 34	AG		C
DHAi-0244QSZZ	3- 11	AD		C
DHAi-0246QSZZ	31- 17	AD		C
DHAi-0248QSZZ	4- 61	AE		C
DHAi-0249QSZZ	4- 46	AZ		C
DHAi-0251QSZZ	6- 11	AR		C

PARTS CODE	NO.	PRICE RANK	NEW MARK	PART RANK
DHA i-0256QSZZ	28- 8	AC		C
DHA i-0260QSZZ	38- 61	AD		C
DHA i-0263QSZZ	28- 22	AN		C
DHA i-0264QSZZ	24- 19	AK		C
"	25- 10	AK		C
"	27- 35	AK		C
DUNTK0034QSZZ	9- 8	BC		C
DUNTK0185RSZZ	12- 1	BW	N	E
DUNTW0171RSZ1	21-901	BZ	N	E
"	22-901	BZ	N	E
[G]				
GCAB-0022QSEZ	4- 16	AH		D
GCAB-0024QSEZ	5- 47	AM		D
GCAB-0025QSEZ	5- 1	AP		D
GCAB-0030QSZZ	29- 1	AP		D
GCAB-0031QSZZ	1- 12	AS		D
GCAB-0032QSZZ	1- 13	AQ		D
GCAB-0033QSZZ	1- 9	AK		D
GCAB-0034QSZZ	1- 10	AK		D
GCAB-0035QSZZ	1- 1	AK		D
GCAB-0036QSZZ	1- 2	AH		D
GCAB-0037QSZ1	2- 23	AM		D
GCAB-0038QSZZ	2- 26	AX		D
GCAB-0039QSZZ	2- 16	AR		D
GCAB-0040QSZZ	1- 6	AX		D
GCAB-0041QSZZ	2- 8	BA		D
GCAB-0042QSZZ	2- 1	AP		D
GCAB-0043QSZZ	2- 6	AN		D
GCAB-0049QSZZ	7- 9	AQ		D
GCAB-0050QSZZ	7- 2	AG		D
GCAB-0051QSZZ	4- 15	AP		D
GCASP0004QSZZ	13- 4	BA		D
GCASP0005QSZ1	30- 5	BA		D
GCOV-0028QSZZ	2- 2	BA		D
GCOV-0029QSZZ	2- 4	AR		D
GCOV-0030QSZZ	2- 5	AT		D
GCOV-0031QSZZ	2- 10	AK		D
GCOV-0032QSZZ	2- 27	AF		D
GCOV-0034QSZZ	2- 9	AK		D
GCOV-0042QSZZ	2- 38	AK		D
GCOV-0043QSZ1	2- 17	AS		D
GCOVA0025QSZZ	29- 5	AR		D
GCOVA0026QSZ1	32- 10	AM		D
GDOR-0002QSZZ	16- 2	AV		D
GDOR-0003QSZ1	2- 13	AP		D
GLEGG0064FCZZ	29- 15	AC		C
[J]				
JBTN-0046QSZZ	7- 12	AE		C
JHNDP0003QSZZ	30- 23	AR		C
JKNBZ0005QSZZ	6- 39	AE		C
JKNBZ0006QSZZ	12- 40	AD		C
JKNBZ0007QSZZ	6- 56	AD		C
[L]				
LANGF0013QSZZ	19- 47	AD		C
LBNDJ0013FCZ1	18- 43	AA		C
LBNDJ0043FCZ1	6- 64	AA		C
LBNDJ2003SCZZ	6- 12	AA		C
LBOSZ0061QSZZ	7- 22	AC		C
LBOSZ1508FCZZ	18- 14	AG		C
"	5- 19	AG		C
LBOSZ1510FCZZ	18- 17	AF		C
LBRC-0002QSZZ	25- 15	AD		C
LBRC-0003QSZZ	24- 5	AD		C
LBSHZ0006QSZZ	5- 49	AC		C
LBSHZ0303FCZZ	16- 4	AC		C
"	18- 13	AC		C
"	24- 25	AC		C
"	25- 16	AC		C
"	26- 23	AC		C
"	5- 20	AC		C
LCRA-0002QSZZ	11- 17	AC		C
LDA i-0023QSZ1	8- 11	BM		D
LDA iU0024QSZ1	34- 3	AH		D
LF iX-0009QSZZ	9- 10	AF		D
LF iX-0012QSZZ	1- 17	AK		D
LF iX-0014QSZZ	20- 19	AE		C
LF iX-0016FCZZ	28- 32	AD		C
LFRM-0028QSZ1	6- 31	AD		C
LFRM-0029QSE1	5- 35	AQ		C
LFRM-0030QSZ1	6- 18	AG		C
LFRM-0037QSZ1	12- 43	BD		D

PARTS CODE	NO.	PRICE RANK	NEW MARK	PART RANK
LFRM-0038QSZ2	24- 23	AX		D
LFRM-0039QSZZ	29- 7	BC		D
LFRM-0040QSZZ	16- 16	AV		D
LFRM-0047QSZZ	26- 5	AG		D
LFRM-0048QSZ1	18- 37	AT		D
LFRM-0058QSZZ	26- 6	AG		D
LFRM-0060QSZZ	22- 14	AS		D
LHLDR0072QSZZ	19- 31	AC		C
LHLDW0086QSZZ	21- 5	AB		C
"	27- 9	AB		C
LHLDW1009ACZZ	11- 5	AA		C
LHLDW1057FCZZ	28- 30	AB		C
LHLDW1061FCZZ	8- 14	AB		C
LHLDW1098HCZZ	3- 15	AB		C
LHLDW1226FCZZ	13- 2	AB		C
"	30- 2	AB		C
"	35- 10	AB		C
LHLDW1263FCZZ	6- 19	AC		C
LHLDW1334FCZZ	25- 34	AA		C
LHLDZ0001YSZZ	19- 35	AD		C
LHLDZ0017QSZZ	15- 13	AD		C
LHLDZ0043QSZZ	11- 19	AE		C
LHLDZ0047QSZ2	9- 3	AW		C
LHLDZ0056QSZZ	10- 10	AC		C
LHLDZ0057QSZZ	12- 9	AH		C
LHLDZ0058QSZZ	24- 12	AR		C
LHLDZ0062QSZZ	27- 7	AT		C
LHLDZ0065QSZ1	12- 37	AF		C
LHLDZ0066QSZZ	17- 10	AD		C
LHLDZ0070QSZ1	27- 16	AW		C
LHLDZ0071QSZZ	27- 12	AG		C
LHLDZ0082QSZZ	21- 7	AH		C
LHLDZ0084QSZZ	16- 20	AF		C
LHLDZ0085QSZZ	12- 28	AE		C
LHLDZ0094QSZZ	15- 38	AC		C
LHLDZ7021XCZZ	11- 25	AD		C
LP iN-0026MCZZ	14- 16	AA		C
"	31- 22	AA		C
LP iN-0277FCZZ	2- 30	AB		C
LP iNS0014QSZZ	7- 7	AC		C
LP iNS0015QSZZ	7- 10	AC		C
LP iNS0133FCZZ	16- 6	AA		C
LP iNS0258FCZZ	25- 19	AA		C
LP iNS0300FCZZ	12- 52	AD		C
LPLTM0001YSZZ	19- 25	AN		C
LPLTM0002YSZ1	19- 26	AP		C
LPLTM0090QSZZ	16- 28	AE		C
LPLTM0091QSZZ	16- 29	AE		C
LPLTM0092QSZZ	16- 32	AF		C
LPLTM0102QSZZ	16- 19	AD		C
LPLTM0109QSZ1	4- 40	AG		C
LPLTM0110QSEZ	4- 31	AF		C
LPLTM0111QSZZ	4- 45	AC		C
LPLTM0149QSZZ	12- 16	AD		C
LPLTM0162QSZZ	28- 5	AC		C
LPLTM0163QSZZ	8- 1	AK		C
LPLTM0165QSZZ	8- 20	AR		C
LPLTM0166QSZZ	8- 22	AC		C
LPLTM0176QSZZ	33- 33	AH		C
LPLTM0179QSZ1	13- 3	AR		C
"	30- 3	AR		C
LPLTM0180QSZ1	13- 19	AE		C
"	30- 20	AE		C
LPLTM0181QSZ1	13- 10	AB		C
"	30- 8	AB		C
LPLTM0194QSZZ	12- 45	AC		C
LPLTM0195QSZZ	24- 9	AC		C
LPLTM0203QSZ1	33- 20	AF		C
LPLTM0231QSZZ	8- 16	AX		C
LPLTM0232QSZZ	8- 3	AU		C
LPLTM0236QSZZ	29- 8	AG		C
LPLTM0237QSZZ	29- 16	AH		C
LPLTM0240QSZZ	29- 3	AC		C
LPLTM0241QSZZ	20- 4	AF		C
LPLTM0248QSZZ	12- 29	AE		C
LPLTM0249QSZZ	28- 15	AC		C
LPLTM0250QSZ1	22- 19	AC		C
LPLTM0251QSZZ	8- 24	AE		C
LPLTM0252QSZZ	28- 6	AD		C
LPLTM0266QSZZ	22- 26	AE		C
LPLTM0267QSZZ	24- 41	AE		C

PARTS CODE	NO.	PRICE RANK	NEW MARK	PART RANK
LPLTM0268QSZZ	24- 40	AF		C
LPLTM0270QSZZ	24- 39	AK		C
LPLTM0271QSZZ	24- 38	AK		C
LPLTM0274QSZZ	24- 42	AH		C
LPLTM0276QSZZ	15- 35	AE		C
LPLTM0277QSZZ	13- 23	AC		C
"	30- 27	AC		C
LPLTM4715FCZ1	9- 14	AF		C
LPLTM6022FCZZ	19- 20	AC		C
LPLTP0056QSZZ	18- 39	AD		C
LPLTP0107QSEZ	4- 3	AG		C
LPLTP0108QSEZ	4- 4	AG		C
LPLTP0117QSZZ	4- 63	AM		C
LPLTP0118QSZZ	6- 61	AK		C
LPLTP0131QSZZ	6- 50	AD		C
LPLTP0159QSZZ	13- 1	AD		C
"	30- 1	AD		C
LPLTP0185QSZ1	24- 13	AL		C
LPLTP0192QSZ1	29- 4	AL		C
LPLTP0230QSZZ	11- 13	AF		C
LPLTP0234QSZZ	17- 15	AE		C
LPLTP0243QSZZ	22- 15	AM		C
LPLTP0297QSZZ	15- 24	AC		C
"	32- 13	AC		C
LRALM0006QSZZ	10- 13	AG		C
LRALM0007QSZZ	10- 12	AG		C
LRALP0004QSZ1	16- 31	AH		C
LRALP0008QSZ1	15- 18	AQ		C
LRALP0009QSZZ	32- 19	AQ		C
LSOU-0015QSE1	4- 1	AV		D
LSOU-0016QSEZ	4- 13	AP	N	D
LSOU-0017QSE2	4- 2	AP		D
LSOU-0023QSZZ	3- 14	BA		D
LSOU-0024QSZZ	17- 4	AR		D
LSOU-0025QSZZ	17- 18	AS		D
LSOU-0026QSZZ	17- 11	AR		D
LSOU-0027QSZZ	17- 20	AQ		D
LSOU-0028QSZ1	4- 21	BE		D
LSOU-0033QSZZ	2- 24	AR		D
LSTPF0172FCZ1	21- 15	AA		C
LSTPP0001QSZZ	5- 5	AD		C
LSTPP0003QSZ1	25- 6	AC		C
LSTPP0010QSZZ	12- 33	AD		C
LSTPP0011QSZZ	32- 18	AC		C
LX-BZ0004QSZZ	10- 11	AB		C
"	11- 29	AB		C
LX-BZ0015QSZZ	35- 8	AF		D
LX-BZ0020QSZZ	12- 15	AB		C
LX-BZ0024QSZZ	10- 34	AA	N	C
"	1- 5	AA	N	C
"	2- 37	AA	N	C
"	27- 15	AA	N	C
LX-BZ0026QSZZ	19- 36	AD		C
LX-BZ0028QSZZ	21- 25	AC		C
LX-BZ0029QSZZ	22- 24	AC		C
LX-BZ0030QSZZ	3- 12	AC		C
LX-BZ0031GCZZ	11- 33	AB		C
LX-BZ0031QSZZ	27- 8	AC		C
LX-BZ0032QSZZ	16- 38	AB		C
LX-BZ0037QSZZ	29- 23	AB		C
LX-BZ0049FCZZ	10- 25	AB		C
LX-BZ0324FCZZ	10- 28	AA		C
LX-BZ0780FCZZ	24- 35	AC		C
LX-BZ0833FCZZ	13- 8	AC		C
"	30- 14	AC		C
LX-BZ0884FCZZ	13- 13	AB		C
"	30- 10	AB		C
LX-BZ3008SC0M	4- 50	AA		C
LX-RZ0001QSZZ	20- 27	AB		C
LX-WZ0001QSZZ	21- 14	AC		C
LX-WZ0015GCZZ	21- 32	AC		C
LX-WZ0119FCZZ	10- 31	AA		C
LX-WZ0329FCZZ	20- 26	AB		C
LX-WZ7021SCZZ	21- 26	AA		C
"	22- 27	AA		C
[M]				
MARMM0013QSZZ	5- 42	AF		C
MARMM0014QSZZ	5- 44	AE		C
MARMM0022QSZZ	2- 29	AC		C
MARMP0002QSZZ	5- 13	AD		C
MARMP0003QSZ1	5- 4	AD		C

PARTS CODE	NO.	PRICE RANK	NEW MARK	PART RANK
MARMP0006QSZZ	18- 19	AD		C
MARMP0008QSZZ	18- 38	AH		C
MARMP0009QSZZ	18- 8	AF		C
MARMP0015QSZZ	32- 5	AD		C
MARMP0018QSZZ	33- 6	AD		C
MARMP0019QSZZ	14- 11	AD		C
"	31- 24	AD		C
MARMP0021QSZZ	14- 15	AD		C
"	31- 20	AD		C
MARMP0025QSZZ	12- 5	AD		C
MARMP0026QSZZ	14- 9	AD		C
"	31- 10	AD		C
MARMP0027QSZ1	18- 36	AE		C
MARMP0028QSZZ	5- 34	AE		C
MARMP0041QSZZ	18- 18	AE		C
MARMP0043QSZZ	16- 9	AC		C
MCAMP0003QSZZ	18- 21	AD		C
MHNG-0013QSZZ	4- 19	AX		C
MHNG-0014QSZZ	4- 41	AX		C
MLEVF0041QSZZ	4- 44	AD		C
MLEVP0010QSZZ	5- 10	AE		C
MLEVP0023QSZZ	15- 11	AE		C
MLEVP0035QSE1	17- 16	AC		C
"	4- 9	AC		C
MLEVP0036QSZZ	4- 64	AD		C
MLEVP0037QSZZ	5- 36	AD		C
MLEVP0044QSZZ	15- 12	AE		C
MLEVP0047QSE1	6- 51	AD		C
MLEVP0055QSZ1	24- 15	AC		C
MLEVP0056QSZZ	14- 5	AC		C
MLEVP0057QSZZ	15- 22	AC		C
MLEVP0058QSZZ	16- 1	AE		C
MLEVP0062QSZZ	31- 7	AC		C
MLEVP0063QSZZ	14- 4	AD		C
"	31- 5	AD		C
MLEVP0064QSZZ	14- 3	AD		C
"	31- 6	AD		C
MLEVP0065QSZZ	20- 5	AE		C
MLEVP0067QSZ1	26- 25	AC		C
MLEVP0068QSZZ	3- 10	AC		C
MLEVP0069QSZZ	2- 12	AD		C
MLEVP0071QSZZ	12- 35	AD		C
MLEVP0073QSZ1	4- 60	AD		C
MLEVP0077QSZZ	11- 16	AC		C
MLEVP0084QSZZ	22- 11	AD		C
MLEVP0085QSZZ	22- 9	AD		C
MLEVP0086QSZZ	22- 18	AD		C
MLEVP0090QSZZ	5- 9	AC		C
MLEVP0755FCZ1	13- 6	AE		C
"	30- 13	AE		C
MLOKZ0001QSZZ	32- 2	AC		C
MSL i -0138FCZZ	9- 4	AC		C
MSPRC0040QSZZ	10- 16	AB		C
MSPRC0045QSZZ	20- 14	AA		C
MSPRC0062QSZZ	6- 4	AC		C
MSPRC0063QSZZ	6- 36	AB		C
MSPRC0141QSZZ	32- 1	AB		C
MSPRC0153QSZZ	6- 52	AB		C
MSPRC0195QSZZ	12- 48	AB		C
MSPRC0200QSZZ	23- 4	AB		C
MSPRC0209QSZ1	14- 24	AC		C
"	31- 11	AC		C
MSPRC0210QSZZ	13- 17	AC		C
"	30- 18	AC		C
MSPRC0213QSZZ	20- 30	AB		C
MSPRC0220QSZZ	12- 34	AB		C
MSPRC0230QSZZ	5- 33	AC		C
MSPRC0243QSZZ	15- 14	AC		C
MSPRC0248QSZ1	16- 18	AE		C
MSPRC0249QSZ1	16- 17	AE		C
MSPRC0250QSZZ	17- 6	AC		C
MSPRC0262QSZZ	23- 21	AC		C
MSPRC0263QSZZ	34- 13	AC		C
MSPRC0269QSZ1	21- 24	AD		C
MSPRC0270QSZZ	15- 26	AB		C
"	32- 16	AB		C
MSPRC0271QSZZ	12- 63	AC		C
MSPRC0291QSZZ	15- 4	AC		C
MSPRC0292QSZZ	15- 39	AC		C
MSPRC0295QSZZ	16- 23	AF		C
MSPRC0296QSZZ	16- 22	AF		C

PARTS CODE	NO.	PRICE RANK	NEW MARK	PART RANK
MSPRC1315FCZ1	18- 15	AD		C
"	8- 13	AD		C
MSPRC1316FCZ1	18- 22	AE		C
"	5- 18	AE		C
MSPRC1318FCZ1	12- 51	AA		C
"	18- 33	AA		C
MSPRC2175FCZZ	18- 31	AA		C
MSPRC2631FCZZ	13- 7	AC		C
"	30- 12	AC		C
MSPRD0092QSZZ	18- 28	AE		C
MSPRD0132QSZZ	5- 41	AC		C
MSPRD0133QSZZ	5- 37	AC		C
MSPRD0140QSZZ	5- 45	AC		C
MSPRD0154QSZZ	4- 53	AD		C
MSPRD0162QSZZ	4- 65	AC		C
MSPRD0189QSZZ	2- 11	AB		C
MSPRD0190QSZ1	12- 11	AD		C
MSPRD0191QSZ1	12- 12	AD		C
MSPRD0192QSZ1	12- 13	AD		C
MSPRD0194QSZ1	15- 3	AD		C
MSPRD0196QSZZ	25- 26	AC		C
MSPRD0198QSZZ	25- 23	AC		C
MSPRD0201QSZZ	14- 6	AC		C
MSPRD0202QSZZ	15- 21	AB		C
MSPRD0204QSZZ	31- 30	AC		C
MSPRD0205QSZZ	16- 30	AE		C
MSPRD0206QSZZ	14- 18	AC		C
"	31- 19	AC		C
MSPRD0208QSZZ	34- 12	AC		C
MSPRD0211QSZZ	4- 59	AC		C
MSPRD0212QSZZ	4- 52	AD		C
MSPRD0216QSZZ	25- 13	AD		C
MSPRD0218QSZZ	26- 11	AD		C
MSPRD0222QSZZ	16- 8	AC		C
MSPRD0224QSZZ	24- 14	AB		C
MSPRD0225QSZZ	25- 5	AC		C
MSPRD0232QSZZ	11- 15	AB		C
MSPRD0233QSZ1	15- 10	AC		C
MSPRD0251QSZZ	34- 12	AD		C
MSPRD0252QSZ1	22- 17	AC		C
MSPRD0253QSZZ	22- 16	AC		C
MSPRD0254QSZZ	22- 13	AC		C
MSPRD0255QSZZ	22- 2	AC		C
MSPRD0267QSZ1	4- 33	AC		C
MSPRD0268QSZ1	4- 34	AC		C
MSPRD0287QSZZ	15- 40	AC		C
"	32- 27	AC		C
MSPRK0001YSZZ	19- 33	AB		C
MSPRP0059QSZZ	4- 8	AD		C
MSPRP0060QSZZ	4- 39	AD		C
MSPRP0065QSZZ	6- 32	AD		C
MSPRP0123QSZZ	4- 38	AD		C
MSPRP0145QSZZ	9- 6	AF		C
MSPRP0150QSZZ	4- 71	AC		C
MSPRP0241QSZ1	32- 8	AC		C
MSPRP2830FCZZ	17- 14	AA		C
MSPRT0066QSZ1	5- 25	AC		C
MSPRT0067QSZ1	5- 14	AB		C
MSPRT0147QSZZ	18- 20	AC		C
MSPRT0197QSZZ	24- 16	AB		C
MSPRT0203QSZZ	33- 10	AC		C
MSPRT0214QSZZ	20- 28	AB		C
MSPRT0217QSZ1	25- 14	AC		C
MSPRT0221QSZZ	12- 39	AB		C
MSPRT0229GCAZ	2- 15	AC		C
"	24- 28	AC		C
"	26- 7	AC		C
MSPRT0257QSZ1	21- 19	AC		C
MSPRT0264QSZZ	18- 9	AC		C
MSPRT0279QSZZ	16- 14	AC		C
[N]				
NBLTT0002QSZZ	10- 29	AH		B
NBLTT0024QSZZ	25- 20	AG		B
NBLTT0026QSZZ	8- 19	AF		B
NBLTT0027QSZZ	6- 22	AF		B
NBLTT0028QSZZ	6- 59	AF		B
NBLTT0029QSZZ	33- 25	AG		B
NBRGC0017QSZZ	6- 29	AC		C
NBRGC0018QSZZ	12- 31	AD		C
NBRGC0019QSZZ	25- 18	AD		C
NBRGC0020QSZZ	19- 11	AH		C

PARTS CODE	NO.	PRICE RANK	NEW MARK	PART RANK
NBRGC0021QSZZ	19- 15	AD		C
NBRGC0100FCZ1	14- 19	AC		C
"	31- 18	AC		C
"	33- 5	AC		C
NBRGC0421FCZZ	16- 35	AC		C
NBRGC0529FCZZ	33- 32	AD		C
NBRGC2033SCZZ	5- 50	AC		C
NBRGM0501FCZZ	24- 10	AB		C
"	26- 16	AB		C
"	4- 29	AB		C
"	6- 25	AB		C
NBRGP0011QSZZ	10- 33	AC		C
NBRGP0012QSZZ	10- 22	AC		C
NBRGP0015QSZZ	5- 48	AC		C
NBRGP0041GCZZ	13- 21	AD		C
"	30- 21	AD		C
"	4- 67	AD		C
NBRGP0299FCZZ	20- 23	AC		C
NBRGY0022QSZZ	22- 4	AL		C
NBRGY2122SCZZ	24- 8	AB		C
"	25- 17	AB		C
"	26- 20	AB		C
NBRGZ0503FCZZ	32- 17	AC		C
NCPL-0003QSZZ	20- 7	AC		C
NCPL-0009QSZZ	23- 22	AC		C
NCPL-0011QSZZ	12- 49	AC		C
NFANP0004QSZZ	24- 31	BB		B
NFANP0006QSZZ	3- 5	AT		B
NGERH0001YSZZ	19- 14	AD		C
NGERH0010QSZZ	23- 12	AD		C
NGERH0011QSZZ	23- 17	AD		C
NGERH0027QSZZ	10- 30	AH		C
NGERH0036QSZZ	20- 16	AC		C
NGERH0037QSZZ	20- 20	AC		C
NGERH0038QSZZ	20- 21	AC		C
NGERH0039QSZZ	20- 18	AE		C
NGERH0061QSZZ	18- 7	AD		C
NGERH0066QSZZ	8- 17	AD		C
NGERH0067QSZZ	25- 8	AD		C
NGERH0068QSZ1	25- 7	AD		C
NGERH0073QSZZ	5- 16	AE		C
NGERH0074QSZZ	16- 5	AD		C
NGERH0079QSZZ	6- 26	AD		C
NGERH0080QSZZ	25- 21	AE		C
NGERH0082QSZZ	25- 22	AD		C
NGERH0083QSZZ	23- 24	AH		C
NGERH0084QSZZ	23- 7	AK		C
NGERH0085QSZZ	23- 9	AE		C
NGERH0086QSZZ	23- 10	AD		C
NGERH0087QSZZ	23- 11	AE		C
NGERH0090QSZZ	23- 6	AE		C
NGERH0091QSZZ	23- 23	AE		C
NGERH0092QSZZ	23- 13	AD		C
NGERH0093QSZZ	23- 14	AD		C
NGERH0095QSZZ	23- 16	AE		C
NGERH0096QSZZ	23- 19	AE		C
NGERH0097QSZZ	14- 20	AF		C
NGERH0102QSZZ	34- 4	AD		C
NGERH0103QSZZ	34- 6	AE		C
NGERH0104QSZZ	34- 9	AE		C
NGERH0105QSZZ	34- 10	AD		C
NGERH0107QSZZ	14- 17	AD		C
"	31- 21	AD		C
NGERH0108QSZZ	13- 16	AD		C
"	30- 17	AD		C
NGERH0109QSZZ	8- 8	AD		C
NGERH0110QSZZ	26- 18	AE		C
NGERH0111QSZZ	26- 17	AC		C
NGERH0112QSZZ	26- 19	AC		C
NGERH0113QSZZ	25- 24	AC		C
NGERH0114QSZZ	25- 25	AC		C
NGERH0116QSZ1	6- 23	AD		C
NGERH0117QSZZ	6- 28	AK		C
NGERH0119QSZZ	33- 11	AD		C
NGERH0121QSZZ	33- 24	AE		C
NGERH0135QSZZ	19- 10	AD		C
NGERH0136QSZZ	19- 16	AD		C
NGERH0152QSZZ	23- 18	AH		C
NGERH0153QSZZ	23- 5	AH		C
NGERH0155QSZZ	25- 27	AD		C
NGERH0156QSZZ	14- 23	AD		C

PARTS CODE	NO.	PRICE RANK	NEW MARK	PART RANK
NGERH0158QSZ1	34- 2	AE		C
NGERH0160QSZZ	21- 16	AR		C
NGERH0163QSZ1	16- 39	AG		C
NGERH0193FCZZ	13- 12	AB		C
"	30- 11	AB		C
"	4- 7	AB		C
NGERH0495FCZZ	18- 5	AC		C
NGERH0972FCZZ	18- 26	AB		C
NGERH0990FCZZ	14- 13	AB		C
"	31- 26	AB		C
"	5- 28	AB		C
NGERH0992FCZZ	5- 30	AB		C
NGERH1207FCZZ	33- 12	AF		C
NGERP1385FCZZ	17- 9	AF		C
NGERR0140QSZZ	17- 7	AD		C
NGERR0377FCZZ	4- 5	AD		C
NKOM-0005QSZZ	15- 27	AC		C
"	29- 13	AC		C
"	32- 21	AC		C
"	8- 26	AC		C
NKOM-0006QSZZ	15- 6	AC		C
NPLYZ0003QSZZ	10- 24	AM		C
NPLYZ0004QSZZ	10- 23	AG		C
NPLYZ0006QSZZ	10- 4	AD		C
NPLYZ0010QSZZ	5- 23	AE		C
NPLYZ0014QSZZ	8- 9	AC		C
NPLYZ0015QSZZ	8- 10	AC		C
NPLYZ0016QSZZ	10- 3	AF		C
NPLYZ0018QSZZ	6- 60	AE		C
NPLYZ0019QSZZ	6- 57	AE		C
NPLYZ0027QSZZ	33- 28	AD		C
NROLM0037QSZ4	24- 7	AR		C
NROLM0041QSZZ	6- 6	AR		C
NROLM0071QSZZ	19- 22	AZ		C
NROLP0008QSZZ	33- 30	AD		C
NROLP0011QSZZ	4- 26	AD		C
NROLP0024QSZZ	5- 27	AL		C
NROLP0036QSZZ	16- 12	AP		C
NROLP0049QSZZ	24- 3	AC		C
NROLP0059GCZZ	4- 62	AC		C
NROLP0072QSZZ	19- 9	AP		C
NROLP0079QSZZ	24- 4	AC		C
"	26- 14	AC		C
NROLP0087QSZZ	15- 41	AD		C
"	32- 28	AD		C
NROLP0091GCAZ	4- 36	AE		C
NROLP1060FCZZ	2- 14	AF		C
"	32- 7	AF		C
NROLP1122FCZZ	16- 15	AF		C
"	24- 27	AF		C
"	26- 8	AF		C
NROLR0051QSZ1	24- 24	AL		C
"	26- 22	AL		C
NROLR0052QSZZ	32- 15	AN		C
NROLR0054QSZZ	14- 10	AP		C
"	31- 27	AP		C
NROLR0055QSZ1	14- 14	AR		C
"	31- 23	AR		C
NROLR0056QSZ1	26- 9	AN		C
NROLR0058QSZZ	6- 40	AQ		C
NROLR0059QSZZ	6- 43	AR		C
NROLR0081QSZZ	22- 5	BD		C
NROLR0088QSZZ	21- 18	BB		C
NROLR0089QSZZ	12- 30	AQ		C
NROLR1051FCZZ	18- 4	AT		C
"	5- 31	AT		C
NSFTZ0009QSZZ	4- 37	AE		C
NSFTZ0011QSZZ	5- 32	AG		C
NSFTZ0013QSZZ	4- 28	AF		C
NSFTZ0017QSZZ	18- 25	AG		C
NSFTZ0018QSZ1	18- 11	AL		C
NSFTZ0020QSZZ	20- 22	AL		C
NSFTZ0028QSZZ	10- 27	AM		C
NSFTZ0032QSZZ	5- 21	AH		C
NSFTZ0035QSZ1	4- 35	AP		C
NSFTZ0042QSZZ	24- 1	AF		C
NSFTZ0043QSZ1	14- 29	AH		C
NSFTZ0044QSZZ	34- 7	AC		C
NSFTZ0045QSZZ	34- 5	AC		C
NSFTZ0047QSZZ	13- 18	AP		C
"	30- 19	AP		C

PARTS CODE	NO.	PRICE RANK	NEW MARK	PART RANK
NSFTZ0048QSZZ	15- 28	AG		C
"	29- 12	AG		C
"	32- 22	AG		C
"	8- 25	AG		C
NSFTZ0050QSZ1	31- 13	AH		C
NSFTZ0054QSZZ	32- 6	AE		C
NSFTZ0055QSZ1	16- 10	AN		C
NSFTZ0060QSZZ	34- 8	AC		C
NSFTZ0064QSZZ	15- 42	AD		C
"	32- 29	AD		C
NSFTZ0065QSZZ	15- 5	AD		C
NSRW-0002QSZZ	20- 3	AE		C
[P]				
PBOX-0001YS11	19- 18	AP		D
PBOX-0006QSZZ	3- 8	AF		D
PBOX-0013QSZZ	3- 3	AK		C
PBRSR0019QSZZ	24- 6	AK		B
PBRSR0020QSZ1	26- 4	AH		B
PBRSR0021QSZ1	26- 3	AG		B
PBRSS0008QSZZ	6- 7	AH		B
PCAPH0009QSZZ	20- 2	AC		D
PCAPH0023FCZZ	27- 30	AC		D
PCAPH1005ACZZ	27- 32	AC		D
PCASZ0010QSZZ	11- 24	AL		D
PCLC-0006QSZZ	12- 19	AU		B
PCLC-0011QSZZ	33- 26	AS		B
PCLC-0012QSZZ	14- 28	AS		B
PCLC-0013QSZZ	6- 58	AT		B
PCLC-0014QSZZ	33- 7	AS		B
PCOVP0039QSE2	4- 12	AQ		D
PCOVP0053QSZ2	15- 2	AP		D
PCOVP0055QSZZ	18- 1	AL		D
PCOVP0057QSZZ	20- 17	AG		D
PCOVP0061QSZ1	34- 11	AH		D
PCOVP0062QSZZ	12- 32	AD		D
PCOVP0063QSZZ	29- 10	AD		D
PCOVP0064QSZZ	14- 7	AD		D
"	31- 8	AD		D
PCOVP0066QSZZ	8- 21	AC		D
PCOVP0070QSZZ	31- 2	AD		D
PCOVP0072QSZZ	19- 5	AK		D
PCOVP0073QSZZ	19- 38	AG		D
PCOVP0075QSZZ	11- 1	AE		D
PCOVP0076QSZZ	15- 15	AC		D
PCOVP0083QSZZ	21- 1	AW		D
PCOVP0084QSZZ	33- 1	AE		C
PCOVP0085QSZZ	3- 2	AP		D
PCOVP0088QSZZ	15- 25	AD		D
PCOVP0089QSZZ	32- 12	AD		D
PCUSF0334FCZZ	9- 11	AP		C
PCUSG0190FCZ1	10- 20	AB		C
"	11- 9	AB		C
PCUSS0011QSZZ	1- 22	AB		C
PCUSS0022QSZZ	4- 22	AW	N	C
PCUSU0203FCZZ	9- 5	AE		C
PDUC-0003QSZ1	24- 30	AG		C
PDUC-0004QSZZ	3- 6	AL		C
PFiLZ0004QSZZ	24- 32	AM		B
PFiLZ0011QSZ1	2- 18	AQ		B
PGiDH0044QSZZ	6- 41	AK		C
PGiDH0046QSZ1	6- 8	AK		C
PGiDH0092QSZ1	21- 13	AF		C
PGiDM0043QSE1	6- 33	AQ		C
PGiDM0045QSE4	6- 5	AN		C
PGiDM0047QSEZ	5- 46	AN		C
PGiDM0054QSE1	10- 35	AG		C
PGiDM0055QSEZ	10- 37	AG		C
PGiDM0065QSZ1	24- 26	AY		C
PGiDM0066QSZZ	28- 11	AK		C
PGiDM0067QSZ1	15- 9	AR		C
PGiDM0068QSZZ	32- 4	AP		C
PGiDM0070QSZ1	13- 5	AM		C
"	30- 6	AM		C
PGiDM0071QSZZ	13- 11	AL		C
"	30- 9	AL		C
PGiDM0072QSZZ	26- 21	AU		C
PGiDM0074QSZZ	32- 23	AK		C
PGiDM0075QSZZ	17- 1	AF		C
PGiDM0076QSZZ	17- 2	AF		C
PGiDM0085QSZZ	19- 1	AP		C
PGiDM0086QSZZ	19- 2	AQ		C

PARTS CODE	NO.	PRICE RANK	NEW MARK	PART RANK
PGIDM0091QSZ1	21- 20	AQ		C
PGLSP0003QSZZ	1- 11	BA		B
PGLSP0004QSZZ	1- 19	AX		B
PGSK-0008QSZZ	11- 39	AF		C
PGUMM0005QSZZ	24- 2	AD		C
PGUMS0002QSZZ	10- 18	AL		C
PMIR-0009QSZZ	9- 7	AS		B
PMLT-0002YSZZ	19- 6	AC		C
PMLT-0005YSZZ	19- 8	AB		C
PMLT-0006YSZZ	19- 7	AB		C
PMLT-0018QSZ1	20- 24	AC		C
PMLT-0027QSZZ	24- 33	AC		C
PMLT-0043QSZZ	3- 13	AE		C
PMLT-0050QSZZ	2- 54	AD		C
PMLT-0057QSZ1	2- 47	AE		C
PMLT-0059QSZ1	2- 48	AD		C
PMLT-0065QSZ1	2- 57	AG		C
PMLT-0066QSZZ	24- 37	AA		C
PPIPP0010QSZZ	5- 17	AD		C
PPIPP0014QSZZ	18- 23	AC		C
PPIPP0015QSZZ	20- 13	AG		C
PPIPP0109FCZZ	18- 16	AB		C
PRDAZ0002QSZZ	25- 36	AD		C
PREFL0004QSZZ	9- 1	AP		D
PRNGP0090FCZZ	4- 66	AA		C
PSEL-0025QSZZ	19- 21	AA		C
PSEL-0035QSZZ	19- 3	AE		C
PSEL-0037QSZ1	19- 13	AG		C
PSEL-0070QSZZ	20- 11	AF		C
PSEL-0071QSZZ	20- 10	AF		C
PSEL-0114QSZZ	19- 39	AC		C
PSEL-0115QSZZ	19- 40	AD		C
PSEL-0116QSZZ	19- 46	AB		C
PSEL-0117QSZZ	19- 43	AB		C
PSEL-0124QSZZ	19- 44	AB		C
PSEL-0132QSZZ	19- 23	AG		C
PSEN-0001QSZZ	19- 27	AC		C
PSHEP0035YSZZ	19- 19	AB		C
PSHEP0324QSZZ	19- 49	AC		C
PSHEP3029FCZZ	6- 21	AA		C
PSHEZ0065QSZZ	8- 7	AB		C
PSHEZ0069QSZZ	4- 43	AE		C
PSHEZ0077QSZ1	4- 23	AE		C
PSHEZ0078QSZZ	4- 25	AF		C
PSHEZ0099QSZZ	18- 3	AC		C
PSHEZ0108QSZZ	11- 31	AC		C
PSHEZ0109QSZZ	11- 22	AC		C
PSHEZ0133QSZZ	15- 7	AD		C
PSHEZ0207QSZZ	1- 20	AC		C
PSHEZ0208QSZZ	1- 23	AC		C
PSHEZ0215QSZZ	4- 58	AD		C
PSHEZ0217QSZZ	11- 21	AC		C
PSHEZ0218QSZZ	11- 20	AC		C
PSHEZ0219QSZZ	11- 32	AC		C
PSHEZ0220QSZ1	1- 4	AK		C
PSHEZ0221QSZZ	1- 18	AC		C
PSHEZ0222QSZZ	1- 21	AC		C
PSHEZ0241QSZZ	18- 42	AB		C
PSHEZ0242QSZZ	15- 17	AK		C
PSHEZ0244QSZZ	13- 14	AC		C
PSHEZ0249QSZZ	33- 31	AB		C
PSHEZ0250QSZZ	33- 29	AB		C
PSHEZ0252QSZZ	6- 55	AF		C
PSHEZ0254QSZZ	11- 34	AC		C
PSHEZ0266QSZ1	21- 27	AK		C
PSHEZ0268QSZZ	4- 42	AC		C
PSHEZ0269QSZZ	27- 20	AC		C
PSHEZ0273QSZZ	11- 38	AB		C
PSHEZ0274QSZZ	13- 22	AC		C
"	30- 4	AC		C
PSHEZ0281QSZZ	2- 45	AC		C
PSHEZ0282QSZZ	3- 19	AC		C
PSHEZ0283QSZZ	3- 20	AB		C
PSHEZ0284QSZZ	4- 49	AB		C
PSHEZ0285QSZZ	4- 30	AB		C
PSHEZ0286QSZZ	3- 17	AE		C
PSHEZ0292QSZZ	3- 16	AD		C
PSHEZ0293QSZZ	7- 36	AD		C
PSHEZ0294QSZZ	7- 37	AD		C
PSHEZ0296QSZZ	3- 18	AA		C
PSHEZ0301QSZZ	15- 33	AC		C

PARTS CODE	NO.	PRICE RANK	NEW MARK	PART RANK
PSHEZ0301QSZZ	32- 25	AC		C
PSHEZ0302QSZZ	15- 34	AC		C
"	32- 26	AC		C
PSHEZ0307QSZ1	16- 34	AB		C
PSHEZ0314QSZ1	15- 43	AF	N	C
PSHEZ0315QSZZ	8- 34	AB		C
PSHEZ0316QSZZ	25- 35	AD		C
PSHEZ0319QSZZ	8- 32	AC		C
PSHEZ0320QSZZ	8- 33	AB		C
PSHEZ0322QSZZ	15- 36	AD		C
PSHEZ0325QSZZ	29- 22	AB		C
"	8- 36	AB		C
PSHEZ0330QSZZ	16- 36	AC		C
PSHEZ0333QSZZ	8- 35	AC		C
PSHEZ0335QSZZ	16- 37	AB		C
PSHEZ0341QSZZ	25- 37	AA		C
PSHEZ0378QSZZ	15- 23	AG		C
"	32- 14	AG		C
PSHEZ0391QSZZ	14- 36	AC		C
PSHEZ0392QSZZ	14- 37	AB		C
PSHEZ0393QSZZ	14- 38	AA		C
PSHEZ0394QSZZ	12- 65	AB		C
PSHEZ0397QSZZ	6- 42	AF		C
PSHEZ1394FCZZ	35- 2	AC		D
PSHEZ2174FCZZ	6- 1	AB		C
PSHT-0004QSZ1	20- 12	AC		C
PSPAF0030QSZZ	27- 3	AG	N	C
PSPAN0025QSZZ	27- 2	AE	N	C
PSPAP0023QSZZ	19- 34	AC		C
PSPAP0036QSZZ	19- 45	AC		C
PSPAZ0696FCZZ	20- 15	AC		C
PSPO-0002QSZZ	5- 2	AC		C
PSPO-0003QSZZ	4- 72	AC		C
PSPO-0004QSZZ	4- 69	AB		C
"	6- 63	AB		C
PSPO-0020QSZZ	4- 27	AB		C
PSPO-0021QSZZ	24- 20	AD		C
PSPO-0022QSZZ	6- 10	AB		C
PSPO-0023QSZZ	4- 51	AB		C
PSPO-0025QSZZ	29- 20	AC		C
PSPO-0026QSZZ	15- 37	AA		C
PTME-0014QSZZ	22- 12	AK		C
PTME-0015QSZZ	6- 34	AD		C
PTME-0019QSZZ	5- 26	AD		C
PTME-0020QSZ1	16- 7	AC		C
PTME-0021QSZZ	20- 25	AK		C
PTME-0024QSZZ	21- 21	AN		C
PTME-0178FCZZ	18- 30	AC		C
PTME-0179FCZZ	18- 34	AC		C
PTME-0271FCZZ	17- 5	AD		C
PTPE-0016QSZZ	12- 60	AC		C
PTPE-0018QSZZ	6- 47	AC		C
PTPE-0021QSZZ	13- 9	AD		C
"	30- 7	AD		C
PWIR-0005QSZ1	10- 6	AQ		C
PWIR-0006QSZZ	10- 1	AQ		C
[Q]				
QACCD741BQCZZ	28- 19	AS		A
QCNCM0016QSZZ	36- 1	AL		C
QCNCM0040QSZZ	36- 2	AL		C
QCNCM0059GCZZ	36- 3	AC		C
QCNCM0068QSZZ	36- 4	AL		C
"	42- 25	AL		C
QCNCM0071QSZZ	42- 1	AL		C
QCNCM0542FCZZ	36- 5	AC		C
QCNCM0860FCZZ	36- 12	AB		C
QCNCM0861FCZZ	36- 13	AB		C
"	38- 2	AB		C
QCNCM0876FCZZ	36- 14	AB		C
QCNCM0877FCZZ	36- 7	AF		C
QCNCM0878FCZZ	36- 8	AF		C
QCNCM0880FCZZ	36- 9	AF		C
QCNCM0923FC10	36- 10	AE		C
QCNCM0923FC14	36- 11	AE		C
QCNCM0923FC24	36- 6	AF		C
QCNCM0999FCZZ	6- 17	AC		C
QCNCM1003FCZZ	6- 15	AD		C
QCNCM1004FCZZ	6- 16	AD		C
QCNCM1005MCZZ	36- 15	AB		C
QCNCM1006MCZZ	36- 16	AB		C
QCNCM2401SC0C	42- 2	AB		C

PARTS CODE	NO.	PRICE RANK	NEW MARK	PART RANK
QCNCM2401SC0D	36- 17	AC		C
QCNCM7014SC0C	42- 3	AA		C
QCNCM7014SC0D	36- 18	AB		C
QCNCM7014SC0E	37- 2	AB		C
QCNCM7014SC0H	36- 19	AB		C
"	42- 4	AB		C
QCNCM7014SC1D	36- 20	AC		C
QCNCM7014SC1J	41- 6	AC		C
QCNCM7022SC0H	36- 21	AD		C
QCNCM7022SC1B	36- 22	AD		C
QCNCP0340QCZZ	42- 5	AC		C
QCNCP0341QCZZ	42- 6	AC		C
QCNCW0015QSZZ	41- 5	AE		C
QCNCW0018ESZZ	36- 23	AB		C
QCNCW0024QSZZ	36- 24	AF		C
QCNCW0025QSZZ	43- 13	AL		C
QCNCW0034QSZZ	37- 3	AL		C
QCNCW0042QSZZ	36- 25	AD		C
QCNCW0050QSZZ	38- 3	AD		C
QCNCW0051QSZZ	38- 4	AD		C
QCNCW0053QSZZ	38- 5	AE		C
"	39- 1	AE		C
QCNCW0061QSZZ	41- 1	AE		C
QCNCW0069QSZZ	44- 14	AK		C
QCNCW0070QSZZ	36- 26	AF		C
QCNCW0072QSZZ	38- 50	AF		C
QCNCW0073QSZZ	40- 1	AE		B
QCNCW0074QSZZ	36- 27	AD		C
QCNCW0076QSZZ	41- 3	AH		C
QCNCW0077QSZZ	41- 2	AK		C
QCNCW0885FCZZ	36- 28	AG		C
QSOCN0002ESZZ	43- 14	AH		C
QSOCZ0001QSZZ	37- 4	AL		C
QSOCZ0002QSZZ	36- 29	AD		C
QSW-B0003QSZZ	14- 22	AF		B
"	17- 12	AF		B
"	26- 15	AF		B
"	31- 14	AF		B
QSW-C9292QCZZ	28- 20	AN		B
QSW-C9293QCZZ	28- 21	AG		B
QSW-P0005QSZZ	39- 2	AC		B
"	40- 2	AC		B
{R}				
RALMB1002LCZZ	38- 6	AE		B
RC-EZ1073QCZZ	36- 30	AF		C
RCiLF2060HCZZ	37- 41	AC		C
RCiLZ0003QSZZ	36- 31	AC		C
"	41- 32	AC		C
RCORF0002QSZZ	11- 26	AE		C
"	12- 59	AE		C
"	27- 21	AE		C
"	7- 35	AE		C
RCORF0017QSZZ	12- 61	AG		C
RCORF0026FCZZ	4- 56	AL		C
RCORF1036ACZZ	33- 16	AP		C
RCRSP0016QSZZ	37- 5	AD		B
"	38- 8	AD		B
RCRSZ0001QSZZ	36- 32	AG		B
"	38- 7	AG		B
RCRUA0001QSZZ	36- 33	AP		B
RCRUA0002QSZZ	37- 6	AP		B
RCRUA0003QSZZ	36- 34	AP		B
"	37- 7	AP		B
RDENU0003QS11	28- 28	BY		E
RDTCM0011QSZZ	19- 28	AZ		B
RDTCT0006QSZZ	6- 35	AL		B
RDTCT0010QSZZ	21- 8	AN		B
RFiLN0006QSZZ	36- 35	AE		C
RFiLN0007QSZZ	36- 36	AF		C
RFiLZ0004QSZZ	36- 37	AM		C
"	43- 15	AM		C
"	44- 16	AM		C
RH-DZ0016FCZZ	36- 38	AB		B
RHET-0006QSZZ	29- 6	AQ		B
RH-iX0001QSZZ	37- 39	BD	N	B
RH-iX0002QSZZ	36- 39	AZ		B
"	37- 40	AZ		B
RH-iX0003QSZZ	36- 40	AQ		B
"	37- 28	AQ		B
"	38- 23	AQ		B
RH-iX0005ESZZ	36- 41	AE		B

PARTS CODE	NO.	PRICE RANK	NEW MARK	PART RANK
RH-iX0006ESZZ	36- 42	AE		B
"	37- 8	AE		B
RLMPU0012QSZZ	9- 2	BG		B
RLMPU0019QSZZ	21- 11	BA		B
RMOTD0023QSZZ	12- 47	AZ		B
RMOTP0020QSZZ	6- 13	BC		B
RMOTP0024QSZZ	25- 30	AW		B
RMOTP0025QSNA	23- 2	BF		B
RMOTP0027QSZZ	10- 15	BG		B
RMOTP0029QSNA	25- 2	AV		B
RMPTR4101ACZZ	43- 3	AB		B
RMPTR4102ACZZ	43- 4	AB		B
RMPTR4220ACZZ	43- 1	AB		B
RMPTR4330ACZZ	43- 2	AB		B
"	44- 1	AB		B
RMPTW4000QCJJ	36- 43	AB		B
"	38- 9	AB		B
RMPTW4100QCJJ	36- 44	AA		B
RMPTW4102QCJJ	36- 45	AB		B
RMPTW4103QCJJ	36- 46	AB		B
"	37- 9	AB		B
"	38- 10	AB		B
RMPTW4222QCJJ	36- 47	AB		B
RMPTW4330QCJJ	36- 48	AB		B
"	37- 10	AB		B
"	38- 11	AB		B
RPLU-0004QSZ1	5- 11	AQ		B
RPLU-0011QSZZ	4- 68	AQ		B
RPLU-0015QSZZ	6- 62	AS		B
RPLU-0024QSZZ	12- 50	AM		B
RPLU-0026QSZ1	14- 8	AR		B
"	31- 9	AR		B
RPLU-0027QSZZ	25- 28	AU		B
RPLU-0028QSZZ	18- 32	AM		B
RTHM-0003QSZZ	21- 3	AL		B
{S}				
SPAKA0134RSZZ	35- 14	AL		D
SPAKA0290QSZZ	35- 7	BD	N	D
SPAKA0293QSZZ	35- 3	AU	N	D
SPAKA0294QSZZ	35- 4	AU	N	D
SPAKA0295QSZ1	35- 6	AN		D
SSAKA2343QCZZ	35- 13	AA		D
SSAKA3001CCZZ	35- 12	AA		D
SSAKZ0019FCZZ	35- 5	AM		D
{T}				
TCADZ0010QSZZ	35- 9	AC		D
TCADZ1275FCZZ	35- 11	AB		D
TCAUA0770FCZZ	2- 55	AB		C
TCAUH0007QSZZ	12- 62	AD		C
TCAUH0016QSZZ	19- 41	AC		C
TCAUH0933FCZZ	9- 15	AB		C
TiNSE0812QSZZ	35- 2	AZ	N	D
TiNSE0813QSZZ	35- 2	AT	N	D
TiNSE0814QSZZ	35- 2	AS	N	D
TiNSE0815QSZZ	35- 2	AR	N	D
TLABH0269QSZ2	35- 2	AF		D
TLABH0289QSZZ	22- 21	AA		C
TLABH0302QSZZ	1- 15	AG		C
TLABH0308QSZZ	22- 22	AF		C
TLABH0360QSZZ	2- 58	AD		C
{U}				
UCLEZ0011QSZZ	20- 32	AT		D
UKOGZ0002FCZZ	35- 2	AD		D
UYOK-0011FCZZ	35- 2	AA		D
{V}				
VCCCCY1HH100J	37- 11	AA		C
VCCCCY1HH101J	36- 49	AA		C
"	37- 12	AA		C
VCCCCY1HH120J	36- 50	AA		C
VCCCCY1HH150J	37- 42	AB		C
VCCCCY1HH220J	36- 51	AA		C
VCCCCY1HH271J	38- 54	AA		C
VCCCCY1HH470J	36- 52	AA		C
"	37- 13	AA		C
"	38- 55	AA		C
VCCCCY1HH6R0D	36- 53	AA		C
"	38- 12	AA		C
VCCCCY1HH820J	38- 57	AA		C
VCCCCZ1HH101J	43- 10	AA		C
"	44- 8	AA		C
VCCCCZ1HH330J	43- 9	AA		C

PARTS CODE	NO.	PRICE RANK	NEW MARK	PART RANK
VCCCCZ1HH470J	44- 7	AA		C
VCCUCY1AJ105Z	36- 54	AC		C
VCEAGA1CW226M	41- 8	AB		C
VCEAGA1HW105M	41- 10	AB		C
VCEAGA1VW226M	41- 9	AC		C
VCEAGA1VW476M	41- 7	AB		C
VCEAGU1CW106M	42- 7	AA		C
VCEAPS0JC107M	36- 55	AC		C
VCEAPS1CC106M	36- 56	AC		C
"	37- 14	AC		C
VCEAPS1CC226M	36- 57	AC		C
"	37- 15	AC		C
"	38- 13	AC		C
"	43- 12	AC		C
"	44- 12	AC		C
VCEAPS1CC476M	36- 58	AC		C
"	38- 14	AC		C
VCEAPS1EC106M	36- 59	AC		C
"	38- 15	AC		C
VCEAPS1VC106M	36- 60	AC		C
VCEAPS1VC226M	36- 61	AC		C
VCEAPS1VC475M	38- 16	AC		C
VCEAPS1VC476M	36- 62	AD		C
"	38- 17	AD		C
VCEAZA1VW476M	42- 8	AC		C
VCKYCY1EB103K	37- 16	AC		C
VCKYCY1EB223K	36- 63	AA		C
VCKYCY1EF104Z	36- 64	AA		C
"	37- 17	AA		C
"	38- 18	AA		C
"	41- 11	AA		C
"	42- 9	AA		C
VCKYCY1HB102K	36- 65	AA		C
"	37- 18	AA		C
"	41- 16	AA		C
"	42- 10	AA		C
VCKYCY1HB103K	36- 66	AA		C
"	38- 56	AA		C
VCKYCY1HB222K	36- 67	AA		C
"	41- 13	AA		C
"	42- 11	AA		C
VCKYCY1HB223K	38- 19	AC		C
VCKYCY1HB332K	36- 68	AA		C
"	41- 14	AA		C
VCKYCY1HB471K	41- 15	AB		C
VCKYCY1HF473Z	36- 69	AA		C
"	41- 12	AA		C
"	42- 12	AA		C
VCKYCZ1CF104Z	43- 11	AB		C
"	44- 10	AB		C
VCKYCZ1HB102K	44- 9	AA		C
VCKYTV1CF105Z	44- 11	AB		C
VHD1N4005E/-1	36- 70	AB		B
"	37- 19	AB		B
VHDAK03///-1	43- 21	AC		B
VHDD1FL20U/-1	36- 71	AD		B
"	41- 33	AD		B
VHDDA204K// -1	36- 72	AC		B
VHDDSS133// -1	36- 73	AA		B
"	38- 20	AA		B
VHDRB521S30-1	44- 13	AC		B
VHEHZU3R3B2-1	38- 53	AC		B
VHEMTZJ6R8B-1	38- 48	AC		B
VHEMTZJ7R5C-1	38- 49	AB		B
VHEUDZ15B// -1	41- 34	AC		B
VHEUDZ3.9B/-1	36- 74	AC		B
"	42- 13	AC		B
VHEUDZS5.6B-1	36- 75	AC		B
VHEUDZS6.2B-1	44- 19	AC		B
VHH103AT-2B-1	36- 76	AF		B
VHH333J07TH-1	38- 52	AD		C
VH129L04034QS	38- 1	BA	N	E
VH129L04036QS	37- 1	BA	N	B
VH129L08062QS	36-139	BA	N	B
VH174HC151M-1	42- 14	AD		B
VH174HCT244MF	38- 27	AH		B
VH174LCX00M-1	37- 20	AE		B
VH174LVX08M-1	36- 77	AE		B
VH174LVX16128	43- 18	AP		B
VH174LVX32M-1	38- 28	AE		B
VH1FS781BZB-1	36- 80	AP		B

PARTS CODE	NO.	PRICE RANK	NEW MARK	PART RANK
VH1FS781BZB-1	37- 21	AP		B
"	38- 58	AP		B
VH1H8S2320+-1	36- 81	AY		B
"	37- 22	AY		B
"	38- 21	AY		B
VH1HG73C0792C	36- 82	BF		B
VH1HG73C093-1	37- 23	BD		B
VH1HG73C0941C	36- 83	BD		B
VH1Hi207ECB-1	41- 31	AN		B
VH1iCS9179M-1	37- 24	AR		B
VH1iP00C402-1	37- 25	BF		B
VH1KA7805AP-1	36- 84	AE		B
VH1LCX16374-1	37- 26	AM		B
VH1LCX244WM-1	36- 85	AG		B
"	37- 27	AG		B
VH1LM358DR+-1	36- 86	AF		B
VH1LVX4245M-1	36- 87	AL		B
VH1M51953BL-1	36- 88	AF		B
VH1M51957BFP1	36- 89	AH		B
VH1MTD13611-1	36- 90	AR		B
VH1MTD13612-1	41- 30	AR		B
VH1NJM2903M/-	36- 91	AD		B
VH1PM2060BA-1	37- 29	BK		B
VH1STA401A/-1	36- 92	AP		B
VH1T62001AF-1	36- 93	AG		B
VH1T62001AP-1	42- 15	AH		B
VH1TA7291S/-1	36- 94	AF		B
VH1TC7W14FU-1	43- 19	AF		B
VH1TD62503F/-	36- 95	AG		B
"	41- 29	AG		B
VH1TD62785F//	38- 25	AN		B
VH1ULN2003AN1	38- 26	AE		B
VH1VHC139MX-1	36- 96	AF	N	B
VH1VHC164MX-1	36- 97	AF		B
"	37- 30	AF		B
VHP1LHLE-002A	39- 4	AC		B
"	40- 3	AC		B
VHPGM1ZV403-1	38- 30	AD		B
VHPGP1A71A1-1	25- 9	AG		B
"	4- 10	AG		B
"	6- 53	AG		B
VHPGP1S44S/-1	26- 12	AK		B
VHPGP1S73P+-1	11- 14	AF		B
"	14- 30	AF		B
"	15- 19	AF		B
"	17- 19	AF		B
"	21- 22	AF		B
"	26- 13	AF		B
"	3- 9	AF		B
VHPGP2D03// -1	11- 3	BA		B
VHPGP2D032/-1	11- 11	BA		B
VHPLT1ZE40A-1	38- 29	AE		B
VHPLTC3650A-1	39- 3	AL		B
VHV1CPN38// -1	36- 98	AF		B
"	41- 26	AF		B
"	42- 16	AF		B
VHV1CPN50// -1	42- 17	AE		B
VHV1CPN70// -1	41- 27	AF		B
VRD-HT2EY112J	38- 31	AA		C
VRD-HT2EY152J	38- 32	AA		C
VRD-HT2EY161J	39- 5	AA		B
VRD-HT2EY302J	38- 33	AA		C
VRD-HT2EY472J	38- 34	AA		C
VRD-HT2HY152J	36- 99	AA		C
"	42- 18	AA		C
VRS-CY1JD000J	36-100	AA		C
"	37- 31	AA		C
"	38- 35	AA		C
VRS-CY1JD100J	36-101	AA		C
"	37- 32	AA		C
VRS-CY1JD101J	36-102	AA		C
VRS-CY1JD102F	36-103	AA		C
VRS-CY1JD102J	36-104	AA		C
"	37- 33	AA		C
"	38- 36	AA		C
"	41- 18	AA		C
"	42- 19	AA		C
VRS-CY1JD103F	36-105	AB		C
VRS-CY1JD103J	36-106	AA		C
"	37- 34	AA		C
"	38- 38	AA		C

PARTS CODE	NO.	PRICE RANK	NEW MARK	PART RANK
VRS-CY1JD103J	41- 20	AA		C
"	42- 20	AA		C
VRS-CY1JD105F	36-107	AA		C
"	38- 37	AA		C
VRS-CY1JD113F	36-108	AA		C
VRS-CY1JD121F	36-109	AA		C
VRS-CY1JD122F	36-110	AB		C
VRS-CY1JD132F	38- 39	AA		C
VRS-CY1JD151F	41- 23	AA		C
VRS-CY1JD152J	36-111	AA		C
"	42- 21	AA		C
VRS-CY1JD182F	36-112	AA		C
VRS-CY1JD203J	36-113	AA		C
"	38- 40	AA		C
VRS-CY1JD220J	36-114	AA		C
"	37- 35	AA		C
"	38- 59	AA		C
VRS-CY1JD241J	36-115	AA		C
"	38- 51	AA		C
VRS-CY1JD242J	36-116	AA		C
"	41- 17	AA		C
VRS-CY1JD243F	38- 41	AA		C
VRS-CY1JD272F	36-117	AA		C
VRS-CY1JD301F	41- 24	AA		C
VRS-CY1JD301J	36-118	AA		C
VRS-CY1JD330J	36-119	AA		C
"	37- 36	AA		C
VRS-CY1JD332F	36-120	AA		C
VRS-CY1JD332J	36-121	AA		C
"	37- 37	AA		C
"	38- 60	AA		C
VRS-CY1JD433F	38- 42	AA		C
VRS-CY1JD470J	36-122	AA		C
"	42- 22	AA		C
VRS-CY1JD471J	36-123	AA		C
"	38- 43	AA		C
VRS-CY1JD472F	38- 44	AA		C
VRS-CY1JD472J	36-124	AA		C
"	37- 38	AA		C
VRS-CY1JD473J	36-125	AA		C
"	41- 25	AA		C
VRS-CY1JD680F	41- 22	AA		C
VRS-CY1JD681F	36-126	AA		C
"	41- 21	AA		C
VRS-CY1JD752F	36-127	AA		C
VRS-CY1JD752J	36-128	AA		C
"	41- 19	AA		C
VRS-CY1JD820J	38- 45	AA		C
VRS-CZ1JD000J	43- 5	AA		C
"	44- 2	AA		C
VRS-CZ1JD102J	44- 4	AA		C
VRS-CZ1JD103J	43- 8	AA		C
"	44- 6	AA		C
VRS-CZ1JD152J	44- 5	AA		C
VRS-CZ1JD220J	43- 6	AA		C
VRS-CZ1JD330J	43- 7	AA		C
"	44- 3	AA		C
VRS-RE3DA102J	36-129	AB		C
VRS-RE3DA131J	36-130	AC		C
VRS-RE3DA1R0J	36-131	AB		C
VRS-RE3DAR22J	36-132	AB		C
VRS-RE3DAR68J	41- 28	AC		C
VS2SA1036KQRC	36-133	AB		B
VS2SA1162-Y-1	38- 47	AB		B
VS2SB1197KR-1	36-138	AC		B
VSDTA143XK/-1	36-134	AB		B
VSDTC114EK/-1	36-135	AB		B
"	38- 46	AB		B
VSDTC114EKA-1	42- 23	AC		B
VSDTC143ZKA-1	36-136	AC		B
VSiMZ4++++-1	36-137	AD		B
"	42- 24	AD		B
[X]				
XBBSD26P03000	25- 32	AA		C
XBBSD30P05000	12- 27	AA		C
"	4- 70	AA		C
"	6- 14	AA		C
XBBSD30P10000	18- 35	AA		C
XBBSF30P08000	11- 6	AA	N	C
"	21- 4	AA	N	C
"	27- 5	AA	N	C

PARTS CODE	NO.	PRICE RANK	NEW MARK	PART RANK
XBBSF30P08000	44- 21	AA	N	C
XBPBZ30P03000	19- 24	AB		C
XBPSC30P06ES0	12- 42	AA		C
XBPSD30P05K00	10- 14	AA		C
XBPSD30P06KS0	19- 17	AA		C
"	21- 2	AA		C
"	22- 20	AA		C
"	23- 15	AA		C
"	5- 12	AA		C
XBPSD30P08KS0	12- 41	AA	N	C
"	15- 29	AA	N	C
"	27- 19	AA	N	C
"	29- 14	AA	N	C
"	32- 20	AA	N	C
"	8- 27	AA	N	C
XBPSD30P08X00	11- 12	AA		C
XBPSD30P10KS0	21- 9	AB		C
XBPSD40P06K00	10- 9	AA		C
XBPSD40P08K00	23- 1	AA		C
XBPSD40P08KS0	13- 20	AA		C
"	30- 24	AA		C
XBPSD40P16KS0	10- 19	AA		C
XBPSN40P06K00	28- 1	AA		C
XBSSD30P06000	43- 25	AA		C
XEBSD20P06000	24- 34	AA		C
XEBSD26P05000	19- 48	AA		C
XEBSD30P06000	12- 54	AA		C
XEBSD30P08000	18- 29	AA		C
"	19- 12	AA		C
"	19- 4	AA		C
"	20- 1	AA		C
"	22- 6	AA		C
"	24- 17	AA		C
"	25- 4	AA		C
"	29- 11	AA		C
"	32- 9	AA		C
"	33- 3	AA		C
"	7- 20	AA		C
XEBSD30P10000	12- 57	AA		C
"	12- 6	AA		C
"	14- 1	AA		C
"	15- 16	AA		C
"	16- 27	AA		C
"	18- 41	AA		C
"	19- 37	AA		C
"	29- 9	AA		C
"	32- 11	AA		C
"	3- 4	AA		C
"	6- 46	AA		C
XEBSD40P10000	12- 53	AA		C
"	15- 31	AA		C
"	22- 3	AA		C
"	8- 5	AA		C
XEBSD40P30000	28- 10	AA		C
"	28- 12	AA		C
"	28- 33	AA		C
"	33- 14	AA		C
XEBSE30P08000	16- 21	AA		C
"	17- 3	AA		C
"	2- 33	AA		C
"	4- 24	AA		C
"	5- 43	AA		C
"	5- 6	AA		C
"	6- 45	AA		C
"	6- 9	AA		C
XEBSE30P10000	18- 2	AA		C
"	20- 33	AA		C
XEBSE40P10000	15- 8	AA		C
"	2- 7	AA		C
"	27- 18	AA		C
"	30- 22	AA		C
XEBSE40P12000	15- 1	AA		C
"	2- 34	AA		C
"	28- 34	AA		C
"	29- 2	AA		C
"	32- 24	AA		C
"	33- 15	AA		C
"	4- 20	AA		C
XEBSE40P14000	4- 55	AA		C
XEPSD23P12000	12- 64	AA		C
XEPSD30P06000	9- 12	AA		C

SHARP

COPYRIGHT © 2002 BY SHARP CORPORATION

All rights reserved.

Printed in Japan.

No part of this publication may be reproduced,
stored in a retrieval system, or transmitted.

In any form or by any means,
electronic, mechanical, photocopying, recording, or otherwise,
without prior written permission of the publisher.

SHARP CORPORATION
Digital Document Systems Group
Products Quality Assurance Department
Yamatokoriyama, Nara 639-1186, Japan
2002 August Printed in Japan ⓘ