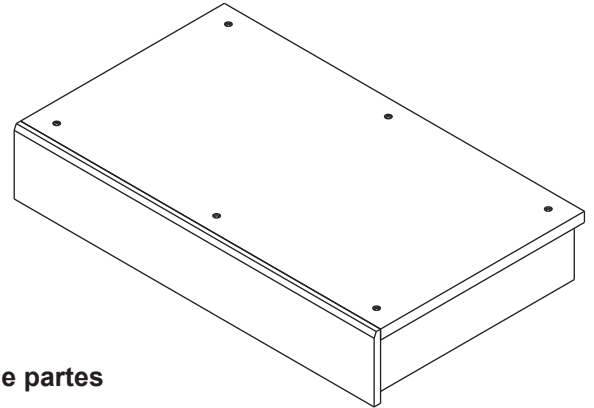




Addendum to  
**Somerset Corner Cabinet**  
**Berkshire Wall Mantel**  
**Berkshire Corner Cabinet**  
**Installation Instructions**

**Riser Kit**  
**Assembly Instructions, Directives**  
**d'assemblage, Instrucciones de ensamble**



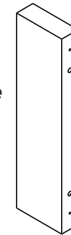
**Parts List**  
*Liste de pièces / Lista de partes*



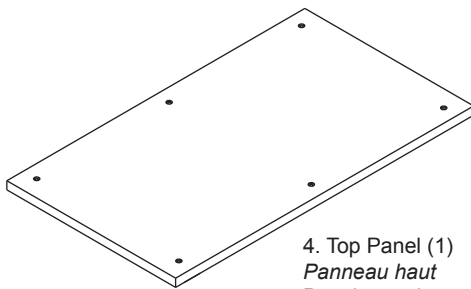
1. Right Side Panel (1)  
*Panneau latéral droit*  
 Panel lateral derecho



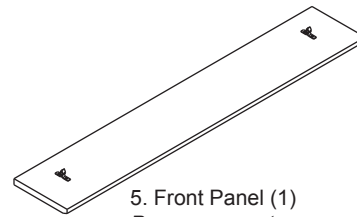
2. Left Side Panel (1)  
*Panneau latéral gauche*  
 Panel lateral izquierdo



3. Middle Partition (1)  
*Cloison centrale*  
 Particion media



4. Top Panel (1)  
*Panneau haut*  
 Panel superior



5. Front Panel (1)  
*Panneau avant*  
 Panel delantero

**Hardware List**  
**Emballage de quincaillerie, Paquete de accesorios**



A. Wood Dowels (6)  
*Goupilles*  
 Espigas

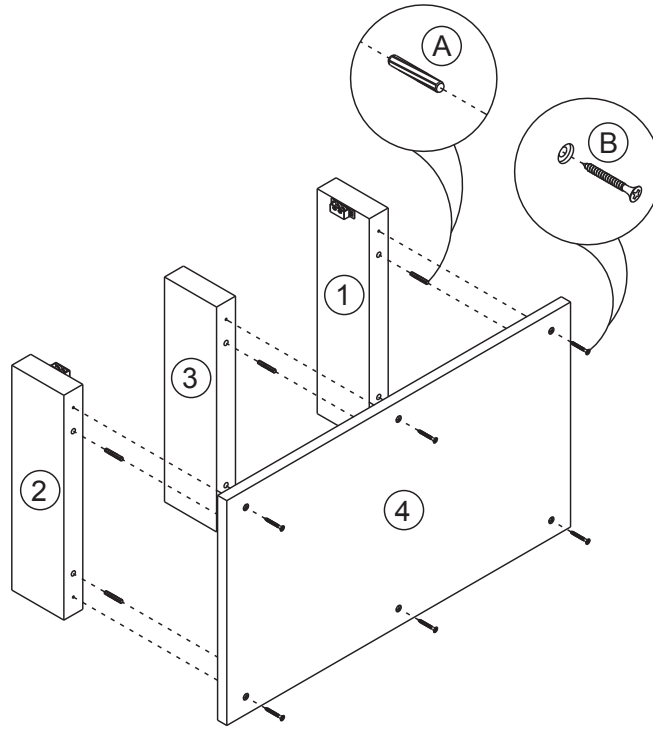


D. Flat Head Screw 1 $\frac{3}{4}$ " (6)  
*Vis (45 mm)*  
 Tornillo

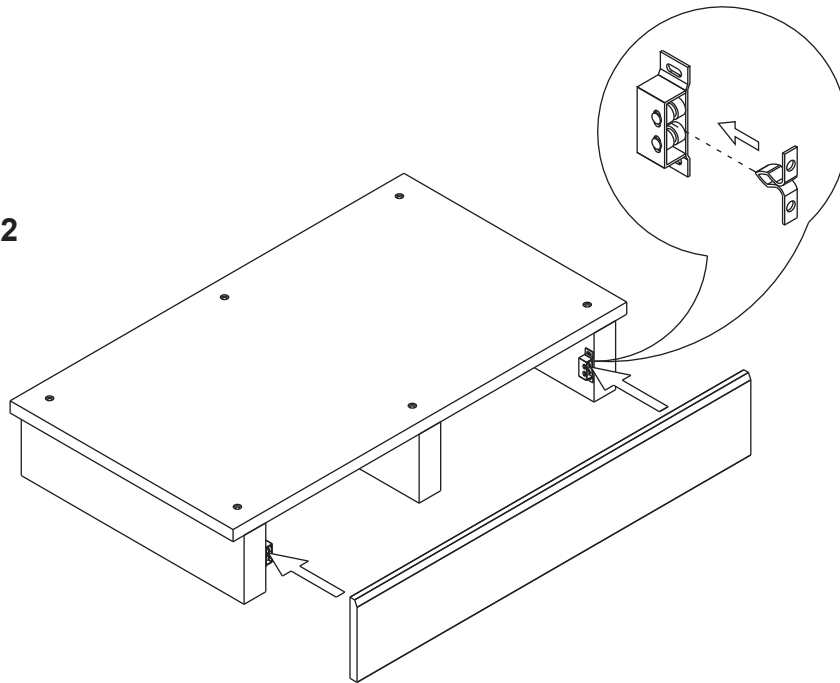
**Step 1**

A = 6 pcs

B = 6 pcs



**Step 2**



**CFM Corporation**

2695 Meadowvale Blvd. • Mississauga, Ontario, Canada L5N 8A3  
800-668-5323 • www.cfmcorp.com