

Service Manual

ORDER NO.
RRV3453

DVD RECORDER

DVR-640H-S DVR-540H-S

THIS MANUAL IS APPLICABLE TO THE FOLLOWING MODEL(S) AND TYPE(S).

Model	Type	Power Requirement	Region No.	Serial No. Please confirm 3rd & 4th alphabetical letters.
DVR-640H-S	WPWXV	AC 220 V to 240 V	4	&&DL#####\$\$
DVR-540H-S	WPWXV	AC 220 V to 240 V	4	&&DL#####\$\$

● This service manual should be used together with the following manual(s):

Model	Order No.	Remarks
DVR-640H-AV/WYXK5	RRV3368	

CONTENTS

1. CONTRAST OF MISCELLANEOUS PARTS	2
2. GENERAL INFORMATION	5
2.1 MODEL TYPE SETTING	5
3. SCHEMATIC DIAGRAM	6

1. CONTRAST OF MISCELLANEOUS PARTS

NOTES: ● Parts marked by "NSP" are generally unavailable because they are not in our Master Spare Parts List.

- The \triangle mark found on some component parts indicates the importance of the safety factor of the part. Therefore, when replacing, be sure to use parts of identical designation.
- Screws adjacent to \blacktriangledown mark on product are used for disassembly.
- Reference Nos. indicate the pages and Nos. in the service manual for the base model.
- For the applying amount of lubricants or glue, follow the instructions in this manual. (In the case of no amount instructions, apply as you think it appropriate.)

- When ordering resistors, first convert resistance values into code form as shown in the following examples.

Ex.1 When there are 2 effective digits (any digit apart from 0), such as 560 ohm and 47k ohm (tolerance is shown by J=5%, and K=10%).

560 Ω \rightarrow 56×10^1 \rightarrow 561 RD1/4PU $\begin{matrix} 5 & 6 & 1 \\ \hline & & \end{matrix}$ J
 47k Ω \rightarrow 47×10^3 \rightarrow 473 RD1/4PU $\begin{matrix} 4 & 7 & 3 \\ \hline & & \end{matrix}$ J
 0.5 Ω \rightarrow R50 RN2H $\begin{matrix} R & 5 & 0 \\ \hline & & \end{matrix}$ K
 1 Ω \rightarrow 1R0 RS1P $\begin{matrix} 1 & R & 0 \\ \hline & & \end{matrix}$ K

Ex.2 When there are 3 effective digits (such as in high precision metal film resistors).

5.62k Ω \rightarrow 562×10^1 \rightarrow 5621 RN1/4PC $\begin{matrix} 5 & 6 & 2 & 1 \\ \hline & & & \end{matrix}$ F

■ CONTRAST TABLE

DVR-640H-S/WPWXV, DVR-540H-S/WPWXV and DVR-640H-AV/WYXV5 are constructed the same except for the following :

Ref. No.	Mark	Symbol and Description	Part No.			Remarks	
			DVR-640H-AV /WYXV5	DVR-640H-S /WPWXV	DVR-540H-S /WPWXV		
PCB ASSEMBLIES							
P11- 1	NSP	1..SCRB ASSY	VWV2206	Not used	Not used	* Refer to DVR-540H-S/WYXV5	
		1..TUJB ASSY	VWM2371	VWM2386	VWM2387		
P11- 2	NSP	2..TUJB AI	VWV2169	VWV2170	VWV2170		
		3..TUJB ASSY (for Service)	VXX3109	VXX3165	VXX3164		
P11- 4		1..MAIN ASSY (for Service)	VXX3157	VXX3157	VXX3159*		
P11- 5		1..DVJB ASSY	VWV2160	VWV2160	Not used		
P11- 6		1..USBB ASSY	VWV2161	VWV2161	Not used		
PACKING SECTION							
P9- 1	\triangle	Power Cord	ADG1127	ADG7102	ADG7102		
P9- 4		G-Link Cable	VDX1010	Not used	Not used		
P9- 6	NSP	Warranty Card	ARY7045	Not used	Not used		
		Operating Instructions (English)	Not used	VRB1418	VRB1418		
		PLTV Caution	VRR1068	Not used	Not used		
P9-12		Packing Case	VHG2757	VHG2747	VHG2746		
P9-15		Remote Control Unit	Not used	VXX2963	VXX2963		
P9-16		Battery Cover	Not used	AZA7424	AZA7424		
P9-18	NSP	Dry Cell Battery (R6P, AA)	Not used	VEM1010	VEM1010		
EXTERIOR SECTION							
P11- 9		HDD 160G ST3160022RS	VXF1086	Not used	VXF1086		
P11- 9		HDD 250G ST3250823 S	Not used	VXF1082	Not used		
P11-14		Flexible Cable 24P	VDA2111	VDA2111	Not used		
P11-17		Flexible Cable 29P (SCRB)	VDA2117	Not used	Not used		
P11-19		Housing USB (MAIN)	VKP2380	VKP2380	Not used		
P11-24		Rear Panel	VNA2931	VNA2924	VNA2923		
P11-27		DV Angle	VNE2426	VNE2426	Not used		
P11-32		Rubber Spacer	VEB1378	Not used	Not used		
P11-57		Screw M3 x 8	VBA1088	VBA1088	Not used		
FRONT PANELSECTION							
P13-10		MAIN Key	VNK5925	VNK5925	VNK5908		
P13-12		Front Panel	VNK5957	VNK5957	VNK5923		
P13-13		Center Key	VNK6026	VNK6026	VNK6025		
P13-14		FL Lens PTD	VXA2741	VXA2741	VXA2740		
P13-15		Door PTD	VXA2775	VXA2781	VXA2779		

Notes : For PCB ASSEMBLIES, Refer to "CONTRAST OF PCB ASSEMBLIES", "PCB PARTS LIST" and "3. SCHEMATIC DIAGRAM".

■ CONTRAST OF PCB ASSEMBLIES

AF TUJB ASSY

VXX3165 and VXX3164 are constructed the same except for the following :

Mark	Symbol and Description	Part No.		Remarks
		VXX3165	VXX3164	
R153 R154		Not used RD1/4PU153J	RD1/4PU393J RD1/4PU682J	

■ PCB PARTS LIST

Mark	No.	Description	Part No.	Mark	No.	Description	Part No.
------	-----	-------------	----------	------	-----	-------------	----------

AF TUJB ASSY (DVR-640H-S)

SEMICONDUCTORS

IC0701	BA4560RF
IC4001	BD4846G
△ IC1001, IC5001	CEK1278
IC0100	HA118326APFR
IC2003	MM1501XN
IC2002	MM1503XN
IC0901	MSP3417G
IC0101	PMC006A8
△ Q0301, Q0302, Q0811	2SA1036K
Q0401, Q0410, Q0903, Q0904	2SA1576A
Q5008, Q5009	2SA1576A
Q0303, Q0812, Q6009	2SC2411K
Q0310, Q0409, Q0906, Q5011	2SC4081
Q5010	2SC5876
Q3001-Q3004, Q5006	2SD2114K
Q3210	DTA124EUA
Q0307, Q0313, Q0810, Q3211, Q4001	DTC124EUA
Q5007	HN1A01FU
Q6008	RN4903
Q6001	UMF21N
Q0306	UMF23N
D0106	1SR154-400
D0107, D0811, D3201, D3202	1SS355
D4001-D4003, D4005, D5004, D5006	1SS355
D0001	UDZS11(B)
D0301	UDZS15(B)
D0002	UDZS6R8(B)
D0810	UDZS9R1(B)
D2008, D2009, D2011, D2012	UMZ6R8N
D2017, D2018, D2022, D2023	UMZ6R8N
L5005 RADIAL INDUCTOR	ATH1109
L0305, L0306 INDUCTOR	CTF1306
L2005 INDUCTOR	CTF1388
L0301, L0302, L0901, L0904, L5004	CTF1399
L0902	LCYA100J2520
L0903	LCYA101J2520
L0501	LCYA120J2520
L0401, L0403	LCYA150J2520
L0402, L0404	LCYA180J2520
L5003	LRC331J

COILS AND FILTERS

CAPACITORS

C0113, C0114	CCSRCH100D50
C0909	CCSRCH101J50
C0117, C0129	CCSRCH120J50
C0306, C0307, C0405, C0411	CCSRCH330J50
C4009	CCSRCH331J50
C2016, C2017, C2022, C2024	CCSRCH471J50
C2028-C2031, C5013	CCSRCH471J50
C0906, C0908	CCSRCH560J50
C0925, C0928	CCSRCH561J50
C0408, C0413	CCSRCH680J50
C0404, C0410	CCSRCH7R0D50
C0406, C0412	CCSRCH820J50
C0403, C0409, C0907, C0915	CCSRCJ3R0C50
C0937	CEAL100M50
C0938	CEAL3R3M50
C0014, C0341, C0711, C0712, C0939	CEAT100M50
C0023, C0025, C0039, C0044	CEAT101M10
C0812, C0813, C6649	CEAT101M10
C0319, C0323, C0351, C3111	CEAT101M16
C0313, C2035-C2037, C2040, C2041	CEAT102M6R3
C5506	CEAT102M6R3
C0004, C2032	CEAT1R0M50
C0111, C0310	CEAT220M25
C0128, C3128	CEAT221M6R3
C0119	CEAT2R2M50
C2038, C2039, C5015	CEAT470M16
C2033, C2034	CEAT471M6R3
C0076	CEAT4R7M50
C5004	CKSQYF105Z50
C0901, C0923, C0926, C2005	CKSRYB103K50
C2011, C2012, C2020, C2027	CKSRYB103K50
C0008, C0012, C0017, C0020	CKSRYB104K16
C0030, C0031, C0035, C0049, C0054	CKSRYB104K16
C0905, C0919, C6428	CKSRYB104K16
C0002, C0007, C0010, C0011, C0016	CKSRYB105K10
C0019, C0026, C0036, C0045-C0048	CKSRYB105K10
C0050, C0051, C0072, C0073	CKSRYB105K10
C0077-C0080, C2109, C4003	CKSRYB105K10
C0301, C5507	CKSRYB222K50
C0924, C0927	CKSRYB392K50
C0003, C0006, C0021, C0022, C0024	CKSRYF104Z25
C0038, C0068-C0071, C0081, C0082	CKSRYF104Z25
C0091, C0092, C0094, C0096, C0115	CKSRYF104Z25
C0135, C0136, C0350, C0407, C0443	CKSRYF104Z25
C0730, C0810, C0811, C0917, C0918	CKSRYF104Z25

Mark No.	Description	Part No.
A	C4001, C4002, C4004, C4005, C4016 C5005, C5010, C5014 C0005, C0043, C0144, C0929 C0701, C0702	CKSRYP104Z25 CKSRYP104Z25 CKSRYP105Z10 CKSYB106K10

RESISTORS

	R0156	RD1/4PU273J
	R0155	RD1/4PU333J
	R0154	RD1/4PU153J
	R0701, R0703	RN1/16SE1002D
	R0707, R0708	RN1/16SE8201D
	R0313, R0909	RS1/10S0R0J
	R0302, R0304	RS1/10S100J
	R0303, R5012	RS1/10S120J
B	R2063	RS1/10S3R9J
	R0311	RS1/10S471J
	R2064	RS1/10S68R0F
	R2003, R2006, R2011, R2015, R2020	RS1/10S75R0F
	R2022, R2023, R2025, R2027, R2029	RS1/10S75R0F
	R2035, R2041, R2043, R2045, R2050	RS1/10S75R0F
	R2056, R2059	RS1/10S75R0F
	R5007	RS1/16S1203F
	R0195	RS1/16S1800F
	R0402	RS1/16S2700F
	R5006	RS1/16S2702F
	R2070	RS1/16S3304F
C	Other Resistors	RS1/16S###J

OTHERS

	U301 TV TUNER PACK	VXF1106
	X0101	CSS1653
	X0102 (32 kHz)	VSS1197
	X0901 (18.432 MHz)	VSS1189
	CN0101 23P FFC CONNECTOR	9604S-23C
	CN0102 9P FFC CONNECTOR	VKN2015
	CN4002	VKN1439
	KN0405	VNF1084
D	CN5001 KR CONNECTOR	B2B-PH-K-S
	CN0303 KR CONNECTOR	B5B-PH-K-S
	JA4002 REMOCON JACK	RKN1004
	BT0101 LITHIUM BATTERY	VEM1037
	JA2004 1P PIN JACK	VKB1159
	JA2010 3P PIN JACK	VKB1165
	JA2001 JACK	VKB1183
	JA2003 JACK	VKB1184

2. GENERAL INFORMATION

2.1 MODEL TYPE SETTING

[Purposes]

When the MAIN Assy and/or TUJB Assy that are(is) commonly used with another model are(is) replaced, they(it) must recognize the model of this unit.

Items to be set: The model number, destination, and region No. must be set.

[Tool to be used]



Remote control unit for servicing
(GGF1381)

[Notes]

- Once the setting has been made, it can never be changed. Be sure to make the setting correctly.
- As this setting resets the Assy(s) in question to the factory-preset status, it is recommended that you obtain the customer's consent beforehand.

[Procedures]

- ① After power on, the following screen is displayed on TV monitor. Press four digits properly (for example "0307") by using the remote control unit for service, according to the screen information.

[DVR-640H-S model]

[Recorder's Model Setting]

Input the number using the remote for Service.

> ---

Input No. Model
[0307 : DVR-640H/WPW]

[DVR-540H-S model]

[Recorder's Model Setting]

Input the number using the remote for Service.

> ---

Input No. Model
[0207 : DVR-540H/WPW]

- ② Disconnect then reconnect the AC power cord of the unit. Be careful not to impart vibration to the unit immediately after the AC power cord is disconnected.
- ③ Reset the recorder to all its factory settings.
(Make sure that the recorder is on. Press and hold ■ (STOP) key and press ⏻ (STANDBY/ON) key on the front panel.)
The recorder turns off with all settings reset.
- ④ Press [ESC] then [DISP] keys by using the remote control unit for servicing, and then confirm each Model Name (for example "DVR-640H/WPW").
- ⑤ End

```
DVR-640H/WPW    VERSION : 1.**
SYSCON    : RELEASE_100
          Rev    :1.1000
TUNERCON   : 198.000            OK
DRIVE    : DVD-RW DVR-L11X        OK
          1.00                    OK
HDD    : WDC WD800BB-xxJKCx    80

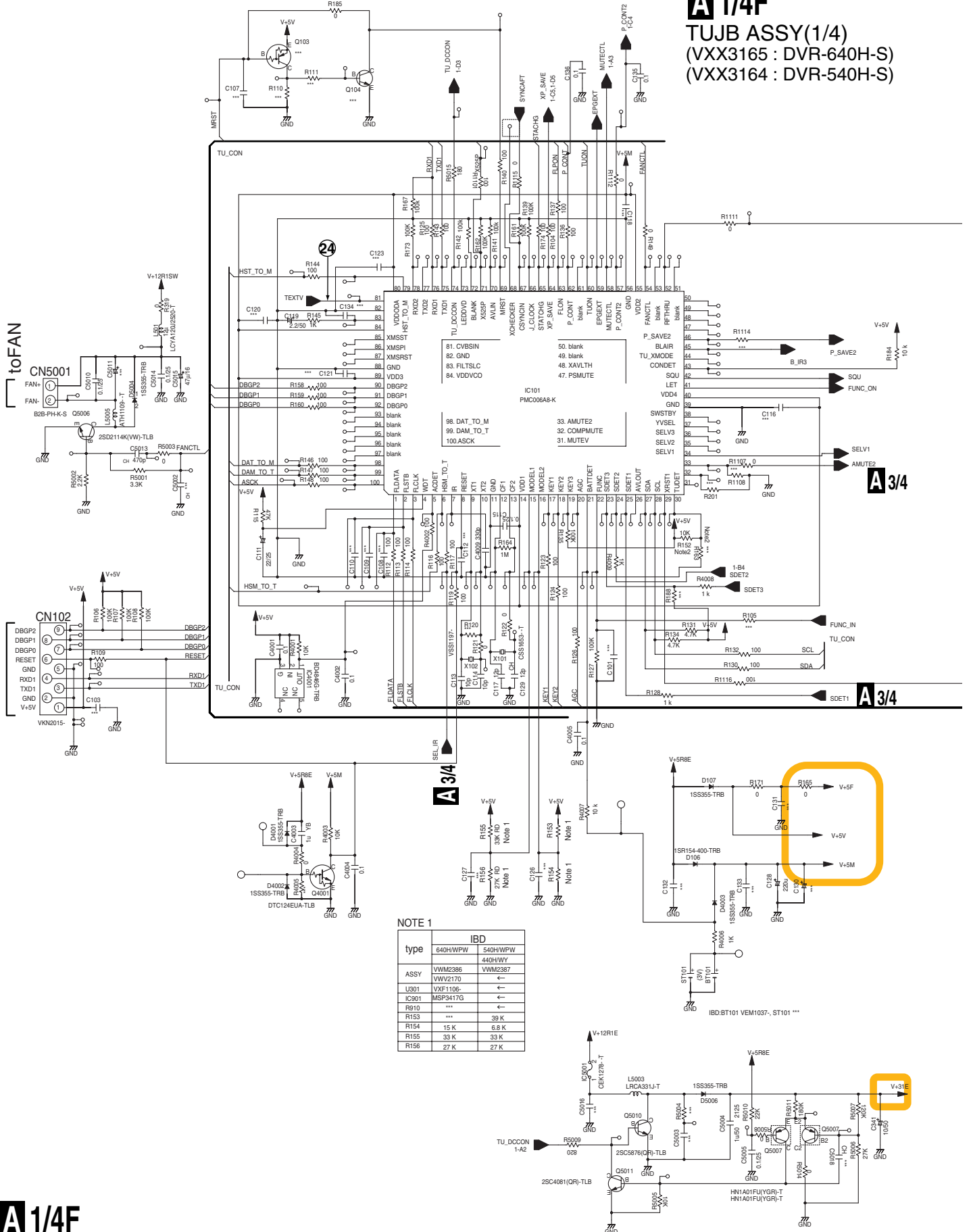
DEVICE    : E2R-FE 1.2    FLASH : 64M
REGION    : 4                C : *****
```

3. SCHEMATIC DIAGRAM

3.1 TUJB ASSY (1/4)

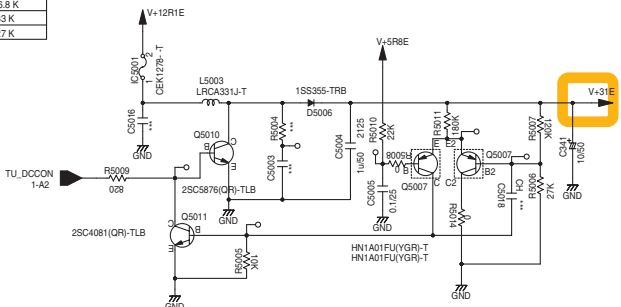
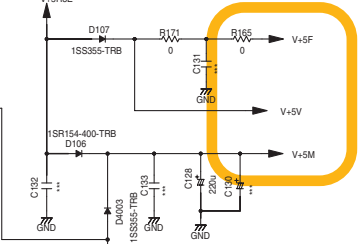
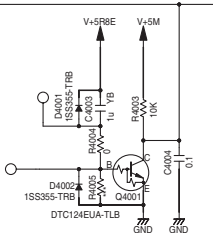
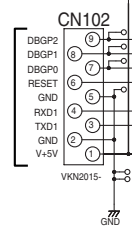
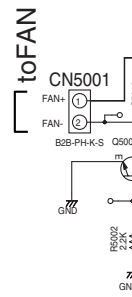
A 1/4F
TUJB ASSY(1/4)
 (VXX3165 : DVR-640H-S)
 (VXX3164 : DVR-540H-S)

A
B
C
D
E
F

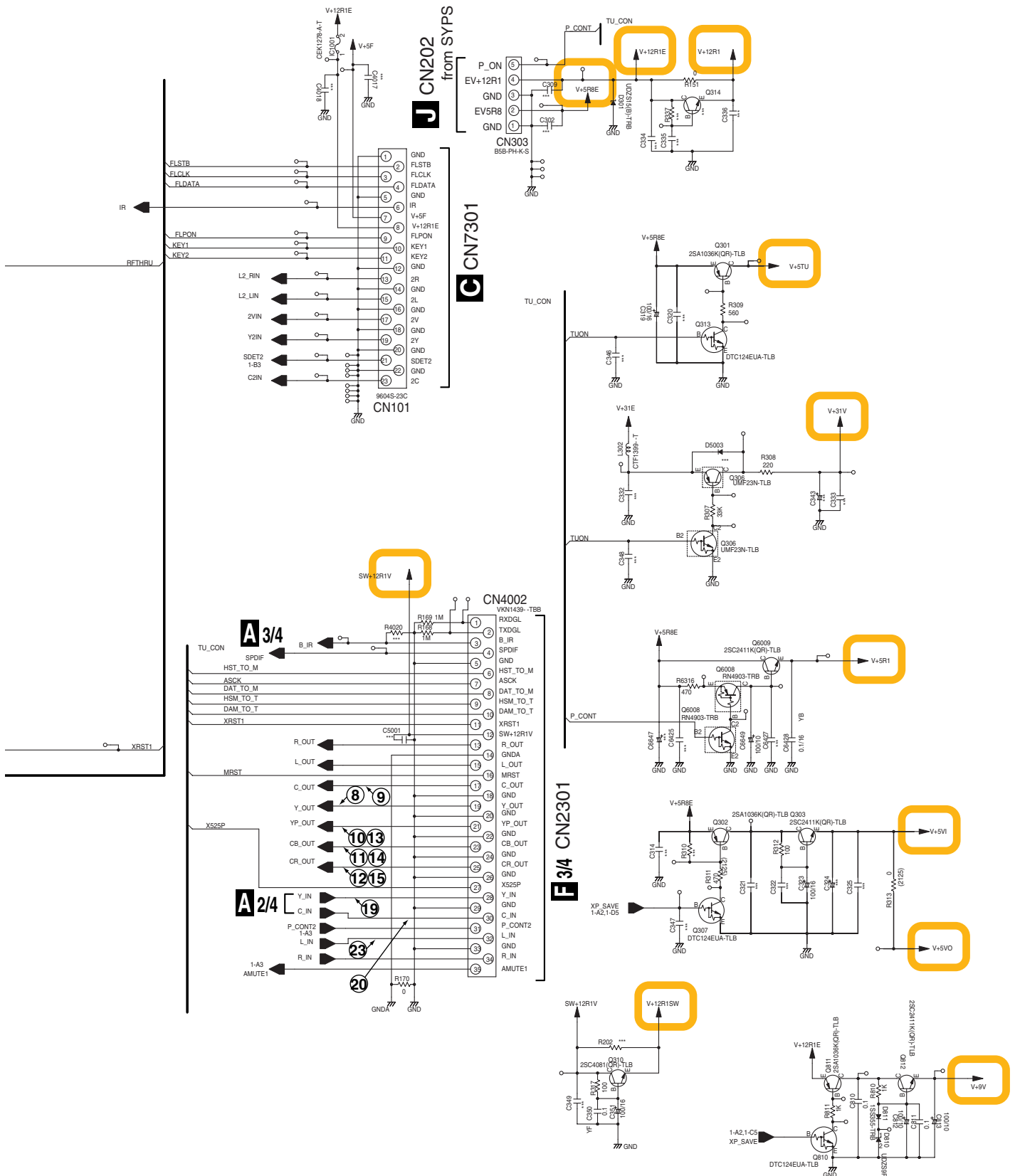




NOTE 1

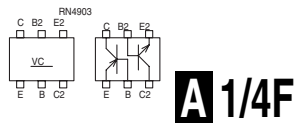
type	IBD
640H/WPW	540H/WPW
440H/WVY	440H/WVY
ASSY	VWM2386
	VWM2387
U301	VXF1106-
IC901	MSP3417G
R910	..
R153	..
R154	15 K
R155	33 K
R156	27 K



A 1/4F



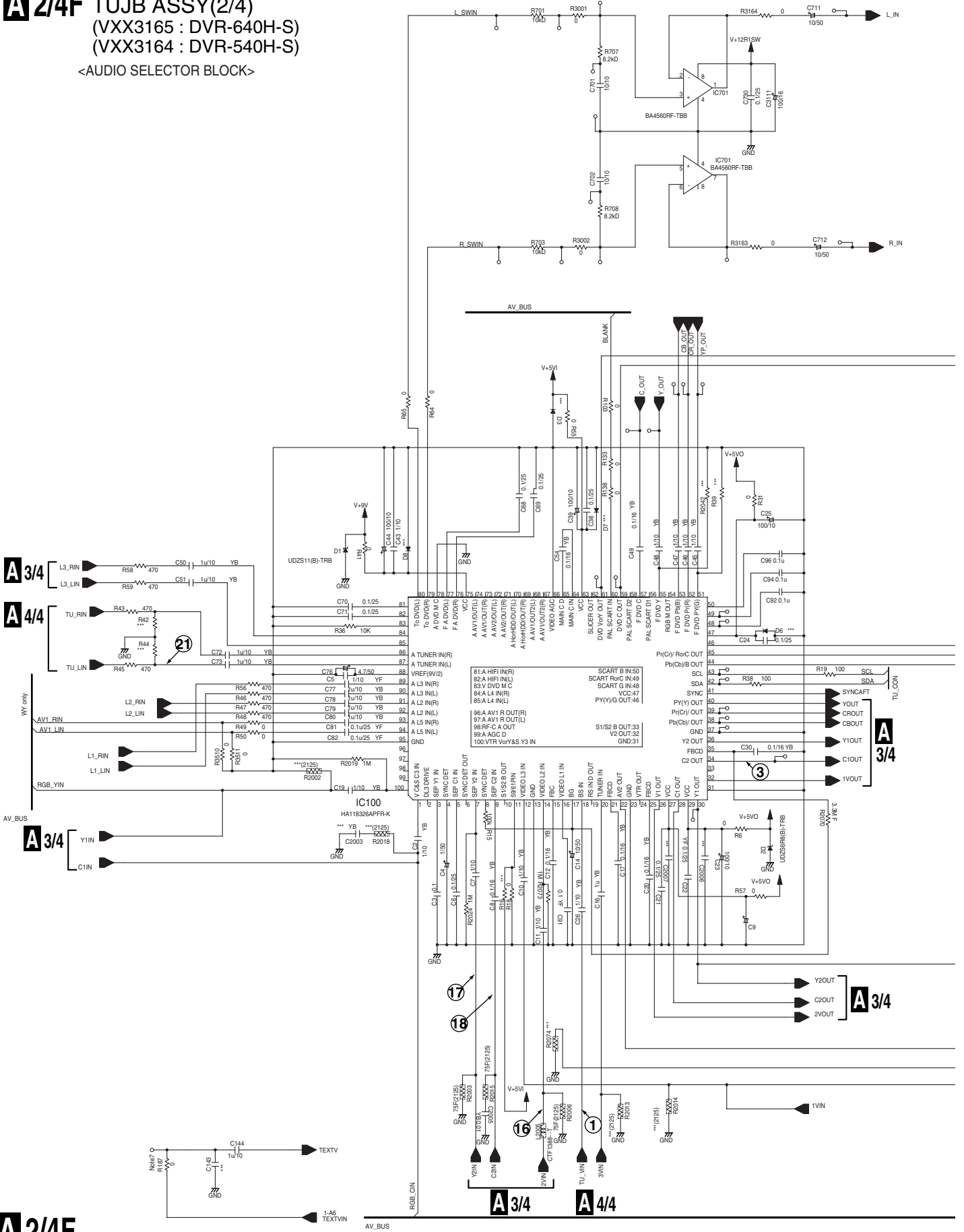
- When ordering service parts, be sure to refer to "EXPLODED VIEWS and PARTS LIST" or "PCB PARTS LIST".
- The  mark found on some component parts indicates the importance of the safety factor of the part. Therefore, when replacing, be sure to use parts of identical designation.
-  : The power supply is shown with the marked box.



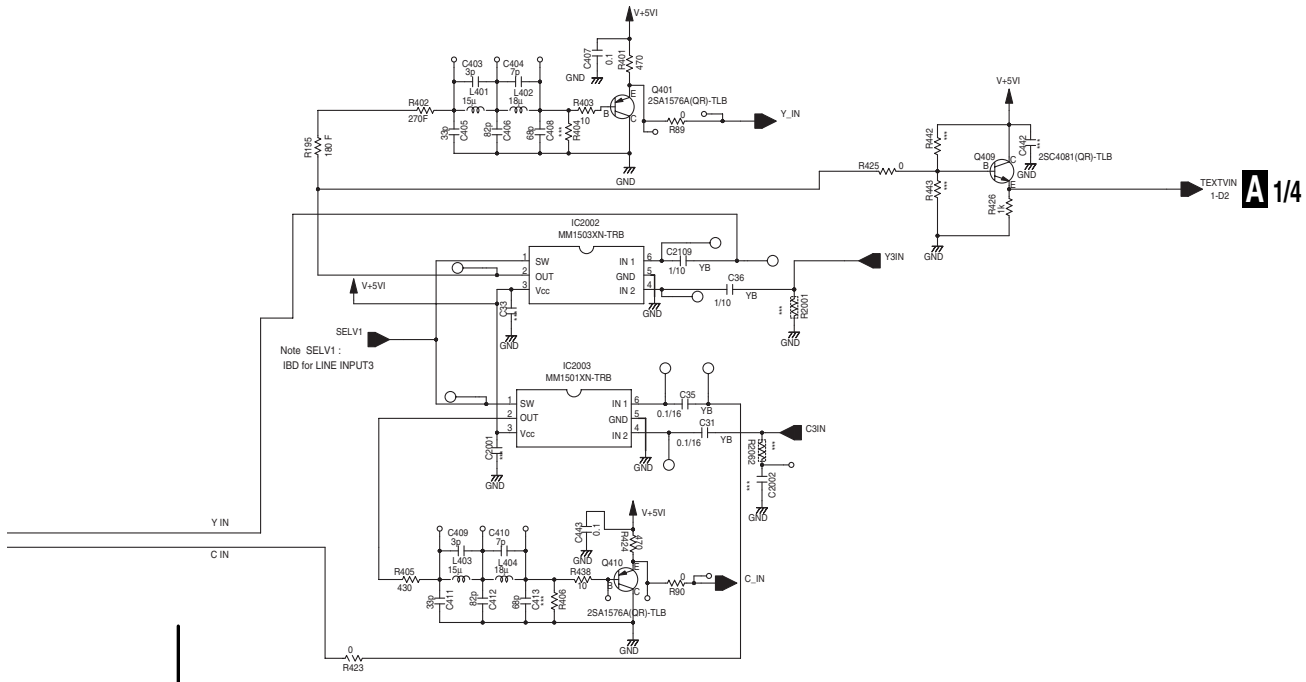
A 1/4F

3.2 TUJB ASSY (2/4)

A 2/4F TUJB ASSY(2/4)
 (VXX3165 : DVR-640H-S)
 (VXX3164 : DVR-540H-S)
 <AUDIO SELECTOR BLOCK>



A 2/4F

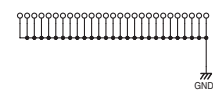


A 1/4

BOUT
 R/COUT
 BOUT

AV1_VYOUT

AV2_VYOUT
 AV1_VYIN
 AV2_VYIN



A 2/4F

3.3 TUJB ASSY (3/4)

A

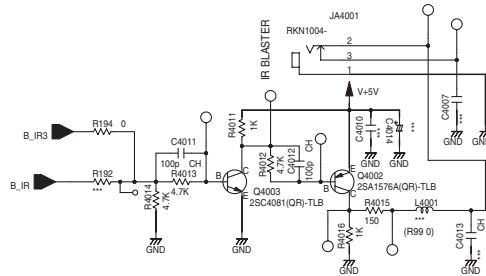
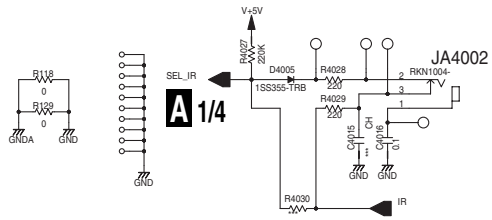
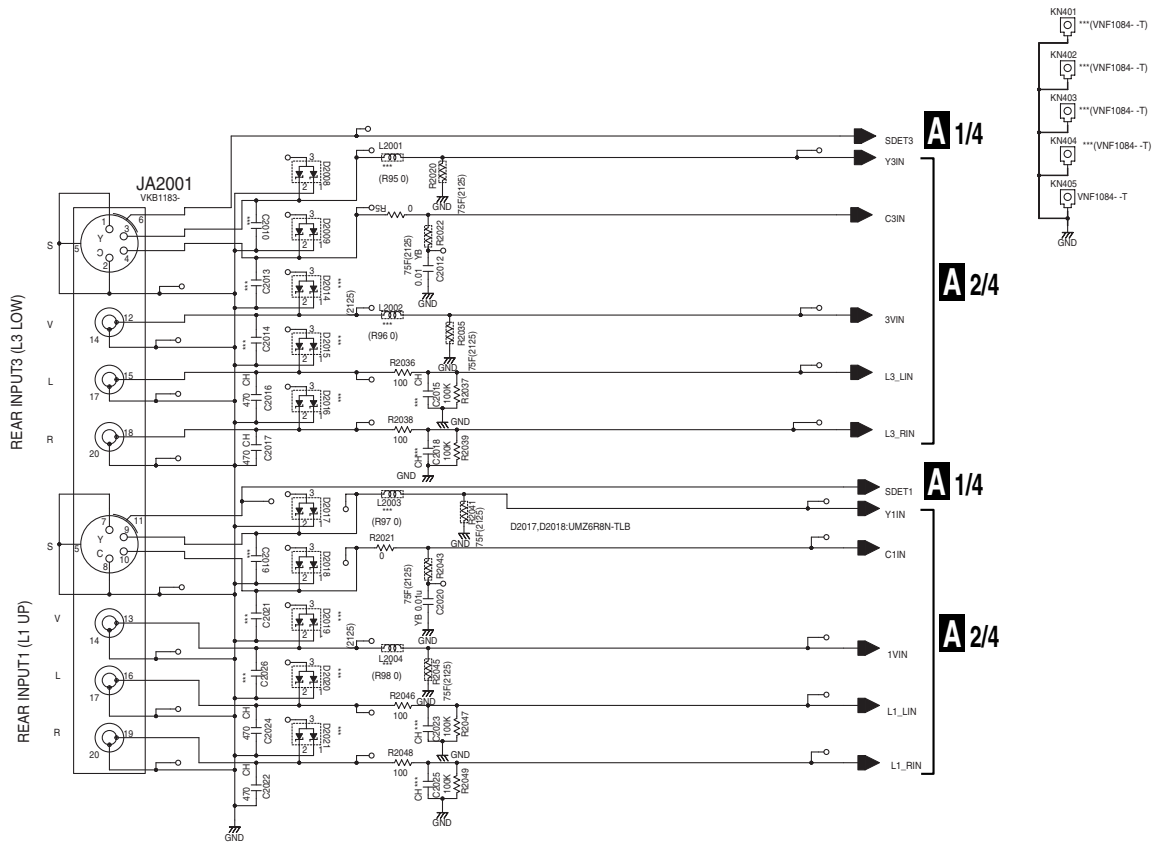
B

C

D

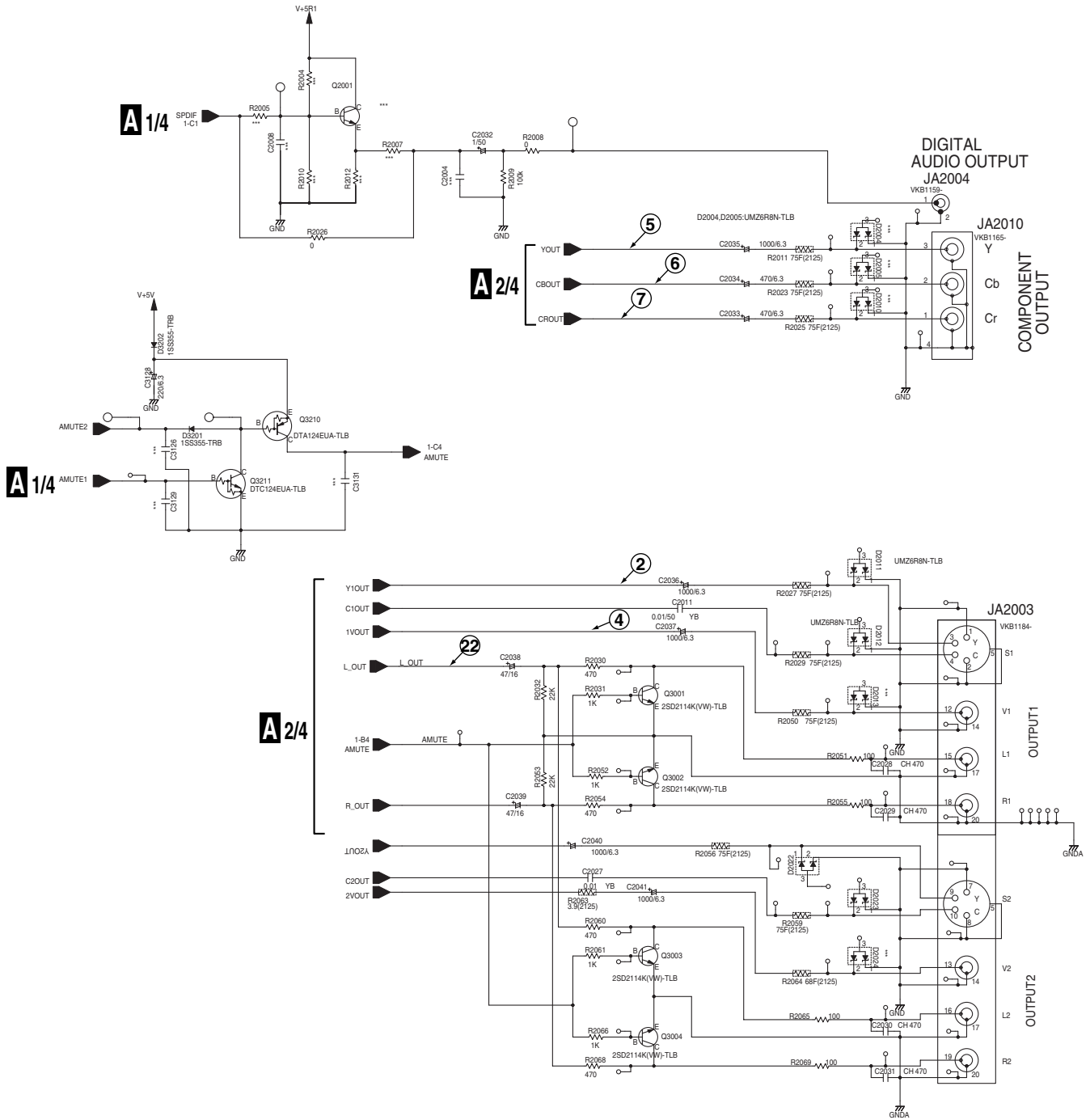
E

F



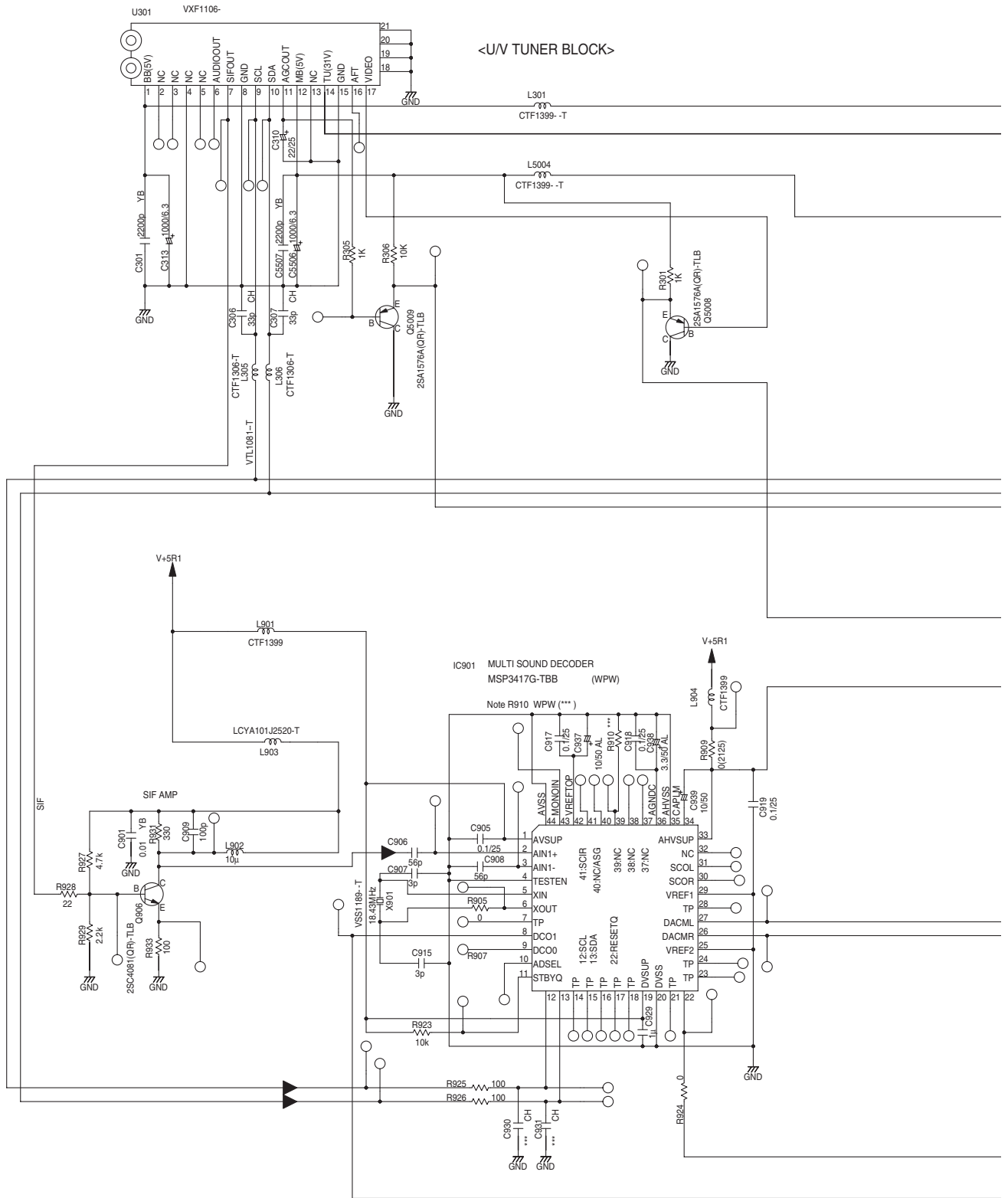
A 3/4F

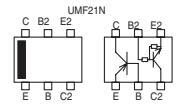
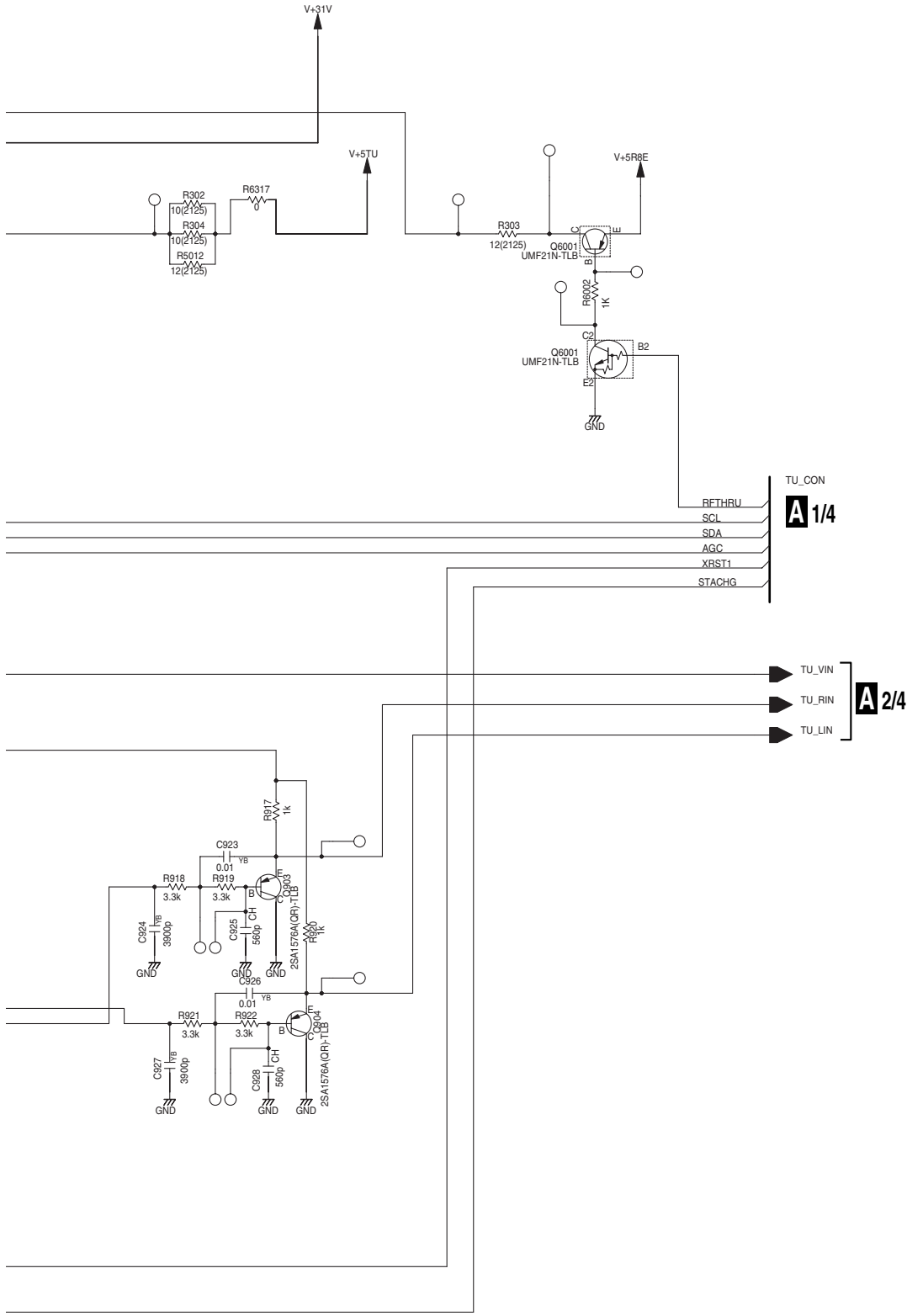
A 3/4F TUJB ASSY(3/4)
 (VXX3165 : DVR-640H-S)
 (VXX3164 : DVR-540H-S)



3.4 TUJB ASSY (4/4)

A 4/4F TUJB ASSY(4/4) (VXX3165 : DVR-640H-S) (VXX3164 : DVR-540H-S)





A 4/4F