



**INSTALLATION  
INSTRUCTIONS**

Accessory  
**AUTOMATIC DAY/NIGHT  
MIRROR**

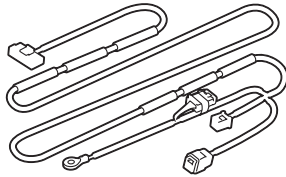
Application  
**2016 HR-V**

Publications No.  
**VERSION 1**  
Issue Date  
**APR 2015**

**PARTS LIST**

**Attachment Kit  
P/N 08V03-T7S-100**

Automatic day/night mirror harness



Harness cover



8 Wire ties



Clip  
(May not used)



Urethane tape



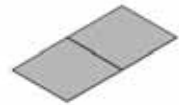
Fuse label



Ground bolt



Aluminum tape

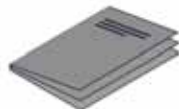


**Automatic Day/Night Mirror Kit  
P/N 08V03-TR0-100A**

Automatic day/night mirror



Accessory User's Information Manual



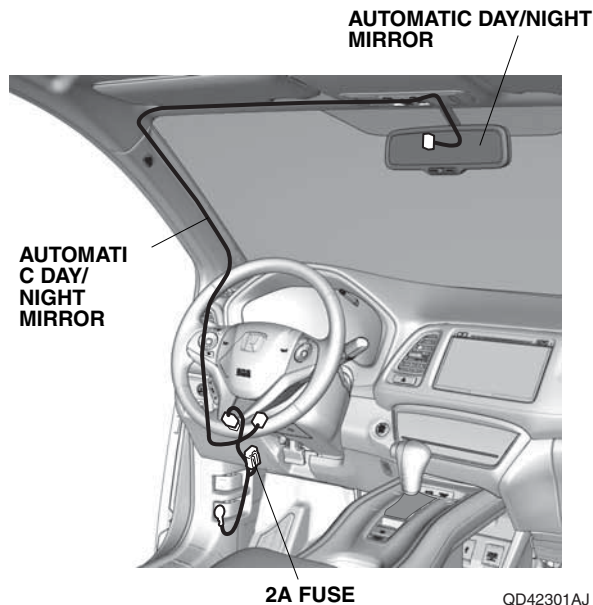
## TOOLS AND SUPPLIES REQUIRED

Phillips screwdriver  
Flat-tip screwdriver  
Ratchet  
10 mm Socket  
Isopropyl alcohol  
Shop towel  
Diagonal cutters  
Torque wrench  
T20 TORX bit  
Flashlight  
Tape  
10 mm Open end wrench  
Scissors  
White marker  
Ruler

The following tools are available through the Honda Tool and Equipment Program. On the iN, click on: Service > Service Bay > Tool and Equipment Program, then enter the number under "Search". Or, call 888-424-6857.

- Trim Tool Set (T/N SOJATP2014)
- Plastic Trim Tool (T/N SILTRIMTL10)

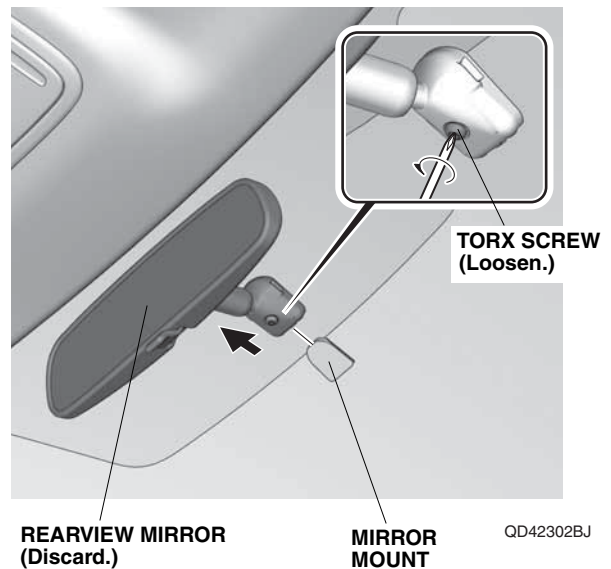
### Illustration of the Automatic Day/Night Mirror in the Vehicle



## INSTALLATION

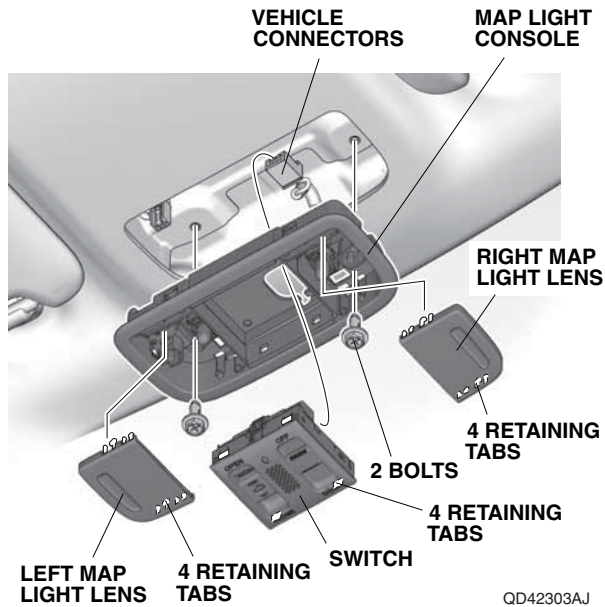
**Customer Information:** The information in this installation instruction is intended for use only by skilled technicians who have the proper tools, equipment, and training to correctly and safely add equipment to your vehicle. These procedures should not be attempted by "do-it-yourselfers."

1. Disconnect the negative cable from the battery.
2. Loosen the TORX screw, and remove the rearview mirror from the mirror mount.

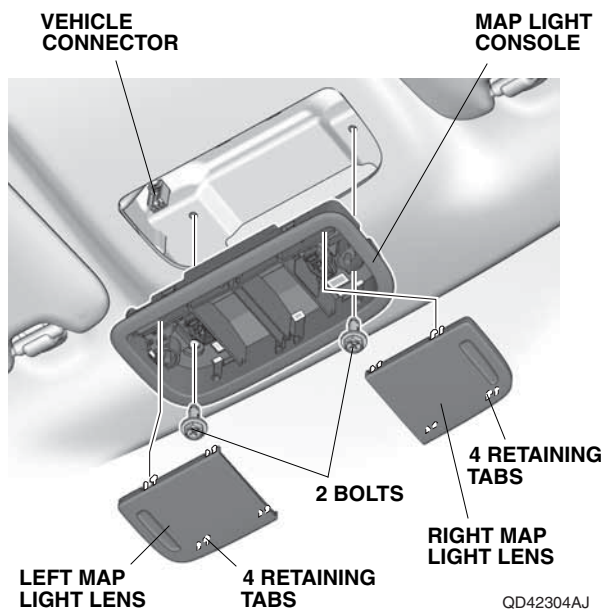


- Remove the left and right lenses from the map light console (four retaining tabs for each lens). Remove the two bolts.

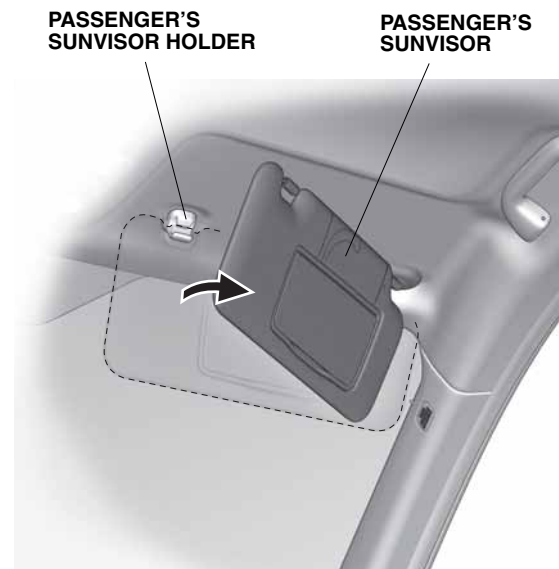
With Moonroof: Remove the map light console. Then unplug the vehicle connectors, and remove the switch (four retaining tabs).



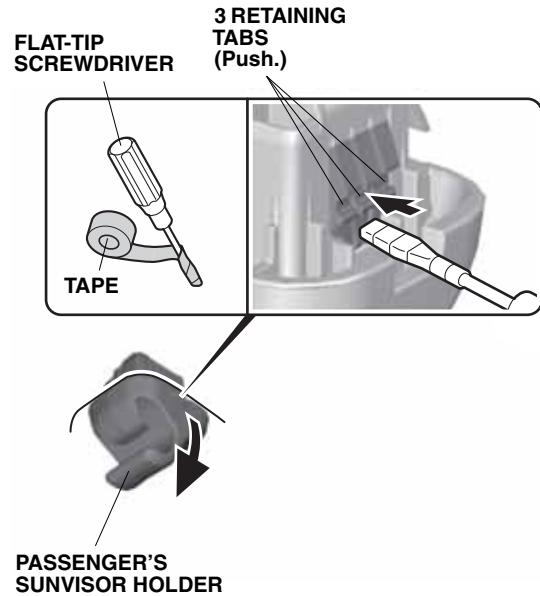
Without Moonroof: Remove the map light console (unplug the vehicle connector).



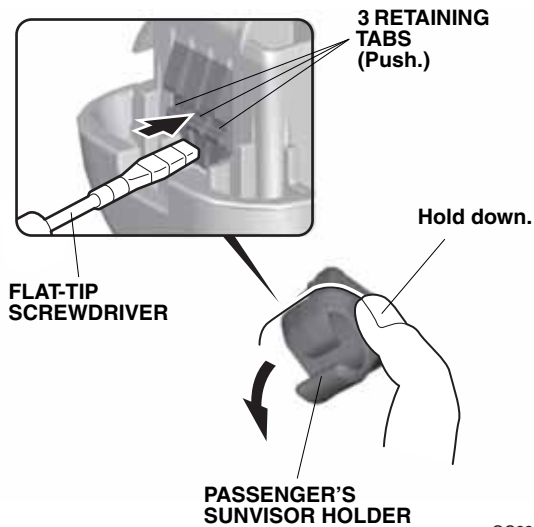
- Release the passenger's sunvisor from the passenger's sunvisor holder.



- Remove the passenger's sunvisor holder:
  - Wrap tape around the tip of flat-tip screwdriver.
  - Release three retaining tabs on the passenger's sunvisor holder.

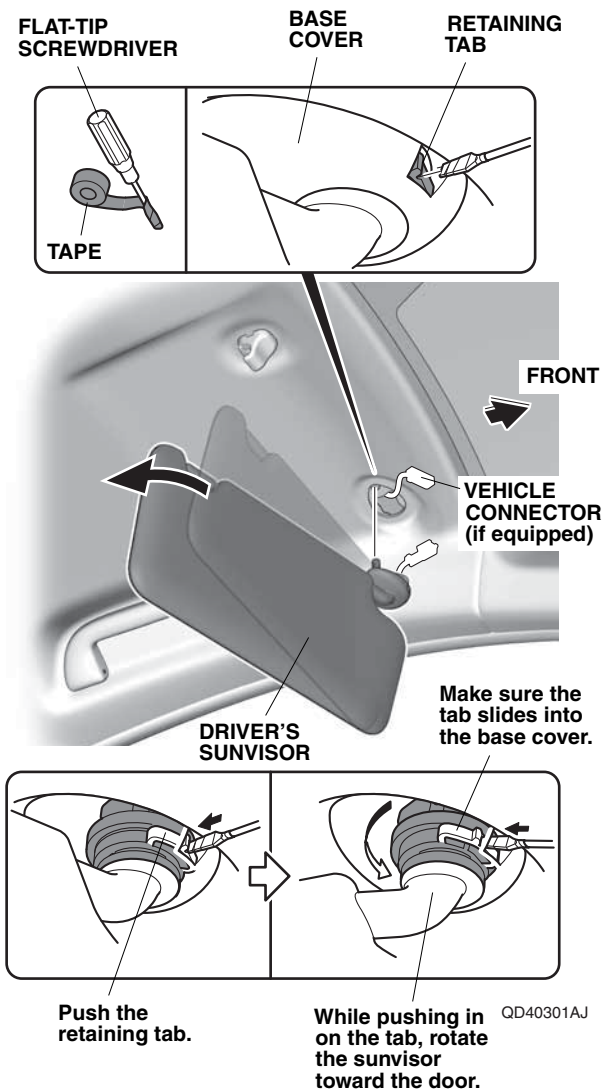


- While holding down the passenger's sunvisor holder as shown, use a flat-tip screwdriver wrapped with a tape to remove the passenger's sunvisor holder (three retaining tabs).



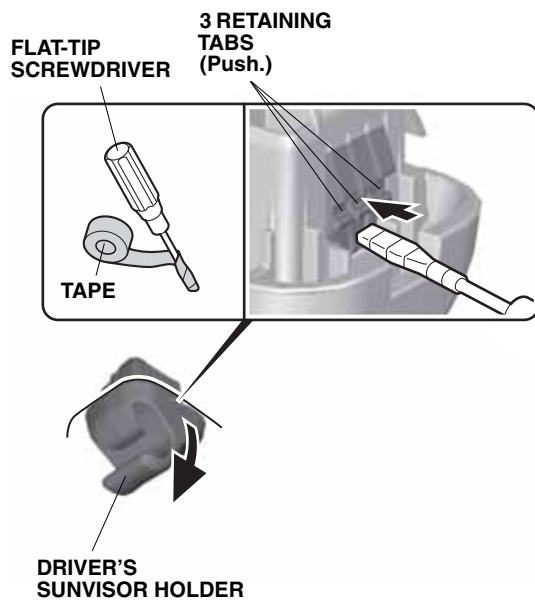
QC22004AJ

6. Remove the driver's sunvisor (unplug the vehicle connector):
  - Pivot the driver's sunvisor downward.
  - Wrap tape around the tip of flat-tip screwdriver.
  - Locate the slot in the base cover, and insert the flat-tip screwdriver into the slot. Push in and hold the retaining tab.
  - While holding the retaining tab, push up on the sunvisor and rotate it toward the door.  
NOTE: If the retaining tab does not stay pushed in, return the sunvisor to its original position and repeat this step.



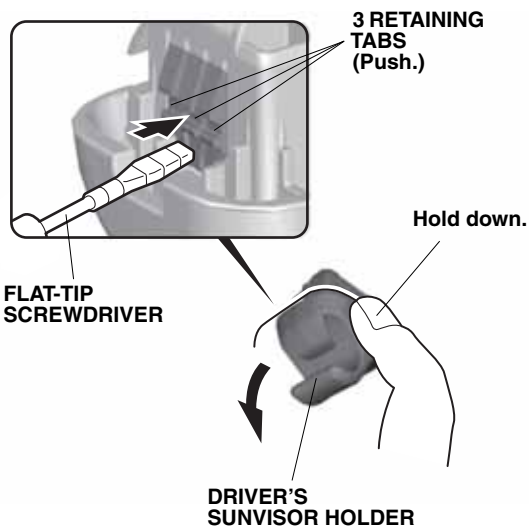
QD40301AJ

7. Remove the driver's sunvisor holder:
- Wrap tape around the tip of flat-tip screwdriver.
  - Release three retaining tabs on the driver's sunvisor holder.



QC22003BJ

- While holding down the driver's sunvisor holder as shown, use a flat-tip screwdriver wrapped with a tape to remove the driver's sunvisor holder (three retaining tabs).

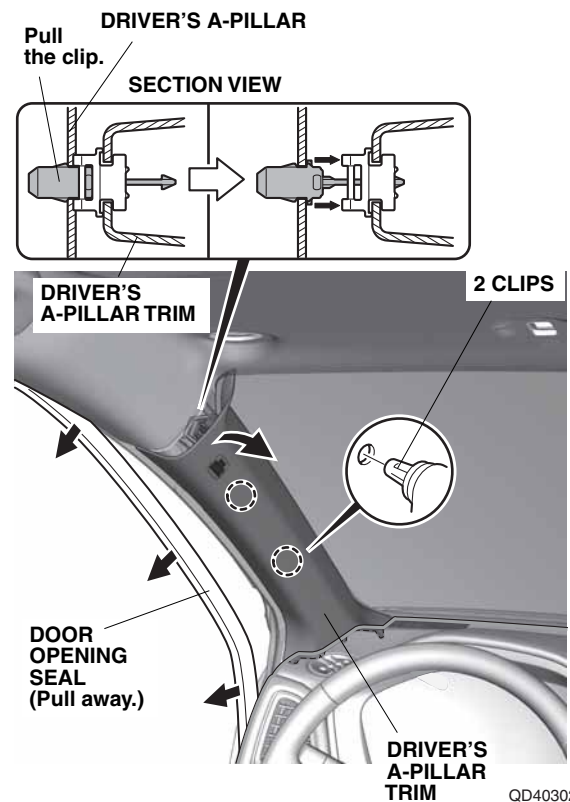


QC22004AJ

If the vehicle is equipped with the side curtain airbags, continue with step 8. If not, go to step 11.

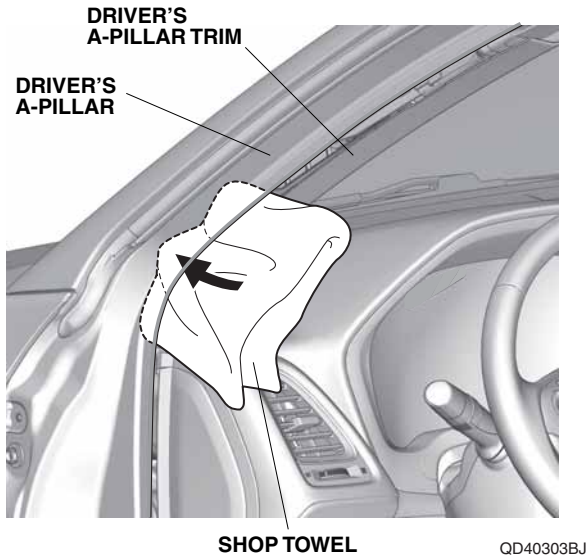
With side curtain airbags

8. Remove the driver's A-pillar trim:
- Pull away the door opening seal from the driver's A-pillar trim.
  - Pull out on the driver's A-pillar trim to release three clips.

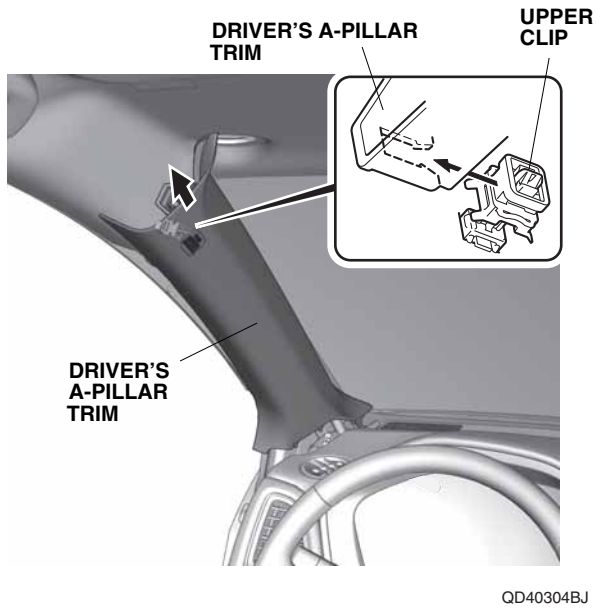


QD40302BJ

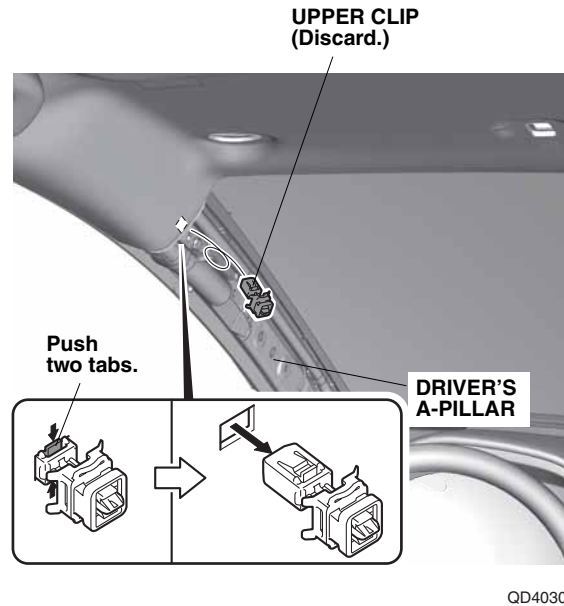
- To prevent clips from falling into the body panel area, carefully insert a shop towel between the driver's A-pillar and the driver's A-pillar trim.



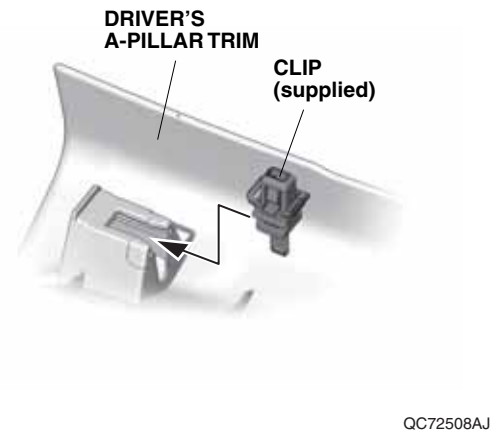
- Slide the driver's A-pillar trim upward, and remove the driver's A-pillar trim.
- Remove the shop towel and any clips.



- Remove the remaining upper clip from the driver's A-pillar.

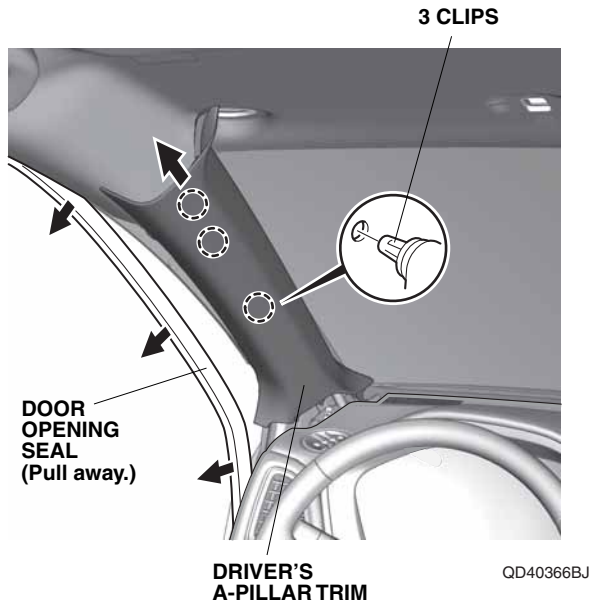


- Install the new clip (supplied) to the driver's A-pillar trim. Go to step 12.

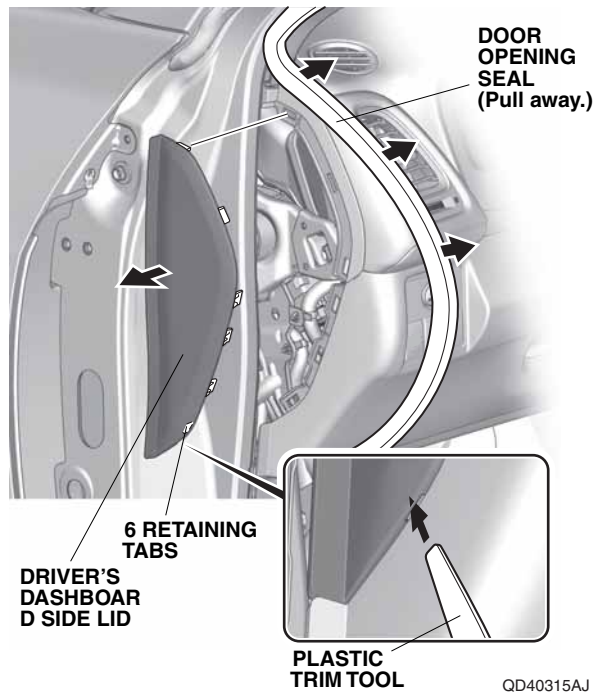


Without side curtain airbags

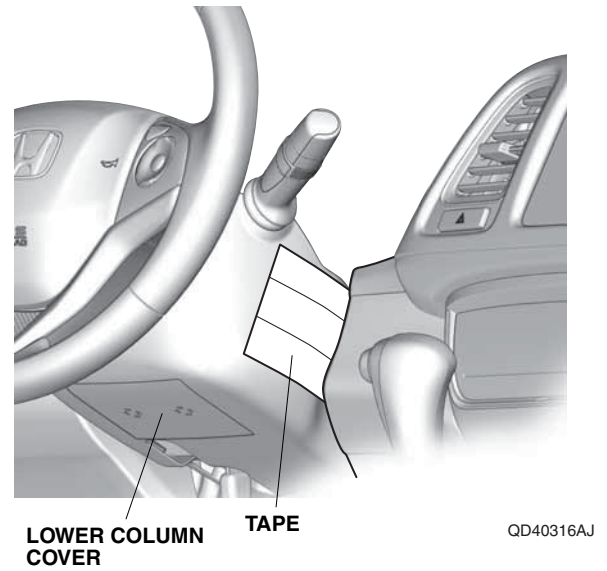
- 11. Pull away the door opening seal, and remove the driver's A-pillar trim (three clips).



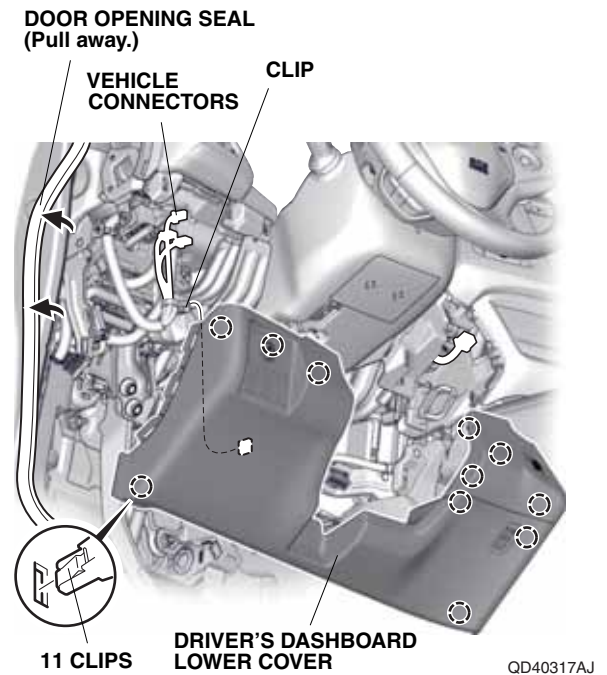
- 12. Pull away the door opening seal, and remove the driver's dashboard side lid (six retaining tabs).



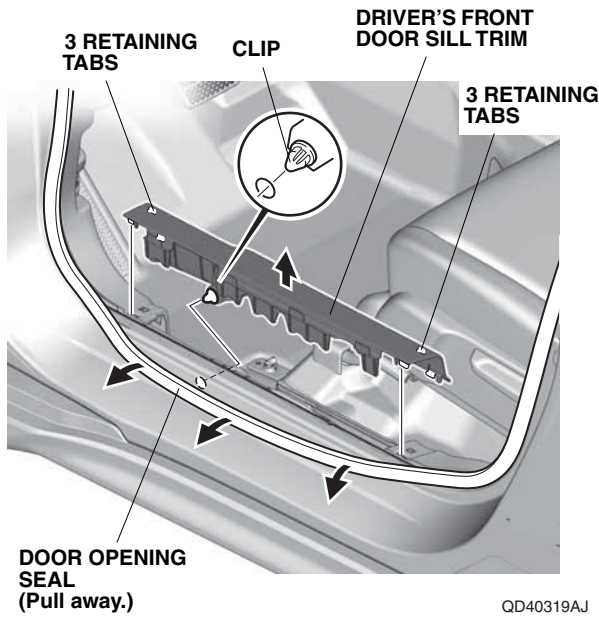
- 13. Attach the tape to the lower column cover.



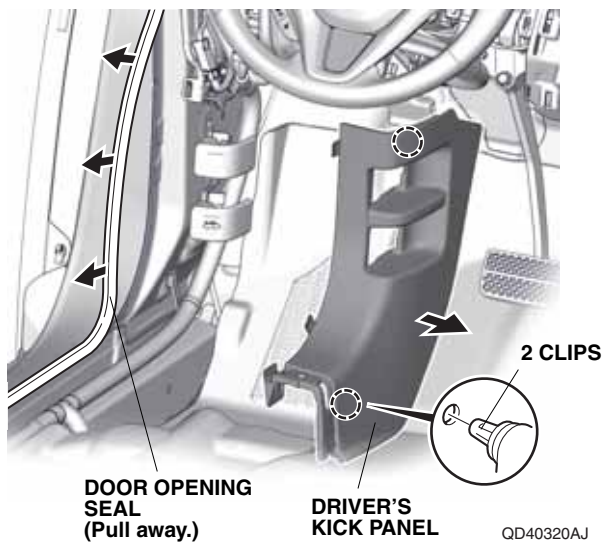
- 14. Pull away the door opening seal, and remove the driver's dashboard lower cover (12 clips, and unplug the vehicle connectors).



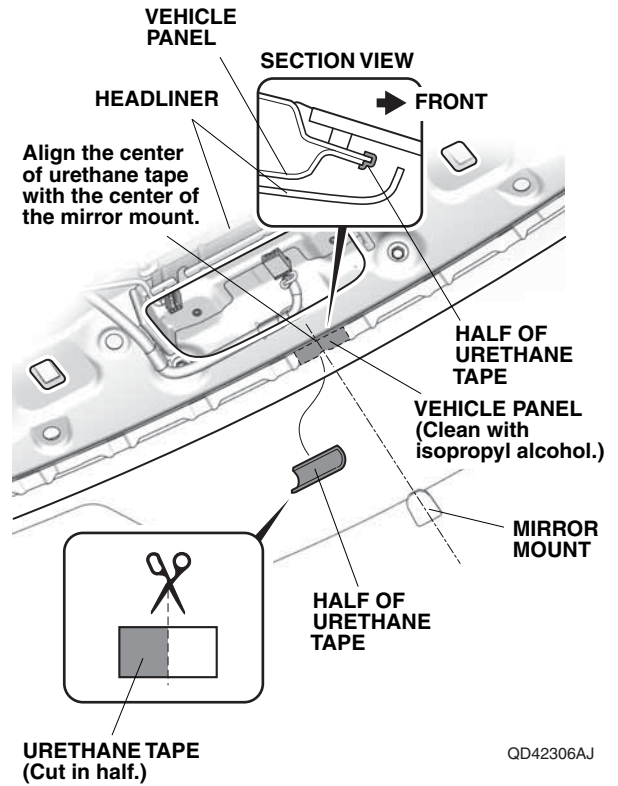
15. Pull away the door opening seal, and remove the driver's front door sill trim (one clip and six retaining tabs).



16. Pull away the door opening seal, and remove the driver's kick panel (two clips).



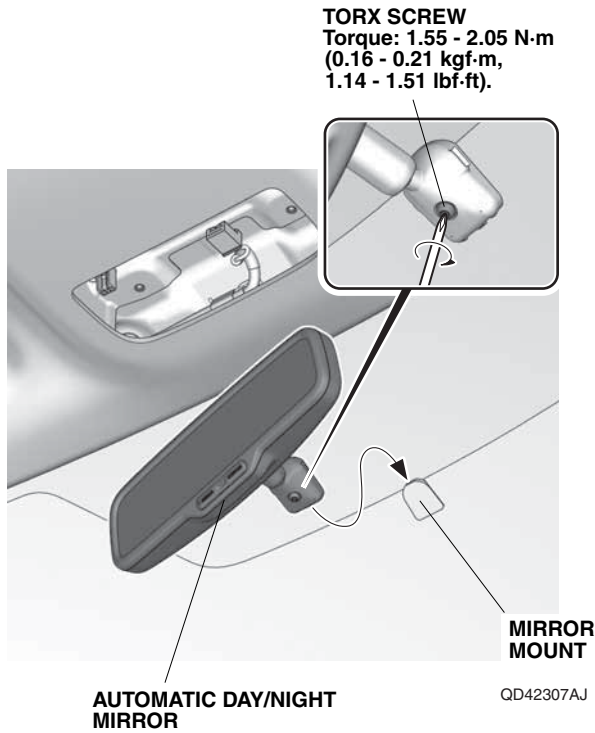
17. Using isopropyl alcohol on a shop towel, clean the vehicle panel where the urethane tape will attach.



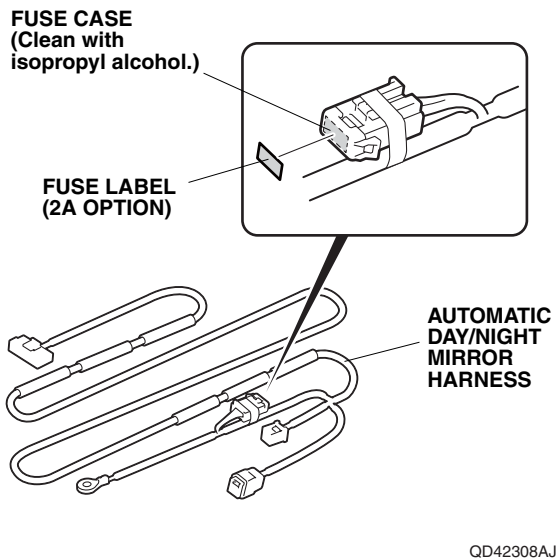
18. Using scissors, cut one urethane tape in half. Attach one half of urethane tape to the vehicle panel as shown. Be careful not to crease the headliner.



19. Install the automatic day/night mirror on the mirror mount as shown, and tighten the TORX screw.

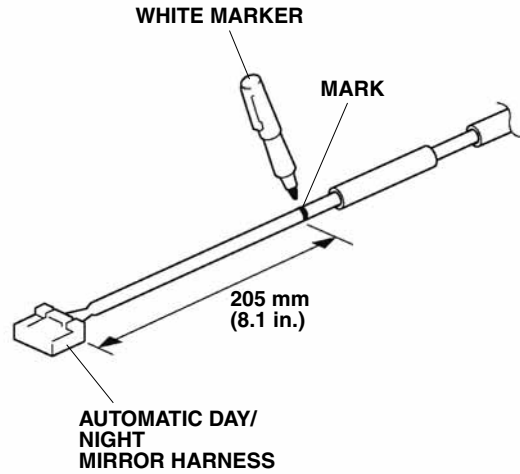


20. Using isopropyl alcohol on a shop towel, clean the fuse case where the fuse label will attach.



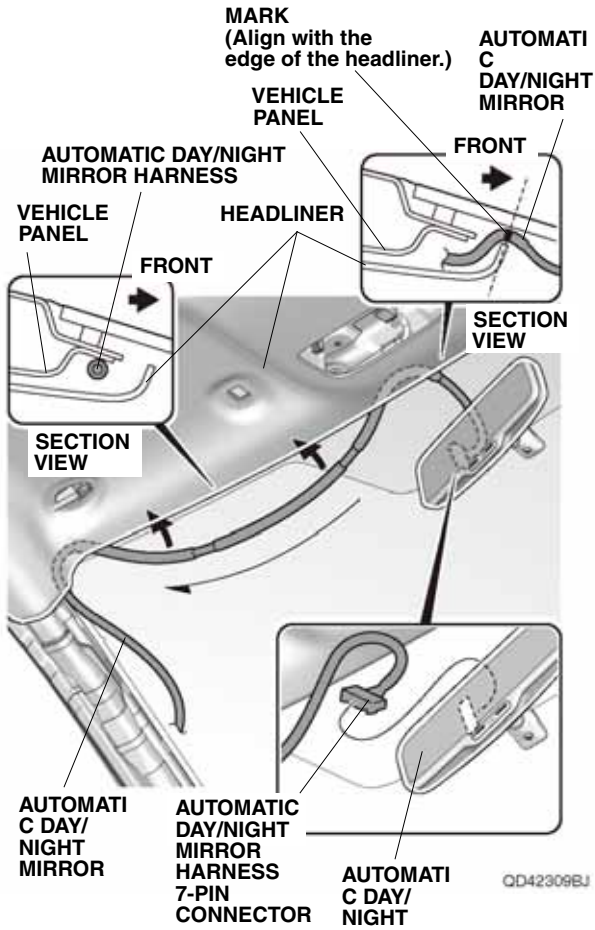
21. Attach the fuse label to the automatic day/night mirror harness fuse case.

22. Using a white marker, mark the automatic day/night mirror harness at the measurement shown.



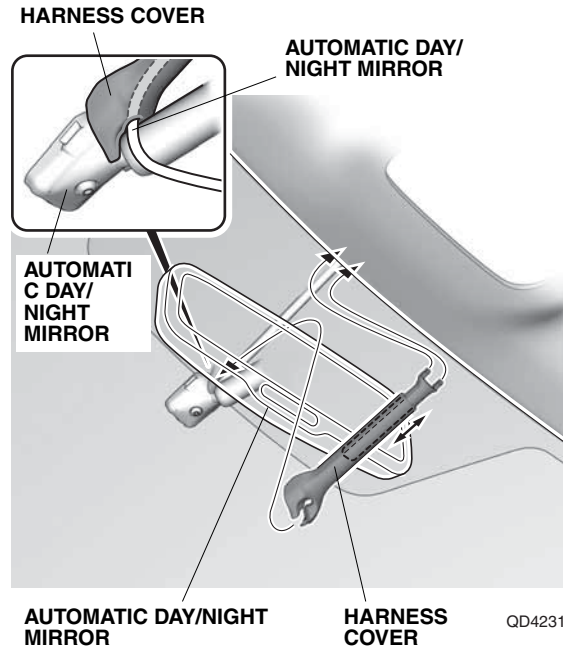
QDD0506AJ

23. Plug the automatic day/night mirror harness 7-pin connector into the automatic day/night mirror.

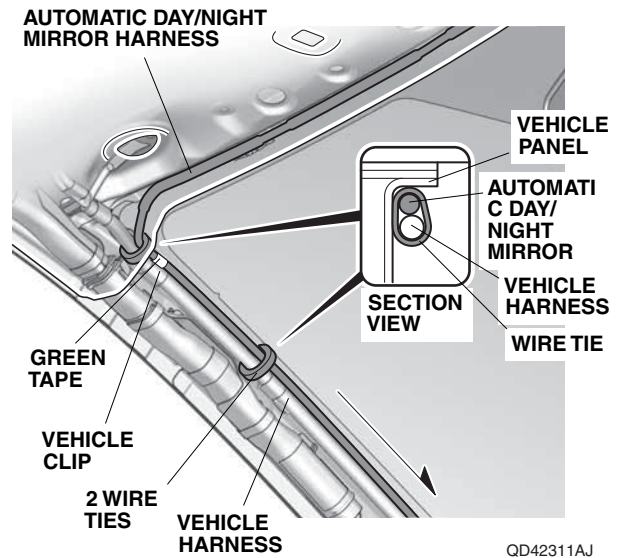


24. Gently pull back the headliner, and tuck the automatic day/night mirror harness behind the headliner. Align the mark on the automatic day/night mirror harness with the edge of the headliner. Be careful not to crease the headliner.

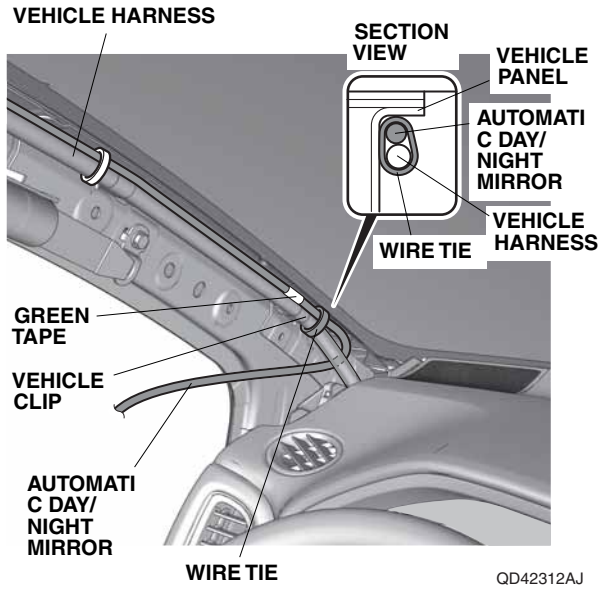
25. Route the automatic day/night mirror harness through the groove in the harness cover. Secure the harness cover to the mirror stay. Slide the harness cover behind the headliner.



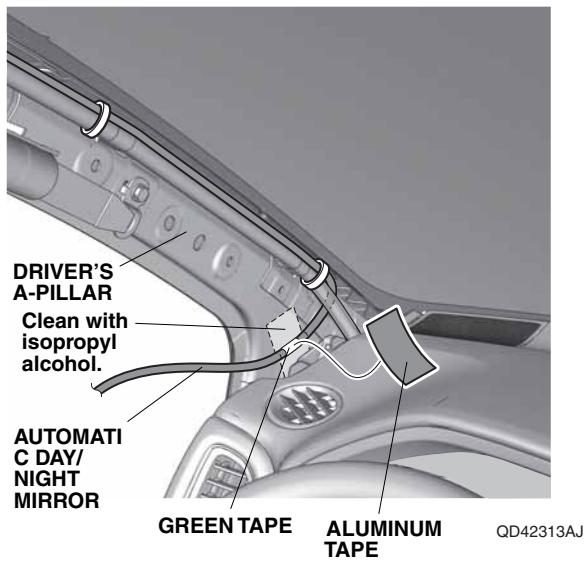
26. Route the automatic day/night mirror harness down the A-pillar as shown. Align the green tape on the automatic day/night mirror harness with the vehicle clip, and secure the automatic day/night mirror harness to the vehicle harness with two wire ties. Do not cover the installation holes of the driver's A-pillar trim.



27. Align the green tape on the automatic day/night mirror harness with the vehicle clip, and secure the automatic day/night mirror harness to the vehicle harness with one wire tie.

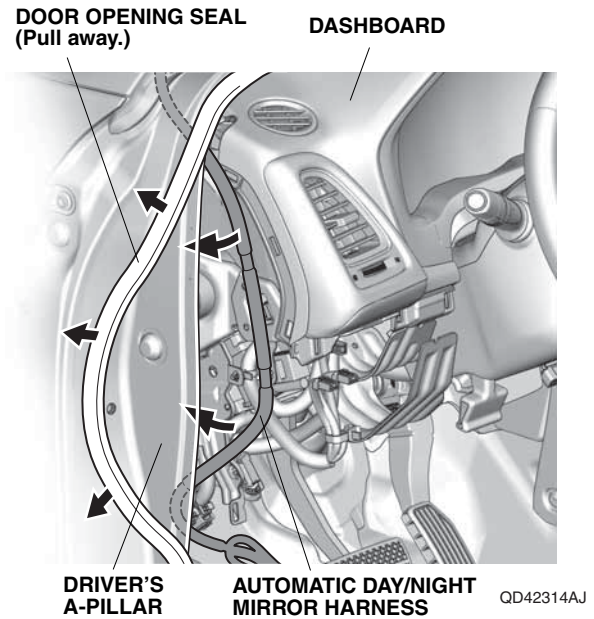


28. Using isopropyl alcohol on a shop towel, clean the driver's A-pillar where the aluminum tape will attach.



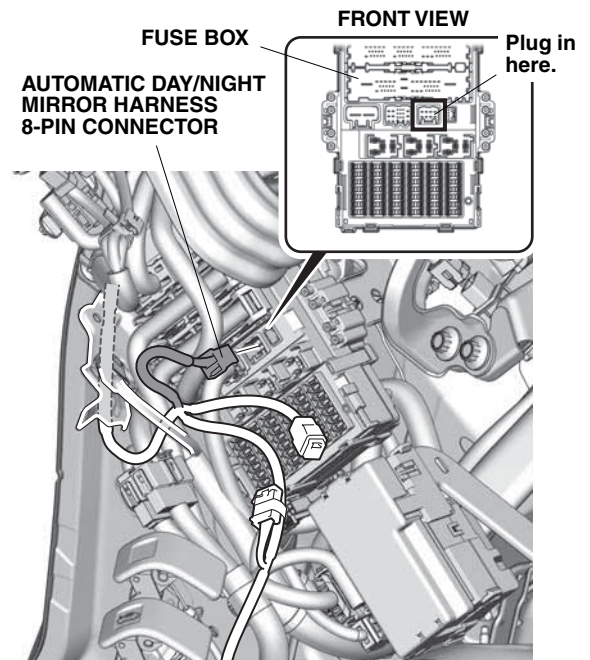
29. Attach the green tape on the automatic day/night mirror harness to the driver's A-pillar with one aluminum tape.

30. Pull away the door opening seal. Route the automatic day/night mirror harness down next to the dashboard, and tuck the automatic day/night mirror harness between the driver's A-pillar and the dashboard.



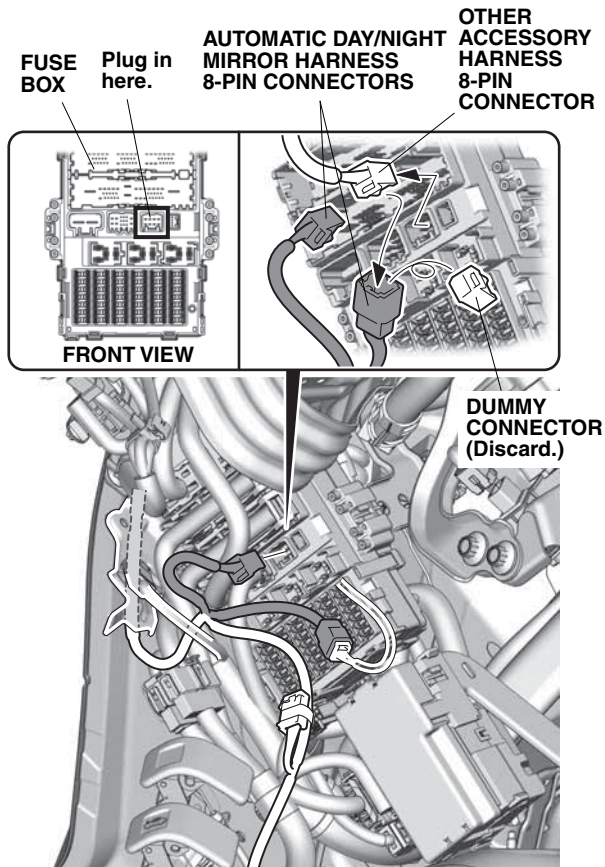
Without Other Accessory Harness 8-pin Connector

31. Plug the automatic day/night mirror harness 8-pin connector into the fuse box. Go to step 33.



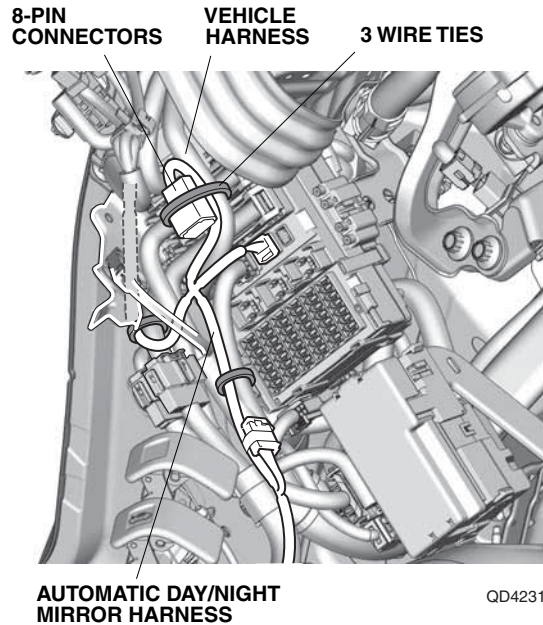
## With Other Accessory Harness 8-pin Connector

32. If other accessory harness 8-pin connector is plugged into the fuse box, unplug the 8-pin connector from the fuse box, then plug the automatic day/night mirror harness 8-pin connector into the fuse box. Remove and discard the dummy connector from the automatic day/night mirror harness 8-pin connector, and plug other accessory harness 8-pin connector into the automatic day/night mirror harness 8-pin connector.

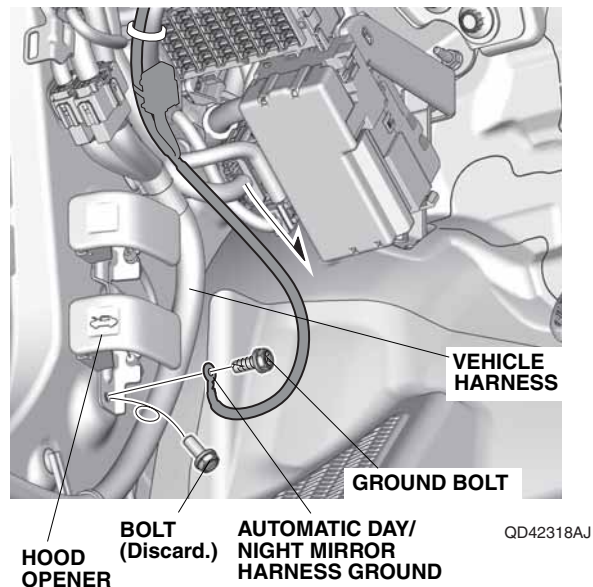


QD42316AJ

33. Secure the 8-pin connectors and automatic day/night mirror harness to the vehicle harness with three wire ties.

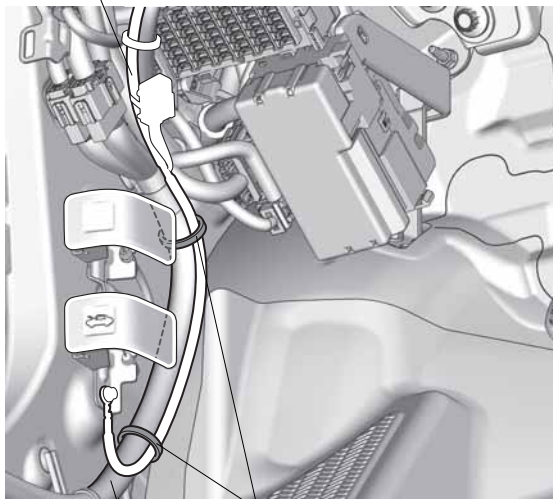


34. Route the automatic day/night mirror harness along the vehicle harness. Remove the bolt, and install the automatic day/night mirror harness ground terminal with one ground bolt.



35. Secure the automatic day/night mirror harness to the vehicle harness with two wire ties.

**AUTOMATIC DAY/NIGHT MIRROR HARNESS**



**VEHICLE HARNESS**

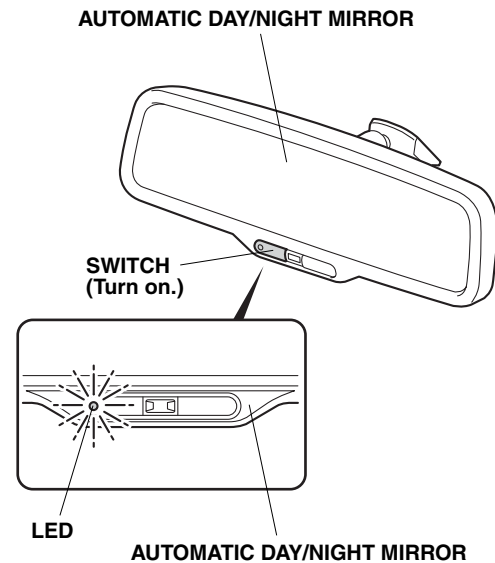
**2 WIRE TIES**

QD42319AJ

36. Check that all wire harnesses are routed properly and all connectors are plugged in.
37. Check the overlap between the headliner and the driver's A-pillar trim. Refer to the Service Manual. If necessary, adjust the overlap.
38. Reinstall all removed parts.
39. Reconnect the negative cable to the battery.
40. Press and hold the radio power button for two seconds to restore the radio and navi (if equipped) system functions.
41. Reset the clock.
42. Restore the systems back to normal operation as described in the Service Manual if necessary.
43. Perform the "CHECK THE OPERATION OF THE AUTOMATIC DAY/NIGHT MIRROR."
44. Adjust the zone and calibrate as required.

**CHECK THE OPERATION OF THE AUTOMATIC DAY/NIGHT MIRROR**

1. Turn the engine switch to ON, but do not start the engine.

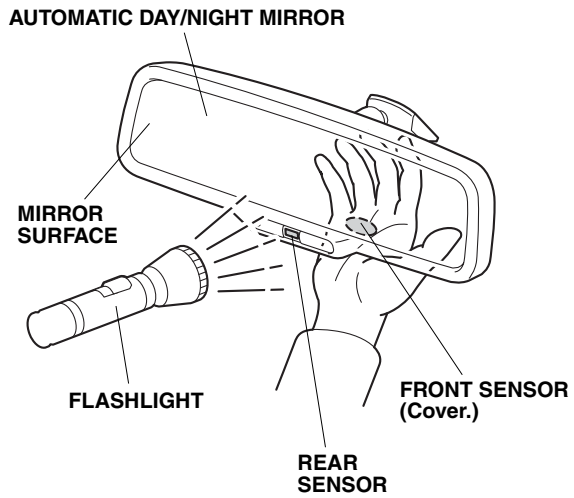


**AUTOMATIC DAY/NIGHT MIRROR**

030406AB

2. Turn on the switch. Check that the LED lights.

3. Cover the front sensor on the automatic day/night mirror with your hand, and use a flashlight to light the rear sensor on the automatic day/night mirror. Make sure the mirror surface dims.



030407AB

4. Step on the brake pedal, and move the shift lever to the R position. Repeat step 3, and make sure the mirror surface does not dim.
  - Make sure that the parking brake is set securely.
  - If the automatic day/night mirror does not function properly, check the fuse and all connectors, including the ground cable.