



INSTRUCTIONS

-J05871

REV. 2014-11-13

ILLUMINATED WINDSHIELD TRIM

GENERAL

Kit Number

57000394, 57000395

Models

For model fitment information, see the P&A Retail Catalog or the Parts and Accessories section of www.harley-davidson.com (English only).

NOTES

The illuminated windshield trim is not intended to replace the stock turn signals. The illuminated windshield trim will not function properly without the stock turn signals installed.

Tools and Supplies Required

⚠ WARNING

The rider's safety depends upon the correct installation of this kit. Use the appropriate service manual procedures. If the procedure is not within your capabilities or you do not have the correct tools, have a Harley-Davidson dealer perform the installation. Improper installation of this kit could result in death or serious injury. (00333a)

NOTE

This instruction sheet refers to service manual information. A service manual for this year/model motorcycle is required for this installation and is available from a Harley-Davidson dealer.

Electrical Overload

NOTICE

It is possible to overload your vehicle's charging system by adding too many electrical accessories. If the combined electrical accessories operating at any one time consume more electrical current than the vehicle's charging system can produce, the electrical consumption can discharge the battery and cause damage to the vehicle's electrical system. See an authorized Harley-Davidson dealer for advice about the amount of current consumed by additional electrical accessories or for necessary wiring changes. (00211c)

⚠ WARNING

When installing any electrical accessory, be certain not to exceed the maximum amperage rating of the fuse or circuit breaker protecting the affected circuit being modified. Exceeding the maximum amperage can lead to electrical failures, which could result in death or serious injury. (00310a)

The illuminated windshield trim requires up to **260 mA** additional current from the electrical system.

Kit Contents

See Figure 5 and Table 1.

INSTALLATION

Preparation

⚠ WARNING

To prevent accidental vehicle start-up, which could cause death or serious injury, remove main fuse before proceeding. (00251b)

1. See the service manual. Remove main fuse.

Install Module Harness

1. See the service manual. Remove outer fairing.

NOTE

An example of the module harness routing is shown in Figure 1. The configuration of the inner fairing components can require a different routing.

2. Route the module harness similarly to the routing shown in Figure 1. When finished, the routing should:
 - a. Secure harness module (3) to harness connector or other feature with a cable strap (8).
 - b. Route the left side turn signal Y-harness (4) (one wire) to the left side fairing thru-hole to gain access to the turn signal bracket location.
 - c. Route the right side turn signal Y-harness (5) (three wire) to the right side thru-hole to gain access to the turn signal bracket location.
 - d. Route windshield trim connector (2) to the area of the right side windshield mounting location.
 - e. Secure all harness wiring to existing harnesses with cable straps (8).
 - f. Make sure that wiring is not be pinched, damaged or otherwise interferes with the installation of the outer fairing.

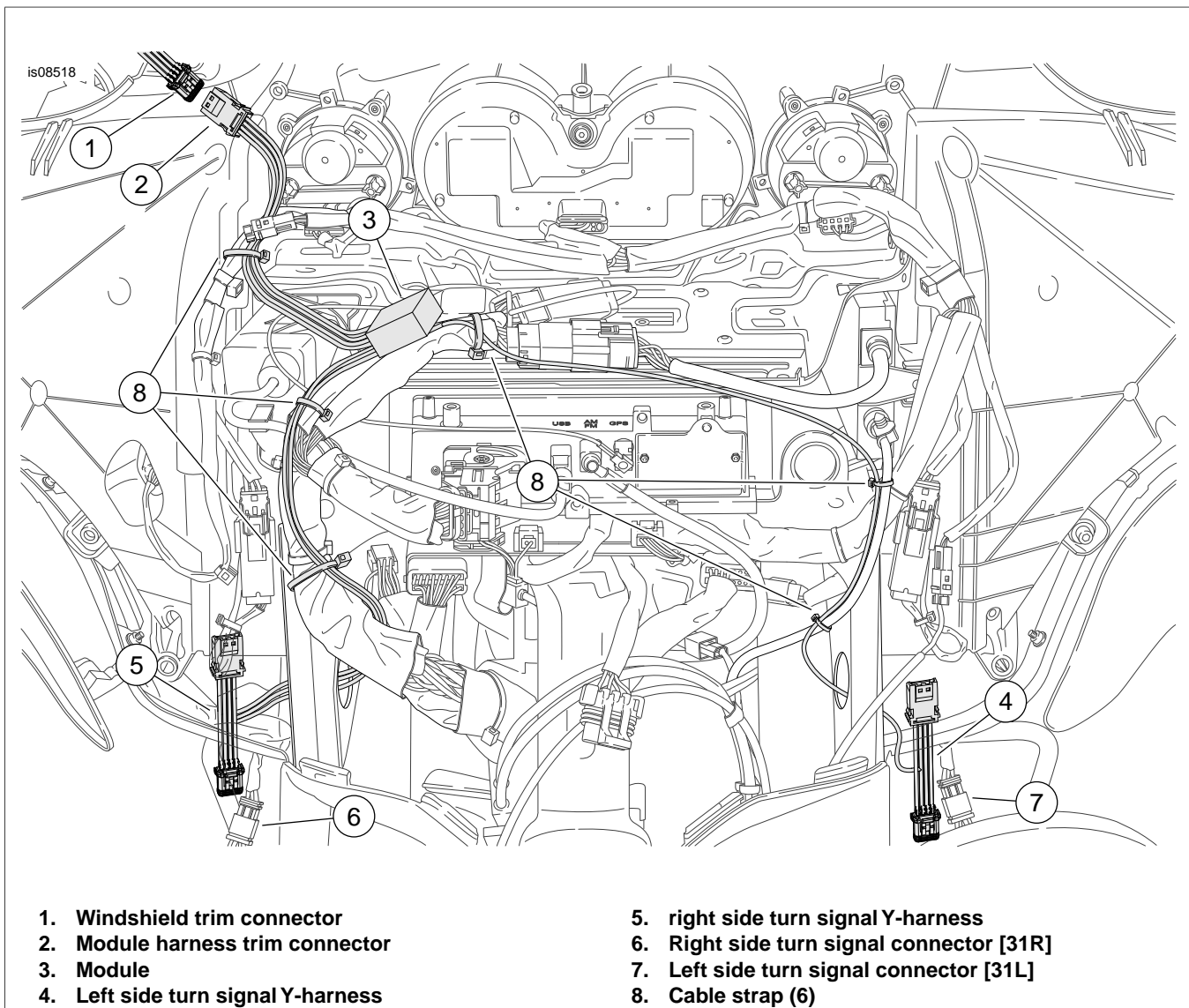


Figure 1. Module Harness Routing Example

Connect Module Harness to Turn Signals

1. See the service manual. Remove right turn signal bracket assembly.
2. See Figure 2. Locate and disconnect turn signal connector (2) from turn signal harness connector [31L or 31R](1).
3. Install the right side turn signal Y-harness(3) to the right side turn signal harness connector.
4. See the service manual. Connect the turn signal connector (2) to the right side turn signal Y-harness.
5. See the service manual. Install turn signal bracket assembly.
6. Repeat the procedure for the opposite side front turn signal.

Install Illuminated Windshield Trim

NOTE

For best results use a stepped drill bit to slowly enlarge the size of the hole.

1. See Figure 3. Using a 9/16 inch (14.5 mm) drill bit, enlarge the right side windshield mounting hole. If possible, offset

the drilled hole slightly towards the bottom of the hole. Enlarging the hole will allow the windshield trim wiring to pass by the threaded mounting insert.

2. See Figure 4. Route the connector and wiring (1) through the enlarged hole (2) in the outer fairing. Install the illuminated windshield trim onto the front of the outer fairing. Hold trim in place on outer fairing.
3. See Figure 4. Secure the wiring (1) to the inside of the outer fairing with tape (3). This allows the wiring to pass by the threaded mounting insert on the inner fairing without interference when the outer fairing is installed.
4. See Figure 1. Connect windshield trim connector (1) to the module harness trim connector (2).
5. See the service manual, Figure 3 and Figure 5. Install outer fairing. Use the screws (4 and 5) and washers (3) from the kit to secure the illuminated windshield trim while installing the windshield.

FINAL ASSEMBLY

1. Secure all wiring away from any moving parts, pinch points or extreme heat.

NOTE

Verify that the ignition/light key switch is in the OFF position **before** installing the main fuse/attaching the battery cables.

2. See the service manual. Install main fuse.
3. Turn the key switch to IGNITION, but do not start the motorcycle. Test for proper turn signal and illuminated windshield trim operation.

Proper operation of mirror cover lamps is:

- a. Illuminated windshield trim operate as running lights during normal vehicle operation.
- b. Illuminated windshield trim outer lamps flash with the corresponding turn signal when activated.
- c. BOTH illuminated windshield trim outer lamps flash when the emergency flashers are activated.

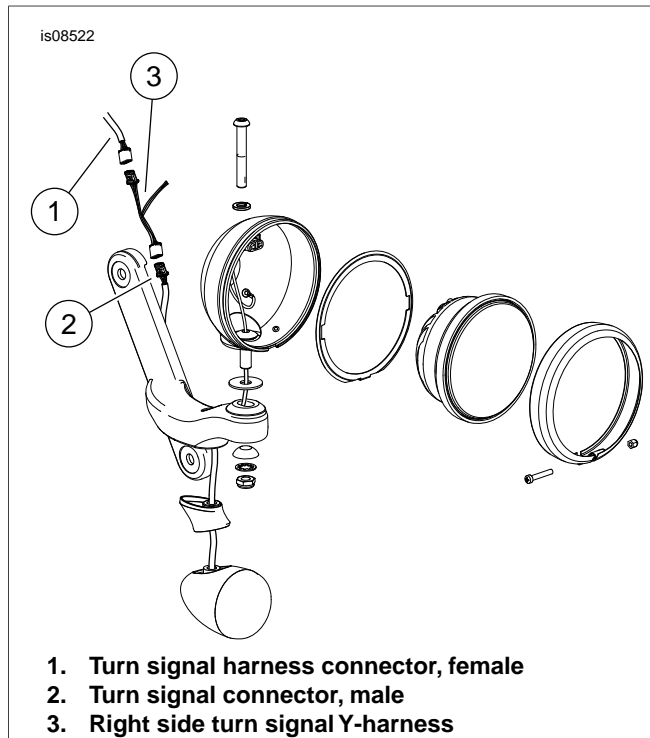


Figure 2. Auxiliary/Fog Lamp Assembly

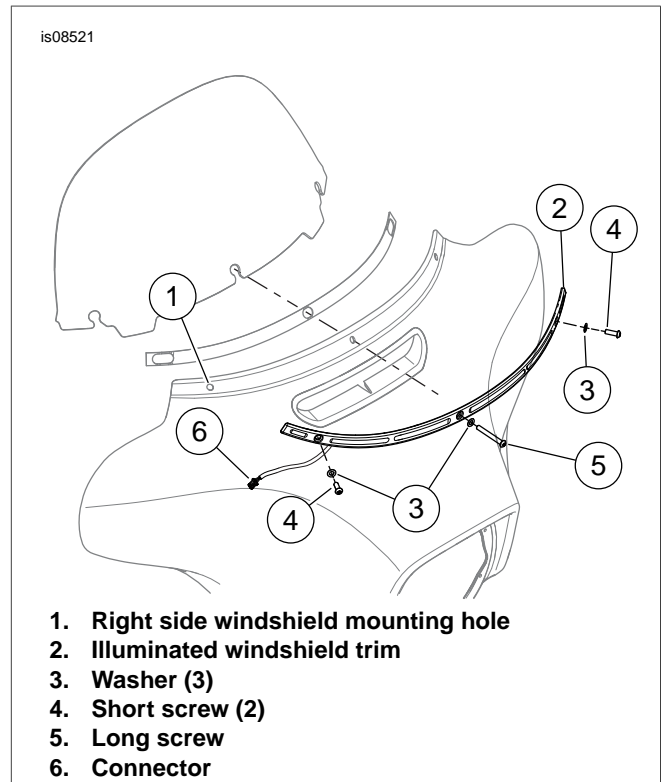


Figure 3. Install Illuminated Windshield Trim

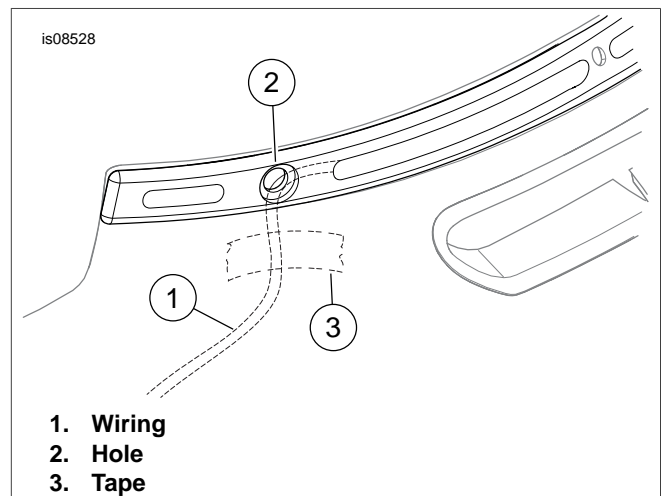


Figure 4. Route Illuminated Windshield Trim Wiring

SERVICE PARTS

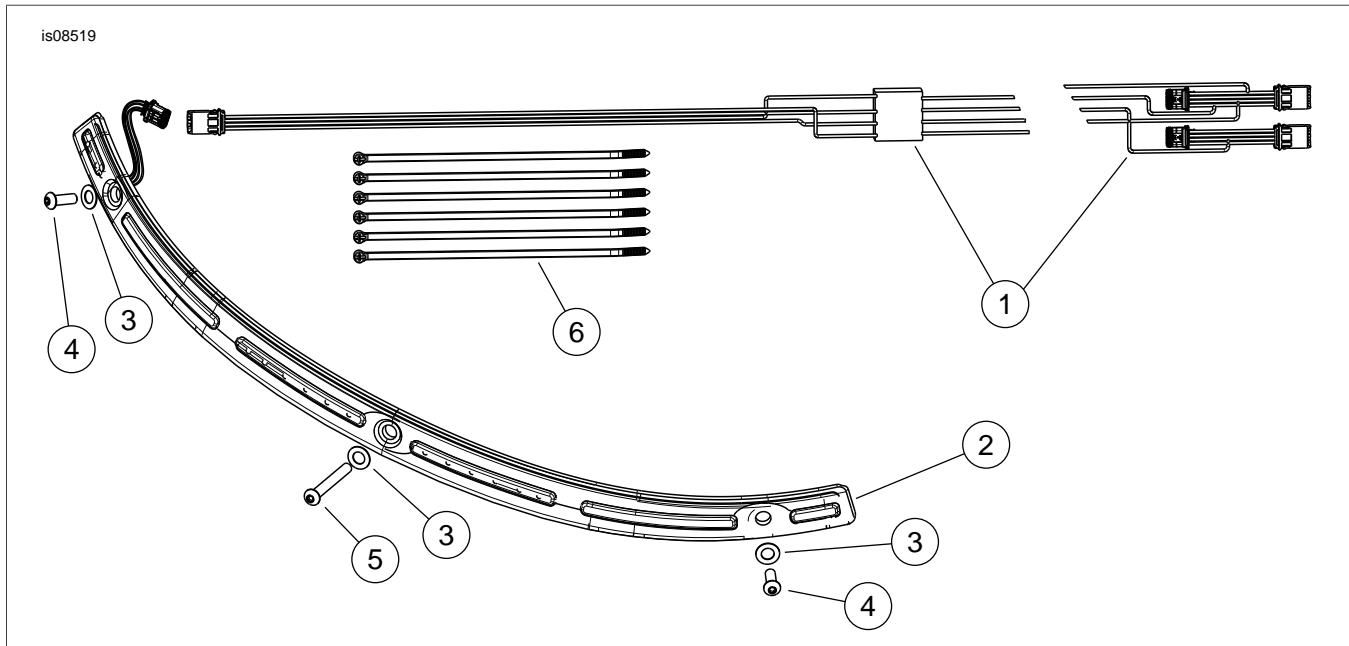


Figure 5. Service Parts: Illuminated Windshield Trim

Table 1. Service Parts Table

Item	Description (Quantity)	Part Number
1	Module harness	69201037
2	Illuminated windshield trim	Not Sold Separately
3	Washer (3)	10300087
4	Short screw (2)	4976
5	Long screw	10500034
6	Cable strap (6)	10006