

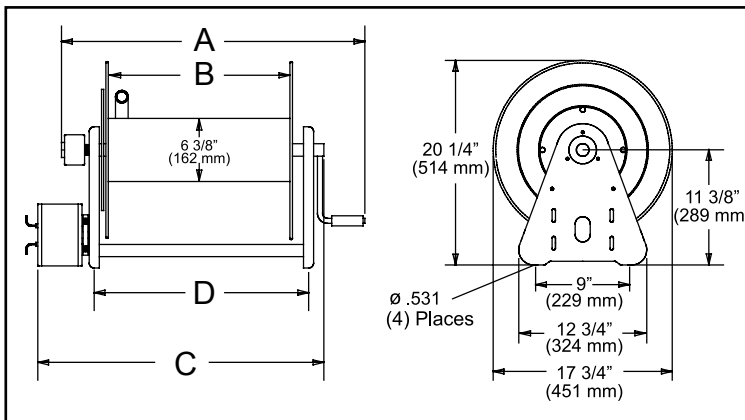
# Operating Instructions

## Series B37000 Hose Reels

BB37118 L	CB37118 L	EB37118 L12D
BB37122 L	CB37122 L	EB37122 L12D
BB37128 L	CB37128 L	EB37128 L12D



### Dimensional Data



Part #	A	B	C	D
BB/CB37118 L	31 3/4"	18"	-----	21 3/4"
EB37118 L12D	-----	18"	31"	21 3/4"
BB/CB37122 L	35 3/4"	22"	-----	25 3/4"
EB37122 L12D	-----	22"	35"	25 3/4"
BB/CB37128 L	40 3/4"	27"	-----	30 3/4"
EB37128 L12D	-----	27"	40"	30 3/4"

### Safety Precautions

Personal injury and/or equipment damage may result if proper safety precautions are not observed.

- Ensure that the reel has been properly installed before connecting supply line (see installation instructions).
- Bleed fluid/gas pressure from system before servicing reel.
- Before connecting reel to supply line ensure that supply line pressure does not exceed maximum rated working pressure of reel.
- Do not play pranks on other personnel. Even low pressure is very dangerous and can cause irreparable damage or death.
- Do not wear loose fitting clothing while operating reel.
- Be aware of other personnel in work area.
- Be aware of other machinery in work area.
- If a leak occurs in the hose or reel, remove supply line pressure immediately.
- If the reel is power driven check for loose, frayed, and/or broken wires before operating.
- Treat and respect a hose reel as any other piece of machinery, observing all common safety practices.

Form# 1255-1030 Rev: 8/2014

## INSTALLATION INSTRUCTIONS

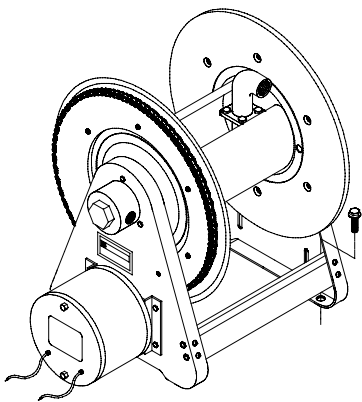
### Inspection

Unpack and inspect the reel for damage. Turn the reel by hand to check for smooth operation. Check for completeness.

### Mounting of all hose reels

**NOTE:** Ensure that mounting surface is flat to prevent binding on reel after it is mounted.

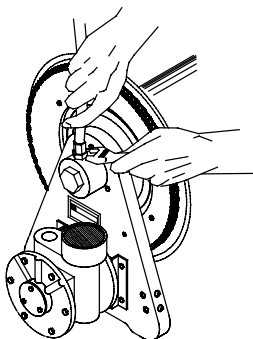
1. Two 1/2" diameter mounting holes are located at the base of each side support panel (2 each). Mount reel using four (customer supplied) bolts; tightening them securely to ensure a solid, rigid attachment.



2. Perform the following steps only after all other installation steps, pertaining to your particular reel, are accomplished. Refer to page 4 for special instructions.

**NOTE:** A flexible hose connection must be used to compensate for any offset between the supply line and the reel swivel.

3. Apply thread compound to all threads.
4. Thread male connector of supply line into swivel. Tighten securely.



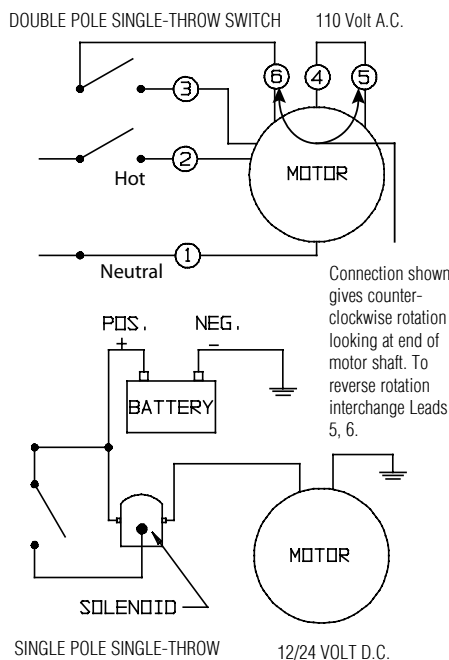
### Manual Driven Reels

Additional mounting instructions are not required.

### Power Drive Reels

**CAUTION:** Remove all electrical power when wiring. Do not "hot-wire". Observe all applicable NEC/OSHA requirements.

1. Ensure that supply and motor voltage ratings are compatible.
2. Consult wiring diagrams and determine which one is applicable to your reel.
3. Perform electrical wiring following applicable diagram.

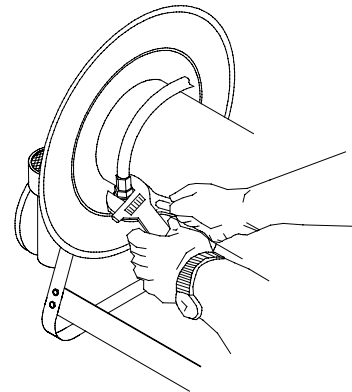


### Connecting the hose

**CAUTION:** Do not connect the hose to the connecting tube assembly until after hose reel has been installed. Fully extend and charge hose before winding on to reel. Momentarily open control valve, when initially charging, to purge hose of gases. When fluid appears at control valve, close valve. This prevents flattening of the hose and excessive pressure on the drum when fluid supply is reinitialized at a later time.

1. Apply thread compound to all threads.
2. Hand thread male hose connector into connecting tube assembly.

3. Using a wrench, firmly hold onto connecting tube assembly while tightening hose connector.



## OPERATING INSTRUCTIONS

### WARNING-PREVENT STATIC

**SPARKING:** When working around flammable liquids such as solvents, paints, chemicals or petroleum products, ensure that the hose reel, hose and the equipment being serviced are properly grounded. Use grounded hose(s) (static wire). Use an ohmmeter to check continuity of the ground circuit. Fire and/or explosion can result if proper grounding is not achieved. If reel is power or air driven, be careful of chain/sprocket drive system. Keep hands clear. Do not wear loose fitting clothing. Pull hose from the reel by grasping the hose itself, not the control handle or swivel.

## SERVICE INSTRUCTIONS

### Replacing the hose

1. Using a wrench, firmly hold onto the connecting tube assembly while removing hose connector.
2. Follow procedures for "Connecting the hose" (refer to installation instructions).

### Replacing the swivel

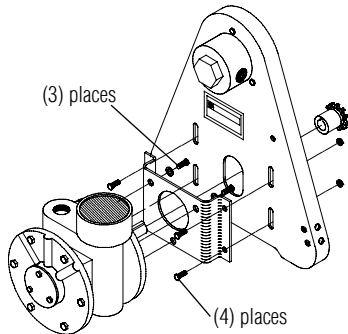
**CAUTION:** Remove supply line pressure before performing the following procedure.

1. Remove supply line from swivel.
2. Remove swivel assembly from inlet shaft.
3. Install swivel assembly to inlet shaft by reversing steps 1 and 2. Apply thread compound to all threads.

### Replacing the motor

**CAUTION:** Before replacing the motor, remove all electrical power or air pressure from motor.

1. Disconnect wiring/air lines from motor.
2. Remove bolts securing motor mounting bracket to reel. Remove bracket (refer to diagram on page 3).
3. Install swivel assembly to inlet shaft by reversing steps 1 and 2. Apply thread compound to all threads.



### Replacing the chain

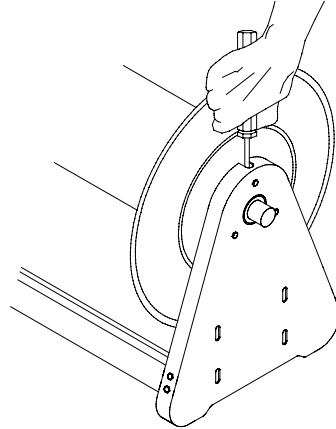
**CAUTION:** Before replacing the chain, remove all electrical power or air pressure from motor.

1. Loosen (do not remove) bolts securing motor mounting bracket in place.
2. Remove chain master-link.
3. Remove chain master-link. Install new chain by reversing steps 1 and 2 above.

## ADJUSTMENT PROCEDURES

### Adjusting the reel

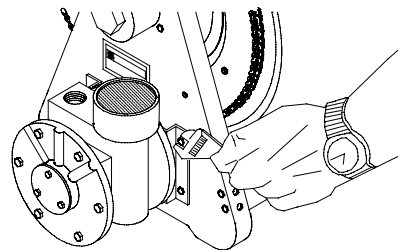
1. Adjust reel drag by loosening or tightening set screw on hub casting on manual driven reel.



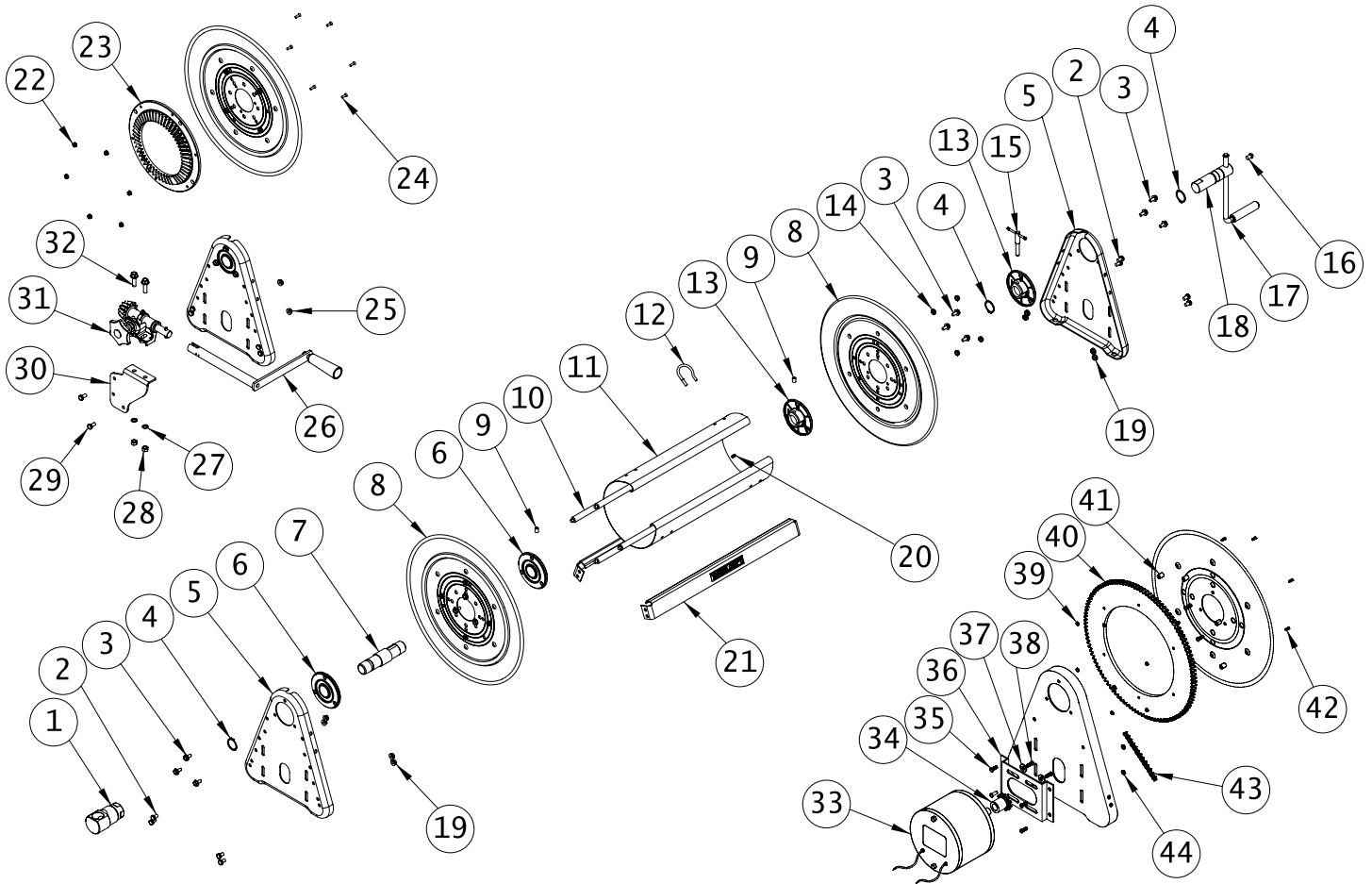
### Adjusting the chain tension

**CAUTION:** Before adjusting the chain tension, remove all electrical power or air pressure from motor. Over-tensioned (tightening) of chain results in reduced motor life. Adjust to allow between 1/4 and 1/2 inch play in chain.

1. Loosen bolts (do not remove) securing motor mounting bracket to reel.
2. Move motor mounting bracket and motor until proper chain tension is obtained.
3. Tighten motor mounting bracket bolts.



# Series B37000 Hose Reels



ITEM	DESCRIPTION	QTY.	BB37118 L	BB37122 L	BB37128 L	ITEM	DESCRIPTION	QTY.	BB37118 L	BB37122 L	BB37128 L
1	Swivel (1" x 1") Afias	1	600682	600682	600682	19	Lock Nut (5/16-18)	8	300107	300107	300107
2	Hex Cap Screw (5-16-18 x 2)	8	S2-51	S2-51	S2-51	20	Nyloc Nut (1/4-20)	1	300070	300070	300070
3	Self Tapping Screw (5/6-12 x 5/8)	12	S317-31	S317-31	S317-31	21	Cross Brace	2	261501-3	261501-4	261501-5
4	Snap Ring (1 1/4 ID)	3	300007	300007	300007	22	Flange Nut (10-32)	6	S79-3	S79-3	S79-3
5	Side Frame	2	260403	260403	260403	23	Bevel Gear	1	323058M-ANZ	323058M-ANZ	323058M-ANZ
6	Hub & Bearing Assembly	2	602588	602588	602588	24	Flat Cap Screw (10-32 x 5/8)	6	S27-108	S27-108	S27-108
7	Inlet Shaft	1	262658	262658	262658	25	Lock Nut (5/16-18)	2	300107	300107	300107
8	Spool Flange	2	260399-3	260399-3	260399-3	26	Crank & Handle Assembly	1	390838-10-35	390838-10-35	390838-10-35
9	Set Screw (3/8-16 x 1/2)	2	300006	300006	300006	27	Lock Washer	2	S339-616	S339-616	S339-616
10	Tie Rod	4	260402-300	260402-400	260402-500	28	Hex Nut	2	S77-6	S77-6	S77-6
11	Spool Spacer	1	261775-3	261775-4	261775-5	29	Hex Cap Screw (5-16-18 x 5/8)	2	S2-52	S2-52	S2-52
12	U-Bottl (1")	1	261395	261395	261395	30	Crank Support (Right Side)	1	262344	262344	262344
13	Hub & Bearing Assembly	2	600640	600640	600640	30	Crank Support (Left Side)	1	262344L	262344L	262344L
14	Nyloc Nut (5/16-18)	8	S85-7	S85-7	S85-7	31	Hand Rewind Assembly (Offset Left)	1	391843-1-ANZ	391843-1-ANZ	391843-1-ANZ
15	Lock Handle Assembly	1	280109	280109	280109	32	Hex Flange Screw (3/8-16 x 1-1/4)	2	S44-6	S44-6	S44-6
18	Support Shaft	1	260770	260770	260770	---	Reinforcement Spring*	1	261683	261683	261683

\*The reinforcement spring is inserted into the hose where it connects to the reel ensuring that the hose does not pinch or become restricted where the hose transitions onto the spool.

## Series B37000 Hose Reels

ITEM	DESCRIPTION	QTY.	CB37118 L	CB37122 L	CB37128 L	EB37118 L12D	EB37122 L12D	EB37128 L12D
1	Swivel (1" x 1") Atlas	1	600682	600682	600682	600682	600682	600682
2	Hex Cap Screw (5-16-18 x 2)	8	S2-51	S2-51	S2-51	S2-51	S2-51	S2-51
3	Self Tapping Screw (5/6-12 x 5/8)	12	S317-31	S317-31	S317-31	S317-31	S317-31	S317-31
4	Snap Ring (1 1/4 ID)	3	300007	300007	300007	300007	300007	300007
5	Side Frame	2	260403	260403	260403	260403	260403	260403
6	Hub & Bearing Assembly	2	602588	602588	602588	602588	602588	602588
7	Inlet Shaft	1	262658	262658	262658	262658	262658	262658
8	Spool Flange	2	260399-3	260399-3	260399-3	260399-3	260399-3	260399-3
9	Set Screw (3/8-16 x 1/2)	2	300006	300006	300006	300006	300006	300006
10	Tie Rod	4	260402-300	260402-400	260402-500	260402-300	260402-400	260402-500
11	Spool Spacer	1	261775-3	261775-4	261775-5	261775-3	261775-4	261775-5
12	U-Bottl (1")	1	261395	261395	261395	261395	261395	261395
13	Hub & Bearing Assembly	2	600640	600640	600640	600640	600640	600640
14	Nyloc Nut (5/16-18)	8	S85-7	S85-7	S85-7	S85-7	S85-7	S85-7
15	Lock Handle Assembly	1	280109	280109	280109	280109	280109	280109
16	Set Screw (3/8-16 x 3/8)	1	300089	300089	300089	-----	-----	-----
17	Crank Handle Assembly	1	600102	600102	600102	-----	-----	-----
18	Support Shaft	1	260770	260770	260770	260770	260770	260770
19	Lock Nut (5/16-18)	8	300107	300107	300107	300107	300107	300107
20	Nyloc Nut (1/4-20)	1	300070	300070	300070	300070	300070	300070
21	Cross Brace	2	261501-3	261501-4	261501-5	261501-3	261501-4	261501-5
33	Motor	1	-----	-----	-----	260409	260409	260409
34	Motor Gear	1	-----	-----	-----	260408	260408	260408
35	Hex Cap Screw (5-16-18 x 5/8)	4	-----	-----	-----	S2-52	S2-52	S2-52
36	Motor Bracket	1	-----	-----	-----	260405	260405	260405
37	Flat Washer (5/16 ID)	4	-----	-----	-----	300039	300039	300039
38	Hex Cap Screw (5-16-18 x 5/8)	4	-----	-----	-----	S2-52	S2-52	S2-52
39	Flange Nut (10-32)	6	-----	-----	-----	S79-3	S79-3	S79-3
40	Spool Gear (112T)	1	-----	-----	-----	260407	260407	260407
41	Gear Spacer	6	-----	-----	-----	260410	260410	260410
42	Flat Cap Screw (10-32 x 1-1/8)	6	-----	-----	-----	S27-112	S27-112	S27-112
43	Drive Chain	1	-----	-----	-----	260406	260406	260406
44	Nyloc Nut (5/16-18)	4	-----	-----	-----	S85-7	S85-7	S85-7
---	Reinforcement Spring*	1	261683	261683	261683	261683	261683	261683

\*The reinforcement spring is inserted into the hose where it connects to the reel ensuring that the hose does not pinch or become restricted where the hose transitions onto the spool.