



# JACOBSEN<sup>®</sup>

## Technical Manual

---

### Blitzer Mower

73105 - 30 Inch, 5 Blade Blitzer Mower



*WARNING: If incorrectly used, this machine can cause severe injury. Those who use and maintain this machine should be trained in its proper use, warned of its dangers and should read the entire manual before attempting to set up, operate, adjust or service the machine.*

Part No. 361077-Rev B

GB

**JACOBSEN**

**TEXTRON**

TURF CARE AND SPECIALTY PRODUCTS

# CONTENTS

---

<b>1</b> .....	<b>CONTENTS</b>	<b>6</b> .....	<b>ADJUSTMENTS</b>
<b>2</b> .....	<b>SAFETY</b>	6.1	General..... 9
2.1	Operating Safety..... 3	6.2	Bedknife ..... 9
2.2	Important Safety Notes ..... 4	6.3	Skid Adjustment ..... 9
<b>3</b> .....	<b>SPECIFICATIONS</b>	6.4	Reel Bearing ..... 10
3.1	Product Identification ..... 5	6.5	Wheel Bearing ..... 10
3.2	Mower ..... 5	<b>7</b> .....	<b>MAINTENANCE</b>
3.3	Accessories and Support Literature ..... 5	7.1	General..... 11
<b>4</b> .....	<b>CONTROLS</b>	7.2	Blade Sharpening ..... 11
4.1	Controls ..... 6	7.3	Tires ..... 11
4.2	Control Descriptions ..... 6	7.4	Care and Cleaning ..... 12
<b>5</b> .....	<b>OPERATION</b>	7.5	Storage ..... 12
5.1	Daily InspectioN..... 7	<b>8</b> .....	<b>LUBRICATION</b>
5.2	Operating Procedures ..... 7	8.1	General Lubrication Practices ..... 13
5.3	To Drive / Transport ..... 8	8.2	Gear Housings ..... 13
5.4	Mowing ..... 8	8.3	Wheels ..... 13
		8.4	Bedknife adjusting handle ..... 13

© COPYRIGHT 2000, TEXTRON INC.

"All rights reserved, including the right to reproduce this book or portions thereof in any form".

All information in this publication is based on information available at time of approval for printing. Textron Turf Care And Specialty Products reserves the right to make changes at any time without notice and without incurring any obligation.

LITHO IN U.S.A. 7-2000

## 2.1 OPERATING SAFETY

### WARNING

#### **EQUIPMENT OPERATED IMPROPERLY OR BY UNTRAINED PERSONNEL CAN BE DANGEROUS.**

Familiarize yourself with the location and proper use of all controls. Inexperienced operator's should receive instruction from someone familiar with the equipment before being allowed to operate the machine.

1. Safety is dependent upon the awareness, concern and prudence of those who operate or service the equipment. Never allow minors to operate any equipment.
2. It is your responsibility to read this manual and all publications associated with this equipment (tractor's manual, accessories and attachments). If the operator can not read English it is the owner's responsibility to explain the material contained in this manual to them.
3. Learn the proper use of the machine, the location and purpose of all the controls and gauges before you operate the equipment. Working with unfamiliar equipment can lead to accidents.
4. Never allow anyone to operate or service the machine or its attachments without proper training and instructions; or while under the influence of alcohol or drugs.
5. Wear all the necessary protective clothing and personal safety devices to protect your head, eyes, ears hands and feet. Operate the machine only in daylight or in good artificial light.
6. Inspect the area where the equipment will be used. Pick up all the debris you can find before operating. Beware of overhead obstructions (low tree limbs, electrical wires, etc.) and also underground obstacles (sprinklers, pipes, tree roots, etc.) Enter a new area cautiously. Stay alert for hidden hazards.
7. Never direct discharge of material toward bystanders, nor allow anyone near the machine while in operation. The owner/operator can prevent and is responsible for injuries inflicted to themselves, to bystanders and damage to property.
8. Never operate equipment that is not in perfect working order or is without decals, guards, shields, discharge deflectors or other protective devices securely fastened in place.
9. Never disconnect or bypass any switch.
10. Carbon monoxide in the exhaust fumes can be fatal when inhaled. Never operate the engine without proper ventilation.
11. Disengage all drives and engage parking brake before starting the engine (motor). Start the engine only when sitting in operator's seat, never while standing beside the unit.
12. Equipment must comply with the latest federal, state, and local requirements when driven or transported on public roads.
13. For hillside operation, follow recommendations provided with towing vehicle.
14. To prevent tipping or loss of control, do not start or stop suddenly, reduce speeds when making sharp turns. Use caution when changing directions on slopes.

***This machine is to be operated and maintained as specified in this manual and is intended for the professional maintenance of specialized turf grasses. It is not intended for use on rough terrain or long grasses.***

## 2 SAFETY

---

### 2.2 IMPORTANT SAFETY NOTES

---



*This safety alert symbol is used to alert you to potential hazards.*

**DANGER** - Indicates an imminently hazardous situation which, if not avoided, **WILL** result in death or serious injury.

**WARNING** - Indicates a potentially hazardous situation which, if not avoided, **COULD** result in death or serious injury.

**CAUTION** - Indicates a potentially hazardous situation which, if not avoided, **MAY** result in minor or moderate injury and property damage. It may also be used to alert against unsafe practices.

*For pictorial clarity, some illustrations in this manual may show shields, guards or plates open or removed. Under no circumstances should this equipment be operated without these devices securely fastened in place*



#### **WARNING**

1. Before leaving the operator's position for any reason:
  - a. Return traction pedal to neutral.
  - b. Disengage all drives.
  - c. Lower all implements to the ground.
  - d. Engage parking brake.
  - e. Stop engine and remove the ignition key.
2. Keep hands, feet, and clothing away from moving parts. Wait for all movement to stop before you clean, adjust or service the machine.
3. Keep the area of operation clear of all bystanders and pets.
4. Never carry passengers, unless a seat is provided for them.
5. Never operate mowing equipment without the discharge deflector securely fastened in place.

By following all instructions in this manual, you will prolong the life of your machine and maintain its maximum efficiency. Adjustments and maintenance should always be performed by a qualified technician. If additional information or service is needed, contact your Authorized Textron Turf Care And Specialty Products Dealer who is kept informed of the latest methods to service this equipment and can provide prompt and efficient service.

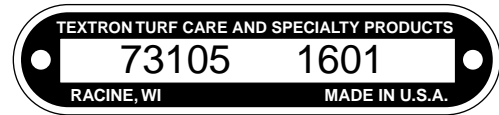
### 3.1 PRODUCT IDENTIFICATION

---

73105 ..... 30 Inch, 5 Blade Blitzer mower.

Always provide the serial number of the unit when ordering replacement parts or requesting service information.

Serial Number ..... An identification plate, like the one shown, listing the serial number, is attached to the right side gear housing.



### 3.2 MOWER

---

Cutting Width ..... 30 in. (762 mm) each unit.

Gears ..... Precision machine cut

Reel Diameter ..... 10 in. (254 mm)

Number of Blades ..... 5

Drive..... Separate train of gears for each ground wheel

Clutch..... Separate clutch for each ground wheel

Bearings..... Tapered roller bearing for reel and ground wheels. Roller bearing for intermediate gear.

Lubrication ..... All gears and bearings lubricated from main reservoirs. Use Texaco Multiflak HD00 or equivalent.

Bedknife..... Made from oil hardened special alloy steel.

Height of Cut..... 1 to 3-1/2 in. (25 to 89 mm)

### 3.3 ACCESSORIES AND SUPPORT LITERATURE

---

Contact your area Textron Turf Care And Specialty Products Dealer for a complete listing of accessories and attachments

18 in. (457 mm) Steel Wheel ..... 70093

4 x 20" Semi-Pneumatic Wheel ..... 70086

Orange Paint (12 oz. Spray) ..... 554598

8 oz. Tube OO Grease..... 5000068

Grinding Instructions Manual ..... 549595

Service Manual ..... 545709

Lapping Compound:

80 Grit, 10 lb (4.5 kg) Pail..... 5002488

80 Grit, 25 lb (11.3 kg) Pail..... 5002490

120 Grit, 10 lb (4.5 kg) Pail..... 5002489

120 Grit, 25 lb (11.3 kg) Pail..... 5002491

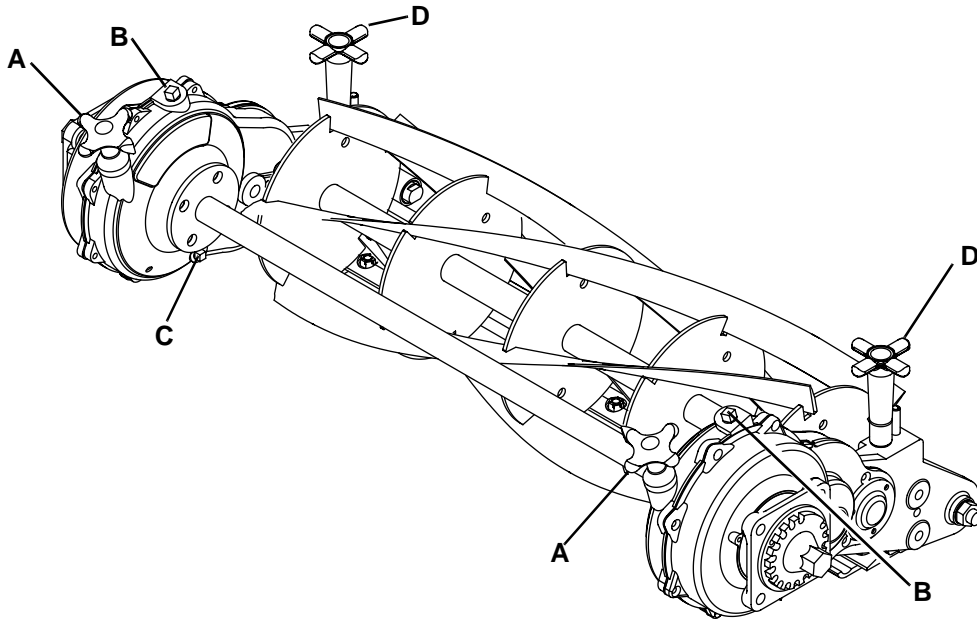
## 4 CONTROLS

---

### 4.1 CONTROLS

---

- A Clutch Handles
- B Filler Plug
- C Level Plug
- D Bedknife Adjusting Handle



### 4.2 CONTROL DESCRIPTIONS

---

**A. Clutch Handle**

Used to engage and disengage the clutch. To disengage clutch, turn pointers towards front of mower. To engage clutch, turn pointers toward rear of mower. After moving handle, rock the wheels back and forth to make sure the clutch is engaged or disengaged.

**B. Filler Plug**

Used to add grease to gear housings.

**C. Level plug**

Used to determine if grease needs to be added to gear housing. Grease level should be at bottom of plug hole.

**D. Bedknife Adjusting Handle**

Used to adjust clearance between reel and bedknife. Turn handle clockwise to bring bedknife closer to reel and counterclockwise to move away from reel.

## 5.1 DAILY INSPECTION

1. Perform a visual inspection of the entire unit, look for signs of wear, loose hardware, and missing or damaged components.
2. Make sure all mowers are adjusted to the same cutting height.
3. Check tires for proper inflation.

## 5.2 OPERATING PROCEDURES



### CAUTION

To prevent injury, always wear safety glasses, leather work shoes or boots, a hard hat, and ear protection.

1. Under no circumstances should the engine be started without the operator seated on the tractor.
2. Do not operate tractor or attachments with loose, damaged or missing components. Whenever possible mow when grass is dry.
3. First mow in a test area to become thoroughly familiar with the operation of the tractor and control levers.  
*Never operate the reels unless they are mowing grass. Heat will develop between the bedknife and reel and damage the cutting edge.*
4. Study the area to determine the best and safest operating procedure. Consider the height of the grass, type of terrain, and condition of the surface. Each condition will require certain adjustments or precautions.
5. Never direct discharge of material toward bystanders, nor allow anyone near the machine while in operation. The owner/operator is responsible for injuries inflicted to bystanders and/or damage to their property.
6. Use discretion when mowing near gravel areas (roadway, parking areas, cart paths, etc.). Stones discharged from the implement may cause serious injuries to bystanders and/or damage the equipment.
7. Always disengage both clutches to stop blades when not mowing.
8. Disengage the clutch when crossing paths or roadways. Look out for traffic.
9. Stop and inspect the equipment for damage immediately after striking an obstruction or if the machine begins to vibrate abnormally. Have the equipment repaired before resuming operation.



### WARNING

Before you clean, adjust, or repair this equipment, always disengage all drives, lower implements to the ground, engage parking brake, stop engine and remove key from ignition switch to prevent injuries.

10. Slow down and use extra care on hillsides. Use caution when operating near drop offs.
11. Look behind and down before backing up to be sure the path is clear. Use care when approaching blind corners, shrubs, trees or other objects that may obscure vision.
12. Never use your hands to clean cutting units. Use a brush to remove grass clippings from blades. Blades are extremely sharp and can cause serious injuries.
13. Operate at reduced speeds over sparsely grassed areas.
14. Plan the mowing pattern so you can mow straight forward as much as possible.
15. Reversing and changing mowing direction each time you mow will help eliminate matting, graining and corrugation. Additionally, constant turning in only one direction will produce uneven wear of gears and bearings.



### CAUTION

Before mowing, pick up all debris such as rocks, toys and wire which can be thrown by the machine. Enter a new area cautiously. Always operate at speeds that allow you to have complete control of the mower. Cut grass higher than desired the first time so mower will clear unseen obstructions and will not cause scalping if ground is rough.

6. Use discretion when mowing near gravel areas (roadway, parking areas, cart paths, etc.). Stones discharged from the implement may cause serious injuries to bystanders and/or damage the equipment.
7. Always disengage both clutches to stop blades when not mowing.

## 5 OPERATION

---

### 5.3 TO DRIVE / TRANSPORT

---

Read and follow all safety notes contained in this manual when driving or transporting tractor. Refer to Section 5.2 for general operating instructions. When operating in reverse look behind you to ensure you have a clear path.

**Important:** If this mower is towed on public roads, it must comply with federal, state and local ordinances. Contact local authorities for regulations and equipment requirements.



#### CAUTION

To prevent tipping or loss of control, travel at reduced speed when making turns.

Always disengage both clutches when transporting

### 5.4 MOWING

---



#### WARNING

To prevent serious injuries, keep hands, feet and clothing away from cutting unit when the blades are moving.

**NEVER** use your hands to clean cutting units. Use a brush to remove grass clippings from blades. Blades can be sharp and could cause injuries.

To clear obstructions from cutting unit, disengage reel switch, engage parking brake, stop engine and remove key from ignition switch then remove obstruction.

#### To mow:

**Note:** To prevent damage to the reel and bedknife, never operate mowers when they are not cutting grass.

1. Turn clutch handles to engaged position.
2. Move throttle lever to FAST then slowly depress traction pedal to the desired mowing speed.
  - a. For complete even cutting, overlap swaths by a few inches.
  - b. The most efficient operating speed for the mower is between 2 and 4 m.p.h. (3 to 6 kph) depending on grass and ground conditions.
  - c. In most cases, the tractor ground speed and cutting height can be varied to provide a good finished cut. For extremely tall grass, cut twice, first at a higher setting and then at desired height.
  - d. Stop and disengage clutches when crossing paths or roadways. Look out for traffic.



## 6.1 GENERAL

### ⚠ WARNING

To prevent injury, disengage all drives, engage parking brake, stop engine and remove key from ignition switch before making any adjustments or performing maintenance.

Make sure the tractor is parked on a solid and level surface. Never work on a tractor that is supported by the jack. Always use jack stands.

1. Adjustments and maintenance should always be performed by a qualified technician. If proper adjustment cannot be made, contact an authorized Textron Turf Care And Specialty Products Dealer.

2. Replace, do not adjust, worn or damaged components.
3. Long hair, jewelry or loose fitting clothing may get tangled in moving parts.

### ⚠ CAUTION

Be careful to prevent entrapment of the hands and fingers between moving and fixed components of the machine.

4. Do not change governor settings or overspeed the engine.

## 6.2 BEDKNIFE

1. Adjust bedknife by turning handles **(D)** on each end of the unit. Turn the handles clockwise to bring bedknife closer to reel and counter-clockwise to move it away.
  - a. When adjusting the bedknife to meet the reel, both adjusting handles must be drawn up simultaneously. Turn the handles by hand, do not use tools.
  - b. Be sure that both ends of the bedknife are always adjusted evenly to the reel. Adjusting only one side will cause the bedknife and reel to wear at an angle or taper.
  - c. Always start adjustment at the leading edge of the reel, followed by the trailing end. *The leading end of the blade is the end that passes over the bedknife first during normal rotation.*
2. Turn handles to close gap between reel and bedknife until slight resistance is felt sliding a feeler gauge or shim stock .001 in. (.025 mm) between reel blade and bedknife. Do not turn reel.
3. Repeat for trailing end of the reel in the same manner then recheck the adjustment at the leading end.

4. When properly adjusted, the reel will spin freely and you should be able to cut a piece of newspaper, along the full length of the reel, when the paper is held at 90°.
5. Mowers are equipped with a spacer **(E)** to provide greater spring pressure to the bedknife shoe. When spring **(F)** is fully compressed, remove spacer to allow an additional 5/16 in. (8 mm) adjustment.

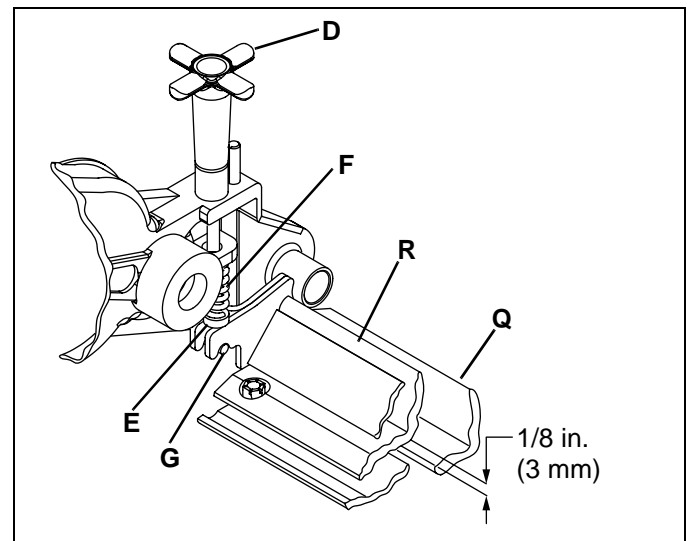


Figure 6A

## 6.3 SKID ADJUSTMENT

Adjust skid so that there is 1/8 in. (3 mm) clearance between skid **(Q)** and bedknife backing **(R)** at all times. Loosen bolts and raise or lower skid as required.

## 6 ADJUSTMENTS

### 6.4 REEL BEARING

1. Remove both bedknife adjusting handles, springs, spaces and screws (**D~G - Figure 6A**) to allow the bedknife to swing free of reel.
2. Remove right side drive wheel.
3. Remove screws (**J**) and the right side reel bearing cover (**H**).
4. Block the reel and tighten reel nut (**K**) until all end play is eliminated and the reel turns freely.

**IMPORTANT: Do not overtighten nut.** If nut is overtightened the gear housings will be drawn inward and cause the bedknife backing to bind. The bedknife backing must swing freely between gear housings at all times.

5. Assemble all components in reverse order of disassembly. Adjust bedknife.

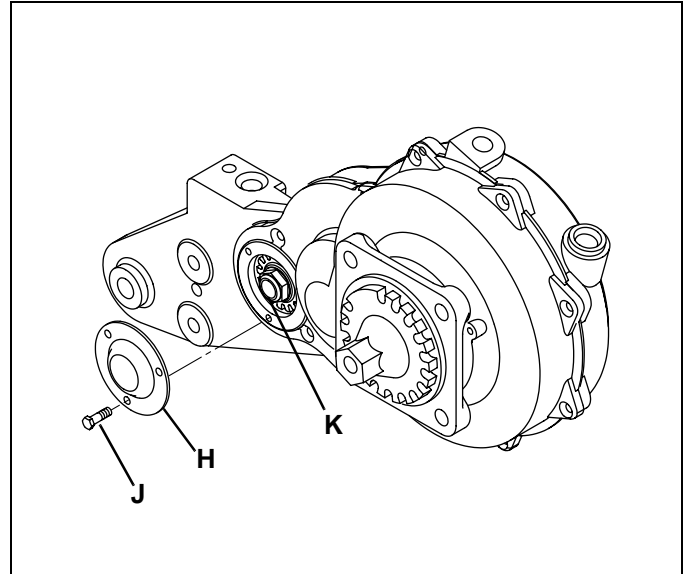


Figure 6B

### 6.5 WHEEL BEARING

1. The bearing nut (**S**) must be adjusted so that there is no end play (too loose) or so tight that it creates drag. Either condition will create wear to the entire gear train.
2. Remove lock screw (**N**) and retaining tab (**M**) from the wheel hub cap (**L**). Remove hub cap.

**NOTE:** The wheel hub (**L**) has been tightened to 300 ft-lb (540 Nm) and will require some force to remove.

3. Remove and discard cotter pin (**P**). Adjust nut (**S**) as required and assemble new cotter pin.
4. Apply a non hardening gasket compound, such as Permatex No. 2, to threads of hub cap (**L**). Assemble to mower and torque to 300 ft lb (540 Nm).
5. Assemble retaining tab (**M**) and screw (**N**).

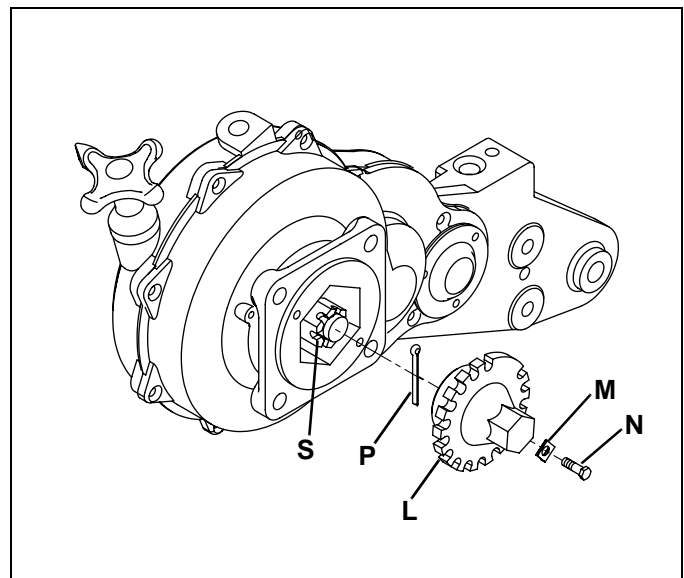


Figure 6C

## 7.1 GENERAL

### WARNING

Before you clean, adjust, or repair this equipment, disengage all drives, engage parking brake, stop engine and remove key from ignition switch to prevent injuries

Make sure the tractor is parked on a solid and level surface. Never work on a tractor that is supported by the jack. Always use jack stands.

1. Adjustment and maintenance should always be performed by a qualified technician. If proper adjustments cannot be made, contact an Authorized Textron Turf Care And Specialty Products Dealer.
2. Inspect the equipment on a regular basis, establish a maintenance schedule and keep detailed records.
  - a. Keep the equipment clean.
- b. Keep all moving parts properly adjusted and lubricated.
- c. Replace worn or damaged parts before operating the machine.
- d. Keep all fluids at their proper levels.
- e. Keep shields in place and all hardware securely fastened.
- f. Keep tires properly inflated.

3. Long hair, jewelry or loose fitting clothing may get tangled in moving parts.
4. Use the illustrations in the Parts Catalog as reference for the disassembly and reassembly of components.
5. Recycle or dispose of all hazardous materials (batteries, fuel, lubricants, anti-freeze, etc.) according to local, state or federal regulations.

## 7.2 BLADE SHARPENING

When it becomes necessary to sharpen either the reel or bedknife by the grinding process, we recommend that the work be performed by an experienced person using the proper grinding equipment.

The reel and bedknife should be checked to determine if backlapping or grinding will restore the proper cutting edge. Refer to the Grinding Instructions Manual available through your Textron Turf Care And Specialty Products Dealer.

**IMPORTANT:** *When lapping the reel, always attach lapping machine to left side reel nut. Do not lap reel from right side of mower.*

1. If wear or damage is beyond the point where the reel or bedknife can be corrected by the lapping process, they must be reground.

We recommend that this work be contracted through an authorized Textron Turf Care And Specialty Products Dealer who has trained personnel and the proper equipment to perform this type of work.

2. The right hand end of the bedknife should have a small bevel (Dub) at all times.

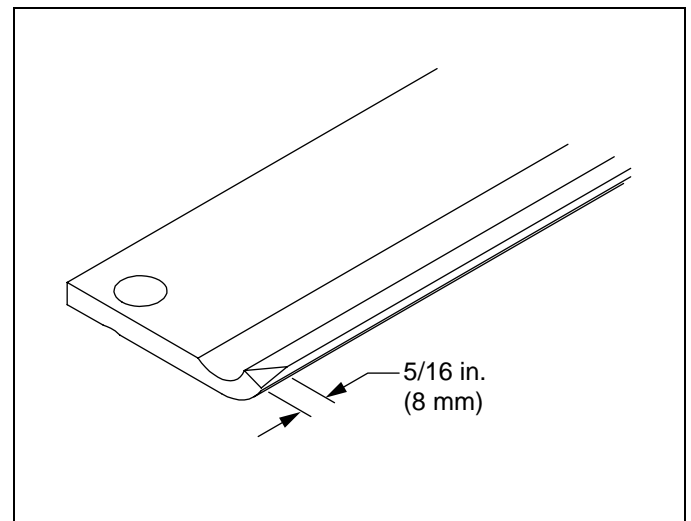


Figure 7A

## 7.3 TIRES

Semi-pneumatic wheels (Product No. 70086) must be mounted on the mower so the “V” tread, points to the rear of the mower when viewed from the top of the mower.

The “Direction Arrows” on the side of the tires should be disregarded.

## 7 MAINTENANCE

---

### 7.4 CARE AND CLEANING

---

Wash the tractor and mower after each use. Keep the equipment clean.

**Note:** Do not wash any portion of the equipment while it is hot. Do not use high pressure spray or steam. Use cold water and automotive cleaners.

1. Use only fresh water for cleaning your equipment.

**Note:** Use of salt water or affluent water has been known to encourage rust and corrosion of metal parts resulting in premature deterioration or failure. Damage of this nature is not covered by the factory warranty.

2. Do not spray water directly at bearing housings and seals.
3. Clean all plastic or rubber trim with a mild soap solution or use commercially available vinyl/rubber cleaners.

Repair damaged metal surfaces and use Textron Turf Care And Specialty Products touch-up paint. Wax the equipment for maximum paint protection.



#### CAUTION

Clean grass and debris from cutting units to prevent fires.



#### WARNING

**NEVER** use your hands to clean cutting units. Use a brush and wear gloves to remove grass clippings from blades. Blades are extremely sharp and can cause serious injuries.

### 7.5 STORAGE

---

#### Cutting Units

1. Wash the cutting units thoroughly, then repair and paint any damaged or exposed metal.
2. Lubricate all fittings and friction points.
3. Backlap the reels then back the reel away from the bedknife. Apply a light coat of rust preventative oil to the sharpened edges of the reel and bedknife.



#### CAUTION

To prevent personal injury and damage to the cutting edges, handle the reel with extreme care

#### After Storage

4. Remove all oil from the reels and bedknife. Adjust bedknife and cutting height.

### 8.1 GENERAL LUBRICATION PRACTICES

Lubrication coupled with cleanliness is the most inexpensive preventative maintenance tool.

1. Always clean the area around grease fittings before and after lubricating.
2. Apply grease with a grease gun and fill slowly until grease begins to seep out. Do not use compressed air guns.
3. For smooth operation of all levers, pivot points and other friction points, apply several drops of SAE 30 oil every 50 hours or as required.

### 8.2 GEAR HOUSINGS

Use one pint (0.473 l) in each gear housing. Insert lubricant through filler plug (B) on top of housings.

To check level, remove plug (C) on gear housing.

### 8.3 WHEELS

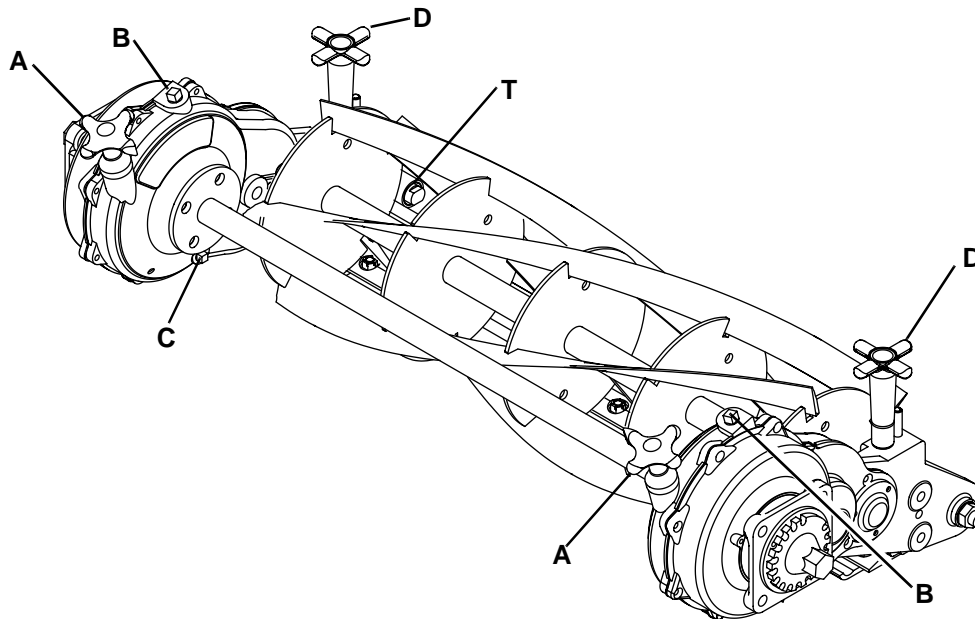
Wheel Bearings and cylinders should be repacked with good quality, fibre base, wheel bearing grease twice each season.

**IMPORTANT:** Before reinstalling the hub cap, apply a non hardening gasket compound, such as Permatex No.2, to the threads.

### 8.4 BEDKNIFE ADJUSTING HANDLE

Remove the plugs in top of handle (D) twice each season and place one teaspoon of any good quality winter grade chassis lubricant into the handles and Replace plugs.

Apply a few drops of light engine oil to each end of bedknife backing journals (T).



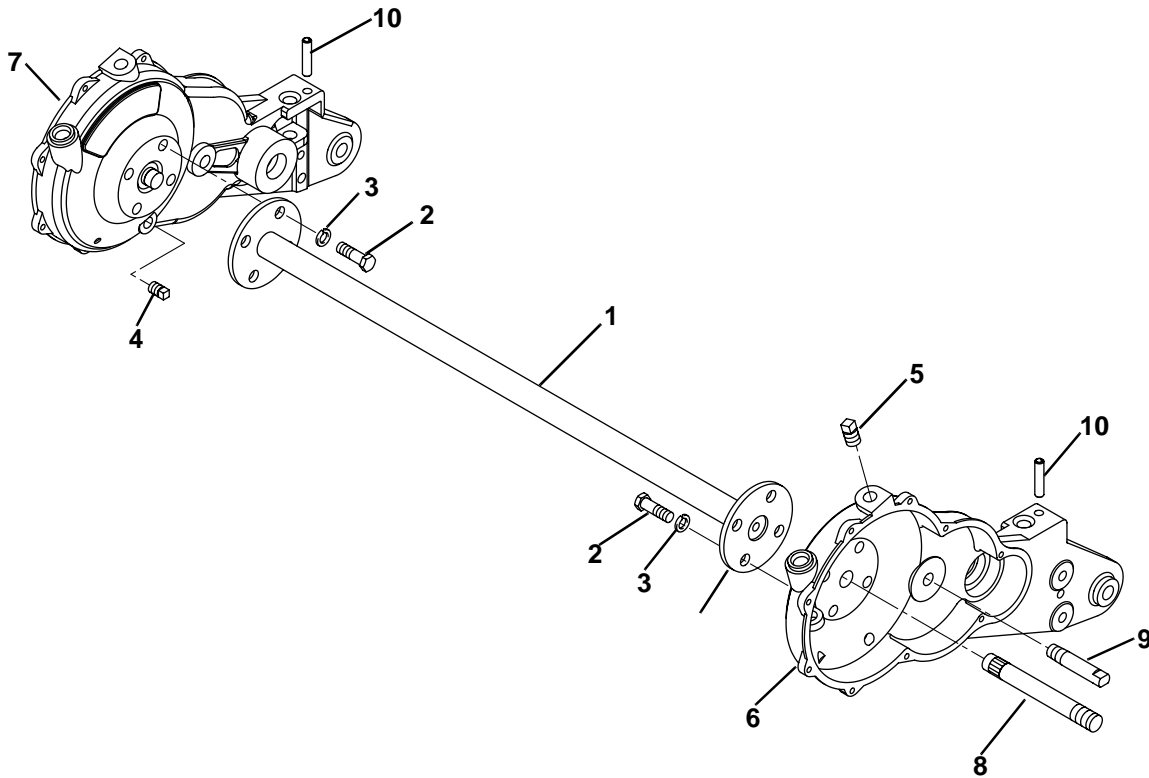




# BLITZER MOWER

Serial No. All

## 1.1 Frame Assembly

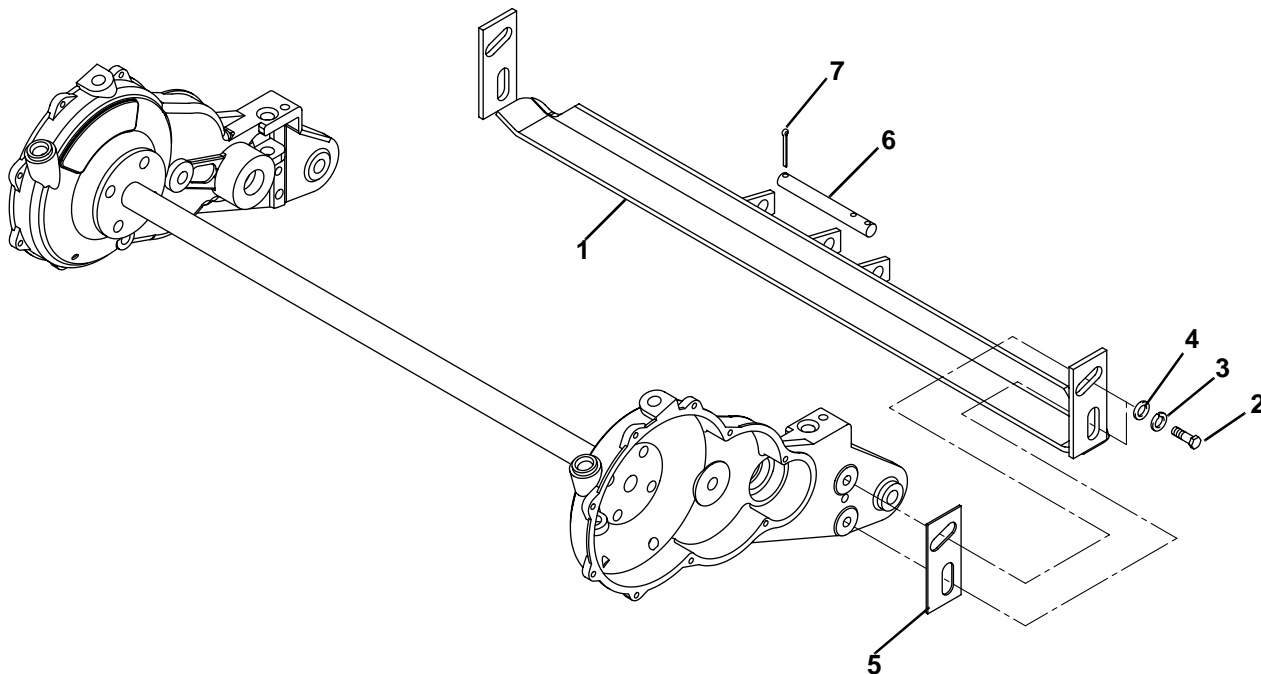


Item	Part No.	Qty.	Description	Serial Numbers/Notes
1	108126	1	Axle, Main	
2	400406	8	Screw, 1/2-13 x 1-1/4" Hex Head	
3	446154	8	Lockwasher, 1/2 Heavy	
4	472203	2	Plug, 1/4 NPT Square Head Level	
5	472205	2	Plug, 3/8 NPT Square Head Filler	
6	109550	1	Housing, Left Side Gear	Includes Items 8 ~ 10
7	109551	1	Housing, Right Side Gear	Includes Items 8 ~ 10
8	545515	1	• Shaft, Wheel Cylinder	
9	315851	1	• Shaft, Intermediate Gear	
10	461406	1	• Roll Pin, 3/8 x 1-3/4"	

> Change from previous revision



## 2.1 Skid



Item	Part No.	Qty.	Description	Serial Numbers/Notes
1	500238	1	Skid	
2	400336	4	Screw, 7/16-14 x 1-1/4" Hex Head	
3	446148	4	Lockwasher, 7/16 Heavy	
4	453013	4	Flat Washer, 7/16	
5	325402	2	Spacer, Skid Mounting	
6	316478	1	Rod, Lever to Skid	
7	460028	2	Cotter Pin, 1/8 x 1"	

> Change from previous revision



# BLITZER MOWER

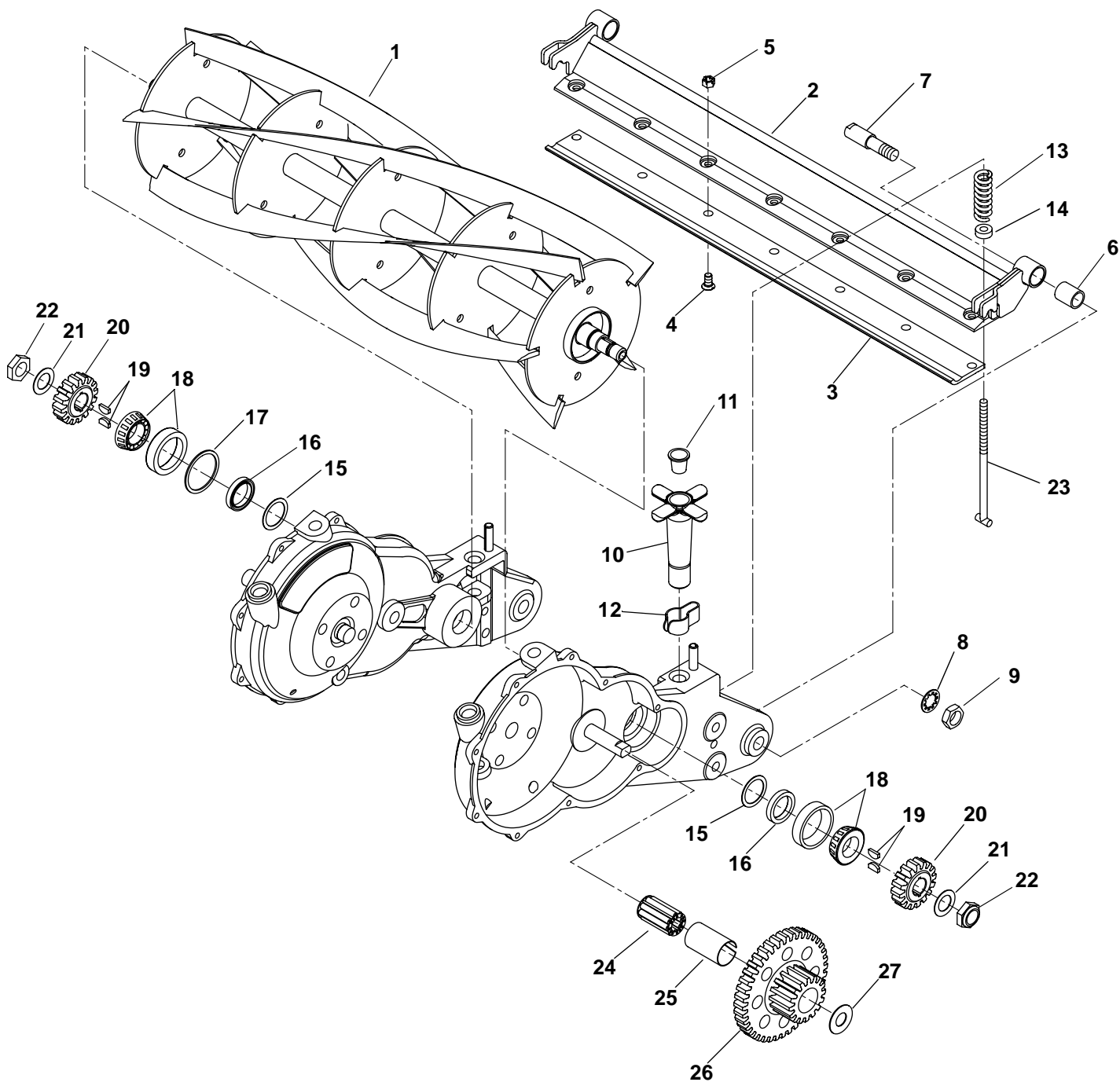
Item	Part No.	Qty.	Description	Serial Numbers/Notes
1	153215	2	Handle, Clutch	
2	241815	2	Fork, Clutch	
3	3003158	1	Spring, Left Side Clutch Handle	
4	3003157	1	Spring, Right Side Clutch Handle	
5	315861	2	Washer	
6	460026	2	Cotter Pin, 1/8 x 3/4"	
7	203975	2	Wheel, Pawl	
8	315867	8	Pin, Pawl	
9	241810	8	Pawl	
10	460012	8	Cotter Pin, 3/32 x 5/8"	
11	500236	2	Wheel Cylinder	
12	500534	2	• Bearing, Cup and Cone	
13	453022	2	Flat Washer, 3/4	
14	445686	2	Nut, 3/4-16 Hex Castle	
15	460028	2	Cotter Pin, 1/8 x 1"	
16	220275	2	Gear, Main Drive	
17	315928	2	Gasket, Housing Cover	
18	203986	2	Cover, Housing	
19	407706	18	Screw, 1/4-20 x 7/8" Oval Head	Includes External Tooth Lockwasher
20	315876	2	Gasket, Reel Bearing Cover	
21	352635	2	Cover, Reel Bearing	
22	408052	10	Screw, #12-24 x 1/2" Hex Head	Includes Internal Tooth Lockwasher
23	315967	2	Seal, Drive Hub	
24	203984	2	Hub, Ground Wheel	
25	204119	2	Cap, Hub	
26	327676	2	Tab, Locking	
27	400106	2	Screw, 1/4-20 x 5/8" Hex Head	

> Change from previous revision

# BLITZER MOWER

Serial No. All

## 4.1 Reel and Bedknife



# BLITZER MOWER

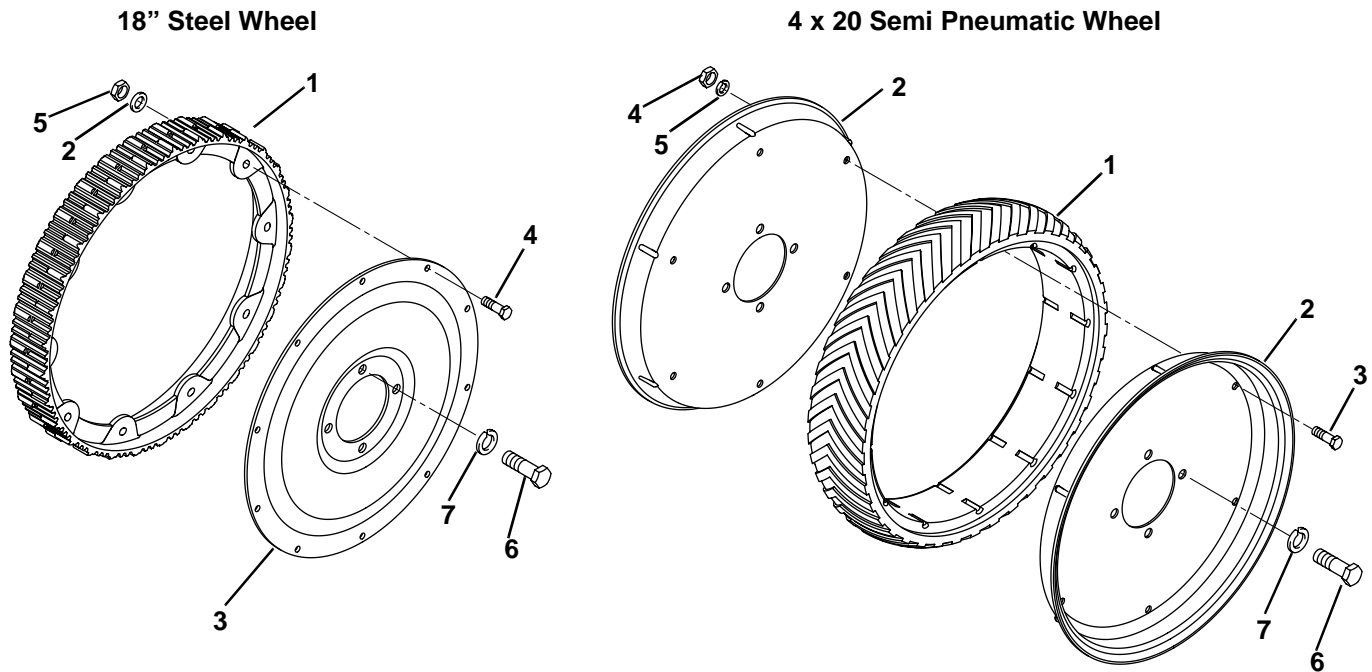
Item	Part No.	Qty.	Description	Serial Numbers/Notes
1	502673	1	Reel, 5 Blade	
2	121768	1	Bedknife Assembly	
3	325163	1	• Bedknife	
4	3007308	7	• Screw, 3/8-24 x 3/4" Flat Head	
5	445684	7	• Nut, 3/8-24 Marsden	
6	315912	2	• Bushing	
7	315909	2	Stud, Bedknife Mounting	
8	447224	2	Washer, 5/8 Shakeproof	
9	443828	2	Nut, 5/8-16 Hex Jam	
10	500548	2	Handle, Bedknife Adjusting	
11	344708	1	• Plug	
12	315964	2	Spring, Friction	
13	315966	2	Spring, Compression	
14	352435	2	Spacer, Bedknife Adjusting	
15	315873	2	Washer, Seal	
16	315872	2	Seal, Grease	
17	315910	1	Spacer	Used on Right Side Only
18	500711	2	Bearing, Cup and Cone	
19	315877	4	Key, Pinion	
20	315843	2	Pinion, Reel	
21	306828	2	Washer, Thrust	
22	367029	2	Locknut, 3/4-16	
23	332516	2	Screw, Bedknife Adjusting	
24	315977	2	Bearing, Roller	
25	315978	2	Sleeve, Roller Bearing	
26	331834	2	Gear, Intermediate	
27	3009548	2	Washer, Thrust	

> Change from previous revision

# BLITZER MOWER

Serial No. All

## 5.1 Drive Wheel Accessories



Item	Part No.	Qty.	Description	Serial Numbers/Notes
	70093	1	18" Steel Wheel Kit	Optional Accessory
1	203987	2	• Rim, 18"	
2	310266	20	• Washer, Rim	
3	315938	2	• Disc, Rim MOUNTING	
4	400226	20	• Screw, 5/16-24 x 1" Hex Head	
5	444754	20	• Locknut, 5/16-24 Center	
6	400436	8	• Screw, 1/2-20 x 7/8" Hex Head	Wheel Mounting Hardware
7	446152	8	• Lockwasher, 1/2	Wheel Mounting Hardware
	70086	1	4 x 20 Semi Pneumatic Wheel Kit	Optional Accessory
1	316482	2	• Wheel	
2	336054	4	• Disc	
3	400258	12	• Screw, 3/8-16 x 3/4" Hex Head	
4	443110	12	• Nut, 3/8-16 Hex	
5	446140	12	• Lockwasher, 3/8	
6	400438	8	• Screw, 1/2-20 x 1" Hex Head	Wheel Mounting Hardware
7	446152	8	• Lockwasher, 1/2	Wheel Mounting Hardware

> Change from previous revision

# **Limited Warranty**

## **1. Warranty**

Textron Turf Care And Specialty Products (TTCSP) warrants only to the original retail purchaser ("Warrantee") that this product shall be free from defects in material and workmanship for a period of one year from the date of the first retail purchase. (90 days if used for rental purposes)

## **2. Items Not Warranted**

TTCSP makes no warranties or representations with respect to repairs performed by anyone other than an Authorized TTCSP Dealer or with respect to, where applicable, engines\*, batteries, tires, and ROPS, which are separately warranted by their respective manufacturers. Routine adjustments or normal wear and maintenance items are not covered by this warranty.

## **3. Conditions Which Will Void Warranty**

- A) The speed of the unit is increased beyond factory specifications or the product is modified in any way which would adversely affect its safety or performance;
- B) The unit is not maintained or serviced in accordance with this publication;
- C) The unit is abused, or is not used in its intended manner.

## **4. Exclusive Remedy**

The warrantee's sole and exclusive remedy for breach of this warranty or any defect or failure of the product, including any remedy provided by applicable federal or state law, statutory or common, is that TTCSP will, at its sole option, repair or replace the product or any defective parts and cover the cost of labor associated with such repair or replacement. Transportation costs are not covered by this warranty.

## **5. How to Obtain Warranty Service**

If warranty repair is necessary, contact an Authorized TTCSP Dealer. All defective parts must be returned to the Dealer and become the property of TTCSP.

## **6. Disclaimer**

- \* *This warranty is made in lieu of all other warranties, implied or express, including any warranty of merchantability or fitness for a particular purpose.*
- \* *TTCSP further disclaims any liability for incidental, direct or consequential damages, to include by not limited to, personal injury or property damage, arising from a breach of this warranty or any other defect or failure of the product to the extent allowed by law.*

No agent, employee or representative of TTCSP, or any other person, has the authority to bind TTCSP to any other affirmation, representation, or warranty concerning the goods sold under this Warranty.

*For further information, call (262) 637-6711 or write:*

### **Textron Turf Care And Specialty Products**

**Warranty Department  
1721 Packard Avenue  
Racine, Wisconsin 53403-2564**

\* *Kubota engines are warranted by TTCSP. All other engines are warranted by their respective manufacturers.*



## World Class Quality, Performance And Support

Equipment from Textron Turf Care And Specialty Products is built to exacting standards ensured by ISO 9001 registration at all our manufacturing locations.

A worldwide dealer network and factory-trained technicians backed by Textron Parts Xpress provide reliable, high-quality product support.



**BOB-CAT BUNTON CUSHMAN JACOBSEN RANSOMES RYAN**

1721 Packard Avenue, Racine, WI 53403-2564  
[www.ttcsp.textron.com](http://www.ttcsp.textron.com)