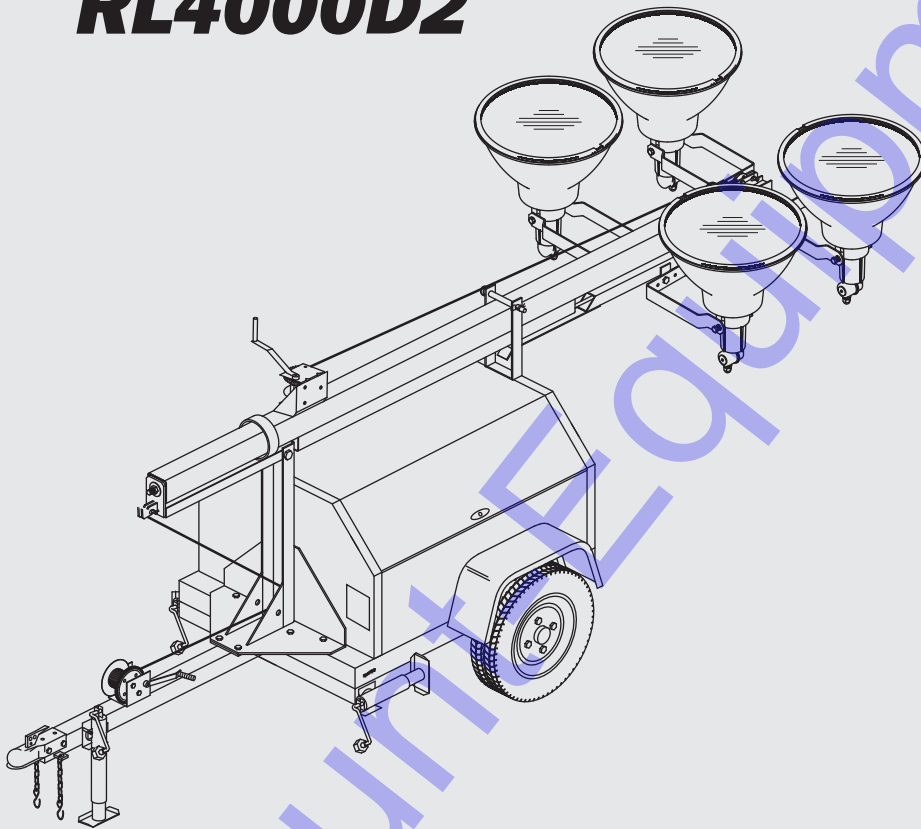




TEREX®

Parts Manual

RL4000D2



First Edition

Rev A

Part No. 116444

September 2008

Introduction

REV A

Important

Read, understand and obey the safety rules and operating instructions in the appropriate Operator's Manual on your machine before attempting any maintenance procedure.

Basic mechanical, hydraulic and electrical skills are required to perform most procedures. However, several procedures require specialized skills, tools, lifting equipment and a suitable workshop. In these instances, we strongly recommend that maintenance and repair be performed at an authorized TEREX dealer service center.

Technical Publications

TEREX Corporation has endeavored to deliver the highest degree of accuracy possible. However, continuous improvement of our products is a TEREX policy. Therefore, product specifications are subject to change without notice.

Readers are encouraged to notify TEREX of errors and send in suggestions for improvement. All communications will be carefully considered for future printings of this and all other manuals.

Serial Number Information

TEREX Corporation offers the following manuals for these models:

Title	Part No.
TEREX RL4000 Operator's Manual First Edition	116417
TEREX RL4000 Service Manual First Edition	116473
TEREX RL4000 Part's Manual First Edition	116444
Leroy Somer Manual	116118
Kubota Engine Manual	893020
Axis Manual	116117
Marathon Manual	116188

Contact Us:

www.TEREX.com

Copyright © 2008 by TEREX Corporation

116444 Rev A September 2008
First Edition, Second Printing

"TEREX" is a registered trademark of TEREX Corporation in the USA and many other countries. "Super Quiet" is a trademark of TEREX Corporation.

 Printed on recycled paper


Printed in U.S.A.

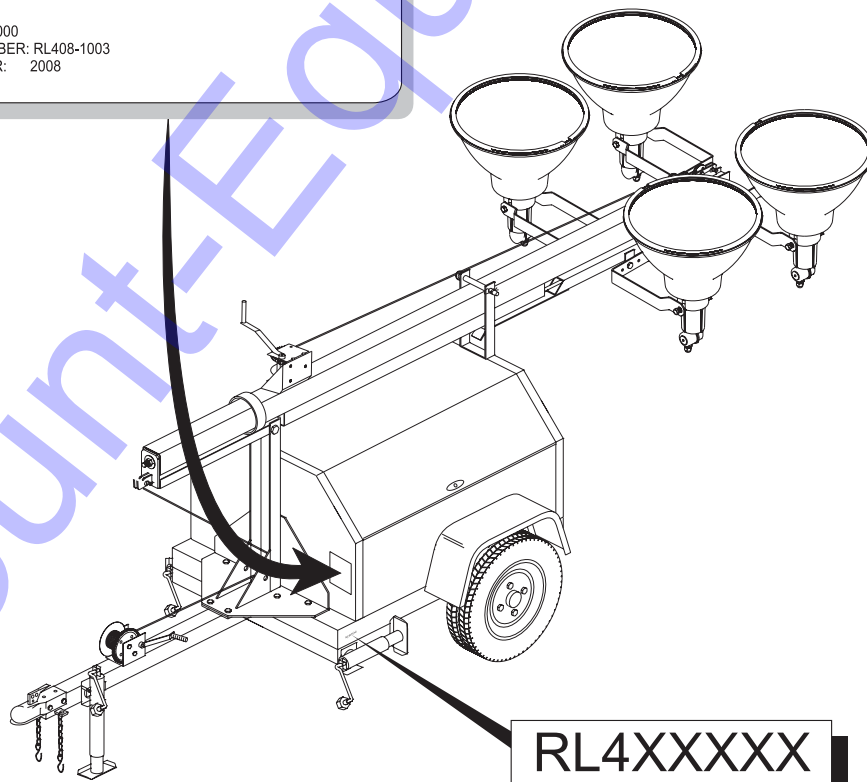
How to Read Your Serial Number

REV A

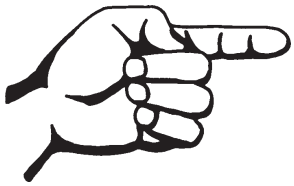
Serial Number Legend

The serial number plate on your RL4000 is located on the cabinet next to the light tower mast.

MANUFACTURED BY/FABRIQUE PAR: TEREX ROCK HILL 590 Huey Road Rock Hill, SC 29732		
DATE: FEBRUARY 2008		
GVWR / PNBV	1,244 KG (2,743 LBS)	
GAWR / PNBE	1,244 KG (2,743 LBS)	
TIRES / PNEU	ST205/75D13 LOAD RANGE C	
RIMS / JANTE	15.0 X 4.5 5H	
COLD TIRES INFL/	35 PSI / 250 KPA	
PRESS,DE GONFL. A FROID 'SINGLE'		
THIS VEHICLE CONFORMS TO ALL APPLICABLE U.S. FEDERAL MOTOR VEHICLE SAFETY STANDARDS IN EFFECT ON THE DATE OF MANUFACTURE SHOWN ABOVE.		
THIS VEHICLE CONFORMS TO ALL APPLICABLE STANDARDS PRESCRIBED UNDER THE CANADIAN MOTOR VEHICLE SAFETY REGULATIONS IN EFFECT ON THE DATE MANUFACTURE/ CE VEHICULE EST CONFORME A TOUTES LES NORMES QUI LUI SONT APPLICABLES EN VERTU DU REGLEMENT SUR LA SECURITE DES VEHICULES AUTOMOBILES DU CANADA EN VIGUEUR A LA DATE DE SA FABRICATION		
TYPE OF VEHICLE / TYPE DE VEHICULE: TRAILER/REMORQUE		
MODEL: RL4000 SERIAL NUMBER: RL408-1003 MODEL YEAR: 2008		



RL4XXXXX
 Serial number is stamped into frame.



This page intentionally left blank.

Discount-Equipment.com



Safety Rules

REV A



Danger

Failure to obey the instructions and safety rules in this manual and the appropriate Operator's Manual on your machine will result in death or serious injury.

Many of the hazards identified in the operator's manual are also safety hazards when maintenance and repair procedures are performed.

Do Not Perform Maintenance Unless:

- You are trained and qualified to perform maintenance on this machine.
- You read, understand and obey:
 - manufacturer's instructions and safety rules
 - employer's safety rules and worksite regulations
 - applicable governmental regulations
- You have the appropriate tools, lifting equipment and a suitable workshop.

SAFETY RULES

REV A

Personal Safety

Any person working on or around a machine must be aware of all known safety hazards. Personal safety and the continued safe operation of the machine should be your top priority.



Read each procedure thoroughly. This manual and the decals on the machine, use signal words to identify the following:



Safety alert symbol—used to alert personnel to potential personal injury hazards. Obey all safety messages that follow this symbol to avoid possible injury or death.

▲ DANGER

Red—used to indicate the presence of an imminently hazardous situation which, if not avoided, will result in death or serious injury.

▲ WARNING

Orange—used to indicate the presence of a potentially hazardous situation which, if not avoided, could result in death or serious injury.

▲ CAUTION

Yellow with safety alert symbol—used to indicate the presence of a potentially hazardous situation which, if not avoided, may cause minor or moderate injury.

CAUTION

Yellow without safety alert symbol—used to indicate the presence of a potentially hazardous situation which, if not avoided, may result in property damage.

NOTICE

Green—used to indicate operation or maintenance information.



Be sure to wear protective eye wear and other protective clothing if the situation warrants it.



Be aware of potential crushing hazards such as moving parts, free swinging or unsecured components when lifting or placing loads. Always wear approved steel-toed shoes.

Workplace Safety



Be sure to keep sparks, flames and lighted tobacco away from flammable and combustible materials like battery gases and engine fuels. Always have an approved fire extinguisher within easy reach.



Be sure that all tools and working areas are properly maintained and ready for use. Keep work surfaces clean and free of debris that could get into machine components and cause damage.



Be sure that your workshop or work area is properly ventilated and well lit.



Be sure any forklift, overhead crane or other lifting or supporting device is fully capable of supporting and stabilizing the weight to be lifted. Use only chains or straps that are in good condition and of ample capacity.



Be sure that fasteners intended for one time use (i.e., cotter pins and self-locking nuts) are not reused. These components may fail if they are used a second time.



Be sure to properly dispose of old oil or other fluids. Use an approved container. Please be environmentally safe .



Table of Contents

REV A

Introduction

Important Information - Introduction	<i>ii</i>
How to Read Your Serial Number	<i>iii</i>
Parts Stocking List	<i>ix</i>
How to Order Parts	<i>xi</i>
Service Parts Fax Order Form	<i>xii</i>

Section 1**Safety Rules**

General Safety Rules	<i>v</i>
----------------------------	----------

Section 100**Rev****Decals**

A	Figure 101.1	Decals	100 - 2
---	--------------	--------------	---------

Section 200**Rev****Chassis Components**

A	Figure 201.1	Light Tower Chassis	200 - 2
A	Figure 202.1	Fuel Tank Assembly	200 - 4

Section 300**Rev****Cabinet Components**

A	Figure 301.1	Cabinet Components	300 - 2
---	--------------	--------------------------	---------

Section 400**Rev****Electrical Components**

A	Figure 401.1	Electrical Control Box	400 - 2
A	Figure 402.1	Ballast Box Assembly	400 - 4
A	Figure 403.1	Light Fixture	400 - 6
A	Figure 404.1	Coil Cord & Junction Box	400 - 8



TABLE OF CONTENTS

REV A

Section 500	Rev	Engine & Generator	
	A	Figure 501.1 Engine - Kubota	500 - 2
	A	Figure 502.1 Marathon Generator - 6 kW	500 - 4
	A	Figure 503.1 Leroy Somer Generator - 6 kW	500 - 6

Section 600	Rev	Mast Components	
	A	Figure 601.1 Tower Assembly	600 - 2

Section 700	Rev	Options	
	A	Figure 701.1 Options	700 - 2



Parts Stocking List

REV A

Required Parts

The following parts are required to perform maintenance procedures as outlined in the *TEREX RL4000 Parts and Service Manual*.

Description	Part No.
Kubota Models	
Oil Filter	866050
Air Filter	866127
Fuel Filter	839200
V-belt	839209



This page intentionally left blank.

Discount-Equipment.com

Discount Equipment

Discount Equipment Rental is your online resource for commercial and industrial quality equipment sales and rentals. We sell worldwide for the brands Genie, Terex, Stihl, JLG, Multiquip, Mayco, Stone, Diamond Products, Airman, Mustang, Power Blanket. We have complete rental locations throughout Florida.

Locations:

West Palm Beach – [561-964-4949](tel:561-964-4949)

Orlando – [407-291-3162](tel:407-291-3162)

Tampa – [813-248-2848](tel:813-248-2848)

Need parts? Check out our website at www.discount-equipment.com

Can't find what you need? Click on this link:

<http://www.discount-equipment.com/category/5443-parts/> and fill out the request form. Make sure you have your machines model and serial number available in order to help us get you the correct parts. One of our experienced staff members will get back to you with a quote for the right part that your machine needs.

Discount Equipment

Discount Equipment Rental is your online resource for commercial and industrial quality equipment sales and rentals. We sell worldwide for the brands Genie, Terex, Stihl, JLG, Multiquip, Mayco, Stone, Diamond Products, Airman, Mustang, Power Blanket. We have complete rental locations throughout Florida.

Locations:

West Palm Beach – [561-964-4949](tel:561-964-4949)

Orlando – [407-291-3162](tel:407-291-3162)

Tampa – [813-248-2848](tel:813-248-2848)

Need parts? Check out our website at www.discount-equipment.com

Can't find what you need? Click on this link:

<http://www.discount-equipment.com/category/5443-parts/> and fill out the request form. Make sure you have your machines model and serial number available in order to help us get you the correct parts. One of our experienced staff members will get back to you with a quote for the right part that your machine needs.

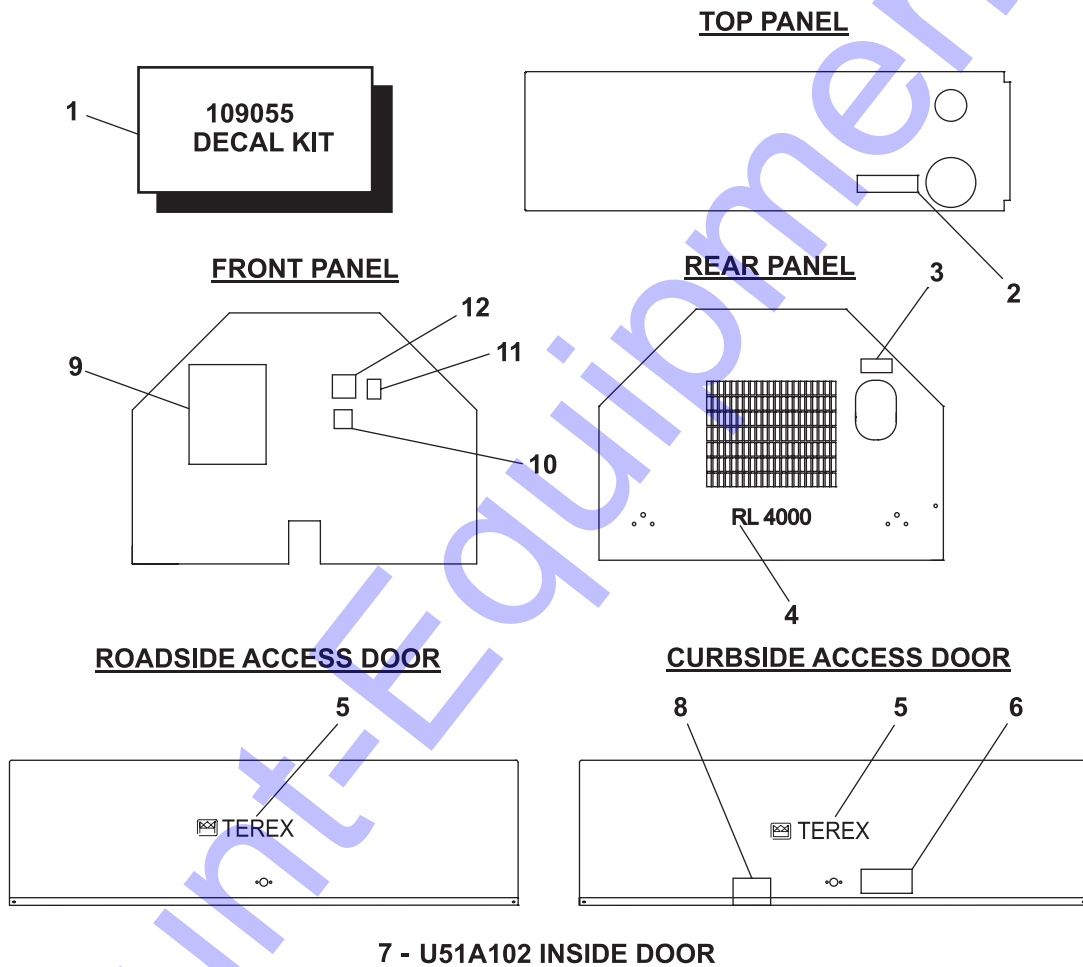


Decals

Figure 101.1

Decals

REV A





REV A

FIGURE 101.1

ITEM #	PARTS #	DESCRIPTION	QTY.
1	109055	KIT: DECALS FOR MODEL 04000RL RITE LITE	1
2	850155	DECAL: DIESEL FUEL ONLY	1
3	CU51A112	DECAL: DANGER HOT EXHAUST	1
4	853316	DECAL:RL4000 W/STRIPE OP/BOTTOM 2.25" TALL	1
5	853792	DECAL: TEREX 4.5"X43"	2
6	CR51A101	DECAL:WARNING-IMPROPER GROUNDING.	1
7	CU51A102	DECAL: NOTICE-NO ETHER	1
8	C52100100	DECAL: CALIF.PROP 65	1
9	CU51A116	DECAL: TEREX POWER MOVING INSTRUCTION	1
10	CU51A111	DECAL: WARNING-BOOM DROP	1
11	CR51A101	DECAL:WARNING-IMPROPER GROUNDING.	1
12	CR51A311	DECAL:WARNING-IMPROPER GROUNDING.	1



This page intentionally left blank.

Discount-Equipment.com

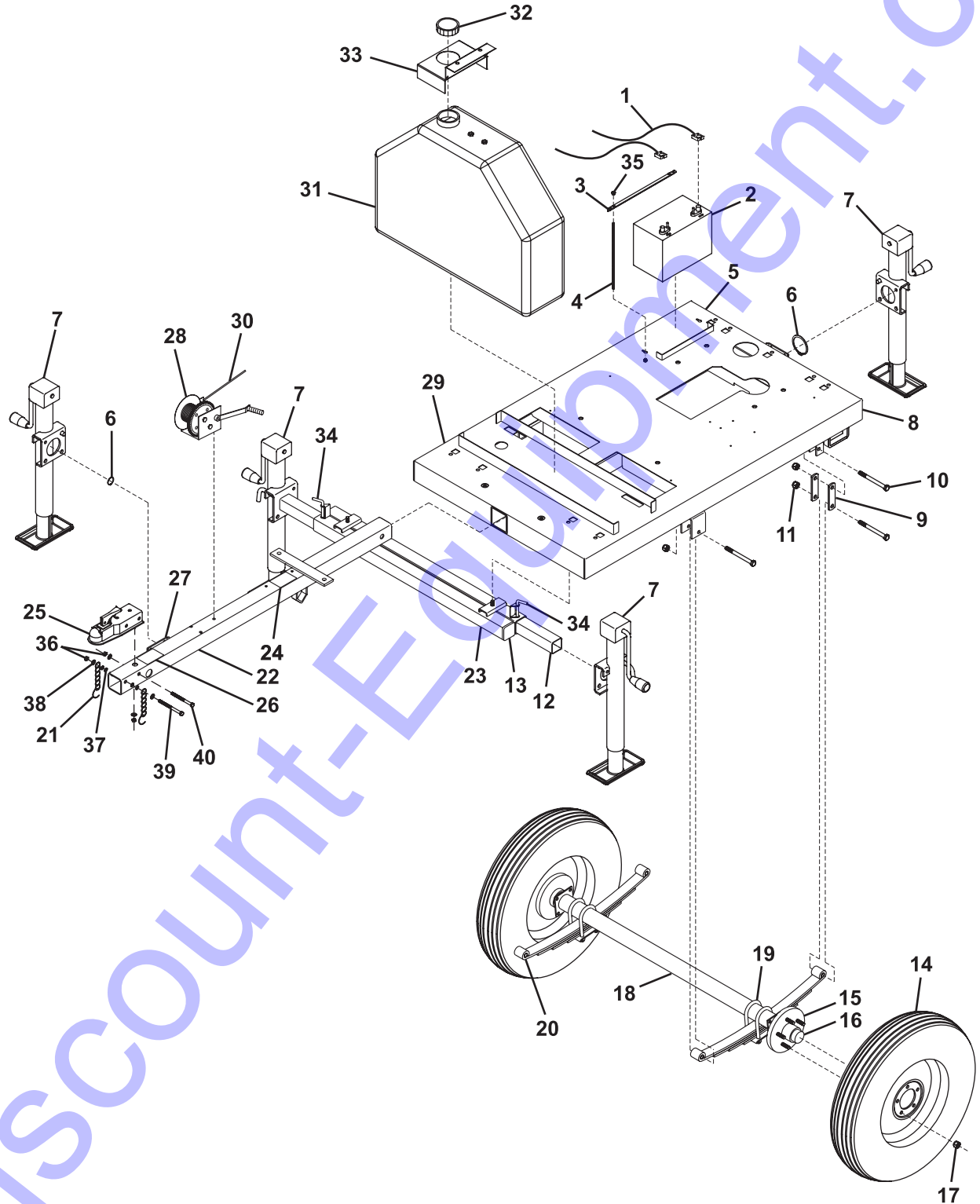


Chassis Components

Figure 201.1

Light Tower Chassis

REV A





REV A

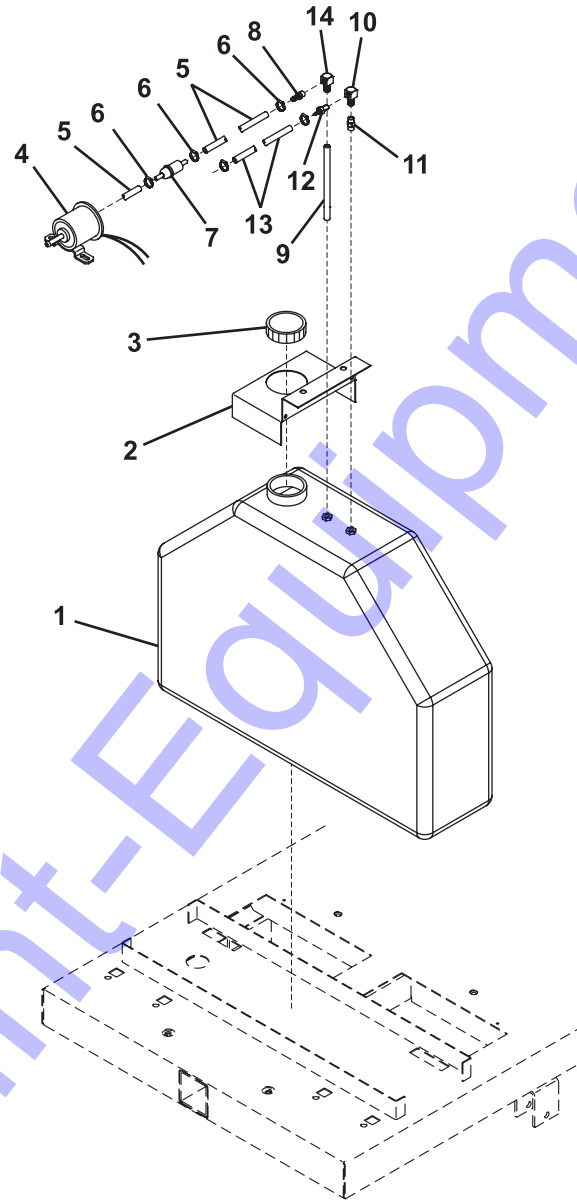
FIGURE 201.1

ITEM #	PART #	DESCRIPTION	QTY.
1	160270	BATTERY CABLE SET 24 4GA MBT TERM P&N R&B	1
2	Z112300	BATTERY WET 12V GR24 460 CCA STD-DUTY L/A	1
3	174170	BATTERY HOLD DOWN	1
4	182330	BATTERY HOLD DOWN ROD 1/4" X 10-1/4"	2
5	851820	DECAL, SYMBOL FOR GROUND	1
6	840222	JACK SNAP RING	4
7	841430	JACK SIDEWIND LONG 3KLB	4
8	CR82C000	TRAILER BASE	1
9	841473	AXLE SHACKLE 4-5/8" LG 2000LB/3500LB	4
10	840394	AXLE SPRING BOLT 2000LB/3500LB	6
11	840395	AXLE SPRING NUT 2000LB/3500LB	6
12	CS62C012	OUTRIGGER LEG	2
13	721051	CAPLUG, TUBE PLUG 2-1/2" X 2-1/2"	2
14	C83100900	TIRE, ST175/80-13 LOAD B W/13" BLACK RIM	2
15	CTR D-111A	HUB W/RACE/BEARINGS/NUTS/STUDS/CAP/WASHER	2
16	C2201-DC	DUST CAP FOR 2000LB AXLE	2
17	840376	AXLE WHEEL NUT 2000LB/3500LB	10
18	C82100600	AXLE 2000LB, 36" SC	1
19	C82200104	U-BOLT, AXLE 2000LB	4
20	C33612	SPRING-LEAF SPRING-2000LB	2
21	111936	CHAIN SAFETY 3000LB 3/8" X 30" W/S-HOOK	2
22	CS82A020	TONGUE, B-O-H W/JACK BRACKET	1
23	CS62A011	OUTRIGGER HOUSING	1
24	CR51A102	DECAL, WARNING ALL OUTRIGGER	1
25	840120	COUPLER, 2", BOLT ON	1
26	851310	DECAL, WARNING ALL JACKS MUST BE SWIVELED	3
27	840221	JACK BRACKET SWIVEL WELD-ON	1
28	C61100200	WINCH, BRAKE, 1500LB W/HANDLE	1
29	930950	WEATHERSTRIP ADHESIVE 1/4" THK X 1/2" WIDE	8FT
30	CU63B054	CABLE, TOWER TILT	1
31	CR21A000	TANK FUEL 30GAL	1
32	C42200220	RL FUEL CAP	1
33	CR59B035	FUEL TANK SUPPORT BRACKET	1
34	51600200	LATCH, OUTRIGGER	2
35	990150	NUT	4
36	990200	NUT, LOCK, NYLON INSERT	2
37	991650	WASHER, LOCK 1/2"	4
38	993860	WASHER, FLAT 1/2"	2
39	994200	SCREW, 1/2-13NC X 5-1/2"	1
40	995310	SCREW, 1/2-13NC X 4"	1

Figure 202.1

Fuel Tank Assembly

REV A

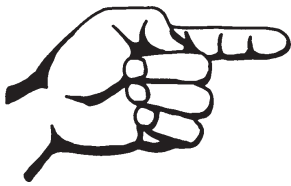




REV A

FIGURE 202.1

ITEM #	PARTS #	DESCRIPTION	QTY.
1	CR21A000	FUEL TANK, 30 GALLON	1
2	CR59B035	BRACKET, FUEL TANK SUPPORT	1
3	C42200220	CAP, FUEL TANK	1
4	660320	FUEL PUMP	1
5	890795	HOSE, FUEL 5/16" X 7FT	1
6	792750	CLAMP, HOSE	5
7	740620	FILTER, IN-LINE FUEL	1
8	898590	FITTING, STRAIGHT TO BARB 5/16"	1
9	C91100300	HOSE, NYLON FUEL	1
10	891520	FITTING, 90 DEGREE ELBOW, RETURN	1
11	891550	ADAPTOR, STRAIGHT	1
12	891560	FITTING, STRAIGHT TO BARB 1/8"	1
13	890785	HOSE, FUEL 1/8"	AR
14	C90200400	FITTING, 90 DEGREE ELBOW, PICKUP	1



This page intentionally left blank.



Cabinet Components

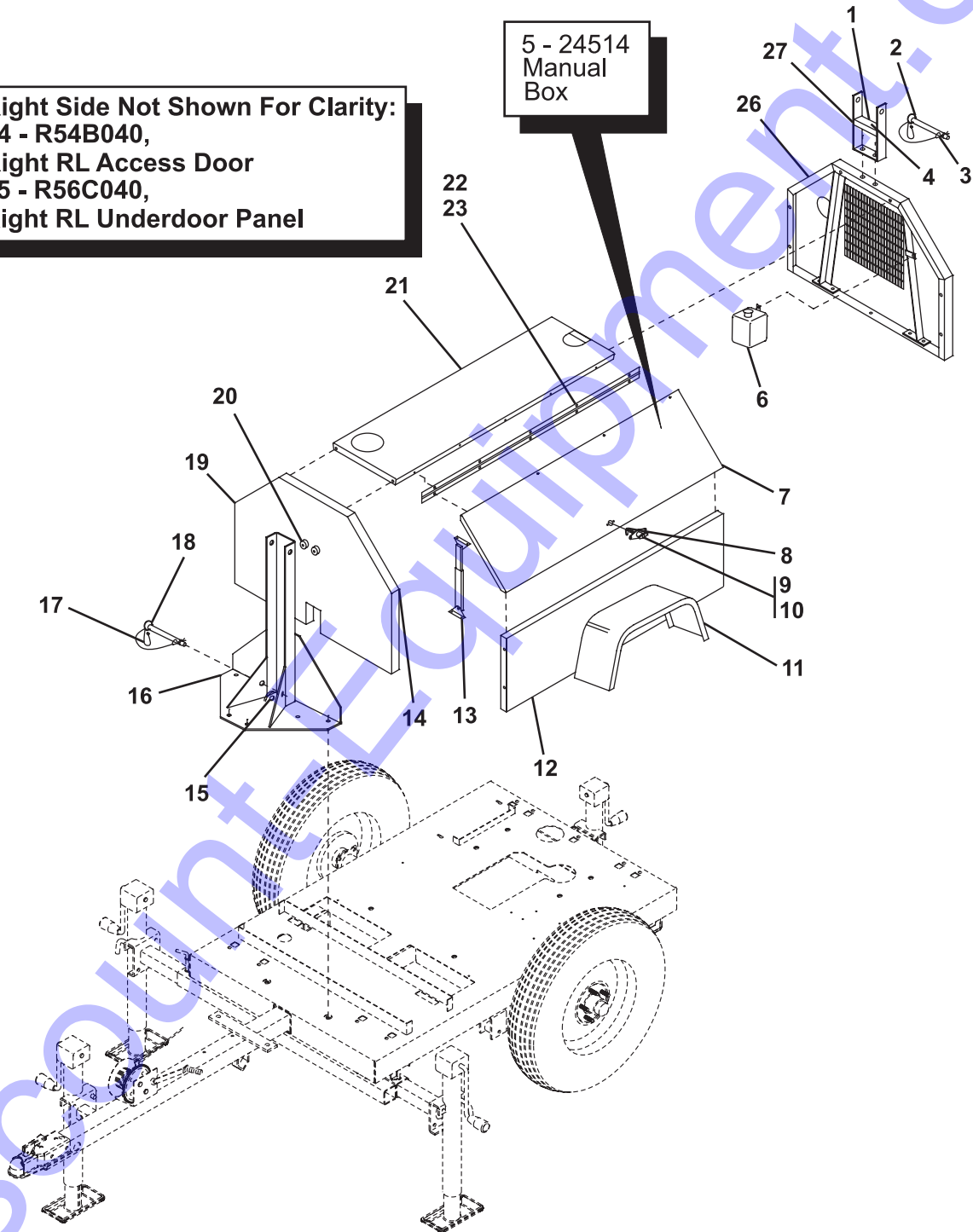
Figure 301.1

Cabinet Components

REV A

Right Side Not Shown For Clarity:
24 - R54B040,
Right RL Access Door
25 - R56C040,
Right RL Underdoor Panel

5 - 24514
Manual
Box

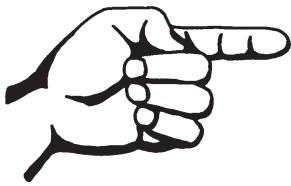




REV A

FIGURE 301.1

ITEM #	PART #	DESCRIPTION	QTY.
1	CU63A040	SUPPORT, PLASTIC, 2HOLE 3.5" X 2.5" X 1"	1
2	C61300501	PIN, 3/4" X 7" ZINC	1
3	C61300502	CLIP, HITCH PIN	1
4	CU51A118	DECAL, PIN WITH ARROW	1
5	24514	LITERATURE BOX BLACK, PLASTIC	1
6	865307	COOLANT RECOVERY TANK	1
7	CR54B050	DOOR, ROADSIDE	1
8	C51100200	CAM, DOOR HANDLE	2
9	C51100300	T-HANDLE, BLACK W/ KEYS	2
10	C42200203	DOOR HANDLE KEYS	2
11	C83400100	FENDER	2
12	CR56C050	CABINET, UNDERDOOR PANEL RS	1
13	C51500200	PROP DOOR 10" TELESCOPIC	2
14	930950	WEATHERSTRIP ADHESIVE 1/4" THK X 1/2" WIDE	14FT
15	C61400100	PULLEY, 3"	1
16	CS63C080	TOWER BASE	1
17	C61300502	CLIP, HITCH PIN	1
18	C61300501	PIN, 3/4" X 7"	1
19	CR58C011	CABINET, FRONT PANEL	1
20	C51400301	CUSHION	2
21	CR59C010	PANEL, TOP	1
22	796610	HINGE PIANO 1.5" X 51.75"	2
23	990670	RIVET POP 3/16" X 1/2"	36
24	CR54B040	DOOR, CURBSIDE	1
25	CR56C040	CABINET, UNDERDOOR PANEL CS	1
26	116215	CABINET, REAR PANEL	1
27	CR63A040	REAR TOWER SUPPORT	1



This page intentionally left blank.



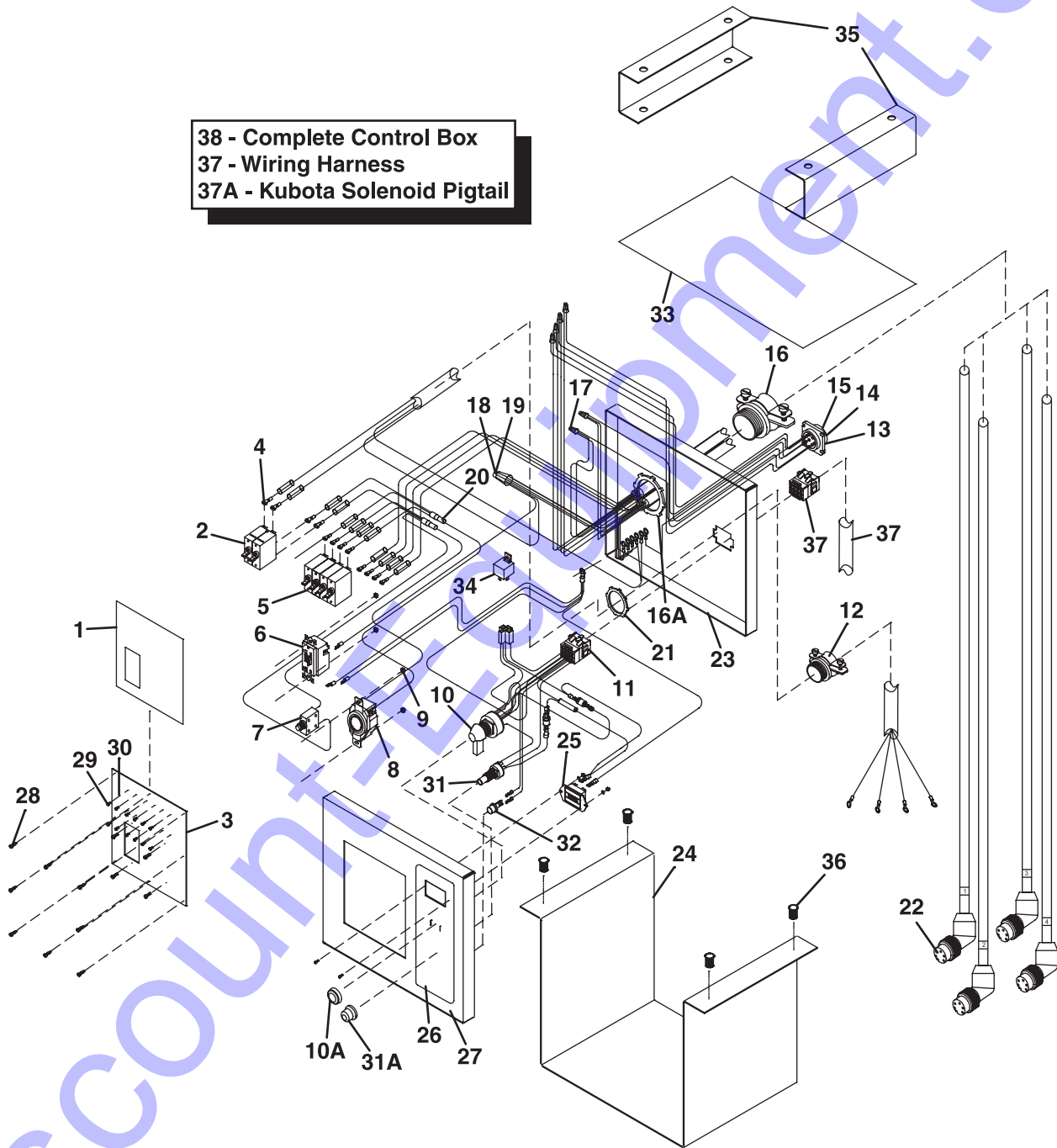
Electrical Components

Figure 401.1

Electrical Control Box

REV A

38 - Complete Control Box
37 - Wiring Harness
37A - Kubota Solenoid Pigtail





REV A

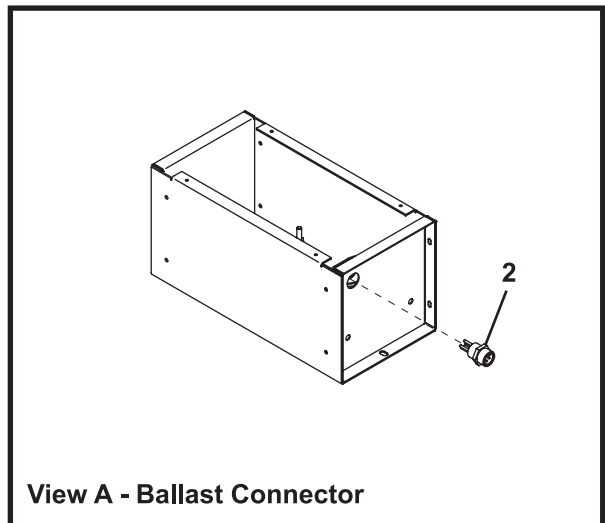
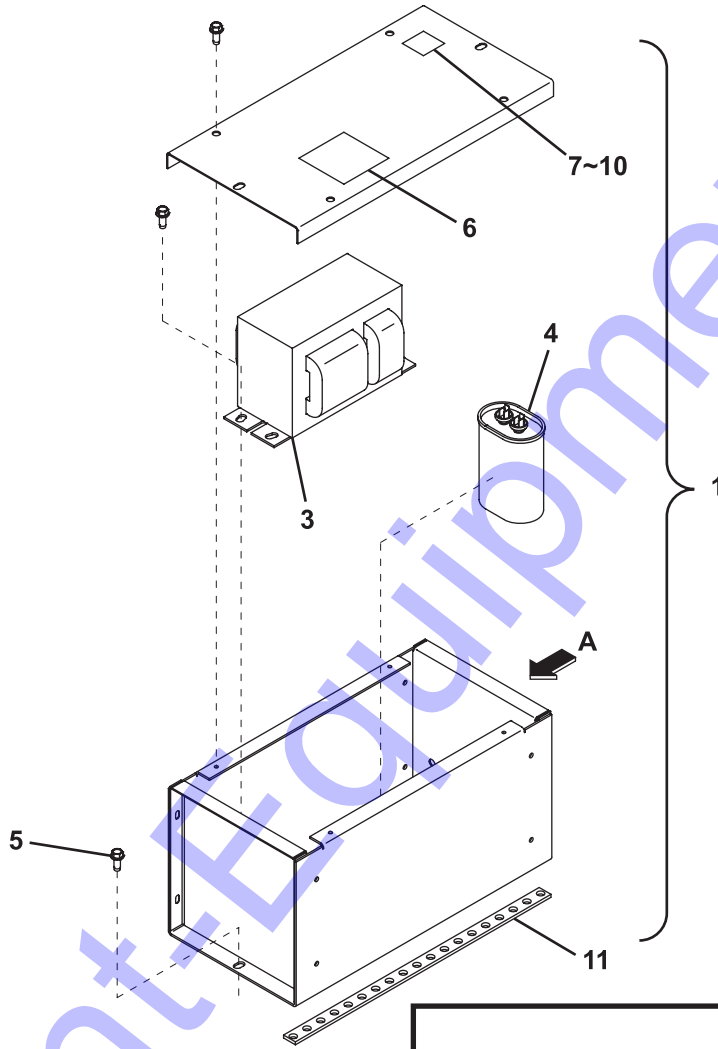
FIGURE 401.1

ITEM #	PART #	DESCRIPTION	QTY.
1	853294	DECAL: AL/RL CONTROL BOX AC "POWER & LIGHT"	1
2	683680	BREAKER 2P 30A 240V	1
3	186546	CONTROL BOX,FACE PLATE	1
4	709133	TERMINAL,RING	2
5	683870	BREAKER 1P 15A 277VAC	4
6	684640	RECEPTACLE 20A 120V DUPLEX W/GFI	1
7	683970	BREAKER MINI 1P 20A	1
8	684450	RECEPTACLE 30A 240V	1
9	C54100600	NUT, NYLOCK, 8-32 ZINC	5
10	684380	SWITCH, IGNITION LEVER OPERATED	1
10A		included with item 10	
11	116815	WIRE HARNESS,DC ENGINE	1
12	680030	CONNECTOR,2 SCREW,3/4"	1
13	685672	CONNECTOR 9P,FEMALE	1
14	685674	SOCKETS, FEMALE	9
15	800003	CONNECTOR WITH WIRES (includes 13 and 14)	1
16	686220	CONNECTOR,2 SCREW,1.25	1
16A		included with item 16	
17	709032	TERMINAL,CLOSED END	2
18	680060	WRAP CAP	1
19	680290	CRIMP SLEEVE	1
20	116770	WIRE HARNESS	1
21	680250	LOCKNUT, CONDUIT 3/4"	1
22	663890	CORD SET FEMALE 6FT 5P	4
23	186542	CONTROL BOX,REAR PANEL	1
24	186540	CONTROL BOX BODY	1
25	260361	HOURMETER, DIGITAL	1
26	853289	DECAL: AL/RL CONTROL BOX DC "ENGINE CONTROLS"	1
27	186544	CONTROL BOX,FRONT PANEL	1
28	996340	SCREW,#10-16X3/4 PH ZP	12
29	995300	SCREW,#6-32X1/4 PAN HD	12
30	994420	WASHER,LOCK,#6	12
31	R660010	SWITCH PUSH-BUTTON	1
31A		included with item 31	
32	682715	LIGHT INDICATOR 12V RED	1
33	186543	CONTROL BOX, TOP PANEL	1
34	R661490	RELAY 12V DC 30A	1
35	116121	BRACKET, E-BOX HANGER	2
36	993310	NUTSERT,1/4-20UNC	8
37	116820	WIRING HARNESS, FROM ENGINE	1
37A	800004	KUBOTA SOLENOID PIGTAIL	1
38	116805	COMPLETE ELECTRICAL CONTROL BOX, includes 1-36	1

Figure 402.1

Ballast Box Assembly

REV A





REV A

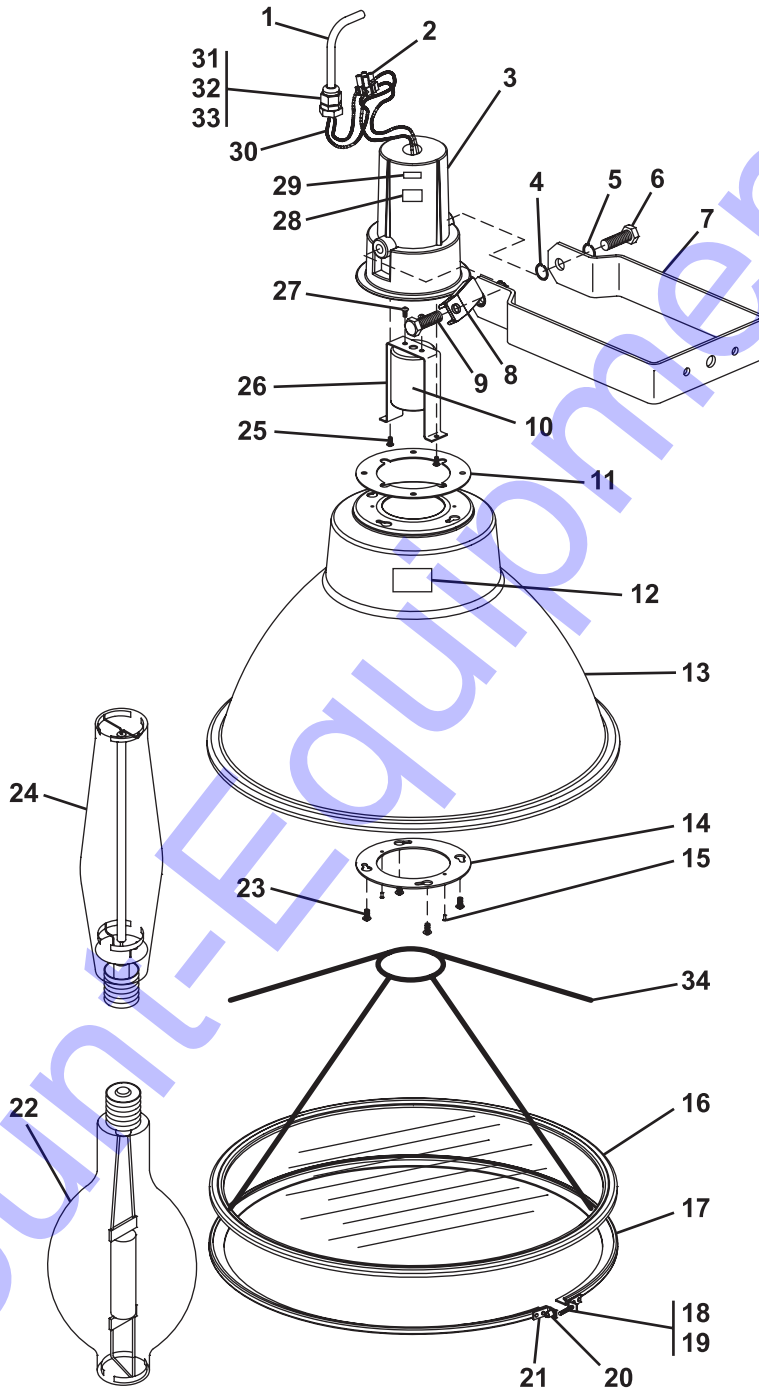
FIGURE 402.1

ITEM #	PART #	DESCRIPTION	QTY.
1	114355	BALLAST BOX, MH	1
2	663860	CONNECTOR, 5P, MALE	1
3	160030	MH TRANSFORMER AND CAPACITOR	1
4	160032	CAPACITOR, 24uF, MH, 60Hz, 480V	1
5	995490	SCREW, 1/4-20NC X 5/8	8
6	850130	DECAL: DANGER HIGH VOLTAGE	1
7	851691	DECAL: 1	1
8	851692	DECAL: 2	1
9	851693	DECAL: 3	1
10	851694	DECAL: 4	1
11	189346	SPACER	4

Figure 403.1

Light Fixture

REV A



NOTE:
FOR COMPLETE MH ASSEMBLY
ORDER PART# C41100720



REV A

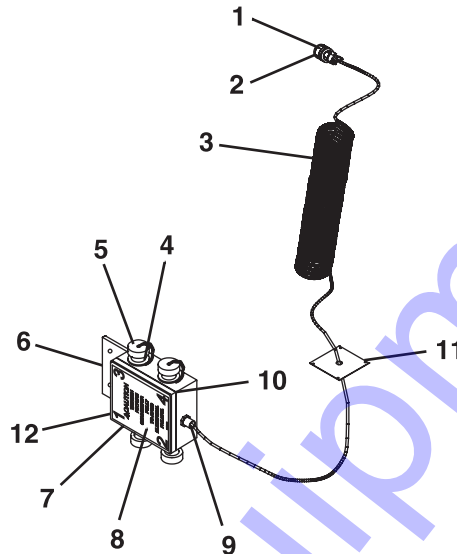
FIGURE 403.1

ITEM #	PART #	DESCRIPTION	QTY.
1	663850	CORD SET MALE 5FT. 3P	1
2	709034	TERMINAL STRIP, 2P	2
3	833567	CASTING FOR NEW FIXTURE	1
4	995970	WASHER LOCK STAR 1/2	2
5	991650	WASHER LOCK 1/2	2
6	990810	SCREW 1/2-13NCX1-1/2 HHC GR 2 ZP	2
7	833566	TRUNION	1
8	833573	T-HANDLE	1
9	981640	SCREW 1/2-13NCX1-1/4 HHC GRADE 5	1
10	833564	SOCKET BASE-MOGUL	1
11	833569	GASKET FOR REFLECTOR	1
12	833585	LABEL, FIXTURE CSA APPROVED	1
13	833568	REFLECTOR	1
14	833570	RING,REINFORCING FOR REFLECTOR	1
15	990675	RIVET POP 1/8X.390 GR-1/4-5/16	2
16	833524	LENS W/ GASKET	1
17	833543	CLAMP;LENS TO REFLECTOR	1
18	833574	SCREW,8-32X1" HH SLOT	1
19	833581	WASHER, FIBER FOR BAND	1
20	833578	NUTSERT FOR BAND,8-32 X 1/4	1
21	NPN	included with item 17	1
22	160071	LAMP MH 1000W	1
23	833571	SCREW,10-24X5/8	4
24	160140	LAMP HPS 1000W	1
25	833565	SCREW 8-32X3/8 PH	2
26	833563	SOCKET BRACKET	1
27	833577	SCREW,8-32X5/8	2
28	833584	LABEL,105C CORD RATING	1
29	833583	LABEL,WET LOCATION	1
30	833582	FIBERGLASS WIRE SLEEVE	1
31	683950	GASKET 1/2 S/R CONN	1
32	680020	LOCKNUT CONDUIT 1/2	1
33	682470	CONNECTOR STRAINRELIEF	1
34	22120102	LAMP SUPPORT	1
35	C41100720	COMPLETE FIXTURE ASSEMBLY (includes items 1-34)	1

Figure 404.1

Coil Cord & Junction Box

REV A



**13 - Junction Box,
 Complete with Coil Cord
 Includes items 1 - 12.**
**14 - Coil Cord Assembly
 Includes items 1, 2 & 3.**

ITEM #	PART #	DESCRIPTION	QTY.
1	685674	SOCKET	9
2	685671	CONNECTOR 9P, PLUG	1
3	660287	COIL CORD, RETRACT, 14/7	1
4	663870	CONNECTOR, 3P, FEMALE	4
5	663880	DUST CAP W/CHAIN	4
6	C48300108	JUNCTION BOX	1
7	680190	BOX COVER, 2GANG W/GASKET	1
8	852800	DECAL: CAUTION TIGHTEN FIXTURE CONNECTOR	1
9	680080	GRIP, HUBBLE	1
10	720440	WEATHERSTRIP ADHESIVE	AR
11	186280	PLATE, COIL CORD, CABINET MOUNT	1
12	994380	SCREW, #6-32 X 5/8", RD HD, SLOT, S/S	4
13	22112580	JUNCTION BOX, COMPLETE WITH COIL CORD includes 1-12	1
14	22112575	COIL CORD ASSEMBLY includes 1, 2 and 3	1

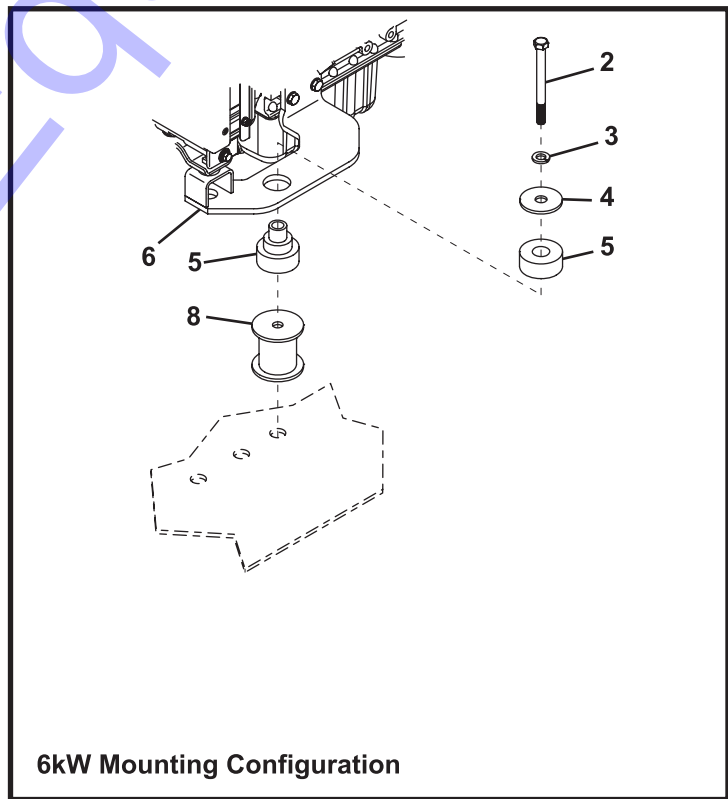
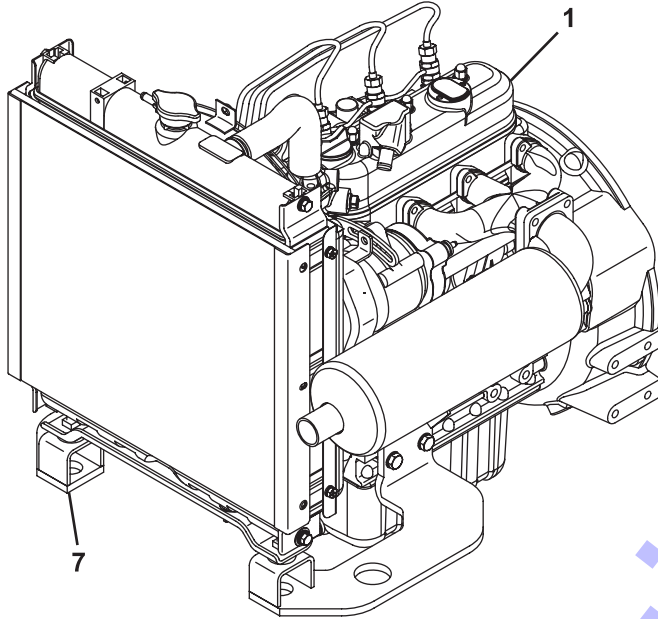


Engine & Generator

Figure 501.1

Engine- Kubota D1105

REV A





REV A

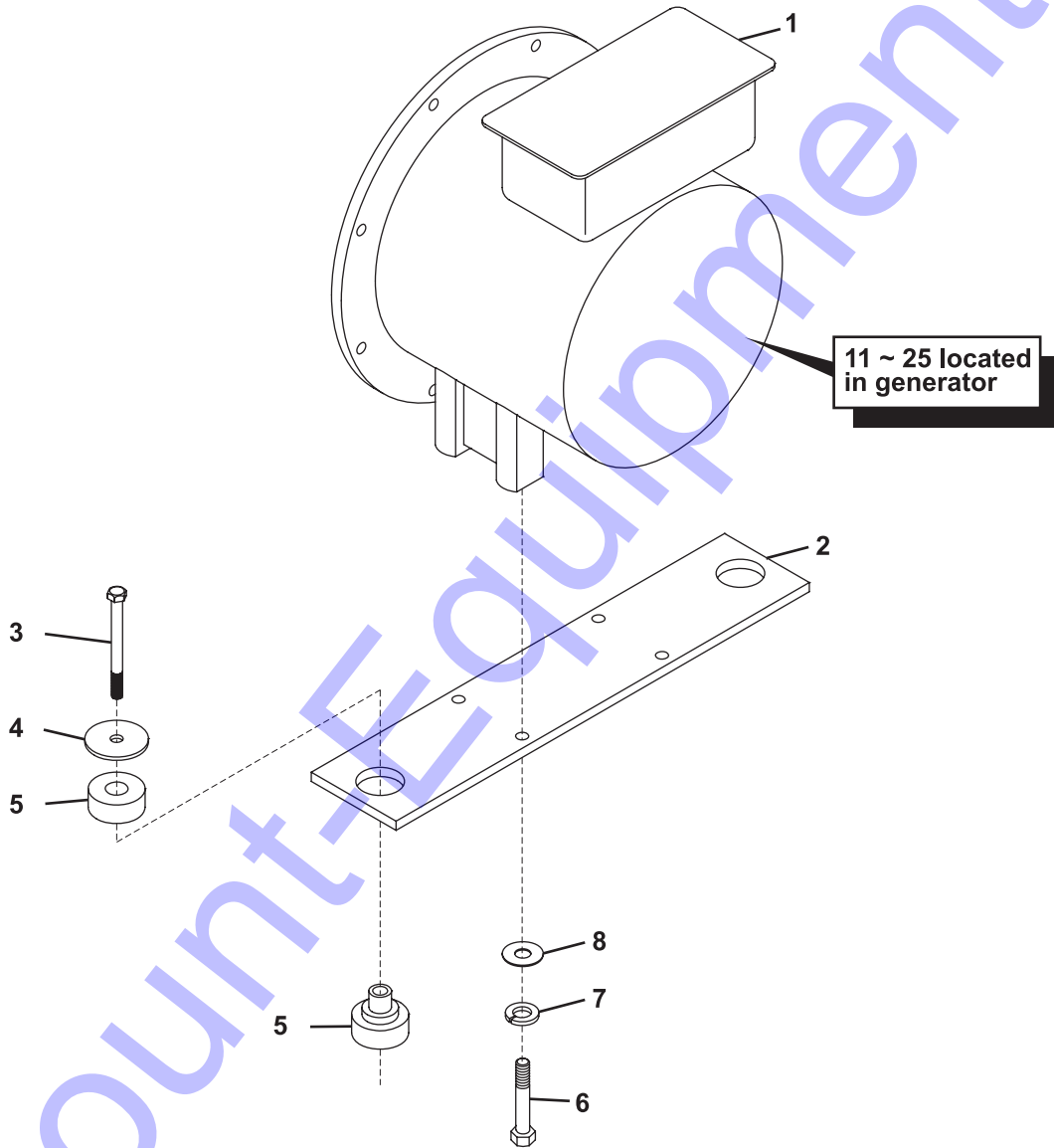
FIGURE 501.1

ITEM #	PART #	DESCRIPTION	QTY.
1	732205PP	KUBOTA D1105 ENGINE, POWERPACK, BUILD EBG2	1
2	995380	SCREW, 1/2-13NC X 4HHC, GR 2, ZP	2
3	991650	WASHER, LOCK 1/2"	2
4	990415	WASHER, FLAT, SNUBBER, 1/2 X 2-3/4", ZP	2
5	80379	VIBRATION MOUNT, 40 DUROMETER	2
6	124016	ENGINE MOUNT, L-BRACKET - CURBSIDE	1
7	124017	ENGINE MOUNT, L-BRACKET - ROADSIDE	1
8	124025	GENSET RISER, 6KW ONLY	2
	839190	LOW OIL PRESSURE SWITCH	1
	741140	HIGH TEMPERATURE SWITCH	1
	866125	AIR CLEANER ASSEMBLY	1
	866126	AIR CLEANER BODY	1
	866127	AIR CLEANER ELEMENT	1
	866128	AIR CLEANER COVER	1
	866129	AIR CLEANER VALVE	1
	866050	OIL FILTER	1
	740620	FUEL FILTER, IN-LINE, 5/16	1
	839107	FUEL FILTER ASSEMBLY	1
	839200	FUEL FILTER ELEMENT	1
	660320	FUEL PUMP	1
	866101	STARTER	1
	866090	ALTERNATOR	1
	866044	2 WIRE STOP SOLENOID	1
	866040	GASKET, SOLENOID	1
	839209	V-BELT	1
	839261	WATER PUMP	1
	839134	FAN, PUSHER	1
	866113	FAN GUARD	1
	839154	OIL DIPSTICK	1
	865276	MUFFLER, D1105	1
	190150	SPACER, MUFFLER	2
	832128	MUFFLER GASKET	3
	996330	SCREW, M8 X 1.25 X 45MM, HHC, ZP, MUFFLER	4
	990460	WASHER, LOCK, 5/16, MUFFLER	4
	125395	MUFFLER TAILPIPE, D1105	1
	741970	OIL DRAIN VALVE	1
	792750	CLAMP 7/16 TO 25/32	1
	897110	HOSE, OIL, 3/8, 0-250PSI	3
	866110	RADIATOR	1
	866120	CAP FOR RADIATOR	1
	839109	HOSE, TOP	1
	839110	HOSE, BOTTOM	1
	865307	COOLANT RECOVERY TANK	1
	893020	OPERATION MANUAL D1105	1

Figure 502.1

Marathon Generator - 6 kW - 201CSA5411

REV A





REV A

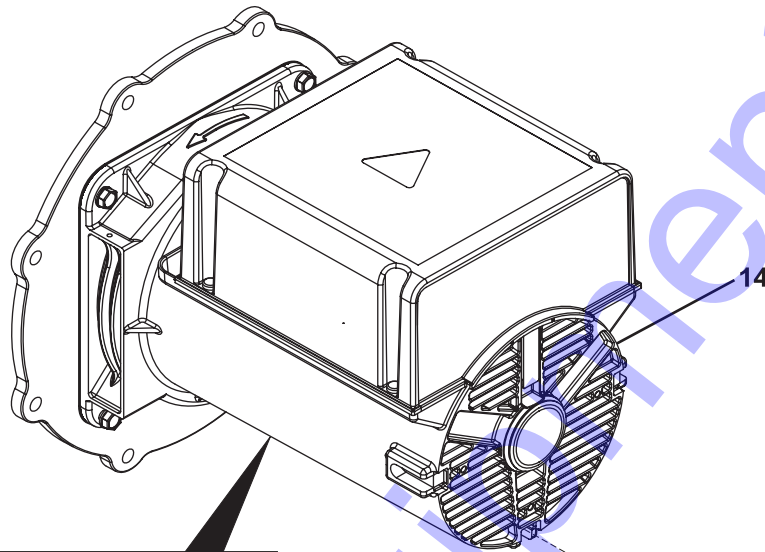
FIGURE 502.1

ITEM #	PART #	DESCRIPTION	QTY.
1	85206	GENERATOR, MARATHON, PANCAKE, 6KW	1
2	189347	GENERATOR MOUNT BRACKET	1
3	990220	SCREW, 1/2-13NC X 3-1/2 HHC, GR 2, ZP	2
4	990415	WASHER, FLAT SNUBBER, 1/2 X 2-3/4 X 7GA, ZINC	2
5	80379	ISOLATOR, ENGINE MOUNT, 40 DURO	2
6	991761	SCREW, 3/8-16NC X 1-1/4 HHC, GRADE 5, ZP	4
7	990470	WASHER, LOCK, 3/8	4
8	981120	WASHER, FLAT, 3/8	4
	116167	FAN, 8LHD435044	1
	116168	BEARING, ODE, A-90006R-30	1
	116169	BEARING, BRACKET, ODE(5412), 8LHD013096	1
	116172	O-RING, 8LHD766012	1
	116174	POT COVER, 8LHD310316	1
	116176	SCREEN ASY W/SPGS, 8LHD336030	1
	116177	DRIVE DISC (C-107), 702326-01	1
	116178	HUB SPACER, 725334-01	1
	116179	CONN. BOX BASE, 8LHD354045	1
	116182	CONN. BOX COVER, 8LHD354044	1
	116183	CAPACITOR 25MF, 8LHD5990012	1
	116184	CLAMP, CAPACITOR, 8LHD086034	1
	116187	TERMINAL BLOCK, TS-6005	1
	836853	DIODE	1
	836856	SURGE PROTECTOR, SUPPRESSOR/VARISITOR	1
	116188	MANUAL, MARATHON PANCAKE GENERATOR	1

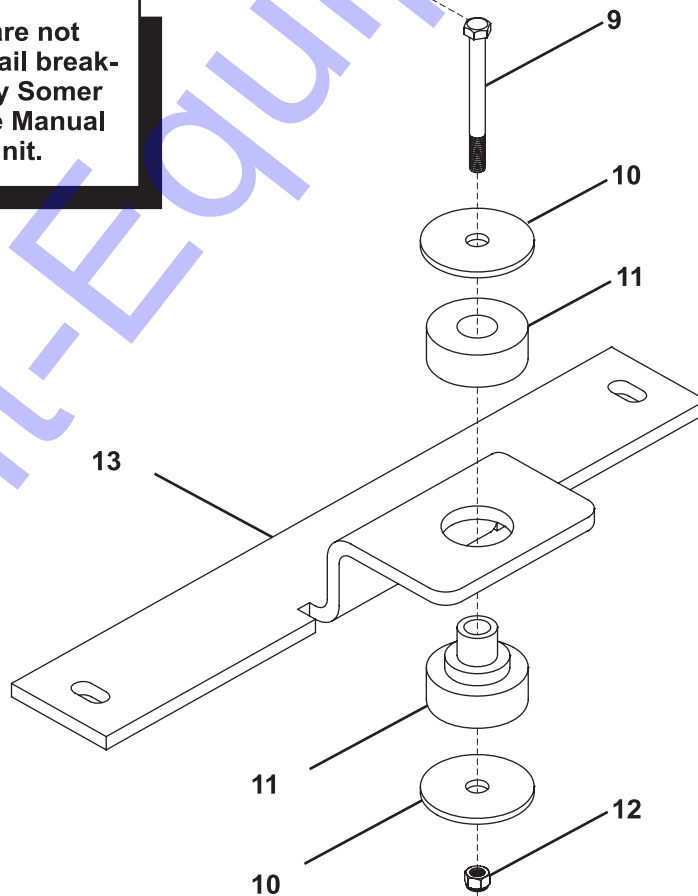
Figure 503.1

Leroy Somer Generator - 6 kW - LSA 36, M6

REV A



Items 1 thru 8 are not shown. For detail break-down see Leroy Somer Parts & Service Manual supplied with unit.

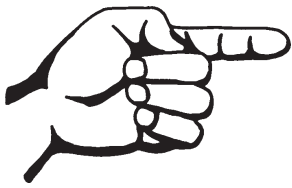




REV A

FIGURE 503.1

ITEM #	PART #	DESCRIPTION	QTY.
1	836704	NDE BEARING	1
2	836705	DIODE KIT (includes 2 diodes)	1
3	836706	ROTOR BOLT (8 X 245)	1
4	836707	TOP COVER	1
5	836708	END CAP	1
6	836709	FAN	1
7	836710	TERMINAL BLOCK	1
8	836711	KIT: CAPACITOR, 22.5mf, (Includes two capacitors)	2
9	996290	SCREW, M10X1.5X90MM HHC, GRADE 8.8, ZP	1
10	990415	WASHER, FLAT SNUBBER	2
11	740925	VIBRATION MOUNT, 30 DUR	3
12	996496	NUT LOCK NYLON INSERT M10 X 1.5 HEX ZP	1
13	189344	GENERATOR MOUNT BAR	1
14	630905	GENERATOR L-S 6KW 120/240 C106 SAE5 LSA36	1



This page intentionally left blank.

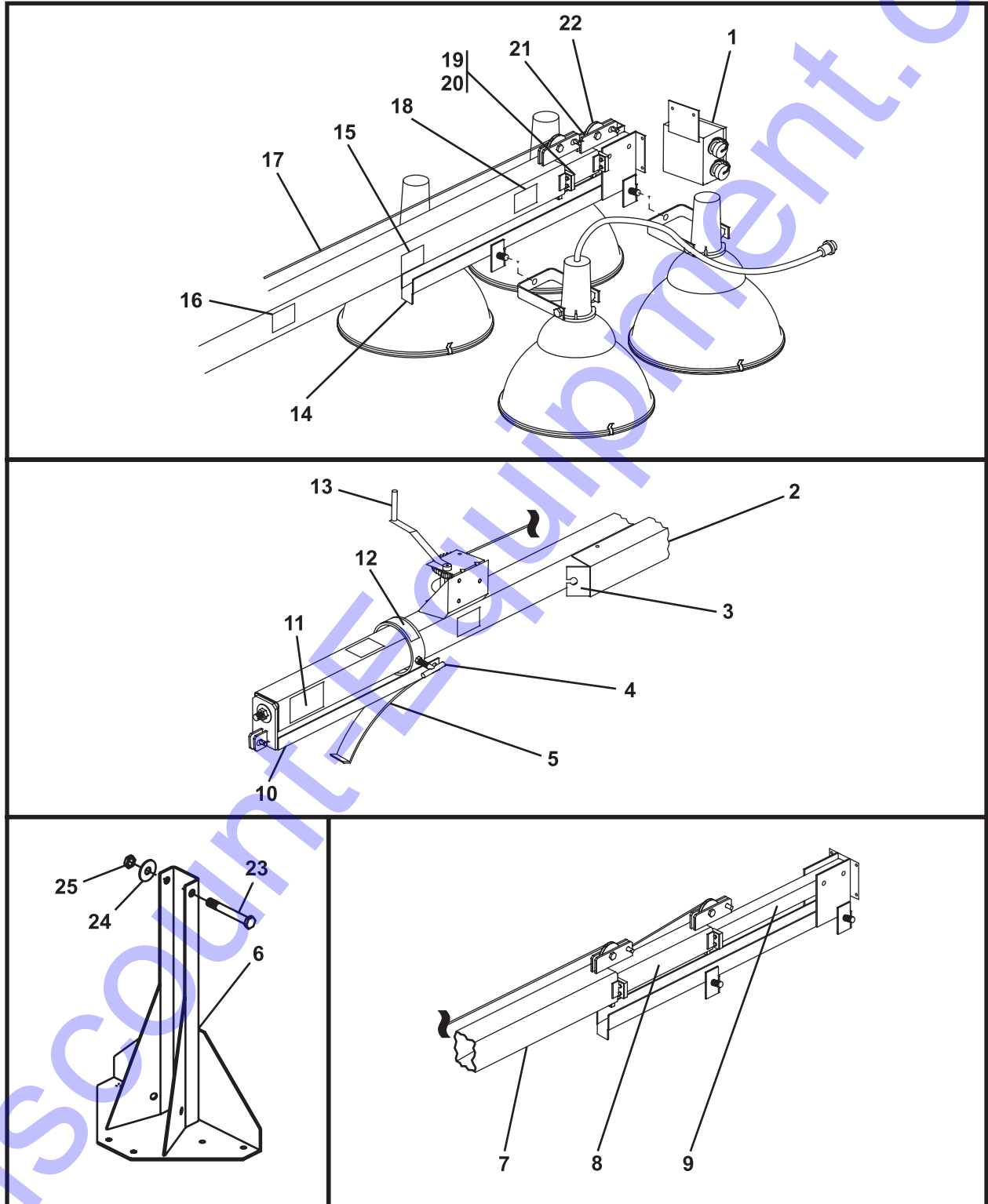
Discount-Equipment.com

Mast Components

Figure 601.1

Tower Assembly

REV A

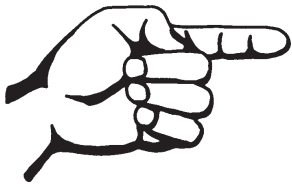




REV A

FIGURE 601.1

ITEM #	PART #	DESCRIPTION	QTY.
1	C48300108	JUNCTION BOX, WITH QUICK CONNECTIONS	1
2	CR61C018	COIL CORD COVER SLEEVE	1
3	CR61A017	WIRE GUIDE BRACKET	1
4	990610	BOLT TEE 1/2-20NF	1
5	CU61A090	SPRING,KICKOUT	1
6	CS63C080	TOWER BASE	1
7	CR61C010	TOWER, 4" SECTION	1
8	CR61C020	TOWER, 3" SECTION	1
9	CR61C030	TOWER, 2" SECTION	1
10	CS61C060	SWIVEL, BOOM(TOWER)	1
11	CU51A103	DECAL: AVOID BOOM SWING	1
12	CR51A107	DECAL: ALIGN ARROWS BEFORE LOWERING	1
13	C61100200	WINCH,BRAKE,1500LB W/HANDLE	1
14	CR64C010	CROSSHEAD	1
15	CR51A103	DECAL: WARNING-TAIL HOOK MUST BE PROPERLY	1
16	CU51A121	DECAL: LIFT HERE W/ ARROW	1
17	CU61A025	CABLE UPPER EXTEND 19'	1
18	CU51A117	DECAL: CAUTION LAMPS GET HOT	1
19	CS61A053	SLIDE BLOCK, TOWER GUIDE	6
20	C41135000	RIVET,POP,1/4" X 1/2"	24
21	CU61A035	CABLE LOWER EXTEND 11'	1
22	C61400100	PULLEY,3"	1
23	C54200300	BOLT	1
24	C54300400	WASHER	1
25	C54100200	NUT	1



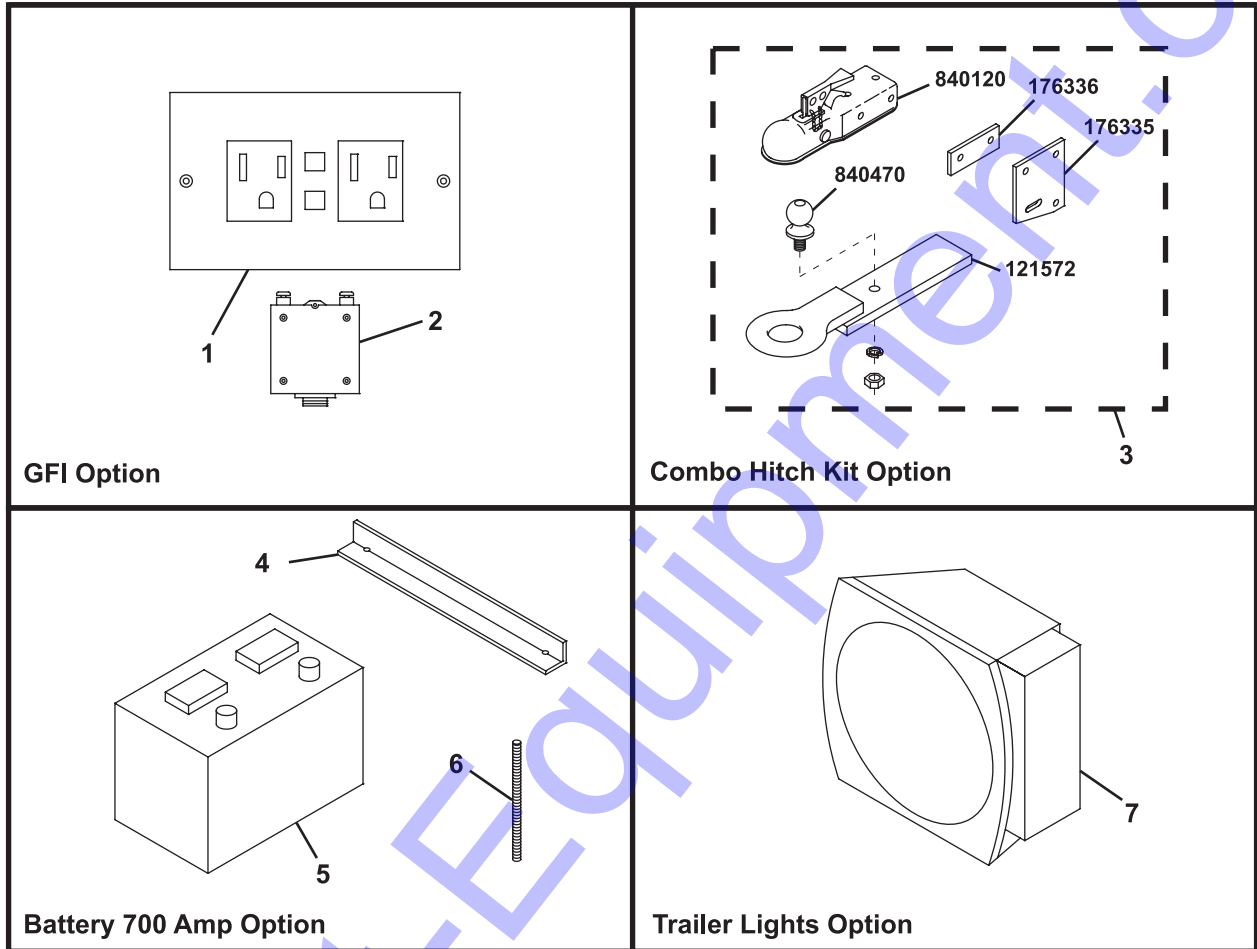
This page intentionally left blank.

Options

Figure 701.1

Options

REV A





REV A

FIGURE 701.1

ITEM #	PART #	DESCRIPTION	QTY.
1	683970	BREAKER MINI 1P 20A	1
2	684640	RECEPTACLE 20A 120V DUPLEX W/GFI	1
3	940000	COMBO HITCH KIT OPTION	1
4	174170	BATTERY HOLDOWN ANGLE 14.50"	1
5	161085	BATTERY, WET, 12V GR24, 700 AMP HEAVY-DUTY L/A	1
6	182331	BATTERY HOLDOWN ROD, 1/4 X 11-1/4"	2
7	660420	LIGHT, TRAILER KIT M540, WITH RIGHT & LEFT SIDE	1