

12-Inch Polypropylene Woofer

Your RadioShack 12-Inch Polypropylene Woofer brings great bass response to your stereo or monaural sound system, at home or in your car.

Its features include:

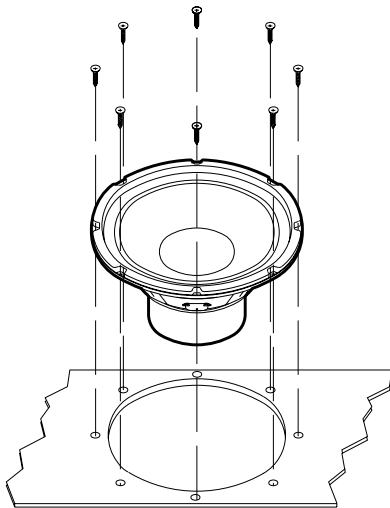
Light, Rigid, Polypropylene Cone — extra-durable long-life cone resists moisture and temperature extremes, and withstands greater stress at high volume levels.

Rolled Urethane Foam Surround — minimizes distortion and improves clarity.

Long-Throw Voice Coil — delivers clean, solid sound.

INSTALLATION

Use the speaker as a template, mark a mounting hole 1 inch in diameter less than the speaker's outer diameter, then cut the hole in the mounting surface.

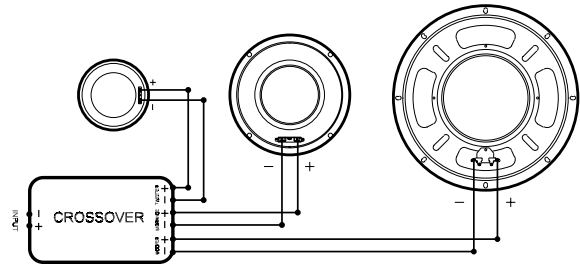


Install the speaker from the cabinet front (with the terminals at the bottom of the speaker) and keep it flush with the baffle face. Secure the speaker with eight screws (not supplied).

CONNECTION

Follow the diagram to connect the speaker.

Note: If you want to connect a midrange and a tweeter, you must also connect a crossover network (available at your local RadioShack store).



SPECIFICATIONS

Impedance	8 Ohms
Frequency Response	30 Hz–3,000 Hz
Free Air Resonance	30 Hz
Power Handling	75 Watts RMS
Input Power	150 Watts (Maximum)
Sensitivity	88 ±2 dB/1w/1m
Cone Material	Polypropylene
Dimensions (HWD)	5 ¹⁵ / ₁₆ × 12 ³ / ₁₆ × 12 ³ / ₁₆ Inches (15 × 31.1 × 31.1 cm)
Magnet Weight	17.8 oz (504 g)
Speaker Weight	71.8 oz (2 kg)

Specifications are typical; individual units might vary. Specifications are subject to change and improvement without notice.

Limited Ninety-Day Warranty

This product is warranted by RadioShack against manufacturing defects in material and workmanship under normal use for ninety (90) days from the date of purchase from RadioShack company-owned stores and authorized RadioShack franchisees and dealers. EXCEPT AS PROVIDED HEREIN, RadioShack MAKES NO EXPRESS WARRANTIES AND ANY IMPLIED WARRANTIES, INCLUDING THOSE OF MERCHANTABILITY AND FITNESS FOR A PARTICULAR PURPOSE, ARE LIMITED IN DURATION TO THE DURATION OF THE WRITTEN LIMITED WARRANTIES CONTAINED HEREIN. EXCEPT AS PROVIDED HEREIN, RadioShack SHALL HAVE NO LIABILITY OR RESPONSIBILITY TO CUSTOMER OR ANY OTHER PERSON OR ENTITY WITH RESPECT TO ANY LIABILITY, LOSS OR DAMAGE CAUSED DIRECTLY OR INDIRECTLY BY USE OR PERFORMANCE OF THE PRODUCT OR ARISING OUT OF ANY BREACH OF THIS WARRANTY, INCLUDING, BUT NOT LIMITED TO, ANY DAMAGES RESULTING FROM INCONVENIENCE, LOSS OF TIME, DATA, PROPERTY, REVENUE, OR PROFIT OR ANY INDIRECT, SPECIAL, INCIDENTAL, OR CONSEQUENTIAL DAMAGES, EVEN IF RadioShack HAS BEEN ADVISED OF THE POSSIBILITY OF SUCH DAMAGES.

Some states do not allow the limitations on how long an implied warranty lasts or the exclusion of incidental or consequential damages, so the above limitations or exclusions may not apply to you.

In the event of a product defect during the warranty period, take the product and the RadioShack sales receipt as proof of purchase date to any RadioShack store. RadioShack will, at its option, unless otherwise provided by law: (a) correct the defect by product repair without charge for parts and labor; (b) replace the product with one of the same or similar design; or (c) refund the purchase price. All replaced parts and products, and products on which a refund is made, become the property of RadioShack. New or reconditioned parts and products may be used in the performance of warranty service. Repaired or replaced parts and products are warranted for the remainder of the original warranty period. You will be charged for repair or replacement of the product made after the expiration of the warranty period.

This warranty does not cover: (a) damage or failure caused by or attributable to acts of God, abuse, accident, misuse, improper or abnormal usage, failure to follow instructions, improper installation or maintenance, alteration, lightning or other incidence of excess voltage or current; (b) any repairs other than those provided by a RadioShack Authorized Service Facility; (c) consumables such as fuses or batteries; (d) cosmetic damage; (e) transportation, shipping or insurance costs; or (f) costs of product removal, installation, set-up service adjustment or reinstallation.

This warranty gives you specific legal rights, and you may also have other rights which vary from state to state.

RadioShack Customer Relations, 200 Taylor Street, 6th Floor, Fort Worth, TX 76102

We Service What We Sell

04/99

RadioShack
A Division of Tandy Corporation
Fort Worth, Texas 76102