

gemini

PS-121x Mixer

6.5" 2 CHANNEL STEREO MIXER
PROFESSIONELLER 2 KANAL STEREO-MIXER
MEZCLADOR ESTEREO DE 2 CANALES PROFESIONAL
MIXER STEREO 2 VOIES PROFESSIONNEL
OPERATIONS MANUAL
BEDIENUNGSHANDBUCH
MANUAL DEL OPERADOR
MANUEL D'INSTRUCTIONS



gemini

GEMINIDJ.COM

MULTI LANGUAGE INSTRUCTIONS

ENGLISH.....	PAGE1-4
DEUTSCH.....	PAGE5-7
ESPAÑOL.....	PAGE8-10
FRANCAIS.....	PAGE 11-13

PLEASE READ BEFORE USING APPLIANCE, IMPORTANT WARNING & SAFETY INSTRUCTIONS!



CAUTION
RISK OF ELECTRICAL SHOCK DO NOT OPEN!



CAUTION: This product satisfies FCC regulations when shielded cables and connectors are used to connect the unit to other equipment. To prevent electromagnetic interference with electric appliances such as radios and televisions, use shielded cables and connectors for connections.

The exclamation point within an equilateral triangle is intended to alert the user to the presence of important operating and maintenance (servicing) instructions in the literature accompanying the appliance.

The lightning flash with arrowhead symbol, within an equilateral triangle, is intended to alert the user to the presence of uninsulated "dangerous voltage" within the product's enclosure that may be of sufficient magnitude to constitute a risk of electric shock to persons.

READ INSTRUCTIONS: All the safety and operating instructions should be read before the product is operated.

RETAIN INSTRUCTIONS: The safety and operating instructions should be retained for future reference.

HEED WARNINGS: All warnings on the product and in the operating instructions should be adhered to.

FOLLOW INSTRUCTIONS: All operating and use instructions should be followed.

CLEANING: The product should be cleaned only with a polishing cloth or a soft dry cloth. Never clean with furniture wax, benzene, insecticides or other volatile liquids since they may corrode the cabinet.

ATTACHMENTS: Do not use attachments not recommended by the product manufacturer as they may cause hazards.

WATER AND MOISTURE: Do not use this product near water, for example, near a bathtub, wash bowl, kitchen sink, or laundry tub; in a wet basement; or near a swimming pool; and the like.

ACCESSORIES: Do not place this product on an unstable cart, stand, tripod, bracket, or table. The product may fall, causing serious injury to a child or adult, and serious damage to the product. Use only with a cart, stand, tripod, bracket, or table recommended by the manufacturer, or sold with the product. Any mounting of the product should follow the manufacturer's instructions, and should use a mounting accessory recommended by the manufacturer.

CART: A product and cart combination should be moved with care. Quick stops, excessive force, and uneven surfaces may cause the product and cart combination to overturn. See Figure A.

VENTILATION: Slots and openings in the cabinet are provided for ventilation and to ensure reliable operation of the product and to protect it from overheating, and these openings must not be blocked or covered. The openings should never be blocked by placing the product on a bed, sofa, rug, or other similar surface. This product should not be placed in a built-in installation such as a bookcase or rack unless proper ventilation is provided or the manufacturer's instructions have been adhered to.

POWER SOURCES: This product should be operated only from the type of power source indicated on the marking label. If you are not sure of the type of power supply to your home, consult your product dealer or local power company.

LOCATION: The appliance should be installed in a stable location.

NON-USE PERIODS: The power cord of the appliance should be unplugged from the outlet when left unused for a long period of time.

GROUNDING OR POLARIZATION:

- If this product is equipped with a polarized alternating current line plug (a plug having one blade wider than the other), it will fit into the outlet only one way. This is a safety feature. If you are unable to insert the plug fully into the outlet, try reversing the plug. If the plug should still fail to fit, contact your electrician to replace your obsolete outlet. Do not defeat the safety purpose of the polarized plug.

- If this product is equipped with a three-wire grounding type plug, a plug having a third (grounding) pin, it will only fit into a grounding type power outlet. This is a safety feature. If you are unable to insert the plug into the outlet, contact your electrician to replace your obsolete outlet. Do not defeat the safety purpose of the grounding type plug.

POWER-CORD PROTECTION: Power-supply cords should be routed so that they are not likely to be walked on or pinched by items placed upon or against them, paying particular attention to cords at plugs, convenience receptacles, and the point where they exit from the product.

OUTDOOR ANTENNA GROUNDING: If an outside antenna or cable system is connected to the product, be sure the antenna or cable system is grounded so as to provide some protection against voltage surges and built-up static charges. Article 810 of the National Electrical Code, ANSI/NFPA 70, provides information with

regard to proper grounding of the mast and supporting structure, grounding of the lead-in wire to an antenna discharge unit, size of grounding conductors, location of antenna-discharge unit, connection to grounding electrodes, and requirements for the grounding electrode. See Figure B.

LIGHTENING: For added protection for this product during a lightning storm, or when it is left unattended and unused for long periods of time, unplug it from the wall outlet and disconnect the antenna or cable system. This will prevent damage to the product due to lightning and power-line surges.

POWER LINES: An outside antenna system should not be located in the vicinity of overhead power lines or other electric light or power circuits, or where it can fall into such power lines or circuits. When installing an outside antenna system, extreme care should be taken to keep from touching such power lines or circuits as contact with them might be fatal.

OVERLOADING: Do not overload wall outlets, extension cords, or integral convenience receptacles as this can result in a risk of fire or electric shock.

OBJECT AND LIQUID ENTRY: Never push objects of any kind into this product through openings as they may touch dangerous voltage points or short-out parts that could result in a fire or electric shock. Never spill liquid of any kind on the product.

SERVICING: Do not attempt to service this product yourself as opening or removing covers may expose you to dangerous voltage or other hazards. Refer all servicing to qualified service personnel.

DAMAGE REQUIRING SERVICE: Unplug this product from the wall outlet and refer servicing to qualified service personnel under the following conditions:

- When the power-supply cord or plug is damaged.
- If liquid has been spilled, or objects have fallen into the product.
- If the product has been exposed to rain or water.
- If the product does not operate normally by following the operating instructions. Adjust only those controls that are covered by the operating instructions as an improper adjustment of other controls may result in damage and will often require extensive work by a qualified technician to restore the product to its normal operation.
- If the product has been dropped or damaged in any way.
- When the product exhibits a distinct change in performance, this indicates a need for service.

REPLACEMENT PARTS: When replacement parts are required, be sure the service technician has used replacement parts specified by the manufacturer or have the same characteristics as the original part. Unauthorized substitutions may result in fire, electric shock, or other hazards.

SAFETY CHECK: Upon completion of any service or repairs to this product, ask the service technician to perform safety checks to determine that the product is in proper operating condition.

WALL OR CEILING MOUNTING: The product should not be mounted to a wall or ceiling.

HEAT: The product should be situated away from heat sources such as radiators, heat registers, stoves, or other products (including amplifiers) that produce heat.



Fig. A

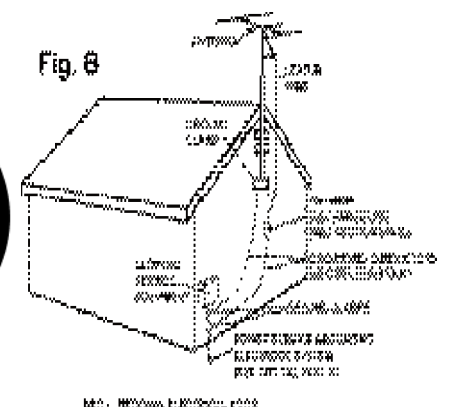
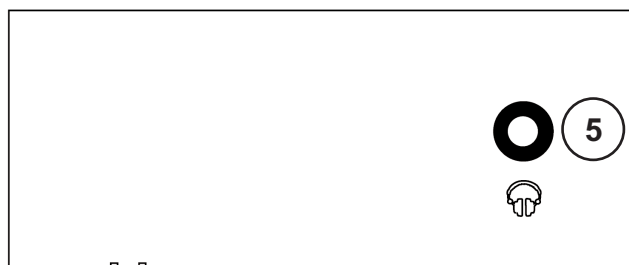
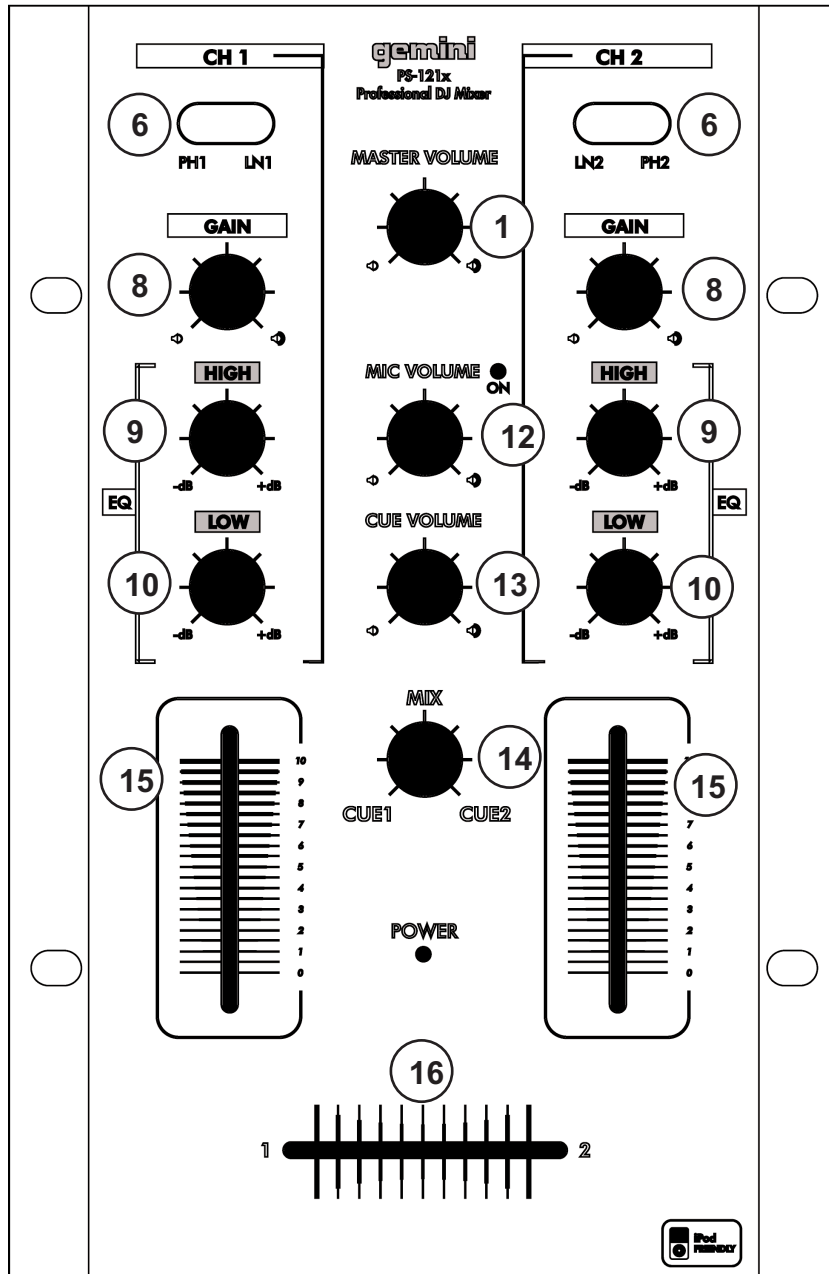
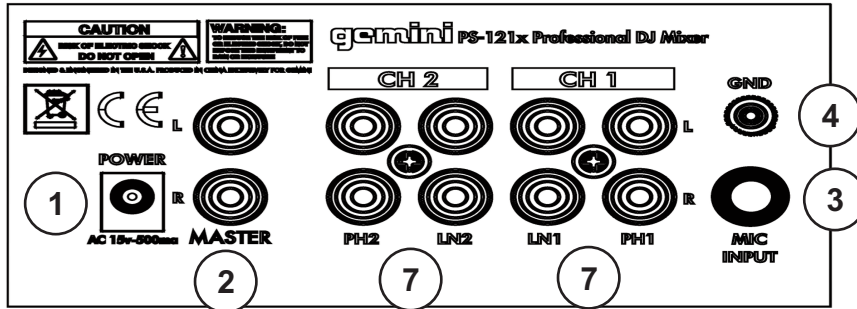


Fig. B





INTRODUCTION:

Congratulations on your purchase of a **Gemini PS-121x 6.5" 2 channel stereo mixer**. This state-of-the-art mixer features the latest technological advances and is backed by a **1 year warranty**, excluding the **cross fader**. The **cross fader** is backed by a separate **90 day warranty**. Prior to use we suggest that you carefully read all the instructions.

FEATURES:

- 6.5" 2 stereo channel mixer
- 2 line, 2 phono, RCA inputs
- Master RCA output
- Microphone Input
- Ground screw for easy connectivity

FACE:

- Removable face plate for user replaceable cross fader
- 2 band rotary line EQ with cut feature & rotary gain channel control
- Rotary cue Master volume control Mic Volume Control

FRONT:

- 1/4" headphone output

PRECAUTIONS:

1. All instructions should be read before using this equipment.
2. To reduce the risk of electrical shock, do not open the unit. Please refer all servicing needs to a **Gemini-qualified service technician**.
3. Do not expose this unit to direct sunlight or a heat source such as a radiator or stove.
4. This unit should be cleaned only with a damp cloth. Avoid solvents or other cleaning detergents.
5. When moving this equipment it should be placed in its original carton and packaging. This will reduce the risk of damage during transit.
6. **DO NOT EXPOSE THIS UNIT TO RAIN OR MOISTURE.**
7. **DO NOT USE SPRAY CLEANERS OR LUBRICANTS ON CONTROLS, SURFACES OR SWITCHES.**

1. IN THE USA ~ IF YOU EXPERIENCE PROBLEMS WITH THIS UNIT CALL GEMINI CUSTOMER SERVICE AT: 1 (732) 346-0061. Do NOT ATTEMPT TO RETURN THIS EQUIPMENT TO YOUR DEALER.

CONNECTIONS:

1. The **PS-121x** has **1 stereo output** located on the rear panel:
 - The **MASTER RCA OUTPUT (2)** connects the mixer to your main amplifier using standard audio cables with **RCA-type connectors**.
2. Headphones may be plugged into the front panel-mounted **HEADPHONE (5) 1/4" jack**.
3. Microphones may be plugged into the rear panel-mounted **MICROPHONE (3) 1/4" jack**.
4. The **PS-121x** has **2 PHONO and 2 LINE inputs (PH/LN) (7)** located on the rear panel.

The **RCA input(s)** on your left are for **PH 2/Line 2** Plug the **RCA's** from your playable medium into each input to be connected to their respective **CHANNELS (CH)**. The **PH INPUTS (7)** only accept turntables with a magnetic cartridge. The **STEREO LN INPUTS (7)** only accept line level inputs such as a **CD, DAT, Mini Disc**, etc and require the proper switch setting.

5. When using (a) turntable(s), you will need to ground the **RCA cable(s)** by screwing in the grounding fork(s) to the **GROUNDING SCREW (4)** located in the rear panel of the **PS-121x** mixer. Attach each **PH** ground line to the **GROUND THUMB SCREW (4)**. This is located directly above the **REAR PANEL MICROPHONE JACK (3)**.

NOTE: WHEN USING TURNTABLES, NOT ATTACHING A GROUND MAY CAUSE A SYSTEM "HUM."

1. Once all of your connections have been made in the rear panel, turn on the mixer by plugging in the **Power Cord (1)**.

2. **CH 1:** To bring this channel into program output (**PGM**), you must first decide which line will be in use. Use the **LN SWITCH (6)** to toggle from **PH 1** to **LN 1** on this channel. Once you've selected the proper line, slowly raise the **CH 1 SLIDE CONTROL (15)** to a comfortable level. You can further modify the sound output of this channel by adjusting the rotary **GAIN (8)**, **HIGH (9)** and **LOW (10)** controls located above the **CH 1 SLIDE CONTROL (15)**.

3. **CH 2:** To bring this channel into program output (**PGM**), you must first decide which line will be in use. Use the **LN SWITCH (6)** to toggle from **PH 2** to **LN 2** on this channel. Once you've selected the proper line, slowly raise the **CH 2 SLIDE CONTROL (15)** to a comfortable level. You can further modify the sound output of this channel by adjusting the rotary **GAIN (8)**, **HIGH (9)** and **LOW (10)** controls located above the **CH 2 SLIDE CONTROL (15)**.

NOTE: FOR OPTIMAL PERFORMANCE, BEGIN PROGRAM MIX WITH ROTARY GAIN (8) CONTROLS SET TO MINIMUM (ROTATE IT COUNTER-CLOCKWISE TO THE COUNTER CLOCKWISE POSITION). MAKE ALL ADJUSTMENTS IN SOUND OUTPUT WITH THE USE OF YOUR CHANNEL SLIDE CONTROLS AND MASTER (11) VOLUME ROTARY CONTROLS. THIS WILL PREVENT SIGNAL OVERLOAD AND DECREASE DISTORTION. ONCE YOU HAVE MODIFIED YOUR SOUND AND WOULD LIKE TO INCREASE THE OUTPUT OF YOUR SOUND, THEN YOU MAY ADJUST THE ROTARY GAIN CONTROL IF NEEDED.

4. **CUE:** By connecting a set of headphones to the **HEADPHONE (5) jack**, you can monitor any or all channels.

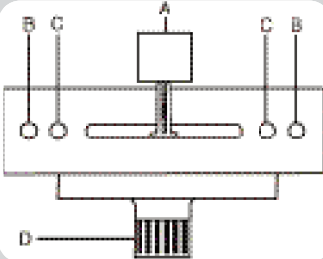


Use the face panel located rotary **CUE VOLUME CONTROL** (13) to adjust the **CUE** volume without changing the overall mix. By turning the face panel located **CUE 1/2 ROTARY CONTROL** (14) counter clockwise you will be able to choose the channel you wish to monitor.

5. **CROSS FADER SECTION:** The **CROSS FADER** (16) allows you to mix from one source to another. The **CROSS FADER** (16) in your unit is removable and if the need arises can be easily replaced. Also available are our **RG-45 (RAIL GLIDE™) DUAL-RAIL CROSS FADER** and **RG-45Pro (Rail Glide PRO)** The **RG-45** features, a stiffer feel and smoother curve specially made for mixing, while the **RG-45Pro** is specially designed for scratching, with a smoother feel and a special scratch-oriented curve. Just purchase one from your **Gemini** dealer and follow the instructions:

REPLACEABLE CROSS FADER

1. UNSCREW THE OUTSIDE FACE PLATE SCREWS ON THE LOWER HALF OF THE MIXER. REMOVE THE FADER CAPS AND FACE PLATE.
2. UNSCREW THE FADER (B) SCREWS. DO NOT TOUCH INSIDE SCREWS (C). CAREFULLY REMOVE OLD CROSS FADER AND UNPLUG CABLE (D).
3. PLUG IN THE NEW CROSS FADER INTO CABLE (D) AND PLACE BACK INTO MIXER.
4. SCREW THE CROSS FADER TO MIXER WITH THE FADER PLATE SCREWS (B).
5. REPLACE THE LOWER HALF FACE PLATE AND SCREW TO THE MIXER.



NOTE: DO NOT APPLY PRESSURE WHILE USING THE CROSS FADER (16). LIGHTLY GLIDE THE CROSSFADER BACK AND FORTH. PRESSING DOWN ON THE CONTROLS CAN BEND CONTACTS AND CAUSE A LOSS OF SOUND.

6. **OUTPUT SELECTION CONTROL:** Once you are comfortable with the sound level of your music you may adjust the volume with the **MASTER** (11) rotary control.

7. **MIC SECTION:** Plug your main **MIC** into the **MIC 1/4"** input (3) located on the rear panel.

8. **"Ipod Friendly" cable:** To connect your Ipod or other Digital Media Player, use the included Ipod cable. Connect the 1/8" end of the cable to the headphone or line out jack of your player, and connect the RCA end to the line input (7) of your mixer.

SPECIFICATIONS:

INPUTS:

Phono.....3 mV, 47 KOhm
 Line.....150 mV, 27 KOhm
 MIC.....1.5 mV, 1 KOhm Balanced

OUTPUTS:

Max.....20V Peak-to-Peak

GENERAL:

Frequency Response.....20Hz - 20KHz +/- 2 dB
 Distortion.....< 0.02%
 S/N Ratio.....Better Than 80 dB
 Headphone Impedance.....16 Ohm
 Power Source.....AC 15V 500mA
 Dimensiones.....6.5" x 3.3" x 10"
(165 x 84 x 254 mm)
 Weight.....3.3 lbs (1.5kg)
SPECIFICATIONS SUBJECT TO CHANGE WITHOUT NOTIFICATION FOR IMPROVEMENT.



gemini[®]

**IN THE USA: IF YOU EXPERIENCE PROBLEMS
WITH THIS UNIT, CALL 1-732-346-0061 FOR GEMINI
CUSTOMER SERVICE. DO NOT ATTEMPT TO RETURN
THIS EQUIPMENT TO YOUR DEALER.**

Parts of the design of this product may be protected by worldwide patents. Information in this manual is subject to change without notice and does not represent a commitment on the part of the vendor. Gemini Sound Products Corp. shall not be liable for any loss or damage whatsoever arising from the use of information or any error contained in this manual. No part of this manual may be reproduced, stored in a retrieval system or transmitted, in any form or by any means, electronic, electrical, mechanical, optical, chemical, including photocopying and recording, for any purpose without the express written permission of Gemini Sound Products Corp. It is recommended that all maintenance and service on this product is performed by Gemini Sound Products Corp. or its authorized agents. Gemini Sound Products Corp. will not accept liability for loss or damage caused by maintenance or repair performed by unauthorized personnel.



**Worldwide Headquarters • 1 Mayfield Ave, Edison, NJ 08837 • USA
Tel: (732) 346-0061 • Fax: (732) 346-0065**

France • Gemini France (GSL) • 1, Allée d'Effiat, Parc de l'événement, 91160 Longjumeau, France
Tél: + 33 1 69 79 97 70 • Fax: + 33 1 69 79 97 80

Germany • Gemini Sound Products GmbH • Lerchenstrasse 14, Haus 3 – 1. Stock, 80995 München, Germany
Tel: 49 (0) 89 319 019 80 • Fax: 08131 - 39171-9

UK • Gemini Sound Products • 44 The Brambles Enterprise Centre, PO7 7TH Waterlooville, UK
Tel: 087 087 00880 • Fax: 087 087 00990

Spain • Gemini Sound Products S.A. • Rosello, 516, 08026 Barcelona, Spain,
Tel: 349-3435-0814 • Fax: 3493-347-6961

© Gemini Sound Products Corp. 2004 All Rights Reserved.

VOR BENUTZUNG DES GERÄTS LESEN! WICHTIGE HINWEISE & SICHERHEITSBESTIMMUNGEN



ACHTUNG

GERÄT NICHT ÖFFNEN, STROMSCHLAGEGFAHR



VORSICHT: Dieses Produkt erfüllt die FCC-Regeln, wenn Sie zum Anschluss abgeschirmte Kabel und Stecker verwenden, um es mit anderen Geräten zu verbinden. Auch um elektromagnetische Störungen anderer elektrischer Geräte wie Radios oder Fernseher zu vermeiden, benutzen Sie abgeschirmte Kabel und Stecker für die Verbindungen.

Das Ausrufezeichen im gleichseitigen Dreieck weist Sie in der Bedienungsanleitung auf wichtige Bedienungsanweisungen und Wartungs-/Serviceanweisungen hin.

Das Blitzsymbol im gleichseitigen Dreieck dient dazu, den Benutzer vor gefährlichen Spannungen an nicht isolierten Stellen im Gehäuse zu warnen, die so groß sind, dass sie eine Gefahr für den Benutzer darstellen.

ANWEISUNGEN LESEN: Lesen Sie alle Sicherheits- und Bedienungsanweisungen, bevor Sie mit dem Produkt arbeiten.

AUFBEWAHRUNGSHINWEIS: Bewahren Sie alle Sicherheits- und Bedienungsanweisungen gut auf.

WARNHINWEISE: Alle Warnhinweise für das Produkt und die Bedienungsanweisungen müssen genau eingehalten werden.

ANWEISUNGEN BEFOLGEN: Alle Anweisungen zum Betrieb des Produkts sollten befolgt werden.

REINIGUNG: Das Produkt sollte nur mit einem Polier- oder einem weichen trockenen Tuch gereinigt werden. Benutzen Sie dazu niemals Möbelwachs, Benzine, Insektenmittel oder andere flüchtige Reinigungsmittel, denn Sie könnten zur Korrosion des Gehäuses führen.

ERWEITERUNGEN: Benutzen Sie keine Erweiterungen, die nicht vom Hersteller empfohlen sind, da sie zu Risiken führen könnten.

WASSER&FEUCHTIGKEIT: Benutzen Sie dieses Produkt nicht in der Nähe von Wasser, z. B. in der Nähe einer Badewanne, einer Waschkübel, eines Küchenspülbeckens, eines Waschbeckens, in einem feuchten Keller, in der Nähe eines Schwimmbeckens oder an ähnlichen Orten.

ZUBEHÖR: Stellen Sie das Produkt nicht auf eine wackelige oder labile Unterlage. Das Produkt könnte herunterfallen und dabei Kinder oder Erwachsene verletzen, wie auch selber beschädigt werden. Stellen Sie das Produkt nur auf vom Hersteller empfohlene oder verkaufte Unterlagen. Jede Befestigung und Montage des Produkts sollte nach den Anweisungen des Herstellers ausgeführt werden. Nutzen Sie dazu ein vom Hersteller empfohlenes Montageset.

MOBILE UNTERLAGEN: Bewegen Sie eine Kombination aus dem Produkt und einer mobilen Unterlage mit Vorsicht. Schnelles Anhalten, zu viel Schub oder unebene Böden können dazu führen, dass sich Produkt und mobile Unterlage überschlagen (SIEHE FIG. A).

BELÜFTUNG: Schlitze und Öffnungen im Gehäuse sind für die Belüftung vorgesehen. Sie stellen den zuverlässigen Betrieb des Produkts sicher und schützen es vor Überhitzung. Diese Öffnungen dürfen nicht verschlossen, blockiert oder bedeckt werden. Stellen Sie deswegen das Produkt niemals auf ein Bett, ein Sofa, einen Teppich oder Stellen mit ähnlicher Oberfläche. Wenn Sie dieses Produkt in einer festen Installation wie z. B. in einem Regal oder einem Rack einbauen, sorgen Sie für ausreichende Belüftung oder sorgen Sie dafür, dass die Bestimmungen des Herstellers genau eingehalten werden.

STROMANSCHLUSS: Dieses Produkt darf nur mit dem auf dem Gerät angegebenen Strom betrieben werden. Wenn Sie sich nicht sicher sind, welche Stromart Sie bei sich zu Hause haben, fragen Sie den Verkäufer des Geräts oder Ihren Stromversorger.

AUFSTELLUNGORT: Stellen Sie das Gerät an einem festen Ort auf.

ZEITEN DES NICHTGEBRAUCHS: Ziehen Sie das Stromkabel aus dem Gerät heraus, wenn Sie es für eine längere Zeit nicht gebrauchen.

ERDUNG ODER POLUNG: Wenn dieses Produkt mit einem gepolten Wechselstromstecker (ein Stecker mit einem Kontakt mehr als andere Stecker) ausgestattet ist, passt dieser nur in einer bestimmten Richtung in die Steckdose und ist ein besonderes Sicherheitsmerkmal. Sollten Sie den Stecker nicht komplett in die Steckdose stecken können, versuchen Sie ihn andersherum einzustecken. Sollte der Stecker auch dann noch nicht in die Steckdose passen, beauftragen Sie einen Elektriker, um diese veraltete Steckdose auszutauschen.

Wenn dieses Produkt mit einem geerdeten dreipoligen Stecker ausgestattet ist, hat der Stecker einen dritten (Erdungs-)Kontakt und passt nur in eine Steckdose mit entsprechender Erdung. Auch das ist ein Sicherheitsmerkmal. Sollte der Stecker nicht in die Steckdose passen, beauftragen Sie einen Elektriker, um diese veraltete Steckdose auszutauschen.

SCHUTZ DES STROMKABELS: Stromkabel sollten so verlegt werden, dass man nicht auf sie treten kann, noch dass sie von darauf stehenden oder gegen sie stoßenden Gegenständen gequetscht werden. Achten Sie besonders auf Kanten, Sicherung, Stecker und Buchsen.

AUSSENANTENNENERDUNG: Wenn Sie eine Außenantenne oder ein Radio-/Fernsehkabelsignal an das Produkt anschließen, achten Sie darauf, dass die Antenne oder das Kabel geerdet sind, um dafür zu sorgen, dass Überspannungen und elektrostatische Aufladungen nicht auftreten können. Im Artikel 810 des National Electrical Code, ANSI/NFPA 70, finden Sie Informationen über die richtige Erdung des Antennenmasts und weitere Informationen auf diesem Thema. (SIEHE AUCH FIG. B).

GEWITTER: Trennen Sie das Produkt während eines Gewitters oder wenn es unbeaufsichtigt ist oder wenn es für eine lange Zeit nicht benutzt wird, durch Herausziehen des Stromkabels aus

der Netzdose. Trennen Sie auch die Verbindung zu einer Antenne oder Radio-/Fernsehkabeln. Dadurch vermeiden Sie Beschädigungen des Produkts durch Blitze oder Überspannungen.

STROM- UND ÜBERLANDLEITUNGEN: Stellen Sie eine Außenantenne nicht in der Nähe von Überlandleitungen, elektrischen Licht- oder Stromkreisen oder an Stellen, wo sie in eine solche Leitung fallen könnte, auf. Wenn Sie eine Außenantenne aufstellen, achten Sie besonders darauf, dass Sie auf keinen Fall irgendwelche Stromleitungen berührt. Das kann zu gefährlichen Auswirkungen führen.

ÜBERLASTUNG: Überlasten Sie keine Steckdosen, Verlängerungskabel oder Sicherungen. Das kann zu Bränden oder elektrischen Schlägen führen.

EINDRINGEN VON GEGENSTÄNDEN ODER FLÜSSIGKEIT: Führen Sie niemals irgendwelche Gegenstände durch Öffnungen in das Produkt ein. Sie könnten mit Strom führenden Stellen in Verbindung kommen oder Kurzschlüsse verursachen, die zu Bränden oder elektrischen Schlägen führen können. Gießen Sie niemals irgendwelche Flüssigkeiten auf oder in das Produkt.

SERVICE: Versuchen Sie nicht, das Produkt selber zu reparieren. Durch das Öffnen des Gehäuses oder Entfernen von Schrauben können Sie mit gefährlichen Spannungen oder anderen Risiken in Kontakt kommen. Beauftragen Sie im Reparaturfall nur qualifiziertes Servicepersonal.

WANN SERVICE NÖTIG IST: Unter den folgenden Bedingungen ziehen Sie auf jeden Fall das Stromkabel aus der Steckdose und beauftragen Sie für eine Reparatur nur qualifiziertes Servicepersonal:

- Wenn das Stromkabel defekt ist.
- Wenn Flüssigkeit auf oder in das Produkt gelaufen ist oder Gegenstände in das Produkt gefallen sind.
- Wenn das Produkt Regen oder Wasser ausgesetzt war.
- Wenn das Produkt trotz Befolgen der Bedienungsanweisungen nicht normal arbeitet. Stellen Sie dabei das Produkt nur nach den Anweisungen der Bedienungsanleitung ein, andere Einstellungen können das Produkt beschädigen und den aufwändigen Einsatz von Technikern für die Wiederherstellung erfordern.
- Wenn das Produkt hingefallen oder auf andere Art und Weise beschädigt ist.
- Wenn das Produkt eine eindeutige Veränderung im Betrieb zeigt.

ERSATZTEILE: Wenn Ihr Produkt Ersatzteile benötigt, achten Sie darauf, dass der Servicetechniker nur vom Hersteller erlaubte Ersatzteile oder Ersatzteile, die die gleichen Eigenschaften wie die originalen Teile aufweisen, einsetzt. Falsche Ersatzteile können zu Bränden, elektrischen Schlägen oder anderen Risiken führen.

SICHERHEITSTEST: Bevor der Service oder eine Reparatur für dieses Produkt beendet sind, beauftragen Sie den Servicetechniker, einen Servicetest durchzuführen, um sicher zu stellen, dass das Produkt einwandfrei funktioniert.

WAND- ODER DECKENMONTAGE: Das Produkt sollte nicht an einer Wand oder der Decke montiert werden.

HITZE: Stellen Sie das Produkt nicht in die Nähe von Wärmequellen wie Radiatoren, Wärmespeichern, Öfen oder anderen Produkten (auch Verstärker), die Hitze erzeugen.

VERWERTEN SIE WIEDER: Dieses Produkt sollte nicht als Haushaltsmüll entsorgt werden. Entsorgen Sie das Produkt im Bedarfsfall bei einer zuständigen Entsorgungsstelle, die das Recycling der elektrischen und elektronischen Bauteile übernimmt. Wenn Sie das Produkt dem gemäß entsorgen, schützen Sie die Umwelt und die menschliche Gesundheit. Bei nicht sachgemäßer Entsorgung gefährden Sie die Umwelt und die menschliche Gesundheit. Das Recycling verschiedener Materialien hilft, die Natur und ihre Ressourcen zu schonen. Für nähere Informationen bezüglich der Entsorgung dieses Produkts nehmen Sie Kontakt auf mit Ihrer lokalen Stadtverwaltung, dem zuständigen Entsorgungsunternehmen oder dem Händler, bei dem Sie das Produkt gekauft haben.



Fig. A

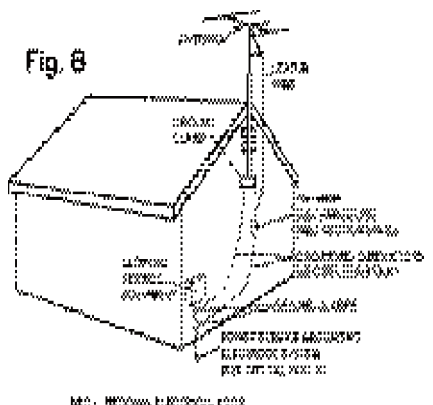


Fig. B



EINLEITUNG:

Wir gratulieren Ihnen zum Kauf des **Gemini PS-121x 6,5" 2 Kanal Stereomixers**. Dieser State-of-the-art Mixer spiegelt den aktuellen technologischen Stand wider und ist mit einer **1 Jahres Garantie*** (mit Ausnahme der **Crossfaders**) ausgestattet. Für den **Crossfader** gilt eine separate **90 Tage Garantie**. Lesen Sie vor Inbetriebnahme aufmerksam alle Anweisungen.

AUSSTATTUNG:

- 6,5" 2 Kanal Stereo Mixer
- 2 Line-, 2 Phono Cinch Eingänge
- Master Cinch Ausgang
- Mikrofoneingang
- Schraube für einfachen Masseanschluss

OBERSEITE:

- Abnehmbare Platte zum Tausch des Crossfaders
- 2 Band Equalizer mit Drehreglern & Cut, Gain Regler pro Kanal
- Drehstichwort-Master-Volumen kontrolliert und Mic Volumen-Kontrolle

VORDERSEITE:

- 6,3 mm Klinke Kopfhörerausgang

VORSICHTSMASSNAHMEN:

1. Lesen Sie die Hinweise aufmerksam durch, bevor Sie das Gerät in Betrieb nehmen.
2. Um das Risiko eines elektrischen Schlages zu reduzieren, sollten Sie das Gerät nicht öffnen. Bringen Sie das Gerät im Servicefall immer zu einem von **Gemini** qualifizierten Techniker.
3. Nicht direktem Sonnenschein oder Hitzequellen wie Radiatoren oder Öfen aussetzen.
4. Nur mit einem weichem Tuch reinigen. Keine Lösungsmittel oder chemischen Reinigungsmittel nehmen.
5. Transportieren Sie das Gerät im Originalkarton. So verringern Sie das Risiko eines Transportschadens.
6. **NICHT REGEN ODER FEUCHTIGKEIT AUSSETZEN.**
7. **KEINE SPRÜHREINIGER ODER SCHMIERÖL AN REGLERN, OBERFLÄCHE ODER SCHALTERN NUTZEN.**

VORGEHEN IM FALLE EINER BEANSTANDUNG:

BITTE SETZEN SIE SICH MIT IHREM **GEMINI** VERTRAGSHÄNDLER IN VERBINDUNG.

ANSCHLÜSSE:

1. Der **PS-121x** verfügt über **1 Stereoausgang** auf der Rückseite:

Der **MASTER Ausgang** (2) dient zum Anschluss des Mixers an Ihren Hauptverstärker. Benutzen Sie dazu ein **Cinch Kabel**.

2. Der **HEADPHONE** (5) Ausgang mit 6,3 mm Klinke auf der Oberseite steht für den Anschluss eines Kopfhörers bereit.

3. An den rückseitigen **MICROPHONE** (3) Eingang mit 6,3 mm Klinke können Sie ein Mikrofon anschließen.

4. Der **PS-121x** verfügt über **2 PHONO- und 2 LINE EINGÄNGE** (7) auf der Rückseite.

Wenn Sie auf die Rückseite schauen, ist der rechte **CINCH EINGANG** für **PH 1/LN 1** (7) und der linke für **PH 2/ LN 2** (7). Verbinden Sie die Kabel Ihrer Abspiegelgeräte mit den jeweiligen Eingängen des gewünschten **KANALS (CH)**. Die **PHONO EINGÄNGEN** (7) verarbeiten nur Signale von Plattenspielern mit Magnetsystem. Die **STEREO LN EINGÄNGE** (7) verarbeiten nur Line Signale (z.B. von **CD, DAT, Mini Disc**, etc).

7. Wenn Sie Plattenspieler verwenden, sollten Sie die Masse benutzen, indem Sie die Masseklemme des Cinch Kabels mit dem rückseitigen **MASSEANSCHLUSS** (4) verbinden. Verbinden Sie jeden Plattenspieler mit dem **MASSEANSCHLUSS** (4). Sie finden diesen direkt oberhalb des **RÜCKSEITIGEN MIKROFONEINGANGS**(3)

WICHTIG: VERBINDEN SIE BEIM EINSATZ VON PLATTENSPIELERN AUF JEDEN FALL DIE MASSE, UM EIN "BRUMMEN" ZU VERMEIDEN.

1. Haben Sie alle Verbindungen vorgenommen, schalten Sie den Mixer mit dem rückseitigen **NETZSCHALTER** (1) ein.

2. **CH 1:** Um Kanal 1 über **PGM** hören zu können, müssen Sie vorher festlegen, welchen Eingang Sie nutzen möchten. Mit dem **LN SCHALTER** schalten Sie zwischen **PH 1, Mix** und **LN 1** dieses Kanals um. Nach der Eingangswahl schieben Sie den **CH 1 SCHIEBEREGLER/FADER** (15) vorsichtig auf die gewünschte Lautstärke. Mit dem **GAIN** Regler (8) stellen Sie vorher die richtige Vorverstärkung ein, die Regler **HIGH** (9) und **LOW** (10) verändern die Klangfarbe. Diese Regler befinden sich oberhalb des **CH 1 SCHIEBEREGLER/FADER** (15).

3. **CH 2:** Um Kanal 1 über **PGM** hören zu können, müssen Sie vorher festlegen, welchen Eingang Sie nutzen möchten. Mit dem **LN SCHALTER** schalten Sie zwischen **PH 2, Mix** und **LN 2** dieses Kanals um. Nach der Eingangswahl schieben Sie den **CH 2 SCHIEBEREGLER/FADER** (15) vorsichtig auf die gewünschte Lautstärke. Mit dem **GAIN** Regler (8) stellen Sie vorher die richtige Vorverstärkung ein, die Regler **HIGH** (9) und **LOW** (10) verändern die Klangfarbe. Diese Regler befinden sich oberhalb des **CH 2 SCHIEBEREGLER/FADER** (15).

WICHTIG: FÜR OPTIMALE ERGEBNISSE SOLLTEN ZUERST DIE GAIN REGLER (8) IN MITTELSTELLUNG UND DIE LINEFADER (15) IN MAXIMALPOSITION BRINGEN. STELLEN SIE DEN MASTERPEGEL (LAUT LED-ANZEIGE) AUF 0 DB EIN, UM VERZERRUNGEN ZU VERHINDERN. NUN KÖNNEN SIE JE NACH LAUTSTÄRKE DES NÄCHSTEN LIEDES MIT DEN GAINREGLERN LAUTER UND LEISER REGELN.

5. **CUE:** Schließen Sie einen Kopfhörer an den **HEADPHONE** (5) Ausgang an, und Sie können jeden oder alle Kanäle vorhören.

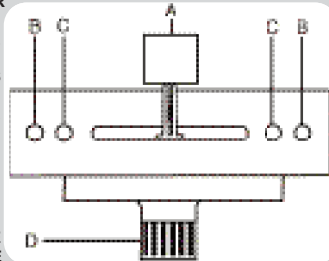
Mit dem **CUE VOLUME REGLER** (13) auf der Oberseite stellen Sie die **KOPFHÖRER** Lautstärke ein, ohne den restlichen Mix zu verändern. Drehen Sie den **CUE 1/2 REGLER** (14) auf der Oberseite im Uhrzeigersinn, um das gewünschte Monitorsignal für den Kopfhörer auszuwählen.

6. **CROSSFADER SEKTION:** Mit dem **CROSSFADER** () können Sie zwischen zwei Signalen überblenden. Der **CROSS FADER** (16) im PS-121 ist im Bedarfsfall einfach austauschbar. Optional können Sie den **RG-45 (RAIL GLIDE™) DUAL-RAIL CROSSFADER** und **RG-45Pro (Rail Glide PRO)** verwenden. Der **RG-45** bietet ein anderes Verhalten und eine weiche Kurve zum Mixen, während der **RG-45Pro** mit seinem weicherem Verhalten und einer Scratch-optimierten Kurve speziell zum Scratchen entwickelt wurde. Fragen Sie Ihren **Gemini** Händler und folgen Sie den untenstehenden Anweisungen:

WICHTIG: ÜBEN SIE BEI DER BENUTZUNG DES CROSSFADERS () KEINEN DRUCK AUS. BEWEGEN SIE DEN CROSSFADER OHNE DRUCK. STARKER DRUCK AUF DIE REGLER KANN KONTAKTE VERBIEGEN UND ZU EINEM VERLUST AN KLANGQUALITÄT FÜHREN.

AUSTAUSCHBARER CROSSFADER

1. ENTFERNEN SIE DIE ÄUSSEREN SCHRAUBEN DER PLATTE IN DER UNTEREN MIXERHÄLFTE. ZIEHEN SIE DIE FADERKÖPFE UND DIE PLATTE AB.
2. ENTFERNEN SIE DIE FADER SCHRAUBEN (B), NICHT JEDOCH DIE INNEREN SCHRAUBEN (C). NEHMEN SIE DEN ALTEN CROSSFADER UND ZIEHEN DAS KABEL AB (D).
3. SCHLIEßEN SIE DAS KABEL (D) AN DEN NEUEN CROSSFADER AN UND PLATZIEREN IHN IM MIXER.
4. BEFESTIGEN SIE DEN CROSSFADER MIT DEN SCHRAUBEN (B).
5. SCHRAUBEN SIE DIE PLATTE WIEDER AUF DIE UNTERE HÄLFTE DES MIXERS.



7. **AUSGANGSLAUTSTÄRKE:** Sind Sie mit den Einstellungen für die Lautstärke zufrieden, können Sie die Gesamtlautstärke mit dem **MASTER** (11) Regler einstellen.

8. **MIKROFON SEKTION:** Schließen Sie Ihr **MIKROFON** an die rückseitige 6,3 mm Klinkenbuchse **MIC** (3) an.

9. **„Ipod Friendly“ Kabel:** Nutzen Sie das mitgelieferte iPod Kabel, um Ihren iPod oder einen anderen digitalen Mediaplayer anzuschließen. Stecken Sie die Miniklinke in den Kopfhörer- oder den Line-Ausgang und die Cinch Stecker in den Eingang (7) Ihres Mixers.

TECHNISCHE DATEN:

EINGÄNGE:

Phono.....3 mV, 47 KOhm
Line.....150 mV, 27 KOhm
MIC.....1,5 mV, 1 KOhm symmetrisch

AUSGÄNGE:

Max.....20 V Spitze-Spitze

ALLGEMEIN:

Frequenzgang.....20 Hz - 20 KHz +/- 2 dB
Verzerrung.....< 0,02 %
Rauschspannungsabstand.....besser als 80 dB
Kopfhörer Impedanz.....16 Ohm
Stromversorgung.....15 Volt AC Netzteil
Abmessungen.....6.5" x 3.3" x 10"
.....(165 x 84 x 254 mm)
Gewicht.....2.5 lbs (1.2 kg)

TECHNISCHE- UND LAYOUTÄNDERUNGEN OHNE VORANKÜNDIGUNG VORBEHALTEN

***ES GELTEN DIE JEWEILIGEN GEWÄHRLEISTUNGSBESTIMMUNGEN DES LANDES, WO DAS GERÄT ERWORBEN WURDE.**

gemini®

INSTRUCCIONES MULTI LENGUA

ENGLISH.....PAGE1-4
 DEUTSCH.....PAGE5-7
 ESPAÑOL.....PAGE8-10
 FRANCAIS.....PAGE 11-13

POR FAVOR LEA ANTES DE UTILIZAR, INSTRUCCIONES IMPORTANTES DE SEGURIDAD!



PRECAUCION
RIESGO DE SHOCK ELECTRICO - NO ABRIR!



ATENCIÓN: Este producto cumple con la normativa legal si se utilizan cables y conectores blindados para conectar la unidad a otro equipo. Para evitar interferencias electromagnéticas con otros aparatos eléctricos, como radios y televisores, deben emplearse cables y conectores blindados.

Los signos de exclamación dentro de un triángulo que puedan aparecer en la documentación que acompaña a la unidad pretenden alertar al usuario de instrucciones de operación o mantenimiento importantes.

El signo de un rayo dentro de un triángulo pretende alertar al usuario de la presencia de "voltaje peligroso" no aislado en el interior de la unidad, que podría ser de suficiente intensidad como para constituir riesgo de descarga eléctrica.

LEA LAS INSTRUCCIONES: Deben leerse todas las indicaciones de uso y seguridad antes de usar este producto.

CONSERVE LAS INSTRUCCIONES: Las instrucciones de uso y seguridad deben conservarse para referencias futuras.

ATIENDA A LAS ADVERTENCIAS: Deben seguirse todas las advertencias sobre este producto que figuran en el manual de instrucciones.

SIGA LAS INSTRUCCIONES: Deben seguirse todas las instrucciones del manual.

LIMPIEZA: Este producto debe limpiarse con una mopa suave o con un paño seco. Nunca utilice cera para muebles, gasolina, insecticidas u otros líquidos volátiles, ya que podrían corroer la carcasa.

COMPLEMENTOS: No utilice accesorios que no estén recomendados por el fabricante, pues podrían dañar la unidad.

AGUA Y HUMEDAD: No use este producto cerca de medios acuáticos, como una bañera, un cubo de agua, un fregadero o un lavadero; tampoco en un sótano húmedo, ni cerca de una piscina o similar.

ACCESORIOS: No coloque el producto sobre un carrito, soporte, trípode, brazo o mesa. Podría caer y causar graves daños a un niño o adulto, así como a la propia unidad. Úsese sólo con un carrito, soporte, trípode, brazo o mesa recomendado por el fabricante. Al montar la unidad deben seguirse siempre las instrucciones y emplearse accesorios recomendados por el fabricante.

CARRITO: Si el producto va sobre un carrito, debe moverse el conjunto con cuidado. Detenciones bruscas, una fuerza excesiva o superficies inadecuadas pueden provocar la caída de todo el conjunto. Véase Figura A.

VENTILACIÓN: Las aperturas y ranuras de la carcasa están diseñadas para la ventilación, aseguran un manejo fiable y lo protegen de cualquier sobrecalentamiento, por tanto, nunca deben cubrirse ni bloquearse. Estas aperturas no deben taparse colocando el producto sobre un sofá, una cama, una alfombra o superficies similares. Nunca debe colocarse en una estructura prefabricada, como una caja o un rack, a menos que tengan la ventilación adecuada o lo permitan las instrucciones del fabricante.

FUENTES DE ALIMENTACIÓN: Esta unidad debe utilizarse exclusivamente con el tipo de suministro eléctrico indicado en la etiqueta correspondiente. Consúltelo antes de enchufar el producto si no está seguro del tipo de suministro del lugar donde lo va a usar.

UBICACIÓN: Este aparato debe colocarse en una ubicación estable.

PERIODOS SIN USARLO: Si no se va a usar la unidad durante un tiempo prolongado, desenchúfelo de la corriente eléctrica.

TOMA DE TIERRA O POLARIZACIÓN:

- Si este producto lleva una clavija de corriente alterna polarizada (con un pivote más grueso que otro, tipo inglés), sólo entrará en una posición. Es una medida de seguridad. Si no puede introducir la clavija en el enchufe, gírela. En ningún caso debe forzarse. Si sigue sin entrar, un electricista debería cambiar el enchufe.

- Si la unidad lleva una clavija con tres pivotes (el tercero corresponde a la toma de tierra), sólo entrará en un tipo de enchufe. Se trata de una medida de seguridad. Si el enchufe y la clavija no son compatibles, un electricista deberá cambiar el enchufe. En ningún caso deberá forzarse.

PROTECCIÓN DEL CABLE DE CORRIENTE: Los cables de corriente deben protegerse para que nadie los pise ni corran el riesgo de pinzarse por elementos colocados encima o que los aprisionen. Debe prestarse especial atención al cable, al enchufe, a los extensores de cable y al punto por donde el cable sale de la unidad.

TIERRA DE LA ANTENA EXTERIOR: Si el producto lleva conectada una antena exterior o sistema de cables, asegúrese de que cuenta con la toma de tierra correspondiente, a fin de proteger la unidad de variaciones de voltaje y cargas de electricidad estática. Existe documentación oficial acerca de la correcta utilización de la toma de tierra y de las medidas de seguridad pertinentes, conexión de los electrodos de descarga y sus requisitos. Véase Figura B.

RAYOS: Como protección adicional del producto durante una tormenta eléctrica, o durante periodos prolongados sin usarlo, desenchúfelo de la corriente y desconecte la antena o sistema de cables. De este modo se protegerá el producto de los daños que pueda producir la caída de un rayo o las fluctuaciones de la red eléctrica.

LÍNEAS ELÉCTRICAS: Nunca debe situarse un sistema de antena cerca de líneas eléctricas u otros circuitos de corriente. Tampoco debe colocarse en lugares donde pueda caer sobre dichos circuitos eléctricos. Al instalar un sistema de antenización

exterior, debe tomarse la extrema precaución de no tocar dichas líneas eléctricas, pues el más mínimo contacto puede ser mortal.

SOBRECARGA: No sobrecargue los enchufes de la pared con ladrones o instalando enchufes múltiples, pues correría el riesgo de electrocución o incendio.

ENTRADA DE OBJETOS O LÍQUIDOS: Nunca introduzca objetos de ningún tipo en el interior del producto, pues podrían tocar una parte eléctrica y cortocircuitar el aparato, lo que resultaría en un incendio o descarga eléctrica. No verter nunca ningún líquido sobre el producto.

REPARACIÓN: No intente reparar el producto por cuenta propia, ya que abrir o retirar la carcasa le expondría a un voltaje peligroso u otros peligros. Diríjase siempre a un centro de servicio técnico autorizado.

DAÑOS QUE REQUIEREN REPARACIÓN: Desenchufe el aparato de la corriente y diríjase a un servicio técnico autorizado si se da alguna de las siguientes situaciones:

- El cable de alimentación o la clavija están dañados.
- Se ha vertido líquido o ha caído algún objeto sobre la unidad.
- El aparato se ha expuesto a la lluvia o a salpicaduras.
- La unidad se ha caído al suelo o dañado de algún modo.
- El aparato no funciona con normalidad, ni aun siguiendo las instrucciones. Ajuste sólo los mandos que se indican en las instrucciones, ya que la manipulación inadecuada de otros controles podría dañar la unidad y requeriría un mayor trabajo de un técnico para restablecer su funcionamiento normal.
- Si el producto muestra anomalías en su funcionamiento, necesita revisión por parte de un servicio técnico autorizado.

RECAMBIOS: Cuando se necesite alguna pieza de recambio, asegúrese de que el servicio técnico utilice piezas originales autorizadas o que tengan las mismas características que las originales. Los reemplazos no autorizados pueden causar descargas eléctricas, incendios u otros daños.

COMPROBACIÓN DE SEGURIDAD: Tras la reparación, solicite al técnico que efectúe las comprobaciones de seguridad necesarias para determinar que el producto se encuentra en las condiciones adecuadas para su funcionamiento.

MONTAJE EN UNA PARED O TECHO: Este producto nunca debe montarse en una pared o en el techo.

CALOR: Este producto debe alejarse de fuentes de calor, como radiadores, estufas u otros aparatos que irradian calor, incluyendo amplificadores.



Fig. A

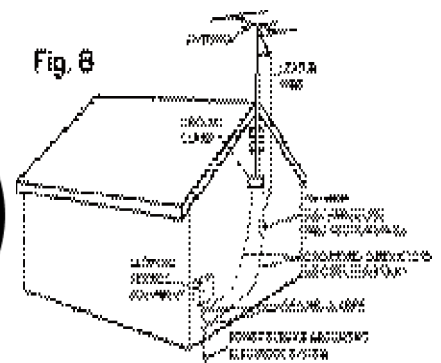


Fig. B



INTRODUCCION:

Felicidades por la compra de su **Gemini PS-121x mezclador 6.5" 2 canales estéreo**. Este mezclador de diseño incorpora la última tecnología y está amparado por **1 año de garantía**, excluyendo el **cross fader**. El **cross fader** está cubierto por **90 días de garantía**. Antes de usar le sugerimos lea detenidamente estas instrucciones.

CARACTERISTICAS:

- Mezclador de 6.5" 2 canales estéreo
- Entradas RCA 2 línea, 2 phono,
- Salida Master RCA
- Entrada de micrófono
- Tornillo de masa para fácil conectividad

CARATULA:

- Removible por usuario para reemplazar el cross fader
- EQ 2 bandas rotativo con cut & ganancia por canal
- Volumen de Maestro de señal rotatorio controla y Control de Volumen Mic

FRONTAL:

- Salida auriculares 1/4"

PRECAUCIONES:

1. Las instrucciones deben leerse antes de usar este equipo.
2. Para reducir el riesgo de shock eléctrico, no abra la unidad. Por favor acuda a un técnico cualificado de **Gemini** para cualquier avería.
3. No exponga esta unidad a rayos de sol o unidad calorica como radiadores o estufas.
4. Esta unidad debe limpiarse solo con un paño húmedo. Evite disolventes u otros productos detergentes.
5. Al trasladar el equipo, utilice la caja original y su embalaje. esto reducirá el riesgo de daños durante el transporte.
6. **NO EXPONGA ESTA UNIDAD A LLUVIA O ROCIO.**
7. **NO USE LIMPIADORES DE SPRAY O LUBRICANTES EN LOS CONTROLES, SUPERFICIES O INTERRUPTORES.**

EN USA ~ SI USTED TIENE PROBLEMAS CON ESTA UNIDAD
LLAME A ATENCIÓN AL CLIENTE GEMINI EN: 1 (732) 346-0061. NO
INTENTE DEVOLVER EL EQUIPO A SU DISTRIBUIDOR.

CONNECTIONS:

1. - El **PS-121x** tiene **2** salidas estéreo en la parte trasera:
 - La **SALIDA MASTER POR RCA** (2) conecta el mezclador con el amplificador principal usando cables de audio estándar de **RCA**.
2. Los auriculares pueden conectarse en la parte frontal en la entrada **AURICULARES** (5) jack 1/4" .
3. El micrófono puede conectarse en la entrada trasera **MICROFONO** (6) jack 1/4" .
4. El **PS-121x** tiene **2 PHONO y 2 LINE (PH/LN)** (7) en el panel trasero.

Las entradas **RCA** de su izquierda son para **PH 2/Line 2** Conecta los **RCA's** de tu fuente de sonido en cada entrada para conectarlos a los respectivos **CANALES (CH)**. Las entradas de **PH** (7) solo aceptan giradiscos con cápsula magnética. Las entradas **ESTEREO LN** (7) solo aceptan unidades de nivel de línea como **CD, DAT, Mini Disc**, etc y requieren su correcto ajuste.

7. Cuando utilice giradiscos, necesitará conectar la masa de los cables **RCA** (s) atornillándolo a la toma **TORNILLO DE MASA** (4) en el panel trasero de la **PS-121x**. Conecta cada toma de masa con el **TORNILLO DE MASA** (4). Este está directamente encima de la toma de **MICROFONO** (3).

NOTA: AL USAR GIRADISCOS SIN CONECTAR LA MASA PUEDE NOTAR RUIDO DE FONDO

1. Una vez todas sus conexiones están hechas, encienda el mezclador con el **INTERRUPTOR GENERAL** (1).

2. **CH 1:** Para escuchar este canal por la salida (**PGM**), debe primero decidir que línea va a utilizar. Use el **LN SWITCH** (6) para elegir entre **PH 1- LN 1** en ese canal. Una vez seleccionado la línea deseada, suba lentamente el **CONTROL DESLIZANTE CH1** (15) hasta un nivel confortable. Puede luego modificar el sonido de la salida utilizando los controles de **GANANCIA** (8), **AGUDOS** (9), **GRAVES** (10) en la parte superior del **CONTROL DESLIZANTE CH1** (15).

3. **CH 2:** Para escuchar este canal por la salida (**PGM**), debe primero decidir que línea va a utilizar. Use el **LN SWITCH** (6) para elegir entre **PH 2- LN 2** en ese canal. Una vez seleccionado la línea deseada, suba lentamente el **CONTROL DESLIZANTE CH2** (15) hasta un nivel confortable. Puede luego modificar el sonido de la salida utilizando los controles de **GANANCIA** (8), **AGUDOS** (9), **GRAVES** (10) en la parte superior del **CONTROL DESLIZANTE CH2** (15).

NOTA: PARA UNA OPTIMA REPRODUCCION EMPIECE EL PROGRAMA CON LOS CONTROLES DE GANANCIA () AL MINIMO.(GIRE EN SENTIDO CONTRARIO AL RELOJ HASTA EL TOPE). REALICE TODOS LOS AJUSTES DE SONIDO CON LA AYUDA DEL CONTROL DESLIZANTE DE CANAL Y EL CONTROL GENERAL DE VOLUMEN ROTATIVO. ESTO EVITARÁ DISTORSIONES Y EXCESOS DE SEÑAL. UNA VEZ MODIFICADO EL AJUSTE TONAL DEL SONIDO, PUEDE AUMENTAR LA SALIDA DE SEÑAL CON EL CONTROL DE GANANCIA SI ES NECESARIO.

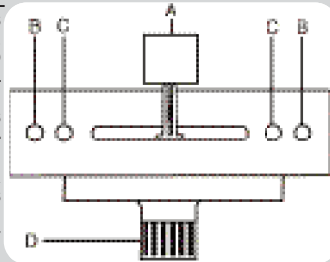
5. **CUE:** Conectando unos auriculares a la toma **AURICULARES** (5) puede monitorizar uno o todos los canales.

Use el **CONTROL DE VOLUMEN CUE** (13) para ajustar el nivel de **CUE** sin cambiar el de mezcla. Girando el **CUE 1/2 ROTARY CONTROL** (14) al contrario del reloj podrá elegir que señal quiere monitorizar.

6. **SECCION CROSS FADER:** El **CROSS FADER** (16) permite mezclar de una fuente a otra. El **CROSS FADER** (16) en esta unidad es reemplazable y puede hacerse de forma sencilla. También está disponible el **RG-45 DUAL-RAIL CROSS FADER Y EL RG-45 Pro (RAIL GLIDE Pro™)**. El **Rg-45** incorpora un tacto mas firme y una curva suave especial para mezclar, mientras que el **RG-45Pro** esta especialmente diseñada para hacer scratch. Simplemente compre uno a su distribuidor **Gemini** y siga las instrucciones:

CROSS FADER REEMPLAZABLE

1. DESATORNILLE LA CARATULA QUE HAY EN LA PARTE INFERIOR DEL MEZCLADOR. quite los botones de los faders y la caratula.
2. quite los tornillos del fader (B) sin tocar los tornillos interiores (C). quite con cuidado el viejo cross fader y desconecte el cable (D).
3. conecte el nuevo cross fader en el cable (D) y introduzcalo en el mezclador.
4. atornille el cross fader al mezclador con los tornillos de la platina (B).
5. coloque la caratula y atornille al mezclador.



NOTA: NO APLIQUE PRESION CUANDO UTILICE EL CROSS FADER (46). SOLO DESLICE EL CROSSFADER A UN LADO Y OTRO. PRESIONAR PUEDE DOBLAR LAS PISTAS Y CAUSAR PERDIDAS DE SONIDO.

7. **SELECTOR DE SALIDA:** Una vez haya ajustado a su elección el nivel de su música, puede ajustar el volumen general con **MASTER** (11).

8. **SECCION MIC:** Conecte su micrófono en la entrada **MIC 1/4"** (3) en el panel trasero.

9. **"Ipod Friendly" Cable:** Para conectar su iPod u otro reproductor digital, use el cable incluido para iPod. Conecte el extremo del cable con jack 1/8" a la salida de auriculares de su reproductor, y los RCA a la entrada de línea (7) de su mezclador.

ESPECIFICACIONES:

ENTRADAS:

Phono.....3 mV, 47 KOhm
 Line.....150 mV, 27 KOhm
 MIC.....1.5 mV, 1 KOhm Balanced

SALIDAS:

Max.....20V Peak-to-Peak

GENERAL:

Respuesta en frecuencia.....20Hz - 20KHz +/- 2 dB
 Distorsión.....< 0.02%
 Relación S/NMayor de 80 dB
 Impedancia Auriculares.....16 Ohm
 Alimentación.....AC 15v 500 mA
 Dimensiones.....6.5" x 3.3" x 10"
(165 x 84 x 254 mm)
 Peso.....2.5 lbs (1.2 kg)

ESPECIFICACIONES SUJETAS A VARIACION SIN PREVIO AVISO.



MULTI LANGUAGE INSTRUCTIONS

ENGLISH.....	PAGE 1-4
DEUTSCH.....	PAGE 5-7
ESPAÑOL.....	PAGE 8-10
FRANCAIS.....	PAGE 11-13

PLEASE READ BEFORE USING APPLIANCE, IMPORTANT WARNING & SAFETY INSTRUCTIONS!



CAUTION
RISK OF ELECTRICAL SHOCK DO NOT OPEN!



CAUTION: This product satisfies FCC regulations when shielded cables and connectors are used to connect the unit to other equipment. To prevent electromagnetic interference with electric appliances such as radios and televisions, use shielded cables and connectors for connections.

The exclamation point within an equilateral triangle is intended to alert the user to the presence of important operating and maintenance (servicing) instructions in the literature accompanying the appliance.

The lightning flash with arrowhead symbol, within an equilateral triangle, is intended to alert the user to the presence of uninsulated "dangerous voltage" within the product's enclosure that may be of sufficient magnitude to constitute a risk of electric shock to persons.

READ INSTRUCTIONS: All the safety and operating instructions should be read before the product is operated.

RETAIN INSTRUCTIONS: The safety and operating instructions should be retained for future reference.

HEED WARNINGS: All warnings on the product and in the operating instructions should be adhered to.

FOLLOW INSTRUCTIONS: All operating and use instructions should be followed.

CLEANING: The product should be cleaned only with a polishing cloth or a soft dry cloth. Never clean with furniture wax, benzene, insecticides or other volatile liquids since they may corrode the cabinet.

ATTACHMENTS: Do not use attachments not recommended by the product manufacturer as they may cause hazards.

WATER AND MOISTURE: Do not use this product near water, for example, near a bathtub, wash bowl, kitchen sink, or laundry tub; in a wet basement; or near a swimming pool; and the like.

ACCESSORIES: Do not place this product on an unstable cart, stand, tripod, bracket, or table. The product may fall, causing serious injury to a child or adult, and serious damage to the product. Use only with a cart, stand, tripod, bracket, or table recommended by the manufacturer, or sold with the product. Any mounting of the product should follow the manufacturer's instructions, and should use a mounting accessory recommended by the manufacturer.

CART: A product and cart combination should be moved with care. Quick stops, excessive force, and uneven surfaces may cause the product and cart combination to overturn. See Figure A.

VENTILATION: Slots and openings in the cabinet are provided for ventilation and to ensure reliable operation of the product and to protect it from overheating, and these openings must not be blocked or covered. The openings should never be blocked by placing the product on a bed, sofa, rug, or other similar surface. This product should not be placed in a built-in installation such as a bookcase or rack unless proper ventilation is provided or the manufacturer's instructions have been adhered to.

POWER SOURCES: This product should be operated only from the type of power source indicated on the marking label. If you are not sure of the type of power supply to your home, consult your product dealer or local power company.

LOCATION: The appliance should be installed in a stable location.

NON-USE PERIODS: The power cord of the appliance should be unplugged from the outlet when left unused for a long period of time.

GROUNDING OR POLARIZATION:

• If this product is equipped with a polarized alternating current line plug (a plug having one blade wider than the other), it will fit into the outlet only one way. This is a safety feature. If you are unable to insert the plug fully into the outlet, try reversing the plug. If the plug should still fail to fit, contact your electrician to replace your obsolete outlet. Do not defeat the safety purpose of the polarized plug.

• If this product is equipped with a three-wire grounding type plug, a plug having a third (grounding) pin, it will only fit into a grounding type power outlet. This is a safety feature. If you are unable to insert the plug into the outlet, contact your electrician to replace your obsolete outlet. Do not defeat the safety purpose of the grounding type plug.

POWER-CORD PROTECTION: Power-supply cords should be routed so that they are not likely to be walked on or pinched by items placed upon or against them, paying particular attention to cords at plugs, convenience receptacles, and the point where they exit from the product.

OUTDOOR ANTENNA GROUNDING: If an outside antenna or cable system is connected to the product, be sure the antenna or cable system is grounded so as to provide some protection against voltage surges and built-up static charges. Article 810 of the National Electrical Code, ANSI/NFPA 70, provides information with

regard to proper grounding of the mast and supporting structure, grounding of the lead-in wire to an antenna discharge unit, size of grounding conductors, location of antenna-discharge unit, connection to grounding electrodes, and requirements for the grounding electrode. See Figure B.

LIGHTENING: For added protection for this product during a lightning storm, or when it is left unattended and unused for long periods of time, unplug it from the wall outlet and disconnect the antenna or cable system. This will prevent damage to the product due to lightning and power-line surges.

POWER LINES: An outside antenna system should not be located in the vicinity of overhead power lines or other electric light or power circuits, or where it can fall into such power lines or circuits. When installing an outside antenna system, extreme care should be taken to keep from touching such power lines or circuits as contact with them might be fatal.

OVERLOADING: Do not overload wall outlets, extension cords, or integral convenience receptacles as this can result in a risk of fire or electric shock.

OBJECT AND LIQUID ENTRY: Never push objects of any kind into this product through openings as they may touch dangerous voltage points or short-out parts that could result in a fire or electric shock. Never spill liquid of any kind on the product.

SERVICING: Do not attempt to service this product yourself as opening or removing covers may expose you to dangerous voltage or other hazards. Refer all servicing to qualified service personnel.

DAMAGE REQUIRING SERVICE: Unplug this product from the wall outlet and refer servicing to qualified service personnel under the following conditions:

- When the power-supply cord or plug is damaged.
- If liquid has been spilled, or objects have fallen into the product.
- If the product has been exposed to rain or water.
- If the product does not operate normally by following the operating instructions. Adjust only those controls that are covered by the operating instructions as an improper adjustment of other controls may result in damage and will often require extensive work by a qualified technician to restore the product to its normal operation.
- If the product has been dropped or damaged in any way.
- When the product exhibits a distinct change in performance, this indicates a need for service.

REPLACEMENT PARTS: When replacement parts are required, be sure the service technician has used replacement parts specified by the manufacturer or have the same characteristics as the original part. Unauthorized substitutions may result in fire, electric shock, or other hazards.

SAFETY CHECK: Upon completion of any service or repairs to this product, ask the service technician to perform safety checks to determine that the product is in proper operating condition.

WALL OR CEILING MOUNTING: The product should not be mounted to a wall or ceiling.

HEAT: The product should be situated away from heat sources such as radiators, heat registers, stoves, or other products (including amplifiers) that produce heat.



Fig. A

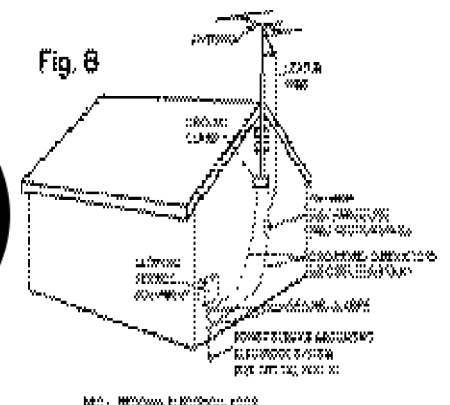


Fig. B



INTRODUCTION:

Nos félicitations pour votre achat de la **console de mixage Gemini PS-121x**. Cette console de mixage a été conçue grâce aux dernières avancées technologiques et dispose d'une garantie de **1 an (France: 2 ans)**, à l'exception du **cross-fader** dont la garantie est de **90 jours**. Avant toute utilisation, merci de lire attentivement les instructions de ce manuel.

CARACTERISTIQUES:

- Console de mixage stéréo 2 voies au format 6,5 pouces
- 2 entrées ligne et 2 entrées phono (Connecteurs RCA)
- Sortie générale (master) en RCA
- Entrée microphone
- Vis de terre pour platine vinyles

FACE AVANT:

- Cross-fader type rail glide interchangeable
- Correction deux bandes avec coupure totale et gain par voie
- Contrôle rotatif du volume de pré-écoute
- Le volume de Maître de signal rotatif contrôle et le Contrôle de Volume Mic
- Sortie casque réglable en face avant

AVERTISSEMENTS:

1. Toutes les instructions de fonctionnement doivent être lues avant l'utilisation de l'appareil.

2. Afin de réduire le risque de choc électrique, n'ouvrez pas l'appareil. En cas de problème, contactez votre revendeur ou le Service Après Vente de GCI Technologies France.

3. Ne pas exposer directement cet appareil aux rayons du soleil ou à une source de chaleur, telle qu'un radiateur ou un poêle.

4. Cet appareil doit être exclusivement nettoyé avec un chiffon légèrement humide. Proscrire solvants et autres détergents.

5. Lors du déplacement du matériel, celui-ci doit être emballé dans son carton d'origine avec ses coquilles de protection. Ceci limitera les risques de dégâts lors de tout transport.

6. NE PAS EXPOSER CET APPAREIL A LA PLUIE OU A L'HUMIDITÉ

7. N'UTILISEZ PAS DE PRODUIT DE NETTOYAGE OU LUBRIFIANT EN VAPORISATEUR SUR AUCUN DES BOU-

CONNEXIONS:

TONS OU INTERRUPTEUR

1. La **PS-121x** possède une sortie générale située en face arrière. Cette sortie générale **MASTER RCA OUTPUT** () sert à relier la console à l'amplificateur de puissance via une connexion de type RCA.

2- La **PS-121x** possède deux entrées phono et 2 entrées ligne situées en face arrière ().

3. Le casque se connecte au Jack 6.35mm **HEADPHONE**

4. L'entrée **MICROPHONE**, au format Jack 6.35mm, se trouve en face avant ().

6. Sur la panneau arrière de la **PS-121x** se trouvent deux entrées en RCA phono ou ligne. Le canal de gauche est concerné par les entrées (**PH1/LINE1**) et le canal de droite est concerné par les entrées (**PH2/LINE2**). Les entrées phono n'acceptent que des platines vinyles équipées d'une cellule magnétique. Les entrées ligne acceptent tous les autres types de source: **CD, DAT, Mini-Disc, etc...**

7. Une vis de terre pour mise à la masse est située sur le panneau arrière (9). Elle est obligatoire pour l'utilisation des platines vinyles. Ne pas brancher la masse des platines vinyles provoquera un bourdonnement lors de l'écoute.

1. Une fois tous les branchements effectués, appuyez sur **POWER**(1) pour la mise sous tension.

2. **CANAL 1** : Sélectionnez la source désirée. Le commutateur **LN SWITCH** (6) vous permet de sélectionner **PH1 (Phono1)** ou **LN2 (Ligne 2)**. Afin de contrôler la source choisie, poussez progressivement le potentiomètre du canal **CH1** au niveau voulu. Vous pouvez intervenir sur le son grâce aux commandes **GAIN** (9), **HIGH/AIGU** (10) et **LOW/BASSE** (15). Ces contrôleurs rotatifs se trouvent au dessus du potentiomètre du canal **CH1** ().

3. **CANAL 2** : Sélectionnez la source désirée. Le commutateur **LN SWITCH** () vous permet de sélectionner la source choisie, poussez progressivement le potentiomètre du canal **CH 2** au niveau voulu. Vous pouvez intervenir sur votre son grâce aux commandes **GAIN** (8), **HIGH/AIGU** (9) et **LOW/BASSE** (10). Ces contrôleurs rotatifs se trouvent au dessus du potentiomètre du canal **CH2** (15).

NOTE: CHAQUE CANAL DISPOSE D'UNE EGALISATION SEPARÉE BASSE ET AIGU, AVEC UNE TRÈS GRANDE PLAGE DE REGLAGES, CE QUI VOUS PERMETTRA D'OPTIMISER AU MIEUX VOTRE SON. AFIN D'ÉVITER TOUTE SATURATION, VEUILLEZ AJUSTER CHACUNE DE VOS ENTRÉES GRÂCE AU CONTRÔLE ROTATIF DE GAIN.

4. Pré-écoute "**CUE**": En branchant votre casque au Jack 6.35mm **HEADPHONE** (5), vous pouvez écouter le canal 1 ou le canal 2. Utilisez le potentiomètre rotatif () afin de sélectionner le **canal 1 (CH1)** ou le **canal 2 (CH2)**.

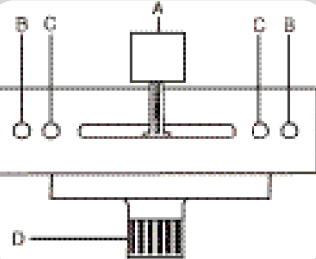
Ajustez le volume du casque dans la section préécoute **CUE** grâce au contrôle rotatif **CUE VOLUME CONTROL** (13) et ceci sans affecter le mélange global de la sortie générale

5 SECTION CROSS-FADER: Le **CROSS-FADER** permet de passer d'une source à une autre. Celui-ci est amovible et remplaçable par l'utilisateur. Vous pouvez aussi équiper votre console de mixage d'un cross-fader **RG-45 (RAIL GLIDE™)** possédant une courbe progressive particulièrement adaptée au mixage, ou alors d'un cross-fader **RG-45 Pro (RAIL GLIDE Pro™)** possédant une courbe et une coupure très raide, plus appropriées au scratch. Ces pièces sont disponibles auprès de tout revendeur agréé **Gemini**. Afin de procéder au changement du cross fader, veuillez respecter les intructions suivantes:

NOTE: VEUILLEZ MANIPULER LE CROSS FADER DE GAUCHE À DROITE SANS EXERCER DE PRESSIONS INUTILES SUR CELUI-CI. UNE UTILISATION TROP BRUTALE DU CROSS-FADER ENTRAÎNERAIT DES PROBLÈMES DE CONTACT ÉLECTRONIQUE PROVOQUANT DES COUPURES DE SON.

CROSS FADER INTERCHANGEABLE

1. DEVISSEZ LES VISSÉS DE LA FACE AVANT SUR LA PARTIE EXTERNE GAUCHE ET DROITE DU MIXEUR ET ENLEVEZ LE CAPUCHON DU CROSS FADER (A)
2. DEVISSEZ LES VISSÉS EXTERNES DE LA PLAQUE DU CROSS FADER (B ET C) ET SOULEVEZ-LE DÉLICATEMENT AFIN DE DÉBRANCHER LE CABLE (D).
3. BRANCHEZ LE NOUVEAU CROSS FADER AU CABLE (D) ET REMPLACEZ-LE À L'INTÉRIEUR DU MIXEUR.
4. REVISSEZ LES VISSÉS EXTERNES (B ET C).
5. REPOSITONNEZ LA FACE AVANT ET REMPLACEZ LES VISSÉS DE FIXATION



6. SECTION OUTPUT CONTROL: Le niveau **MASTER** est ajustable par le bouton rotatif **MASTER** (11).

7. SECTION MICROPHONE: Reliez votre microphone au Jack 6.35mm (3) situé à l'arrière de la console de mixage.

8. "IPOD Friendly": Pour connecter votre iPod ou tout autre baladeur numérique, utilisez le cordon iPod livré avec l'appareil. Branchez le connecteur mini-Jack 3.5mm à la sortie casque ou ligne de votre baladeur, puis reliez l'extrémité RCA à l'entrée ligne (7) de votre console de mixage.'

CARACTÉRISTIQUES TECHNIQUES:

ENTRÉES:

Phono.....3 mV, 47 KOhms
Ligne.....150 mV, 27 KOhms
Microphone.....1.5 mV, 1 KOhm Balanced (Symétrique)

SORTIE:

Max.....20V Crête/Crête

CARACTÉRISTIQUES GÉNÉRALES:

Bande passante.....20Hz - 20KHz +/- 2 dB
Distorsion.....< 0.02%
Rapport Signal/Bruit.....>80 dB
Impédance casque.....16 Ohm
Alimentation externe.....AC 15v 500mA
SDimensions.....10" x 3.3" x 11.9"
.....(254 x 84 x 303mm)
Poids.....6.93 lbs (3.15 kgs)

DANS LE CADRE D'UN SOUCI CONSTANT D'AMÉLIORATION DE NOS PRODUITS, LES SPÉCIFICATIONS ET CARACTÉRISTIQUES TECHNIQUES PEUVENT ÊTRE MODIFIÉES SANS PRÉAVIS.

gemini®

gemini[®]

**IN THE USA: IF YOU EXPERIENCE PROBLEMS
WITH THIS UNIT, CALL 1-732-346-0061 FOR GEMINI
CUSTOMER SERVICE. DO NOT ATTEMPT TO RETURN
THIS EQUIPMENT TO YOUR DEALER.**

Parts of the design of this product may be protected by worldwide patents. Information in this manual is subject to change without notice and does not represent a commitment on the part of the vendor. Gemini Sound Products Corp. shall not be liable for any loss or damage whatsoever arising from the use of information or any error contained in this manual. No part of this manual may be reproduced, stored in a retrieval system or transmitted, in any form or by any means, electronic, electrical, mechanical, optical, chemical, including photocopying and recording, for any purpose without the express written permission of Gemini Sound Products Corp. It is recommended that all maintenance and service on this product is performed by Gemini Sound Products Corp. or its authorized agents. Gemini Sound Products Corp. will not accept liability for loss or damage caused by maintenance or repair performed by unauthorized personnel.



**Worldwide Headquarters • 1 Mayfield Ave, Edison, NJ 08837 • USA
Tel: (732) 346-0061 • Fax: (732) 346-0065**

France • GCI Technologies S.A.R.L. • 1, Allée d'Effiat, Parc de l'événement, 91160 Longjumeau, France
Tél: + 33 1 69 79 97 70 • Fax: + 33 1 69 79 97 80

Germany • Gemini Sound Products GmbH • Lerchenstrasse 14, Haus 3 – 1. Stock, 80995 München, Germany
Tel: 49 (0) 89 319 019 80 • Fax: 08131 - 39171-9

UK • Gemini Sound Products • 44 The Brambles Enterprise Centre, PO7 7TH Waterlooville, UK
Tel: 087 087 00880 • Fax: 087 087 00990

Spain • Gemini Sound Products S.A. • Rosello, 516, 08026 Barcelona, Spain,
Tel: 349-3435-0814 • Fax: 3493-347-6961

© Gemini Sound Products Corp. 2004 All Rights Reserved.