



Undercounter Dishwasher

Installation Instructions



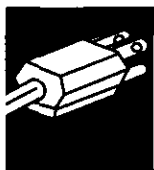
What do I need to have to install the dishwasher?

- Tools, parts & materials 1-2
- Requirements 3-6
- Dishwasher dimensions Back cover
- Customize dishwasher Back cover



What do I need to do before I install the dishwasher?

- Prepare cabinet 7-12
- Prepare dishwasher 13-16



How do I install the dishwasher?

- Connect dishwasher 17-20
- Secure dishwasher 21
- Check operation 22

Important:

Read and save these instructions.

Doing so will:

- make installation easier.
- help you in the future if you have questions.
- help if you have an electrical inspection.

Call your Sears store or service center when you have questions or need service. When you call, you will need the dishwasher model and serial numbers.

Your safety and the safety of others is very important.

We have provided many important safety messages in this manual and on your appliance. Always read and obey all safety messages.



This is the safety alert symbol. This symbol alerts you to hazards that can kill or hurt you and others. All safety messages will be preceded by the safety alert symbol and the word "DANGER" or "WARNING". These words mean:

DANGER

You will be killed or seriously injured if you don't follow instructions.

WARNING

You can be killed or seriously injured if you don't follow instructions.

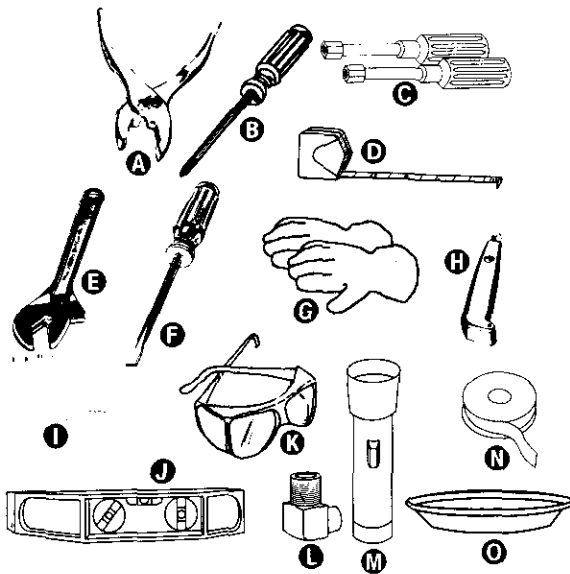
All safety messages will identify the hazard, tell you how to reduce the chance of injury, and tell you what can happen if the instructions are not followed.

You need to:

- ✓ **carefully open dishwasher door while someone grasps the rear of the dishwasher.** Remove shipping materials, drain hose and lower rack. Close dishwasher door. Latch the dishwasher door shut.
- ✓ observe all governing codes and ordinances.
- ✓ install this dishwasher as specified in these instructions.
- ✓ have everything you need to properly install dishwasher.
- ✓ contact a qualified installer to insure that dishwasher is installed to meet all electrical and plumbing national and local codes and ordinances.

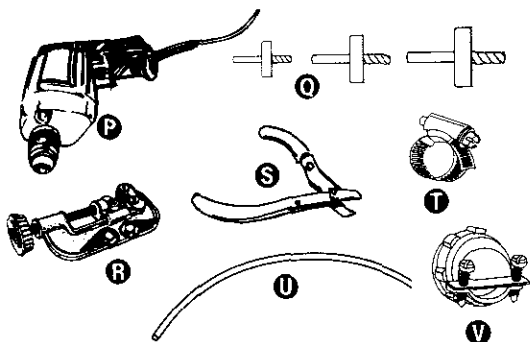
Tools and materials needed

All installations



- A. pliers
- B. Phillips screwdriver
- C. 5/16" and 1/4" nut drivers or hex sockets
- D. measuring tape or ruler
- E. 10" adjustable wrench that opens to 1-1/8" (2.9cm)
- F. flat-blade screwdriver
- G. gloves
- H. utility knife
- I. 2 twist-on wire connectors which are the proper size to connect your household wiring to 16-gauge wiring in dishwasher
- J. small level
- K. safety glasses
- L. 90° elbow with 3/8" N.P.T. external threads on one end. (The other end must fit your water supply line.)
- M. flashlight
- N. Teflon™ tape or pipe joint compound
- O. shallow pan

In addition for new installations



- P. electric drill with 1/2", 3/4" and 1-1/2" hole saw bits
- Q. 1/2", 3/4" and 1-1/2" hole saw bits
- R. small tubing cutter
- S. wire stripper
- T. 1-1/2"-2" screw-type clamp if connecting to waste-tee
- U. copper tubing (3/8" recommended)
- V. clamp connector or conduit connector to fit a 7/8" (2.2cm) diameter hole

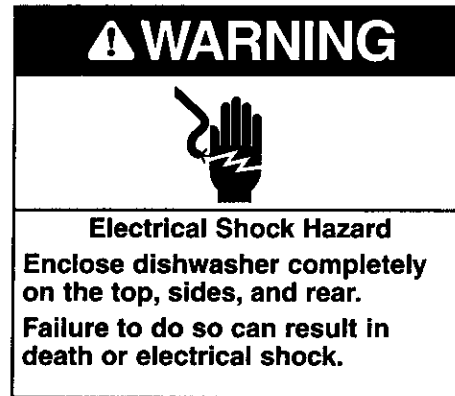
Parts supplied

- A. 2 drain hose clamps
- B. 2 No. 10 x 1/2" Phillips-head screws
- C. drain hose

Make sure all these parts are included. See parts list for accessories available for your dishwasher.



Cabinet opening



Do not run water or drain lines or electrical wiring where they can cross in front of or contact dishwasher motor or legs.

The location must provide 1/4" (.64cm) minimum clearance between motor and flooring to prevent motor overheating.

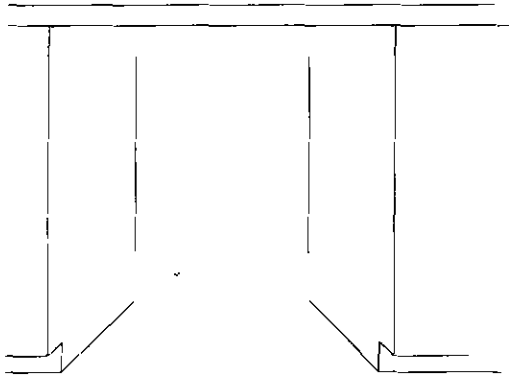
Do not install dishwasher over carpeted flooring.

Protect dishwasher and water lines leading to dishwasher against freezing. Damage from freezing is not covered by the warranty.

A side panel kit is available from your Sears store or service center for installing your dishwasher at end of cabinet.

Check location where dishwasher will be installed. The location must provide:

- ✓ easy access to water, electricity and drain.
- ✓ convenient loading. Corner locations require a 2" (5.1cm) minimum clearance between the side of the dishwasher door and wall or cabinet.
- ✓ square opening for proper operation and appearance.



- ✓ cabinet front perpendicular to floor.
- ✓ level floor. (If floor at front of opening is not level with floor at rear of opening, shims may be needed to level dishwasher.)

If dishwasher will be left unused for a period of time or in a location where it may be subject to freezing, follow "Winterizing" instructions in Use and Care Guide.

Make sure pipes, wires and drain hose are **within the shaded area**. See Page 7 for dimensions.

HELPFUL TIP:

If the floor in the dishwasher opening is uneven (example: tile flooring only part way into opening) you will need to take special care in measuring dimensions and in leveling dishwasher.

Electrical

It is the customer's responsibility:

To contact a qualified electrician.

To assure that the electrical installation is adequate and in conformance with all national and local codes and ordinances.

You must have:

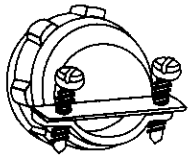
- ✓ 120-volt, 60-Hz, AC-only, 15- or 20-amp., fused electrical supply.
- ✓ COPPER WIRE ONLY.

We recommend:

- ✓ a time-delay fuse or circuit breaker.
- ✓ a separate circuit.

If direct wiring dishwasher:

- ✓ use flexible, armored or non-metallic sheathed, copper wire with grounding wire that meets the wiring requirements for your home and local codes and ordinances.
- ✓ use strain relief method provided with house wiring junction box or install a U.L.-listed/CSA-certified clamp connector to the house wiring junction box. If using conduit, use a U.L.-listed/CSA-certified conduit connector.

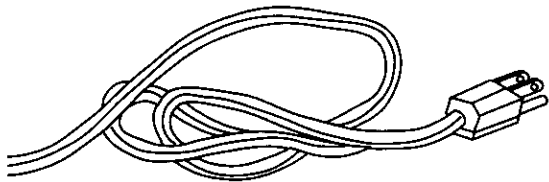


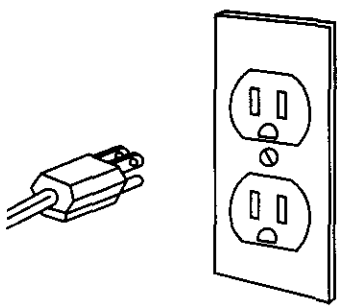
If connecting dishwasher with a power supply cord:

- ✓ use Power Supply Cord Kit (Part No. 4317824) available from your Sears store or service center. Follow the kit instructions for installing the power supply cord.

If kit is unavailable, use a U.L.-listed, 16-gauge, three-conductor power supply cord that meets all local codes and ordinances. Maximum length of the power supply cord is 6 feet (1.8m).

- ✓ a clamp connector to fit a 7/8" (2.2cm) diameter hole is required to





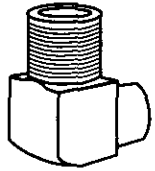
- secure power supply cord to dishwasher terminal box.
- ✓ power supply cord must plug into a mating three-prong, grounded outlet, located in the cabinet next to the dishwasher opening. Outlet must meet all local codes and ordinances.

Water

You must have:

- ✓ a hot water line with 20-125 psi (138-862 kPa) water pressure.
- ✓ 120°F (49°C) water at dishwasher.
- ✓ 3/8" O.D. copper tubing with compression fitting (1/2" minimum plastic tubing is optional but not recommended).
- ✓ a 90° elbow with 3/8" N.P.T. external pipe threads on one end.

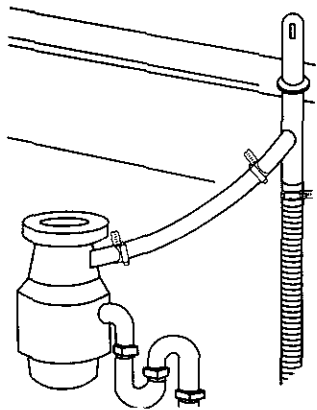
Do not solder within 6" (15.2cm) from water inlet valve.



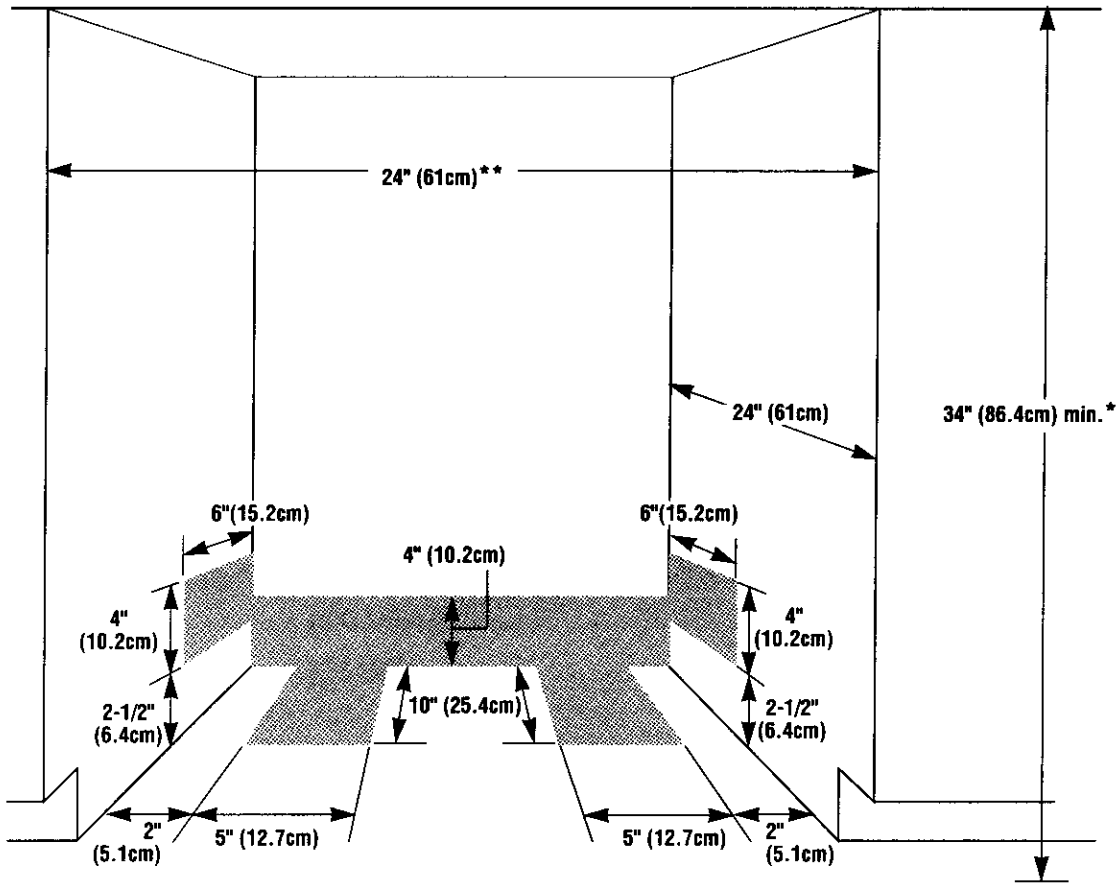
Drain

You must:

- ✓ use a new 12 feet (3.7m) maximum drain hose that meets all current AHAM/IAPMO test standards and is resistant to heat and detergent.
- ✓ have a high drain loop 20 inches (50.8cm) above the subfloor or floor.
- ✓ connect drain hose to waste tee or disposer inlet above drain trap in house plumbing and 20 inches (50.8cm) minimum above the floor.
- ✓ **use an air gap** if the drain hose is connected to house plumbing lower than 20 inches (50.8cm) above subfloor or floor.
- ✓ use 1/2" minimum I.D. drain line fittings.



Installation



Cut openings in shaded area of cabinet walls or floor as specified in chart:

OPENING FOR:	DIAMETER:
water line	1/2" (1.3 cm)
drain line	1-1/2" (3.8 cm)
direct wire	3/4" (1.9 cm)
power supply cord	1-1/2" (3.8 cm)

* Measured from the lowest point on the underside of countertop.

** Minimum, measured from narrowest point of opening.

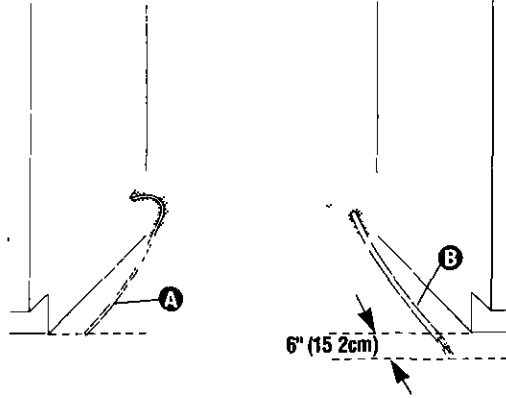
⚠ WARNING

Electrical Shock Hazard
 Disconnect electrical power at the fuse box or circuit breaker box before installing dishwasher. Failure to do so can result in death or electrical shock.

A. Repair cabinet

1. Disconnect the power supply. Turn water off.

2. Put on gloves and safety glasses



If you are replacing a dishwasher:

- ✓ check that the water line **A** reaches to the front left of opening where the water connection will be made
- ✓ check that the direct wire **B** reaches to the front right of opening where the electrical connection will be made

If the water line and the direct wire reach into the opening far enough, go to step 10, page 11.

If you are installing a new dishwasher, complete all of the following steps:

Electrical

Follow all national and local codes and ordinances for completing electrical supply to cabinet.

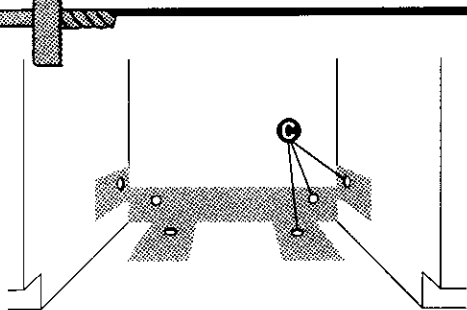
If you are:	use steps:
direct wiring	3, 4 and 5
using a power supply cord	3a and 4a

HELPFUL TIP:

Wiring the dishwasher will be easier if you route wire into the cabinet opening from the right side.

continued on page 9

3.



Direct wire method:

Cut a 3/4" (1.9cm) hole **C** in right-hand cabinet side, rear or floor. Optional locations are shown.

Wood cabinet: Sand hole until smooth.

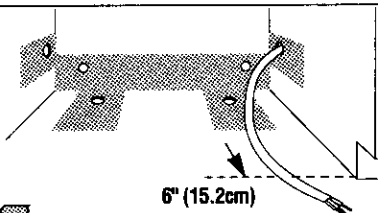
Metal cabinet: Cover hole with Grommet (Part No. 302797) available from your Sears store or service center.

4.



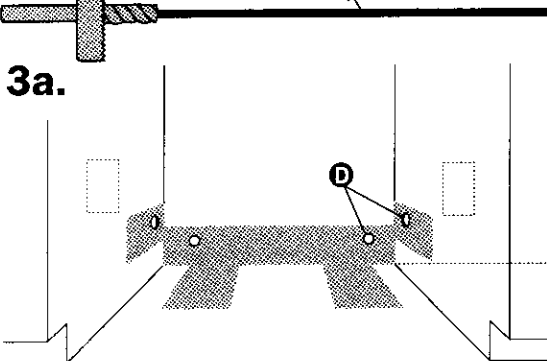
Run wire into house wiring junction box. Use strain relief method provided with junction box. If no strain relief is provided, install a U.L.-listed/CSA-certified clamp connector for flexible-type wire. If installing conduit, attach a U.L.-listed/CSA-certified conduit connector to junction box.

5.



Run other end of wire through cabinet hole. Cable must extend to the right front of cabinet opening. Go to step 6.

3a.



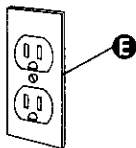
Power supply cord method:

Cut a 1-1/2" (3.8cm) hole **D** in right-hand cabinet rear or side. Optional locations are shown.

Wood cabinet: Sand hole until smooth.

Metal cabinet: Cover hole with Grommet (Part No. 302797) available from your Sears store or service center.

4a.

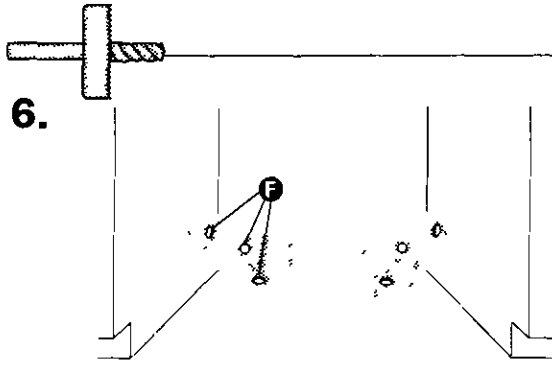


Install a mating, three-prong, grounding-type wall receptacle **E** in the cabinet next to the dishwasher opening. Go to step 6.

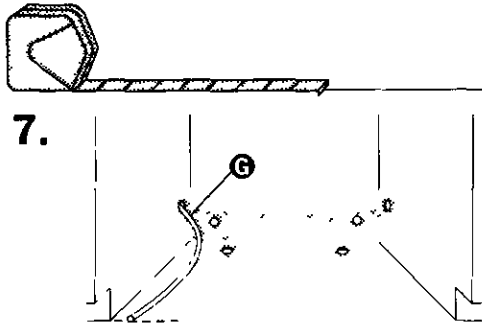
Water line

HELPFUL TIP:

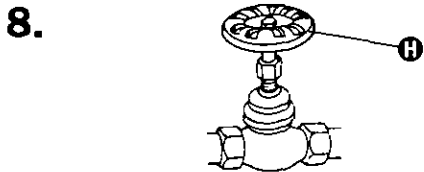
Routing the water line through the left side of cabinet opening will make water connection easier.



Cut a 1/2" (1.3cm) minimum hole **F** in left-hand cabinet side, rear or floor. Optional locations are shown.



Measure overall length of copper tubing **G** required. Attach copper tubing to water line with manual shutoff valve. Carefully feed copper tubing through hole in cabinet (copper tubing will bend and kink easily) until it is far enough into the cabinet opening to connect it to dishwasher inlet on the front left of dishwasher.



Turn shutoff valve **H** to "ON" position. Flush water into a bucket to get rid of particles that may clog the inlet valve.

9. Turn shutoff valve to "OFF" position.

10.



Drain hose

Cut a 1-1/2" (3.8cm) diameter hole in cabinet wall or floor on the side of the opening closest to the sink.

11.

Connect drain hose to waste tee or waste disposer following one method.

If you have:	and:	go to step:
a waste disposer	an air gap	11a.
	no air gap*	11c.
no waste disposer	an air gap	11b.
	no air gap*	11d.

*an air gap is recommended

Waste disposer + air gap

- 1. Remove the disposer knockout plug.**
Cut end of drain hose ① if needed (do not cut ribbed section).
- 2. Attach drain hose to air gap ①** with spring-type clamp ③.
- 3. Use a rubber hose connector* ②** with spring or screw-type clamps* ④ to connect air gap to disposer inlet ⑤.

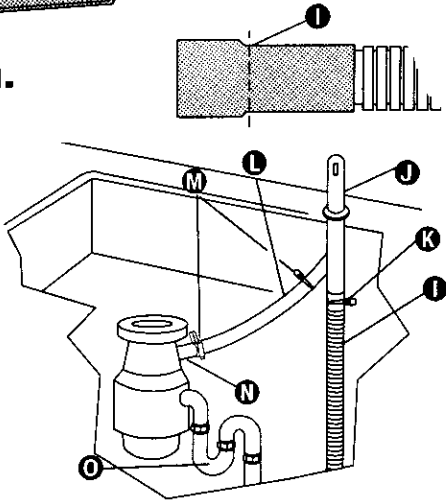
This connection ② **MUST** be before drain trap ⑥ and at least 20" (50.8cm) above the floor where dishwasher will be installed. Go to step 12.

No waste disposer + air gap

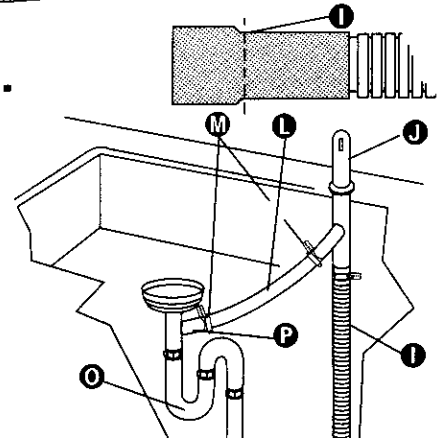
- 1. Cut end of drain hose ①** if needed (do not cut ribbed section).
- 2. Attach drain hose to air gap ①** with 1-1/2"-2" (3.8-5cm) screw clamp.
- 3. Use a rubber hose connector* ②** with spring or screw-type clamps* ④ to connect air gap to waste tee ⑥.

This connection ② **MUST** be before drain trap ⑥ and at least 20" (50.8cm) above the floor where dishwasher will be installed. Go to step 12.

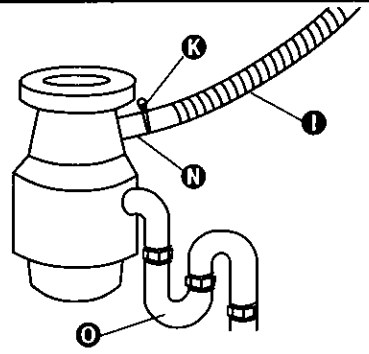
11a.



11b.



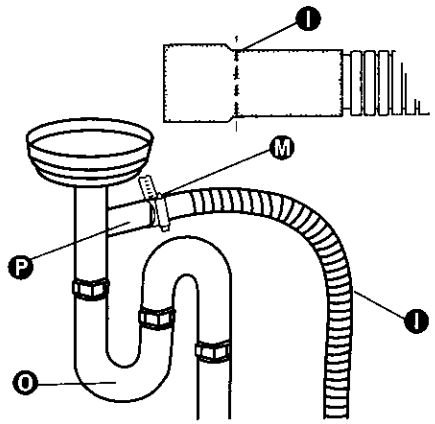
11c.



Waste disposer, no air gap

1. **Remove the disposer knockout plug.**
Do not cut end of drain hose
 2. Attach drain hose 1 to disposer inlet N with spring-type clamp K.
- This connection N MUST be before drain trap O and at least 20" (50.8cm) above the floor where dishwasher will be installed. Go to step 12

11d.



No waste disposer, no air gap

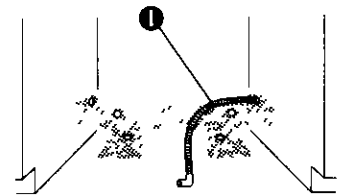
- 1 Cut end of drain hose 1 (do not cut ribbed section)
 - 2 Attach drain hose to waste tee P with 1-1/2-2" (3.8-5cm) screw clamp* M.
- This connection P MUST be before drain trap O and at least 20" (50.8cm) above the floor where dishwasher will be installed. Go to step 12.

* Parts available from local plumbing supply stores.

HELPFUL TIP:

To reduce the vibration of the hose, insert a cloth, putty or caulking compound in hole around drain hose.

12.



Insert drain hose 1 into hole cut in cabinet to the front center of opening where drain connection will be made.

B. Prepare dishwasher

⚠ WARNING



Tip Over Hazard

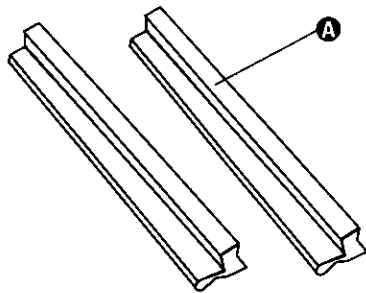
Do not use dishwasher until completely installed.
Do not push down on open door.
Doing so can result in serious injury or cuts.

⚠ WARNING

Excessive Weight Hazard

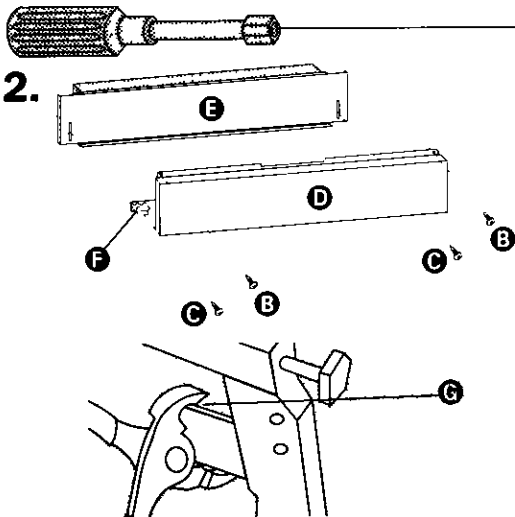
Use two people to move and install dishwasher.
Failure to do so may result in back or other injury.

1.



Put dishwasher corner posts **A** behind dishwasher. Grasp sides of dishwasher door frame and put dishwasher on its back.

2.



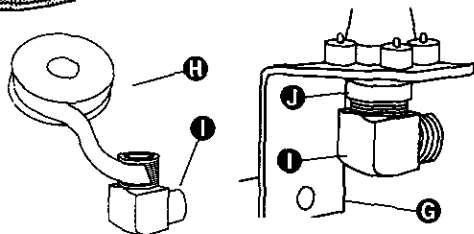
Remove two top screws **B** and two bottom screws **C** attaching access panel **D** and lower panel **E** to dishwasher using a 1/4" hex socket, nut driver or Phillips screwdriver. Remove panels and set panels aside on a protective surface. Check that grounding clip **F** stays attached to access panel.

HELPFUL TIP:

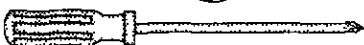
Hold water valve mounting bracket **G** with pliers while attaching elbow to water inlet valve.



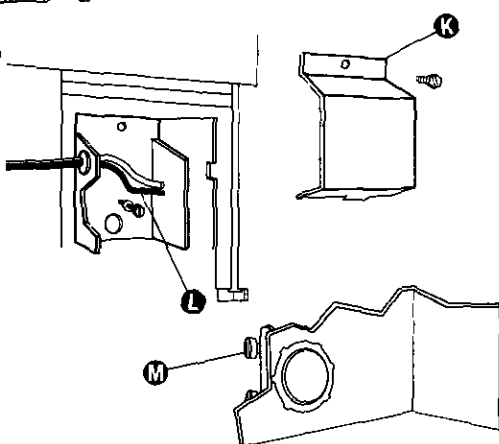
3.



Apply Teflon tape or pipe joint compound **H** to 90° elbow fitting **I** and connect fitting to water inlet valve **J**. Hold bracket **G** with pliers. Tighten elbow until snug, and be sure that it faces to the rear.



4.



Remove terminal box cover **K**. Pull appliance wires **L** through hole in terminal box.

If you are direct wiring: install a U.L.-listed/CSA-certified clamp connector **M** to the terminal box. If using conduit, use a U.L.-listed/CSA-certified conduit connector.

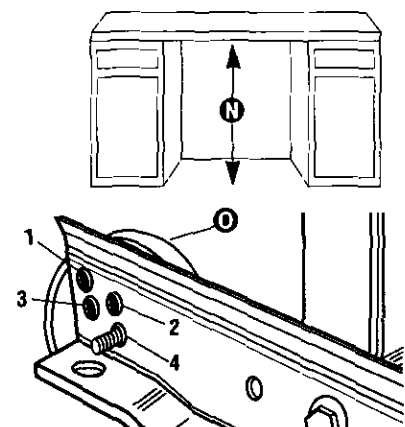
If you are installing a power supply cord kit, do so now and follow kit instructions.

HELPFUL TIP:

Put cardboard under dishwasher until it is installed in cabinet opening. The cardboard will help protect floor covering during installation.



5.



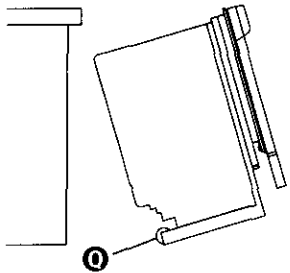
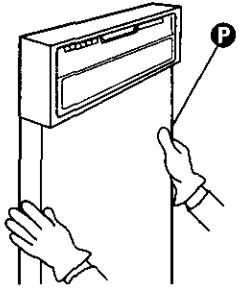
Measure height of cabinet opening from underside of countertop to floor where dishwasher will be installed **N** (you need the lowest point). Check chart for that height opening. Put wheels **O** in the required position.

Min. cutout height	Wheel position (see illustration)
34" (86.4cm)	1
34-1/8" (86.7cm)	2
34-5/16" (87.2cm)	3
34-1/2" (87.6cm)	4

continued on page 15

6. Stand dishwasher upright.

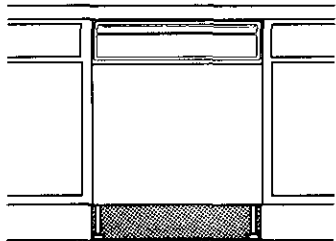
7. Grasp the dishwasher door frame **P**. Tilt dishwasher backwards on wheels **Q**. Move dishwasher close to cabinet opening. Do not push on dishwasher panels or console—they may dent.



8. If dishwasher has a power supply cord, insert power supply cord into hole cut into cabinet.

9. Check that water line is on the left side of opening and drain hose is near the center of opening. If using direct wire, check that it is on the right side of opening.

10. Carefully move dishwasher completely into cabinet opening. **Do not kink or pinch copper tubing, drain hose, power supply cord or direct wire between dishwasher and cabinet.**



Center dishwasher in opening.

11. Remove cardboard from under dishwasher

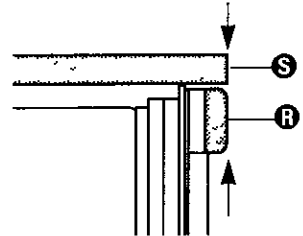
Remove cardboard from under dishwasher

HELPFUL TIP:

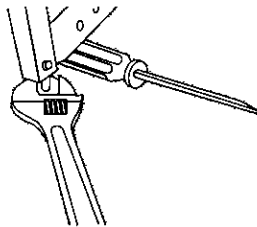
It is okay if dishwasher fits tightly into cabinet opening. Do not remove insulation blanket—it acts as a sound barrier.

12.

side view
vue latérale
vista lateral



Align front of dishwasher console (R) with countertop edge (S). You may need to adjust alignment to look good with your cabinets.

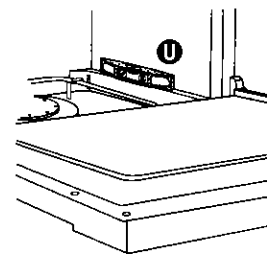


HELPFUL TIP:

Prop up one side of frame to hold dishwasher up off floor when adjusting front legs.

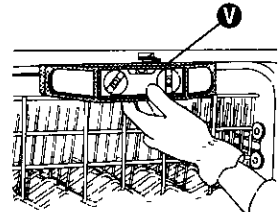
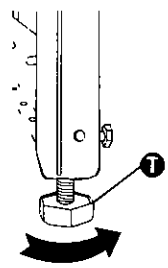


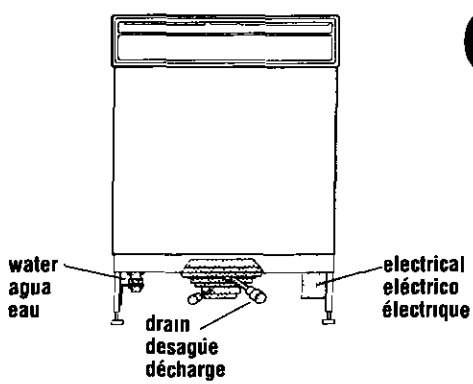
13.



Check that leveling legs (T) are firmly against the floor. Place level on the rack guide (U) on one side of the dishwasher tub. Check that dishwasher is level from front to back. Adjust leveling leg or add shims under rear wheel until dishwasher is level. Repeat for other side of dishwasher.

Place level against top front opening of tub (V). Check that dishwasher is level from side to side. If dishwasher is not level, adjust front legs up or down until dishwasher is level.





C. Connect Dishwasher

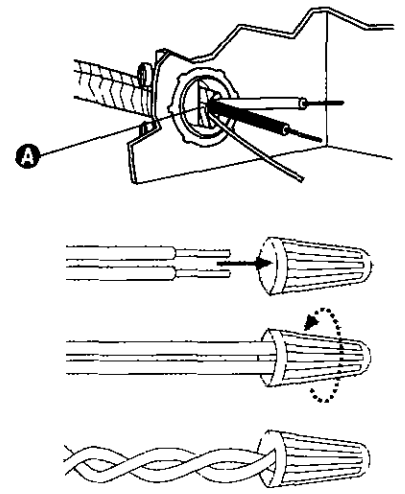
Electrical Connection

Check electrical requirements (see pages 4-6). You need to.

- ✓ have the correct electrical supply and recommended grounding method
- ✓ check that power supply is disconnected

If you are	use steps
direct wiring	1-4
using a power supply cord	1

1.



Direct wire method:

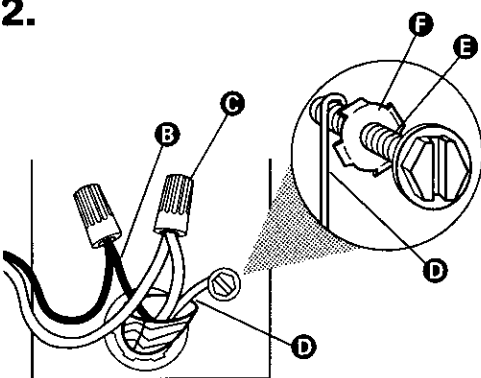
Route direct wire so that it does not touch dishwasher motor or lower part of dishwasher tub. Pull direct wire **A** through hole in terminal box.

HELPFUL TIP:

- Select the proper size twist-on connectors to connect your household wiring to 16-gauge dishwasher wiring.
- Insert wire ends into twist-on connector. Do not pre-twist bare wire.
- Twist connector.
- Gently tug on wires to be sure both are secured.

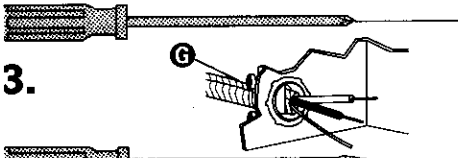
⚠ WARNING

Electrical Shock Hazard
Electrically ground dishwasher. Connect ground wire to green ground connector in terminal box. Do not use an extension cord. Failure to do so can result in death, fire, or electrical shock.

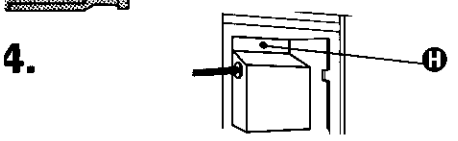


2. Connect the wires **B** as follows using twist-on connectors **C** sized to connect direct wire to 16-gauge dishwasher wire:
 Form bare, ground wire **D** into a U-shaped hook. Wrap ground wire hook clockwise around ground connector **E** and under the washer **F**. Securely tighten ground connector **E**.

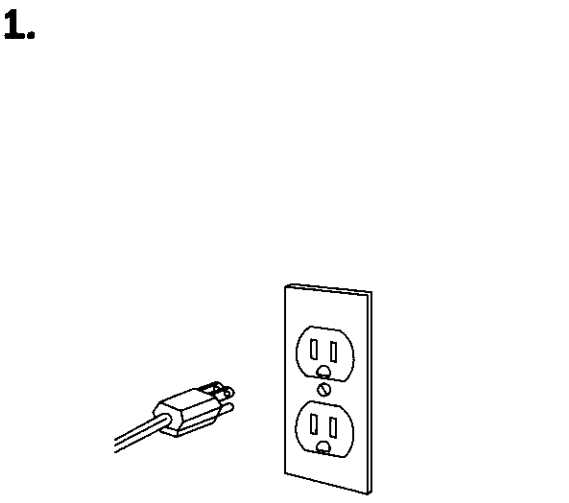
Power supply wire:	Terminal box wire:
white	white
black	black
grounding wire	ground connector



3. Tighten clamp connector or conduit connector screws **G**.



4. Reinstall terminal box cover **H** with wires inside terminal box. Go to step 5.



1. Power supply cord method:

⚠ WARNING

Electrical Shock Hazard
 Plug into a grounded 3 prong outlet.
 Do not remove ground prong.
 Do not use an adapter.
 Do not use an extension cord.
 Failure to follow these instructions can result in death, fire, or electrical shock.

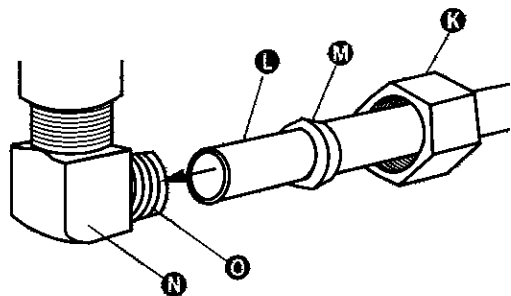
Check that power supply cord does not touch dishwasher motor or lower part of dishwasher tub. Go to step 5.

Water Connection

HELPFUL TIP:

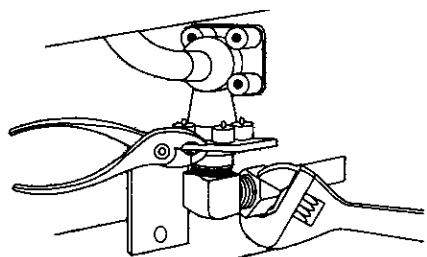
Compression fittings:

1. Slide nut **K** onto copper tubing **L** about 1 inch (2.5cm).
2. Slide ferrule **M** onto the tubing. Do not position ferrule on the end of the tubing.
3. Put the tubing into the elbow **N** as far as it will go.
4. Slide the nut and ferrule forward and start the nut onto the elbow threads **O**. Be careful when handling and positioning the copper tubing. It bends and kinks easily.



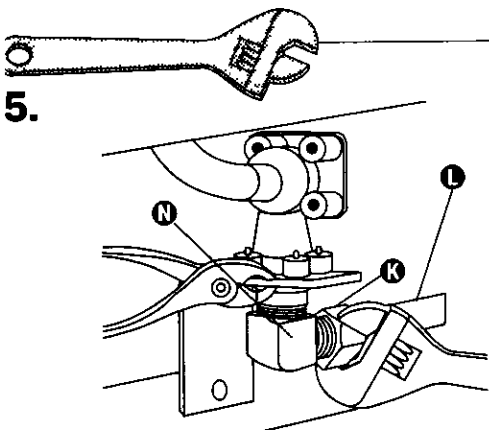
HELPFUL TIP:

Hold water valve mounting bracket with pliers while attaching copper tubing.



To prevent vibration during operation, route the water supply line so that it does not touch the dishwasher base, frame or motor

With copper tubing **L** pushed into compression fitting as far as it will go, use an adjustable wrench and tighten compression fitting nut **K** to elbow **N** on water inlet valve



6.

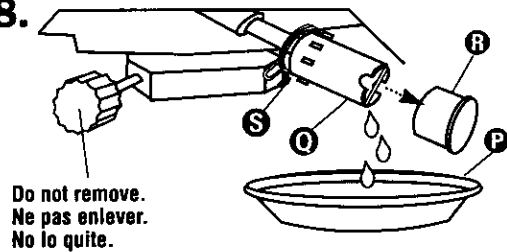
Place paper towel under elbow. Turn on water supply and check for leaks.

Drain Connection

7.

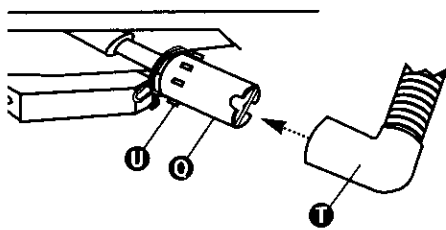
Route drain hose to avoid contact with motor, door springs, water line, cabinet or flooring. Insert a cloth, putty or caulking compound in hole around drain hose where hose passes through cabinet to help minimize vibration noise.

8.



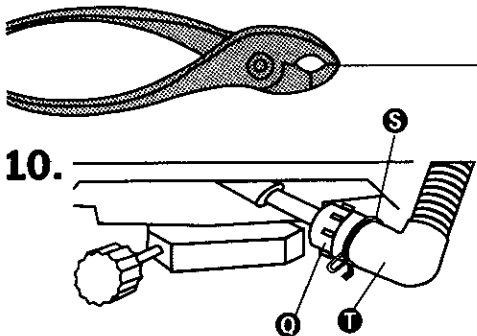
Place a shallow pan **P** (pie or cake pan) under drain connector **Q**. Remove drain hose connector cap **R**. Put the drain hose clamp **S** onto the connector.

9.



Push drain hose **T** onto connector **Q** up to the stops **U** on connector.

10.



Use pliers to open clamp **S** and slide clamp over drain hose **T** and connector **Q**. Release clamp and check that the drain hose is held securely on connector.

D. Secure Dishwasher

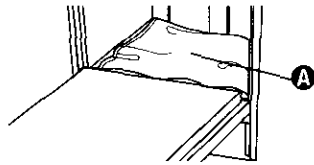
⚠ WARNING



Tip Over Hazard

Do not use dishwasher until completely installed.
Do not push down on open door. Doing so can result in serious injury or cuts.

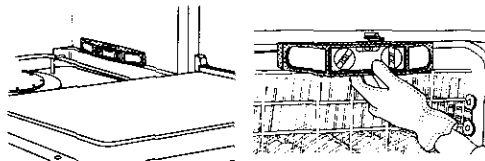
1.



Open dishwasher door and place towel **A** over pump assembly and spray arm of dishwasher. This will prevent screws from falling into pump area when securing dishwasher to countertop.



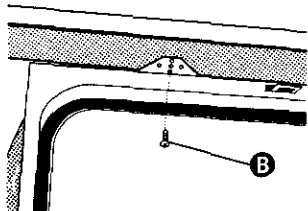
2.



Check that dishwasher is still level.



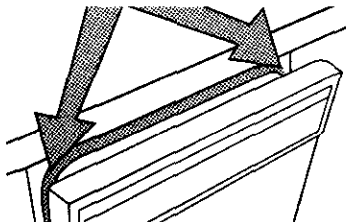
3.



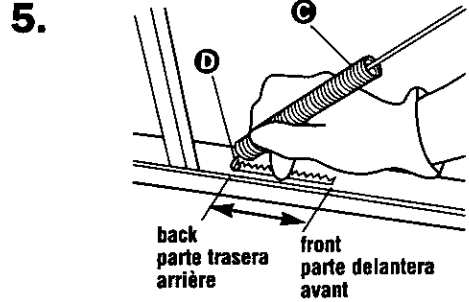
Secure dishwasher to countertop with two, No. 10 x 1/2" Phillips-head screws **B**. The dishwasher **MUST** be secured to keep it from tipping when door is opened. Do Not drop screws into bottom of dishwasher.



4.



Open door about 3 inches (7.6cm) and check that space between inner door and tub is equal on both sides. If spacing is not equal, loosen bracket screws and shift tub. Tighten bracket screws. Remove paper or towel from dishwasher.



Open and close the door several times. The door should open and close easily. If the door closes too quickly, decrease the spring **C** tension by moving the spring end **D** toward the front of the dishwasher. If the door falls open, increase the spring tension by moving the spring end toward the back of the dishwasher. Springs should be in the same notches on left and right sides.

E. Check Operation

1.

Read the Owner's Manual that came with your dishwasher.

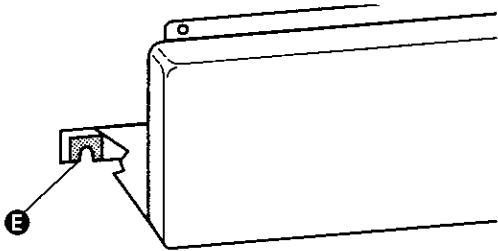
2.

Check that all parts have been installed and no steps were skipped. Check that you have all the tools you used.

3.

At fuse box or circuit breaker, turn on electrical power supply to dishwasher. Start dishwasher and allow it to complete the "Water Miser" cycle. Check that dishwasher is working properly and that there are no water leaks.

4.



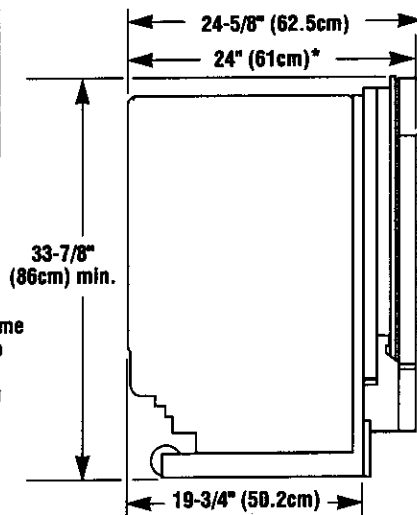
Check that grounding clip **E** is attached to the access panel. Put lower panel in place and start screws through lower panel holes and into dishwasher frame. Do not tighten. Slide access panel over and down onto screws. Reinstall screws through holes in top of access panel. Check that bottom edge of lower panel contacts the floor. Tighten lower access panel screws.

If dishwasher does not operate:

- ✓ Has the circuit breaker tripped or the house fuse blown?
- ✓ Is the door closed tightly and latched?
- ✓ Has the cycle been set correctly to start the dishwasher?
- ✓ Is the water turned on?

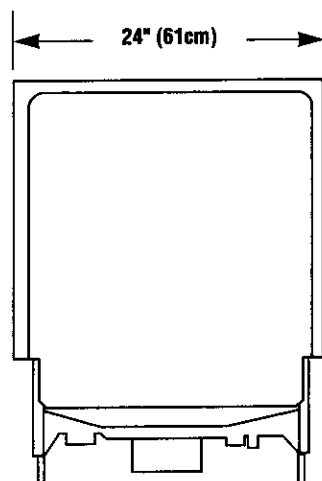
Product dimensions

Side view
Vista lateral
Vue latérale



* to front of door frame
* al frente del marco de la puerta
* jusqu'au devant du cadre de la porte

Back view
Vista trasera
Vue arrière



To customize your dishwasher:

If you want to:

Order the color accessory you need.

Call (U.S. only*)

Change door and access panel color

White - 675773

1-800-665-9978

Almond - 675774

1-800-665-9978

Install custom wood panels, you need a trim accessory that matches the dishwasher color

Black - 9743678

1-800-366-7278

White - 9743679

1-800-366-7278

Almond - 9743680

1-800-366-7278

If you have installation questions:

1-800-473-7247

*In Canada, call toll-free 1-800-665-4455 to order accessories or ask installation questions.