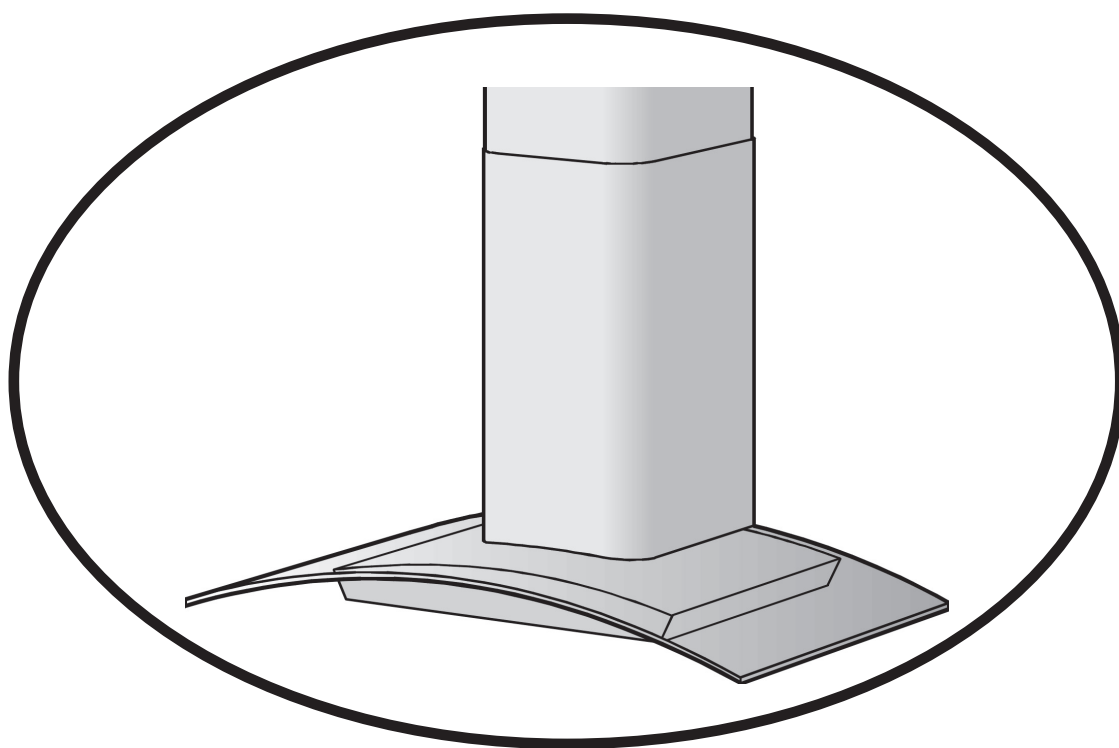


Use & Care Guide Installation Instructions

Vent Hood



 **Electrolux**

2 Finding Information

Attach your sales receipt to this page for future reference.

PLEASE READ AND SAVE THIS GUIDE

Thank you for choosing **Electrolux**, the new premium brand in home appliances. This *Use & Care Guide* is part of our commitment to customer satisfaction and product quality throughout the service life of your new hood.

We view your purchase as the beginning of a relationship. To ensure our ability to continue serving you, please use this page to record key product information.

IMPORTANT

PLEASE READ all instructions completely before attempting to install or operate the unit.

Once you have your unit installed, we suggest you keep this manual in a safe place for future reference. Should any problems occur, refer to the **Troubleshooting** section of this manual. This information will help you quickly identify a problem and get it remedied. In the event you require assistance, please contact the dealer where you purchased your unit.

MAKE A RECORD FOR QUICK REFERENCE

Whenever you call to request information or service, you will need to know your model number and serial number. You can find this information on the serial plate located on the inside wall of your unit and on the product registration card.

PRODUCT REGISTRATION INFORMATION

The package containing this manual also includes your product registration information. Warranty coverage begins at the time your Electrolux vent hood was purchased.

If you received a damaged product, immediately contact your dealer or builder. Do not install or use a damaged appliance.

NOTE

Registering your product with Electrolux enhances our ability to serve you. You can register online (at the Internet address below) or by dropping your Product Registration Card in the mail. Complete and mail the Product Registration Card as soon as possible to validate the registration date.

Please record the purchase date of your Electrolux unit and your dealer's name, address and telephone number.

Purchase Date

Electrolux Model Number

Electrolux Serial Number

Dealer Name

Dealer Address

Dealer Telephone

Keep this manual and the sales receipt together in a safe place for further reference.

QUESTIONS?

For toll-free telephone support in the U.S. and Canada:
1-877- 4ELECTROLUX (1-877-435-3287)

For online support and Internet product information:
www.electroluxusa.com

4 Finding Information

TABLE OF CONTENTS

Finding Information	2
Please Read And Save This Guide	2
Make A Record For Quick Reference	2
Questions.....	3
Table Of Contents.....	4
Safety	5
Important Safety Instructions	5
General Precautions	6
Getting Started	9
Operating Your Hood	9
Care and Cleaning	11
Cleaning Your Hood.....	11
Installation	12
Checking Contents	12
Installing the Ductwork.....	13
Installing the Electrical	13
Installing the Mounting Bracket.....	14
Installing the Flue Mounting Bracket.....	15
Preparing the Hood.....	16
Installing the Hood.....	18
Installing the Filters.....	20
Troubleshooting	21
If Service is Required.....	21
Troubleshooting Guide.....	22
Energy Saving Tips.....	23
Warranty Information	24


IMPORTANT SAFETY INSTRUCTIONS



Safety Precautions

Do not attempt to install or operate your unit until you have read the safety precautions in this manual. Safety items throughout this manual are labeled with a Warning or Caution based on the risk type.

Definitions

 This is the safety alert symbol. It is used to alert you to potential personal injury hazards. Obey all safety messages that follow this symbol to avoid possible injury or death.



WARNING

WARNING indicates a potentially hazardous situation which, if not avoided, could result in death or serious injury.



CAUTION

CAUTION indicates a potentially hazardous situation which, if not avoided, may result in minor or moderate injury.

CAUTION

CAUTION used without the safety alert symbol indicates a potentially hazardous situation which, if not avoided, may result in property damage.

IMPORTANT

Indicates installation, operation or maintenance information which is important but not hazard related.

6 Safety

General Precautions

WARNING

- To reduce the risk of a range top grease fire:
 - a) Never leave surface units unattended at high settings. Boilovers cause smoking and greasy spillovers that may ignite. Heat oils slowly on low or medium settings.
 - b) Always turn hood ON when cooking at high heat or when flambing food (i.e. Crepes Suzette, Cherries Jubilee, Peppercorn Beef Flambe’).
 - c) Clean ventilating fans frequently. Grease should not be allowed to accumulate on fan or filter.
 - d) Use proper pan size. Always use cookware appropriate for the size of the surface element.
- To reduce the risk of injury to persons in the event of a range top grease fire, observe the following:
 - a) **SMOTHER FLAMES** with a close-fitting lid, cookie sheet, or metal tray, then turn off the burner. **BE CAREFUL TO PREVENT BURNS.** If the flames do not go out immediately, **EVACUATE AND CALL THE FIRE DEPARTMENT.**
 - b) **NEVER PICK UP A FLAMING PAN** - You may be burned.
 - c) **DO NOT USE WATER**, including wet dishcloths or towels - a violent steam explosion will result.
 - d) Use an extinguisher **ONLY** if:
 - 1) You know you have a Class ABC extinguisher, and you already know how to operate it.
 - 2) The fire is small and contained in the area where it started.
 - 3) The fire department is being called.
 - 4) You can fight the fire with your back to an exit.
- To reduce the risk of fire, electric shock, or injury to persons, observe the following:
 - a) Use this unit only in the manner intended by the manufacturer. If you have questions, contact the manufacturer.
 - b) Unplug or disconnect this appliance from the power supply before servicing.
 - c) Installation work and electrical wiring must be done by a qualified person(s) in accordance with all applicable codes and standards, including fire-rated construction codes and standards.
 - d) Sufficient air is needed for proper combustion and exhausting of gases through the flue (chimney) of fuel burning equipment to prevent backdrafting. Follow the heating equipment manufacturer’s guidelines and safety standards such as those published by the National Fire Protection Association (NFPA), and the American Society for Heating, Refrigeration and Air Conditioning Engineers (ASHRAE), and the local code authorities.
 - e) When cutting or drilling into wall or ceiling, do not damage electrical wiring and other hidden utilities.
 - f) Ducted fans must always be vented to the outdoors.
 - g) Do not use this unit with any separate solid-state speed control device.
 - h) To reduce the risk of fire, use only metal ductwork.
 - i) This unit must be grounded.

CAUTION

- For general ventilating use only. Do not use to exhaust hazardous or explosive materials and vapors.
- Do not store items of interest to children above or at the back of the cooktop or vent, as they could climb on the appliance to reach items and be injured.

CAUTION

- Begin by ensuring proper installation and grounding of the hood by a qualified installer. Have the installer show you where the fuse or junction box is located so that you know how and where to turn off power.
- Always be certain that nothing will interfere with the vent intake.
- Use the vent system for its intended purpose only as outlined in this manual.
- Clean the filters and all grease-laden surfaces often to prevent grease fires and maintain performance.
- If the cooktop and hood are near a window, use an appropriate window treatment. Avoid long drapes or other window coverings that could blow over the cooktop and hood, resulting in a fire hazard.
- Always run the blower whenever a cooktop is operating.
- Never operate the hood without the filters in place.
- Do not operate the blower if a flame or flare-up develops. In the event of a flame, immediately turn off the blower. Smother the flame or use an appropriate class dry chemical or foam-type fire extinguisher.
- Never leave the appliance unattended when using high heat settings. Boil-overs and greasy spills may smoke and/or ignite.
- Do not leave children alone or unattended in the area where the cooktop and vent are in use. Never allow children to sit or stand on an appliance. Do not let children play with a cooktop or vent.
- Do not repair or replace any part of the vent system unless specifically recommended in literature accompanying this appliance. All service should be referred to a qualified technician.
- Do not use water on grease fires. A violent steam explosion may result. Also, avoid using wet potholders, sponges or clothes, as steam burn may occur.
- To reduce risk of fire and to properly exhaust air, be sure to duct air outside. Do not vent exhaust air into spaces within walls or ceilings or into attics, crawl spaces, or garages.
- Take care when using cleaning agents or detergents.
- Avoid using food products that produce flames under the Range Hood.
- For general ventilating use only. Do not use to exhaust hazardous or explosive materials and vapors.
- To avoid motor bearing damage and noisy and/or unbalanced impellers, keep drywall spray, construction dust, etc. off power unit.
- Your hood motor has a thermal overload which will automatically shut off the motor if it becomes overheated. The motor will restart when it cools down. If the motor continues to shut off and restart, have the hood serviced.

8 Safety

CAUTION

- For best capture of cooking impurities, the bottom of the hood should be a minimum of 24" and a maximum of 30" above the cooking surface. See "Install Mounting Bracket" section for mounting restrictions.
 - Two installers are recommended because of the large size and weight of this hood.
 - This product is equipped with a thermostat which may start blower automatically. To reduce the risk of injury and to prevent power from being switched on accidentally, switch power off at service panel and lock or tag service panel.
 - Please read specification label on product for further information and requirements.
-

OPERATING YOUR HOOD



IMPORTANT

Do not operate the vent system without the filters in place or with dirty, grease-laden filters.

Controls

The hood is operated using the (5) push-buttons located at eye-level, on the front edge of the hood.

The light switch turns the halogen lights on and off. Push the light switch once to turn the lights ON - push a second time to turn the lights ON to a brighter level - push a third time to turn the lights OFF.

The blower on-off / speed 1 switch turns the blower on to its lowest running speed. To turn OFF the blower, push in and hold this blower switch for approximately 2 seconds.

The blower speed 2 switch turns the blower on to medium-low running speed. Pressing this switch a second time sets a timer which keeps the blower operating at this speed for 10 minutes. The LED will blink during this time and the blower will shut off automatically.

The blower speed 3 and blower speed 4 switches operate the same as blower speed 2 switch except:

Blower speed 3 is medium-high and blower speed 4 is high.

After every 30 hours of operation, the LED above the “blower speed 1 switch” will be illuminated (RED) and blink for 30 seconds after turning off the blower. This is a reminder to clean the grease filters. Once the grease filters are cleaned and installed, press in and hold the “light switch” button for approximately 2 seconds during the blink of the LED.

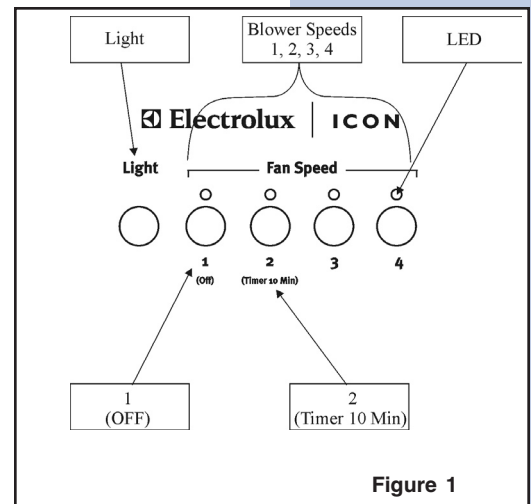


Figure 1

10 Operation

Halogen Bulbs

This range hood requires two halogen bulbs (Type JC, 12Volt, 20Watt Max, G-4 Base).

WARNING

Always switch off the electrical supply before carrying out any operation on the appliance.

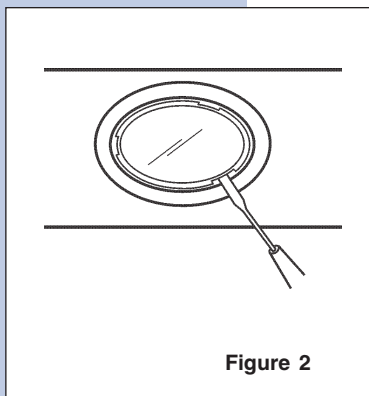


Figure 2

To change bulbs:

- 1 Open the cover by prying from the proper slots.
- 2 Remove the bulb by pulling sideways. (DO NOT ROTATE).
- 3 Replace with Type JC, 12Volt, 20 Watt Max, G-4 Base halogen bulb. Do not touch replacement bulb with bare hands!

CAUTION

Bulb may be hot.

Fuse Placement

CAUTION

Use of bulbs greater than 20 watts will cause the fuse to open.

IF LIGHTS FAIL TO OPERATE, DISCONNECT POWER AT THE SERVICE ENTRANCE. CHECK THE FUSE AND REPLACE IF NECESSARY.

- 1 Raise or remove the lower decorative flue. See Figure 3.
- 2 Remove the cover from the electrical box.
- 3 Unscrew the cap from the fuse holder and remove the fuse.
- 4 Replace the fuse with the same size and amperage (5 x 20mm, 4 amp, 125 volt).

CAUTION

Use of a fuse greater than 4 amps may damage the transformer.

- 5 Reinstall the fuse holder cap, electrical box cover and flue.
- 6 Reconnect power at the service entrance.

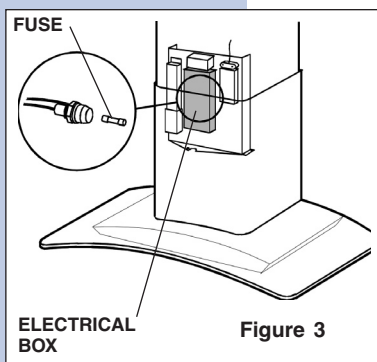


Figure 3

CARING FOR YOUR RANGE HOOD



Proper maintenance of the Range Hood will assure proper performance of the unit.

Grease Filters

The grease filters should be cleaned frequently. Use a warm detergent solution. Grease filters are dishwasher safe.

See “INSTALL FILTERS” section for removal and installation instructions.

Non-Ducted Recirculation Filter

The non-ducted recirculation filter should be changed every 6 months.

See “INSTALL FILTERS” section for removal and installation instructions.

Hood Cleaning

Stainless steel is one of the easiest materials to keep clean. Occasional care will help preserve its fine appearance.

Cleaning tips:

- Hot water with soap or detergent is all that is usually needed.
- Follow all cleaning by rinsing with clear water. Wipe dry with a clean, soft cloth to avoid water marks.
- For discolorations or deposits that persist, use a non-scratching household cleanser or stainless steel polishing powder with a little water and a soft cloth.
- For stubborn cases, use a plastic scouring pad or soft bristle brush together with cleanser and water. Rub lightly in direction of polishing lines or “grain” of the stainless finish. Avoid using too much pressure which may mar the surface.
- DO NOT allow deposits to remain for long periods of time.
- DO NOT use ordinary steel wool or steel brushes. Small bits of steel may adhere to the surface causing rust.
- DO NOT allow salt solutions, disinfectants, bleaches, or cleaning compounds to remain in contact with stainless steel for extended periods. Many of these compounds contain chemicals which may be harmful. Rinse with water after exposure and wipe dry with a clean cloth.

Painted surfaces should be cleaned with warm water and mild detergent only.

12 Installation

CHECK CONTENTS



Unpack hood and check contents.

You should receive:

- 1 - Hood
- 1 - Decorative Flue Assembly
- 1 - Parts Bag (B080810604) containing:
 - 1 - Mounting Bracket
 - 1 - Discharge Collar
 - 1 - Flue Mounting Bracket
 - 6 - Mounting Screws (4,8 x 38mm Pan Head)
 - 7 - Mounting Screws (3,9 x 9,5mm Pan Head)
 - 2 - Mounting Screws (3.9 x 6mm Flat Head)
 - 6 - Drywall Anchors
- 1 - Installation Instructions
- 1 - Warranty Card

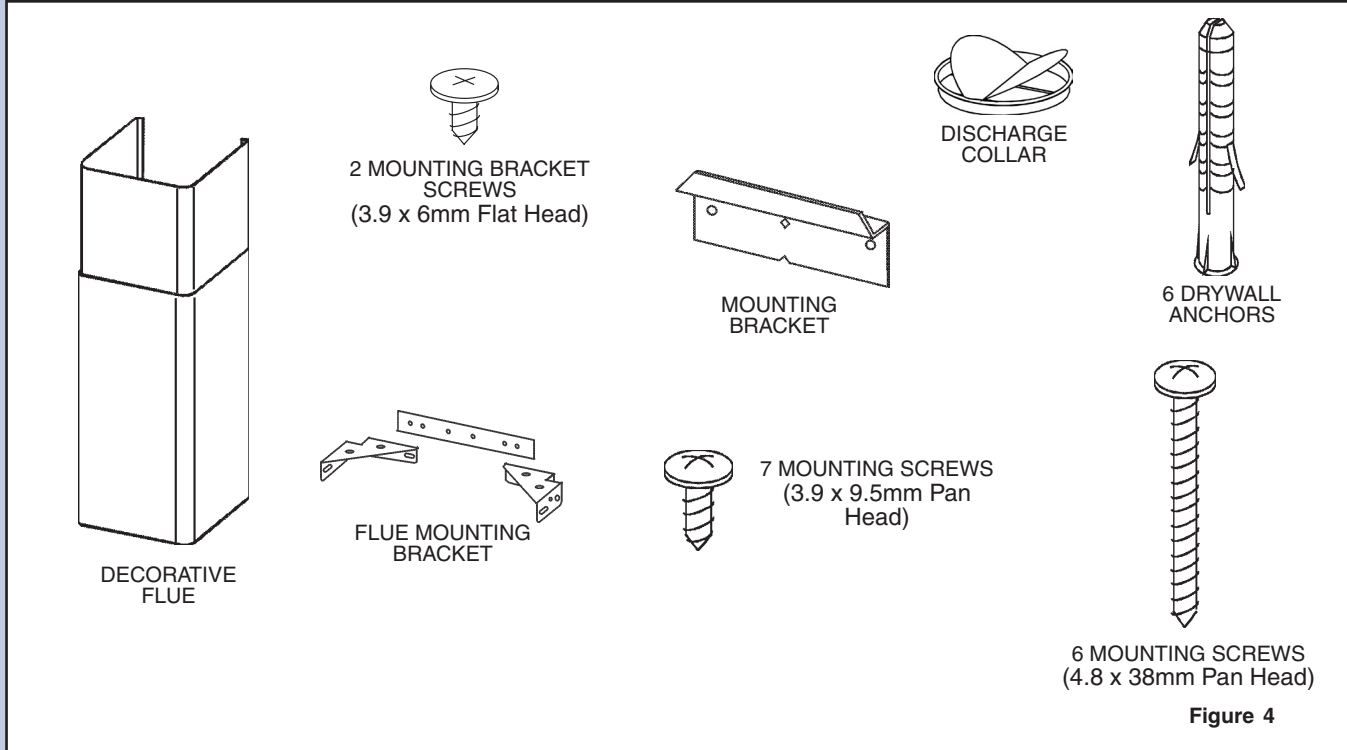


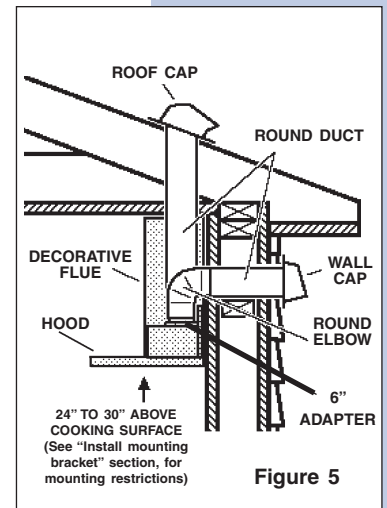
Figure 4

INSTALL THE DUCTWORK

CAUTION

To reduce the risk of fire, use only metal ductwork.

- 1 Decide where the ductwork will run between the hood and the outside.
- 2 A straight, short duct run will allow the hood to perform most efficiently.
- 3 Long duct runs, elbows, and transitions will reduce the performance of the hood. Use as few of them as possible. Larger ducting may be required for best performance with longer duct runs.
- 4 Install a roof or wall cap. Connect round metal ductwork to cap and work back towards hood location. Use duct tape to seal the joints between ductwork sections.

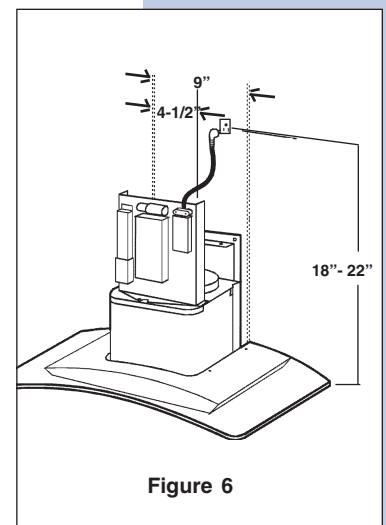


INSTALL THE ELECTRICAL

WARNING

Electrical wiring must be done by a qualified person(s) in accordance with all applicable codes and standards. This range hood must be properly grounded. Turn off electrical power at service entrance before wiring.

- 1 Plan where the hood will be located above the cook top. Refer to the "INSTALL MOUNTING BRACKET" section for hood mounting height options.
- 2 Install a standard 2" x 4" wall outlet box and 3-blade 125 volt, 15Amp grounded receptacle.
- 3 Mount the receptacle 18" to 22" above the bottom of the hood.
- 4 Locate the receptacle within boundary shown and off center of the ductwork (to allow for power cord plug and flue clearance).

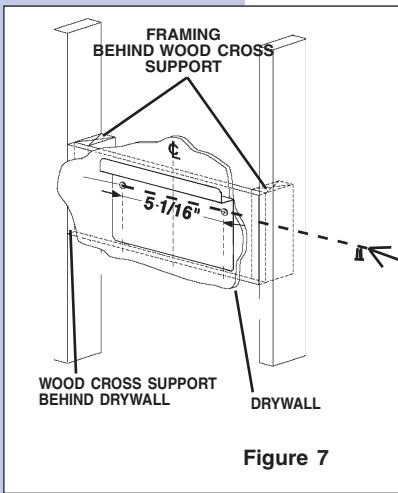


14 Installation

INSTALL THE MOUNTING BRACKET

Ducted and Non-Ducted Hoods

- 1 Construct wood wall framing that is flush with interior surface of wall studs. Make sure:
 - a the framing is centered over installation location.
 - b the height of the framing will allow the mounting bracket to be secured to the framing within the dimensions shown.
- 2 After wall surface is installed, secure the mounting bracket to framing with (2) 4.8x38mm mounting screws. See chart below for mounting bracket location.



CEILING HEIGHT	DUCT METHOD	HOOD DISTANCE ABOVE 36" HIGH COOKTOP (SEE NOTE BELOW)						
		24"	25"	26"	27"	28"	29"	30"
		MOUNTING BRACKET LOCATION ABOVE 36" HIGH COOKTOP						
8-FEET	DUCTED	37"	38"	39"	40"	41"		
	NON-DUCTED	37"	38"	39"	40"			
9-FEET	DUCTED OR NON-DUCTED	37"	38"	39"	40"	41"	42"	43"
10-FEET	DUCTED OR NON-DUCTED WITH EXWC45S			39"	40"	41"	42"	43"

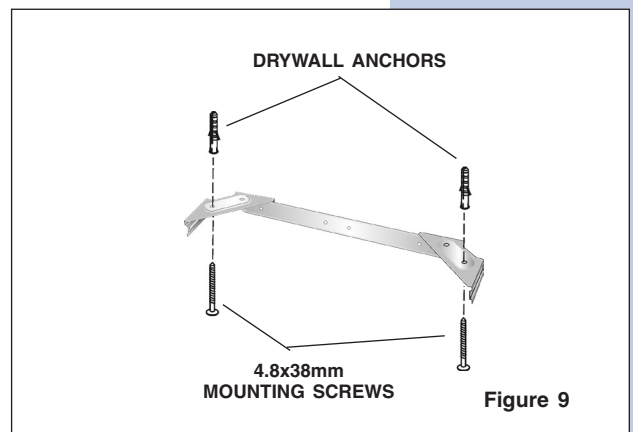
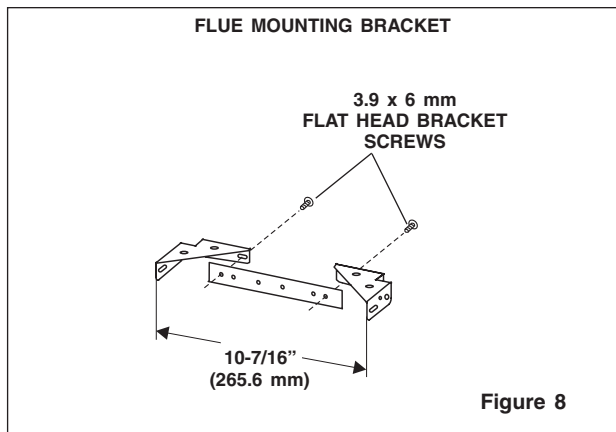
NOTE : Minimum hood distance above cook top must not be less than 24". A maximum of 30" above cook top is highly recommended for best capture of cooking impurities. Distances over 30" are at the installer and user's discretion; and if ceiling height and flue length permit.

INSTALL THE FLUE MOUNTING BRACKET



Ducted and Non-Ducted Hoods

- 1 Assemble the flue mounting bracket, adjusting outside width as shown. See Figure 8.
- 2 Carefully center the mounting bracket directly over the range hood location.
- 3 Secure the bracket assembly to the ceiling using (2) 4.8x38mm mounting screws and drywall anchors (Figure 9). Make sure the bracket is pushed into the corner, tight against the wall and centered over the hood.



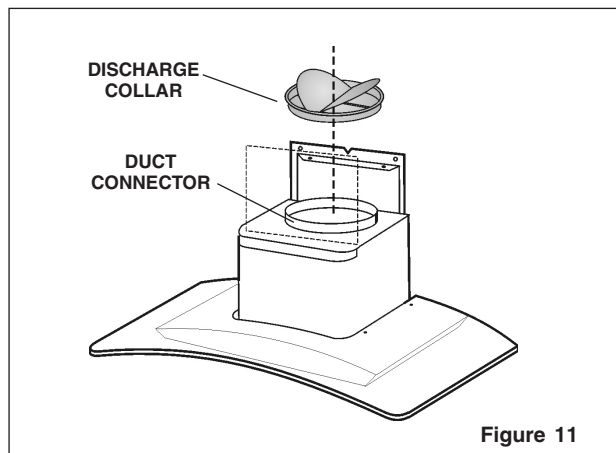
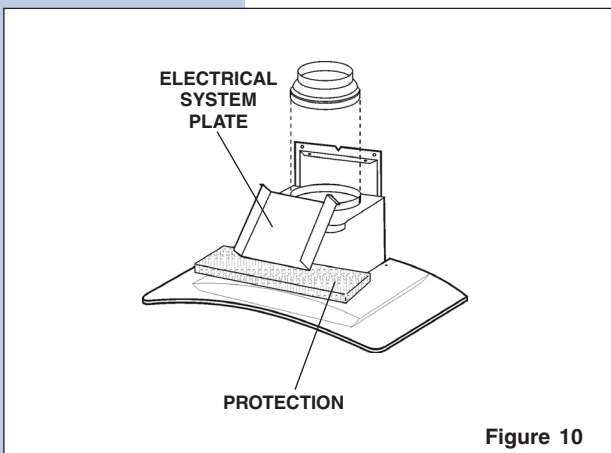
16 Installation

PREPARE THE HOOD

Note: On stainless steel hoods, carefully remove the plastic protective film from all exterior surfaces of the hood and decorative flues, prior to final installation.

Ducted Hoods Only

1. Remove the tape on the electrical system plate; place the electrical system plate on the hood (use a protection). Figure 10.



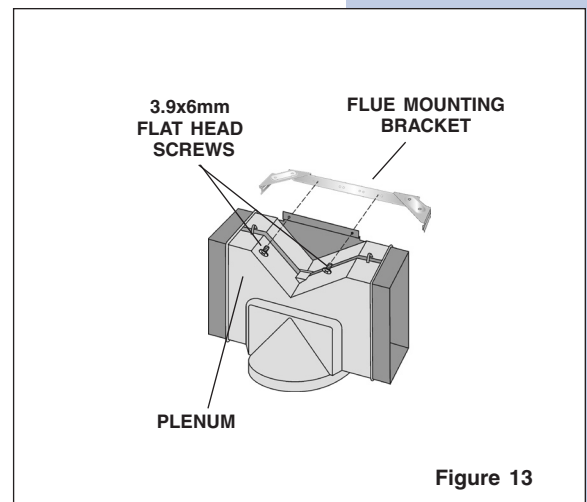
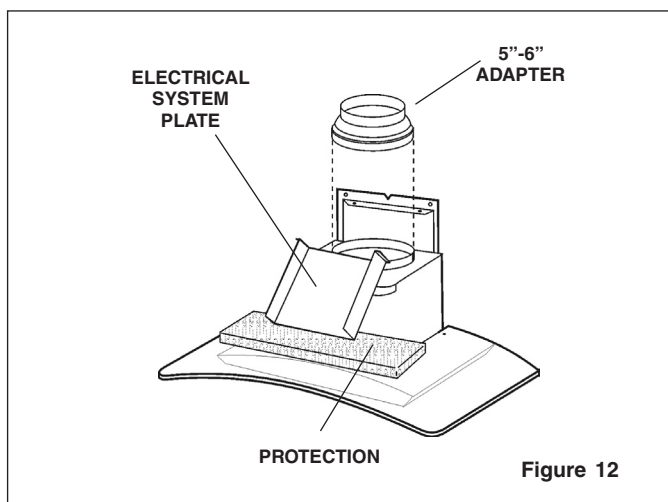
Non-Ducted Hoods Only

NOTE

The following materials must be purchased separately for non-ducted recirculation installations.

- Non-Ducted Recirculation Kit Model DFKTWC40EC.
- 5" diameter duct.

- 1 Remove the tape on the electrical system plate; place the electrical system plate on the hood (use a protection). Figure 12
- 2 Discard discharge collar/damper supplied with the hood. Install the 5" to 6" adapter supplied with the Non-Ducted Recirculation Kit.
- 3 Secure the plenum to the flue mounting bracket with (2) 3.9x6mm flat head screws (the screws are supplied with the Non-Ducted Recirculation Kit Model DFKTWC40EC). Figure 13.



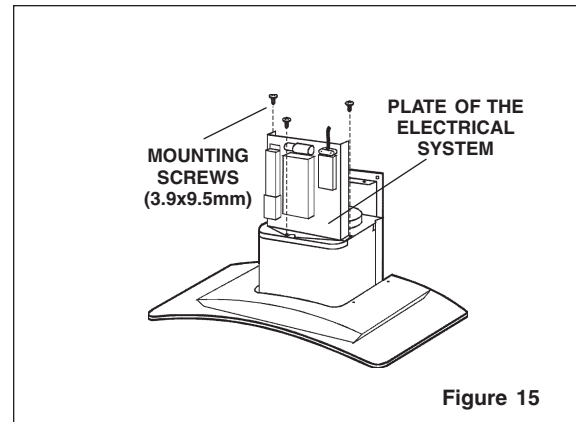
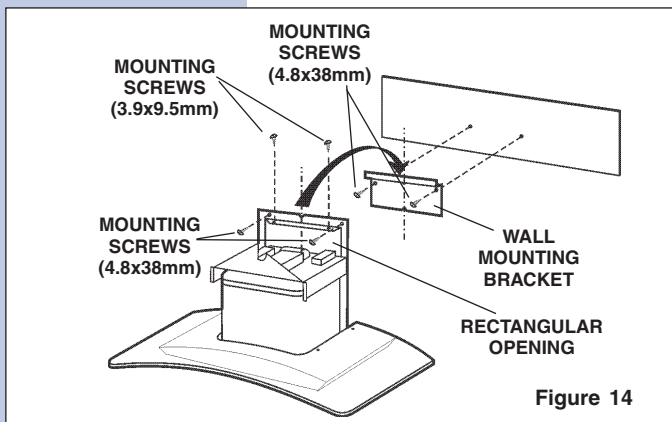
18 Installation

INSTALL THE HOOD

NOTE

At least two people will be required to mount the hood.

- 1 Raise the hood into its mounting position.
- 2 Align the rectangular opening on the back of the hood with the wall-mounting bracket. Gently lower the hood until it securely engages the bracket. Figure 14.
- 3 Level the hood with (2) 3.9x9.5mm mounting screws and secure with (2) 4.8x38mm mounting screws. Use drywall anchors provided if wall studs or framing are not available. Figure 14.
- 4 Mount the electrical system plate attaching it with (3) 3.9x9.5mm mounting screws. Figure 15.
- 5 On **ducted hoods**, attach 6" round metal duct between the hood's blower collar and duct that leads to the outside location.
- 6 On **non-ducted hoods**, attach 5" round metal expandable duct between the 5"-6" adapter on the hood the connector on the plenum.
- 7 Tape all duct joints to make them secure and air tight.
- 8 Plug the power cord into the electric wall receptacle. Tuck excess cord behind the flue.

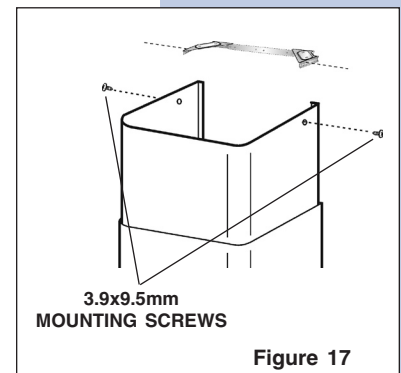
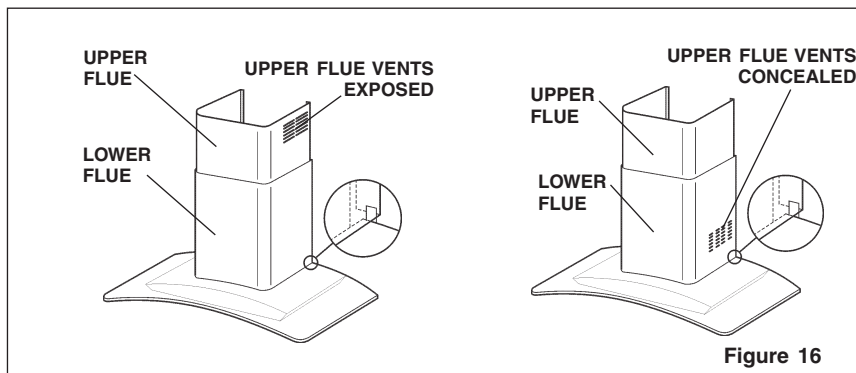


- 9** Carefully place the decorative flue on the hood. Figure 16.
- On ducted installation in rooms with 8-foot ceilings, the air vents are concealed. Install the flue with the air vents down.
 - On non-ducted installations in rooms with 8-foot ceilings, the air vents are exposed. Install the flue with the air vents up.
 - On ducted and non-ducted installations in rooms with 9-foot ceilings, the vents are exposed. Install the flue with air vents up.

Rooms with 10-Foot Ceilings

Rooms with 10-foot ceilings require flue extension model EXWC45S, available from your local dealer.

- 10** Discard the upper flue supplied with the product. Replace it with the flue extension EXWC45S.
- On ducted and non-ducted installations in rooms with 10-foot ceilings, the vents are exposed. Install the flue with air vents up.
- 11** Raise the upper flue until its holes align with holes in the flue mounting bracket (located on ceiling). Figure 17.
- 12** Secure the flue with (2) 3.9x9.5mm mounting screws. Figure 17.



20 Installation

INSTALL THE FILTERS

Ducted and Non-Ducted Hoods

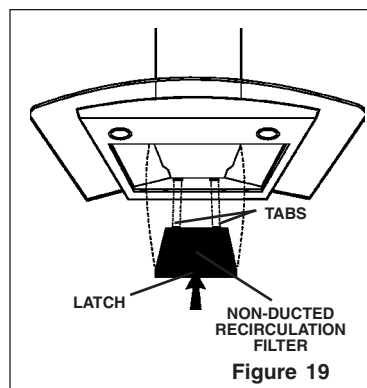
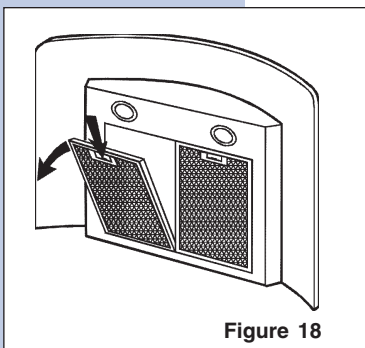
- 1 To remove the GREASE filter, push in on the metal latch tab and tilt filter downward to remove.
- 2 To install the GREASE filter, align rear filter tabs with slots in the hood. Depress the metal latch tab, push filter into position and release. Make sure filter is securely engaged after installation.

NOTE

Prior to use, remove protective film from the filter frame.

Non-Ducted Hoods Only

- 1 To remove the CHARCOAL filter, push in on the front filter latch. Pull the filter down to disengage the rear filter tabs.
- 2 To install the CHARCOAL filter, align the rear filter tabs with slots in the hood. Push the filter up into place until the front latch snaps securely into the slot. Make sure the filter is securely engaged after assembly.
- 3 Install GREASE filter after charcoal filter is installed.



IF SERVICE IS REQUIRED



First, review the recommended checks listed in the **Troubleshooting Guide**. Then, be certain that the appliance has been installed properly and is being operated correctly. Familiarize yourself with the warranty terms and conditions listed in the **Warranty** section.

If the above checks have been completed and the problem has not yet been remedied, contact the dealer where you purchased the unit. State the Model and Serial number and explain the problem. The Model and Serial number plate is located inside the unit at upper right hand corner.

If you do not know the name of the selling dealer or local service company, you can check online at www.electroluxusa.com.

22 Troubleshooting

TROUBLESHOOTING GUIDE

IMPORTANT

Unnecessary service calls may be expensive, frustrating and time consuming. Before you call for service, please review the potential problems, possible causes and remedies shown in the table below.

Troubleshooting - What to check when problems occur

Problem	Possible Cause	Remedy
Nothing works.	Vent power supply interrupted or not energized.	Have electrician check power supply, including house circuit breaker and fuses.
Lights do not turn on.	A loose or burned out light. Blown fuse.	Check the light. Check lamp fuse and replace if open.

ENERGY SAVING TIPS



- 1 Do not operate the blower at a speed that is higher than necessary to remove the cooking exhaust. Running at excessive speeds removes more air from the inside of the house that must be replaced by outside air. This may be especially costly when the housing air conditioning or heating system is in operation.
- 2 Clean filters and grease-laden surfaces often to improve efficiency.
- 3 Turn off the blower as soon as all cooking smoke and odors have been eliminated.
- 4 Always use lids on cookware to retain heat and moisture.
- 5 Minimize the amount of liquid used to cook food.
- 6 Select cookware of the proper size, material and construction for the cooking task being performed.

24 Warranty

HOOD WARRANTY *Your hood is protected by this warranty*

	WARRANTY PERIOD	THROUGH OUR AUTHORIZED SERVICERS, WE WILL:	THE CONSUMER WILL BE RESPONSIBLE FOR:
FULL ONE-YEAR WARRANTY	One year from original purchase date.	Pay all costs for repairing or replacing any parts of this product which prove to be defective in materials or workmanship.	Costs of service calls that are listed under NORMAL RESPONSIBILITIES OF THE CONSUMER.*
LIMITED WARRANTY (Applicable to the State of Alaska)	Time periods listed above.	All of the provisions of the full warranties above and the exclusions listed below apply.	Costs of the technician's travel to the home and any costs for pick up and delivery of the appliance required because of service.

In the U.S.A., your appliance is warranted by Electrolux Home Products, Inc. We authorize no person to change or add to any of our obligations under this warranty. Our obligations for service and parts under this warranty must be performed by us or an authorized Electrolux Home Products, Inc. servicer. In Canada, your appliance is warranted by Electrolux Canada Corp.

***NORMAL RESPONSIBILITIES OF THE CUSTOMER**

This warranty applies only to products in ordinary household use, and the consumer is responsible for the items listed below:

1. Proper use of the appliance in accordance with instructions provided with the product.
2. Proper installation by an authorized servicer in accordance with instructions provided with the appliance and in accordance with all local plumbing, electrical and/or gas codes.
3. Proper connection to a grounded power supply of sufficient voltage, replacement of blown fuses, repair of loose connections or defects in house wiring.
4. Expenses for making the appliance accessible for servicing, such as removal of trim, cupboards, shelves, etc., which are not a part of the appliance when it was shipped from the factory.
5. Damages to finish after installation.
6. Replacement of light bulbs and/or fluorescent tubes (on models with these features).

EXCLUSIONS

This warranty does not cover the following:

1. CONSEQUENTIAL OR INCIDENTAL DAMAGES SUCH AS PROPERTY DAMAGE AND INCIDENTAL EXPENSES RESULTING FROM ANY BREACH OF THIS WRITTEN OR ANY IMPLIED WARRANTY.
Note: Some states do not allow the exclusion or limitation of incidental or consequential damages, so this limitation or exclusion may not apply to you.
2. Service calls which do not involve malfunction or defects in workmanship or material, or for appliances not in ordinary household use. The consumer shall pay for such service calls.
3. Damages caused by services performed by servicers other than Electrolux Home Products, Inc., Electrolux Canada Corp., or its authorized servicers; use of parts other than genuine Electrolux Home Products parts; obtained from persons other than such servicers; or external causes such as abuse, misuse, inadequate power supply or acts of God.
4. Products with original serial numbers that have been removed or altered and cannot be readily determined.

IF YOU NEED SERVICE

Keep your bill of sale, delivery slip, or some other appropriate payment record. The date on the bill establishes the warranty period should service be required. If service is performed, it is in your best interest to obtain and keep all receipts. This written warranty gives you specific legal rights. You may also have other rights that vary from state to state. Service under this warranty must be obtained by contacting Electrolux Home Products, Inc. or Electrolux Canada Corp.

This warranty only applies in the 50 States of the U.S.A. and Puerto Rico, and Canada. Product features or specifications as described or illustrated are subject to change without notice. All warranties are made by Electrolux Home Products, Inc. In Canada, your appliance is warranted by Electrolux Canada Corp.

USA
1-877-4ELECTROLUX
 Electrolux Home Products, Inc.
 P.O. Box 212378
 Augusta, GA 30917

Canada
1-866-294-9911
 Electrolux Canada Corp.
 6150 McLaughlin Road
 Mississauga, Ontario
 L5R 4C2