



VP14MB & VP14ENC

Vandal Proof Loudspeaker System



VP14MB

VP14MB & VP14ENC General Description

More and more jobs in secured facilities are using surface mount raceways due to continual building expansions and retrofits. To accommodate for this, the VP14ENC includes an adapter to comply with Wiremold™ 500 and 700 series conduit. This adapter can be installed securely through any of the knockouts that are included on all four sides of the VP14ENC. This provides for a cleaner installation where surface mount raceways are required. All knockouts are finished completely flush before the enclosure is painted making them invisible to any would-be perpetrator.

The VP14MB vandal resistant slanted wall mount baffle, finished in attractive, neutral beige, is ideal for use in high-security areas such as schools and correctional facilities. It's sturdy, 14-gauge baffle construction and specially designed protective labyrinth screen protects the enclosed speaker assembly against abuse. Each package contains a high-quality 8" diameter loudspeaker with a 10-ounce ceramic magnet and pre-assembled 25V/70.7V transformer with five power taps factory pre-wired to the terminal block.

VP14MB & VP14ENC Architect And Engineer Specifications

The loudspeaker/transformer package shall be Atlas Sound Model VP14MB. The loudspeaker shall be a 8" (203mm) dia., dual cone type with frequency response of 50Hz to 18kHz (±10dB). Loudspeaker shall include a factory-wired 25/70.7V transformer with power taps of .25, .5, 1, 2, and 4 watts.

The baffle shall be treated 14-gauge steel finished in baked white powder epoxy. The system shall utilize an interior steel security screen between the speaker and baffle opening. VP14ENC shall measure 11.40" (290mm) high, 11.75" (298mm) wide and shall have a sloped depth of 5.29" (134mm) at the top down to 2.88" (73mm) depth at the bottom. The enclosure shall include (1) 7/8" (22mm) planished knockout on each side of the enclosure. Wiremold™ surface mount raceway shall be also compatible with the VP14ENC via the included adaptor. The enclosure shall be 16-gauge treated steel and shall be finished in baked powder epoxy.

VP14MB Features

- Attractive Design is Suitable for Use in a Variety of Surface-Mount Vandal Proof Applications
- Durable All-steel Construction
- Impermeable Security Grille Protects Speaker
- Attractive Finish
- Includes High-Quality 8" Loudspeaker with 25/70.7V Line Transformer
- Transformer Factory Pre-Wired to Terminal Block

VP14ENC Features

- Wiremold™ 500 & 700 Series Compatible
- Durable All-steel Construction
- Attractive Finish
- 9.5" Sloped Design Offers Directional Sound Projection



VP14ENC

VP14MB Loudspeaker Specifications

Size	8" (203mm)
Magnet Weight	10oz (142g) Ceramic
V.C. Diameter	1" (25mm)
Sensitivity	96dB 1W/1M
Watts (program)	15
Frequency Response	50Hz - 15kHz

VP14ENC Specifications

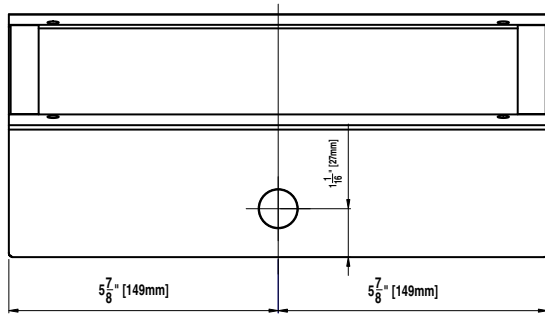
Slope	9.5°
Width	11.75" (298mm)
Height	11.40" (290mm)
Projects, Top	5.29" (134mm)
Projects, Bottom	2.88" (73mm)
Weight	5.5lbs (2.49kg)

VP14MB Transformer Specifications

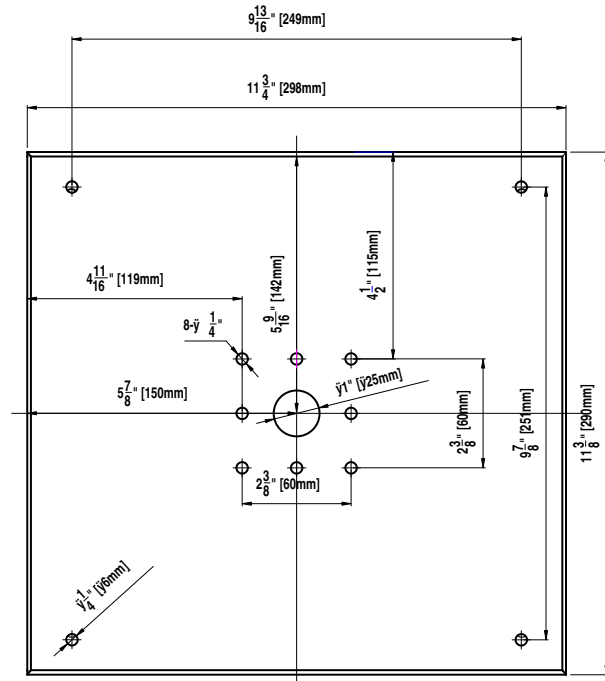
Primary Volts	25/70.7
Secondary	8Ω
Core Size	½" x ⅝" (13mm x 16mm)
Taps	¼, ½, 1, 2, & 4
Leads	Color Coded, Stripped & Tinned

Transformer Setup

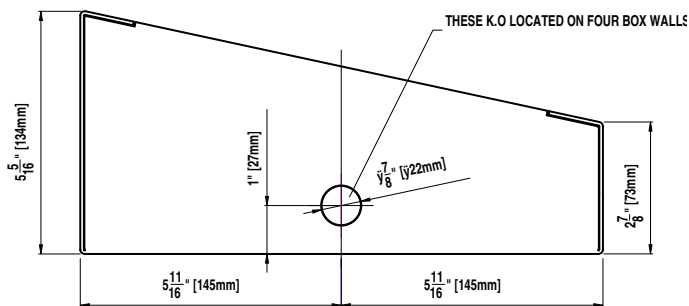
Tap Wattage	25V	70.7V
¼	Blue	Red
½	Brown	White
1	Green	Yellow
2	Violet	Blue
4	Orange	Brown
Common	Black	Black



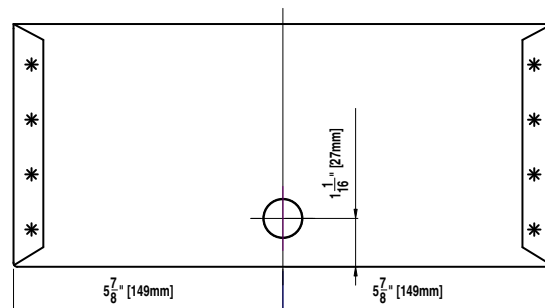
VP14ENC Bottom View



VP14ENC Rear View



VP14ENC Side View



VP14ENC Top View

VP14ENC Knock-Out Mounting Hole Locations